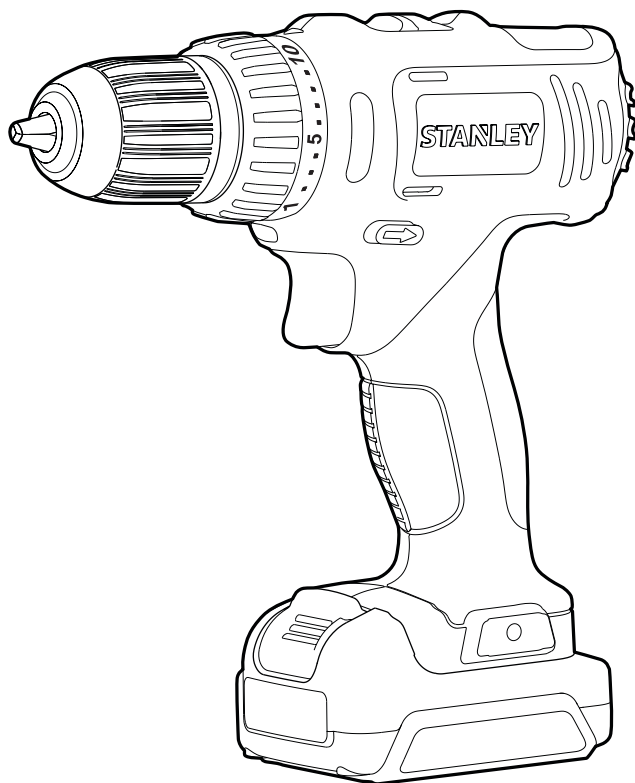


STANLEY®



SCD121

English (**original instructions**)

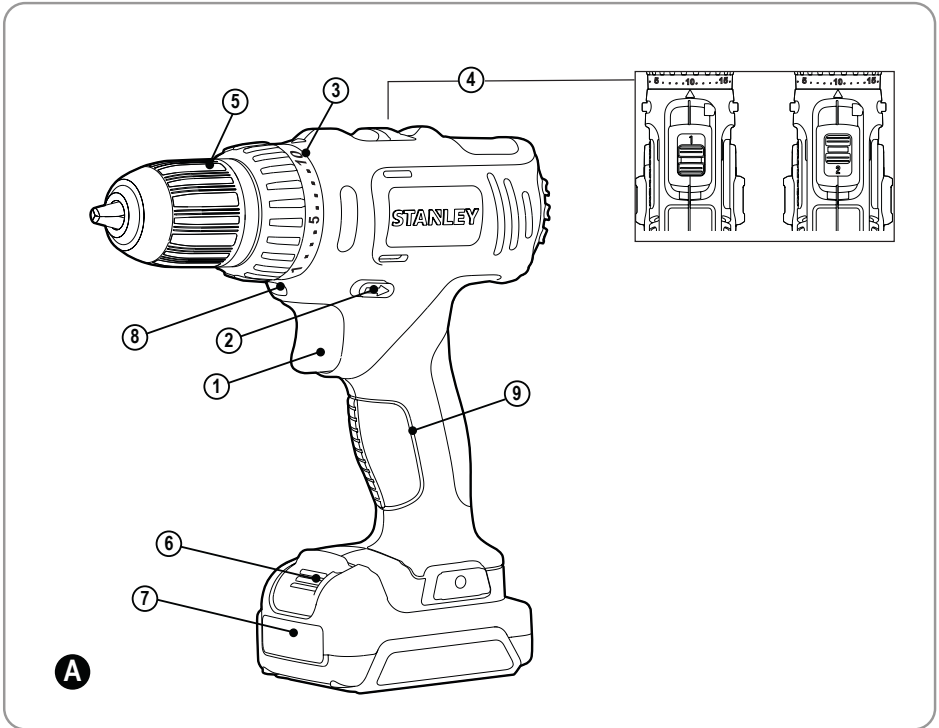
5

Русский (*перевод с оригинала инструкции*)

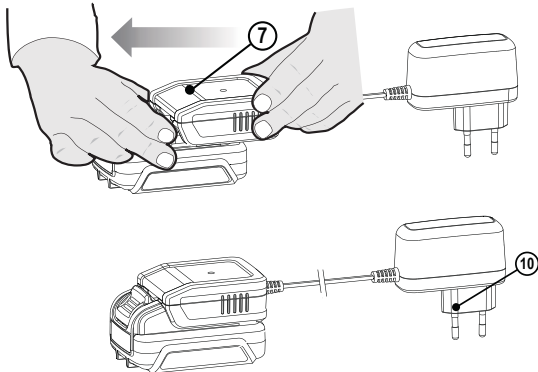
14

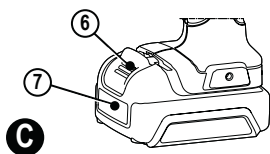
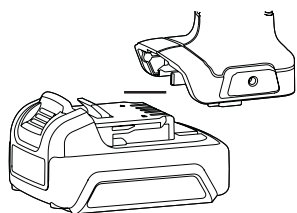
Українська (*переклад з оригінальної інструкції*)

29

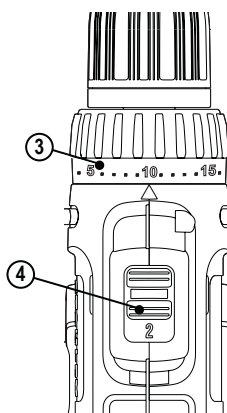


SC122

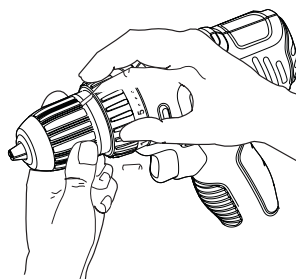




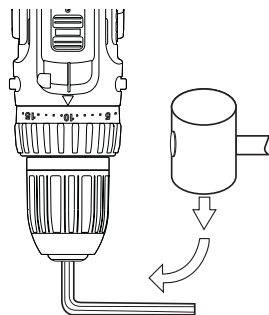
C



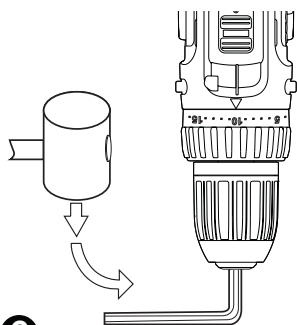
D



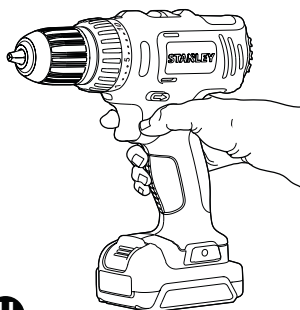
E



F



G



H

INTENDED USE

Your STANLEY SCD121 Li-Ion drill driver has been designed for light fastening and drilling applications. This tool is intended for professional use.

SAFETY INSTRUCTIONS

General power tool safety warnings



WARNING! Read all safety warnings, instructions, illustrations and specifications provided with this power tool. Failure to follow all instructions listed below may result in electric shock, fire and/or serious injury.

Save all warnings and instructions for future reference.

The term "power tool" in the warnings refers to your mains-operated (corded) power tool or battery-operated (cordless) power tool.

1. Work area safety

- a. **Keep work area clean and well lit.** Cluttered or dark areas invite accidents.
- b. **Do not operate power tools in explosive atmospheres, such as in the presence of flammable liquids, gases or dust.** Power tools create sparks which may ignite the dust or fumes.
- c. **Keep children and bystanders away while operating a power tool.** Distractions can cause you to lose control.

2. Electrical safety

- a. **Power tool plugs must match the outlet. Never modify the plug in any way.** Do not use any adapter plugs with earthed (grounded) power tools. Unmodified plugs and matching outlets will reduce risk of electric shock.
- b. **Avoid body contact with earthed or grounded surfaces such as pipes, radiators, ranges and refrigerators.** There is an increased risk of electric shock if your body is earthed or grounded.
- c. **Do not expose power tools to rain or wet conditions.** Water entering a power tool will increase the risk of electric shock.
- d. **Do not abuse the cord. Never use the cord for carrying, pulling or unplugging the power tool.** Keep cord away from heat, oil, sharp edges or moving parts. Damaged or entangled cords increase the risk of electric shock.
- e. **When operating a power tool outdoors, use an extension cord suitable for outdoor use.** Use of a cord suitable for outdoor use reduces the risk of electric shock.
- f. **If operating a power tool in a damp location is unavoidable, use a residual current device (RCD) protected supply.** Use of an RCD reduces the risk of electric shock.

3. Personal safety

- a. **Stay alert, watch what you are doing and use common sense when operating a power tool.** Do not use a power tool while you are tired or under the influence of drugs, alcohol or medication. A moment of

inattention while operating power tools may result in serious personal injury.

- b. **Use personal protective equipment.** Always wear eye protection. Protective equipment such as a dust mask, non-skid safety shoes, hard hat, or hearing protection used for appropriate conditions will reduce personal injuries.
 - c. **Prevent unintentional starting.** Ensure the switch is in the off-position before connecting to power source and/or battery pack, picking up or carrying the tool. Carrying power tools with your finger on the switch or energising power tools that have the switch on invites accidents.
 - d. **Remove any adjusting key or wrench before turning the power tool on.** A wrench or a key left attached to a rotating part of the power tool may result in personal injury.
 - e. **Do not overreach.** Keep proper footing and balance at all times. This enables better control of the power tool in unexpected situations.
 - f. **Dress properly.** Do not wear loose clothing or jewellery. Keep your hair and clothing away from moving parts. Loose clothes, jewellery or long hair can be caught in moving parts.
 - g. **If devices are provided for the connection of dust extraction and collection facilities, ensure these are connected and properly used.** Use of dust collection can reduce dust-related hazards.
 - h. **Do not let familiarity gained from frequent use of tools allow you to become complacent and ignore tool safety principles.** A careless action can cause severe injury within a fraction of a second.
- #### 4. Power tool use and care
- a. **Do not force the power tool. Use the correct power tool for your application.** The correct power tool will do the job better and safer at the rate for which it was designed.
 - b. **Do not use the power tool if the switch does not turn it on and off.** Any power tool that cannot be controlled with the switch is dangerous and must be repaired.
 - c. **Disconnect the plug from the power source and/or remove the battery pack, if detachable from the power tool before making any adjustments, changing accessories, or storing power tools.** Such preventive safety measures reduce the risk of starting the power tool accidentally.
 - d. **Store idle power tools out of the reach of children and do not allow persons unfamiliar with the power tool or these instructions to operate the power tool.** Power tools are dangerous in the hands of untrained users.
 - e. **Maintain power tools and accessories.** Check for misalignment or binding of moving parts, breakage of parts and any other condition that may affect the power tools operation. If damaged, have the power tool repaired before use. Many accidents are caused by poorly maintained power tools.
 - f. **Keep cutting tools sharp and clean.** Properly maintained cutting tools with sharp cutting edges are less likely to bind and are easier to control.

- g. **Use the power tool, accessories and tool bits etc.** in accordance with these instructions, taking into account the working conditions and the work to be performed. Use of the power tool for operations different from those intended could result in a hazardous situation.
- h. **Keep handles and grasping surfaces dry, clean and free from oil and grease.** Slippery handles and grasping surfaces do not allow for safe handling and control of the tool in unexpected situations.
- 5. **Battery tool use and care**
 - a. **Recharge only with the charger specified by the manufacturer.** A charger that is suitable for one type of battery pack may create a risk of fire when used with another battery pack.
 - b. **Use power tools only with specifically designated battery packs.** Use of any other battery packs may create a risk of injury and fire.
 - c. **When battery pack is not in use, keep it away from other metal objects, like paper clips, coins, keys, nails, screws, or other small metal objects, that can make a connection from one terminal to another.** Shorting the battery terminals together may cause burns or a fire.
 - d. **Under abusive conditions, liquid may be ejected from the battery; avoid contact.** If contact accidentally occurs, flush with water. If liquid contacts eyes, additionally seek medical help. Liquid ejected from the battery may cause irritation or burns.
 - e. **Do not use a battery pack or tool that is damaged or modified.** Damaged or modified batteries may exhibit unpredictable behaviour resulting in fire, explosion or risk of injury.
 - f. **Do not expose a battery pack or tool to fire or excessive temperature.** Exposure to fire or temperature above 130 °C may cause explosion.
 - g. **Follow all charging instructions and do not charge the battery pack or tool outside the temperature range specified in the instructions.** Charging improperly or at temperatures outside the specified range may damage the battery and increase the risk of fire.
- 6. **Service**
 - a. **Have your power tool serviced by a qualified repair person using only identical replacement parts.** This will ensure that the safety of the power tool is maintained.
 - b. **Never service damaged battery packs.** Service of battery packs should only be performed by the manufacturer or authorized service providers.

ADDITIONAL POWER TOOL SAFETY WARNINGS



WARNING! Additional safety warnings for drills/screwdrivers

- **Wear ear protectors when impact drilling.** Exposure to noise can cause hearing loss.
- **Use auxiliary handles supplied with the tool.** Loss of control can cause personal injury.
- **Hold power tool by insulated gripping surfaces when performing an operation where the cutting accessory may contact hidden wiring.** Cutting accessory contacting a "live" wire may make exposed

metal parts of the power tool "live" and could give the operator an electric shock.

- **Hold the power tool by insulated gripping surfaces, when performing an operation where the cutting accessory may contact hidden wiring.** Cutting accessory contacting a "live" wire may make exposed metal parts of the power tool "live" and could give the operator an electric shock.
- **Use clamps or another practical way to secure and support the workpiece to a stable platform.** Holding the work by hand or against your body leaves it unstable and may lead to loss of control.
- Before drilling into walls, floors or ceilings, check for the location of wiring and pipes.
- Avoid touching the tip of a drill bit just after drilling, as it may be hot.
- The intended use is described in this instruction manual. The use of any accessory or attachment or performance of any operation with this tool other than those recommended in this instruction manual may present a risk of personal injury and/or damage to property.

SAFETY INSTRUCTIONS WHEN USING LONG DRILL BITS

- a. **Never operate at higher speed than the maximum speed rating of the drill bit.** At higher speeds, the bit is likely to bend if allowed to rotate freely without contacting the workpiece, resulting in personal injury.
- b. **Always start drilling at low speed and with the bit tip in contact with the workpiece.** At higher speeds, the bit is likely to bend if allowed to rotate freely without contacting the workpiece, resulting in personal injury.
- c. **Apply pressure only in direct line with the bit and do not apply excessive pressure.** Bits can bend causing breakage or loss of control, resulting in personal injury.

SAFETY OF OTHERS

- This tool is not intended for use by persons (including children) with reduced physical, sensory or mental capabilities, or lack of experience and knowledge, unless they have been given supervision or instruction concerning use of the tool by a person responsible for their safety.
- Children should be supervised to ensure that they do not play with the appliance.

RESIDUAL RISKS

Additional residual risks may arise when using the tool which may not be included in the enclosed safety warnings. These risks can arise from misuse, prolonged use etc.

Even with the application of the relevant safety regulations and the implementation of safety devices, certain residual risks can not be avoided. These include:

- Injuries caused by touching any rotating/moving parts.
- Injuries caused when changing any parts, blades or accessories.
- Injuries caused by prolonged use of a tool. When using any tool for prolonged periods ensure you take regular breaks.

- Impairment of hearing.
- Health hazards caused by breathing dust developed when using your tool (example:- working with wood, especially oak, beech and MDF.)

ELECTRICAL SAFETY

The electric motor has been designed for one voltage only. Always check that the battery pack voltage corresponds to the voltage on the rating plate. Also make sure that the voltage of your charger corresponds to that of your mains.



Your STANLEY charger is double insulated in accordance with EN 60335; therefore no earth wire is required.

- If the supply cord is damaged, it must be replaced by a specially prepared cord available through the STANLEY service organisation.

USING AN EXTENSION CABLE

An extension cord should not be used unless absolutely necessary. Use an approved extension cable suitable for the power input of your charger (see Technical Data). The minimum conductor size is 1 mm²; the maximum length is 30 m.

When using a cable reel, always unwind the cable completely.

IMPORTANT SAFETY INSTRUCTIONS FOR ALL BATTERY CHARGERS

Save these instructions: This manual contains important safety and operating instructions for SC122 battery charger.

- Before using charger, read all instructions and cautionary markings on charger, battery pack, and product using battery pack.



WARNING: Shock hazard. Do not allow any liquid to get inside charger. Electric shock may result.



CAUTION: Burn hazard. To reduce the risk of injury, charge only STANLEY rechargeable batteries. Other types of batteries may burst causing personal injury and damage.



CAUTION: Children should be supervised to ensure that they do not play with the appliance.

NOTICE: Under certain conditions, with the charger plugged in to the power supply, the charger can be shorted by foreign material. Foreign materials of a conductive nature such as, but not limited to, grinding dust, metal chips, steel wool, aluminum foil, or any buildup of metallic particles should be kept away from charger cavities. Always unplug the charger from the power supply when there is no battery pack in the cavity. Unplug charger before attempting to clean.

- **DO NOT attempt to charge the battery pack with any chargers other than the ones in this manual.** The charger and battery pack are specifically designed to work together.
- **These chargers are not intended for any uses other than charging STANLEY rechargeable batteries.** Any other uses may result in risk of fire, electric shock or electrocution.
- **Do not expose charger to rain or snow.**
- **Pull by plug rather than cord when disconnecting**

charger. This will reduce risk of damage to electric plug and cord.

- **Make sure that cord is located so that it will not be stepped on, tripped over, or otherwise subjected to damage or stress.**
- **Do not use an extension cord unless it is absolutely necessary.** Use of improper extension cord could result in risk of fire, electric shock, or electrocution.
- **Do not place any object on top of charger or place the charger on a soft surface that might block the ventilation slots and result in excessive internal heat.** Place the charger in a position away from any heat source. The charger is ventilated through slots in the top and the bottom of the housing.
- **Do not operate charger with damaged cord or plug** — have them replaced immediately.
- **Do not operate charger if it has received a sharp blow, been dropped, or otherwise damaged in any way.** Take it to an authorised service centre.
- **Do not disassemble charger; take it to an authorised service centre when service or repair is required.** Incorrect reassembly may result in a risk of electric shock, electrocution or fire.
- In case of damaged power supply cord the supply cord must be replaced immediately by the manufacturer, its service agent or similar qualified person to prevent any hazard.
- **Disconnect the charger from the outlet before attempting any cleaning. This will reduce the risk of electric shock.** Removing the battery pack will not reduce this risk.
- **NEVER** attempt to connect 2 chargers together.
- **The charger is designed to operate on standard household electrical power. Do not attempt to use it on any other voltage. This does not apply to the vehicular charger.**

Charger

The SC122 charger accept 12V Max / 10.8V Li-Ion batteries. The charger require no adjustment and are designed to be as easy as possible to operate.

LABELS ON TOOL

The following symbols are shown on the tool along with the date code:



WARNING! To reduce the risk of injury, the user must read the instruction manual.



Always wear safety goggles



Always wear safety hearing protection



Visible radiation. Do not stare into light.

Position of date code

The Date Code, which also includes the year of manufacture, is printed into the housing.

Example:

2021 XX JN
Year of manufacturing

PACKAGE CONTAINS

The package contains:

- 1 Drill/driver
- 1 Charger
- 2 Batteries (S2) or 1 Battery (S1)
- 1 Instruction manual
- Check for damage to the tool, parts or accessories which may have occurred during transport.
- Take the time to thoroughly read and understand this manual prior to operation.

FEATURES (FIG A)

This appliance includes some or all of the following features.

1. Trigger switch
2. Forward/reverse button
3. Torque adjustment collar
4. Gear shifter
5. Keyless chuck
6. Battery release button
7. Battery pack
8. LED worklight

ASSEMBLY



WARNING! Before assembly, remove the battery from the tool.

Charging procedure (Fig. B)

- Plug the charger (10) into an appropriate outlet before inserting battery pack.
- Insert the battery pack (7) into the charger. The charging light will blink continuously indicating that the charging process has started.
- The completion of charge will be indicated by the charging light remaining ON continuously. The pack is fully charged and may be used at this time or left in the charger.

NOTE: To ensure maximum performance and life of Li-Ion batteries, charge the battery pack fully before first use.

Charging Process

Refer the tables below for the state of charge of the battery pack.

State of charge		SC122
charging	-----	green blink
fully charged	=====	green light
hot/cold battery	-----	red blink
damaged battery	red flash

Hot/Cold pack delay

The SC122 charger have a hot/cold delay feature. When the charger detects a battery that is hot, it automatically delays charging until the battery has cooled. When the charger detects a battery that is cold, it automatically delays charging until the battery has warmed. The red light will continue to blink and can't start to charging procedure. once the battery has cooled, the charger will resume the charging procedure.

Damaged battery

The charger can detect a weak or damaged battery. The red LED flashes in the pattern indicated on the label. If you see this damaged battery blink pattern, do not continue to charge the battery. Return it to a service center or a collection site for recycling.

Electronic protection system

STANLEY Li-Ion batteries are designed with an Electronic Protection System that will protect the battery against overloading, overheating or deep discharge.

The tool will automatically turn off if the Electronic Protection System engages. If this occurs, place the Li-Ion battery on the charger until it is fully charged.

Important safety instructions for all battery packs

When ordering replacement battery packs, be sure to include catalog number and voltage.

The battery pack is not fully charged out of the carton.

Before using the battery pack and charger, read the safety instructions below. Then follow charging procedures outlined.

Read all instructions

- **Do not charge or use battery in explosive atmospheres, such as in the presence of flammable liquids, gases or dust.** Inserting or removing the battery from the charger may ignite the dust or fumes.
- **Never force battery pack into charger. Do not modify battery pack in any way to fit into a non-compatible charger as battery pack may rupture causing serious personal injury.**
- Charge the battery packs only in STANLEY chargers.
- **DO NOT** splash or immerse in water or other liquids.
- **Do not store or use the tool and battery pack in locations where the temperature may reach or exceed 40 °C (105 °F) (such as outside sheds or metal buildings in summer).**



WARNING: Never attempt to open the battery pack for any reason. If battery pack case is cracked or damaged, do not insert into charger.

Do not crush, drop or damage battery pack. Do not use a battery pack or charger that has received a sharp blow, been dropped, run over or damaged in any way (i.e., pierced with a nail, hit with a hammer, stepped on). Electric shock or electrocution may result. Damaged battery packs should be returned to service centre for recycling.



CAUTION: When not in use, place tool on its side on a stable surface where it will not cause a tripping or falling hazard. Some tools with large

battery packs will stand upright on the battery pack but may be easily knocked over.

Specific safety instructions for lithium ion (Li-Ion)

- **Do not incinerate the battery pack even if it is severely damaged or is completely worn out.** The battery pack can explode in a fire. Toxic fumes and materials are created when lithium ion battery packs are burned.
- **If battery contents come into contact with the skin, immediately wash area with mild soap and water.** If battery liquid gets into the eye, rinse water over the open eye for 15 minutes or until irritation ceases. If medical attention is needed, the battery electrolyte is composed of a mixture of liquid organic carbonates and lithium salts.

Liquid organic carbonates and lithium salts.

- **Contents of opened battery cells may cause respiratory irritation.** Provide fresh air. If symptoms persists, seek medical attention.



WARNING: Burn hazard. Battery liquid may be flammable if exposed to spark or flame.

Transportation

STANLEY batteries comply with all applicable shipping regulations as prescribed by industry and legal standards which include UN Recommendations on the Transport of Dangerous Goods; International Air Transport Association (IATA) Dangerous Goods Regulations, International Maritime Dangerous Goods (IMDG) Regulations, and the European Agreement Concerning The International Carriage of Dangerous Goods by Road (ADR). Lithium-ion cells and batteries have been tested to section 38.3 of the UN Recommendations on the Transport of Dangerous Goods Manual of Tests and Criteria. In most instances, shipping a STANLEY battery pack will be excepted from being classified as a fully regulated Class 9 Hazardous material. In general, the two instances that require shipping Class 9 are:

1. Air shipping more than two STANLEY lithium-ion battery packs when the package contains only battery packs (no tools), and
2. Any shipment containing a lithium-ion battery with an energy rating greater than 100 watt hours (Wh). All lithiumion batteries have the watt hour rating marked on the pack.

Regardless of whether a shipment is considered excepted or fully regulated, it is the shipper's responsibility to consult the latest regulations for packaging, labeling/marketing and documentation requirements.

Transporting batteries can possibly cause fire if the battery terminals inadvertently come in contact with conductive materials. When transporting batteries, make sure that the battery terminals are protected and well insulated from materials that could contact them and cause a short circuit.

The information provided in this section of the manual is provided in good faith and believed to be accurate at the time the document was created. However, no warranty, expressed or implied, is given. It is the buyer's responsibility to ensure that its activities comply with the applicable regulations.

Battery pack**Battery type**

The SCD121 operates on a 12V Max as well as 10.8V battery packs.

Storage recommendations

1. The best storage place is one that is cool and dry away from direct sunlight and excess heat or cold. For optimum battery performance and life, store battery packs at room temperature when not in use.
2. For long storage, it is recommended to store a fully charged battery pack in a cool, dry place out of the charger for optimal results.

NOTE: Battery packs should not be stored completely depleted of charge. The battery pack will need to be recharged before use.

Labels on charger and battery pack

In addition to the pictographs used in this manual, the labels on the charger and the battery pack may show the following pictographs:



Read instruction manual before use.



See Technical Data for charging time.



Battery charging.



Battery charged.



Battery defective.



Hot/cold pack delay.



Do not probe with conductive objects.



Do not charge damaged battery packs.



Do not expose to water.



Have defective cords replaced immediately.



Charge only between 4 °C and 40 °C.



Only for indoor use.



Discard the battery pack with due care for the environment.



Charge STANLEY battery packs only with

SC122/SC121

designated STANLEY chargers. Charging battery packs other than the designated STANLEY batteries with a STANLEY charger may make them burst or lead to other dangerous situations.



Do not incinerate the battery pack.

ASSEMBLY AND ADJUSTMENTS



WARNING: Prior to assembly and adjustment, always remove the battery pack. Always switch off the tool before inserting or removing the battery pack.



WARNING: Use only STANLEY battery packs and chargers.

Inserting and removing the battery pack from the tool (Fig C)



WARNING: To reduce the risk of serious personal injury, place the forward/reverse button in the lock-off position or turn tool off and disconnect battery pack before making any adjustments or removing/installing attachments or accessories. An accidental start-up can cause injury.

NOTE: Make sure your battery pack (6) is fully charged.

To install the battery pack into the tool handle

1. Align the battery pack with the rails inside the handle.
2. Slide it firmly into place until you hear the lock snap into place.

To remove the battery pack from the tool

1. Press the release button (5) and firmly pull the battery pack out of the tool handle.
2. Insert battery pack into the charger as described in the charger section of this manual.

USE

Proper hand position (Fig A, H)



WARNING: To reduce the risk of serious personal injury, **ALWAYS** use proper hand position as shown.



WARNING: To reduce the risk of serious personal injury, **ALWAYS** hold securely in anticipation of a sudden reaction. Proper hand position requires one hand on the main handle (9).

Selecting the direction of rotation (Fig D)

For tightening, use forward (clockwise) rotation. For loosening, use reverse (counterclockwise) rotation.

- To select forward rotation, push the forward/reverse slider (2) to the left.
- To select reverse rotation, push the forward/reverse slider to the right.
- To lock the tool, set the forward/reverse slider into the centre position.
- When changing the position of the control button, be sure the trigger is released.

Trigger switch (Fig A)

To turn the tool on, squeeze the trigger switch (1). To turn the tool off, release the trigger switch. Your tool is equipped with a brake. The chuck will stop when the trigger switch is fully released.

The variable speed switch enables you to select the best speed for a particular application. The further you squeeze the trigger, the faster the tool will operate. For maximum tool life, use variable speed only for starting holes or fasteners

NOTE: Continuous use in variable speed range is not recommended. It may damage the switch and should be avoided.

Torque adjustment collar (Fig. A,D)

The torque adjustment collar (3) is clearly marked with numbers and a drill bit symbol. The collar should be rotated until the desired setting is located at the top of the tool. Locators are provided in the collar to eliminate the guess work when selecting fastening torque.

The higher the number on the collar, the higher the torque and the larger the fastener which can be driven. To lock the clutch for drilling operations, move to the drill bit position.

NOTE: When using the drill/driver for drilling holes, be sure that the torque adjusting collar is set so the figure of the drill is aligned with the center line on the top of the tool. Failure to do this will allow the clutch to slip while attempting to drill.

Gear shifter (Fig A, D)

The dual range feature of your driver/drill allows you to shift gears for greater versatility.

To select the low speed, high torque setting, turn the tool off and permit to stop. Slide the gear shifter (4) forward (towards the chuck). To select the high speed, low torque setting, turn the tool off and permit to stop. Slide the gear shifter back (away from chuck).

NOTE: Do not change gears when the tool is running. If you are having trouble changing gears, make sure that the dual range gear shifter is either completely pushed forward or completely pushed back.

LED work light

The LED work light (8) is located under the the torque adjustment collar (3) and is activated automatically when the trigger is depressed. The LED work light will illuminate when the trigger is partially depressed, before the unit begins running.

NOTE: The LED worklight is for lighting the immediate work surface and is not intended to be used as a flashlight.

Keyless chuck (Fig E)

Your tool features a keyless chuck with one rotating sleeve for one-handed operation of the chuck. To insert a drill bit or other accessory, follow these steps.

1. Lock the trigger in the OFF position as previously described.
2. Grasp the black sleeve of the chuck with one hand and use the other hand to secure the tool. Rotate the sleeve counterclockwise far enough to accept the desired accessory.
3. Insert the accessory about 19 mm (3/4") into the chuck and tighten securely by rotating the chuck sleeve clockwise with one hand while holding the tool with the

other. Your tool is equipped with an automatic spindle lock mechanism. This allows you to open and close the chuck with one hand. To release the accessory, repeat step 2 above.



WARNING: Do not attempt to tighten drill bits (or any other accessory) by gripping the front part of the chuck and turning the tool on. Damage to the chuck and personal injury may result. Always lock off trigger switch when changing accessories.

Be sure to tighten chuck with one hand on the chuck sleeve and one hand holding the tool for maximum tightness.

Chuck removal (Fig F)

Turn the adjustment collar to the “drill” position and gear shifter to position 1 (low speed). Tighten the chuck around the shorter end of a hex key (not supplied) of 6.35 mm (1/4”) or greater size. Using a wooden mallet or similar object, strike the longer end in the clockwise direction, as shown. This will loosen the screw inside the chuck.

Open chuck jaws fully, insert screwdriver (or Torx tool if required) into front of chuck between jaws to engage screw head. Remove screw by turning clockwise (left-hand-thread). Place hex key in chuck and tighten, as shown in Figure F. Using a wooden mallet or similar object, strike key sharply in the counterclockwise direction. This will loosen the chuck so that it can be unscrewed by hand.

Chuck installation (Fig G)

Screw the chuck on by hand as far as it will go and insert screw (left-hand thread). Tighten screw securely. Tighten the chuck around the shorter end of a 6.35 mm (1/4”) or larger hex key (not supplied) strike the longer end in the clockwise direction with a wooden mallet, as shown. Tighten the screw once again by turning in a counterclockwise direction.

Drill operation



WARNING: To reduce the risk of serious personal injury, turn tool off and disconnect tool from power source before making any adjustments or removing/installing attachments or accessories.



WARNING: To reduce the risk of personal injury, ALWAYS ensure workpiece is anchored or clamped firmly. If drilling thin material, use a wood “back-up” block to prevent damage to the material.

Turn the collar to the drill bit symbol for drilling. Select the desired speed/torque range using the gear shifter to match the speed and torque to the planned operation.

- 1 Use sharp drill bits only. For WOOD, use twist drill bits, spade bits, or hole saws. For METAL, use high-speed steel (HSS) twist drill bits or hole saws.
- 2 Always apply pressure in a straight line with the bit. Use enough pressure to keep drill biting, but do not push hard enough to stall the motor or deflect the bit.
- 3 Hold tool firmly with both hands to control the twisting action of the drill.



WARNING: The drill may stall if overloaded causing a sudden twist. Always expect the stall. Grip the drill firmly with both hands to control the twisting action and avoid injury.

- 4 IF DRILL STALLS, it is usually because it is being overloaded or improperly used. **RELEASE TRIGGER IMMEDIATELY**, remove drill bit from work, and

determine cause of stalling. **DO NOT CLICK TRIGGER ON AND OFF IN AN ATTEMPT TO START A STALLED DRILL — THIS CAN DAMAGE THE DRILL.**

- 5 To minimize stalling or breaking through the material, reduce pressure on drill and ease the bit through the last fractional part of the hole. Keep the motor running when pulling the bit back out of a drilled hole. This will help prevent jamming.
- 6 With variable speed drills there is no need to center punch the point to be drilled. Use a slow speed to start the hole and accelerate by squeezing the trigger harder when the hole is deep enough to drill without the bit skipping out.

Operation as a screwdriver

Select the desired speed/torque range using the dual range gear shifter on the top of tool to match the speed and torque to the planned operation. Insert the desired fastener accessory into the chuck as you would any drill bit. Make a few practice runs in scrap or unseen areas to determine the proper position of the clutch cover.

Maximum recommended capacities

	Low Range-1	Low Range-2
Bits, Metal, Drilling	6.00 mm	3.00 mm
Wood, Flat, Boring	19.00 mm	12.00 mm
Hole Saws	19.00 mm	16.00 mm

MAINTENANCE

Your STANLEY power tool has been designed to operate over a long period of time with a minimum of maintenance. Continuous satisfactory operation depends upon proper tool care and regular cleaning.



WARNING: To reduce the risk of serious personal injury, place the forward/reverse button in the lockoff position or turn tool off and disconnect battery pack before making any adjustments or removing/installing attachments or accessories. An accidental start-up can cause injury.

The charger and battery pack are not serviceable. There are no serviceable parts inside.



Lubrication

Your power tool requires no additional lubrication.



Cleaning



WARNING: Blow dirt and dust out of the main housing with dry air as often as dirt is seen collecting in and around the air vents. Wear approved eye protection and approved dust mask when performing this procedure.



WARNING: Never use solvents or other harsh chemicals for cleaning the non-metallic parts of the tool. These chemicals may weaken the materials used in these parts. Use a cloth

dampened only with water and mild soap. Never let any liquid get inside the tool; never immerse any part of the tool into a liquid.

Charger cleaning instructions



WARNING: Shock hazard. Disconnect the charger from the AC outlet before cleaning. Dirt and grease may be removed from the exterior of the charger using a cloth or soft non-metallic brush. Do not use water or any cleaning solutions.

Optional accessories



WARNING! Since accessories, other than those offered by STANLEY have not been tested with this product, use of such accessories with this tool could be hazardous. To reduce the risk of injury, only STANLEY recommended accessories should be used with this product. Consult your dealer for further information on the appropriate accessories.

PROTECTING THE ENVIRONMENT



Separate collection. This product must not be disposed of with normal household waste.

Should you find one day that your STANLEY product needs replacement, or if it is of no further use to you, do not dispose of it with household waste. Make this product available for separate collection.



STANLEY provides a facility for the collection and recycling of STANLEY products once they have reached the end of their working life. To take advantage of this service please return your

product to any authorised repair agent who will collect them on our behalf. You can check the location of your nearest authorised repair agent by contacting your local STANLEY office at the address indicated in this manual. Alternatively, a list of authorised STANLEY repair agents and full details of our after-sales service and contacts are available on the Internet at: www.2helpU.com.

Batteries



STANLEY batteries can be recharged many times. At the end of their useful life, discard batteries with due care for our environment:

- Run the battery down completely, then remove it from the tool.
- NiCd, NiMH and Li-Ion batteries are recyclable. Take them to any authorized repair agent or a local recycling station.

NOTES

STANLEY's policy is one of continuous improvement to our products and as such, we reserve the right to change product specifications without prior notice. Standard equipment and accessories may vary by country. Product specifications may differ by country. Complete product range may not be available in all countries. Contact your local STANLEY dealers for range availability

SERVICE INFORMATION

STANLEY offers a full network of company-owned and authorized service locations. All STANLEY Service Centers are staffed with trained personnel to provide customers with efficient and reliable power tool service. For more information about our authorized service centers and if you need technical advice, repair, or genuine factory replacement parts, contact the STANLEY location nearest you.

TECHNICAL DATA

DRILL DRIVER		SCD121
Voltage	V_{DC}	12V Max
No-load speed		
1st gear	min^{-1}	0-400
2nd gear	min^{-1}	0-1500
Max torque	Nm	26
Chuck capacity	mm	10

Maximum drilling capacity:

Wood	mm	20
Steel	mm	10

Charger		SC122
Input voltage	V_{AC}	220-240
Output voltage	V_{DC}	12
Output Current (DC)	A	1.25
Approx. charge time	Mins	70(1.5Ah)

Battery		SB12S
Voltage	V_{DC}	12
Capacity	Ah	1.5
Type		Li-Ion

LEVEL OF SOUND PRESSURE ACCORDING TO EN 62841:

Sound pressure (L_{pA})	dB(A)	82
Sound pressure uncertainty (K_{pA})	dB(A)	5
Sound power (L_{WA})	dB(A)	93
Sound power uncertainty (K_{WA})	dB(A)	5

VIBRATION EMISSION VALUES (TRIAx VECTOR SUM) ACCORDING TO EN 62841:

Drilling into metal (a_{hD})	m/s ²	1.1
Uncertainty (K)	m/s ²	1.5

VIBRATION

The declared vibration emission values stated in the technical data and the declaration of conformity have been measured in accordance with a standard test method provided by EN 62841 and may be used for comparing one tool with another. The declared vibration emission value may also be used in a preliminary assessment of exposure.



WARNING! The vibration emission value during actual use of the power tool can differ from the declared value depending on the ways in which the tool is used. The vibration level may increase above the level stated.

When assessing vibration exposure to determine safety measures required by 2002/44/EC to protect persons regularly using power tools in employment, an estimation of vibration exposure should consider, the actual conditions of use and the way the tool is used, including taking account of all parts of the operating cycle such as the times when the tool is switched off and when it is running idle in addition to the trigger time.

EC declaration of conformity
MACHINERY DIRECTIVE

**SCD121 - Drill driver**

STANLEY declares that these products described under "technical data" are in compliance with: 2006/42/EC, EN 62841-1:2009 + A11:2010, EN62841-2-1:2018+A11:2019

These products also comply with Directive 2014/30/EU and 2011/65/EU. For more information, please contact STANLEY at the following address or refer to the back of the manual.

The undersigned is responsible for compilation of the technical file and makes this declaration on behalf of STANLEY.

Patrick Diepenbach

Patrick Diepenbach
General Manager, Benelux
Stanley, Egide Walschaertsstraat 14-18
2800 Mechelen, Belgium
05.2020

TWO YEAR WARRANTY

If your STANLEY product becomes defective due to faulty materials or workmanship within 24 months from the date of purchase, STANLEY guarantees to replace all defective parts free of charge or – at our discretion – replace the unit free of charge provided that:

- The product has not been misused and has been used in accordance with the instruction manual;
- The product has been subject to fair wear and tear;
- Repairs have not been attempted by unauthorized persons;
- Proof of purchase is produced.
- The STANLEY product is returned complete with all original components
- The product hasn't been used for hire purposes

If you wish to make a claim, contact your seller or check the location of your nearest authorised STANLEY repair agent in the STANLEY catalogue or contact your local STANLEY office at the address indicated in this manual. A list of authorised STANLEY repair agents and full details of our after sales service is available on the internet at: www.2helpU.com

НАЗНАЧЕНИЕ

Ваша дрель/шуруповерт STANLEY SCD121 Li-Ion предназначена для выполнения операций по сверлению и заворачиванию в легком режиме. Данный инструмент предназначен для профессионального использования.

ПРАВИЛА ТЕХНИКИ БЕЗОПАСНОСТИ

Общие правила безопасности при работе с электроинструментом



ВНИМАНИЕ! Прочтите все правила техники безопасности, инструкции, иллюстрации и спецификации по данному электроинструменту. Несоблюдение всех приведенных ниже инструкций может стать причиной поражения электрическим током, возгорания и/или тяжелой травмы.

Сохраните все инструкции для последующего обращения к ним.

Термин «электроинструмент» в предупреждениях относится к работающим от сети (проводным) электроинструментам или работающим от аккумулятора (беспроводным) электроинструментам.

1. Безопасность на рабочем месте

- a. Содержите рабочее место в чистоте и обеспечьте его хорошую освещенность. Плохое освещение или беспорядок на рабочем месте может привести к несчастному случаю.
- b. Не используйте электроинструмент во взрывоопасной атмосфере, например, при наличии горючих жидкостей, газов или пыли. Искры, которые появляются при работе электроинструмента, могут привести к воспламенению пыли или паров.
- c. Не разрешайте детям и посторонним лицам находиться рядом с вами при работе с электроинструментом. Отвлекаясь от работы, вы можете потерять контроль над инструментом.

2. Электробезопасность

- a. Сетевые вилки электроинструмента должны соответствовать розеткам. Никогда не меняйте вилку инструмента. Запрещается использовать переходники к вилкам для электроинструментов с заземлением. Использование оригинальных штепсельных вилок, соответствующих типу сетевой розетки, снижает риск поражения электрическим током.
- b. Следует избегать контакта с заземленными поверхностями, такими как трубы, радиаторы, батареи и холодильники. Если вы будете заземлены, увеличивается риск поражения электрическим током.
- c. Не допускайте нахождения электроинструментов под дождем или в условиях повышенной влажности. При попадании воды в электроинструмент, риск поражения электрическим током возрастает.
- d. Бережно обращайтесь с кабелем питания. Никогда не используйте кабель для переноски электроинструмента, не тяните за него, пытайтесь отключить инструмент от сети. Держите кабель

подальше от источников тепла, масла, острых углов или движущихся предметов. Поврежденный или запутанный кабель питания повышает риск поражения электрическим током.

- e. При работе с электроинструментом вне помещения необходимо пользоваться удлинителем кабелем, рассчитанным на эксплуатацию вне помещения. Использование кабеля, предназначенного для применения на открытом воздухе, снижает риск поражения электрическим током.
 - f. При необходимости эксплуатации электроинструмента в местах с повышенной влажностью используйте устройство защитного отключения (УЗО). Использование УЗО снижает риск поражения электрическим током.
- ### 3. Обеспечение индивидуальной безопасности
- a. При работе с электроинструментом сохраняйте бдительность, следите за своими действиями и руководствуйтесь здравым смыслом. Запрещается работать с электроинструментом в состоянии усталости, наркотического, алкогольного опьянения или под воздействием лекарственных препаратов. Невнимательность при работе с электроинструментом может привести к серьезным травмам.
 - b. Используйте средства индивидуальной защиты. Всегда надевайте защитные очки. Средства защиты, такие как пылезащитная маска, обувь на нескользящей подошве, каска и защитные наушники, используемые при работе, уменьшают риск получения травм.
 - c. Примите меры для предотвращения случайного включения. Перед тем как подключить электроинструмент к сети и/или аккумуляторной батарее, взять инструмент или перенести его в другое место, убедитесь в том, что выключатель находится в положении «Выкл.». Если при переносе электроинструмент остается подключен к сети, и при этом ваш палец находится на выключателе, это может привести к несчастному случаю.
 - d. Уберите все регулировочные или гаечные ключи перед включением электроинструмента. Ключ, оставленный на вращающейся части электроинструмента, может привести к травме.
 - e. Не пытайтесь дотянуться до слишком удаленных поверхностей. Всегда твердо стойте на ногах, сохраняя равновесие. Это позволит лучше контролировать электроинструмент в непредвиденных ситуациях.
 - f. Надевайте подходящую одежду. Не носите свободную одежду и ювелирные украшения. Следите за тем, чтобы волосы и одежда не попадали под движущиеся детали. Возможно наматывание элементов одежды, ювелирных изделий и длинных волос на движущиеся детали.
 - g. При наличии устройств для подключения оборудования для удаления и сбора пыли необходимо обеспечить правильность их подключения и эксплуатации. Использование устройства для пылеудаления снижает риски,

связанные с пылью.

- h. Не позволяйте хорошему знанию от частого использования инструментов стать причиной самоуверенности и игнорирования правил техники безопасности. Небрежное действие может повлечь серьезные травмы за долю секунды.
4. Эксплуатация электроинструмента и уход за ним
 - a. Избегайте чрезмерной нагрузки электроинструмента. Используйте электроинструмент в соответствии с назначением. Правильно подобранный электроинструмент выполнит работу более эффективно и безопасно при стандартной нагрузке.
 - b. Не используйте электроинструмент, если не работает его выключатель. Любой электроинструмент, управляемый выключением и включением которого невозможно, опасен и подлежит ремонту.
 - c. Перед выполнением любых настроек, сменой дополнительных принадлежностей или прежде чем убрать инструмент на хранение, отключите его от сети и/или снимите с него аккумуляторную батарею, если ее можно снять. Такие превентивные меры безопасности снижают вероятность случайного включения электроинструмента.
 - d. Храните электроинструмент в недоступном для детей месте и не позволяйте работать с инструментом людям, не имеющим соответствующих навыков работы с такого рода инструментами. Электроинструмент представляет опасность в руках неопытных пользователей.
 - e. Поддерживайте электроинструмент и насадки в исправном состоянии. Проверьте движущиеся детали на точность совмещения или заклинивание, наличие поломок или каких-либо других условий, которые могут повлиять на эксплуатацию электроинструмента. В случае обнаружения повреждений, прежде чем приступить к эксплуатации электроинструмента, его следует отремонтировать. Большинство несчастных случаев происходит по причине отсутствия должного обслуживания электроинструмента.
 - f. Необходимо содержать режущий инструмент в остро заточенном и чистом состоянии. Вероятность заклинивания инструмента, за которым следят должным образом и который хорошо заточен, значительно меньше, и работать с ним легче.
 - g. Используйте данный электроинструмент, а также дополнительные принадлежности и насадки в соответствии с данными инструкциями и с учетом условий и специфики работы. Использование электроинструмента для работ, для которых он не предназначен, может привести к несчастным случаям.
 - h. Все рукоятки и поверхности захватывания должны быть сухими и без следов смазки. Скользкие рукоятки и поверхности захватывания

не позволяют обеспечить безопасность работы и управления инструментом в непредвиденных ситуациях.

5. Использование инструментов с аккумуляторными и уход за ними
 - a. Используйте для зарядки аккумуляторной батареи только указанное производителем зарядное устройство. Использование зарядного устройства определенного типа для зарядки других батарей может привести к возгоранию.
 - b. Используйте для электроинструмента только батарею указанного типа. Использование других аккумуляторных батарей может стать причиной травмы и пожара.
 - c. Избегайте попадания внутрь батареи скрепок, монет, ключей, гвоздей, болтов или других мелких металлических предметов, которые могут вызывать замыкание ее контактов. Короткое замыкание контактов аккумуляторной батареи может привести к пожару или ожогам.
 - d. Если батарея повреждена, из нее может вытечь электролит. Избегайте контакта с ним. При случайном контакте с электролитом смойте его водой. При попадании электролита в глаза обратитесь за медицинской помощью. Жидкость, находящаяся внутри батареи, может вызвать раздражение или ожоги.
 - e. Не используйте поврежденные или измененные аккумуляторные батареи или инструменты. Поврежденные или измененные аккумуляторные батареи могут работать непредсказуемо, что может привести к возгоранию, взрыву или риску получения травм.
 - f. Не подвергайте аккумуляторные батареи или инструмент воздействию огня или повышенной температуры. Открытый огонь или воздействие высокой температуры выше 130 °C может привести к взрыву.
 - g. Следуйте всем инструкциям по зарядке и не заряжайте аккумуляторную батарею или инструмент вне температурного диапазона, указанного в инструкции. Неправильная зарядка или зарядка вне указанного температурного диапазона может привести к повреждению батареи и увеличить риск возгорания.
6. Сервисное обслуживание
 - a. Обслуживание электроинструмента должно выполняться только квалифицированным техническим персоналом. Это позволит обеспечить безопасность обслуживаемого электроинструмента.
 - b. Не выполняйте обслуживание поврежденных аккумуляторных батарей. Обслуживание аккумуляторных батарей должно выполняться только производителем или авторизованными поставщиками услуг.

ДОПОЛНИТЕЛЬНЫЕ ПРАВИЛА БЕЗОПАСНОСТИ ПРИ РАБОТЕ С ЭЛЕКТРОИНСТРУМЕНТОМ



ВНИМАНИЕ! Дополнительные правила техники безопасности при использовании

дрелей/шуруповертов

- При сверлении с ударом надевайте защитные наушники. Шум может стать причиной снижения слуха.
- Пользуйтесь дополнительными рукоятками, входящими в комплект поставки инструмента. Потеря контроля может привести к травме.
- Удерживайте инструмент за изолированные поверхности захватывания при выполнении работ, во время которых имеется вероятность контакта инструмента со скрытой электропроводкой. Если вы держитесь за металлические детали инструмента, то в случае перерезания находящегося под напряжением провода возможно поражение оператора электрическим током.
- Удерживайте инструмент за изолированные поверхности захватывания при выполнении работ, во время которых имеется вероятность контакта инструмента со скрытой электропроводкой. При удерживании металлических деталей инструмента, в случае перерезания находящегося под напряжением провода, возможно поражение оператора электрическим током.
- Используйте зажимы или другие подходящие средства для фиксации заготовки на стабильной опоре. Если держать заготовку руками или с упором в собственное тело, то можно потерять контроль над инструментом или заготовкой.
- Перед тем как сверлить отверстия в стенах, полах или потолках, проверьте места расположения проводки и трубопроводов.
- Избегайте прикасания к кончику сверла сразу после работы, он может сильно нагреваться.
- Назначение инструмента описывается в данном руководстве по эксплуатации. Использование любых принадлежностей или приспособлений, а также выполнение данным инструментом любых видов работ, не рекомендованных данным руководством по эксплуатации, может привести к несчастному случаю и/или повреждению личного имущества.

ПРАВИЛА ТЕХНИКИ БЕЗОПАСНОСТИ ПРИ ИСПОЛЬЗОВАНИИ ДЛИННЫХ

НАСАДОК

- Не работайте со скоростью выше максимальной рекомендуемой скорости насадки.** На более высокой скорости повышается вероятность искривления насадки при свободном вращении без контакта с заготовкой, что может повлечь за собой травмы.
- Всегда начинайте сверлить на низкой скорости и только при контакте насадки с заготовкой.** На более высокой скорости повышается вероятность искривления насадки при свободном вращении без контакта с заготовкой, что может повлечь за собой травмы.
- Прилагайте усилие только параллельно насадке и не прилагайте чрезмерное усилие.** Это может погнуть насадку, что может привести к поломке или потере управления, что может повлечь за собой травмы.

БЕЗОПАСНОСТЬ ОКРУЖАЮЩИХ

- Данный инструмент не предназначен для использования лицами (включая детей) с ограниченными физическими, сенсорными или ментальными возможностями, а также лицами без достаточного опыта и знаний, если только они не делают этого под руководством лица имеющего соответствующий опыт и отвечающего за их безопасность.
- Не позволяйте детям играть с данным инструментом.

ОСТАТОЧНЫЕ РИСКИ

При работе с инструментом возможно возникновение дополнительных остаточных рисков, которые не вошли в описанные здесь правила техники безопасности. Эти риски могут возникнуть при неправильном или продолжительном использовании изделия и т. п.

Несмотря на соблюдение соответствующих инструкций по технике безопасности и использование предохранительных устройств, некоторые остаточные риски невозможно полностью исключить. К ним относятся:

- Травмы в результате касания вращающихся/движущихся частей.
- Травмы, которые могут произойти в результате смены деталей, полотен или дополнительных принадлежностей.
- Травмы, связанные с продолжительным использованием инструмента. При использовании любого инструмента в течение продолжительного периода времени не забывайте делать перерывы.
- Ухудшение слуха.
- Ущерб здоровью в результате вдыхания пыли в процессе работы инструментом (например, при обработке древесины, в особенности, дуба, бука и МДФ.)

ЭЛЕКТРОБЕЗОПАСНОСТЬ

Электродвигатель рассчитан на работу только при одном напряжении сети. Необходимо обязательно убедиться в том, что напряжение источника питания соответствует указанному на паспортной табличке инструмента. Необходимо также убедиться в том, что напряжение зарядного устройства соответствует напряжению в сети.



Зарядное устройство STANLEY оснащено двойной изоляцией в соответствии с требованиями EN 60335; поэтому провод заземления не требуется.

- В случае повреждения кабеля питания его необходимо заменить специально подготовленным кабелем, который можно приобрести в сервисных центрах STANLEY.

ИСПОЛЬЗОВАНИЕ УДЛИНИТЕЛЬНОГО КАБЕЛЯ

Используйте удлинительный кабель только в случае крайней необходимости. Используйте только утвержденные удлинители промышленного изготовления, рассчитанные на мощность не меньшую,

чем потребляемая мощность зарядного устройства (см. раздел «Технические характеристики»). Минимальное поперечное сечение провода электрического кабеля должно составлять 1 мм²; максимальная длина 30 м. При использовании кабельного барабана всегда полностью разматывайте кабель.

ВАЖНЫЕ ИНСТРУКЦИИ ПО ТЕХНИКЕ БЕЗОПАСНОСТИ ДЛЯ ВСЕХ ЗАРЯДНЫХ УСТРОЙСТВ

Сохраните данные инструкции: В данном руководстве содержатся важные инструкции по технике безопасности для зарядного устройства SC122.

- Перед тем, как использовать зарядное устройство, внимательно изучите все инструкции и предупреждающие этикетки на зарядном устройстве, батарее и инструменте, для которого используется батарея.



ВНИМАНИЕ: Опасность поражения электрическим током. Не допускайте попадания жидкости в зарядное устройство. Это может привести к поражению электрическим током.



ПРЕДУПРЕЖДЕНИЕ: Опасность ожога. Для снижения риска получения травмы, заряжайте только перезаряжаемые аккумуляторы марки STANLEY. Использование батарей другого типа может привести к взрыву, травмам и повреждениям.



ПРЕДУПРЕЖДЕНИЕ: Не позволяйте детям играть с данным инструментом.

ПРИМЕЧАНИЕ: В определенных условиях, при подключении зарядного устройства к источнику питания, может произойти короткое замыкание контактов внутри зарядного устройства посторонними материалами. Не допускайте попадания в полости зарядного устройства таких токопроводящих материалов, как шлифовальная пыль, металлическая стружка, стальные волокна, алюминиевая фольга или другие металлические частицы и т. п. Всегда отключайте зарядное устройство от источника питания, если в нем нет аккумуляторной батареи. Всегда отключайте зарядное устройство от сети перед тем, как приступить к чистке устройства.

- **НЕ ПЫТАЙТЕСЬ заряжать батареи с помощью каких-либо других зарядных устройств, кроме тех, которые указаны в данном руководстве.** Зарядное устройство и батарея предназначены для совместного использования.
- **Эти зарядные устройства не предназначены ни для какого другого использования, помимо зарядки аккумуляторных батарей STANLEY.** Использование любых других батарей может привести к возгоранию, поражению электротоком или гибели от электрического шока.
- **Не подвергайте зарядное устройство воздействию снега или дождя.**
- **При отключении зарядного устройства от сети всегда тяните за штепсельную вилку, а не за кабель.** Это поможет избежать повреждения штепсельной вилки и розетки.

- **Убедитесь в том, что кабель расположен таким образом, чтобы на него не наступили, не споткнулись об него, а также в том, что он не натянут и не может быть поврежден.**

- **Не используйте удлинительный кабель без крайней необходимости.** Использование удлинительного кабеля неподходящего типа может привести к пожару или поражению электрическим током.

- **Не ставьте на зарядное устройство посторонние предметы и не устанавливайте зарядное устройство на мягкую поверхность, которая может закрыть вентиляционные отверстия и привести к перегреву.** Не размещайте зарядное устройство поблизости от источников тепла. Вентиляция зарядного устройства происходит с помощью отверстий в верхней и нижней части корпуса.

- **Не используйте зарядное устройство при наличии повреждений кабеля или штепсельной вилки — в этом случае их следует немедленно заменить.**

- **Не используйте зарядное устройство, если оно падало, подвергалось сильным ударам или было повреждено каким-либо иным образом.** Обратитесь в авторизованный сервисный центр.

- **Не разбирайте зарядное устройство. При необходимости обратитесь в специализированный сервисный центр, если нужно провести обслуживание или ремонт инструмента.** Неправильная сборка может стать причиной пожара или поражения электрическим током.

- В случае повреждения кабеля питания его необходимо немедленно заменить у производителя, в его сервисном центре или с привлечением другого специалиста аналогичной квалификации для предотвращения несчастного случая.

- **Перед чисткой отключите зарядное устройство от сети. В противном случае это может привести к поражению электрическим током.** Извлечение аккумуляторной батареи не приведет к снижению степени этого риска.

- **НИКОГДА** не подключайте 2 зарядных устройства одновременно.

- **Зарядное устройство рассчитано на работу от стандартной бытовой электросети. Не пытайтесь использовать его при каком-либо ином напряжении. Это не относится к автомобильному зарядному устройству.**

Зарядное устройство

Зарядное устройство SC122 заряжает ионно-литиевыми батареями 12 В Макс. / 10,8 В. Зарядное устройство не требует регулировки и максимально просто в использовании.

УСЛОВНЫЕ ОБОЗНАЧЕНИЯ НА ИНСТРУМЕНТЕ

Помимо кода даты на инструменте имеются следующие знаки:



ВНИМАНИЕ! Во избежание риска получения травм, прочтите руководство по эксплуатации.



Всегда надевайте защитные очки



Всегда надевайте защитные наушники



Видимое излучение. Не направляйте луч в глаза.

Положение кода даты

Код даты, который также включает год изготовления, напечатан на корпусе.

Пример:

2021 XX JN

Год производства

КОМПЛЕКТ ПОСТАВКИ

В упаковку входят:

- 1 Дрель/шурупверт
 - 1 Зарядное устройство
 - 2 Аккумуляторные батареи (S2) или 1 Аккумуляторная батарея (S1)
 - 1 Руководство по эксплуатации
- Проверьте инструмент, его детали или дополнительные принадлежности на предмет повреждений, которые могли возникнуть во время транспортировки.
 - Перед эксплуатацией внимательно прочтите данное руководство.

СОСТАВНЫЕ ЧАСТИ (РИС. А)

Данный инструмент может содержать все или некоторые из перечисленных ниже составных частей.

1. Курковый пусковой выключатель
2. Кнопка изменения направления вращения
3. Муфта установки крутящего момента
4. Переключатель скоростей
5. Быстрозажимной патрон
6. Отпирающая кнопка батареи
7. Аккумуляторная батарея
8. Светодиодная подсветка

СБОРКА



ВНИМАНИЕ! Извлеките аккумуляторную батарею из инструмента перед сборкой.

Зарядка аккумуляторной батареи (Рис. В)

- Перед установкой батареи подключите зарядное устройство (10) к соответствующей розетке.
- Вставьте батарею (7) в зарядное устройство. Начнет мигать индикатор зарядки, означая начало процесса зарядки.
- По окончании зарядки индикатор зарядки будет гореть непрерывно, не мигая. Теперь батарея полностью заряжена, и ее можно использовать или

оставить в зарядном устройстве.

ПРИМЕЧАНИЕ: Чтобы обеспечить максимальную производительность и срок работы ионно-литиевых батарей, перед первым использованием полностью зарядите батарейный комплект.

Процесс зарядки

См. состояние зарядки аккумуляторной батареи в приведенных ниже таблицах.

State of charge		SC122
charging	--- --	green blink
fully charged	-----	green light
hot/cold battery	-----	red blink
damaged battery	red flash

Температурная задержка

Зарядное устройство SC122 имеет функцию температурной задержки. При слишком высокой температуре батареи, зарядное устройство автоматически переходит в режим температурной задержки до тех пор, пока батарея не остынет. При слишком низкой температуре батареи, зарядное устройство автоматически переходит в режим температурной задержки до тех пор, пока батарея не нагреется. Красный индикатор продолжит мигать, и процедура зарядки не будет возобновлена. Как только батарея охладится, зарядное устройство продолжит процесс зарядки батареи.

Неисправность аккумуляторной батареи

Зарядное устройство может указать на неисправность аккумуляторной батареи. Красный светодиодный индикатор начнет быстро мигать, как указано на маркировке. Если вы увидите, что индикатор мигает по схеме, указывающей на неисправность аккумуляторной батареи, прекратите зарядку аккумуляторной батареи. Отнесите неисправную аккумуляторную батарею в сервисный центр или в специализированный центр для утилизации.

Система электронной защиты

Ионно-литиевые аккумуляторные батареи STANLEY оснащены системой электронной защиты, которая защищает аккумуляторную батарею от перегрузки, перегрева или глубокой разрядки.

При срабатывании системы электронной защиты устройство автоматически отключается. В этом случае поставьте ионно-литиевую батарею на зарядку до тех пор, пока она полностью не зарядится.

Важные инструкции по технике безопасности для всех батарей

При заказе запасных батарей не забудьте указать номер по каталогу и напряжение питания.

При покупке батарея заряжена не полностью.

Перед тем, как использовать батарею и зарядное устройство, прочтите следующие инструкции по технике безопасности. Затем выполните необходимые действия для зарядки.

Внимательно прочтите все инструкции

- Не заряжайте и не используйте батарею во взрывоопасной атмосфере, например, при наличии горючих жидкостей, газов или пыли. Установка или удаление батареи из зарядного устройства может привести к воспламенению пыли или газов.
- Никогда не вставляйте батарею в зарядное устройство силой. Не вносите изменения в конструкцию батарей с целью установить их в зарядное устройство, к которому они не подходят. Это может привести к серьезным травмам.
- Заряжайте батареи только с помощью зарядных устройств STANLEY.
- **НЕ БРЫЗГАЙТЕ** на них и не погружайте в воду или другие жидкости.
- **Не храните и не используйте данный инструмент и батарею при температуре выше 40 °C (например, в пристройках или металлических конструкциях в летнее время).**



ВНИМАНИЕ: Ни в коем случае не разбирайте батарею. При наличии трещин или других повреждений батареи, не устанавливайте ее в зарядное устройство.

Не роняйте батарею и не подвергайте ее ударам или другим повреждениям. Не пользуйтесь батареей или зарядным устройством, которые падали или получили какие-либо повреждения (например, после протыкания гвоздем, удара молотком или придавливания). Это может привести к удару или поражению электрическим током. Поврежденные батареи необходимо вернуть в сервисный центр для повторной переработки.



ПРЕДУПРЕЖДЕНИЕ: Когда инструмент не используется, кладите его на бок на устойчивую поверхность в таком месте, где он не может упасть и об него нельзя споткнуться. Некоторые инструменты с аккумуляторными батареями больших

размеров стоят на аккумуляторной батарее в вертикальном положении, но их легко опрокинуть.

Специальные инструкции по технике безопасности для ионно-литиевых (Li-Ion) батарей

- Не сжигайте батареи, даже поврежденные или полностью отработавшие. При попадании в огонь батареи могут взорваться. При сжигании ионно-литиевых батарей образуются токсичные вещества и газы.
- При попадании содержимого батареи на кожу, немедленно промойте это место водой с мылом. При попадании содержимого батареи в глаза, необходимо промыть открытые глаза проточной водой в течение 15 минут или до тех пор, пока не пройдет раздражение. При необходимости обращения к врачу, может пригодиться следующая информация: электролит представляет собой смесь жидких органических углекислых и литиевых солей.

Жидкие органические углекислые и литиевые соли.

- При вскрытии батареи ее содержимое может вызвать раздражение дыхательных путей. Обеспечьте наличие свежего воздуха. Если симптомы сохраняются, обратитесь к врачу.



ВНИМАНИЕ: Опасность ожога. Содержимое батареи может воспламениться при попадании искр или огня.

Транспортировка

Батареи STANLEY соответствуют всем применимым правилам транспортировки, прописанным производителем, а также национальным стандартам, включающим в себя Рекомендации ООН по перевозке опасных грузов; правила международной ассоциации воздушного транспорта (IATA) по перевозке опасных грузов, правила международного морского кодекса по опасным грузам (IMDG) и Европейское соглашение о перевозке опасных грузов автотранспортом (ADR). Ионно-литиевые элементы и аккумуляторные батареи были протестированы в соответствии с разделом 38.3 Рекомендации ООН по транспортировке опасных грузов руководства по тестам и критериям. В большинстве случаев транспортировка аккумуляторных батарей STANLEY попадает под классификацию, поскольку они не являются опасными материалами Класса 9. В целом, два случая, когда требуется отправка Класса 9, это:

1. Авиаперевозка более двух ионно-литиевых аккумуляторных батарей STANLEY, если в упаковке находятся только аккумуляторные батареи (без инструментов), и
2. Любая перевозка ионно-литиевых аккумуляторных батарей энергоемкостью более 100 Ватт час (Втч). Энергоемкость всех ионно-литиевых аккумуляторных батарей указана на упаковке.

Независимо от того, является ли перевозка исключением или выполняется по правилам, перевозчик должен уточнить последние требования к упаковке, маркировке и оформлению документации.

При транспортировке аккумуляторных батарей может произойти возгорание, если терминалы аккумуляторных батарей случайно будут замкнуты электропроводящими материалами. При транспортировке аккумуляторных батарей убедитесь в том, что терминалы защищены и хорошо изолированы от материалов, контакт с которыми может привести к короткому замыканию.

Информация, изложенная в данном руководстве обоснована и на момент создания данного документа может считаться точной. Но эта гарантия не является ни выраженной, ни подразумеваемой. Покупатель должен обеспечить то, что бы его деятельность соответствовала всем применимым законам.

Аккумуляторная батарея**Тип батареи**

SCD121 работает от аккумуляторных батарей 12 В Макс. и 10,8 В.

Рекомендации по хранению

1. Лучшим местом для хранения является прохладное и сухое место, защищенное от прямых солнечных лучей, высокой или низкой температуры. Для оптимальной работы и продолжительного срока службы, неиспользуемые аккумуляторные батареи храните при комнатной температуре.
2. Для достижения максимальных результатов при продолжительном хранении рекомендуется полностью зарядить аккумуляторную батарею и хранить ее в прохладном сухом месте вне зарядного

устройства.

ПРИМЕЧАНИЕ: Аккумуляторные батареи не должны храниться в полностью разряженном состоянии. Перед использованием аккумуляторная батарея требует повторной зарядки.

Маркировка на зарядном устройстве и аккумуляторной батарее

Помимо пиктограмм, используемых в данном руководстве, на зарядном устройстве и батарее имеются следующие обозначения:



Перед началом работы прочтите руководство по эксплуатации.



Время зарядки см. в разделе «Технические характеристики».



Зарядка батареи.



Батарея заряжена.



Батарея неисправна.



Температурная задержка.



Не касайтесь токопроводящими предметами.



Не пытайтесь заряжать поврежденную батарею.



Не подвергайте воздействию воды.



Немедленно заменяйте поврежденный кабель питания.



Зарядку осуществляйте только при температуре от 4 °C до 40 °C.



Для использования внутри помещений.



ЛИ-IION

Утилизируйте отработанные батареи безопасным для окружающей среды способом.



SC122/SC121

Заряжайте аккумуляторные батареи

STANLEY только с помощью соответствующих зарядных устройств STANLEY. Зарядка иных аккумуляторных батарей, кроме STANLEY на зарядных устройствах STANLEY может привести к возгоранию аккумуляторных батарей и возникновению других опасных ситуаций.



Не сжигайте аккумуляторную батарею.

СБОРКА И РЕГУЛИРОВКА



ВНИМАНИЕ: Перед сборкой и настройкой инструмента всегда извлекайте аккумуляторную батарею. Перед установкой или извлечением аккумуляторной батареи всегда выключайте инструмент.



ВНИМАНИЕ: Используйте только зарядные устройства и аккумуляторные батареи марки STANLEY.

Установка и извлечение аккумуляторной батареи из инструмента (Рис. С)



ВНИМАНИЕ: Чтобы снизить риск получения серьезной травмы, устанавливайте переключатель изменения направления вращения в положение выключения или выключайте инструмент и отсоединяйте аккумуляторную батарею, прежде чем выполнять какую-либо регулировку или удалять/устанавливать какие-либо дополнительные приспособления или принадлежности. Случайный запуск может привести к травме.

ПРИМЕЧАНИЕ: Убедитесь в том, что аккумуляторная батарея (6) полностью заряжена.

Установка аккумуляторной батареи в рукоятку инструмента

1. Совместите аккумуляторную батарею с бороздками на внутренней стороне рукоятки.
2. Вдвигайте батарею в рукоятку, пока не услышите, что замок защелкнулся на месте.

Извлечение батареи из инструмента

1. Нажмите на опирающую кнопку батареи (5) и извлеките батарею из рукоятки инструмента.
2. Вставьте батарею в зарядное устройство, как указано в разделе данного руководства, посвященном зарядному устройству.

ИСПОЛЬЗОВАНИЕ

Правильное положение рук (Рис. А, Н)



ВНИМАНИЕ: Во избежание риска получения серьезных травм **ВСЕГДА** используйте правильное положение рук, как показано на рисунке.



ВНИМАНИЕ: Во избежание риска получения серьезных травм **ВСЕГДА** крепко держите инструмент, предупреждая внезапную резкую

отдачу. При правильном положении рук одна рука должна находиться на основной рукоятке (9).

Выбор направления вращения (Рис. D)

Для затяжки используйте вращение вперед (по часовой стрелке). Для ослабления используйте обратное вращение (против часовой стрелки).

- Чтобы выбрать вращение вперед, передвиньте переключатель направления вращения (2) влево.
- Чтобы выбрать вращение назад, передвиньте переключатель направления вращения вправо.
- Чтобы заблокировать инструмент, установите переключатель направления вращения в центральное положение.
- При изменении положения переключателя направления вращения курковый пусковой выключатель должен быть отпущен.

Курковый пусковой выключатель (Рис. А)

Чтобы включить инструмент, нажмите на курковый пусковой выключатель (1). Чтобы выключить инструмент, отпустите пусковой выключатель. Ваш инструмент оснащен тормозом. Патрон останавливается сразу же после полного отпущения куркового пускового выключателя.

Курковый пусковой выключатель позволяет выбирать оптимальную скорость для конкретного применения. Чем сильнее нажат курковый пусковой выключатель, тем выше скорость вращения. Для обеспечения максимального срока службы инструмента используйте переменную скорость только в начале просверливания отверстий или заворачивания

ПРИМЕЧАНИЕ: Постоянное использование в режиме переменной скорости не рекомендуется. Это может привести к повреждению выключателя и поэтому не допускается.

Муфта установки крутящего момента (Рис. А, D)

На муфте установки крутящего момента (3) четко отмечены цифры и символ сверла. Муфту следует вращать до тех пор, пока символ нужного положения не будет в верхней части инструмента. На муфте установлены указатели, чтобы при выборе момента затяжки не нужно было его угадывать.

Чем выше число на муфте, тем больше крутящий момент и тем больше крепежный элемент, который можно затягивать. Чтобы заблокировать муфту в положении сверления, переведите ее на символ сверла.

ПРИМЕЧАНИЕ: В случае использования дрели/шуруповерта для сверления отверстий убедитесь, что муфта установки крутящего момента установлена таким образом, что изображение сверла совпадает с центральной линией на верхней части инструмента. Невыполнение данного требования позволит муфте скользить при попытке сверления.

Переключатель скоростей (Рис. А, D)

Переключатель скоростей данной дрели/шуруповерта обеспечивает выбор скорости для универсальности применения инструмента.

Для работы на низкой скорости с высоким крутящим моментом, выключите инструмент и дождитесь его

остановки. Сдвиньте переключатель скоростей (4) вперед (к патрону). Для работы на высокой скорости с низким крутящим моментом, выключите инструмент и дождитесь его остановки. Сдвиньте переключатель скоростей назад (от патрона).

ПРИМЕЧАНИЕ: Не переключайте скорость при работающем инструменте. В случае затрудненного переключения скоростей убедитесь в том, что переключатель скоростей сдвинут до конца вперед либо до конца назад.

Светодиодная подсветка

Светодиодная подсветка (8) расположена под муфтой установки крутящего момента (3) и автоматически включается при нажатии на курковый пусковой выключатель. Светодиодная рабочая подсветка включается при частичном нажатии на курковый пусковой выключатель, до того, как запустится сам инструмент.

ПРИМЕЧАНИЕ: Светодиодная подсветка предназначена для освещения рабочей поверхности и не может использоваться в качестве фонаря.

Быстрозажимной патрон (Рис. Е)

Инструмент оснащен быстрозажимным патроном с одинарной вращающейся муфтой для управления патроном одной рукой. Чтобы вставить насадку или другую принадлежность, выполните следующие действия.

1. Заблокируйте пусковой переключатель в положении ВЫКЛ. как указано выше.
2. Обхватите черную муфту патрона одной рукой, а другой рукой удерживайте инструмент. Поворачивайте муфту против часовой стрелки для установки нужной принадлежности.
3. Вставьте насадку в патрон приблизительно на 19 мм и надежно затяните ее, поворачивая муфту патрона по часовой стрелке, придерживая инструмент другой рукой. Инструмент оснащен автоматическим механизмом блокировки шпинделя. Это позволяет открывать и закрывать патрон одной рукой. Чтобы извлечь насадку, повторите шаг 2 выше.



ВНИМАНИЕ: Не пытайтесь затягивать насадку (или любую другую принадлежность), удерживая патрон и включая инструмент. Это может привести к повреждению патрона и травмам. Всегда блокируйте курковый пусковой выключатель при смене насадок.

Для максимально эффективного затягивания патрона удерживайте одной рукой муфту, а другой рукой — инструмент.

Снятие патрона (Рис. F)

Поверните муфту установки в положение «сверло», а переключатель скоростей в положение 1 (низкая скорость). Затяните патрон вокруг более короткого конца шестигранного ключа (не входит в комплект) размером 6,35 мм или больше. Используя деревянный молоток или аналогичный объект, ударьте по длинному концу по часовой стрелке, как показано. Это ослабит винт внутри патрона.

Полностью откройте кулачки патрона, вставьте отвертку (или инструмент Tox, если необходимо) в переднюю

часть патрона между кулачками для активации головки винта. Отверните винт, поворачивая его по часовой стрелке (левая резьба). Поместите шестигранный ключ в патрон и затяните, как показано на Рисунке F. Используя деревянный молоток или аналогичный объект, резко ударьте по ключу в направлении против часовой стрелки. Это приведет к ослаблению патрона, чтобы его можно было открутить рукой.

Установка патрона (Рис. G)

Накрутите патрон вручную до максимума и вставьте винт (левая резьба). Надежно затяните винт. Затяните патрон вокруг более короткого конца шестигранного ключа (не входит в комплект) размером 6,35 мм или больше, ударьте деревянным молотком по длинному концу по часовой стрелке, как показано. Затяните винт еще раз, повернув его против часовой стрелки.

Сверление



ВНИМАНИЕ: Чтобы снизить риск получения серьезных травм, выключайте инструмент и отключайте его от сети перед тем, как выполнять какие-либо регулировки или снимать/устанавливать приспособления или дополнительные принадлежности.



ВНИМАНИЕ: Во избежание травм ВСЕГДА надежно закрепляйте заготовку. При сверлении тонкого материала используйте деревянную подложку во избежание повреждения материала.

Поверните муфту на символ сверла для сверления. Выберите нужный диапазон скорости/крутящего момента с помощью переключателя скоростей в соответствии с нужными значениями планируемых работ.

- Используйте только хорошо заточенные насадки. Для работы по ДЕРЕВУ, используйте спиральные сверла, перьевые сверла или цифенборы. Для работы по МЕТАЛЛУ, используйте спиральные стальные сверла (HSS) или цифенборы.
- Всегда прикладывайте давление по прямой линии со сверлом. Прикладывайте усилия, достаточные для работы насадки, но не прикладывайте чрезмерных усилий во избежание остановки двигателя или деформации насадки.
- Крепко удерживайте инструмент обеими руками, контролируя сверление.



ВНИМАНИЕ: В случае перегрузки дрель может остановиться что может привести к непредвиденной отдаче. Всегда определяйте причину остановки. Прочно удерживайте дрель обеими руками, чтобы сохранять управление в случае перекоса и избежать травмы.

- ОСТАНОВ ДРЕЛИ** обычно происходит из-за перегрузки или неправильного применения. **НЕМЕДЛЕННО ОТПУСТИТЕ КУРКОВЫЙ ПУСКОВОЙ ВЫКЛЮЧАТЕЛЬ**, извлеките насадку из заготовки и определите причину остановки. **НЕ НАЖИМАЙТЕ НА ПУСКОВОЙ ВЫКЛЮЧАТЕЛЬ В ПОПЫТКЕ ПЕРЕЗАПУСТИТЬ ОСТАНОВИВШУЮСЯ ДРЕЛЬ – ЭТО МОЖЕТ ПОВРЕДИТЬ ДРЕЛЬ.**

- Для сведения к минимуму риска внезапного останова

инструмента или повреждения обрабатываемого материала, уменьшите давление на дрель и на одну треть извлеките сверло из высверливаемого отверстия. Не выключайте двигатель при извлечении сверла из высверленного отверстия. Это поможет уменьшить риск его зажатия.

- При использовании регулировки скорости нет необходимости предварительно проклевывать высверливаемое отверстие. Начните с низкой скорости, чтобы высверлить отверстие и ускорьтесь, сильнее нажав на курковый пусковой выключатель, когда отверстие будет достаточно глубоким для того, чтобы насадка из него не выскочила.

Использование шуруповерта

Выберите нужный диапазон скорости/крутящего момента с помощью переключателя скоростей в верхней части инструмента в соответствии с нужными значениями планируемых работ. Вставьте в патрон отверточную насадку таким же способом, как и сверло. Выполните несколько пробных заворачиваний в обрезке материала или на скрытом участке, чтобы определить правильную позицию муфты установкой крутящего момента.

Рекомендованные максимальные параметры

	Н и з к а я с к о р о с т ь - 1	Н и з к а я с к о р о с т ь - 2
Насадки, сверление в металле	6,00 мм	3,00 мм
Древесина, плоское сверление	19,00 мм	12,00 мм
Цифенборы	19,00 мм	16,00 мм

ТЕХНИЧЕСКОЕ ОБСЛУЖИВАНИЕ

Ваш инструмент STANLEY имеет длительный срок эксплуатации и требует минимальных затрат на техобслуживание. Срок службы и надежность инструмента увеличивается при правильном уходе и регулярной чистке.



ВНИМАНИЕ: Чтобы снизить риск получения серьезной травмы, устанавливайте кнопку изменения направления вращения в положение выключения или выключайте инструмент и отсоединяйте аккумуляторную батарею перед проведением любых действий по регулировке или установке/снятию дополнительных принадлежностей или насадок. Случайный запуск может привести к травме.

Зарядное устройство и аккумуляторные батареи не требуют технического обслуживания. Внутри установки нет деталей, обслуживаемых пользователем.

**Смазка**

Вашему инструменту не требуется дополнительная смазка.

**Чистка**

ВНИМАНИЕ: Выдувайте грязь и пыль из корпуса сухим сжатым воздухом по мере видимого скопления грязи внутри и вокруг вентиляционных отверстий. Надевайте защитные очки и пылезащитную маску при выполнении этих работ.



ВНИМАНИЕ: Никогда не пользуйтесь растворителями или другими сильнодействующими химическими веществами для чистки неметаллических частей инструмента. Эти химикаты могут повредить структуру материала, используемого для производства таких деталей. Используйте ткань, смоченную в мягком мыльном растворе. Не допускайте попадания жидкости внутрь устройства; никогда не погружайте никакие из деталей устройства в жидкость.

Инструкции по чистке зарядного устройства

ВНИМАНИЕ: Опасность поражения электрическим током. Перед чисткой отключите зарядное устройство от сети питания. Грязь и жир можно удалить с наружной поверхности зарядного устройства с помощью тряпки или мягкой неметаллической щетки. Не используйте воду или чистящие растворы.

Дополнительные принадлежности

ВНИМАНИЕ! В связи с тем, что дополнительные приспособления других производителей, кроме STANLEY, не проходили проверку на совместимость с данным изделием, их использование может представлять опасность. Во избежание травм, с данным инструментом следует использовать только дополнительные принадлежности, рекомендованные STANLEY. Проконсультируйтесь со своим продавцом для получения дополнительной информации о соответствующих принадлежностях.

ЗАЩИТА ОКРУЖАЮЩЕЙ СРЕДЫ

Отдельная утилизация. Это изделие нельзя утилизировать с обычными бытовыми отходами.

Если однажды ваш инструмент STANLEY потребует замены или он вам больше не нужен, не выбрасывайте его вместе с бытовыми отходами. Утилизацию этого продукта нужно производить в пунктах раздельного сбора мусора.



STANLEY предлагает места для сбора и переработки продукции STANLEY по завершении их срока службы. Чтобы

воспользоваться этой услугой, вы можете сдать ваше

изделие в любой авторизованный сервисный центр, который собирает их по нашему поручению. Адрес ближайшего авторизованного сервисного центра можно получить, обратившись в местное представительство компании STANLEY по адресу, указанному в настоящем руководстве. Кроме того, список авторизованных сервисных центров STANLEY и подробную информацию о послепродажном обслуживании и контактах можно найти на веб-сайте: www.2helpU.com.

Аккумуляторные батареи

Аккумуляторные батареи STANLEY могут заряжаться многократно. По окончании срока эксплуатации их следует утилизировать, соблюдая при этом необходимые меры по защите окружающей среды:

- Разрядите батарею до конца и извлеките ее из инструмента.
- NiCd, NiMH и Li-Ion аккумуляторные батареи подлежат переработке. Сдайте их в любой авторизованный сервисный центр или в местный центр вторичной переработки.

ПРИМЕЧАНИЯ

Политика STANLEY нацелена на постоянное усовершенствование нашей продукции, поэтому фирма оставляет за собой право изменять технические характеристики изделий без предварительного уведомления. Стандартное оборудование и дополнительные принадлежности могут меняться в зависимости от страны продаж. Технические характеристики продуктов могут различаться в зависимости от страны продаж. Полная линия продуктов присутствует на рынках не всех стран. Для получения информации касательно линии продуктов в вашей стране обратитесь в ближайший сервисный центр STANLEY.

ИНФОРМАЦИЯ ПО ТЕХНИЧЕСКОМУ ОБСЛУЖИВАНИЮ

STANLEY имеет обширную сеть принадлежащих компании и авторизованных сервисных центров. В целях предоставления клиентам эффективного и надежного технического обслуживания электроинструментов во всех сервисных центрах STANLEY работает обученный персонал. За дополнительной информацией о наших авторизованных сервисных центрах, а также, если вы нуждаетесь в технической консультации, ремонте или покупке оригинальных запасных частей, обратитесь в ближайший к вам сервисный центр.

ТЕХНИЧЕСКИЕ ХАРАКТЕРИСТИКИ**ДРЕЛЬ/ШУРУПОВЕРТ SCD121**

Напряжение	В _{пост. тока}	12 В Макс.
Скорость без нагрузки		
1-я скорость	мин ⁻¹	0–400
2-я скорость	мин ⁻¹	0–1500

Макс. крутящий момент	Нм	26
Патрон	мм	10
Макс. скорость сверления:		
Древесина	мм	20
Сталь	мм	10

Зарядное устройство		SC122
Входное напряжение	$V_{\text{перем. тока}}$	220–240
Выходное напряжение	$V_{\text{пост. тока}}$	12
Выходной ток (пост.)	A	1,25
Приблизительное время зарядки	Мин.	70 (1,5 Ач)

Аккумуляторная батарея		SB12S
Напряжение	$V_{\text{пост. тока}}$	12
Емкость	Ач	1,5
Тип		Ионно-литиевая

УРОВЕНЬ ЗВУКОВОГО ДАВЛЕНИЯ СОГЛАСНО EN 62841:		
Звуковое давление (L_{PA})	дБ(А)	82
Погрешность звукового давления (K_{PA})	дБ(А)	5
Акустическая мощность (L_{WA})	дБ(А)	93
Погрешность акустической мощности (K_{WA})	дБ(А)	5

СУММА ВЕЛИЧИН ВИБРАЦИИ (СУММА ВЕКТОРОВ ПО ТРЕМ ОСЯМ), ИЗМЕРЕННЫХ В СООТВЕТСТВИИ С EN 62841:

Сверление в металле (a_{RD})	м/с ²	1,1
Погрешность (K)	м/с ²	1,5

ВИБРАЦИЯ

Заявленные значения вибрации указанные в технических спецификациях и заявлении о соответствии были измерены в соответствии с стандартным методом тестирования EN 62841 и могут быть использованы для сравнения инструментов. Приведенные значения уровня вибрации могут также использоваться для предварительной оценки величины вибрационного воздействия.



ВНИМАНИЕ! Значения вибрационного воздействия при работе с электроинструментом зависят от вида работ, выполняемых данным инструментом, и могут отличаться от заявленных значений. Уровень вибрации может быть выше заявленного.

При оценке уровня вибрации для определения меры безопасности, предусмотренного 2002/44/ЕС для защиты людей, регулярно пользующихся электроинструментом при работе, нужно принимать во внимание уровень вибрации, реальные условия использования и способ использования инструмента, а также учитывать все этапы цикла работы — когда инструмент выключается, когда он работает на холостом ходу, а также время переключения с одного режима на другой.

Заявление о соответствии нормам ЕС ДИРЕКТИВА ПО МЕХАНИЧЕСКОМУ ОБОРУДОВАНИЮ



SCD121 – Дрель/шурупверт

STANLEY заявляет, что продукция, описанная в разделе «Технические характеристики» соответствует: 2006/42/ЕС, EN 62841-1:2009 + A11:2010, EN62841-2-1:2018+A11:2019

Эти продукты также соответствуют Директивам 2014/30/EU и 2011/65/EU. За дополнительной информацией обращайтесь в компанию STANLEY по адресу, указанному ниже или приведенному на задней стороне обложки руководства.

Нижеподписавшийся составил данную декларацию по поручению компании STANLEY и несет ответственность за составление технической документации.

Patrick Diepenbach

Патрик Дипенбах (Patrick Diepenbach) Генеральный директор, Benelux Stanley, Egide Walschaertsstraat 14-18 2800 Mechelen, Belgium 05.2020

ДВУХЛЕТНЯЯ ГАРАНТИЯ

Если в течение 24 месяцев с момента приобретения будет обнаружен дефект продукции STANLEY в результате некачественных материалов или некачественного изготовления, то компания STANLEY обеспечит бесплатную замену всех неисправных деталей или (по вашему усмотрению) бесплатную замену устройства при условии, что:

- Продукт не использовали не по назначению и с нарушением инструкций руководство по эксплуатации;

- Изделие имеет следы естественного износа;
- Не предпринимались попытки ремонта не уполномоченными лицами;
- Предоставлено свидетельство покупки.
- Продукт STANLEY возвращен вместе со всеми оригинальными комплектующими
- Продукт не сдавался напрокат

Для подачи требования обратитесь к продавцу, уточните местонахождения ближайшего уполномоченного специалиста по ремонту STANLEY в каталоге STANLEY или обратитесь в местный офис STANLEY по адресу, указанному в данном руководстве. Список авторизованных сервисных центров STANLEY и подробную информацию о послепродажном обслуживании и контактах можно найти на веб-сайте: www.2helpU.com



Приложение к руководству по эксплуатации электрооборудования для определения месяца производства по номеру текущей календарной недели года

Электрооборудование торговых марок "Dewalt", "Stanley", "Stanley FatMAX", "BLACK+DECKER".

Директивы 2014/30/EU ЕВРОПЕЙСКОГО ПАРЛАМЕНТА И СОВЕТА от 26 февраля 2014 г. "О гармонизации законодательств Государств-членов ЕС в области электромагнитной совместимости", 2006/42/EU ЕВРОПЕЙСКОГО ПАРЛАМЕНТА И СОВЕТА от 17 мая 2006 г. "О машинах и оборудовании"; 2014/35/EU ЕВРОПЕЙСКОГО ПАРЛАМЕНТА И СОВЕТА от 26 февраля 2014 г. "О гармонизации законодательств государств-членов в области размещения на рынке электрооборудования, предназначенного для использования в определенных пределах напряжения".
Серийный выпуск.

ТОВАР СЕРТИФИЦИРОВАН

Орган по сертификации "РОСТЕСТ- Москва", Адрес: 119049, г. Москва, улица Житная, д. 14, стр. 1; 117418, Москва, Нахимовский просп., 31 (фактический), Телефон: (499) 1292311, (495) 6682893, Факс: (495) 6682893, E-mail: office@rostest.ru
Изготовитель: Изготовитель: Блэк энд Деккер Холдингс ГмбХ, Германия, 65510, Идштайн, ул. Блэк энд Деккер, 40, тел. +496126212790.

Уполномоченное изготовителем юр.лицо:

ООО "Стэнли Блэк энд Деккер", 117485, город Москва, улица Обручева, дом 30/1, строение 2
Телефон: + 7 (495) 258-3981, факс: + 7 (495) 258-3984, E-mail: info@dewalt.com
Сведения о импортере указаны в сопроводительной документации и/или на упаковке

Хранение.

Необходимо хранить в сухом месте, вдали от источников повышенных температур и воздействия солнечных лучей. При хранении необходимо избегать резкого перепада температур. Хранение без упаковки не допускается

Срок службы.

Срок службы изделия составляет 5 лет. Не рекомендуется к эксплуатации по истечении 5 лет хранения с даты изготовления без предварительной проверки.

Дата изготовления (код даты) указана на корпусе инструмента. Код даты, который также включает год изготовления, отштампован на поверхности корпуса изделия.

Пример:

2014 46 XX, где 2014 – год изготовления, 46-неделя изготовления.

Определить месяц изготовления по указанной неделе изготовления можно согласно приведенной ниже таблице.

Транспортировка.

Категорически не допускается падение и любые механические воздействия на упаковку при транспортировке. При разгрузке/погрузке не допускается использование любого вида техники, работающей по принципу зажима упаковки.

Перечень критических отказов, возможные ошибочные действия персонала.

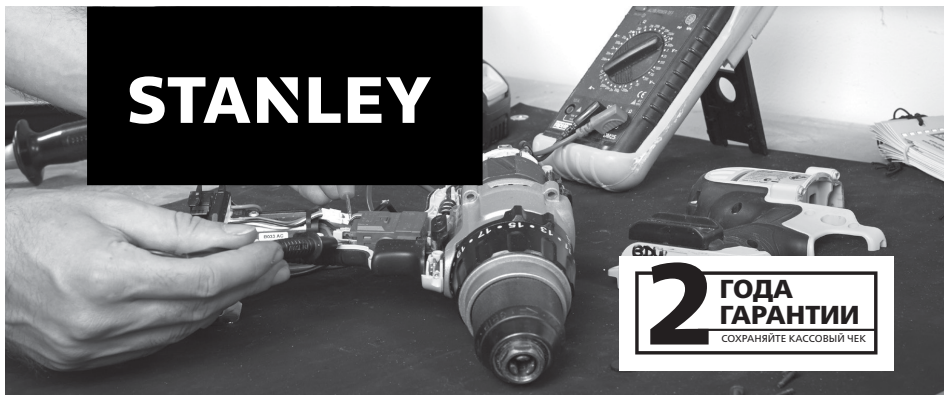
Не допускается эксплуатация изделия:

- При появлении дыма из корпуса изделия
- При поврежденном и/или оголенном сетевом кабеле
- при повреждении корпуса изделия, защитного кожуха, рукоятки
- при попадании жидкости в корпус
- при возникновении сильной вибрации
- при возникновении сильного искрения внутри корпуса

Критерии предельных состояний.

- При поврежденном и/или оголенном сетевом кабеле
- при повреждении корпуса изделия

Месяц	Январь	Февраль	Март	Апрель	Май	Июнь	Июль	Август	Сентябрь	Октябрь	Ноябрь	Декабрь	Год производства
Неделя	1	5	9	14	18	23	27	31	36	40	44	49	2018
	2	6	10	15	19	24	28	32	37	41	45	50	
	3	7	11	16	20	25	29	33	38	42	46	51	
	4	8	12	17	21	26	30	34	39	43	47	52	
			13		22			35			48		
Неделя	1	6	10	14	18	23	27	31	36	40	45	49	2019
	2	7	11	15	19	24	28	32	37	41	46	50	
	3	8	12	16	20	25	29	33	38	42	47	51	
	4	9	13	17	21	26	30	34	39	43	48	52	
	5				22			35		44			
Неделя	1	6	10	14	19	23	27	32	36	40	45	49	2020
	2	7	11	15	20	24	28	33	37	41	46	50	
	3	8	12	16	21	25	29	34	38	42	47	51	
	4	9	13	17	22	26	30	35	39	43	48	52	
	5			18			31		44				
Неделя	2	6	10	14	19	23	27	32	36	41	45	49	2021
	3	7	11	15	20	24	28	33	37	42	46	50	
	4	8	12	16	21	25	29	34	38	43	47	51	
	5	9	13	17	22	26	30	35	39	44	48	52	
				18			31		40		1		
Неделя	2	6	10	15	19	23	28	32	36	41	45	49	2022
	3	7	11	16	20	24	29	33	37	42	46	50	
	4	8	12	17	21	25	30	34	38	43	47	51	
	5	9	13	18	22	26	31	35	39	44	48	52	
			14			27		40			1		



ГАРАНТИЙНЫЕ УСЛОВИЯ

Уважаемый покупатель!

1. Поздравляем Вас с покупкой высококачественного изделия STANLEY и выражаем признательность за Ваш выбор.
 2. При покупке изделия требуйте проверки его комплектности и исправности в Вашем присутствии. В комплекте с инструментом должна быть инструкция по эксплуатации и гарантийные условия производителя на русском языке. Сохраняйте на весь срок гарантии Ваш документ, удостоверяющий факт покупки изделия. Убедитесь, что в чеке указаны: фискальный номер чека, модель/наименование изделия, дата продажи и название торговой организации.
 3. Во избежание недоуражений убедительно просим Вас перед началом работы с изделием внимательно ознакомиться с инструкцией по его эксплуатации. Правовой основой настоящих гарантийных условий является действующее Законодательство. Гарантийный срок на данное изделие составляет 24 месяца/два года со дня продажи. В случае устранения недостатков изделия гарантийный срок продлевается на период его нахождения в ремонте. Срок службы изделия составляет 5 лет со дня продажи.
 4. В случае возникновения каких-либо проблем в процессе эксплуатации изделия рекомендуем Вам обращаться только в уполномоченные сервисные центры STANLEY, адреса и телефоны которых Вы сможете найти на сайте www.2helpu.com или узнать в магазине. Наши сервисные станции это не только квалифицированный ремонт, но и широкий ассортимент запчастей и принадлежностей.
 5. Производитель рекомендует проводить периодическую проверку и техническое обслуживание изделия в уполномоченных сервисных центрах.
 6. Наши гарантийные обязательства распространяются только на неисправности, выявленные в течение гарантийного срока и вызванные дефектами материалов или сборки изделия.
- 7. Гарантийные условия не распространяются на неисправности изделия, возникшие в результате:**
- 7.1. Несоблюдения пользователем предписаний инструкции по эксплуатации изделия, применения изделия не по назначению, неправильному хранению, использования принадлежностей, расходных материалов и запчастей, не предусмотренных производителем.
 - 7.2. Механического повреждения (сколы, трещины и разрушения) внутренних и внешних деталей изделия, основных и вспомогательных



ОБЯЗАТЕЛЬНО СОХРАНИТЕ КАССОВЫЙ ЧЕК

- рукояток, сетевого электрического кабеля, вызванного внешним ударным или любым иным воздействием.
- 7.3. Попадания в вентиляционные отверстия и проникновение внутрь изделия посторонних предметов, материалов или веществ, не являющихся отходами, сопровождающими применение изделия по назначению, такими как: стружка, опилки, песок, и пр.
 - 7.4. Воздействия на изделие неблагоприятных атмосферных и иных внешних факторов, таких как дождь, снег, повышенная влажность, нагрев, агрессивные среды, несоответствие параметров питающей электросети, указанных на инструменте.
 - 7.5. Стихийного бедствия. Повреждение или утрата изделия, связанное с непредвиденными бедствиями, стихийными явлениями, в том числе вследствие действия непреодолимой силы (пожар, вольния, потоп и другие природные явления), а также вследствие перепадов напряжения в электросети и других причинами, которые находятся вне контроля производителя.
- 8. Гарантийные условия не распространяются:**
- 8.1. На инструменты, подвергавшиеся вскрытию, ремонту или модификации вне уполномоченного сервисного центра.
 - 8.2. На детали и узлы, имеющие следы естественного износа, такие как: приводные ремни и колеса, угольные щетки, смазка, подшипники, зубчатое зацепление редукторов, резиновые уплотнения, сальники, направляющие ролики, муфты сцепления, бойки, толкатели, стволы, и т.п.
 - 8.3. На сменные и расходные части: цанги, зажимные гайки и фланцы, фильтры, ножи, шлифовальные подошвы, цепи, звездочки, пильные шины, защитные кожухи, пилки, абразивы, пильные и абразивные диски, фрезы, сверла, буры и т.п.
 - 8.4. На неисправности, возникшие в результате перегрузки инструмента (как механической, так и электрической), повлекшей выход из строя одновременно двух и более деталей и узлов, таких как ротора и статора, обоих обмоток статора, ведомой и ведущей шестерни редуктора или других узлов и деталей. К безусловным признакам перегрузки изделия относятся, помимо прочего: появление цветовой побежалости, деформация или оплавление деталей и узлов изделия, потемнение или облупливание изоляции проводов электродвигателя под воздействием высокой температуры.



Горячая линия

8-800-1000-876

Актуальную информацию об обслуживании в интересующем вас городе вы можете узнать на сайте service.stanley.ru

- Список авторизованных сервисных центров
- Поиск ближайшего сервисного центра
- Руководство по эксплуатации
- Технические характеристики
- Список деталей и запасных частей
- Схема сборки инструмента

15-04-2021

ГАРАНТИЙНОЕ ОБСЛУЖИВАНИЕ

С БЕСПЛАТНОЙ ДОСТАВКОЙ

Теперь вы можете сдать инструмент в сервис, даже если его нет в вашем городе.

Скачать/распечатать инструкцию с сайта

service.stanley.ru



Отметки о проведении сервисного обслуживания

№1	№2	№3	№4
№ заказа	№ заказа	№ заказа	№ заказа
Дата поступления	Дата поступления	Дата поступления	Дата поступления
Дата ремонта	Дата ремонта	Дата ремонта	Дата ремонта
Печать и подпись сервисного центра	Печать и подпись сервисного центра	Печать и подпись сервисного центра	Печать и подпись сервисного центра



ПОДАРОК ЗА ОТЗЫВ*

- 1 Зарегистрируйся на **my.stanley.ru**
- 2 Напиши отзыв о покупке
- 3 Получи подарок на выбор**



*Акция проводится на территории Российской Федерации. Подробные условия акции указаны на **my.stanley.ru**

** Подарок может отличаться от изображенного, актуальный перечень см. на **my.stanley.ru**

ОБЛАСТЬ ЗАСТОСУВАННЯ

Ваш дріль-шурупокрут SCD121 компанії BLACK+DECKER з літій-іонним акумулятором призначений для легких застосувань кріплення і свердління. Цей інструмент призначений для професійного використання.

ІНСТРУКЦІЇ З ТЕХНІКИ БЕЗПЕКИ

Загальні правила безпеки для електричного інструмента



УВАГА! Ознайомтеся з усіма попередженнями, інструкціями з техніки безпеки, зображеннями та специфікаціями, які поставляються з цим електричним інструментом. Невиконання нижченаведених інструкцій може призвести до ураження електричним струмом, пожежі та/або серйозних тілесних ушкоджень.

Збережіть всі попередження та інструкції для використання в майбутньому.

Термін «електричний інструмент» в усіх попередженнях стосується використовуваних вами інструментів, що живляться від мережі енергопостачання (з електричним кабелем) або від акумуляторів (без кабелю).

1. Безпека робочої зони

- Тримайте робочу зону чистою та добре освітленою.** Невпорядковані й темні робочі зони збільшують імовірність нещасного випадку.
- Не використовуйте електричні інструменти у вибухонебезпечній атмосфері, наприклад у присутності займистих рідин, газів та пилу.** Електричні інструменти створюють іскри, що можуть запалити пил або випаровування.
- Тримайте дітей та сторонніх подалі від час використання інструменту.** Відвернення уваги може призвести до втрати контролю.

2. Електрична безпека

- Вилка електричного інструмента має відповідати розетці.** Ніколи жодним чином не змінюйте вилку. Не використовуйте адаптери з заземленими електричними інструментами. Немодифіковані вилки та розетки, що відповідають їм, зменшують ризик ураження електричним струмом.
- Уникайте контакту тіла із заземленими поверхнями, такими як труби, радіатори, плити та холодильники.** Якщо ваше тіло заземлене, збільшується ризик ураження електричним струмом.
- Не залишайте електричні інструменти під дощем або за умов підвищеної вологості.** Вода, що потрапляє в електричний інструмент, підвищує ризик ураження електричним струмом.
- Не використовуйте кабель живлення не за призначенням.** Ніколи не переносьте, не тягніть та не відключайте електричний інструмент від розетки електроживлення за допомогою шнура. Тримайте шнур подалі від високих температур, мастила, гострих предметів та рухомих деталей. Пошкоджені або перекручені шнури підвищують

ризик ураження електричним струмом.

- При використанні електричного інструменту на вулиці, використовуйте подовжувач шнур, що підходить для використання на вулиці.** Використання шнура, що підходить для вулиці, знижує ризик ураження електричним струмом.
 - Якщо неможливо уникнути використання електричного інструменту за умов підвищеної вологості, використовуйте джерело електроживлення, захищене пристроєм залишкового струму (RCD).** Використання RCD знижує ризик ураження електричним струмом.
- ### 3. Особиста безпека
- Будьте в стані готовності, дивіться, що ви робите, та використовуйте загальний глузд, коли ви працюєте з електричним інструментом.** Не використовуйте електричний інструмент, коли ви втомлені або знаходитесь під впливом наркотичних речовин, алкоголю або ліків. Втрата уваги під час роботи з електричним інструментом може призвести до серйозних тілесних ушкоджень.
 - Використовуйте особисті засоби безпеки.** Завжди використовуйте засоби захисту очей. Засоби безпеки, такі як протипилова маска, неслизькі безпечні черевики, захисний шолом та засоби захисту слухового апарату при використанні для відповідних умов зменшують імовірність особистих травм.
 - Уникайте випадкового запуску.** Переконайтеся в тому, що вимикач знаходиться в позиції Вимк. перед підключенням до джерела живлення та/або акумулятора, переміщенням або перенесенням пристрою. Якщо ви переносите інструмент, тримаючи палець на перемикачі, або підключаєте живлення з перемикачем в позиції Увімк., це може призвести до нещасного випадку.
 - Зніміть всі налаштувальні ключі або гайкові ключі перед вмиканням електричного інструмента.** Гайковий ключ, що залишився прикріпленим до якоїсь деталі електричного пристрою, що обертається, може призвести до травм.
 - Не намагайтесь дотягнутись і працювати у незручному положенні.** Завжди утримуйте правильну постановку ніг і рівновагу. Це дає вам змогу краще контролювати інструмент в непередбачуваних ситуаціях.
 - Вдягайте відповідний одяг.** Не вдягайте вільний одяг або прикраси. Тримайте ваше волосся та одяг подалі від рухомих деталей. Вільний одяг, прикраси або довге волосся можуть зачепитися за рухомі деталі.
 - Якщо передбачені пристрої для підключення до засобів виділення та збирання пилу, переконайтеся, що вони правильно підключені та використовуються.** Використання таких пристроїв зменшує ризик виникнення небезпечних ситуацій, що пов'язані з потраплянням пилу.
 - Навіть якщо ви добре знаєте інструмент та часто його використовуйте, не розслабляйтесь і не забувайте про принципи техніки безпеки.** Необережні дії можуть за долю секунди призвести

до важких тілесних ушкоджень.

4. Використання електричного інструмента та догляд за ним

- a. Не застосовуйте надмірні зусилля під час роботи з інструментом. Використовуйте електричний інструмент, який відповідає завданню, що виконується. Правильно обраний інструмент виконає завдання краще та безпечніше за умов, для яких він був розроблений.
 - b. Не використовуйте інструмент, вмикач якого не вмикає та не вимикає його. Будь-який електричний інструмент, який не може управлятися вмикачем, є небезпечним і має бути відремонтований.
 - c. Відключіть вилку від джерела живлення та/або вийміть акумулятор, перш ніж виконувати будь-які налаштування, змінювати додаткове обладнання або зберігати електричний інструмент. Ці профілактичні заходи зменшують ризик випадкового запуску електричного інструмента.
 - d. Зберігайте вимкнені електричні інструменти подалі від дітей та не дозволяйте особам, що не знайомі з електричним інструментом або цими інструкціями, використовувати електричний інструмент. Електричні інструменти є небезпечними, якщо вони використовуються некваліфікованими користувачами.
 - e. Технічне обслуговування електричних інструментів та приладдя. Перевіряйте несумісність або заїдання рухомих деталей, наявність ушкоджених частин та інших умов, що можуть впливати на роботу електричного інструмента. Якщо є пошкодження, відремонтуйте електричний інструмент перед використанням. Багато нещасних випадків є результатом того, що інструмент не пройшов відповідного технічного обслуговування.
 - f. Тримайте ріжучі інструменти гострими та чистими. Правильно доглянуті ріжучі інструменти з гострими ріжучими кромками мають меншу ймовірність заїдання, та ними легше керувати.
 - g. Використовуйте електричний інструмент, додаткові інструменти та деталі інструменту тощо у відповідності до цих інструкцій, зважаючи на умови використання та роботу, яка має бути виконана. Використання електричних інструментів не за призначенням може призвести до виникнення небезпечних ситуацій.
 - h. Всі ручки та поверхні для тримання інструменту повинні бути сухими та без залишків мастила. Слизькі ручки та поверхні для тримання не дають можливості безпечно працювати та контролювати інструмент у неочікуваних ситуаціях.
- 5. Використання та догляд за інструментом, що працює від акумулятора**
- a. Заряджайте інструмент лише за допомогою зарядного пристрою, що вказаний виробником. Зарядний пристрій, що підходить до одного типу акумуляторів, може призвести до пожежі, коли використовується з іншим акумулятором.
 - b. Використовуйте електричні інструменти лише за спеціально розробленими комплектами батарей. Використання інших акумуляторів може

призвести до травм або пожежі.

- c. Коли акумулятори не використовуються, зберігайте їх подалі від металевих предметів, як скріпки, монети, ключі, цвяхи, гвинти або інші невеликі предмети, що можуть призвести до замикання двох контактів. Коротке замикання клем акумулятора може призвести до вибуху або пожежі.
 - d. За невідповідних умов використання рідина може витікати з батареї, уникайте контакту з цією рідиною. Якщо контакт таки стався, промийте забруднену ділянку водою. Якщо рідина потрапила в очі, промийте водою та зверніться до лікаря. Рідина, що витікає з батареї, може призвести до подразнень та опіків.
 - e. Не використовуйте акумулятор або інструмент, який пошкоджено або змінено. Пошкоджені або модифіковані акумулятори можуть поводити себе непередбачуваним чином, призводячи до пожежі, вибуху або тілесним ушкодженням.
 - f. Не піддавайте акумулятор або інструмент впливу вогню або надмірних температур. Вплив вогню або температури вище 130 °C може спричинити вибух.
 - g. Виконуйте всі інструкції щодо зарядки та не заряджайте акумулятор або інструмент за межами температурного діапазону, вказаного в інструкції. Неналежна зарядка або зарядка поза межами вказаного температурного діапазону може пошкодити акумулятор та підвищити ризик пожежі.
- 6. Обслуговування**
- a. Надавайте ваш електричний інструмент для обслуговування кваліфікованим спеціалістом з ремонту та використовуйте тільки ідентичні замініні деталі. Це забезпечить безпеку електричного пристрою.
 - b. Не обслуговуйте пошкоджені акумулятори самостійно. Сервісне обслуговування акумуляторних батарей повинно здійснюватися тільки виробником або уповноваженими постачальниками послуг.

ДОДАТКОВІ ПОПЕРЕДЖЕННЯ З ТЕХНІКИ БЕЗПЕКИ ДЛЯ ЕЛЕКТРИЧНОГО ІНСТРУМЕНТУ



УВАГА! Додаткові попередження з техніки безпеки для дрелі/шурупокрутів

- Використовуйте засоби захисту органів слуху при роботі з ударним дрелем. Шум може призвести до втрати слуху.
- Використовуйте додаткові ручки, що надаються з інструментом. Втрата контролю над інструментом може викликати травми.
- Тримайте електричний інструмент за ізольовану поверхню для тримання під час виконання операцій, коли різальне приладдя може торкнутися схованої проводки. При контакті ріжучих елементів з дротом під напругою може з'явитися напруга в металевих деталях інструмента, що може призвести до ураження оператора електричним струмом.
- Тримайте електричний інструмент за ізольовану поверхню для тримання під час

виконання операцій, коли різальне приладдя може торкнутися схованої проводки. Різучі елементи при контакті з дротом під напругою можуть призвести до появи напруги в інструменті та ураження оператора електричним струмом.

- Використовуйте затискач або інший спосіб закріплення деталі, що оброблюється, на стабільній платформі. Утримування деталі в руці та притискання до тіла робить її нестабільною й може призвести до втрати контролю.
- Перед свердлінням стін, підлоги та стелі переконайтеся, що в цьому місці відсутні електрична проводка та труби.
- Уникайте контакту з кінцем свердла відразу після свердління, тому що він може бути гарячим.
- Використання за призначенням описане в цьому керівництві з використання. Використання аксесуарів або приладдя, виконання будь-яких дій з інструментом, що суперечать рекомендаціям цієї інструкції, може становити небезпеку травмування людини та/або пошкодження майна.

ВКАЗІВКИ З ТЕХНІКИ БЕЗПЕКИ ДЛЯ ДОВГИХ ДРИЛІВ/ШУРУПОКРУТІВ

- Швидкість роботи з інструментом не повинна перевищувати максимальний індекс швидкості свердла.** При роботі на надто високій швидкості свердло може згинатись, якщо обертається вільно, не торкаючись заготовки, і стати причиною травмування.
- Завжди починайте роботу на низькій швидкості та торкайтеся свердлом поверхні заготовки.** При роботі на надто високій швидкості свердло може згинатись, якщо обертається вільно, не торкаючись заготовки, і стати причиною травмування.
- Прикладайте тиск тільки по прямій лінії зі свердлом, але не натискайте занадто сильно.** Свердла можуть згинатись, призводячи до ушкодження або втрати контролю, що може стати причиною травмування.

БЕЗПЕКА ОТОЧУЮЧИХ

- Цей інструмент не призначений для використання особами (включаючи дітей) зі зниженими фізичними, сенсорними або розумовими можливостями, а також особами, яким бракує досвіду або знань, за винятком випадків, коли такі особи працюють під наглядом або отримали інструкції щодо використання інструмента від особи, яка несе відповідальність за їхню безпеку.
- Діти повинні знаходитись під контролем, щоб гарантувати, що вони не будуть грати з пристроєм.

ЗАЛИШКОВІ РИЗИКИ

Під час використання інструмента можуть виникнути додаткові залишкові ризики, які не внесені до попереджень щодо техніки безпеки в цьому посібнику. Ці ризики можуть виникнути як результат неправильного використання, тривалого використання тощо.

Незважаючи на виконання всіх відповідних правил техніки безпеки та використання захисних пристроїв, неможливо уникнути деяких залишкових ризиків. Сюди

належать:

- Травми через контакт з деталями, що рухаються/обертаються.
- Травми при заміні деталей, лез або аксесуарів.
- Травми через занадто тривале використання інструменту. Під час використання будь-якого інструменту протягом тривалого періоду часу не забувайте робити регулярні перерви.
- Порушення слуху.
- Небезпека для здоров'я через вдихання пилу, що утворюється під час використання інструменту (наприклад, при роботі з деревом, особливо з дубом, буком та ДВП)

ЕЛЕКТРИЧНА БЕЗПЕКА

Електричний двигун розроблений для роботи лише з одним значенням напруги. Завжди перевіряйте напругу акумулятора на відповідність напрузі, що зазначена на таблиці технічних даних. Також переконайтеся, що напруга зарядного пристрою відповідає напрузі мережі живлення.



Ваш зарядний пристрій виробництва компанії STANLEY має подвійну ізоляцію відповідно до EN 60335, тому він не потребує заземлювального дроту.

- Якщо кабель живлення пошкоджений, його необхідно замінити на спеціальний кабель, який доступний через офіційні сервіси STANLEY.

ВИКОРИСТАННЯ ПОДОВЖУВАЛЬНОГО КАБЕЛЮ

Використовуйте подовжувальний шнур лише за абсолютної необхідності. Використовуйте лише рекомендований подовжувачий шнур, що відповідає споживаній потужності вашого зарядного пристрою (див. Технічні дані). Мінімальний розмір провідника становить 1 мм²; максимальна довжина – 30 м. При використанні кабельного барабану завжди витягуйте весь кабель.

ВАЖЛИВІ ВКАЗІВКИ З ТЕХНІКИ БЕЗПЕКИ ДЛЯ ВСІХ ЗАРЯДНИХ ПРИСТРОЇВ

Збережіть ці інструкції! У цьому посібнику містяться важливі інструкції з безпеки та експлуатації для зарядного пристрою SC122.

- Перед використанням зарядного пристрою прочитайте всі інструкції та попередження на зарядному пристрої, батареях та продукті, для якого ці батареї використовуються.



ПОПЕРЕДЖЕННЯ: Небезпека ураження електричним струмом. Не допускайте потрапляння рідини в зарядний пристрій. Це може призвести до ураження електричним струмом.



ОБЕРЕЖНО: Ризик отримання опіку. Щоб зменшити ризик травмування, заряджайте лише акумуляторні батареї торгової марки STANLEY. Інші типи батарей можуть вибухнути, спричиняючи травми та пошкодження майна.



ОБЕРЕЖНО: Уважно слідкуйте за тим, щоб діти не гралися з пристроєм.

ПРИМІТКА. За певних умов, якщо зарядний пристрій підключений до джерела живлення, він може бути закорочений за допомогою сторонніх предметів. Сторонні предмети, що проводять струм, наприклад, шліфувальний пил, металева стружка, металева мочалка, алюмінієва фольга або будь-які металеві деталі необхідно тримати подалі від зарядного пристрою. Завжди відключайте зарядний пристрій від розетки, коли акумулятор не встановлений в зарядний пристрій. Відключіть зарядний пристрій від мережі живлення перед його очищенням.

- **НЕ намагайтеся заряджати акумулятор зарядними пристроями, що не вказані у цьому керівництві.** Зарядний пристрій та акумулятор спеціально розроблені так, щоб працювати разом.
- **Ці зарядні пристрої не призначені для іншого використання, крім зарядки акумуляторних батарей від компанії STANLEY.** Інші способи використання можуть призвести до виникнення пожежі або ураження електричним струмом.
- **Не піддавайте зарядний пристрій впливу дощу або снігу.**
- **При відключенні зарядного пристрою від мережі живлення тягніть за вилку, а не за кабель.** Це зменшить ризик пошкодження вилки та кабелю.
- **Переконайтесь, що кабель розміщений так, щоб на нього не наступати, не ходити по ньому та не піддавати його іншому фізичному впливу.**
- **Не використовуйте подовжувачий шнур за винятком випадків, коли це абсолютно необхідно.** Використання невідповідних подовжувачих шнурів може призвести до пожежі або ураження електричним струмом.
- **Не кладіть жодних предметів на зарядний пристрій та не залишайте зарядний пристрій на м'якій поверхні, адже це може призвести до блокування вентиляційних отворів та надмірного нагрівання внутрішніх частин.** Розташуйте зарядний пристрій подалі від джерел тепла. Зарядний пристрій вентилюється крізь отвори у верхній та нижній частинах корпусу.
- **Не використовуйте зарядний пристрій із пошкодженим кабелем або вилкою – їх потрібно негайно замінити.**
- **Не використовуйте зарядний пристрій, якщо той отримав різкий удар, впав або був пошкоджений іншим чином.** Віднесіть його в авторизований сервісний центр.
- **Не розбирайте зарядний пристрій; віднесіть його в авторизований сервісний центр, коли він вимагає технічного обслуговування або ремонту.** Невірні способи використання можуть призвести до виникнення пожежі або ураження електричним струмом.
- У випадку пошкодження кабелю живлення його необхідно негайно замінити, звернувшись до виробника, спеціаліста сервісного центру або іншого кваліфікованого спеціаліста для уникнення

небезпеки.

- **Відключіть зарядний пристрій від розетки перед його очищенням.** Це дозволяє знизити ризик ураження електричним струмом. Зняття акумулятора не знижує ризик.
- **НІКОЛИ не намагайтесь з'єднувати 2 зарядні пристрої.**
- **Цей зарядний пристрій розрахований для роботи зі стандартним побутовим значенням електричної потужності. Не намагайтесь використовувати його з іншою напругою. Це не стосується автомобільних зарядних пристроїв.**

Зарядний пристрій

Зарядний пристрій SC122 приймає літій-іонні акумулятори 12 В макс. / 10,8 В. Зарядний пристрій не потребує налаштування, і спроектований для максимально простої експлуатації.

НАПИСИ НА ІНСТРУМЕНТІ

Наведені нижче символи нанесені на інструмент разом в кодом дати:



УВАГА! Щоб зменшити ризик травм, користувач повинен прочитати посібник з експлуатації.



Завжди носіть захисні окуляри



Завжди носіть захист органів слуху



Видиме випромінювання. Не дивіться на джерело світла.

Позиція коду дати

Код дати, що включає також рік виробництва, наноситься на корпус.

Приклад:

2021 XX JN

Рік виробництва

КОМПЛЕКТАЦІЯ

До комплекту входить:

- 1 Дриль/шурупокрут
- 1 Зарядний пристрій
- 2 Батареї (S2) або 1 Батарея (S1)
- 1 Керівництво з експлуатації

- Перевірте інструмент, деталі та аксесуари на пошкодження, що могли виникнути під час транспортування.
- Перед експлуатацією виробу уважно ознайомтесь з рекомендаціями даного керівництва.

ХАРАКТЕРИСТИКИ (РИС. А)

Цей пристрій має всі або деякі з нижче перерахованих компонентів.

1. Тригерний перемикач
2. Кнопка вперед/назад

3. Налаштувальне кільце крутного моменту
4. Перемикач швидкостей
5. Патрон без ключа
6. Кнопка розблокування акумулятора
7. Акумулятор
8. Світлодіодне джерело робочого світла

МОНТАЖ



УВАГА! Перед збиранням інструменту витягніть з нього батарею.

Процедура зарядки (рис. В)

- Підключіть зарядний пристрій (10) до відповідної розетки перед встановленням акумулятора.
- Вставте акумуляторну батарею (7) у зарядний пристрій. Індикатор зарядки буде блимати постійно, вказуючи на те, що процес зарядки розпочався.
- Після завершення зарядки індикатор зарядки залишається включеним постійно. Це означає, що акумулятор повністю заряджений, може використовуватися відразу або залишатися у зарядному пристрої.

ПРИМІТКА. Щоб забезпечити максимальну продуктивність та тривалість роботи літій-іонної батареї, повністю зарядіть її перед першим використанням.

Процес зарядки

Перегляньте таблиці нижче щодо стану заряду акумуляторної батареї.

State of charge		SC122
charging	--- --	green blink
fully charged	-----	green light
hot/cold battery	-----	red blink
damaged battery	red flash

Затримка через занадто гарячий/холодний акумулятор

Зарядний пристрій SC122 має функцію затримки гарячої/холодної акумуляторної батареї. Коли зарядний пристрій виявить гарячу акумуляторну батарею, він автоматично затримує зарядку, поки батарея не охолоне. Коли зарядний пристрій виявить холодну акумуляторну батарею, він автоматично затримує зарядку, поки батарея не нагріється. Червоний індикатор продовжуватиме блимати і пристрій не може почати процедуру зарядки. Як тільки акумуляторна батарея охолоне, зарядний пристрій відновить процедуру зарядки.

Пошкоджена батарея

Зарядний пристрій може визначити розряджену або пошкоджену батарею. Червоний світлодіод буде горіти в спосіб, який вказано на ярлику. Якщо ви побачите цю схему блимання пошкодженої акумуляторної батареї, не продовжуйте заряджати акумуляторну батарею. Поверніть її в сервісний центр або на місце збору для переробки.

Електронна система захисту

Li-Ion батареї компанії STANLEY розроблені з електронною системою захисту, яка захистить акумулятор від перевантаження, перегрівання або глибокого розряду.

Пристрій автоматично вимикається, якщо спрацює електронна система захисту. В цьому випадку встановіть літій-іонний акумулятор в зарядний пристрій до упору.

Важливі вказівки з техніки безпеки для всіх акумуляторних батарей

При замовленні запасних акумуляторних батарей обов'язково вкажіть номер по каталогу та напругу.

Новий акумулятор заряджений не повністю.

Перед використанням акумулятора та зарядного пристрою прочитайте всі нижче наведені інструкції з техніки безпеки. Після цього виконайте всі вказані пункти процедури зарядки.

Прочитайте всі інструкції

- **Не заряджайте та не використовуйте акумулятор у вибухонебезпечних умовах, наприклад в присутності легкозаймистих рідин, газів або пилу.** Під час встановлення або виймання батареї з зарядного пристрою може спалахнути пил або пара.
- **На прикладайте зусилля, вставляючи акумулятор в зарядний пристрій.** Жодним чином не модифікуйте акумулятор, аби встановити його в несумісний зарядний пристрій, адже акумулятор може розірватися та спричинити серйозні травми.
- Заряджайте акумуляторні батареї тільки в зарядних пристроях компанії STANLEY.
- **НЕ занурюйте акумулятор у воду та інші рідини та не бризкайте на нього.**
- **Не зберігайте та не використовуйте інструмент та акумулятор у місцях, де температура може досягати або перевищувати 40 °C (105 °F) (наприклад, поза гаражами або металевими будівлями влітку).**



ПОПЕРЕДЖЕННЯ: За жодних умов не намагайтесь відкрити акумулятор. За будь-якого пошкодження акумулятора не встановлюйте його у зарядний пристрій.

Не бийте, не кидайте та не пошкодуйте акумулятор. Не використовуйте акумулятор та зарядний пристрій, що отримали значний удар, впади або були пошкоджені іншим чином (наприклад, були проколоті цвяхом, вдарені молотком, на них наступили). Це може призвести до ураження електричним струмом. Пошкоджені акумулятори необхідно повернути до сервісного центру ля переробки.



ОБЕРЕЖНО: Коли інструмент не використовується, залишайте його на боці на стабільній поверхні в такому місці, де через нього не можна перечепитися та впасти. Деякі інструменти з великими

акумуляторами можна ставити на акумулятор, однак їх легко перевернути.

Спеціальні інструкції з безпеки для літій-іонних батарей (Li-Ion)

- **Не спалюйте акумулятор, навіть якщо він сильно пошкоджений або повністю зношений.** Акумулятор може вибухнути у вогні. Коли літій-іонні акумулятори горять, утворюються токсичні випаровування та речовини.
- **Якщо вміст акумулятора потрапив на шкіру, негайно промийте це місце м'яким мильним розчином та водою.** Якщо рідина з акумулятора потрапила в очі, промийте відкрите око протягом 15 хвилин або доки подразнення не зникне. Якщо необхідно, зверніться до лікаря; акумуляторний електрикліт складається з суміші рідких органічних вуглекислих солей та солей літію.

Рідкі органічні вуглекислі соли та соли літію.

- **Вміст відкритого акумулятора може спричинити подразнення дихальних шляхів.** Вийдіть на свіже повітря. Якщо симптоми не зникнуть, зверніться до лікаря.



ПОПЕРЕДЖЕННЯ: Ризик отримання опіку. Рідина з акумулятора може спалахнути, якщо на неї потрапить іскра або полум'я.

Транспортування

Акумуляторні батареї STANLEY відповідають усім діючим правилам щодо судноплавства, як це передбачено галузевими та законодавчими стандартами, які включають рекомендації ООН щодо перевезення небезпечних вантажів; Міжнародні правила авіаційного транспорту (IATA) щодо небезпечних вантажів, Правила міжнародних морських небезпечних вантажів (IMDG) та Європейська угода щодо міжнародного автомобільного перевезення небезпечних вантажів (ADR). Літій-іонні елементи живлення та акумулятори були перевірені відповідно до розділу 38.3 керівництва з тестів та критеріїв щодо перевезення небезпечних вантажів Рекомендацій ООН. У більшості випадків доставку акумуляторної батареї STANLEY буде виключено з класифікації як повністю регульований матеріал безпеки Класу 9. Загалом існує два випадки, що вимагають перевезення Класу 9:

1. Повітряна доставка більше двох літій-іонних акумуляторних батарей STANLEY, коли пакунок містить лише акумуляторні батареї (відсутні інструменти), та
2. Будь-який вантаж, що містить літій-іонний акумулятор з енергетичним показником, який перевищує 100 Ватт-годин (Вт). Усі літій-іонні акумулятори мають на упаковці номінальну ватт-годину.

Незалежно від того, чи вважається відвантаження виключеним або повністю регульованим, вантажовідправник зобов'язаний дотримуватися останніх нормативних актів щодо вимог упаковки, розміщення міток/маркування та документації.

Під час перевезення акумуляторів може виникнути пожежа, якщо контакти акумулятора випадково вийдуть в контакт з електропровідним матеріалом. При перевезенні акумуляторів переконайтеся, що їхні контакти захищені та добре ізольовані від матеріалів, які можуть увійти з ними в контакт та викликати коротке замикання.

Інформація, що наводиться у цьому розділі посібника, сумлінно перевірена та вважається дійсною на момент

складання документації. Проте чинні нормативи можуть підлягати змінам. Покупець несе відповідальність за те, щоб його дії відповідали певним нормам.

Акумулятор

Тип батареї

SCD121 працює від батареї напругою як на 12 В, так і на 10,8 В.

Рекомендації стосовно зберігання

1. Найкращим місцем для зберігання інструмента є прохолодне сухе місце, куди не потрапляють прямі сонячні промені та немає доступу тепла та холоду. Для оптимальної продуктивності та терміну служби батарей зберігайте їх за кімнатної температури, коли вони не використовуються.
2. При тривалому зберіганні для оптимального результату рекомендується помістити повністю заряджений акумулятор в сухе прохолодне місце, вийнявши його з зарядного пристрою.

ПРИМІТКА. Не рекомендується зберігати акумулятор повністю розрядженим. Акумулятор потрібно перезарядити перед використанням.

Мітки на зарядному пристрої та акумуляторній батареї

Крім символів, що використовуються у цьому керівництві, етикетки на зарядному пристрої та акумуляторі можуть містити наведені нижче позначки.



Прочитайте інструкції цього керівництва перед використанням.



Див. технічні дані щодо часу зарядки.



Акумулятор заряджається.



Акумулятор заряджений.



Акумулятор пошкоджений.



Затримка через занадто гарячий/холодний акумулятор.



Не торкайтеся електропровідними предметами.



Не заряджайте пошкоджені акумулятори.



Не надавайте впливу води.



Негайно замінійте пошкоджений дріт живлення.



Заряджайте акумулятор за температури 4-40 °С.



Лише для використання в приміщенні.



Утилізуйте акумулятори з належною турботою про навколишнє середовище.



Заряджайте акумуляторні батареї STANLEY тільки із призначеними для цього зарядними пристроями STANLEY. Зарядження акумуляторних батарей, відмінних від призначених батарей компанії STANLEY із зарядним пристроєм STANLEY, може призвести до їх розриву або до інших небезпечних ситуацій.



Не спалюйте акумулятори.

МОНТАЖ ТА НАЛАШТУВАННЯ



ПОПЕРЕДЖЕННЯ: Перед монтажем та налаштуванням завжди виймайте акумулятор. Виймайте інструмент перед встановленням та видаленням акумулятора.



ПОПЕРЕДЖЕННЯ: Використовуйте лише акумулятори та зарядні пристрої фірми STANLEY.

Вставлення та виймання акумуляторної батареї з інструментом (рис. С)



ПОПЕРЕДЖЕННЯ: Щоб знизити ризик серйозних травм, встановіть кнопку реверсу (вперед/назад) у положення блокування або вимкніть інструмент та відключіть акумулятор перед виконанням будь-яких налаштувань або зніманням/встановленням насадок або аксесуарів. Випадковий запуск може призвести до тілесних ушкоджень.

ПРИМІТКА. Переконайтесь, що акумуляторна батарея (6) повністю заряджена.

Щоб встановити акумуляторну батарею в ручку інструменту

1. Вирівняйте акумуляторну батарею з рейками всередині ручки.
2. Встановіть її міцно на місце, поки не почуєте, як замок надійно зафіксується на місці.

Виймання акумулятора з ручки інструмента

1. Натисніть кнопку відпускання (5) та витягніть акумулятор з ручки інструменту.
2. Вставте акумулятор у зарядний пристрій, як описано

у розділі щодо зарядного пристрою цього посібника.

ВИКОРИСТАННЯ

Вірне положення рук (рис. А, Н)



ПОПЕРЕДЖЕННЯ: Щоб знизити ризик серйозних травм, **ЗАВЖДИ** правильно розташуйте руки, як показано на рисунку.



ПОПЕРЕДЖЕННЯ: Щоб знизити ризик серйозних травм, **ЗАВЖДИ** надійно тримайте інструмент, щоб попередити випадкову віддачу. Для правильного положення використовуйте одну руку на головній ручці (9).

Вибір напрямку обертання (рис. D)

Для затягування використовуйте обертання вперед (за годинниковою стрілкою). Для викручування шурупів використовуйте зворотне (проти годинникової стрілки) обертання.

- Щоб обрати обертання вперед, змістіть перемикач вперед/назад (2) вліво.
- Щоб обрати обертання назад, змістіть перемикач вперед/назад вправо.
- Щоб заблокувати інструмент, переведіть реверсивний перемикач у центральне положення.
- При зміні положення кнопки переконайтесь, що тригер відпущений.

Тригерний перемикач (рис. А)

Щоб увімкнути інструмент, натисніть на тригерний перемикач (1). Відпустіть тригерний перемикач, щоб вимкнути інструмент. Ваш інструмент оснащено гальмом. Патрон зупиниться, коли тригерний перемикач повністю відпущений.

Тригерний перемикач змінної швидкості дозволяє вибрати найкращу швидкість для конкретного застосування. Чим далі ви будете натискати курок, ти швидше буде обертатись інструмент. Для подовження терміну служби інструменту використовуйте змінну швидкість тільки на початку свердління отворів або закочування кріпильних елементів

ПРИМІТКА. Постійне використання у змінному діапазоні швидкостей не рекомендується. Це може призвести до пошкодження перемикача.

Налаштувальне кільце крутного моменту (рис. А, D)

На налаштувальне кільце крутного моменту (3) нанесені цифри і символ свердла. Повертайте налаштувальне кільце до встановлення потрібного значення у верхній частині інструменту. На кільці передбачені вказівники для уникнення неточностей при виборі крутного моменту.

Чим більше цифра на кільці, тим більший крутний момент і тим більший розмір кріпильної деталі, яку потрібно використати. Для блокування муфти в режимі свердління перемістіть її у положення свердла.

ПРИМІТКА. При використанні дрילה/шурупокрута для свердління отворів переконайтесь, що налаштувальне кільце крутного моменту встановлено так, щоб цифра свердління відповідала центральній лінії у верхній частині інструменту. Інакше на початку свердління налаштувальне кільце буде рухатись.

Перемикач швидкості (рис. А, D)

Двошвидкісний редуктор вашого дріль/шурупокрута дозволяє легко перемикатися з однієї швидкості на іншу для максимальної універсальності застосування інструменту.

Щоб обрати повільну швидкість, високий крутний момент, вимкніть інструмент та зачекайте його повної зупинки. Перемістіть перемикач швидкості (4) уперед (до затискного патрона). Щоб обрати високу швидкість, низький крутний момент, вимкніть інструмент та зачекайте його повної зупинки. Перемістіть перемикач швидкості назад (від затискного патрона).

ПРИМІТКА. Не змінюйте швидкість під час роботи пристрою. Якщо у вас виникли проблеми зі зміною швидкості, переконайтесь, що перемикач швидкості переміщений повністю вперед або повністю назад.

Світлодіодний індикатор роботи

Світлодіодний індикатор роботи (8) розташований під налаштувальним кільцем крутного моменту (3) і спрацьовує автоматично при натисканні на тригерний перемикач. Світлодіодний індикатор роботи загориться, коли перемикач частково натиснений перед запуском інструменту.

ПРИМІТКА. Світлодіодний індикатор роботи призначений для освітлення безпосередньої робочої поверхні і не призначене для використання в якості ліхтарика.

Патрон без ключа (рис. E)

Ваш інструмент оснащено безключовим патроном з однієї поворотною муфтою, що дозволяє змінювати насадки однією рукою. Щоб вставити свердел або іншу насадку, виконайте наступні кроки.

1. Заблокуйте тригерний перемикач у положенні ВІМК., як було описано вище.
2. Однією рукою візьміть задню муфту патрона, а другою рукою утримуйте інструмент. Повертайте муфту проти годинникової стрілки, поки вона не зрушиться на відстань, що дозволяє вставити потрібну насадку.
3. Вставте приладдя діаметром близько 19 мм (3/4 дюйма) у патрон і надійно його затягніть, однією рукою повертаючи муфту затискного патрона за годинниковою стрілкою, а другою рукою утримуючи інструмент. Ваш інструмент оснащений механізмом автоматичного блокування шпинделя. Цей механізм дозволяє відкривати і затягувати патрон однією рукою. Щоб витягнути насадку, повторіть описаний вище крок 2.



ПОПЕРЕДЖЕННЯ: Не намагайтеся затягувати свердел (або іншу насадку), тримаючи передню частину патрона та вмикаючи інструмент. Це може призвести до ушкодження патрона та травм. При зміні насадок завжди блокуйте тригерний перемикач.

Для надійної фіксації насадки завжди затягуйте патрон, повертаючи муфту однією рукою і утримуючи інструмент іншою рукою.

Зняття патрона (рис. F)

Поверніть налаштувальну муфту в позицію

«свердління», а перемикач швидкостей – у положення 1 (низька швидкість). Затисніть у патроні короткий кінець шестигранного ключа (не входить до комплексу інструмента) діаметром 6,35 мм (1/4 дюйма) або більше. Дерев'яним молотком або схожим предметом ударяйте по довшому кінцю ключа, повертаючи його за годинниковою стрілкою, як показано на рисунку. Таким чином, гвинт всередині патрона буде ослаблений.

Повністю розкрийте кулачки патрона і вставте викрутку (або зіркоподібну насадку, якщо потрібно) у передню частину патрона між кулачками, досягаючи головки гвинта. Відкрутіть гвинт за годинниковою стрілкою (ліве різьблення) і витягніть його. Вставте в патрон шестигранний ключ і затягніть, як показано на рисунку F. Дерев'яним молотком або схожим предметом ударяйте по ключу, повертаючи його проти годинникової стрілки. Таким чином, патрон буде послаблений, і його можна буде відкрутити вручну.

Встановлення патрона (рис. G)

Нагвинтіть патрон однією рукою наскільки можливо і вставте гвинт (ліве різьблення). Надійно затягніть гвинт. Затисніть у патроні короткий кінець шестигранного ключа діаметром 6,35 мм (1/4 дюйма) або більше (не входить до комплексу інструмента) і дерев'яним молотком вдарте по довшому кінцю, повертаючи його за годинниковою стрілкою, як показано на рисунку. Знову затягніть гвинт, повертаючи його у напрямку проти годинникової стрілки.

Свердління



ПОПЕРЕДЖЕННЯ: Щоб знизити ризик серйозних травм, вимкніть інструмент та відключіть його від мережі живлення перед виконанням будь-яких налаштувань або змінанням/встановленням насадок чи аксесуарів.



ПОПЕРЕДЖЕННЯ: Щоб знизити ризик отримання травми, **ЗАВЖДИ** надійно закріплюйте заготовку. При свердлінні тонких матеріалів підкладайте дерев'яний брусок, щоб уникнути їх пошкодження.

Поверніть муфту і встановіть її на символ свердла. За допомогою перемикача швидкостей встановіть швидкість і крутний момент, оптимальні для виконання певного завдання.

- 1 Завжди використовуйте гострі свердла. Для свердління ДЕРЕВА використовуйте спіральні свердла, долотчасті свердла або коронки. Для свердління МЕТАЛУ використовуйте високошвидкісні спіральні свердла зі сталі або коронки.
- 2 Завжди натискайте на інструмент, спрямовуючи силу по прямій лінії зі свердлом. Натискайте так, щоб свердел продовжував робити отвір, але не дуже сильно, щоб не спричинити заїдання мотору та згинання свердла.
- 3 Міцно тримайте інструмент обома руками, щоб контролювати обертання свердла.



УВАГА! У разі перевантаження через раптове закручування свердла інструмент може зупинитися. Завжди визначаєте причину заїдання. Міцно утримуйте інструмент обома руками, щоб була можливість контролювати

повороти свердла і уникнути травм.

- 4 **ЗАІДАННЯ ДРИЛЯ** зазвичай відбувається через перевантаження або неправильне використання інструменту. **ВІДРАЗУ ВІДПУСТИТЬ ПЕРЕМИКАЧ**, витягніть свердел з заготовки і визначте причину заїдання. **НЕ ВМИКАЙТЕ/ВИМИКАЙТЕ ТРИГЕР, НАМАГАЮЧИСЬ ЗАПУСТИТИ МОТОР – ЦЕ МОЖЕ ПОШКОДИТИ ДРИЛЬ.**
- 5 Щоб зменшити заїдання або прорив матеріалу, зменшіть тиск на дріль і пропустіть його через останню частину отвору. Не вмикайте двигун, коли витягуєте свердело з просверделеного отвору. Це дозволить уникнути заїдання.
- 6 При використанні дреля зі змінною швидкістю немає необхідності у попередньому кернінні місця свердління. Починаючи свердління отвору, використовуйте низьку швидкість і шляхом натискання на перемикач поступово збільшуйте швидкість, поки отвір не буде достатньо глибоким, щоб свердел з нього не вискочив.

Використання шурупокрута

За допомогою двошвидкісного перемикача швидкостей на верхній частині інструменту встановіть швидкість і крутний момент, оптимальні для виконання певного завдання. Вставте в патрон відповідну насадку-вирітку у таких самий спосіб, як і свердел. Виконайте кілька пробних вкручувань у відходи матеріалу або у непомітному місці, щоб визначити правильну позицію муфти установки крутного моменту.

Максимальна рекомендована глибина

	Н и з ь к а ш в и д к і с ь т ь –1	Н и з ь к а ш в и д к і с ь т ь –2
Свердла, свердління металу	6,00 мм	3,00 мм
Деревина, плоский свердел	19,00 мм	12,00 мм
Коронки	19,00 мм	16,00 мм

ТЕХНІЧНЕ ОБСЛУГОВУВАННЯ

Ваш електричний інструмент виробництва компанії STANLEY призначений для роботи протягом довгого часу з мінімальним обслуговуванням. Тривала задовільна робота приладу залежить від належного обслуговування приладу та регулярного його очищення.



ПОПЕРЕДЖЕННЯ: Щоб зменшити ризик виникнення серйозних травм, поставте кнопку вперед/назад у заблоковане положення або вимкніть інструмент і від'єднайте акумуляторну батарею, перш ніж проводити будь-які регулювання чи виймання/встановлення приладу чи аксесуарів. Випадковий запуск може призвести до тілесних ушкоджень.

Зарядний пристрій та акумулятор не підлягають обслуговуванню. Всередині немає запчастин, які можна

ремонтувати.



Змащування

Ваш електричний інструмент не вимагає додаткового змащування.



Очищення



ПОПЕРЕДЖЕННЯ: Коли пил та бруд стають помітними та починають накопичуватися біля вентиляційних отворів, видавайте бруд та пил зсередини основного корпусу за допомогою сухого повітря. Під час виконання цієї операції використовуйте рекомендовані засоби захисту органів зору та рекомендовану протипилкову маску.



ПОПЕРЕДЖЕННЯ: Ніколи не використовуйте розчинники та інші агресивні хімічні засоби для очищення неметалевих деталей інструмента. Такі хімічні речовини можуть нанести шкоду матеріалам, що використовуються в цих деталях. Використовуйте вологу ганчірку, змочену лише водою з м'яким милом. Не дозволяйте рідині потрапляти всередину інструмента та ніколи не занурюйте деталі інструмента в рідину.

Інструкції по очищенню зарядного пристрою



ПОПЕРЕДЖЕННЯ: Небезпека ураження електричним струмом. Відключіть зарядний пристрій від розетки змінного струму перед його очищенням. Бруд та жир можна видалити з поверхні зарядного пристрою за допомогою ганчірки або м'якої неметалевої щітки. Не використовуйте воду та мийні розчини.

Додаткове приладдя



УВАГА! Оскільки аксесуари, окрім тих, що пропонуються компанією STANLEY, не були випробувані з цим виробом, використання таких аксесуарів з цим інструментом може бути небезпечним. Щоб зменшити ризик отримання травм, з цим виробом слід використовувати аксесуари, рекомендовані тільки STANLEY. Зверніться до дилера для отримання додаткової інформації щодо відповідного приладдя.

ЗАХИСТ НАВКОЛИШНЬОГО СЕРЕДОВИЩА



Роздільний збір. Даний виріб не можна викидати разом зі звичайним побутовим сміттям.

Якщо ви визначите, що ваш виріб виробництва компанії STANLEY не підлягає подальшій експлуатації або потребує заміни, не утилізуйте його разом з побутовими відходами. Цей виріб необхідно утилізувати в місцях роздільного збору сміття.



Компанія STANLEY забезпечує можливість збору та переробки продукції STANLEY по закінченню терміну її експлуатації. Щоб скористатися цією послугою, поверніть свій пристрій

у сервісний центр, який забере його від нашого імені. Ви можете знайти місцезнаходження найближчого до вас сервісного центру, звернувшись до місцевого офісу компанії STANLEY за адресою, зазначеною у цій інструкції. Крім того, список офіційних сервісних центрів компанії STANLEY з усіма подробицями нашого післяпродажного обслуговування та контактною інформацією знаходиться в Інтернеті за адресою: www.2helpU.com.

Акумуляторні батареї



Батареї STANLEY можна перезаряджати багато разів. В кінці їхнього строку служби викиньте батареї, не забуваючи про навколишнє середовище:

- Батарея повинна бути повністю розряджена, потім витягніть її з інструменту.
- Батареї типів NiCd (нікель-кадмієві), NiMH (нікель-металогідридні) та Li-Ion (літій-іонні) підлягають переробці. Віднесіть їх в будь-який офіційний ремонтний центр або на місцеву переробку станцію.

ПРИМІТКИ

Політика компанії STANLEY спрямована на постійне вдосконалення нашої продукції, тому ми залишаємо за собою право змінювати технічні характеристики продукції без попереднього повідомлення. Стандартне обладнання та приладдя можуть відрізнятися в залежності від країни. Технічні характеристики продукції можуть відрізнятися в залежності від країни. Повний асортимент продукції може бути доступний не у всіх країнах. Зверніться до місцевих дилерів компанії STANLEY щодо наявного асортименту продукції

ІНФОРМАЦІЯ З ОБСЛУГОВУВАННЯ

Компанія STANLEY пропонує повну мережу офіційних центрів обслуговування, що належать компанії. В усіх центрах обслуговування компанії STANLEY працюють кваліфіковані спеціалісти, які надають клієнтам ефективне та надійне обслуговування електричного інструменту. Для отримання додаткової інформації про офіційні центри та якщо вам потрібна технічна консультація, ремонт або оригінальні заводські замінні частини, зверніться до найближчого офісу компанії STANLEY

ТЕХНІЧНІ ХАРАКТЕРИСТИКИ

ДРИЛЬ-ШУРУПОКРУТ SCD121

Напруга	V _{пост. струму}	12 В макс.
Швидкість без навантаження		
1-а швидкість	об/хв.	0-400
2-а швидкість	об/хв.	0-1500
Макс. крутний момент	Н·м	26
Найбільший діаметр свердла, що затискається в патроні	мм	10

Максимальна глибина свердління:

Деревина	мм	20
Сталь	мм	10

Зарядний пристрій SC122

Вхідна напруга	V _{змін. струму}	220-240
Вихідна напруга	V _{пост. струму}	12
Вихідний струм (пост. струм)	A	1,25
Приблизний час першого зарядження	хв.	70 (1,5 А-год.)

Акумуляторна батарея SB12S

Напруга	V _{пост. струму}	12
Ємність	Ампер-годин	1,5
Тип		Літій-іонна

РІВЕНЬ ЗВУКОВОГО ТИСКУ ЗГІДНО З EN 62841:

Звуковий тиск (L _{РА})	дБ(A)	82
Похибка звукового тиску (K _{РА})	дБ(A)	5
Рівень звукової потужності (L _{WA})	дБ(A)	93
Похибка акустичної потужності (K _{WA})	дБ(A)	5

ЗАГАЛЬНІ ЗНАЧЕННЯ ВІБРАЦІЇ (ВЕКТОРНА СУМА ТРЬОХ ВЕКТОРІВ)

ВІДПОВІДНО ДО EN 62841:

Свердління по металу (a _{HT})	м/с ²	1,1
Похибка (K)	м/с ²	1,5

ВІБРАЦІЯ

Значення вібрації, вказані в технічних даних та в декларації про відповідність, були виміряні з дотриманням стандартних методів тестування, наданих в EN 62841, та можуть використовуватися для порівняння одного інструменту з іншим. Задекларовані значення вібрації можна також використовувати для попередньої оцінки впливу вібрації.



УВАГА! Значення вібрації під час використання інструмента може відрізнятися від задекларованого в залежності від способів використання інструмента. Рівень вібрації може перевищувати вказані значення.

Оцінюючи вплив вібрації для визначення заходів безпеки за вимогами 2002/44/EC, щоб захистити людей, які регулярно використовують інструменти в роботі,

необхідно враховувати реальні умови та способи використання інструмента, у тому числі всі періоди робочого циклу, наприклад часу, коли інструмент вимкнено та коли він знаходиться в режимі очікування, а також часу реальної роботи інструмента.

зверніться до місцевого офісу компанії STANLEY за адресою, зазначеною у цьому посібнику. Список офіційних сервісних центрів компанії STANLEY з усіма подробицями нашого післяпродажного обслуговування та контактною інформацією міститься в інтернеті за адресою: www.2helpU.com

Декларація про відповідність нормам ЄС
ДИРЕКТИВА ДЛЯ МЕХАНІЧНОГО ОБЛАДНАННЯ



Дриль-шурупокрут SCD121

Компанія STANLEY заявляє, що ця продукція, що описана у розділі «Технічні дані», відповідає вимогам стандартів: 2006/42/EC, EN 62841-1:2009 + A11:2010, EN62841-2-1:2018+A11:2019

Ці продукти також відповідають вимогам Директив 2014/30/EU та 2011/65/EU. Для отримання додаткової інформації, будь ласка, зверніться до компанії STANLEY за наступною адресою або прочитайте інформацію на зворотній стороні цього посібника.

Нижчепідписаний несе відповідальність за упорядкування файлу технічних характеристик та робить цю заяву від імені компанії STANLEY.



Виробник:
"Stanley Black & Decker Deutschland GmbH" Black-&-Decker Str.40, D-65510 Idstein, Німеччина

060

Patrick Diepenbach

Патрік Діпенбах (Patrick Diepenbach) Генеральний директор, БенедюкcStanley, Egide Walschaertsstraat 14-18 2800 Mechelen, Бельгія
05.2020

ДВОРІЧНА ГАРАНТІЯ

Якщо продукт компанії STANLEY стає несправним через неякісні матеріали, конструкцію або невідповідність вимогам протягом 24 місяці з дня покупки, компанія STANLEY гарантує безкоштовну заміну несправних деталей або – за нашим рішенням – безкоштовну заміну пристрою у наступних випадках:

- Продукт використовувався лише за призначенням та відповідно до цих інструкцій;
- Продукт зазнав нормального зносу;
- Не виконувався ремонт сторонніми особами;
- Надається підтвердження покупки;
- Продукт компанії STANLEY повертається з усіма оригінальними компонентами
- Продукт не використовувався з метою прокату

Якщо ви бажаєте подати позов, зверніться до свого продавця або у найближчий сервісний центр компанії STANLEY, що вказані у каталозі STANLEY, або

STANLEY

ГАРАНТІЙНИЙ ТАЛОН

2 РОКИ
ГАРАНТІЇ

1. Вітаємо Вас з покупкою високоякісного виробу Stanley і висловлюємо вдячність за Ваш вибір.
2. При покупці виробу вимагайте перевірки його комплектності і справності у Вашій присутності, інструкцію з експлуатації та заповнений гарантійний талон українською мовою. В гарантійному талоні повинні бути внесені: модель, дата продажу, серійний номер, дата виробництва інструменту; назва, печатка і підпис торгової організації. За відсутності у Вас правильно заповненого гарантійного талону, а також при невідповідності зазначених у ньому даних ми будемо змушені відхилити Ваші претензії щодо якості даного виробу.
3. Щоб уникнути непорозуміння, переконливо просимо Вас перед початком роботи з виробом уважно ознайомитися з інструкцією з його експлуатації. Правовою основою справжніх гарантійних умов є чинне Законодавство. Гарантійний термін на даний виріб складає 24 місяці і обчислюється з дня продажу. У разі усунення недоліків виробу, гарантійний строк продовжується на період його перебування в ремонті. Термін служби виробу становить 5 років з дня продажу.
4. У разі виникнення будь-яких проблем у процесі експлуатації виробу рекомендуємо Вам звертатися тільки в уповноважені сервісні центри Stanley, адреси та телефони яких Ви зможете знайти в гарантійному талоні, на сайті www.2helpU.com або дізнатися в магазині. Наші сервісні станції - це не тільки кваліфікований ремонт, але і широкий асортимент запчастин і аксесуарів.
5. Виробник рекомендує проводити періодичну перевірку і технічне обслуговування виробу в уповноважених сервісних центрах.
6. Наші гарантійні зобов'язання поширюються тільки на несправності, виявлені протягом гарантійного терміну і викликані дефектами виробництва та \ або матеріалів.
7. Гарантійні умови не поширюються на несправності виробу, що виникли в результаті:
 - 7.1. Недотримання користувачем приписів інструкції з експлуатації виробу, застосування виробу не за призначенням, неправильного зберігання, використання приладдя, витратних матеріалів і запчастин, що не передбачені виробником.
 - 7.2. Механічного пошкодження (відколи, тріщини і руйнування) внутрішніх і зовнішніх деталей виробу, основних і допоміжних рукояток, мережевого кабелю, що викликані зовнішнім ударним або будь-яким іншим впливом
 - 7.3. Потраплення у вентиляційні отвори та проникнення всередину виробу сторонніх предметів, матеріалів або речовин, що не є відходами, які супроводжують застосування виробу за призначенням, такими як: стружка, тирса, пісок, та ін
 - 7.4. Впливу на виріб несприятливих атмосферних і інших зовнішніх факторів, таких як дощ, сніг, підвищена вологість, нагрівання, агресивні середовища, невідповідні параметри електромережі, що зазначені на інструменті.
 - 7.5. Стихійного лиха. Пошкодження або втрати виробу, що пов'язані з непередбаченими лихами, стихійними явищами, у тому числі внаслідок дії непереборної сили (пожежа, блискавка, потоп і інші природні явища), а також внаслідок перепадів напруги в електромережі та іншими причинами, які знаходяться поза контролем виробника.
8. Гарантійні умови не поширюються:
 - 8.1. На інструменти, що піддавались розкриттю, ремонту або модифікації поза уповноваженим сервісним центром.
 - 8.2. На деталі, вузли та матеріали, що мають сліди природного зносу, такі як: приводні ремені і колеса, вугільні щітки, мастило, підшипники, зубчасті зчеплення редукторів, гумові ущільнення, сальники, направляючі ролики, муфти, вижимачі, бойки, штовхачі, стволи тощо.
 - 8.3. На змінні частини: патрони, цапки, затиски гайки і фланці, фільтри, ножі, шліфувальні підшови, ланцюги, зірочки, пильні шини, захисні кожухи, пилки, абразиви, пильні і абразивні диски, фрези, свердла, бури тощо
 - 8.4. На несправності, що виникли в результаті перевантаження інструменту (як механічного, так і електричного), що спричинили вихід з ладу одночасно двох і більше деталей і вузлів, таких як: ротора і статора, обох обмоток статора, веденої і ведучої шестерень редуктора або інших вузлів і деталей. До безумовних ознак перевантаження виробу відносяться, крім інших: поява кольорів мінливості, деформація або оплавлення деталей і вузлів виробу, потемніння або обуглювання ізоляції проводів електродвигуна під впливом високої температури.

Товар отриманий в справному стані, без видимих ушкоджень, в повній комплектції, перевірений у моєї присутності, претензії щодо якості товару не маю. З умовами гарантійного обслуговування ознайомлений і згоден.

П. І. Б. та підпис власника _____

Шановні клієнти, наша мережа авторизованих сервісних центрів постійно розширюється. Актуальну інформацію про обслуговування в місті, що цікавить вас, ви можете дізнатися на сайті

www.2helpU.com

Редакція ВК/12-12-2018

Інформація про інструмент

Найменування інструменту	
Модель	
Найменування продавця	
Дата продажу	

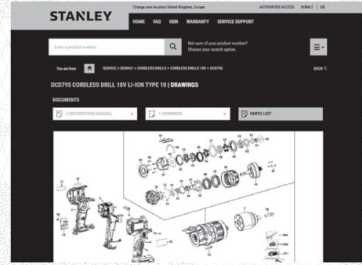
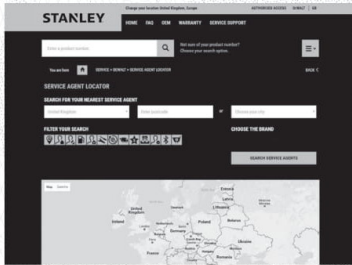
М.П.
Продавця

Серійний номер/Дата виробництва

Інструмент	
Зарядний пристрій	
Акумулятор 1	
Акумулятор 2	

На сайті www.2helpU.com доступні наступні функції:

- Список авторизованих сервісних центрів
- Зручний пошук найближчого сервісного центру
- Керівництво з експлуатації
- Технічні характеристики
- Список деталей і запасних частин
- Схема складання інструменту



Також дану інформацію ви можете отримати, зателефонувавши за номером:
0 (800) 211 521 в Україні

ВІДМІТКА ПРО ПРОВЕДЕННЯ СЕРВІСНОГО ОБСЛУГОВУВАННЯ

№1	№2	№3	№4
№ замовлення	№ замовлення	№ замовлення	№ замовлення
Дата прийому	Дата прийому	Дата прийому	Дата прийому
Дата ремонту	Дата ремонту	Дата ремонту	Дата ремонту
Печатка і підпис сервісного центру	Печатка і підпис сервісного центру	Печатка і підпис сервісного центру	Печатка і підпис сервісного центру

