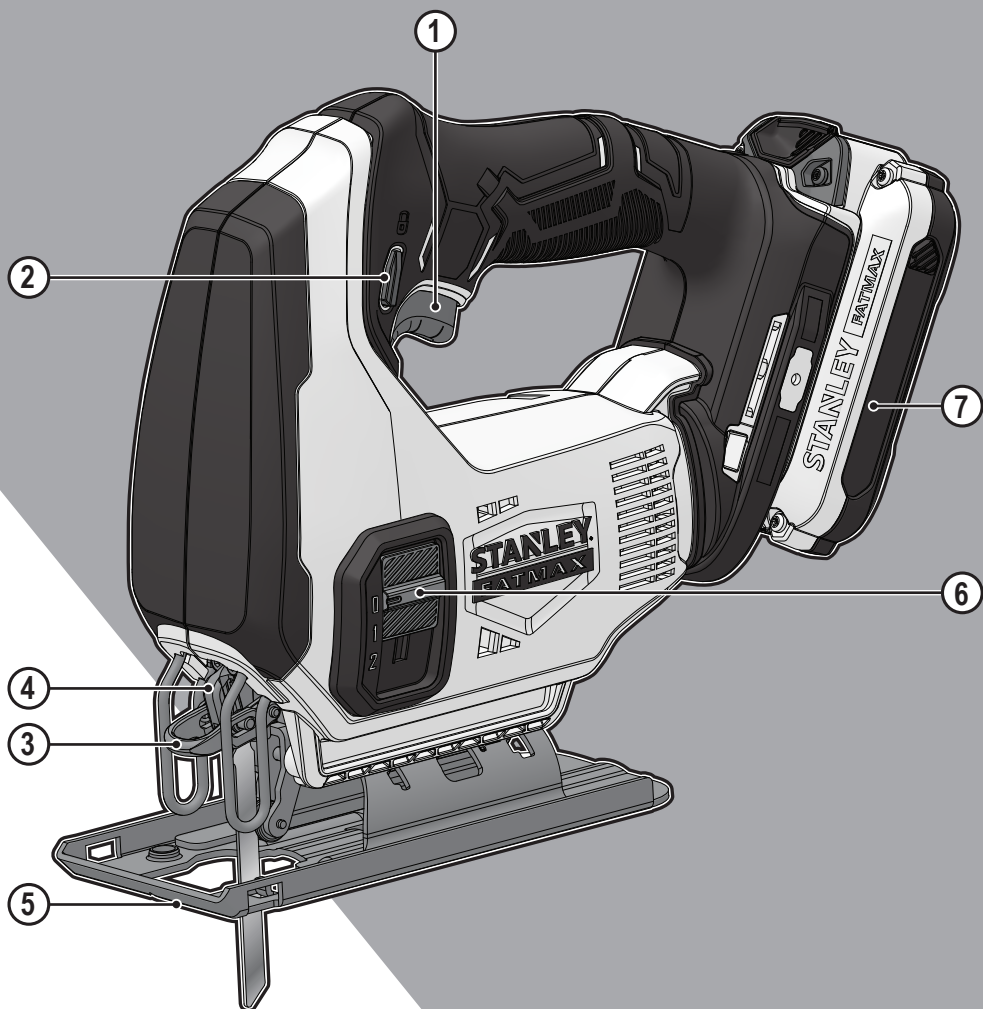
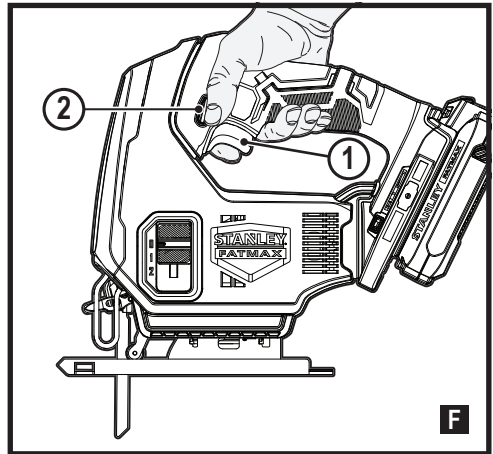
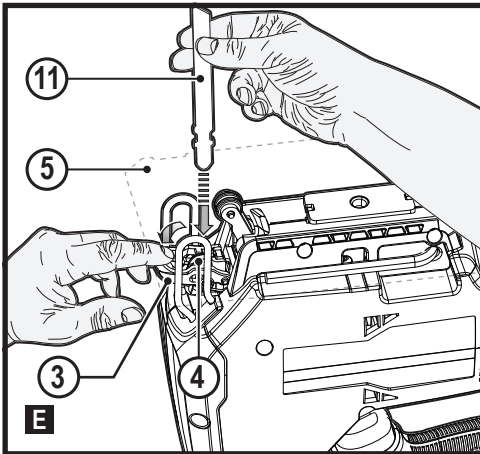
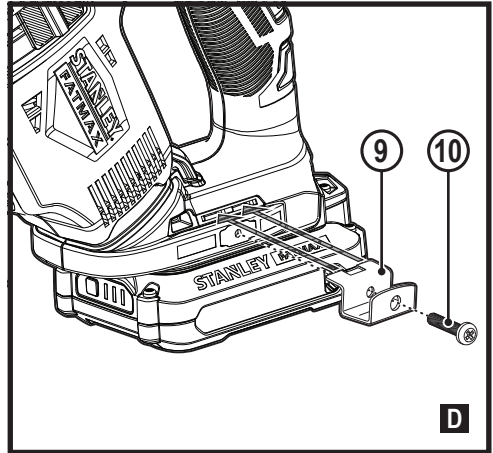
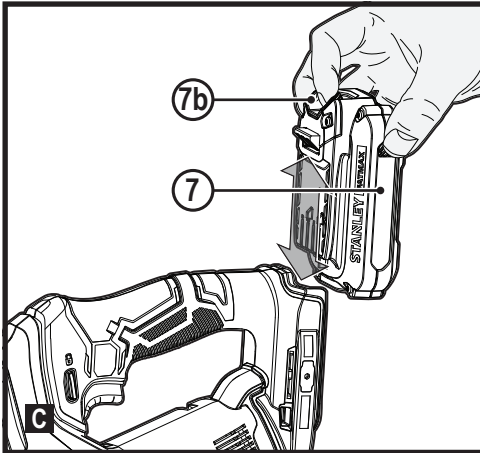
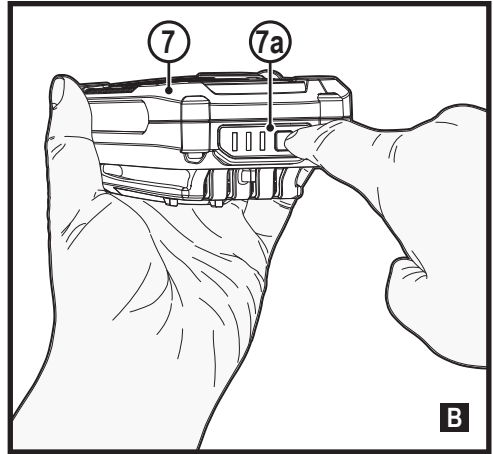
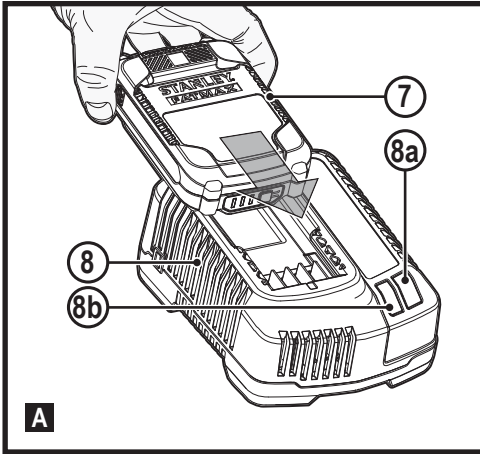


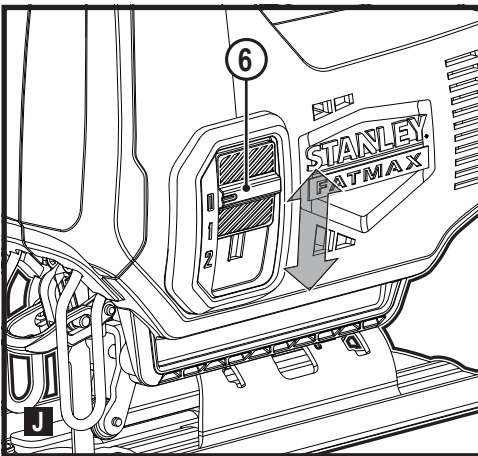
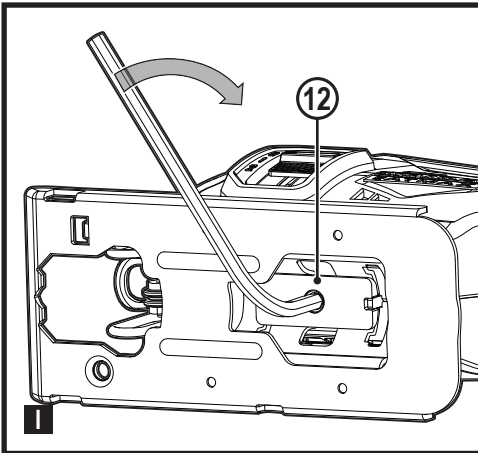
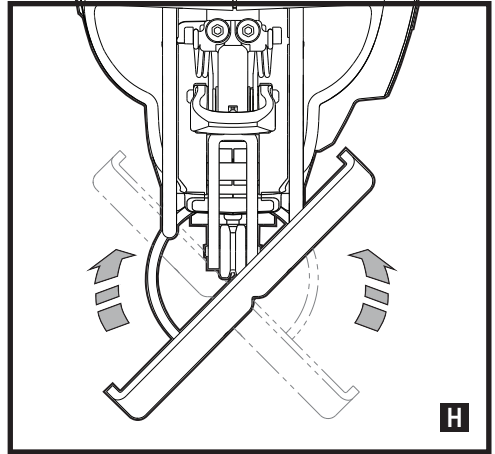
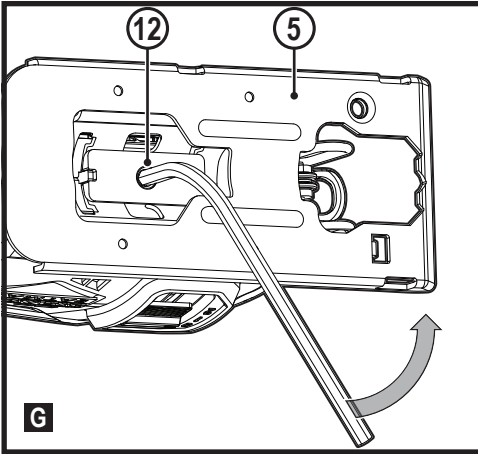
STANLEY[®] FATMAX[®] V20 LITHIUM ION



www.stanley.eu

SFMCS600





Intended use

Your STANLEY FATMAX jigsaw has been designed for sawing wood, plastics and sheet metal. This tool is intended for professional and private, non professional users.

Safety instructions

General power tool safety warnings



Warning! Read all safety warnings, instructions, illustrations and specifications provided with this power tool. Failure to follow the warnings and instructions listed below may result in electric shock, fire and/or serious injury..

Save all warnings and instructions for future reference.

The term "power tool" in all of the warnings listed below refers to your mains operated (corded) power tool or battery operated (cordless) power tool.

1. Work area safety

- a. **Keep work area clean and well lit.** Cluttered or dark areas invite accidents.
- b. **Do not operate power tools in explosive atmospheres, such as in the presence of flammable liquids, gases or dust.** Power tools create sparks which may ignite the dust or fumes.
- c. **Keep children and bystanders away while operating a power tool.** Distractions can cause you to lose control.

2. Electrical safety

- a. **Power tool plugs must match the outlet. Never modify the plug in any way.**

- Do not use any adapter plugs with earthed (grounded) power tools.** Unmodified plugs and matching outlets will reduce risk of electric shock.
- b. **Avoid body contact with earthed or grounded surfaces such as pipes, radiators, ranges and refrigerators.** There is an increased risk of electric shock if your body is earthed or grounded.
 - c. **Do not expose power tools to rain or wet conditions.** Water entering a power tool will increase the risk of electric shock.
 - d. **Do not abuse the cord. Never use the cord for carrying, pulling or unplugging the power tool. Keep cord away from heat, oil, sharp edges or moving parts.** Damaged or entangled cords increase the risk of electric shock.
 - e. **When operating a power tool outdoors, use an extension cord suitable for outdoor use.** Use of a cord suitable for outdoor use reduces the risk of electric shock.
 - f. **If operating a power tool in a damp location is unavoidable, use a residual current device (RCD) protected supply.** Use of an RCD reduces the risk of electric shock.
3. **Personal safety**
 - a. **Stay alert, watch what you are doing and use common sense when operating a power tool.**
Do not use a power tool while you are tired or under the influence of drugs, alcohol or medication. A moment of inattention while operating power tools may result in serious personal injury.
 - b. **Use personal protective equipment. Always wear eye protection.** Protective equipment such as dust mask, non-skid safety shoes, hard hat, or hearing protection used for appropriate conditions will reduce personal injuries.
 - c. **Prevent unintentional starting. Ensure the switch is in the off-position before connecting to power source and/or battery pack, picking up or carrying the tool.** Carrying power tools with your finger on the switch or energising power tools that have the switch on invites accidents.
 - d. **Remove any adjusting key or wrench before turning the power tool on.** A wrench or a key left attached to a rotating part of the power tool may result in personal injury.
 - e. **Do not overreach. Keep proper footing and balance at all times.** This enables better control of the power tool in unexpected situations.
 - f. **Dress properly. Do not wear loose clothing or jewellery. Keep your hair and clothing away from moving parts.** Loose clothes, jewellery or long hair can be caught in moving parts.
 - g. **If devices are provided for the connection of dust extraction and collection facilities, ensure these are connected and properly used.** Use of dust collection can reduce dust-related hazards.
 - h. **Do not let familiarity gained from frequent use of tools allow you to become complacent and ignore tool safety principles.** A careless action can cause severe injury within a fraction of a second.
4. **Power tool use and care**
 - a. **Do not force the power tool. Use the correct power tool for your application.**
The correct power tool will do the job better and safer at the rate for which it was designed.
 - b. **Do not use the power tool if the switch does not turn it on and off.** Any power tool that cannot be controlled with the switch is dangerous and must be repaired.
 - c. **Disconnect the plug from the power source and/or remove the battery pack, if detachable, from the power tool before making any adjustments, changing accessories, or storing power tools. Such preventive safety measures reduce the risk of starting the power tool accidentally.**
 - d. **Store idle power tools out of the reach of children and do not allow persons unfamiliar with the power tool or these instructions to operate the power tool.** Power tools are dangerous in the hands of untrained users.
 - e. **Maintain power tools and accessories. Check for misalignment or binding of moving parts, breakage of parts and any other condition that may affect the power tools operation. If damaged, have the power tool repaired before use.** Many accidents are caused by poorly maintained power tools.
 - f. **Keep cutting tools sharp and clean.** Properly maintained cutting tools with sharp cutting edges are less likely to bind and are easier to control.
 - g. **Use the power tool, accessories and tool bits etc. in accordance with these instructions, taking into account the working conditions and the work to be performed.**
Use of the power tool for operations different from those intended could result in a hazardous situation.
 - h. **Keep handles and grasping surfaces dry, clean and free from oil and grease.** Slippery handles and grasping surfaces do not allow for safe handling and control of the tool in unexpected situations.
 5. **Battery tool use and care**
 - a. **Recharge only with the charger specified by the manufacturer.** A charger that is suitable for one type of battery pack may create a risk of fire when used with another battery pack.

- b. **Use power tools only with specifically designated battery packs.** Use of any other battery packs may create a risk of injury and fire.
 - c. **When battery pack is not in use, keep it away from other metal objects, like paper clips, coins, keys, nails, screws, or other small metal objects, that can make a connection from one terminal to another.** Shorting the battery terminals together may cause burns or a fire.
 - d. **Under abusive conditions, liquid may be ejected from the battery; avoid contact. If contact accidentally occurs, flush with water. If liquid contacts eyes, additionally seek medical help.** Liquid ejected from the battery may cause irritation or burns.
 - e. Do not use a battery pack or tool that is damaged or modified. Damaged or modified batteries may exhibit unpredictable behaviour resulting in fire, explosion or risk of injury.
 - f. Do not expose a battery pack or tool to fire or excessive temperature. Exposure to fire or temperature above 130 °C may cause explosion.
 - g. Follow all charging instructions and do not charge the battery pack or tool outside the temperature range specified in the instructions. Charging improperly or at temperatures outside the specified range may damage the battery and increase the risk of fire.
- 6. Service**
- a. **Have your power tool serviced by a qualified repair person using only identical replacement parts. This will ensure that the safety of the power tool is maintained.**
 - b. **Never service damaged BATTERY packs. Service of BATTERY packs should only be performed by the manufacturer or authorized service providers.**

Additional safety warnings for jigsaws and reciprocating saws

- **Hold power tool by insulated gripping surfaces, when performing an operation where the cutting accessory may contact hidden wiring.** Cutting accessory contacting a "live" wire may make exposed metal parts of the power tool "live" and could give the operator an electric shock.
- **Use clamps or another practical way to secure and support the workpiece to a stable platform.** Holding the work by hand or against your body leaves it unstable and may lead to loss of control.

- **Keep hands away from cutting area.** Never reach underneath the work piece any reason. Do not insert fingers or thumb into the vicinity of the reciprocating blade and blade clamp. Do not stabilize the saw by gripping the shoe.
- **Keep blades sharp.** Dull or damaged blades may cause the saw to swerve or stall under pressure. Always use the appropriate type of saw blade for the workpiece material and type of cut.
- **When cutting pipe or conduit, make sure that they are free from water, electrical wiring, etc.**
- **Do not touch the workpiece or the blade immediately after operating the tool.** They can become very hot.
- **Be aware of hidden hazards, before cutting into walls, floors or ceilings, check for the location of wiring and pipes.**
- **The blade will continue to move after releasing the switch.** Always switch the tool off and wait for the saw blade to come to a complete standstill before putting the tool down.



Warning! Contact with, or inhalation of dusts arising from cutting applications may endanger the health of the operator and possible bystanders. Wear a dust mask specifically designed for protection against dust and fumes and ensure that persons within or entering the work area are also protected.

- The intended use is described in this instruction manual. The use of any accessory or attachment or performance of any operation with this tool other than those recommended in this instruction manual may present a risk of personal injury and/or damage to property.

Safety of others

- This tool is not intended for use by persons (including children) with reduced physical, sensory or mental capabilities, or lack of experience and knowledge, unless they have been given supervision or instruction concerning use of the appliance by a person responsible for their safety.
- Children should be supervised to ensure that they do not play with the appliance.

Residual risks.

Additional residual risks may arise when using the tool which may not be included in the enclosed safety warnings. These risks can arise from misuse, prolonged use etc. Even with the application of the relevant safety regulations and the implementation of safety devices, certain residual risks can not be avoided. These include:

- Injuries caused by touching any rotating/moving parts.
- Injuries caused when changing any parts, blades or accessories.

- Injuries caused by prolonged use of a tool. When using any tool for prolonged periods ensure you take regular breaks.
- Impairment of hearing.
- Health hazards caused by breathing dust developed when using your tool (example:- working with wood, especially oak, beech and MDF.)

Vibration

The declared vibration emission values stated in the technical data and the declaration of conformity have been measured in accordance with a standard test method provided by EN 62841 and may be used for comparing one tool with another. The declared vibration emission value may also be used in a preliminary assessment of exposure.



Warning! The vibration emission value during actual use of the power tool can differ from the declared value de2019-10-22 on the ways in which the tool is used. The vibration level may increase above the level stated.

When assessing vibration exposure to determine safety measures required by 2002/44/EC to protect persons regularly using power tools in employment, an estimation of vibration exposure should consider, the actual conditions of use and the way the tool is used, including taking account of all parts of the operating cycle such as the times when the tool is switched off and when it is running idle in addition to the trigger time.

Labels on tool

The following symbols are shown on the tool:



Warning! To reduce the risk of injury, the user must read the instruction manual.

Additional safety instructions for batteries and chargers

Batteries

- Never attempt to open for any reason.
- Do not expose the battery to water.
- Do not store in locations where the temperature may exceed 40 °C.
- Charge only at ambient temperatures between 10 °C and 40 °C.
- Charge only using the charger provided with the tool.
- When disposing of batteries, follow the instructions given in the section "Protecting the environment".



Do not attempt to charge damaged batteries.

Chargers

- Use your Stanley Fatmax charger only to charge the battery in the tool with which it was supplied. Other batteries could burst, causing personal injury and damage.
- Never attempt to charge non-rechargeable batteries.
- Have defective cords replaced immediately.
- Do not expose the charger to water.
- Do not open the charger.
- Do not probe the charger.



The charger is intended for indoor use only.



Read the instruction manual before use.

Electrical safety



Your charger is double insulated; therefore no earth wire is required. Always check that the mains voltage corresponds to the voltage on the rating plate. Never attempt to replace the charger unit with a regular mains plug.

- If the supply cord is damaged, it must be replaced by the manufacturer or an authorised STANLEY FATMAX Service Centre in order to avoid a hazard.

Features

This tool includes some or all of the following features.

1. Variable speed trigger switch
2. Lock-off button
3. Saw blade locking lever
4. Blade clamp
5. Shoe plate
6. Cutting action button
7. Battery

Use



Warning! Let the tool work at its own pace. Do not overload.

Charging the battery (Fig. A)

The battery needs to be charged before first use and whenever it fails to produce sufficient power on jobs that were easily done before.

The battery may become warm while charging; this is normal and does not indicate a problem.



Warning! Do not charge the battery at ambient temperatures below 10 °C or above 40 °C.

Recommended charging temperature: approx. 24 °C.

Note: The charger will not charge a battery if the cell temperature is below approximately 10 °C or above 40 °C. The battery should be left in the charger and the charger will begin to charge automatically when the cell temperature warms up or cools down.

Note: To ensure maximum performance and life of lithium-ion battery packs, charge the battery pack fully before first use.

- Plug the charger (8) into an appropriate outlet before inserting battery pack (7).
- The green charging light (8a) will blink continuously indicating that the charging process has started.
- The completion of charge will be indicated by the green charging light (8a) remaining ON continuously. The battery pack (7) is fully charged and may be removed and used at this time or left in the charger (8).
- Charge discharged batteries within 1 week. Battery life will be greatly diminished if stored in a discharged state.

Charger LED Modes

	Charging: Green LED Intermittent	
	Fully Charged: Green LED Solid	
	Hot/Cold Pack Delay: Green LED Intermittent Red LED Solid	

Note: The compatible charger(s) will not charge a faulty battery pack. The charger will indicate a faulty battery pack by refusing to light.

Note: This could also mean a problem with a charger. If the charger indicates a problem, take the charger and battery pack to be tested at an authorized service centre.

Leaving the battery in the charger

The charger and battery pack can be left connected with the LED glowing indefinitely. The charger will keep the battery pack fresh and fully charged.

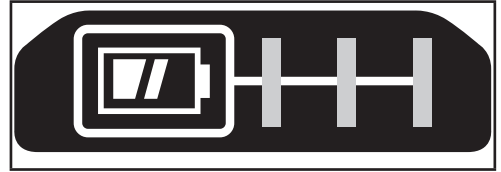
Hot/Cold Pack Delay

When the charger detects a battery that is too hot or too cold, it automatically starts a Hot/Cold Pack Delay, the green LED (8a) will flash intermittently, while the red LED (8b) will remain

on continuously, until the battery has reached an appropriate temperature. The charger then automatically switches to the pack charging mode. This feature ensures maximum battery life.

Battery state of charge indicator (Fig. B)

The battery includes a state of charge indicator to quickly determine the extent of battery life as shown in figure B. By pressing the state of charge button (7a) you can easily view the charge remaining in the battery as illustrated in figure B.



Installing and Removing the Battery Pack from the tool



Warning! Make certain the lock-off button is engaged to prevent switch actuation before removing or installing battery.

To install battery pack (Fig. C)

- Insert battery pack firmly into tool until an audible click is heard as shown in figure C. Ensure battery pack is fully seated and fully latched into position.

To remove battery pack (Fig. C)

- Depress the battery release button (7b) as shown in figure C and pull battery pack out of tool.

Storage hook (Optional extra) (Fig. D)



Warning! To reduce the risk of serious personal injury, place the forward/reverse button in the lock-off position or turn tool off and disconnect battery pack before making any adjustments or removing/installing attachments or accessories. An accidental start-up can cause injury.



Warning! To reduce the risk of serious personal injury, ensure the screw (10) holding the storage hook is secure.

Note: When attaching or replacing the storage hook (9), use only the screw (10) that is provided. Be sure to securely tighten the screw.

If the hook is not desired at all, it can be removed from the tool.

To move the storage hook, remove the screw (10) that holds the storage hook (9) in place.

Note: Various trackwall hooks and storage configurations are available.

Please visit our website www.stanleytools.eu/3 for further information.

Assembly



Warning! Before assembly, remove the battery from the tool and make sure that the saw blade has stopped. Used saw blades may be hot.

Fitting and removing the saw blade (Fig. E)

- Hold the saw blade (11) with the teeth facing forward.
- Push the saw blade locking lever (3) downwards.
- Insert the shank of the blade fully into the blade clamp (4) as far as it will go.
- Release the lever.
- To remove saw blade (11), push the saw blade locking lever (3) downwards and pull the blade out.



Warning! The blade may become hot after use. Always wear gloves when removing a blade.

Switching on and off (Fig. F)

- To switch on, slide the lock off switch (2) to the left then pull and hold the variable speed trigger switch (1).
- To switch off, release the trigger switch (1).



Warning! Do not switch the tool on or off while under load.



Warning! Always slide the lock off switch (2) to the right, the locked position when the tool is not in use.

Variable speed control

The variable speed on/off switch offers a choice of speeds for greatly improved cutting rates in various materials.

- The speed is determined by the amount the trigger switch (1) is pulled.

Bevel cutting (Fig. G, H & I)

The shoe plate can be set to a left or right bevel angle of 45°.

To set the bevel angle:

- Loosen the shoe retaining bolt (12) with the hex key provided to unlock the shoe plate (5).
- Slide the shoe plate (5) forward to release it from the 0° detent.
- Rotate the shoe plate to the desired bevel angle (Fig. H).
- Slide the shoe plate backwards to engage the left or right detent.
- Tighten the shoe retaining bolt (12) with the hex key provided to lock the shoe plate (5) in the required position.

Note: The shoe can be beveled to the left or to the right and has detents at 45°.

Cutting action (Fig. J)

This jig saw is equipped with three cutting actions, two orbital and one straight. Orbital action has a more aggressive blade motion and is designed for cutting in soft materials like wood or plastic. Orbital action provides a faster cut, but with a less smooth cut across the material. In orbital action, the blade moves forward during the cutting stroke in addition to the up and down motion.



Warning! Metal or hardwoods should never be cut in orbital action.

- Slide the cutting action button (6) between the three cutting positions: 0, 1 and 2.
- Position 0 is for straight cutting.
- Positions 1 and 2 are for orbital cutting.
- The aggressiveness of the cut increases as the lever is adjusted from one to two, with two being the most aggressive cut.

Sawing

- Always hold the tool with both hands.
- Let the blade run freely for a few seconds before starting the cut.
- Apply only a gentle pressure to the tool while performing the cut.
- If possible, work with the shoe plate (5) pressed against the workpiece. This will improve tool control and reduce tool vibration, as well as prevent the blade from being damaged.

Hints for optimum use

General

- Use a high speed for wood, a medium speed for aluminium and PVC and a low speed for metals other than aluminium.

Sawing laminates

As the saw blade cuts on the upward stroke, splintering may occur on the surface closest to the shoe plate.

- Use a fine-tooth saw blade.
- Saw from the back surface of the workpiece.
- To minimise splintering, clamp a piece of scrap wood or hardboard to both sides of the workpiece and saw through this sandwich.

Sawing metal

Be aware that sawing metal takes much more time than sawing wood.

- Use a saw blade suitable for sawing metal. Use a fine-tooth saw blade for ferrous metals and a coarser saw blade for non-ferrous metals.

- When cutting thin sheet metal, clamp a piece of scrap wood to the back surface of the workpiece and cut through this sandwich.
- Spread a film of oil along the intended line of cut.

Accessories

The performance of your tool depends on the accessory used. STANLEY FATMAX accessories are engineered to high quality standards and designed to enhance the performance of your tool. By using these accessories you will get the very best from your tool.

This tool is suitable both for U-shank and T-shank saw blades.

Maintenance

Your tool has been designed to operate over a long period of time with a minimum of maintenance. Continuous satisfactory operation depends upon proper tool care and regular cleaning.



Warning! Before performing any maintenance, switch off and unplug the tool.

- Regularly clean the ventilation slots in your tool and charger using a soft brush or dry cloth.
- Regularly clean the motor housing using a damp cloth. Do not use any abrasive or solvent-based cleaner.
- Occasionally apply a drop of oil to the axle of the blade support roller.

Mains plug replacement (U.K. & Ireland only)

If a new mains plug needs to be fitted:

- Safely dispose of the old plug.
- Connect the brown lead to the live terminal in the new plug.
- Connect the blue lead to the neutral terminal.



Warning! No connection is to be made to the earth terminal. Follow the fitting instructions supplied with good quality plugs. Recommended fuse: 5 A.

Protecting the environment



Separate collection. Products and batteries marked with this symbol must not be disposed of with normal household waste.

Products and batteries contain materials that can be recovered or recycled reducing the demand for raw materials. Please recycle electrical products and batteries according to local provisions. Further information is available at www.2helpU.com

Technical data

SFMC600 (H1)		
Voltage	V_{dc}	18
No-load speed	min^{-1}	0 - 2500
Stroke length	mm	19
Max depth of cut		
Wood	mm	55
Steel	mm	8
Aluminium	mm	20
Weight	kg	2.62

Charger		SFMCB11	SC200 / SFMCB12	SFMCB14
Input Voltage	V_{AC}	230	230	230
Output Voltage	V_{DC}	18	18	18
Current	A	1.25	2	4

Battery		SFMCB201	SB202 / SFMCB202	SB204 / SFMCB204	SB206 / SFMCB206
Voltage	V_{DC}	18	18	18	18
Capacity	Ah	1.5	2.0	4.0	6.0
Type		Li-Ion	Li-Ion	Li-Ion	Li-Ion

Level of sound pressure according to EN62841:

Sound pressure (L_{pA}) 82 dB(A), uncertainty (K) 5 dB(A)

Sound power (L_{WA}) 93 dB(A), uncertainty (K) 5 dB(A)

Vibration total values (triax vector sum) according to EN62841:

Cutting boards ($a_{h, B}$) 4.9 m/s^2 , uncertainty (K) 1.5 m/s^2

Cutting sheet metal ($a_{h, W}$) 8.8 m/s^2 , uncertainty (K) 1.5 m/s^2

EC declaration of conformity

MACHINERY DIRECTIVE



Cordless Jigsaw - SFMCS600

Stanley Europe declares that these products described under "technical data" are in compliance with: 2006/42/EC, EN62841-1:2015, EN62841-2-11:2016

These products also comply with Directive 2014/30/EU and 2011/65/EU. For more information, please contact Stanley Europe at the following address or refer to the back of the manual.

The undersigned is responsible for compilation of the technical file and makes this declaration on behalf of Stanley Europe.

A handwritten signature in black ink, appearing to read 'A.P. Smith', written in a cursive style.

A.P. Smith

Technical Director of Engineering
STANLEY FATMAX Europe, Egide Walschaertsstraat14-18,
2800 Mechelen, Belgium
2019-10-22

Guarantee

STANLEY FATMAX is confident of the quality of its products and offers consumers a 12 month guarantee from the date of purchase. This guarantee is in addition to and in no way prejudices your statutory rights. The guarantee is valid within the territories of the Member States of the European Union and the European Free Trade Area.

To claim on the guarantee, the claim must be in accordance with STANLEY FATMAX Terms and Conditions and you will need to submit proof of purchase to the seller or an authorised repair agent. Terms and conditions of the STANLEY FATMAX 1 year guarantee and the location of your nearest authorised repair agent can be obtained on the Internet at www.2helpU.com, or by contacting your local STANLEY FATMAX office at the address indicated in this manual.

Please visit our website www.stanleytools.eu/3 to register your new STANLEY FATMAX product and receive updates on new products and special offers.

Назначение

Лобзик STANLEY FATMAX предназначен для пиления дерева, пластика и листового металла. Данный инструмент предназначен для профессионального использования, а также для бытового использования частными пользователями.

Правила техники безопасности

Общие правила безопасности при работе с электроинструментом



Внимание! Прочтите все правила техники безопасности, инструкции, иллюстрации и спецификации по данному электроинструменту. Несоблюдение представленных ниже предупреждений и инструкций может привести к поражению электрическим током, возгоранию и/или тяжелым травмам.

Сохраните все инструкции для последующего обращения к ним. Термин «электроинструмент» во всех приведенных ниже предупреждениях относится к питаемому от электросети (проводному) или от аккумуляторных батарей (беспроводному) электроинструменту.

1. **Безопасность на рабочем месте**
 - a. Следите за чистой и хорошей освещенностью на рабочем месте. Беспорядок или плохое освещение на рабочем месте могут стать причиной несчастного случая.
 - b. Запрещается работать с электроинструментами во взрывоопасных местах, например, вблизи легковоспламеняющихся жидкостей, газов и пыли. Искры, которые появляются при работе электроинструментов могут привести к воспламенению пыли или паров.
 - c. Следите за тем, чтобы во время работы с электроинструментом в зоне работы не было посторонних и детей. Отвлекаясь от работы вы можете потерять контроль над инструментом.
2. **Электробезопасность**
 - a. Штепсельная вилка электроинструмента должна соответствовать розетке. Никогда не меняйте вилку инструмента. Запрещается использовать переходники к вилкам для электроинструментов с заземлением. Использование оригинальных штепсельных вилок, соответствующих типу сетевой розетки снижает риск поражения электрическим током.
 - b. Избегайте контакта с заземленными поверхностями, такими как трубы, радиаторы и холодильники. Если вы будете заземлены, увеличивается риск поражения электрическим током.
 - c. Запрещается оставлять электроинструмент под дождем и в местах повышенной влажности. При попадании воды в электроинструмент, риск поражения электрическим током возрастает.
 - d. Берегите кабель от повреждений. Никогда не используйте кабель для переноски электроинструмента, не тяните за него, пытайтесь отключить инструмент от сети. Держите кабель подальше от источников тепла, масла, острых углов или движущихся предметов. Поврежденный или запутанный кабель питания повышает риск поражения электрическим током.
 - e. При работе с электроинструментом вне помещения необходимо пользоваться удлинителем, рассчитанным на эксплуатацию в соответствующих условиях. Использование кабеля питания, предназначенного для использования вне помещения, снижает риск поражения электрическим током.
 - f. При необходимости эксплуатации электроинструмента в местах с повышенной влажностью используйте устройство защитного отключения (УЗО). Использование УЗО снижает риск поражения электрическим током.
3. **Обеспечение индивидуальной безопасности**
 - a. При работе с электроинструментом сохраняйте бдительность, следите за своими действиями и руководствуйтесь здравым смыслом. Не работайте с электроинструментом, если вы устали, находитесь в состоянии наркотического, алкогольного опьянения или под воздействием лекарственных препаратов. Невнимательность при работе с электроинструментом может привести к серьезным травмам.
 - b. Используйте средства индивидуальной защиты. Всегда надевайте защитные очки. Средства защиты, такие как пылезащитная маска, обувь с нескользящей подошвой, каска и защитные наушники, используемые при работе, уменьшают риск получения травм.
 - c. Примите меры для предотвращения случайного включения. Перед тем как подключить электроинструмент к сети и/или аккумуляторной батарее, возьмите инструмент или перенесите его в другое место, убедитесь в том, что выключатель находится в положении «Выкл.». Если при

- переноске электроинструмента он подключен к сети, и при этом ваш палец находится на выключателе, это может стать причиной несчастных случаев.
- d. **Уберите все регулировочные или гаечные ключи перед включением электроинструмента.** Ключ, оставленный на вращающейся части электроинструмента, может привести к травме.
- e. **Не пытайтесь дотянуться до слишком удаленных поверхностей. Всегда твердо стойте на ногах, сохраняя равновесие.** Это позволит лучше контролировать электроинструмент в непредвиденных ситуациях.
- f. **Одевайтесь соответствующим образом. Не носите свободную одежду и ювелирные украшения.** Следите за тем, чтобы волосы и одежда не попадали под движущиеся детали. Возможно наматывание свободной одежды, ювелирных изделий и длинных волос на движущиеся детали.
- g. **При наличии устройств для подключения оборудования для удаления и сбора пыли необходимо обеспечить правильность их подключения и эксплуатации.** Использование устройства для пылеудаления сокращает риски, связанные с пылью.
- h. **Не позволяйте хорошему знанию от частого использования инструментов стать причиной самонадеянности и игнорирования правил техники безопасности.** Небрежное действие может повлечь серьезные травмы за долю секунды.
4. **Эксплуатация электроинструмента и уход за ним**
- a. **Избегайте чрезмерной нагрузки электроинструмента. Используйте электроинструмент в соответствии с назначением.** Правильно подобранный электроинструмент выполнит работу более эффективно и безопасно при стандартной нагрузке.
- b. **Не пользуйтесь инструментом, если не работает выключатель.** Любой инструмент, управляемый выключением и включением которого невозможно, опасен, и его необходимо отремонтировать.
- c. **Перед выполнением любых настроек, сменой дополнительных принадлежностей или прежде чем убрать инструмент на хранение, отключите его от сети и/или снимите с него аккумуляторную батарею, если ее можно снять.** Такие превентивные меры безопасности сокращают риск случайного включения электроинструмента.
- d. **Храните электроинструмент в недоступном для детей месте и не позволяйте работать с инструментом людям, не имеющим соответствующих навыков работы с такого рода инструментами.** Электроинструмент представляет опасность в руках неопытных пользователей.
- e. **Поддерживайте электроинструмент и принадлежности в исправном состоянии. Проверьте движущиеся детали на точность совмещения или заклинивание, наличие поломок или каких-либо других условий, которые могут повлиять на эксплуатацию электроинструмента. В случае обнаружения повреждений, прежде чем приступить к эксплуатации электроинструмента, его следует отремонтировать.** Большинство несчастных случаев происходит из-за электроинструментов, которые не обслуживаются должным образом.
- f. **Следите за остротой заточки и чистой режущей принадлежностей.** Вероятность заклинивания инструмента, за которым следят должным образом и который хорошо заточен, значительно меньше, а работать с ним легче.
- g. **Используйте данный электроинструмент, а также дополнительные приспособления и насадки в соответствии с данными инструкциями и с учетом условий и специфики работы.** Использование электроинструмента для выполнения операций, для которых он не предназначен, может привести к созданию опасных ситуаций.
- h. **Все рукоятки и поверхности захватывания должны быть сухими и без следов смазки.** Скользкие рукоятки и поверхности захватывания не позволяют обеспечить безопасность работы и управления инструментом в непредвиденных ситуациях.
5. **Использование инструментов с аккумуляторными и уход за ними**
- a. **Используйте для зарядки аккумуляторной батареи только указанное производителем зарядное устройство.** Использование зарядного устройства определенного типа для зарядки других батарей может привести к возгоранию.
- b. **Используйте для электроинструмента только батареи указанного типа.** Использование других аккумуляторных батарей может стать причиной травмы и пожара.
- c. **Оберегайте батарею от попадания в нее скрепок, монет, ключей, гвоздей, болтов или других мелких металлических предметов, которые могут вызывать замыкание контактов.** Короткое замыкание контактов аккумуляторной батареи может привести к пожару или получению ожогов.
- d. **При повреждении аккумуляторной батареи, из нее может вытечь электролит. При случайном контакте с электролитом смойте его водой. При попадании**

электролита в глаза обратитесь за медицинской помощью. Жидкость, находящаяся внутри аккумуляторной батареи, может вызвать раздражение или ожоги.

- e. Не используйте поврежденные или измененные аккумуляторные батареи или инструменты. Поврежденные или измененные аккумуляторные батареи могут работать непредсказуемо, что может привести к возгоранию, взрыву или риску получения травм.
 - f. Не подвергайте аккумуляторные батареи или инструмент воздействию огня или повышенной температуры. Открытый огонь или воздействие высокой температуры выше 130 °C может привести к взрыву.
 - g. Следуйте всем инструкциям по зарядке и не заряжайте аккумуляторную батарею или инструмент вне температурного диапазона, указанного в инструкции. Неправильная зарядка или зарядка вне указанного температурного диапазона может привести к повреждению батареи и увеличить риск возгорания.
- 6. Сервисное обслуживание**
- a. **Обслуживание электроинструмента должно выполняться только квалифицированным техническим персоналом. Это позволит обеспечить безопасность обслуживаемого инструмента.**
 - b. **Не выполняйте обслуживание поврежденных АККУМУЛЯТОРНЫХ БАТАРЕЙ. Обслуживание АККУМУЛЯТОРНЫХ БАТАРЕЙ должно выполняться только производителем или авторизованными поставщиками услуг.**

Дополнительные правила техники безопасности при использовании лобзиков и сабельных пил

- **Удерживайте инструмент за изолированные поверхности захватывания при выполнении работ, во время которых имеется вероятность контакта инструмента со скрытой электропроводкой.** Если вы держитесь за металлические детали инструмента, то в случае перерезания находящегося под напряжением провода, возможно поражение оператора электрическим током.
- **Используйте зажимы или другие подходящие средства для фиксации заготовки на стабильной опоре.** Держать заготовку на весу или в руках перед собой неудобно и это может привести к потере контроля над инструментом.

- **Держите руки подальше от зоны разреза.** Никогда не наклоняйтесь над заготовкой. Не держите пальцы вблизи пильного полотна и его зажима. Не пытайтесь стабилизировать положение сабельной пилы, удерживая ее за подошву.
- **Следите за остротой заточки пильных полотен.** Тупые или поврежденные полотна могут привести к тому, что пила отклонится или заклинит под давлением. Всегда используйте полотна соответствующего типа для разных рабочих деталей и типа распила.
- **При распиле трубы или трубопровода убедитесь в том, что в них нет воды, не проходит электропроводка и т. п.**
- **Не трогайте заготовку и полотно сразу после того как закончите работу.** Они могут сильно нагреваться.
- **Перед тем, как делать отверстия в стенах, полах или потолках, проверьте места прохождения проводки и трубопроводов.**
- **Полотно продолжает двигаться после того, как будет отпущен спусковой выключатель.** Всегда выключайте инструмент и подождите, пока пильное полотно полностью остановится перед тем, как положить инструмент.



Внимание! Контакт или вдыхание пыли, которая может образоваться при распиле, представляет опасность здоровью оператора и тех, кто находится поблизости. Надевайте пылезащитную маску, которая специально предназначена для защиты от пыли и испарений, и обеспечивает защиту для людей, выполняющих данные работы или находящихся в зоне проведения работ.

- Далее в руководстве приводятся виды работ, для которых предназначен данный инструмент. Использование любых принадлежностей или приспособлений, а также выполнение данным инструментом любых видов работ, не рекомендованных данным руководством по эксплуатации, может привести к несчастному случаю и/или повреждению личного имущества.

Безопасность окружающих

- Данный инструмент не предназначен для использования лицами (включая детей) с ограниченными физическими, сенсорными или ментальными возможностями, а также лицами без достаточного опыта и знаний, если только они не делают этого под руководством лица имеющего соответствующий опыт и отвечающего за их безопасность.
- Не позволяйте детям играть с данным инструментом.

Остаточные риски.

При работе с инструментом возможно возникновение дополнительных остаточных рисков, которые не вошли в описанные здесь правила техники безопасности. Это может произойти при неправильной эксплуатации или продолжительном использовании инструмента и т. п. Несмотря на соблюдение соответствующих инструкций по технике безопасности и использование предохранительных устройств, некоторые остаточные риски невозможно полностью исключить. К ним относятся:

- Травмы в результате касания вращающихся/движущихся частей.
- Травмы, которые могут произойти при замене деталей, ножа или аксессуаров.
- Травмы, связанные с продолжительным использованием инструмента. При использовании любого инструмента в течение продолжительного периода времени не забывайте делать перерывы.
- Ухудшение слуха.
- Ущерб здоровью в результате вдыхания пыли в процессе работы с инструментом (например, при обработке древесины, в особенности, дуба, бука и МДФ.)

Вибрация

Заявленные значения вибрации указанные в технических спецификациях и заявлениях о соответствии были измерены в соответствии с стандартным методом тестирования EN 62841 и могут быть использованы для сравнения инструментов. Приведенные значения уровня вибрации могут также использоваться для предварительной оценки величины вибрационного воздействия.



Внимание! Значение эмиссии вибрации в каждом конкретном случае применения электроинструмента может отличаться от заявленного в зависимости от того, каким образом используется инструмент. Уровень вибрации может быть выше заявленного.

При оценке уровня вибрации для определения меры безопасности, предусмотренного 2002/44/ЕС для защиты людей, регулярно пользующихся электроинструментом при работе, нужно принимать во внимание уровень вибрации, реальные условия использования и способ использования инструмента, а также учитывать все этапы цикла работы – когда инструмент выключается, когда он работает на холостом ходу, а также время переключения с одного режима на другой.

Условные обозначения на инструменте

На инструмент нанесены следующие обозначения:



Внимание! Во избежание риска получения травм прочтите руководство по эксплуатации.

Дополнительные правила техники безопасности при работе с аккумуляторными батареями и зарядными устройствами

Аккумуляторные батареи

- Никогда не пытайтесь разбирать аккумуляторные батареи.
- Не подвергайте аккумуляторные батареи воздействию воды.
- Не оставляйте батареи в местах, где температура превышает 40 °С.
- Заряжайте батареи только при температуре от 10 °С до 40 °С.
- Заряжайте аккумуляторные батареи только зарядным устройством, которое прилагается к инструменту.
- При утилизации батарей следуйте инструкциям, указанным в разделе «Защита окружающей среды».



Не пытайтесь заряжать поврежденные аккумуляторные батареи.

Зарядные устройства

- Используйте зарядное устройство Stanley Fatmax только для зарядки аккумуляторной батареи того инструмента, с которым оно поставлялось. Использование аккумуляторных батарей другого типа может привести к взрыву, травмам и повреждениям.
- Не пытайтесь заряжать одноразовые батареи.
- Немедленно заменяйте поврежденный кабель питания.
- Не подвергайте зарядное устройство воздействию воды.
- Не вскрывайте зарядное устройство.
- Не разбирайте зарядное устройство.



Зарядное устройство можно использовать только в помещении.



Перед началом работы прочтите руководство по эксплуатации.

Электробезопасность



Ваше зарядное устройство имеет двойную изоляцию, поэтому не требует заземления. Необходимо обязательно убедиться в том, что напряжение источника питания соответствует указанному на паспортной табличке устройства. Никогда не пытайтесь заменить зарядное устройство обычной сетевой вилкой.

- При повреждении кабеля питания, во избежание рисков, замените его у производителя или в официальном сервисном STANLEY FATMAX.

Составные части

Данный инструмент может содержать все или некоторые из перечисленных ниже составных частей.

1. Курковый пусковой выключатель с регулировкой скорости
2. Кнопка блокировки пускового выключателя
3. Зажимной рычаг пильного полотна
4. Зажим полотна
5. Подошва
6. Переключатель режимов резания
7. Аккумуляторная батарея

Эксплуатация



Внимание! Инструмент должен работать в обычном режиме.

Не подвергайте инструмент повышенным нагрузкам.

Зарядка аккумуляторной батареи (Рис. А)

Аккумуляторную батарею нужно заряжать перед первым использованием и каждый раз, когда заряда недостаточно для выполняемых работ.

Во время зарядки аккумуляторная батарея нагревается, это нормально и не означает неисправность.



Внимание! Не заряжайте батарею при температуре окружающей среды ниже 10 °С или выше 40 °С. Рекомендуемая температура при зарядке: приблизительно 24 °С.

Примечание: Зарядное устройство не будет заряжать аккумуляторную батарею, если температура элемента ниже 10 °С или выше 40 °С.

Аккумуляторную батарею нужно оставить в зарядном устройстве; зарядка начнется автоматически, когда температура элемента аккумуляторной батареи выровняется до нормальных значений.

Примечание: Чтобы обеспечить максимальную производительность и срок службы ионно-литиевых батарей, перед первым использованием полностью зарядите аккумуляторную батарею.

- Перед установкой аккумуляторной батареи (7) подключите зарядное устройство (8) к соответствующей розетке.
- Зеленый индикатор зарядки (8а) начнет мигать, означая, что процесс зарядки начался.
- По окончании зарядки, зеленый индикатор зарядки (8а) будет гореть непрерывно, не мигая. Теперь аккумуляторная батарея (7) полностью заряжена, и ее можно использовать или оставить в зарядном устройстве (8).
- Разрядившиеся батареи заряжайте не позже, чем через 1 неделю. Срок службы аккумуляторной батареи значительно уменьшается, если ее хранить в разряженном состоянии.

Режимы горения светодиодного индикатора зарядного устройства

	Зарядка: Мигающий зеленый светодиод	
	Полностью заряжен: Непрерывно горящий зеленый светодиод	
	Температурная задержка: Мигающий зеленый светодиод Непрерывно горящий красный светодиод	

Примечание: Зарядное(-ые) устройство(-а) не сможет(-гут) зарядить неисправную аккумуляторную батарею.

При неисправной аккумуляторной батарее индикатор на зарядном устройстве не загорится.

Примечание: Также это может указывать на проблему с зарядным устройством. Если зарядное устройство указывает на наличие проблемы, проверьте аккумуляторную батарею и зарядное устройство в авторизованном сервисном центре.

Хранение аккумуляторной батареи в зарядном устройстве

Аккумуляторную батарею можно оставлять в зарядном устройстве на неопределенное время, когда горит светодиод. Зарядное устройство будет поддерживать полную зарядку аккумуляторной батареи.

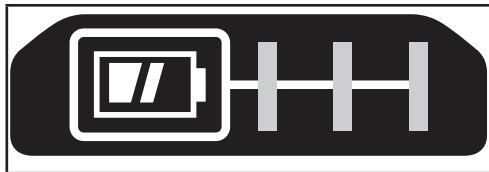
Температурная задержка

При слишком низкой или слишком высокой температуре батареи, зарядное устройство автоматически переходит в режим температурной задержки: зеленый светодиод (8а)


будет мигать, в то время как красный светодиод (8b) будет гореть постоянно; при этом зарядка не начинается до тех пор, пока батарея не достигнет нужной температуры. Как только нужная температура будет достигнута, устройство автоматически перейдет в режим зарядки. Данная функция обеспечивает максимальный срок эксплуатации аккумуляторной батареи.

Индикатор заряда (Рис. В)

Аккумуляторная батарея имеет индикатор заряда, который позволяет быстро установить состояние заряда батареи, как показано на Рис. В. Нажатие кнопки заряда (7a) позволяет легко посмотреть оставшийся заряд батареи, как показано на Рис. В.



Установка и извлечение аккумуляторной батареи из инструмента

 **Внимание!** Проверьте, нажата ли кнопка блокировки, чтобы исключить вероятность срабатывания пускового выключателя при извлечении или установке батареи.


Установка батареи (Рис. С)


- Вставьте аккумуляторную батарею в инструмент до щелчка, как показано на Рис. С. Убедитесь, что батарея полностью вошла и зафиксирована на месте.

Снятие батареи (Рис. С)

- Нажмите кнопку разблокирования аккумуляторного отсека (7b), как показано на Рис. С и извлеките аккумуляторную батарею из инструмента.

Крюк для хранения (дополнительная принадлежность) (Рис. D)

 **Внимание!** Чтобы снизить риск получения серьезной травмы, устанавливайте переключатель направления вращения в положение выключения или выключайте инструмент и отсоединяйте батарею, прежде чем выполнять какую-либо регулировку либо удалять/устанавливать какие-либо дополнительные приспособления. Случайный запуск может привести к травме.


 **Внимание!** Во избежание получения серьезной травмы убедитесь в том, что винт (10) крюка для хранения хорошо затянут.

Примечание: При креплении или смене крюка для хранения (9), используйте только входящий в комплектацию винт (10). Убедитесь в надежности затяжки винта.

Если крепление не нужно, его можно снять с инструмента. Чтобы передвинуть крюк для хранения (9), выкрутите удерживающий его винт (10).


Примечание: Доступны различные крюки для настенных направляющих и конфигураций хранения. Дополнительную информацию см. на нашем веб-сайте по адресу www.stanleytools.eu/3.

Сборка

 **Внимание!** Перед сборкой снимите аккумуляторную батарею с инструмента и убедитесь, что пыльное полотно остановлено. Полотно после работы может сильно нагреваться.


Установка и снятие пыльного полотна (Рис. Е)


- Удерживайте пыльное полотно (11) зубьями, обращенными вверх.
- Переведите зажимной рычаг пыльного полотна (3) вниз.
- Вставьте хвостовик полотна в зажим полотна (4) до упора.
- Отпустите рычаг.
- Для извлечения пыльного полотна (11), переведите зажимной рычаг пыльного полотна (3) вниз и извлеките пыльное полотно.

 **Внимание!** Во время работы полотно может сильно нагреваться. При снятии пыльного полотна обязательно надевайте защитные перчатки.

Включение и выключение (Рис. F)

- Чтобы включить инструмент, переместите кнопку блокировки (2) влево, затем нажмите и удерживайте курковый пусковой выключатель с регулировкой скорости (1).
- Чтобы выключить инструмент, отпустите курковый пусковой выключатель (1).

 **Внимание!** Не включайте и не выключайте инструмент под нагрузкой.

 **Внимание!** Всегда перемещайте кнопку блокировки (2) вправо, когда инструмент не используется.

Регулировка скорости

Пусковой выключатель с регулировкой скорости позволяет работать с разными скоростями для наилучшего распила различных материалов.

- Скорость инструмента зависит от глубины нажатия на курковый пусковой выключатель (1).

Пиление с наклоном (Рис. G, H и I)

Подшова может быть установлена в положение пиления с наклоном 45° влево или вправо.

Установка угла наклона:

- Разблокируйте подошву (5), ослабив зажимной болт (12) подошвы при помощи шестигранного ключа, входящего в комплект поставки.
- Передвиньте подошву (5) вперед, выводя ее из фиксированного положения с наклоном 0°.
- Поверните подошву и установите ее под необходимым углом (Рис. H).
- Передвиньте подошву назад, чтобы зафиксировать ее справа или слева.
- Зафиксируйте подошву (5) в нужном положении, затянув зажимной болт (12) подошвы шестигранным ключом, входящим в комплект поставки.

Примечание: Подошву можно устанавливать под углом в 45° влево и вправо.

Режимы резания (Рис. J)

Данный лобзик имеет три режима резания: два круговых и один прямолинейный. Круговое резание отличается более резким движением пильного полотна и предназначено для обработки мягких материалов, таких как древесина или пластик. Круговое движение обеспечивает быстрый рез, но его поверхность менее гладкая. В режиме маятника полотно перемещается не только вверх и вниз во время резания, но и вперед.



Внимание! Распиловка металлов и твердых пород древесины в режиме маятника запрещена.

- Переведите переключатель режимов пиления (6) на одну из трех позиций: 0, 1 и 2.
- Положение 0 для прямолинейного резания.
- Положения 1 и 2 для кругового резания.
- Энергичность резания увеличивается при переводе переключателя с первой позиции на вторую; вторая позиция используется для наиболее быстрого и резкого пиления.

Пиление

- Всегда удерживайте инструмент обеими руками.
- Прежде чем приступить к резке, дайте пиле поработать несколько секунд без нагрузки.
- Не применяйте чрезмерное давление к инструменту во время резания.
- По возможности, прижимайте подошву (5) к поверхности заготовки. Это позволит улучшить управление инструментом и уменьшает вибрацию, а также предупреждает повреждение полотна.

Советы по оптимальному использованию

Общее

- Используйте высокие обороты для дерева, средние обороты для алюминия и ПВХ, и низкие обороты для металлов, кроме алюминия.

Пиление ламината

Поскольку пильное полотно выполняет рез при ходе вверх, на поверхности заготовки рядом с подошвой пилы могут появиться повреждения.

- Используйте пильное полотно с мелкими зубьями.
- Выполняйте пиление с обратной стороны заготовки.
- Для сведения расщепления к минимуму, прижмите черновые материалы с обеих сторон заготовки и выполняйте пиление всех трех материалов одновременно.

Пиление металла

Учитывайте, что распил металла занимает гораздо больше времени, чем распил древесины.

- Используйте пильное полотно, предназначенное для пиления металла. Используйте полотно с мелкими зубьями для черных металлов и полотна с более крупными зубьями для цветных металлов.
- При пилении тонколистовой стали прижмите деревянный брусок с обратной стороны рабочей детали и распиливайте их вместе.
- Нанесите слой смазки вдоль линии реза.

Дополнительные принадлежности

Производительность вашего инструмента напрямую зависит от используемых принадлежностей. Дополнительные принадлежности STANLEY FATMAX разработаны по самым высоким стандартам и предназначены для улучшения характеристик работы инструмента. Используя эти принадлежности, вы достигнете наилучших результатов в работе. Данный инструмент совместим с пильными полотнами с U-образным и T-образным хвостовиком.

Техническое обслуживание

Ваш инструмент имеет длительный срок эксплуатации и требует минимальных затрат на техническое обслуживание. Для длительной безотказной работы необходимо обеспечить правильный уход за инструментом и его регулярную чистку.



Внимание! Перед выполнением обслуживания выключите инструмент и отключите его от сети.

- Регулярно очищайте вентиляционные отверстия инструмента и зарядного устройства мягкой щеткой или сухой тканевой салфеткой.

- Регулярно очищайте корпус двигателя влажной салфеткой. Не используйте никакие абразивные чистящие средства или средства на основе растворителей.
- Периодически наносите каплю смазки на ось опорного ролика пильного полотна.

Замена штепсельной вилки (только для Великобритании и Ирландии)

Если необходимо установить новую штепсельную вилку:

- Осторожно снимите старую вилку.
- Подсоедините коричневый провод к терминалу фазы в новой вилке.
- Подсоедините синий провод к нулевому терминалу.



Внимание! Заземление не требуется.

Соблюдайте инструкции по установке вилки высокого качества. Рекомендованный предохранитель: 5 А.

Защита окружающей среды



Отдельная утилизация. Изделия и аккумуляторные батареи с данным символом на маркировке запрещается утилизировать с обычными бытовыми отходами.

Изделия и аккумуляторные батареи содержат материалы, которые могут быть извлечены или переработаны, снижая потребность в исходном сырье.

Пожалуйста, утилизируйте электрические изделия и аккумуляторные батареи в соответствии с местными нормами. Дополнительная информация доступна по адресу www.2helpU.com

Технические характеристики

SFMC600 (H1)		
Напряжение	В _{пост. тока}	18
Скорость без нагрузки	мин ⁻¹	0-2500
Длина хода	мм	19
Максимальная глубина распила		
Древесина	мм	55
Сталь	мм	8
Алюминий	мм	20
Вес	кг	2,62

Зарядное устройство		SFMCB11	SC200 / SFMCB12	SFMCB14
Входное напряжение	В _{перем. тока}	230	230	230
Выходное напряжение	В _{пост. тока}	18	18	18

Зарядное устройство		SFMCB11	SC200 / SFMCB12	SFMCB14
Ток	А	1,25	2	4

Аккумуляторная батарея		SFMCB201	SB202 / SFMCB202	SB204 / SFMCB204	SB206 / SFMCB206
Напряжение	В _{пост. тока}	18	18	18	18
Емкость	Ач	1,5	2,0	4,0	6,0
Тип		Ионно-литиевая	Ионно-литиевая	Ионно-литиевая	Ионно-литиевая

Уровень звукового давления согласно EN62841:

Звуковое давление (L_{pA}) 82 дБ(А), погрешность (К) 5 дБ(А)

Акустическая мощность (L_{WA}) 93 дБ(А), погрешность (К) 5 дБ(А)

Сумма величин вибрации (сумма векторов по трем осям), измеренных в соответствии со стандартом EN62841:

Резка досок ($a_{h,v}$) 4,9 м/с², погрешность (К) 1,5 м/с²

Распил листового металла ($a_{h,M}$) 8,8 м/с², погрешность (К) 1,5 м/с²

Заявление о соответствии нормам ЕС

ДИРЕКТИВА ПО МЕХАНИЧЕСКОМУ ОБОРУДОВАНИЮ



Беспроводной лобзик - SFMC600

Stanley Europe заявляет, что продукция, описанная в разделе «Технические характеристики» соответствует: 2006/42/EC, EN62841-1:2015, EN62841-2-11:2016

Эти продукты также соответствуют Директивам 2014/30/EU и 2011/65/EU. За дополнительной информацией обращайтесь в STANLEY Europe по адресу, указанному ниже или приведенному на задней стороне обложки руководства.

Нижеподписавшийся несет ответственность за составление технической документации и составил данную декларацию по поручению компании Stanley Europe.

А. П. Смит (A. P. Smith)

Технический директор инженерного отдела
 STANLEY FATMAX Europe, Egide Walschaertsstraat 14-18,
 2800 Mechelen, Belgium
 22.10.2019

Гарантия

STANLEY FATMAX с уверенностью в качестве своей продукции предлагает клиентам гарантию на 12 месяцев с момента покупки. Данная гарантия является дополнительной и ни в коей мере не направлена на ущемление ваших юридических прав. Гарантия действует на территории стран-участниц Европейского союза и в Европейской зоне свободной торговли.

Чтобы подать заявку по гарантии, заявка должна соответствовать положениям и условиям STANLEY FATMAX, кроме того, вам потребуется предъявить продавцу или авторизованному специалисту по ремонту подтверждение покупки. Положения и условия гарантии STANLEY FATMAX на 1 год и местонахождение ближайшего авторизованного специалиста по ремонту можно узнать через Интернет по адресу www.2helpU.com, или связавшись с местным представительством STANLEY FATMAX по адресу, указанному в данном руководстве.

Посетите наш веб-сайт www.stanleytools.eu/3, чтобы зарегистрировать свое новое изделие STANLEY FATMAX и получать информацию о новинках и специальных предложениях.

Дополнительная информация:

Дату изготовления (код даты) указан на корпусе инструмента. Код даты, который так же включает год изготовления, отштампован на поверхности корпуса изделия. Пример: 2021 46 XX, где 2021 – год изготовления, 46-неделя изготовления, XX – код завода изготовителя.

ТОВАР СЕРТИФИЦИРОВАН. Орган по сертификации "РОСТЕСТ- Москва", Адрес: 119049, г. Москва, улица Житная, д. 14, стр. 1; 117418, Москва, Нахимовский просп., 31 (факт.). Тел.: (499) 1292311, (495) 6682893, E-mail: office@rostest.ru

Изготовитель: Изготовитель: Блэк энд Деккер Холдингс ГмбХ, Германия, 65510, Идштайн, ул. Блэк энд Деккер, 40, тел. +496126212790.

Уполномоченное изготовителем юр.лицо: ООО "Стэнли Блэк энд Деккер", 117485, город Москва, улица Обручева, дом 30/1, строение 2, Телефон: + 7 (495) 258-3981, факс: + 7 (495) 258-3984, E-mail: inbox@dewalt.com. Сведения о импортере указаны в сопроводительной документации и/или на упаковке.



Приложение к руководству по эксплуатации электрооборудования для определения месяца производства по номеру текущей календарной недели года

Электрооборудование торговых марок "Dewalt", "Stanley", "Stanley FatMAX", "BLACK+DECKER".

Директивы 2014/30/EU ЕВРОПЕЙСКОГО ПАРЛАМЕНТА И СОВЕТА от 26 февраля 2014 г. "О гармонизации законодательств Государств-членов ЕС в области электромагнитной совместимости", 2006/42/ЕС ЕВРОПЕЙСКОГО ПАРЛАМЕНТА И СОВЕТА от 17 мая 2006 г. "О машинах и оборудовании"; 2014/35/EU ЕВРОПЕЙСКОГО ПАРЛАМЕНТА И СОВЕТА от 26 февраля 2014 г. "О гармонизации законодательств государств-членов в области размещения на рынке электрооборудования, предназначенного для использования в определенных пределах напряжения". Серийный выпуск.

ТОВАР СЕРТИФИЦИРОВАН

Орган по сертификации "РОСТЕСТ- Москва", Адрес: 119049, г. Москва, улица Житная, д. 14, стр. 1; 117418, Москва, Нахимовский просп., 31 (фактический), Телефон: (499) 1292311, (495) 6682893, Факс: (495) 6682893, E-mail: office@rostest.ru
Изготовитель: Изготовитель: Блэк энд Деккер Холдингс ГмбХ, Германия, 65510, Идштайн, ул. Блэк энд Деккер, 40, тел. +496126212790.

Уполномоченное изготовителем юр.лицо:

ООО "Стэнли Блэк энд Деккер", 117485, город Москва, улица Обручева, дом 30/1, строение 2
Телефон: + 7 (495) 258-3981, факс: + 7 (495) 258-3984, E-mail: inbosh@dewalt.com
Сведения о импортере указаны в сопроводительной документации и/или на упаковке

Хранение.

Необходимо хранить в сухом месте, вдали от источников повышенных температур и воздействия солнечных лучей. При хранении необходимо избегать резкого перепада температур. Хранение без упаковки не допускается

Срок службы.

Срок службы изделия составляет 5 лет. Не рекомендуется к эксплуатации по истечении 5 лет хранения с даты изготовления без предварительной проверки.

Дата изготовления (код даты) указана на корпусе инструмента.

Код даты, который также включает год изготовления, оштампован на поверхности корпуса изделия.

Пример:

2014 46 XX, где 2014 –год изготовления, 46-неделя изготовления.

Определить месяц изготовления по указанной неделе изготовления можно согласно приведенной ниже таблице.

Транспортировка.

Категорически не допускается падение и любые механические воздействия на упаковку при транспортировке. При разгрузке/погрузке не допускается использование любого вида техники, работающей по принципу зажима упаковки.

Перечень критических отказов, возможные ошибочные действия персонала.

Не допускается эксплуатация изделия:

- При появлении дыма из корпуса изделия
- При повреждении и/или оголенном сетевом кабеле
- при повреждении корпуса изделия, защитного кожуха, рукоятки
- при попадании жидкости в корпус
- при возникновении сильной вибрации
- при возникновении сильного искрения внутри корпуса

Критерии предельных состояний.

- При поврежденном и/или оголенном сетевом кабеле
- при повреждении корпуса изделия

Месяц	Январь	Февраль	Март	Апрель	Май	Июнь	Июль	Август	Сентябрь	Октябрь	Ноябрь	Декабрь	Год производства
Неделя	1	5	9	14	18	23	27	31	36	40	44	49	2018
	2	6	10	15	19	24	28	32	37	41	45	50	
	3	7	11	16	20	25	29	33	38	42	46	51	
	4	8	12	17	21	26	30	34	39	43	47	52	
Неделя			13		22			35				48	2019
	1	6	10	14	18	23	27	31	36	40	45	49	
	2	7	11	15	19	24	28	32	37	41	46	50	
	3	8	12	16	20	25	29	33	38	42	47	51	
	4	9	13	17	21	26	30	34	39	43	48	52	
Неделя					22			35		44			2020
	1	6	10	14	19	23	27	32	36	40	45	49	
	2	7	11	15	20	24	28	33	37	41	46	50	
	3	8	12	16	21	25	29	34	38	42	47	51	
	4	9	13	17	22	26	30	35	39	43	48	52	
Неделя				18			31		44				2021
	2	6	10	14	19	23	27	32	36	41	45	49	
	3	7	11	15	20	24	28	33	37	42	46	50	
	4	8	12	16	21	25	29	34	38	43	47	51	
	5	9	13	17	22	26	30	35	39	44	48	52	
Неделя				18			31		40			1	2022
	2	6	10	15	19	23	28	32	36	41	45	49	
	3	7	11	16	20	24	29	33	37	42	46	50	
	4	8	12	17	21	25	30	34	38	43	47	51	
	5	9	13	18	22	26	31	35	39	44	48	52	
		14				27			40			1	

STANLEY
FATMAX

ГАРАНТИЙНЫЙ ТАЛОН

3 ГОДА
ГАРАНТИИ

1. Поздравляем Вас с покупкой высококачественного изделия STANLEY FATMAX и выражаем признательность за Ваш выбор.
2. При покупке изделия требуйте проверки его комплектности и исправности в Вашем присутствии, инструкцию по эксплуатации и заполненный Гарантийный талон на русском языке. В гарантийном талоне должны быть внесены: модель, дата продажи, серийный номер, дата производства инструмента; название, печать и подпись торговой организации. При отсутствии у Вас правильно заполненного Гарантийного талона, а также несоответствия указанных в нем данных, мы будем вынуждены отклонить Ваши претензии по качеству данного изделия.
3. Во избежание недоразумений, убедительно просим Вас перед началом работы с изделием внимательно ознакомиться с инструкцией по его эксплуатации. Правовой основой настоящих гарантийных условий является действующее Законодательство. Гарантийный срок на данное изделие составляет 36 месяцев и исчисляется со дня продажи. В случае устранения недостатков изделия, гарантийный срок продлевается на период его нахождения в ремонте. Срок службы изделия составляет 5 лет со дня продажи.
4. В случае возникновения каких-либо проблем в процессе эксплуатации изделия рекомендуем Вам обращаться только в уполномоченные сервисные центры STANLEY FATMAX, адреса и телефоны которых Вы сможете найти на сайте www.2helpU.com или узнать в магазине. Наши сервисные станции - это не только квалифицированный ремонт, но и широкий ассортимент запчастей и принадлежностей.
5. Производитель рекомендует проводить периодическую проверку и техническое обслуживание изделия в уполномоченных сервисных центрах.
6. Наши гарантийные обязательства распространяются только на неисправности, выявленные в течение гарантийного срока и вызванные дефектами производства и / или материалов.
7. Гарантийные условия не распространяются на неисправности изделия, возникшие в результате:
 - 7.1. Несоблюдения пользователем предписаний инструкции по эксплуатации изделия, применения изделия не по назначению, неправильного хранения, использования принадлежностей, расходных материалов и запчастей, не предусмотренных производителем.
 - 7.2. Механического повреждения (сколы, трещины и разрушения) внутренних и внешних деталей изделия, основных и вспомогательных рукояток, сетевого электрического кабеля, вызванного внешним ударным или любым иным воздействием.
 - 7.3. Попадания в вентиляционные отверстия и проникновение внутрь изделия посторонних предметов, материалов или веществ, не являющихся отходами, сопровождающими применение изделия по назначению, такими как: стружка, опилки, песок, и пр.
 - 7.4. Воздействий на изделие неблагоприятных атмосферных и иных внешних факторов, таких как дождь, снег, повышенная влажность, нагрев, агрессивные среды, несоответствие параметров питающей электросети, указанных на инструменте.
 - 7.5. Стихийного бедствия. Повреждение или утрата изделия, связанное с непредвиденными бедствиями, стихийными явлениями, в том числе вследствие действия непреодолимой силы (пожар, молния, потоп и другие природные явления), а также вследствие перепадов напряжения в электросети и других причин, которые находятся вне контроля производителя.
8. Гарантийные условия не распространяются:
 - 8.1. На инструменты, подвергавшиеся вскрытию, ремонту или модификации вне уполномоченного сервисного центра.
 - 8.2. На детали и узлы, имеющие следы естественного износа, такие как: приводные ремни и колеса, угольные щетки, смазка, подшипники, зубчатое зацепление редукторов, резиновые уплотнения, сальники, направляющие ролики, муфты сцепления, бойки, толкатели, стволы, и т.п.
 - 8.3. На сменные и расходные части: цанги, зажимные гайки и фланцы, фильтры, ножи, шлифовальные подошвы, цепи, звездочки, пыльные шины, защитные кожухи, пилки, абразивы, пыльные и абразивные диски, фрезы, сверла, буры и т.п.
 - 8.4. На неисправности, возникшие в результате перегрузки инструмента (как механической, так и электрической), повлекшей выход из строя одновременно двух и более деталей и узлов, таких как ротора и статора, обеих обмоток статора, ведомой и ведущей шестерни редуктора или других узлов и деталей. К безусловным признакам перегрузки изделия относятся, помимо прочего: появление цветов побежалости, деформация или оплавление деталей и узлов изделия, потемнение или обугливание изоляции проводов электродвигателя под воздействием высокой температуры.

Товар получен в исправном состоянии, без видимых повреждений, в полной комплектации, проверен в моем присутствии, претензий по качеству товара не имею. С условиями гарантийного обслуживания ознакомлен и согласен.

Ф. И. О. и подпись покупателя _____

Уважаемые клиенты, наша сеть авторизованных сервисных центров постоянно расширяется. Актуальную информацию об обслуживании в интересующем вас городе вы можете узнать на сайте

www.2helpU.com

Информация об инструменте

Наименование инструмента	
Модель	
Наименование продавца	
Дата продажи	

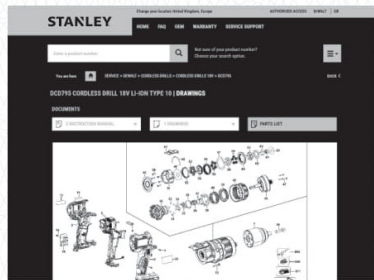
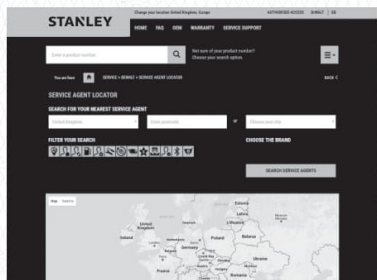
М.П.
Продавца

Серийный номер / Дата производства

Инструмент	
Зарядное устройство	
Аккумулятор 1	
Аккумулятор 2	

На сайте www.2helpU.com доступны следующие функции:

- Список авторизованных сервисных центров
- Удобный поиск ближайшего сервисного центра
- Руководство по эксплуатации
- Технические характеристики
- Список деталей и запасных частей
- Схема сборки инструмента



**Также данную информацию вы можете получить, позвонив по телефону:
8(800) 1000 876**

ОТМЕТКА О ПРОВЕДЕНИИ СЕРВИСНОГО ОБСЛУЖИВАНИЯ

№1	№2	№3	№4
№ заказа	№ заказа	№ заказа	№ заказа
Дата поступления	Дата поступления	Дата поступления	Дата поступления
Дата ремонта	Дата ремонта	Дата ремонта	Дата ремонта
Печать и подпись сервисного центра	Печать и подпись сервисного центра	Печать и подпись сервисного центра	Печать и подпись сервисного центра

Сфера застосування

Лобзикова пила виробництва компанії STANLEY FATMAX була розроблена для розпилювання деревини, пластмаси та листового металу. Цей пристрій призначений для професійного використання, а також для приватних непрофесійних користувачів.

Інструкції з техніки безпеки

Загальні правила безпеки для електричного інструмента



Увага! Ознайомтеся з усіма попередженнями, інструкціями з техніки безпеки, зображеннями та специфікаціями, які поставляються з цим електричним інструментом. Невиконання наведених нижче попереджень та інструкцій може призвести до ураження електричним струмом, пожежі та/або серйозних травм.

Збережіть всі попередження та інструкції для використання в майбутньому. Термін «електричний інструмент» в усіх попередженнях, перерахованих нижче, стосується використовуваних вами інструментів, що працюють від мережі енергоспоживання (з використанням електричного кабелю) або батарей (без кабелю).

1. Безпека робочої зони

- Робоча зона завжди має бути чистою та добре освітленою.** Захаращена або темна робоча зона призводить до нещасних випадків.
- Не використовуйте електричні інструменти у вибухонебезпечній атмосфері, наприклад поруч із вогнєнебезпечними рідинами, газами та пилом.** Електричні інструменти створюють іскри, що можуть запалити пил або пару.
- Тримайте дітей та сторонніх подалі під час використання інструмента.** Відвернення уваги може призвести до втрати контролю.

2. Електрична безпека

- Вилка електричного інструмента повинна відповідати розетці. Ніколи жодним чином не змінюйте вилку. Не використовуйте адаптери з заземленими електричними інструментами.** Немодифіковані вилки та розетки, що підходять до них, зменшують ризик ураження електричним струмом.
- Уникайте контакту тіла з заземленими поверхнями, такими як труби, радіатори, плити та холодильники.** Якщо ваше тіло заземлене, збільшується ризик ураження електричним струмом.

- Не залишайте електричні інструменти під дощем або в умовах підвищеної вологості.** Вода, що потрапляє в електричний інструмент, підвищує ризик ураження електричним струмом.
- Не використовуйте кабель живлення не за призначенням. Ніколи не переносьте, не тягніть та не відключайте електричний інструмент від розетки електроживлення за допомогою шнура.** Тримайте шнур подалі від високих температур, мастила, гострих предметів та рухомих деталей. Пошкоджені або перекручені шнури підвищують ризик ураження електричним струмом.
- При використанні електричного інструмента на вулиці, використовуйте подовжувальний шнур, що підходить для використання на вулиці.** Використання шнура, що призначений для використання поза приміщенням, знижує ризик ураження електричним струмом.
- Якщо неможливо уникнути використання електричного інструмента в умовах підвищеної вологості, використовуйте живлення, захищене пристроєм залишкового струму (RCD).** Використання RCD знижує ризик ураження електричним струмом.

3. Особиста безпека

- Будьте в стані готовності, дивіться, що ви робите, та будьте розсудливі, працюючи з електричним інструментом. Не використовуйте електричний інструмент, коли ви втомлені або знаходитесь під впливом наркотичних речовин, алкоголю або ліків.** Втрата уваги під час роботи з електричним інструментами може призвести до серйозних травм.
- Використовуйте особисті засоби безпеки. Завжди використовуйте засоби захисту очей.** Засоби безпеки, такі як протипилова маска, нековзкі безпечні черевки, захисний шолом та засоби захисту слухового апарату, використані для відповідних умов, зменшують імовірність особистих травм.
- Уникайте випадкового запуску. Переконайтесь в тому, що перемикач знаходиться в позиції Вимк., перш ніж підключати інструмент до джерела електроживлення та/або акумулятора, переміщувати або переносити.** Може статися нещасний випадок, коли ви переносите інструмент, тримаючи палець на вимикачі, або підключаєте живлення до вимикача в позиції Увімк.
- Зніміть усі ключі для регулювання або гайкові ключі, перш ніж вмикати електричний інструмент.** Гайковий ключ, що залишився прикріпленим до якоїсь деталі електричного пристрою, що обертається, може призвести до травм.

- e. Не прикладайте надмірних зусиль. Завжди утримуйте правильну постановку ніг і рівновагу. Це дає вам змогу краще контролювати інструмент в неочікуваних ситуаціях.
- f. Одягайтеся відповідним чином. Не вдягайте вільний одяг або прикраси. Тримайте ваше волосся та одяг подалі від рухомих деталей. Вільний одяг, прикраси або довге волосся можуть зачепитися за рухомі деталі.
- g. Якщо передбачені пристрої для підключення до засобів виділення та збирання пилу, переконайтеся, що вони правильно підключені та використовуються. Використання таких пристроїв зменшує ризик виникнення небезпечних ситуацій, що пов'язані з потраплянням пилу.
- h. Навіть якщо ви добре знаєте інструмент та часто його використовуєте, не розслабляйтесь та не забувайте про принципи техніки безпеки. Необережні дії можуть за долю секунди призвести до важких тілесних ушкоджень.
4. Використання електричного інструмента та догляд за ним
- a. Не прикладайте надмірних зусиль під час роботи з інструментом. Використовуйте електричний інструмент, який відповідає завданню, що виконується. Правильно обраний інструмент виконає завдання краще та безпечніше за умов, для яких він був розроблений.
- b. Не використовуйте інструмент, якщо його неможливо ввімкнути та вимкнути за допомогою вимикача. Будь-який електричний інструмент, яким неможливо керувати за допомогою вимикача, є небезпечним і має бути відремонтований.
- c. Якщо вилка знімна, відключіть її від джерела живлення та/або вийміть акумулятор, перш ніж виконувати будь-які налаштування, змінювати додаткове обладнання або зберігати інструмент. Ці профілактичні заходи зменшують ризик випадкового запуску електричного інструмента.
- d. Зберігайте вимкнені електричні інструменти в недоступному для дітей місці та не дозволяйте особам, що не знайомі з електричним інструментом або цими інструкціями, використовувати електричний інструмент. Електричні інструменти є небезпечними, якщо вони використовуються некваліфікованими користувачами.
- e. Технічне обслуговування електричних інструментів та аксесуарів. Перевіряйте несумісність або заїдання рухомих деталей, наявність ушкоджених частин та інших умов, що можуть впливати на роботу електричного інструмента. Якщо є пошкодження, відремонтуйте електричний інструмент перед використанням. Нещасні випадки часто є результатом того, що інструмент не пройшов відповідного технічного обслуговування.
- f. Різальні інструменти мають бути гострими та чистими. Правильно доглянуті різальні інструменти з гострими різальними кромками мають меншу імовірність заїдання, і ними легше керувати.
- g. Використовуйте електричний інструмент, додаткові інструменти та деталі інструменту тощо у відповідності до цих інструкцій та відповідно до даного типу електричних інструментів, зважаючи на умови використання та роботу, яка має бути виконана. Використання електричних інструментів не за призначенням може призвести до виникнення небезпечних ситуацій.
- h. Всі ручки та поверхні для тримання інструмента мають бути сухими, без залишків мастила. Слизькі ручки та поверхні для тримання не дозволяють безпечно працювати та контролювати інструмент у неочікуваних ситуаціях.
5. Використання та догляд за інструментом, що працює від батареї
- a. Заряджайте інструмент лише за допомогою зарядного пристрою, вказаного виробником. Зарядний пристрій, що підходить до одного типу акумуляторів, може призвести до пожежі в разі використання з іншим акумулятором.
- b. Використовуйте електричні інструменти лише з призначеними для них акумуляторами. Використання інших акумуляторів може призвести до травм або пожежі.
- c. Коли акумулятори не використовуються, зберігайте їх подалі від металевих предметів, як скріпки, монети, ключі, цвяхи, гвинти або інші невеликі предмети, що можуть призвести до замикання двох контактів. Коротке замикання клем акумулятора може призвести до вибуху або пожежі.
- d. За невідповідних умов використання рідина може вилетіти з акумулятора; уникайте контакту з цією рідиною. Якщо контакт таки стався, промийте забруднену ділянку водою. Якщо рідина потрапила в очі, промийте водою та зверніться до лікаря. Рідина, що витікає з акумулятора, може призвести до подразнень та опіків.
- e. Не використовуйте пошкоджений або модифікований акумулятор або інструмент. Пошкоджені або модифіковані акумулятори можуть поводити себе непередбачуваним чином, призводячи до пожежі, вибуху або тілесним ушкодженням.

- f. Не надавайте акумулятор та інструмент дії вогню та надмірних температур. Вплив вогню або температури вище 130 °C може спричинити вибух.
 - g. Виконуйте всі інструкції щодо зарядки; заряджайте акумулятор та інструмент тільки в межах температурного діапазону, вказаного в інструкціях. Неналежна зарядка або зарядка поза межами вказаного температурного діапазону може пошкодити акумулятор та підвищити ризик пожежі.
- 6. Обслуговування**
- a. Надавайте ваш електричний інструмент для обслуговування кваліфікованим спеціалістом з ремонту та використовуйте тільки ідентичні заміні деталі. Це забезпечить безпеку електричного пристрою, що обслуговується.
 - b. Ніколи не обслуговуйте пошкоджені АКУМУЛЯТОРИ самостійно. Сервісне обслуговування АКУМУЛЯТОРНИХ БАТАРЕЙ повинно здійснюватися тільки виробником або уповноваженими постачальниками.

Додаткові попередження з техніки безпеки для лобзикових пилок та шабельних пилок

- Тримайте електроінструмент за ізольовану поверхню для тримання під час виконання операцій, коли різальне приладдя може торкнутися схованої проводки. Ріжучі елементи при контакті з дротом під напругою може призвести до появи напруги в інструменті та ураження оператора електричним струмом.
- Використовуйте затискач або інший спосіб закріплення деталі, що оброблюється, на стабільній платформі. Утримування деталі в руці та притискання її до тіла робить її нестабільною та може призвести до втрати контролю.
- Тримайте руки подалі від ріжучої поверхні. Ніколи не підставляйте руки під заготовку. Не піднісьте пальці до пильного полотна із зворотно-поступальним рухом та до фіксатора пильного полотна. Не намагайтесь зробитипилу більш стійкою, тримаючись за опорну пластину.
- Ножі повинні бути гострими. Затуплені або пошкоджені пильні полотна спричиняють відхилення пили від прямої лінії та заїдання під навантаженням. Завжди використовуйте відповідні пильні полотна в залежності від матеріалу заготовки та типу розрізу.
- Під час розпилювання труб або трубопроводів переконайтесь, що в них немає води, електричних кабелів, тощо.

- Не торкайтесь заготовки та пильного полотна відразу після використання інструмента. Вони можуть бути дуже гарячими.
- Перед розпилюванням стін, підлоги та стелі пам'ятайте про приховану небезпеку, перевірте розташування кабелів та труб.
- Пильне полотно продовжує рухатись після відпускання перемикача. Перш ніж покласти інструмент, необхідно вимкнути його та зачекати, щоб пильне полотно повністю зупинилось.



Увага! Вдихання пилу, що утворюється при розпилюванні може бути небезпечним для здоров'я оператора та навіть спостерігачів. Необхідно використовувати протипилову маску, яка призначена спеціально для захисту від пилу та випаровувань, та переконайтесь, що особи, які знаходяться в робочій зоні, також використовують засоби захисту.

- Використання за призначенням описане в цьому керівництві з використання. Використання аксесуарів або приладдя, виконання будь-яких дій з інструментом, що суперечать рекомендаціям цієї інструкції, може становити небезпеку травмування людини та/або пошкодження майна.

Безпека оточення

- Цей інструмент не призначений для використання особами (включаючи дітей) із зниженими фізичними, сенсорними або розумовими можливостями або особами, яким бракує досвіду або знань за винятком випадків, коли такі особи працюють під наглядом або отримали інструкції щодо використання пристрою від особи, яка несе відповідальність за їх безпеку.
- Уважно слідкуйте за тим, щоб діти не гралися з пристроєм.

Залишкові ризики.

Під час використання інструмента можуть виникнути додаткові залишкові ризики, які не внесені до попереджень щодо техніки безпеки в цьому посібнику. Ці ризики можуть виникнути як результат неправильного використання, тривалого використання, тощо.

Незважаючи на виконання всіх відповідних правил техніки безпеки та використання захисних пристроїв, неможливо уникнути деяких залишкових ризиків. Сюди належать:

- Травми через контакт з деталями, що рухаються/обертаються.
- Травми при заміні деталей, пильних полотен або аксесуарів.

- Травми через занадто тривале використання інструменту. При використанні будь-якого інструменту протягом тривалого періоду часу не забувайте робити регулярні перерви.
- Порушення слуху.
- небезпека для здоров'я через вдихання пилу, що утворюється під час використання інструменту (наприклад, при роботі з деревом, особливо з дубом, буком та ДВП)

- При утилізації батарей дотримуйтесь інструкцій, наведених у розділі «Захист навколишнього середовища».



Не заряджайте пошкоджені батареї.

Зарядні пристрої

- Використовуйте зарядний пристрій Stanley FatMax для зарядки батарей лише того інструмента, з яким він був у комплекті. Інші батареї можуть вибухнути, спричинивши травми та пошкодження.
- Ніколи не намагайтесь заряджати батареї, що не підлягають зарядці.
- негайно замініть пошкоджений шнур живлення.
- Уникайте контакту зарядного пристрою з водою.
- Не відкривайте зарядний пристрій.
- Не розбирайте зарядний пристрій.



Зарядний пристрій призначений для використання в приміщенні.



Прочитайте інструкції цього посібника перед використанням.

Електрична безпека



Зарядний пристрій має подвійну ізоляцію, тому заземлення непотрібне. Завжди перевіряйте відповідність джерела живлення напрузі, що вказана на табличці з паспортними даними. Ніколи не намагайтесь замінити зарядний пристрій звичайним мережним штепселем.

- Якщо силовий кабель пошкоджений, його необхідно замінити у виробника або в офіційному сервісному центрі STANLEY FATMAX для уникнення небезпеки.

Компоненти

Цей пристрій оснащено всіма або кількома з указаних нижче компонентів.

1. Тригерний перемикач змінної швидкості
2. Кнопка блокування
3. Важіль блокування пильного полотна
4. Затискач пильного полотна
5. Опорна пластина
6. Кнопка розривання
7. Батарея

Використання



Увага! Інструмент повинен працювати з рекомендованою швидкістю. Не перевантажуйте його.

Вібрація

Значення вібрації, вказані в технічних даних та в декларації про відповідність вимірні з дотриманням стандартних методів тестування, наданих в EN 62841, та їх можна використовувати для порівняння одного інструменту з іншим. Задекларовані значення вібрації можна також використовувати для попереднього оцінювання впливу вібрації.



Увага! Значення вібрації під час використання інструмента може відрізнятися від задекларованого в залежності від способів використання інструмента. Рівень вібрації може перевищувати вказані значення.

Оцінюючи вплив вібрації для визначення заходів безпеки за вимогами 2002/44/ЕС, щоб захистити людей, які регулярно використовують інструменти в роботі, необхідно враховувати реальні умови та способи використання інструмента, у тому числі всі періоди робочого циклу, наприклад час, коли інструмент вимкнено та коли він працює в режимі холостого ходу, а також час, потрібний для запуску інструмента.

Написи на інструменті

На інструменті є наступні символи:



Увага! Щоб зменшити ризик травм, користувач повинен прочитати інструкцію з експлуатації.

Додаткові інструкції з техніки безпеки для батарей та зарядних пристроїв

Батареї

- Ніколи не намагайтесь відкривати батарею.
- Не занурюйте батарею у воду.
- Не зберігайте у місцях, де температура може перевищувати 40 °С.
- Заряджайте лише за температури навколишнього середовища між 10 °С та 40 °С.
- Заряджайте лише за допомогою зарядного пристрою, що надається з інструментом.

Зарядження акумуляторної батареї (рис. А)

Необхідно зарядити батарею перед першим використанням, а також коли вона не може забезпечити достатню потужність для виконання завдань, які легко виконувались раніше.

Батарея може стати теплою під час зарядки; це нормально та не є показником проблеми.



Увага! Не заряджайте батарею за температури навколишнього середовища нижче 10 °C або вище 40 °C. Рекомендована температура зарядки: приблизно 24 °C.

Примітка. Зарядний пристрій не заряджає батарею, якщо її температура нижче приблизно 10 °C або вище 40 °C.

Батарею потрібно залишити у зарядному пристрої, який автоматично почне її заряджати, коли температура батареї підніметься або зменшиться.

Примітка. Щоб забезпечити максимальну продуктивність та тривалість роботи літій-іонних акумуляторів, повністю заряджайте їх перед першим використанням.

- Підключіть зарядний пристрій (8) до відповідної розетки перед встановленням акумулятора (7).
- Зелений індикатор зарядки (8a) буде блимати постійно, вказуючи на те, що процес зарядки розпочався.
- Після завершення зарядки зелений індикатор зарядки (8a) залишається постійно включеним. Це означає, що акумулятор (7) повністю заряджений та може бути винятий та використовуватися одразу або залишатися в зарядному (8) пристрої.
- Не тримайте батареї розрядженими більше 1 тижня. Термін служби батареї значно зменшується, якщо вона зберігається у незарядженому стані.

Режими світлодіода зарядного пристрою

	Заряджається: Зелений світлодіод блимає	
	Повністю заряджений: Зелений світлодіод постійно горить	
	Затримка через надмірно високу/низьку температуру батареї: Зелений світлодіод блимає Червоний світлодіод постійно горить	

Примітка. Сумісний зарядний пристрій не буде заряджати несправний акумулятор. Зарядний пристрій розпізнає

несправну акумуляторну батарею та не ввімкне світловий індикатор.

Примітка. Це також може свідчити про проблему з зарядним пристроєм. Якщо виявлено проблему із зарядним пристроєм, віднесіть зарядний пристрій та акумулятор для перевірки в авторизований сервісний центр.

Залишення батареї в зарядному пристрої

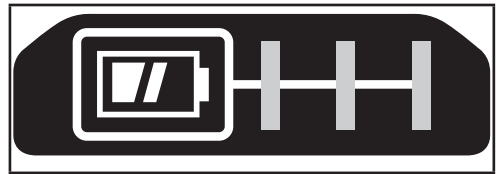
Батареї можна залишити в зарядному пристрої на необмежений час з індикатором, який працює. Зарядний пристрій буде підтримувати батарею у повністю зарядженому стані.

Затримка через надмірно високу/низьку температуру батареї

Якщо зарядний пристрій визначає, що батарея є занадто гарячою або занадто холодною, він автоматично вмикає режим температурної затримки, зелений світлодіодний індикатор (8a) буде періодично блимати, а червоний світлодіодний індикатор (8b) буде постійно горіти, припиняючи процес зарядки, доки батарея не досягне відповідної температури. Зарядний пристрій автоматично перемикається в режим зарядки батареї. Ця функція забезпечує максимальний термін служби акумулятора.

Індикатор стану зарядки акумулятора (рис. B)

Акумулятор містить індикатор стану зарядки для швидкого визначення заряду батареї, як показано на рисунку B. Натиснувши кнопку стану зарядки (7a), можна легко переглянути, скільки заряду залишилося в акумуляторі, як показано на рисунку B.

**Встановлення акумулятора в інструмент та його вимання з інструмента**

Увага! Перед встановленням та зніманням батареї переконайтесь, що інструмент заблокований, щоб уникнути його випадкового запуску.

Встановлення акумуляторної батареї (рис. C)

- Вставте акумулятор в інструмент до упору, щоб почути звук клацання, як показано на рисунку А. Переконайтеся, що акумулятор повністю вставлений і зафіксований в цьому положенні.

Вийняття акумулятора (рис. С)

- Натисніть кнопку вивільнення батареї (7b), як показано на рисунку С, та витягніть її з пристрою.

Гачок для ремня (додатковий аксесуар) (рис. D)



Увага! Щоб знизити ризик серйозних травм, встановіть кнопку реверсу (вперед/назад) у положення блокування або вимкніть інструмент та відключіть акумулятор перед виконанням будь-яких налаштувань або зніманням/встановленням насадок або аксесуарів. Випадковий запуск може призвести до травм.



Увага! Щоб знизити ризик отримання важких травм, переконайтесь у надійній фіксації гвинта (10), який утримує поясний гачок.

Примітка. Для встановлення або заміни поясного гачка (9) використовуйте лише гвинт (10), який йде в комплекті.

Переконайтесь, що гвинт надійно затягнутий.

Якщо гачок непотрібний взагалі, його можна зняти з інструмента.

Щоб переставити поясний гачок (9), викрутіть гвинт (10), який його кріпить.

Примітка. Можливі різні конфігурації зберігання і гачка для пересувного підвішування на стіну.

Відвідайте наш сайт www.stanleytools.eu/3 для подальшої інформації.

Монтаж



Увага! Перед збиранням від'єднайте батарею від інструмента та переконайтесь, що пильне полотно зупинилось. Пильні полотна, що використовувались, можуть бути гарячими.

Встановлення та знімання пильного полотна (рис. Е)

- Тримайте пильне полотно (11) так, щоб зубці були направлені вперед.
- Підніміть важіль блокування пильного полотна (3) вгору.
- Вставте хвостовик пильного полотна у затискач пильних полотен (4) до упору.
- Відпустіть важіль.
- Щоб зняти пильне полотно (11), потягніть важіль блокування пильного полотна (3) униз та витягніть полотно.



Увага! Пильне полотно може стати гарячим під час використання. Завжди використовуйте рукавиці при зміні пильного полотна.

Увімкнення/вимкнення (рис. F)

- Для увімкнення перемістіть перемикач блокування (2) вліво, потім потягніть і утримуйте тригерний перемикач змінної швидкості (1).
- Щоб вимкнути, відпустіть тригерний перемикач Увім./Вимк. (1).



Увага! Не вмикайте і не вимикайте інструмент під навантаженням.



Увага! Завжди переміщайте перемикач блокування (2) вправо у положення блокування, коли не використовуєте інструмент.

Регулятор змінної швидкості

Перемикач змінної швидкості дозволяє обирати різні швидкості для полегшення розпилювання в різних матеріалах.

- Швидкість визначається ступенем витягування тригерного перемикача (1).

Підрізання живоплоту (рис. G, H і I)

Опорна пластина може бути встановлена під кутом 45° вправо або вліво.

Щоб встановити кут нахилу:

- Ослабте болт кріплення опори (12) за допомогою шестигранного ключа з комплекту поставки для розблокування опорної пластини (5).
- Перемістіть опорну пластину (5) вперед, щоб відпустити її з положення фіксатора 0°.
- Поверніть опорну пластину до потрібного кута нахилу (рис. H).
- Перемістіть опорну пластину назад, щоб задіяти лівий або правий фіксатор.
- Затягніть болт кріплення опори (12) за допомогою шестигранного ключа з комплекту поставки для блокування опорної пластини (5) у потрібному положенні.

Примітка. Пластину можна нахилити вліво або вправо, а також її можна фіксувати на значенні 45°.

Процес розрізання (рис. J)

Ця лобзикова пилка має три режими розрізання: два кругові й один прямолінійний. Кругове різання відрізняється більш різким рухом пильного диска і призначене для розрізання м'яких матеріалів, таких як деревина або пластик.

Круговий рух забезпечує швидке розрізання, але поверхня розрізу менш гладка. При круговому різанні пильний диск рухається вперед при кожному ході, а також вгору і вниз.



Увага! Ніколи не використовуйте круговий рух для різання твердої деревини або металу.

- Перемістіть кнопку розрізання (6) в одне з трьох положень різання: 0, 1 і 2.

- Положення 0 призначене для прямого розрізання.
- Позиції 1 і 2 призначені для кругового розрізання.
- Потужність розрізання збільшується при збільшенні значень від 1 до 2, на положенні 2 різання буде найпотужнішим.

Розпилювання

- Завжди тримайте інструмент обома руками.
- Диск має спочатку просто попрацювати перед початком різання.
- Застосовуйте лише м'який тиск на інструмент при розпилюванні.
- За можливості притискайте опорну пластину пилки (5) до поверхні заготовки. Це покращує контроль над інструментом та зменшує вібрацію, а також дозволяє запобігти пошкодженню пильного диска.

Підказки для оптимального використання

Загальні положення

- Використовуйте велику швидкість при роботі з деревом, середню швидкість для алюмінію і ПВХ, та низьку – для інших металів, крім алюмінію.

Розпилювання ламінатів

Оскільки пильне полотно виконує розпил при ході вгору, на поверхні заготовки поруч з підшовою пили можуть з'явитися пошкодження.

- Використовуйте дрібнозубчасте пильне полотно.
- Ріжте із задньої поверхні заготовки.
- Для зведення до мінімуму розколювання прикріпіть шматочок дерева або картону до обох боків заготовки та виконуйте розпил цього «сандвіча».

Розпилювання металу

Пам'ятайте, що розпилювання металу займає набагато більше часу, ніж розпилювання деревини.

- Використовуйте спеціальне пильне полотно для металу. Використовуйте пильне полотно з дрібними зубцями для чорних металів та з більшими зубцями для кольорових металів.
- Під час розрізання листового металу прикріпіть шматочок дерева до задньої поверхні заготовки та виконуйте розпил цього «сандвіча».
- Нанесіть шар мастила вздовж передбачуваної лінії розрізу.

Приладдя

Продуктивність роботи інструмента залежить від приладдя, яке ви використовуєте. Витратні матеріали виробництва компанії Stanley FATMAX розроблені з дотриманням високих стандартів якості та створені для підвищення ефективності використання вашого інструмента. Використовуючи це обладнання, ви

отримаєте максимум ефективності від вашого інструменту. Цей інструмент підходить для використання з пильними полотнами з U-подібним і T-подібним хвостовиками.

Технічне обслуговування

Ваш інструмент призначено для роботи протягом довгого часу з мінімальним обслуговуванням. Довга задовільна робота приладу залежить від належного обслуговування приладу та регулярного його очищення.



Увага! Перед проведенням технічного обслуговування вимкніть інструмент та від'єднайте його від розетки.

- Регулярно очищуйте вентиляційні отвори інструменту та зарядного пристрою, використовуючи м'яку щітку або суху тканину.
- Регулярно очищуйте корпус двигуна вологою тканиною. Не використовуйте абразивні очищувачі та засоби, що містять розчинники.
- Час від часу додавайте краплю мастила на вісь направляючого ролика пильного полотна.

Заміна шнура живлення (тільки для Великої Британії та Ірландії)

Якщо потрібно встановити нову вилку, виконайте кілька дій:

- Зніміть стару вилку та утилізуйте її, дотримуючись правил техніки безпеки.
- Приєднайте коричневий провідник до активного виходу нової вилки.
- Приєднайте блакитний провідник до нейтрального виходу.



Увага! Жоден провід не повинен бути підключений до клеми заземлення. Дотримуйтесь інструкцій щодо встановлення, які постачаються з якісними вилками. Плавкий запобіжник, що рекомендується: 5 А.

Захист навколишнього середовища



Роздільний збір. Пристрої та батареї, позначені цим символом, не можна викидати зі звичайним побутовим сміттям.

Пристрої та батареї містять матеріали, які можна відновити та переробити, що зменшить потребу у сировині.

Будь ласка, віддавайте електричні інструменти та батареї на переробку відповідно до місцевих постанов.

Більш детальну інформацію можна отримати на сайті www.2helpU.com

Технічні характеристики

		SFMC600 (H1)
Напруга	$V_{\text{постійний струм}}$	18
Швидкість без навантаження	об/хв	0-2500
Довжина ходу	мм	19
Максимальна глибина розрізу		
Деревина	мм	55
Сталь	мм	8
Алюміній	мм	20
Маса	кг	2,62

Зарядний пристрій		SFMCB11	SC200 / SFMCB12	SFMCB14
Вхідна напруга	$V_{\text{мін. струму}}$	230	230	230
Вихідна напруга	$V_{\text{пост. струму}}$	18	18	18
Струм	A	1,25	2	4

Батарея		SFMCB201	SB202 / SFMCB202	SB204 / SFMCB204	SB206 / SFMCB206
Напруга	$V_{\text{пост. струму}}$	18	18	18	18
Ємність	Ам-пер-го-дин	1,5	2,0	4,0	6,0
Тип		Літій-і-онна	Літій-і-онна	Літій-і-онна	Літій-і-онна

Рівень звукового тиску згідно з EN62841:

Звуковий тиск (L_{pA}) 82 дБ(А), похибка (К) 5 дБ(А)Звукова потужність (L_{WA}) 93 дБ(А), похибка (К) 5 дБ(А)

Загальні значення вібрації (векторна сума трьох векторів) згідно з EN62841:

Розрізання дощок ($a_{\text{h, B}}$) 4,9 m/s^2 , похибка (К) 1,5 m/s^2 Розрізання листового металу ($a_{\text{h, M}}$) 8,8 m/s^2 , похибка (К) 1,5 m/s^2

Декларація про відповідність нормам ЄС

ДИРЕКТИВА ДЛЯ МЕХАНІЧНОГО ОБЛАДНАННЯ



Акумуляторна лобзикова пила – SFMC600

Компанія Stanley Europe заявляє, що продукти, описані у розділі «Технічні дані» відповідають вимогам: 2006/42/EC, EN62841-1:2015, EN62841-2-11:2016

Ці продукти також відповідають вимогам Директив 2014/30/EU та 2011/65/EU. Для отримання додаткової інформації зверніться до компанії Stanley Europe за наведеною нижче адресою або прочитайте інформацію на зворотному боці цього посібника.

Особа, яка підписалася нижче, несе відповідальність за упорядкування файлу технічних характеристик та робить цю заяву від компанії Stanley Europe.

A.P. Smith

Технічний директор

STANLEY FATMAX Europe, Egide Walschaertsstraat14-18,
2800 Мехелен, Бельгія
22.10.2019

Гарантія

Компанія STANLEY FATMAX впевнена в якості своєї продукції та пропонує споживачам гарантію тривалістю 12 місяців з дати покупки. Ця гарантія доповнює і жодним чином не обмежує ваші законні права. Ця гарантія є чинною на території країн-членів Європейського союзу та в європейській зоні вільної торгівлі.

Позив за гарантією повинен відповідати умовам компанії Stanley FATMAX, при цьому вам необхідно буде надати доказ покупки продавцю або спеціалісту офіційного сервісного центру. Умови гарантії компанії STANLEY FATMAX на 1 рік та місцезнаходження найближчого сервісного центру можна дізнатися в інтернеті на сайті www.2helpU.com або звернутися до місцевого представництва компанії STANLEY FATMAX за адресою, вказаною у цьому керівництві.

Відвідайте наш сайт www.stanleytools.eu/3, щоб зареєструвати свій новий продукт STANLEY FATMAX та отримувати інформацію про нові продукти та спеціальні



Виробник:

"Stanley Black & Decker Deutschland GmbH" Black-&-Decker Str.40, D-65510 Idstein, Німеччина

STANLEY
FATMAX

ГАРАНТІЙНИЙ ТАЛОН

3 РОКИ
ГАРАНТІЇ

- Вітаємо Вас з покупкою високоякісного виробу Stanley FATMAX і висловлюємо вдячність за Ваш вибір.
- При покупці виробу вимагайте перевірки його комплектності і справності у Вашій присутності, інструкцію з експлуатації та заповнений гарантійний талон українською мовою. В гарантійному талоні повинні бути внесені: модель, дата продажу, серійний номер, дата виробництва інструменту; назва, печатка і підпис торгової організації. За відсутності у Вас правильно заповненого гарантійного талону, а також при невідповідності зазначених у ньому даних ми будемо змушені відхилити Ваші претензії щодо якості даного виробу.
- Щоб уникнути непорозуміння, переконливо просимо Вас перед початком роботи з виробом уважно ознайомитися з інструкцією з його експлуатації. Правовою основою справжніх гарантійних умов є чинне законодавство. Гарантійний термін на даний виріб складає 36 місяців і обчислюється з дня продажу. У разі усунення недоліків виробу, гарантійний строк продовжується на період його перебування в ремонті. Термін служби виробу становить 5 років з дня продажу.
- У разі виникнення будь-яких проблем у процесі експлуатації виробу рекомендуємо Вам звертатися тільки в уповноважені сервісні центри Stanley FATMAX, адреси та телефони яких Ви зможете знайти в гарантійному талоні, на сайті www.2helpU.com або дізнатися в магазині. Наші сервісні станції - це не тільки кваліфікований ремонт, але і широкий асортимент запчастин і аксесуарів.
- Виробник рекомендує проводити періодичну перевірку і технічне обслуговування виробу в уповноважених сервісних центрах.
- Наші гарантійні зобов'язання поширюються тільки на несправності, виявлені протягом гарантійного терміну і викликані дефектами виробництва та \ або матеріалів.
- Гарантійні умови не поширюються на несправності виробу, що виникли в результаті:
 - Недотримання користувачем приписів інструкції з експлуатації виробу, застосування виробу не за призначенням, неправильного зберігання, використання приладдя, витратних матеріалів і запчастин, що не передбачені виробником.
 - Механічного пошкодження (відколю, тріщини і руйнування) внутрішніх і зовнішніх деталей виробу, основних і допоміжних рукояток, мережевого кабелю, що викликані зовнішнім ударним або будь-яким іншим впливом
 - Потраплення у вентиляційні отвори та проникнення всередину виробу сторонніх предметів, матеріалів або речовин, що не є відходами, які супроводжують застосування виробу за призначенням, такими як: стружка, тирса, пісок, та ін.
 - Впливу на виріб несприятливих атмосферних і інших зовнішніх факторів, таких як дощ, сніг, підвищена вологість, нагрівання, агресивні середовища, невідповідність параметрів електромережі, що зазначені на інструменті.
 - Стихійного лиха. Пошкодження або втрати виробу, що пов'язані з непередбаченими лихами, стихійними явищами, у тому числі внаслідок дії непереборної сили (пожежа, блискавка, потоп і інші природні явища), а також внаслідок перепадів напруги в електромережі та іншими причинами, які знаходяться поза контролем виробника.
- Гарантійні умови не поширюються:
 - На інструменти, що піддавались розкриттю, ремонту або модифікації поза уповноваженим сервісним центром.
 - На деталі, вузли та матеріали, що мають сліди природного зносу, такі як: приводні ремені і колеса, вугільні щітки, мастило, підшипники, зубчасті зчеплення редукторів, гумові ущільнення, сальники, направляючі ролики, муфти, вимикачі, бойки, штовхачі, стволи тощо.
 - На змінні частини: патрони, цанги, затискні гайки і фланці, фільтри, ножі, шліфувальні підшови, ланцюги, зірочки, пильні шини, захисні кошуки, пилки, абразиви, пильні і абразивні диски, фрези, свердла, бури тощо
 - На несправності, що виникли в результаті перевантаження інструменту (як механічного, так і електричного), що спричинили вихід з ладу одночасно двох і більше деталей і вузлів, таких як: ротора і статора, обох обмоток статора, веденої і ведучої шестерні редуктора або інших вузлів і деталей. До безумовних ознак перевантаження виробу відносяться, крім інших: поява кольорів мільниці, деформація або оплавлення деталей і вузлів виробу, потемніння або обуглювання ізоляції проводів електроприводу під впливом високої температури.

Товар отриманий в справному стані, без видимих ушкоджень, в повній комплектції, перевірений у моїй присутності, претензій щодо якості товару не маю. З умовами гарантійного обслуговування ознайомлений і згоден.

П. І. Б. та підпис власника _____

Шановні клієнти, наша мережа авторизованих сервісних центрів постійно розширюється. Актуальну інформацію про обслуговування в місті, що цікавить вас, ви можете дізнатися на сайті

www.2helpU.com

Інформація про інструмент

Найменування інструменту	
Модель	
Найменування продавця	
Дата продажу	

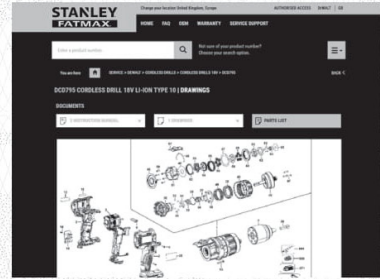
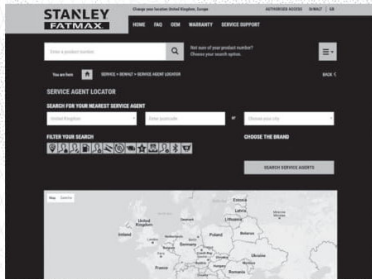
М.п.
Продавця

Серійний номер/Дата виробництва

Інструмент	
Зарядний пристрій	
Акумулятор 1	
Акумулятор 2	

На сайті www.2helpU.com доступні наступні функції:

- Список авторизованих сервісних центрів
- Зручний пошук найближчого сервісного центру
- Керівництво з експлуатації
- Технічні характеристики
- Список деталей і запасних частин
- Схема складання інструменту



Також дану інформацію ви можете отримати, зателефонувавши за номером:
0 (800) 211 521 в Україні

ВІДМІТКА ПРО ПРОВЕДЕННЯ СЕРВІСНОГО ОБСЛУГОВУВАННЯ

№1	№2	№3	№4
№ замовлення	№ замовлення	№ замовлення	№ замовлення
Дата прийому	Дата прийому	Дата прийому	Дата прийому
Дата ремонту	Дата ремонту	Дата ремонту	Дата ремонту
Печатка і підпис сервісного центру	Печатка і підпис сервісного центру	Печатка і підпис сервісного центру	Печатка і підпис сервісного центру

