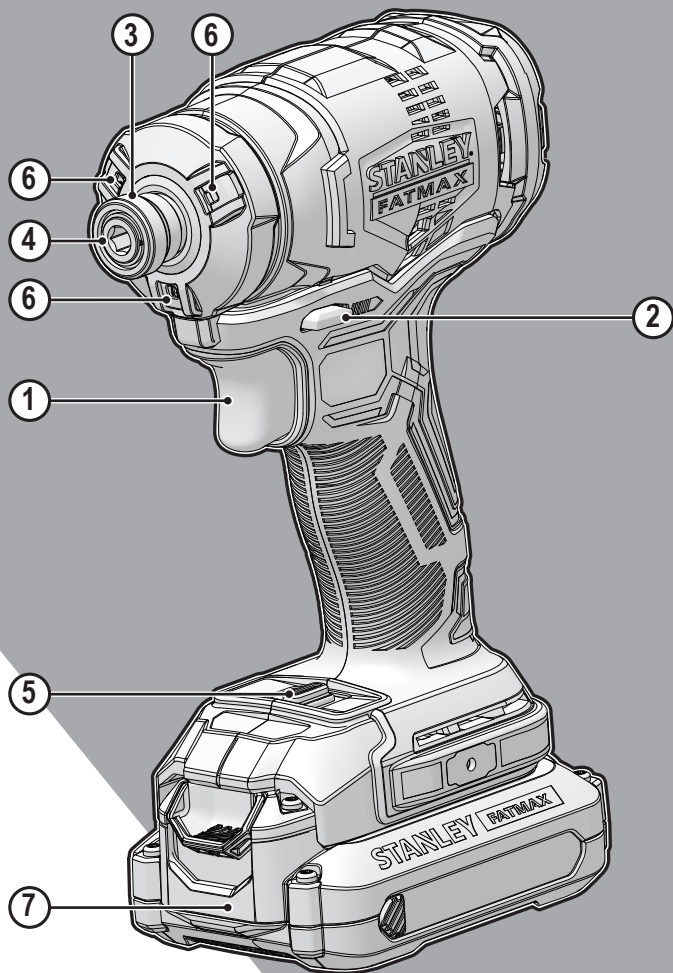
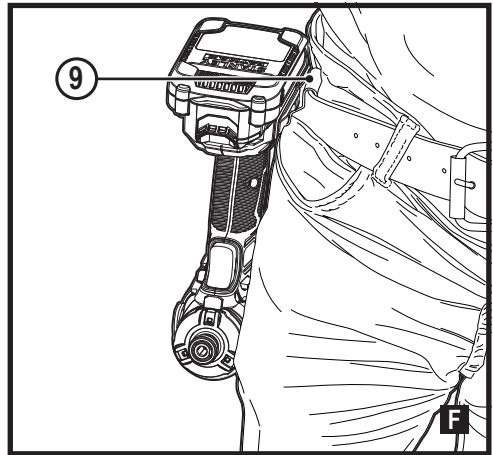
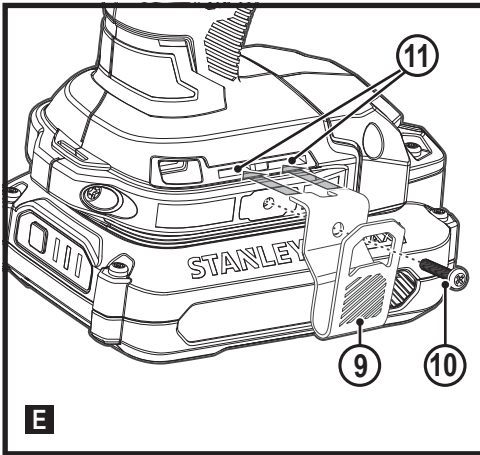
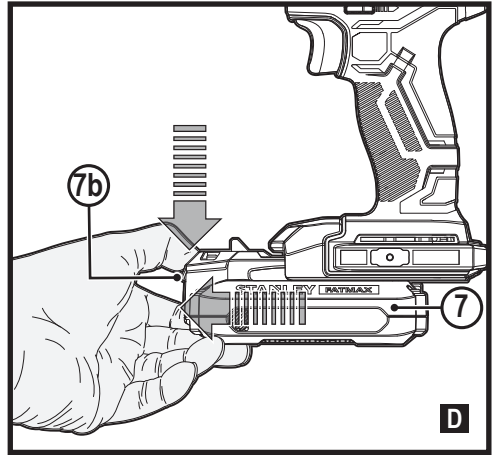
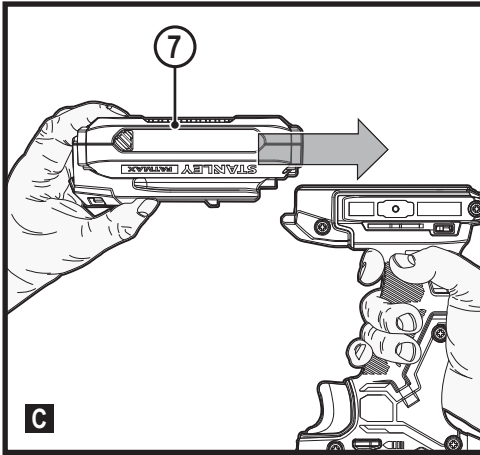
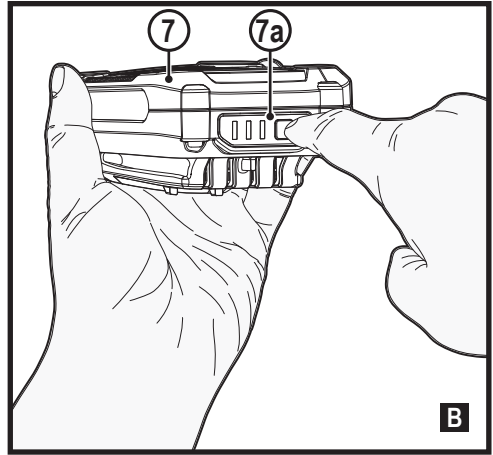
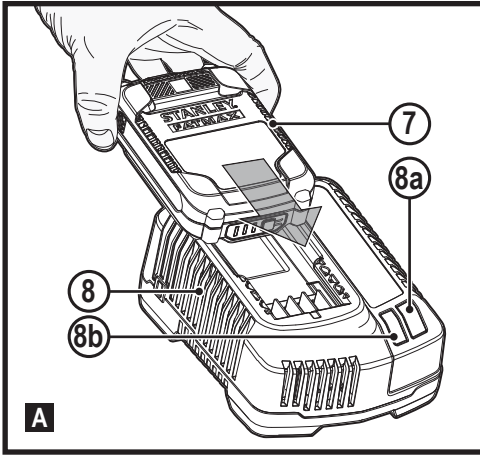


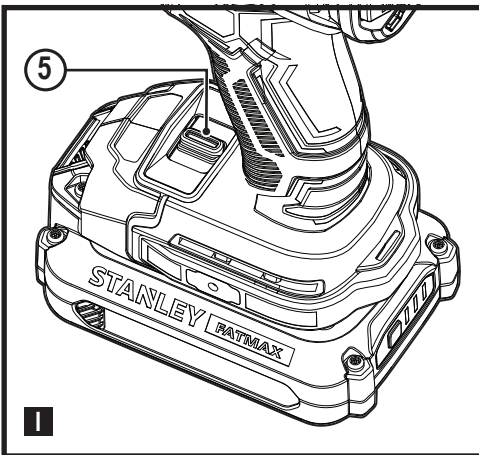
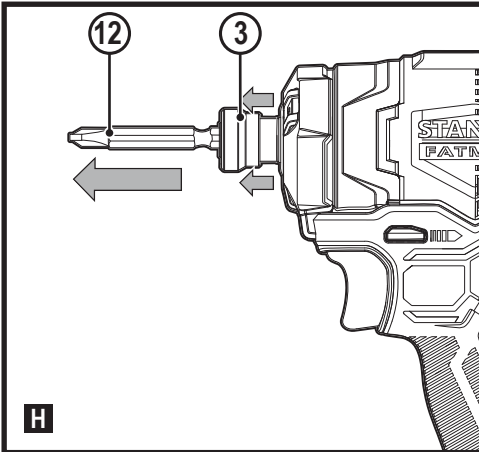
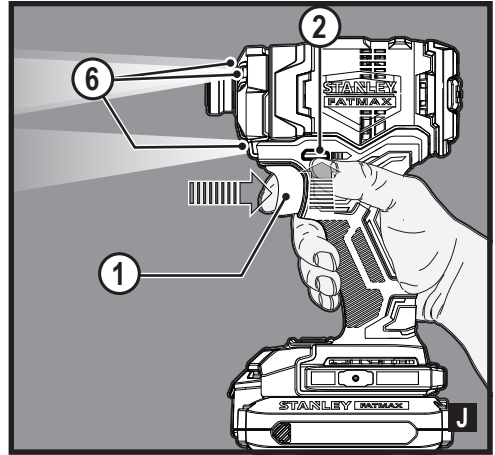
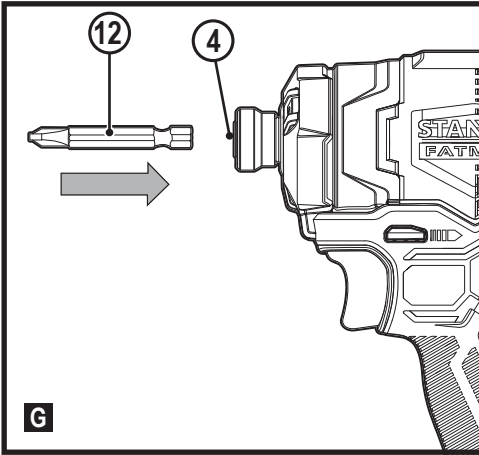
STANLEY[®] FATMAX[®] V20 LITHIUM ION



www.stanley.eu

SFMCF820





Intended use

Your STANLEY FATMAX SFMCF820 impact driver has been designed for screwdriving and nut setting applications. This appliance is intended for professional and private, non-professional users.

Safety instructions

General power tool safety warnings



Warning! Read all safety warnings, instructions, illustrations and specifications provided with this power tool. Failure to follow the warnings and instructions listed below may result in electric shock, fire and/or serious injury.

Save all warnings and instructions for future reference.

The term "power tool" in all of the warnings listed below refers to your mains operated (corded) power tool or battery operated (cordless) power tool.

1. Work area safety

- a. **Keep work area clean and well lit.** Cluttered or dark areas invite accidents.
- b. **Do not operate power tools in explosive atmospheres, such as in the presence of flammable liquids, gases or dust.** Power tools create sparks which may ignite the dust or fumes.
- c. **Keep children and bystanders away while operating a power tool.** Distractions can cause you to lose control.

2. Electrical safety

- a. **Power tool plugs must match the outlet. Never modify the plug in any way.**

- Do not use any adapter plugs with earthed (grounded) power tools.** Unmodified plugs and matching outlets will reduce risk of electric shock.
- b. **Avoid body contact with earthed or grounded surfaces such as pipes, radiators, ranges and refrigerators.** There is an increased risk of electric shock if your body is earthed or grounded.
 - c. **Do not expose power tools to rain or wet conditions.** Water entering a power tool will increase the risk of electric shock.
 - d. **Do not abuse the cord. Never use the cord for carrying, pulling or unplugging the power tool. Keep cord away from heat, oil, sharp edges or moving parts.** Damaged or entangled cords increase the risk of electric shock.
 - e. **When operating a power tool outdoors, use an extension cord suitable for outdoor use.** Use of a cord suitable for outdoor use reduces the risk of electric shock.
 - f. **If operating a power tool in a damp location is unavoidable, use a residual current device (RCD) protected supply.** Use of an RCD reduces the risk of electric shock.
3. **Personal safety**
 - a. **Stay alert, watch what you are doing and use common sense when operating a power tool.**
Do not use a power tool while you are tired or under the influence of drugs, alcohol or medication. A moment of inattention while operating power tools may result in serious personal injury.
 - b. **Use personal protective equipment. Always wear eye protection.** Protective equipment such as dust mask, non-skid safety shoes, hard hat, or hearing protection used for appropriate conditions will reduce personal injuries.
 - c. **Prevent unintentional starting. Ensure the switch is in the off-position before connecting to power source and/or battery pack, picking up or carrying the tool.** Carrying power tools with your finger on the switch or energising power tools that have the switch on invites accidents.
 - d. **Remove any adjusting key or wrench before turning the power tool on.** A wrench or a key left attached to a rotating part of the power tool may result in personal injury.
 - e. **Do not overreach. Keep proper footing and balance at all times.** This enables better control of the power tool in unexpected situations.
 - f. **Dress properly. Do not wear loose clothing or jewellery. Keep your hair and clothing away from moving parts.** Loose clothes, jewellery or long hair can be caught in moving parts.
 - g. **If devices are provided for the connection of dust extraction and collection facilities, ensure these are connected and properly used.** Use of dust collection can reduce dust-related hazards.
 - h. **Do not let familiarity gained from frequent use of tools allow you to become complacent and ignore tool safety principles.** A careless action can cause severe injury within a fraction of a second.
4. **Power tool use and care**
 - a. **Do not force the power tool. Use the correct power tool for your application.**
The correct power tool will do the job better and safer at the rate for which it was designed.
 - b. **Do not use the power tool if the switch does not turn it on and off.** Any power tool that cannot be controlled with the switch is dangerous and must be repaired.
 - c. **Disconnect the plug from the power source and/or the battery pack from the power tool before making any adjustments, changing accessories, or storing power tools.** Such preventive safety measures reduce the risk of starting the power tool accidentally.
 - d. **Store idle power tools out of the reach of children and do not allow persons unfamiliar with the power tool or these instructions to operate the power tool.**
Power tools are dangerous in the hands of untrained users.
 - e. **Maintain power tools and accessories. Check for misalignment or binding of moving parts, breakage of parts and any other condition that may affect the power tools operation. If damaged, have the power tool repaired before use.** Many accidents are caused by poorly maintained power tools.
 - f. **Keep cutting tools sharp and clean.** Properly maintained cutting tools with sharp cutting edges are less likely to bind and are easier to control.
 - g. **Use the power tool, accessories and tool bits etc. in accordance with these instructions, taking into account the working conditions and the work to be performed.**
Use of the power tool for operations different from those intended could result in a hazardous situation.
 - h. **Keep handles and grasping surfaces dry, clean and free from oil and grease.** Slippery handles and grasping surfaces do not allow for safe handling and control of the tool in unexpected situations.
 5. **Battery tool use and care**
 - a. **Recharge only with the charger specified by the manufacturer.** A charger that is suitable for one type of battery pack may create a risk of fire when used with another battery pack.

- b. **Use power tools only with specifically designated battery packs.** Use of any other battery packs may create a risk of injury and fire.
 - c. **When battery pack is not in use, keep it away from other metal objects, like paper clips, coins, keys, nails, screws, or other small metal objects, that can make a connection from one terminal to another.** Shorting the battery terminals together may cause burns or a fire.
 - d. **Under abusive conditions, liquid may be ejected from the battery; avoid contact. If contact accidentally occurs, flush with water. If liquid contacts eyes, additionally seek medical help.** Liquid ejected from the battery may cause irritation or burns.
 - e. **Do not use a battery pack or tool that is damaged or modified.** Damaged or modified batteries may exhibit unpredictable behaviour resulting in fire, explosion or risk of injury.
 - f. **Do not expose a battery pack or tool to fire or excessive temperature.** Exposure to fire or temperature above 130 °C may cause explosion.
 - g. **Follow all charging instructions and do not charge the battery pack or tool outside the temperature range specified in the instructions.** Charging improperly or at temperatures outside the specified range may damage the battery and increase the risk of fire.
- 6. Service**
- a. **Have your power tool serviced by a qualified repair person using only identical replacement parts.** This will ensure that the safety of the power tool is maintained.
 - b. **Never service damaged BATTERY packs.** Service of BATTERY packs should only be performed by the manufacturer or authorized service providers.

1) Safety instructions for all operations

- a) **Hold the power tool by insulated gripping surfaces, when performing an operation where the fastener may contact hidden wiring or its own cord.** Fasteners contacting a "live" wire may make exposed metal parts of the power tool "live" and could give the operator an electric shock.

Additional power tool safety warnings

- ◆ **Use clamps or another practical way to secure and support the work piece to a stable platform.** Holding the work by hand or against your body leaves it unstable and may lead to loss of control.
- ◆ **Before driving fasteners into walls, floors or ceilings, check for the location of wiring and pipes.**
- ◆ **The intended use is described in this instruction manual.**

- ◆ **The use of any accessory or attachment or performance of any operation with this tool other than those recommended in this instruction manual may present a risk of personal injury and/or damage to property.**

Safety of others

- ◆ This tool is not intended for use by persons (including children) with reduced physical, sensory or mental capabilities, or lack of experience and knowledge, unless they have been given supervision or instruction concerning use of the appliance by a person responsible for their safety.
- ◆ Children should be supervised to ensure that they do not play with the appliance.

Residual risks

Additional residual risks may arise when using the tool which may not be included in the enclosed safety warnings. These risks can arise from misuse, prolonged use etc. Even with the application of the relevant safety regulations and the implementation of safety devices, certain residual risks can not be avoided. These include:

- ◆ Injuries caused by touching any rotating/moving parts.
- ◆ Injuries caused when changing any parts, blades or accessories.
- ◆ Injuries caused by prolonged use of a tool. When using any tool for prolonged periods ensure you take regular breaks.
- ◆ Impairment of hearing.
- ◆ Health hazards caused by breathing dust developed when using your tool (example:- working with wood, especially oak, beech and MDF.)

Vibration

The declared vibration emission values stated in the technical data and the declaration of conformity have been measured in accordance with a standard test method provided by EN62841 and may be used for comparing one tool with another. The declared vibration emission value may also be used in a preliminary assessment of exposure.

Warning! The vibration emission value during actual use of the power tool can differ from the declared value depending on the ways in which the tool is used. The vibration level may increase above the level stated.

When assessing vibration exposure to determine safety measures required by 2002/44/EC to protect persons regularly using power tools in employment, an estimation of vibration exposure should consider, the actual conditions of use and the way the tool is used, including taking account of all parts of the operating cycle such as the times when the tool is switched off and when it is running idle in addition to the trigger time.

Labels on tool

The following pictograms along with the date code are shown on the tool:



Warning! To reduce the risk of injury, the user must read the instruction manual.

Additional safety instructions for batteries and chargers (Not provided with the tool)

Batteries

- ◆ Never attempt to open for any reason.
- ◆ Do not expose the battery to water.
- ◆ Do not store in locations where the temperature may exceed 40 °C.
- ◆ Charge only at ambient temperatures between 10 °C and 40 °C.
- ◆ Charge only using the charger provided with the tool.
- ◆ When disposing of batteries, follow the instructions given in the section "Protecting the environment".

Chargers

- ◆ Use your STANLEY FATMAX charger only to charge the battery in the tool with which it was supplied. Other batteries could burst, causing personal injury and damage.
- ◆ Never attempt to charge non-rechargeable batteries.
- ◆ Have defective cords replaced immediately.
- ◆ Do not expose the charger to water.
- ◆ Do not open the charger.
- ◆ Do not probe the charger.



The charger is intended for indoor use only.



Read the instruction manual before use.



Do not attempt to charge damaged batteries.

Electrical safety



Your charger is double insulated; therefore no earth wire is required. Always check that the mains voltage corresponds to the voltage on the rating plate. Never attempt to replace the charger unit with a regular mains plug.

- ◆ If the supply cord is damaged, it must be replaced by the manufacturer or an authorised STANLEY FATMAX Service Centre in order to avoid a hazard.

Warning! Never attempt to replace the charger unit with a regular mains plug.

Mains plug replacement (U.K. & Ireland only)

If a new mains plug needs to be fitted:

- ◆ Safely dispose of the old plug.
- ◆ Connect the brown lead to the live terminal in the new plug.
- ◆ Connect the blue lead to the neutral terminal.

Warning! No connection is to be made to the earth terminal. Follow the fitting instructions supplied with good quality plugs. Recommended fuse: 5 A.

Features

This appliance includes some or all of the following features.

1. Trigger switch
2. Forward/reverse button
3. Chuck collar
4. 6.35 mm hex quick-release chuck
5. Speed Selector
6. LED work light (x3)
7. Battery

Assembly

Warning! Before assembly, remove the battery from the tool.

Charging the battery (fig. A)

The battery needs to be charged before first use and whenever it fails to produce sufficient power on jobs that were easily done before.

The battery may become warm while charging; this is normal and does not indicate a problem.




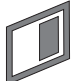


Warning! Do not charge the battery at ambient temperatures below 10 °C or above 40 °C. Recommended charging temperature: approx. 24 °C.

Note: The charger will not charge a battery if the cell temperature is below approximately 10 °C or above 40 °C. The battery should be left in the charger and the charger will begin to charge automatically when the cell temperature warms up or cools down.

Note: To ensure maximum performance and life of lithium-ion battery packs, charge the battery pack fully before first use.

- ◆ Plug the charger (8) into an appropriate outlet before inserting battery pack (7).
- ◆ The green charging light (8a) will blink continuously indicating that the charging process has started.
- ◆ The completion of charge will be indicated by the green charging light (8a) remaining ON continuously. The battery pack (7) is fully charged and may be removed and used at this time or left in the charger (8).
- ◆ Charge discharged batteries within 1 week. Battery life will be greatly diminished if stored in a discharged state.

Charger LED Modes

	Charging: Green LED Intermittent	
	Fully Charged: Green LED Solid	
	Hot/Cold Pack Delay: Green LED Intermittent Red LED Solid	

Note: The compatible charger(s) will not charge a faulty battery pack. The charger will indicate a faulty battery pack by refusing to light.

Note: This could also mean a problem with a charger. If the charger indicates a problem, take the charger and battery pack to be tested at an authorized service centre.

Leaving the battery in the charger

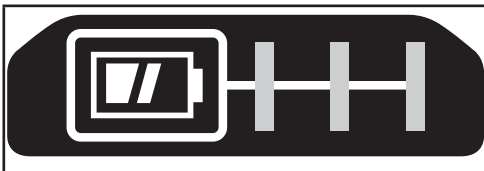
The charger and battery pack can be left connected with the LED glowing indefinitely. The charger will keep the battery pack fresh and fully charged.

Hot/Cold Pack Delay

When the charger detects a battery that is too hot or too cold, it automatically starts a Hot/Cold Pack Delay, the green LED (8a) will flash intermittently, while the red LED (8b) will remain on continuously, suspending charging until the battery has reached an appropriate temperature. The charger then automatically switches to the pack charging mode. This feature ensures maximum battery life.

Battery state of charge indicator (fig. B)

The battery includes a state of charge indicator to quickly determine the extent of battery life as shown in figure B. By pressing the state of charge button (7a) you can easily view the charge remaining in the battery as illustrated in figure B.



Installing and Removing the Battery Pack from the tool

Warning! Make certain the lock-off button is engaged to prevent switch actuation before removing or installing battery.

To install battery pack (fig. C)

- ◆ Insert battery pack firmly into tool until an audible click is heard as shown in figure C. Ensure battery pack is fully seated and fully latched into position.

To remove battery pack (fig. D)

- ◆ Depress the battery release button (7b) as shown in figure D and pull battery pack out of tool.

Belt hook (Optional extra) (fig. E, F)

Warning! To reduce the risk of serious personal injury, place the forward/reverse button in the lock-off position or turn tool off and disconnect battery pack before making any adjustments or removing/installing attachments or accessories. An accidental start-up can cause injury.

Warning! To reduce the risk of serious personal injury, ONLY use the tool's belt hook (9) to hang the tool from a work belt. DO NOT use the belt hook (9) for tethering or securing the tool to a person or object during use. DO NOT suspend tool overhead or suspend objects from the belt hook.

Warning! To reduce the risk of serious personal injury, ensure the screw (10) holding the belt hook is secure.

Note: When attaching or replacing the belt hook (9), use only the screw (10) that is provided. Be sure to securely tighten the screw.

The belt hook (9) can be attached by sliding into the slots (11) on either side of the tool using only the screw (10) provided, to accommodate left- or right-handed users. If the hook is not desired at all, it can be removed from the tool.

To move the belt hook, remove the screw (10) that holds the belt hook (9) in place then reassemble on the opposite side. Be sure to securely tighten the screw (10).

Note: Various trackwall hooks and storage configurations are available.

Please visit our website www.stanley.eu/3 for further information.

Fitting and removing a screwdriver bit or socket (fig. G, H)

This tool is fitted with a quick release chuck to allow for an easy exchange of bits.

Warning! Make certain the tool is locked to prevent switch actuation before installing or removing accessories.

- ◆ Lock the tool by setting the forward/reverse slider (2) to the centre position.
- ◆ Insert the bit shaft (12) into the chuck (4) (fig. G).

Note! To remove the bit/socket, pull and hold the chuck collar (3) away from the front of the tool (fig. H).

Warning! Use only impact rated sockets. Non-impact sockets may break and cause a hazardous condition. Inspect socket prior to use to ensure that it contains no cracks. Use only impact rated accessories.

Speed Selector (fig. I)

Your tool is equipped with a speed selector (5) which allows you to select one of three modes. Select the mode based on the application and control the speed of the tool using the variable speed trigger switch (1).

Use

Warning! Let the tool work at its own pace. Do not overload.

Selecting the direction of rotation (fig. J)

For tightening, use forward (clockwise) rotation. For loosening, use reverse (counterclockwise) rotation.

- ◆ To select forward rotation, push the forward/reverse slider (2) to the left.
- ◆ To select reverse rotation, push the forward/reverse slider to the right.
- ◆ To lock the tool, set the forward/reverse slider into the centre position.

Screwdriving / nut setting

- ◆ Select the appropriate bit / socket for the screw or nut to be driven.
- ◆ Select forward or reverse rotation as described above.
- ◆ Hold the tool in line with the fastener.
- ◆ Press the trigger (1)
- ◆ After tightening, check torque with a torque wrench.

LED work lights

There are three worklights (6) located around the chuck collar (3). The worklights are activated when the trigger switch is depressed. When the trigger is released, the worklight will stay illuminated for up to 20 seconds.

Note: The worklights are for lighting the immediate work surface and are not intended to be used as a flashlight.

Hints for optimum use

Screwdriving

- ◆ Always use the correct type and size of screwdriver bit.
- ◆ If screws are difficult to tighten, try applying a small amount of washing liquid or soap as a lubricant.
- ◆ Always hold the tool and screwdriver bit in a straight line with the screw.

Maintenance

Your STANLEY FATMAX tool has been designed to operate over a long period of time with a minimum of maintenance. Continuous satisfactory operation depends upon proper tool care and regular cleaning.

Your charger does not require any maintenance apart from regular cleaning.

Warning! Before performing any maintenance on the tool, remove the battery from the tool. Unplug the charger before cleaning it.

- ◆ Regularly clean the ventilation slots in your tool and charger using a soft brush or dry cloth.
- ◆ Regularly clean the motor housing using a damp cloth. Do not use any abrasive or solvent-based cleaner.
- ◆ Regularly open the chuck and tap it to remove any dust from the interior.

Protecting the environment



Separate collection. Products and batteries marked with this symbol must not be disposed of with normal household waste.

Products and batteries contain materials that can be recovered or recycled reducing the demand for raw materials. Please recycle electrical products and batteries according to local provisions. Further information is available at www.2helpU.com

Technical data

		SFMCF820	
Voltage	V_{DC}	18V	
No-load speed	Min^{-1}	0-1300/2600/2900	
Beats	BPM	0-3800	
Max. torque (PTI Method)	Nm	190	
Chuck capacity	mm	6.35 (Hex)	
Weight	kg	0.9 (without battery)	

Charger		SFMCB11	SFMCB12	SFMCB14
Input Voltage	V_{AC}	230	230	230
Output Voltage	V_{DC}	18	18	18
Current	A	1.25	2	4

Battery		SFMCB201	SFMCB202	SFMCB204	SFMCB206
Voltage	V_{DC}	18	18	18	18
Capacity	Ah	1.5	2.0	4.0	6.0
Type		Li-Ion	Li-Ion	Li-Ion	Li-Ion

Level of sound pressure according to EN62841:

Sound pressure (L_{pA}) 85,5 dB(A), uncertainty (K) 3 dB(A)

Sound power (L_{WA}) 96,5 dB(A), uncertainty (K) 3 dB(A)

Vibration total values (triax vector sum) according to EN62841:

Drilling into metal ($a_{h,D}$) 8,4 m/s^2 , uncertainty (K) 1.5 m/s^2

EC declaration of conformity

MACHINERY DIRECTIVE



Cordless Impact Driver - SFMCF820

STANLEY Europe declares that these products described under EN62841-1:2015, EN62841-2-2:2014.

These products also comply with Directive 2006/42/EC, 2014/30/EU and 2011/65/EU. For more information, please contact STANLEY Europe at the following address or refer to the back of the manual.

For more information, please contact STANLEY FATMAX at the following address or refer to the back of the manual.

The undersigned is responsible for compilation of the technical file and makes this declaration on behalf of
STANLEY FATMAX.

A handwritten signature in black ink, appearing to read 'A.P. Smith', written in a cursive style.

A.P. Smith

Technical Director of Engineering
STANLEY FATMAX Europe, Egide Walschaertsstraat14-18,
2800 Mechelen, Belgium
27.09.2019

Guarantee

STANLEY FATMAX is confident of the quality of its products and offers consumers a 12 month guarantee from the date of purchase. This guarantee is in addition to and in no way prejudices your statutory rights. The guarantee is valid within the territories of the Member States of the European Union and the European Free Trade Area.

To claim on the guarantee, the claim must be in accordance with STANLEY FATMAX Terms and Conditions and you will need to submit proof of purchase to the seller or an authorised repair agent. Terms and conditions of the STANLEY FATMAX 1 year guarantee and the location of your nearest authorised repair agent can be obtained on the Internet at www.2helpU.com, or by contacting your local STANLEY FATMAX office at the address indicated in this manual.

Please visit our website www.stanley.eu/3 to register your new STANLEY FATMAX product and receive updates on new products and special offers.

Назначение

Ваш ударный винтоверт STANLEY FATMAX SFMCF820 предназначен для заворачивания винтов и затягивания гаек. Это устройство предназначено как для профессионального, так и для частного, не профессионального использования.

Правила техники безопасности

Общие правила безопасности при работе с электроинструментом



Осторожно! Прочтите все правила техники безопасности, инструкции, иллюстрации и спецификации по данному электроинструменту. Несоблюдение представленных ниже предупреждений и инструкций может привести к поражению электрическим током, возгоранию и/или тяжелым травмам.

Сохраните все инструкции для последующего обращения к ним. Термин «электроинструмент» во всех приведенных ниже предупреждениях относится к питаемому от электросети (проводному) или от аккумуляторных батарей (беспроводному) электроинструменту.

1. **Безопасность на рабочем месте**
 - a. **Содержите рабочее место в чистоте и обеспечьте его хорошую освещенность.** Захламление или плохое освещение рабочего места может стать причиной несчастного случая.
 - b. **Запрещается работать с электроинструментами во взрывоопасной атмосфере, например, вблизи легковоспламеняющихся жидкостей, газов и пыли.** Искры, возникающие при работе электроинструмента, могут привести к воспламенению пыли или паров.
 - c. **Не разрешайте детям и посторонним лицам находиться рядом с вами во время работы с электроинструментом.** Отвлекаясь от работы, вы можете потерять контроль над инструментом.
 2. **Электробезопасность**
 - a. **Сетевые вилки электроинструмента должны соответствовать розеткам. Никогда не меняйте штепсельную вилку инструмента.** Запрещается использовать переходники к вилкам для электроинструментов с заземлением. Сохранение вилки инструмента в неизменном виде и совпадение типов вилки и розетки питания снижает вероятность поражения электрическим током.
 - b. **Следует избегать контакта с заземленными поверхностями, такими как трубы, радиаторы, батареи и холодильники.** Если вы будете заземлены, увеличивается риск поражения электрическим током.
 - c. **Не допускайте нахождения электроинструментов под дождем или в условиях повышенной влажности.** При попадании воды в электроинструмент, риск поражения электрическим током возрастает.
 - d. **Бережно обращайтесь с кабелем питания. Не используйте кабель для переноски инструмента и не тяните за него в попытке отключить инструмент от сети. Держите кабель подальше от источников тепла, масла, острых углов или движущихся предметов.** Поврежденный или запутанный кабель питания повышает риск поражения электротоком.
 - e. **При работе с электроинструментом вне помещения необходимо пользоваться удлинителем, рассчитанным на эксплуатацию в соответствующих условиях.** Использование удлинителя, предназначенного для использования вне помещения, снижает риск поражения электрическим током.
 - f. **При необходимости эксплуатации электроинструмента в местах с повышенной влажностью, используйте устройство защитного отключения (УЗО).** Использование УЗО сокращает риск поражения электрическим током.
3. **Обеспечение индивидуальной безопасности**
 - a. **При работе с электроинструментом сохраняйте бдительность, действуйте внимательно и руководствуйтесь здравым смыслом.** Не работайте с электроинструментом, если вы устали, находитесь в состоянии наркотического, алкогольного опьянения или под воздействием лекарственных препаратов. Сиюминутная невнимательность при работе с электроинструментом может привести к серьезным травмам.
 - b. **Используйте средства индивидуальной защиты. Всегда используйте защитные очки.** Средства защиты, такие как пылезащитная маска, обувь с нескользящей подошвой, каска и защитные наушники, используемые при работе, снижают риск травм.
 - c. **Примите меры для предотвращения случайного включения. Перед тем как подключить электроинструмент к источнику питания и/или аккумуляторной батарее, возьмите инструмент или перенести его на другое место, убедитесь, что выключатель находится в положении выключения.** Переноска подключенного электроинструмента с пальцем на выключателе или

- подключение к сети электроинструмента со включенным выключателем создает риск несчастных случаев.
- d. **Уберите все регулировочные или гаечные ключи перед включением электроинструмента.** Ключ, оставленный на вращающейся части электроинструмента, может нанести травмы.
 - e. **Не пытайтесь дотянуться до слишком удаленных поверхностей. Всегда твердо стойте на ногах, сохраняя равновесие.** Это позволит лучше контролировать электроинструмент в непредвиденных ситуациях.
 - f. **Надевайте подходящую одежду. Не носите свободную одежду и ювелирные украшения. Следите за тем, чтобы волосы и одежда не попадали под движущиеся детали.** Возможно наматывание свободной одежды, ювелирных изделий и длинных волос на движущиеся детали.
 - g. **При наличии устройств для подключения оборудования для удаления и сбора пыли необходимо обеспечить правильность их подключения и эксплуатации.** Использование пылеуловителя снижает соответствующие риски.
 - h. **Не допускайте самонадеянности и игнорирования правил техники безопасности даже при большом опыте работы с инструментом.** Небрежное действие может стать причиной серьезной травмы за долю секунды.
4. **Эксплуатация электроинструмента и уход за ним**
- a. **Избегайте чрезмерной нагрузки электроинструмента. Используйте электроинструмент в соответствии с назначением.** Правильно подобранный электроинструмент выполнит работу более эффективно и безопасно при стандартной нагрузке.
 - b. **Не используйте электроинструмент с нерабочим выключателем.** Любой инструмент, управлять выключением и включением которого невозможно, опасен, и его необходимо отремонтировать.
 - c. **Перед выполнением любой регулировки, заменой дополнительных принадлежностей или хранением электроинструмента отключите его от сети или извлеките батарею.** Такие меры предосторожности снижают риск случайного включения электроинструмента.
 - d. **Храните электроинструмент в недоступном для детей месте и не позволяйте работать с инструментом людям, не имеющим соответствующих навыков работы с такого рода инструментами.** Электроинструмент представляет опасность в руках неопытных пользователей.
 - e. **Поддерживайте электроинструмент и насадки в исправном состоянии. Проверьте движущиеся детали на точность совмещения или заклинивание, отсутствие поломок или каких-либо других условий, которые могут повлиять на эксплуатацию электроинструмента. В случае обнаружения повреждений, прежде чем приступить к эксплуатации электроинструмента, его следует отремонтировать.** Большинство несчастных случаев являются следствием пренебрежения уходом за электроинструментом.
 - f. **Содержите режущий инструмент в остро заточенном и чистом состоянии.** Вероятность заклинивания инструмента, за которым следят должным образом и который хорошо заточен, значительно меньше, а работать с ним легче.
 - g. **Используйте данный электроинструмент, а также дополнительные принадлежности и насадки в соответствии с данными инструкциями и с учетом условий и специфики работы.** Использование электроинструмента для работ, для которых он не предназначен, может привести к несчастным случаям.
 - h. **Все рукоятки и поверхности захватывания должны быть сухими и без следов смазки.** Скользкие рукоятки и поверхности захватывания не позволяют обеспечить безопасность работы и управления инструментом в непредвиденных ситуациях.
5. **Использование аккумуляторных инструментов и уход за ними**
- a. **Используйте для зарядки аккумуляторной батареи только указанное производителем зарядное устройство.** Использование зарядного устройства определенного типа для зарядки других аккумуляторных батарей может быть опасно.
 - b. **Используйте для электроинструмента только батареи указанного типа.** Использование других аккумуляторных батарей может привести к травмам и пожару.
 - c. **Избегайте попадания внутрь батареи скрепок, монет, ключей, гвоздей, болтов или других мелких металлических предметов, которые могут вызывать замыкание ее контактов.** Короткое замыкание контактов батареи может привести к возгоранию или ожогу.
 - d. **При повреждении батареи, из нее может вытечь электролит; избегайте контакта с ним. При случайном контакте с электролитом смойте его водой. При попадании электролита в глаза обратитесь за медицинской помощью.** Жидкость, находящаяся внутри батареи, может вызвать раздражение или ожоги.

- e. **Не используйте поврежденные или измененные аккумуляторные батареи или инструменты.** Поврежденные или измененные аккумуляторные батареи могут работать непредсказуемо, что может привести к возгоранию, взрыву или травмам.
- f. **Не подвергайте аккумуляторные батареи или инструмент воздействию огня или повышенной температуры.** Воздействие открытого огня или температуры выше 130 °C может привести к взрыву.
- g. **Следуйте всем инструкциям по зарядке и не заряжайте аккумуляторную батарею или инструмент вне температурного диапазона, указанного в инструкции.** Неправильная зарядка или зарядка вне указанного температурного диапазона может привести к повреждению аккумуляторной батареи и повысить риск воспламенения.
- 6. **Сервисное обслуживание**
 - a. Обслуживание электрифицированного инструмента должно выполняться только квалифицированным техническим персоналом. Это позволит обеспечить безопасность обслуживаемого электроинструмента.
 - b. Не выполняйте обслуживание поврежденных АККУМУЛЯТОРНЫХ БАТАРЕЙ. Обслуживание аккумуляторных батарей должно выполняться только производителем или авторизованными поставщиками услуг.

1) Правила техники безопасности для всех видов работ

- a) При выполнении работ, когда есть вероятность того, что крепежный элемент может коснуться скрытой проводки или собственного сетевого кабеля, держите электроинструмент за изолированные поверхности. Если вы держитесь за металлические детали инструмента, в случае соприкосновения с находящимся под напряжением провода возможно поражение оператора электрическим током.

Дополнительные правила техники безопасности при работе с электроинструментом

- ◆ Используйте струбины или другие приспособления для фиксации обрабатываемой детали, устанавливая их только на неподвижной поверхности. Если держать заготовку руками или упирать в собственное тело, то можно потерять контроль над инструментом или заготовкой.
- ◆ Перед вкручиванием крепежных элементов в стены, полы или потолки проверьте прохождение проводки и трубопровода.
- ◆ Далее в руководстве приводятся виды работ, для которых предназначен данный инструмент.

- ◆ Применение любых принадлежностей и приспособлений, а также выполнение любых операций помимо тех, которые рекомендованы данным руководством, может привести к травмам и/или материальному ущербу.

Безопасность окружающих

- ◆ Данный инструмент не предназначен для использования лицами (включая детей) с ограниченными физическими, сенсорными или ментальными возможностями, а также лицами без достаточного опыта и знаний, если только они не делают этого под руководством лица имеющего соответствующий опыт и отвечающего за их безопасность.
- ◆ Не позволяйте детям играть с данным устройством.

Остаточные риски

При использовании инструмента могут возникнуть дополнительные остаточные риски, которые могут не быть включены в прилагаемые предупреждения по технике безопасности. Эти риски могут возникнуть при неправильном или продолжительном использовании инструмента и т. п.

Несмотря на соблюдение соответствующих инструкций по технике безопасности и использование предохранительных устройств, некоторые остаточные риски невозможно полностью исключить. К ним относятся:

- ◆ Травмы в результате касания вращающихся/движущихся частей.
- ◆ Травмы, которые могут произойти в результате смены деталей, полотен или дополнительных принадлежностей.
- ◆ Травмы, связанные с продолжительным использованием инструмента. При использовании любого инструмента в течение продолжительного периода времени не забывайте делать перерывы.
- ◆ Ухудшение слуха.
- ◆ Ущерб здоровью в результате вдыхания пыли в процессе работы инструментом (например, при обработке древесины, в особенности, дуба, бука и МДФ.)

Вибрация

Заявленные значения вибрации, указанные в технических спецификациях и заявлении о соответствии, были измерены в соответствии со стандартным методом тестирования EN62841 и пригодны для сравнения инструментов. Заявленные значения вибрационного воздействия также могут использоваться при предварительной оценке ее воздействия.

Осторожно! Значения вибрационного воздействия при работе с электроинструментом зависят от вида работ,

выполняемых данным инструментом, и могут отличаться от заявленных значений. Уровень вибрации может быть выше заявленного.

При оценке уровня вибрации для определения степени безопасности, предусмотренного 2002/44/ЕС для защиты людей, регулярно пользующихся электроинструментом при работе, нужно принимать во внимание уровень вибрации, реальные условия использования и способ использования инструмента, а также учитывать все этапы цикла работы (когда инструмент выключается, когда он работает на холостом ходу, а также время переключения с одного режима на другой).

Условные обозначения на инструменте

Помимо кода даты на инструменте имеются следующие знаки:



Осторожно! Во избежание риска получения травм прочтите руководство по эксплуатации.

Дополнительные правила техники безопасности для аккумуляторных батарей и зарядных устройств (не входят в комплект поставки инструмента)

Аккумуляторные батареи

- ◆ Никогда не разбирайте аккумуляторные батареи.
- ◆ Не подвергайте аккумуляторные батареи воздействию воды.
- ◆ Не оставляйте батареи в местах, в которых температура воздуха превышает 40 °С.
- ◆ Заряжайте батареи только при температуре от 10 °С до 40 °С.
- ◆ Заряжайте аккумуляторные батареи только с зарядным устройством, которое прилагается к инструменту.
- ◆ При утилизации батарей следуйте инструкциям, указанным в разделе «Защита окружающей среды».

Зарядные устройства

- ◆ Используйте зарядное устройство STANLEY FATMAX только для зарядки аккумуляторной батареи того инструмента, с которым оно поставлялось. Аккумуляторные батареи других марок могут взорваться, что приведет к получению травмы или повреждению.
- ◆ Не пытайтесь заряжать одноразовые батареи.
- ◆ Немедленно заменяйте поврежденный кабель питания.
- ◆ Не подвергайте зарядное устройство воздействию воды.
- ◆ Не вскрывайте зарядное устройство.
- ◆ Не разбирайте зарядное устройство.



Зарядное устройство можно использовать только в помещении.



Перед началом работы прочтите руководство по эксплуатации.



Не заряжайте поврежденные аккумуляторные батареи.

Электробезопасность



Ваше зарядное устройство имеет двойную изоляцию, поэтому не требует заземления. Всегда проверяйте, соответствует ли напряжение, указанное на табличке с техническими параметрами, напряжению электросети. Никогда не пытайтесь заменить зарядное устройство подключением к обычной сетевой розетке.

- ◆ При повреждении кабеля питания, во избежание рисков, замените его у производителя или в официальном сервисном центре STANLEY FATMAX.

Осторожно! Никогда не пытайтесь заменить зарядное устройство подключением к обычной сетевой розетке.

Замена штепсельной вилки (только для Великобритании и Ирландии)

Если необходимо установить новую штепсельную вилку:

- ◆ Осторожно снимите старую штепсельную вилку.
- ◆ Подсоедините коричневый провод к выводу фазы в новой вилке.
- ◆ Подсоедините синий провод к нулевому выводу.

Осторожно! Заземление не требуется. Соблюдайте инструкции по установке высококачественных штепсельных вилок. Рекомендованный предохранитель: 5 А.

Составные части

Данное устройство может содержать все или некоторые из перечисленных ниже составных частей.

1. Пусковой выключатель
2. Кнопка изменения направления вращения
3. Манжета патрона
4. Быстрозажимной шестигранный патрон 6,35 мм
5. Переключатель скоростей
6. Светодиодная подсветка (x3)
7. Аккумуляторная батарея

Сборка

Осторожно! Извлеките аккумуляторную батарею из инструмента перед сборкой.

Зарядка аккумуляторной батареи (рис. А)

Аккумуляторную батарею нужно заряжать перед первым использованием и каждый раз, когда заряда недостаточно для выполняемых работ.

Во время зарядки аккумуляторная батарея нагревается.

Это нормальная ситуация, которая не указывает на неисправность.

Осторожно! Не заряжайте батарею при температуре окружающей среды ниже 10 °С или выше 40 °С.

Рекомендуемая температура при зарядке составляет приблизительно 24 °С.




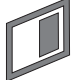
Примечание. Зарядное устройство не будет заряжать аккумуляторную батарею, если температура элемента ниже 10 °С или выше 40 °С.



Аккумуляторную батарею следует оставить в зарядном устройстве. Зарядка начнется автоматически, когда температура элемента аккумуляторной батареи выровняется до нормальных значений.

Примечание. Чтобы обеспечить максимальную производительность и срок службы ионно-литиевых батарей, перед первым использованием полностью зарядите их.

- ◆ Перед установкой аккумуляторной батареи (7) подключите зарядное устройство (8) к соответствующей розетке.
- ◆ Зеленый индикатор зарядки (8a) начнет мигать. Это означает, что процесс зарядки начался.
- ◆ По окончании зарядки зеленый индикатор зарядки (8a) будет гореть непрерывно, не мигая. Теперь аккумуляторная батарея (7) полностью заряжена, и ее можно использовать или оставить в зарядном устройстве (8).
- ◆ Разрядившиеся батареи заряжайте не позже, чем через 1 неделю. Срок службы аккумуляторной батареи значительно уменьшается, если ее хранить в разряженном состоянии.

Режимы горения светодиодного индикатора зарядного устройства

	<p>Зарядка: Мигающий зеленый светодиод</p>	
	<p>Полностью заряжен: Непрерывно горящий зеленый светодиод</p>	

	<p>Температурная задержка: Мигающий зеленый светодиод Непрерывно горящий красный светодиод</p>	
---	---	--

Примечание. Совместимое зарядное устройство(-а) не будет заряжать неисправную аккумуляторную батарею. При неисправной аккумуляторной батарее, индикатор на зарядном устройстве не загорится.

Примечание. Также это может указывать на неисправность зарядного устройства. При наличии неисправностей, связанных с зарядным устройством, проверьте аккумуляторную батарею и зарядное устройство в авторизованном сервисном центре.

Хранение аккумуляторной батареи в зарядном устройстве

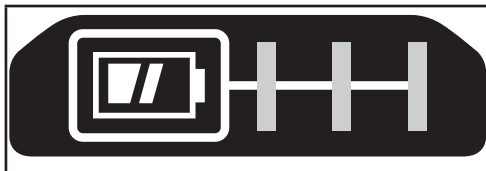
Аккумуляторную батарею можно оставлять в зарядном устройстве на неопределенное время, когда горит светодиод. Зарядное устройство будет поддерживать полную зарядку аккумуляторной батареи.

Температурная задержка

При слишком низкой или слишком высокой температуре батареи, зарядное устройство автоматически переходит в режим температурной задержки: зеленый светодиод (8a) будет мигать, в то время как красный светодиод (8b) будет гореть постоянно; при этом зарядка не начинается до тех пор, пока батарея не достигнет нужной температуры. Как только нужная температура будет достигнута, устройство автоматически перейдет в режим зарядки. Данная функция увеличивает максимальный срок службы аккумуляторной батареи.

Индикатор заряда (рис. В)

Аккумуляторная батарея имеет индикатор заряда, который позволяет быстро установить состояние заряда батареи, как показано на рис. В. Нажатие кнопки заряда (7a) позволяет легко посмотреть оставшийся заряд батареи, как показано на рис. В.



Установка и извлечение аккумуляторной батареи из инструмента

Осторожно! Проверьте, нажата ли кнопка блокировки, чтобы исключить вероятность срабатывания пускового выключателя при извлечении или установке батареи.

Установка батареи (рис. С)

- ◆ Крепко вставьте аккумуляторную батарею в инструмент до щелчка, как показано на рис. С. Убедитесь, что батарея полностью вошла и зафиксирована на месте.

Снятие батареи (рис. D)

- ◆ Нажмите на отпирающую кнопку аккумуляторной батареи (7b), как показано на Рис. D, и извлеките аккумуляторную батарею из инструмента.

Крюк для ремня (дополнительная принадлежность) (рис. E, F)

Осторожно! Чтобы снизить риск получения серьезной травмы, устанавливайте переключатель изменения направления вращения в положение выключения или выключайте инструмент и отсоединяйте аккумуляторную батарею, прежде чем выполнять какую-либо регулировку или удалять/устанавливать какие-либо дополнительные приспособления или принадлежности. Случайный запуск может привести к травме.

Осторожно! Во избежание получения травмы или повреждения инструмента, подвешивайте инструмент на ремень ТОЛЬКО за крепление для ремня (9). ЗАПРЕЩАЕТСЯ использовать крепление для ремня (9) для крепления инструмента к людям или предметам во время эксплуатации. НЕ ПОДВЕШИВАЙТЕ инструмент над головой и не прицепляйте другие объекты к креплению для ремня.

Осторожно! Во избежание получения серьезной травмы убедитесь в том, что винт (10) крепления для ремня хорошо затянут.

Примечание. Прикрепляя или меняя местоположение крепления для ремня (9), используйте только винт (10), входящий в комплект поставки инструмента. Убедитесь в надежности закрепления винта.

Крепление для ремня (9) можно закреплять в пазах (11) с любой стороны инструмента для использования пользователями с рабочей правой или левой рукой, и только с использованием винта (10), входящим в комплект поставки. Если крюк не нужен, его можно снять с инструмента.

Чтобы передвинуть крепление для ремня (9), открутите винт (10), удерживающий его, и установите его на противоположной стороне. Убедитесь в надежности затяжки винта (10).

Примечание. Доступны различные типы креплений для настенных направляющих и конфигураций хранения. Дополнительную информацию см. на нашем веб-сайте по адресу www.stanley.eu/3.

Установка и снятие насадок и коронок (Рис. G, H)

Для простоты замены насадок, данный инструмент оснащен быстрозажимным патроном.

Осторожно! Убедитесь, что инструмент заблокирован, чтобы предотвратить срабатывание выключателя при снятии или установке насадок.

- ◆ Заблокируйте инструмент, переместив переключатель направления вращения (2) в центральное положение.
- ◆ Вставьте хвостовик насадки/коронку в патрон (4) (рис. G).

Примечание! Чтобы извлечь насадку/коронку, потяните за фиксатор патрона (3) в направлении от передней части инструмента (рис. H).

Осторожно! Используйте только коронки, предназначенные для работы с ударной нагрузкой. Коронки, не предназначенные для работы с ударной нагрузкой, могут сломаться, что приведет к опасной ситуации. Проверьте коронку перед использованием и убедитесь в отсутствии трещин. Используйте только дополнительные принадлежности, предназначенные для работы с ударной нагрузкой.

Переключатель скорости (рис. I)

Данный инструмент оборудован переключателем скорости (5), который позволяет выбрать один из трех режимов. Выберите скоростной режим, соответствующий выполняемой операции, и регулируйте скорость при помощи куркового пускового выключателя с регулировкой скорости (1).

Эксплуатация

Осторожно! Инструмент должен работать в обычном режиме. Не подвергайте инструмент повышенным нагрузкам.

Выбор направления вращения (рис. J)

Для затяжки используйте вращение вперед (по часовой стрелке). Для ослабления используйте обратное вращение (против часовой стрелки).

- ◆ Чтобы выбрать вращение по часовой стрелке, передвиньте переключатель направления вращения (2) влево.
- ◆ Чтобы выбрать вращение против часовой стрелки, передвиньте переключатель направления вращения вправо.
- ◆ Чтобы заблокировать инструмент, установите реверсивный ползунковый переключатель в центральное положение.

Заворачивание саморезов/затяжка гаек

- ◆ Выберите подходящую насадку/коронку для затягиваемого винта или гайки.
- ◆ Выберите направление вращения, как описано выше.
- ◆ Удерживайте инструмент в одной плоскости с

крепёжным элементом.

- ◆ Нажмите на курковый пусковой выключатель (1)
- ◆ По завершении затяжки, проверьте крутящий момент с помощью динамометрического ключа.

Светодиодная подсветка

Рабочая подсветка состоит из трех элементов (6) вокруг фиксатора патрона (3). Подсветка включается автоматически при нажатии на курковый пусковой выключатель. При отпуске куркового пускового выключателя подсветка будет продолжать гореть еще 20 секунд.

Примечание. Подсветка предназначена для освещения рабочей поверхности и не может использоваться в качестве фонаря.

Советы по оптимальному использованию

Заворачивание

- ◆ Всегда используйте отверточные насадки нужного типа и размера.
- ◆ Если винты закручиваются с трудом, попробуйте нанести небольшое количество жидкого моющего средства или мыла в качестве смазки.
- ◆ Всегда держите инструмент и наконечник отвертки на одной линии с винтом.

Техническое обслуживание

Инструмент STANLEY FATMAX имеет длительный срок эксплуатации и требует минимальных затрат на техобслуживание. Продолжительность безотказной работы зависит от правильного ухода за инструментом и его регулярной чистки.

Зарядное устройство не требует никакого обслуживания кроме регулярной очистки.

Осторожно! Перед выполнением любых работ по обслуживанию инструмента извлекайте из него аккумуляторную батарею. Перед чисткой зарядного устройства отключите его от источника питания.

- ◆ Регулярно очищайте вентиляционные отверстия и зарядное устройство мягкой щеткой или сухой тканевой салфеткой.
- ◆ Регулярно очищайте корпус двигателя влажной салфеткой. Не используйте никакие абразивные чистящие средства или средства на основе растворителей.
- ◆ Регулярно открывайте патрон и очищайте его от грязи внутри простукиванием.

Защита окружающей среды



Раздельная утилизация. Изделия и аккумуляторные батареи с данным символом на маркировке запрещается утилизировать с обычными бытовыми отходами.

Изделия и аккумуляторные батареи содержат материалы, которые могут быть извлечены или переработаны, снижая потребность в исходном сырье.

Пожалуйста, утилизируйте электрические изделия и аккумуляторные батареи в соответствии с местными нормами. Дополнительная информация доступна по адресу www.2helpU.com

Технические характеристики

		SFMCFB20
Напряжение	V _{пост. тока}	18 В
Скорость без нагрузки	Мин ⁻¹	0–1300/2600/2900
Число импульсов	уд./мин.	0–3800
Макс. крутящий момент (Метод РТ1)	Нм	190
Диаметр патрона	мм	6,35 (шестигранный)
Вес	кг	0,9 (без батареи)

Зарядное устройство		SFMCB11	SFMCB12	SFMCB14
Входное напряжение	V _{перем. тока}	230	230	230
Выходное напряжение	V _{пост. тока}	18	18	18
Ток	А	1,25	2	4

Аккумуляторная батарея		SFMCB201	SFMCB202	SFMCB204	SFMCB206
Напряжение	V _{пост. тока}	18	18	18	18
Емкость	А ч	1,5	2,0	4,0	6,0
Тип		Ионно-литиевая	Ионно-литиевая	Ионно-литиевая	Ионно-литиевая

Уровень звукового давления согласно EN62841:Звуковое давление (L_{pA}) 85,5 дБ(А), погрешность (К) 3 дБ(А)Акустическая мощность (L_{WA}) 96,5 дБ(А), погрешность (К) 3 дБ(А)**Сумма величин вибрации (сумма векторов по трем осям), измеренных в соответствии со стандартом EN62841:**Сверление в металле (a_{nD}) 8,4 м/с², погрешность (К) 1,5 м/с²**Заявление о соответствии нормам ЕС**

ДИРЕКТИВА ПО МЕХАНИЧЕСКОМУ ОБОРУДОВАНИЮ



Аккумуляторный ударный винтоверт – SFMCF820

STANLEY Europe заявляет, что описанная продукция соответствует EN62841-1:2015, EN62841-2-2:2014.

Эти изделия также соответствуют Директивам 2006/42/EC, 2014/30/EU и 2011/65/EU. За дополнительной информацией обращайтесь в STANLEY Europe по адресу, указанному ниже или приведенному на задней стороне обложки руководства.

За дополнительной информацией обращайтесь в STANLEY FATMAX по адресу, указанному ниже или приведенному на задней стороне обложки руководства.

Нижеподписавшийся несет ответственность за составление технической документации и составил данную декларацию по поручению компании STANLEY FATMAX.

А. П. Смит (A. P. Smith)

Технический директор инженерного отдела
STANLEY FATMAX Europe, Egide Walschaertsstraat14-18,
2800 Mechelen, Belgium
27.09.2019

соответствовать положениям и условиям STANLEY FATMAX, кроме того, вам потребуется предъявить продавцу или авторизованному специалисту по ремонту подтверждение покупки. Положения и условия гарантии STANLEY FATMAX на 1 год и местонахождение ближайшего авторизованного специалиста по ремонту можно узнать через Интернет по адресу www.2helpU.com, или связавшись с местным представительством STANLEY FATMAX по адресу, указанному в данном руководстве. Посетите наш веб-сайт www.stanley.eu/3, чтобы зарегистрировать свое новое изделие STANLEY FATMAX и получать информацию о новинках и специальных предложениях.

Гарантия

STANLEY FATMAX с уверенностью в качестве своей продукции предлагает клиентам гарантию на 12 месяцев с момента покупки. Данная гарантия является дополнительной и ни в коей мере не направлена на ущемление ваших юридических прав. Гарантия действует на территории стран-участниц Европейского союза и в Европейской зоне свободной торговли.

Чтобы подать заявку по гарантии, заявка должна



Приложение к руководству по эксплуатации электрооборудования для определения месяца производства по номеру текущей календарной недели года

Электрооборудование торговых марок "Dewalt", "Stanley", "Stanley FatMAX", "BLACK+DECKER".

Директивы 2014/30/EU ЕВРОПЕЙСКОГО ПАРЛАМЕНТА И СОВЕТА от 26 февраля 2014 г. "О гармонизации законодательства Государств-членов ЕС в области электромагнитной совместимости", 2006/42/ЕС ЕВРОПЕЙСКОГО ПАРЛАМЕНТА И СОВЕТА от 17 мая 2006 г. "О машинах и оборудовании", 2014/35/EU ЕВРОПЕЙСКОГО ПАРЛАМЕНТА И СОВЕТА от 26 февраля 2014 г. "О гармонизации законодательства государств-членов в области размещения на рынке электрооборудования, предназначенного для использования в определенных пределах напряжения". Серийный выпуск.

ТОВАР СЕРТИФИЦИРОВАН

Орган по сертификации "РОСТЕСТ-Москва". Адрес: 119049, г. Москва, улица Житная, д. 14, стр. 1; 117418, Москва, Нахимовский просп., 31 (фактический). Телефон: (499) 1292311, (495) 6682893, Факс: (495) 6682893, E-mail: office@rostest.ru

Изготовитель: Изготовитель: Блэк энд Деккер Холдингс ГмбХ, Германия, 65510, Идштайн, ул. Блэк энд Деккер, 40, тел. +496126212790.

Уполномоченно изготовителем юр.лицо:

ООО "Станли Блэк энд Деккер", 117485, город Москва, улица Обручева, дом 30/1, строение 2
Телефон: +7 (495) 258-3981, факс: +7 (495) 258-3984, E-mail: inbxx@dewalt.com
Сведения о импортере указаны в сопроводительной документации и/или на упаковке

Хранение.

Необходимо хранить в сухом месте, вдали от источников повышенных температур и воздействия солнечных лучей. При хранении необходимо избегать резкого перепада температур. Хранение без упаковки не допускается

Срок службы.

Срок службы изделия составляет 5 лет. Не рекомендуется к эксплуатации по истечении 5 лет хранения с даты изготовления без предварительной проверки.

Дата изготовления (код даты) указана на корпусе инструмента.

Код даты, который также включает год изготовления, оштампован на поверхности корпуса изделия.

Пример:

2014 46 XX, где 2014 –год изготовления, 46-неделя изготовления.

Определить месяц изготовления по указанной неделе изготовления можно согласно приведенной ниже таблице.

Транспортировка.

Категорически не допускается падение и любые механические воздействия на упаковку при транспортировке. При разгрузке/погрузке не допускается использование любого вида техники, работающей по принципу зажима упаковки.

Перечень критических отказов, возможные ошибочные действия персонала.

Не допускается эксплуатация изделия:

- При появлении дыма из корпуса изделия
- При поврежденном и/или оголенном сетевом кабеле
- при повреждении корпуса изделия, защитного кожуха, рукоятки
- при попадании жидкости в корпус
- при возникновении сильной вибрации
- при возникновении сильного искрения внутри корпуса

Критерии предельных состояний.

- При поврежденном и/или оголенном сетевом кабеле
- при повреждении корпуса изделия

Месяц	Январь	Февраль	Март	Апрель	Май	Июнь	Июль	Август	Сентябрь	Октябрь	Ноябрь	Декабрь	Год производства
Неделя	1	5	9	14	18	23	27	31	36	40	44	49	2018
	2	6	10	15	19	24	28	32	37	41	45	50	
	3	7	11	16	20	25	29	33	38	42	46	51	
	4	8	12	17	21	26	30	34	39	43	47	52	
Неделя			13		22			35			48		2019
	1	6	10	14	18	23	27	31	36	40	45	49	
	2	7	11	15	19	24	28	32	37	41	46	50	
	3	8	12	16	20	25	29	33	38	42	47	51	
	4	9	13	17	21	26	30	34	39	43	48	52	
Неделя					22			35		44			2020
	1	6	10	14	19	23	27	32	36	40	45	49	
	2	7	11	15	20	24	28	33	37	41	46	50	
	3	8	12	16	21	25	29	34	38	42	47	51	
	4	9	13	17	22	26	30	35	39	43	48	52	
Неделя				18			31			44			2021
	2	6	10	14	19	23	27	32	36	41	45	49	
	3	7	11	15	20	24	28	33	37	42	46	50	
	4	8	12	16	21	25	29	34	38	43	47	51	
	5	9	13	17	22	26	30	35	39	44	48	52	
Неделя				18			31			40		1	2022
	2	6	10	15	19	23	28	32	36	41	45	49	
	3	7	11	16	20	24	29	33	37	42	46	50	
	4	8	12	17	21	25	30	34	38	43	47	51	
	5	9	13	18	22	26	31	35	39	44	48	52	
		14			27			40			1		



ГАРАНТИЙНЫЕ УСЛОВИЯ

Уважаемый покупатель!

1. Поздравляем Вас с покупкой высококачественного изделия STANLEY FATMAX и выражаем признательность за Ваш выбор.
2. При покупке изделия требуйте проверки его комплектности и исправности в Вашей присутствии. В комплекте с инструментом должна быть инструкция по эксплуатации и гарантийные условия производителя на русском языке. Сохраняйте на весь срок гарантии Ваш документ, удостоверяющий факт покупки изделия. Убедитесь, что в чеке указаны: фискальный номер чека, модель/наименование изделия, дата продажи и название торговой организации. z
3. Во избежание недоразумений убедительно просим Вас перед началом работы с изделием внимательно ознакомиться с инструкцией по его эксплуатации. Правовой основой настоящих гарантийных условий является действующее Законодательство. Гарантийный срок на данное изделие составляет 12 месяцев* и исчисляется со дня продажи. В случае устранения недостатков изделия гарантийный срок продлевается на период его нахождения в ремонте. Срок службы изделия составляет 5 лет со дня продажи.
4. В случае возникновения каких-либо проблем в процессе эксплуатации изделия рекомендуем Вам обращаться только в уполномоченные сервисные центры STANLEY FATMAX, адреса и телефоны которых Вы сможете найти на сайте www.2helpU.com или узнать в магазине. Наши сервисные станции это не только квалифицированный ремонт, но и широкий ассортимент запчастей и принадлежностей.
5. Производитель рекомендует проводить периодическую проверку и техническое обслуживание изделия в уполномоченных сервисных центрах.
6. Наши гарантийные обязательства распространяются только на неисправности, выявленные в течение гарантийного срока и вызванные дефектами материалов или сборки изделия.
7. **Гарантийные условия не распространяются на неисправности изделия, возникшие в результате:**
 - 7.1. Несоблюдения пользователем предписаний инструкции по эксплуатации изделия, применения изделия не по назначению, неправильного хранения, использования принадлежностей, расходных материалов и запчастей, не предусмотренных производителем.
 - 7.2. Механического повреждения (сколы, трещины и разрушения) внутренних и внешних деталей изделия, основных и вспомогательных рукояток, сетевого электрического кабеля, вызванного внешним ударным или любым иным воздействием.
 - 7.3. Попадания в вентиляционные отверстия и проникновение внутрь



ОБЯЗАТЕЛЬНО СОХРАНИТЕ КАССОВЫЙ ЧЕК

- изделия посторонних предметов, материалов или веществ, не являющихся отходами, сопровождающим применение изделия по назначению, таким как: стружка, опилки, песок, и пр.
- 7.4. Воздействий на изделие неблагоприятных атмосферных и иных внешних факторов, таких как дождь, снег, повышенная влажность, нагрев, агрессивные среды, несоответствие параметров питающей электросети, указанных на инструменте.
 - 7.5. Стихийного бедствия. Повреждение или утрата изделия, связанное с непредвиденными бедствиями, стихийными явлениями, в том числе вследствие действия непреодолимой силы (пожар, молния, потоп и другие природные явления), а также вследствие перепадов напряжения в электросети и другими причинами, которые находятся вне контроля производителя.
- 8. Гарантийные условия не распространяются:**
- 8.1. На инструменты, подвергавшиеся вскрытию, ремонту или модификации вне уполномоченного сервисного центра.
 - 8.2. На детали и узлы, имеющие следы естественного износа, такие как: приводные ремни и колеса, угловые шетки, смазка, подшипники, зубчатое зацепление редукторов, резиновые уплотнители, сальники, направляющие ролики, муфты сцепления, бойки, толкатели, стволы, и т.п.
 - 8.3. На сменные и расходные части: цанги, зажимные гайки и фланцы, фильтры, ножи, шлифовальные подошвы, цепи, звездочки, пыльные шины, защитные кожухи, пилки, абразивы, пыльные и абразивные диски, фрезы, сверла, буры и т.п.
 - 8.4. На неисправности, возникшие в результате перегрузки инструмента (как механической, так и электрической), повлекшей выход из строя одновременно двух и более деталей и узлов, таких как ротора и статора, обмоток статора, ведомой и ведущей шестерни редуктора или других узлов и деталей. К безусловным признакам перегрузки изделия относятся, помимо прочих: появление цветов побежалости, деформация или оплавление деталей и узлов изделия, потемнение или обугливание изоляции проводов электродвигателя под воздействием высокой температуры.

* Зарегистрируйте ваш новый электроинструмент STANLEY FATMAX чтобы получить 3 года гарантии.

- требуется регистрация продукта в течение 4-х недель со дня покупки;
- для регистрации посетите наш сайт sfm.stanley.ru



Горячая линия

8-800-1000-876

Актуальную информацию об обслуживании в интересующем вас городе вы можете узнать на сайте

service.stanley.ru

- Список авторизованных сервисных центров
- Поиск ближайшего сервисного центра
- Руководство по эксплуатации
- Технические характеристики
- Список деталей и запасных частей
- Схема сборки инструмента

15-04-2021

NA065919

ГАРАНТИЙНОЕ ОБСЛУЖИВАНИЕ

С БЕСПЛАТНОЙ ДОСТАВКОЙ

Теперь вы можете сдать инструмент в сервис, даже если его нет в вашем городе.

Скачать/распечатать инструкцию с сайта

service.stanley.ru



Отметки о проведении сервисного обслуживания

№1	№2	№3	№4
№ заказа	№ заказа	№ заказа	№ заказа
Дата поступления	Дата поступления	Дата поступления	Дата поступления
Дата ремонта	Дата ремонта	Дата ремонта	Дата ремонта
Печать и подпись сервисного центра	Печать и подпись сервисного центра	Печать и подпись сервисного центра	Печать и подпись сервисного центра



ПОДАРОК ЗА ОТЗЫВ*

- 1 Зарегистрируйся на **my.stanley.ru**
- 2 Напиши отзыв о покупке
- 3 Получи подарок на выбор**



*Акция проводится на территории Российской Федерации. Подробные условия акции указаны на **my.stanley.ru**

** Подарок может отличаться от изображенного, актуальный перечень см. на **my.stanley.ru**

Сфера застосування

Ваш ударний гайковерт SFMCF820 виробництва компанії STANLEY FATMAX розроблений для використання в якості викрутки та для налаштування гайок. Цей пристрій призначений для професійного використання, а також для приватних непрофесійних користувачів.

Інструкції з техніки безпеки

Загальні правила безпеки під час експлуатації електричного інструмента



Попередження! Ознайомтеся з усіма попередженнями, інструкціями з техніки безпеки, зображеннями та специфікаціями, які поставляються з цим електричним інструментом. Невиконання наведених нижче попереджень та інструкцій може призвести до ураження електричним струмом, пожежі та/або серйозних травм.

Зберігайте всі попередження та інструкції для подальшого використання. Термін «електричний інструмент» в усіх попередженнях, перерахованих нижче, стосується використовуваних вами інструментів, що працюють від мережі енергоспоживання (з використанням електричного кабелю) або батарей (без кабелю).

1. Безпека робочої зони

- Робоча зона завжди має бути чистою та добре освітленою.** Невпорядковані й темні робочі зони збільшують імовірність нещасного випадку.
- Не використовуйте електричні інструменти у вибухонебезпечній атмосфері, наприклад у присутності займих рідин, газів та пилу.** Електричні інструменти створюють іскри, що можуть запалити пил або випаровування.
- Тримайте дітей та сторонніх подалі під час використання інструмента.** Відвернення уваги може призвести до втрати контролю.

2. Електрична безпека

- Вилка електричного інструмента повинна відповідати розетці. Ніколи жодним чином не змінюйте вилку.**
Не використовуйте адаптери з замкнутими на землю (заземленими) електричними інструментами. Немодифіковані вилки та розетки, що відповідають їм, зменшують ризик ураження електричним струмом.
- Уникайте контакту тіла із заземленими поверхнями, такими як труби, радіатори, плити та**

холодильники. Якщо ваше тіло заземлене, збільшується ризик ураження електричним струмом.

- Не залишайте електричні інструменти під дощем або за умов підвищеної вологості.** Вода, що потрапляє в електричний інструмент, підвищує ризик ураження електричним струмом.
- Не використовуйте кабель живлення не за призначенням. Ніколи не переносьте, не тягніть і не відключайте електричний інструмент від розетки живлення за допомогою шнура. Тримайте шнур подалі від джерел високих температур, мастила, гострих предметів і рухомих деталей.** Пошкоджені або перекручені шнури підвищують ризик ураження електричним струмом.
- Під час експлуатації електричного інструмента на вулиці використовуйте подовжувальний шнур, що призначений для використання поза приміщенням.** Використання шнура, що призначений для застосування поза приміщенням, знижує ризик ураження електричним струмом.
- Якщо неможливо уникнути використання електричного інструмента за умов підвищеної вологості, використовуйте джерело живлення, захищене пристроєм з керуванням диференційним струмом (RCD).** Використання RCD знижує ризик ураження електричним струмом.

3. Особиста безпека

- Будьте в стані готовності, дивіться, що ви робите, та будьте розсудливі, працюючи з електричним інструментом.**
Не використовуйте електричний інструмент, коли ви втомлені або перебуваєте під впливом наркотичних речовин, алкоголю або ліків. Втрата уваги під час роботи з електричними інструментами може призвести до серйозних травм.
- Використовуйте особисті засоби безпеки. Завжди використовуйте засоби захисту очей.** Використання таких засобів індивідуального захисту, як протипилова маска, протиковзне захисне взуття, захисна каска та засоби захисту органів слуху, у відповідних умовах зменшує ризик виникнення травм.
- Уникайте випадкового запуску. Переконайтесь в тому, що вимикач знаходиться в позиції Вимк. перед підключенням до джерела живлення та/або акумулятора, переміщенням або перенесенням пристрою.** Якщо ви переносите інструмент, тримаючи палець на перемикачі, або підключаєте живлення з перемикачем в позиції Увімк., це може призвести до нещасного випадку.
- Зніміть всі налаштовувальні ключі або гайкові ключі перед вмиканням електричного інструмента.**
Гайковий ключ, що залишився прикріпленим до якоїсь

деталі електричного пристрою, що обертається, може призвести до травм.

- e. **Не намагайтесь дотягнутись і працювати у незручному положенні. Завжди утримуйте правильну постановку ніг і рівновагу.** Це дає вам змогу краще контролювати інструмент у неочікуваних ситуаціях.
 - f. **Вдягайте відповідний одяг. Не вдягайте вільний одяг або прикраси.** Тримайте ваше волосся та одяг подалі від рухомих деталей. Вільний одяг, прикраси або довге волосся можуть зачепитися за рухомі деталі.
 - g. **Якщо передбачені пристрої для підключення до засобів виділення та збирання пилу, переконайтеся, що вони правильно підключені та використовуються.** Використання таких пристроїв зменшує ризик виникнення небезпечних ситуацій, що пов'язані з потраплянням пилу.
 - h. **Навіть якщо ви добре знаєте інструмент та часто його використовуєте, не розслабляйтесь і не забувайте про принципи техніки безпеки.** Необережні дії за долю секунди можуть стати причиною важких травм.
4. Використання електричного інструмента та догляд за ним
- a. **Не прикладайте надмірних зусиль під час роботи з інструментом. Використовуйте електричний інструмент, який відповідає завданню, що виконується.**
Правильно обраний інструмент виконає завдання краще та безпечніше за умов, для яких він був розроблений.
 - b. **Не використовуйте інструмент, вмикач якого не вмикає та не вимикає його.** Будь-який електричний інструмент, який не може управлятися вмикачем, є небезпечним і має бути відремонтований.
 - c. **Відключіть вилку від джерела живлення та/або зніміть акумуляторний блок з електричного інструмента перед тим, як робити будь-які налаштування, змінювати додаткове обладнання чи зберігати електричні інструменти.** Ці профілактичні заходи зменшують ризик випадкового запуску електричного інструмента.
 - d. **Зберігайте вимкнені електричні інструменти подалі від дітей та не дозволяйте особам, що не знайомі з електричним інструментом або цими інструкціями, використовувати електричний інструмент.**
Електричні інструменти є небезпечними, якщо вони використовуються некваліфікованими користувачами.
 - e. **Технічне обслуговування електричних інструментів та приладдя. Перевіряйте неспіввідповідність, заїдання рухомих деталей, наявність пошкоджених частин та інших факторів,**

які можуть впливати на роботу електричного інструмента. Якщо є пошкодження, відремонтуйте електричний інструмент перед використанням. Нещасні випадки часто є результатом того, що інструмент не пройшов відповідного технічного обслуговування.

- f. **Тримайте ріжучі інструменти гострими та чистими.** Правильно доглянуті різальні інструменти з гострими різальними кромками мають меншу імовірність заїдання, і ними легше керувати.
 - g. **Використовуйте електричний інструмент, приладдя, деталі інструменту тощо відповідно до цих інструкцій і з урахуванням умов використання та роботи, яка має бути виконана.**
Використання електричних інструментів не за призначенням може призвести до виникнення небезпечних ситуацій.
 - h. **Всі ручки та поверхні для тримання інструменту повинні бути сухими та без залишків мастила.**
Слизькі ручки та поверхні для тримання не дають можливості безпечно працювати та контролювати інструмент у неочікуваних ситуаціях.
5. Використання та догляд за інструментом, що працює від акумулятора
- a. **Заряджайте інструмент лише за допомогою зарядного пристрою, що вказаний виробником.**
Зарядний пристрій, що підходить до одного типу акумуляторів, може призвести до пожежі в разі використання з іншим акумулятором.
 - b. **Використовуйте електричні інструменти лише зі спеціально розробленими комплектами батарей.**
Використання інших комплектів батарей може призвести до травм або пожежі.
 - c. **Коли комплект батарей не використовується, зберігайте його подалі від таких металевих предметів, як скріпки, монети, ключі, цвяхи, гвинти або інші невеликі предмети, що можуть призвести до замикання двох контактів.** Зімкнення терміналів акумулятора може призвести до вибуху або пожежі.
 - d. **За невідповідних умов використання рідина може витікати з батареї, уникайте контакту з цією рідиною.** Якщо контакт таки стався, промийте забруднену ділянку водою. Якщо рідина потрапила в очі, промийте водою та зверніться до лікаря. Рідина, що витікає з батареї, може призвести до подразнень та опіків.
 - e. **Не використовуйте акумулятор або інструмент, який пошкоджено або змінено.** Пошкоджені або модифіковані акумулятори можуть поводити себе непередбачуваним чином, призводячи до пожежі, вибуху або тілесним ушкодженням.
 - f. **Не піддавайте акумулятор або інструмент впливу**

вогню або надмірних температур. Вплив вогню або температури вище 130°C може спричинити вибух.

- g. Виконуйте всі інструкції щодо зарядки та не заряджайте акумулятор або інструмент за межами температурного діапазону, вказаного в інструкціях.** Неналежне заряджання або заряджання поза межами вказаного температурного діапазону може пошкодити акумулятор та підвищити ризик пожежі.

6. Обслуговування

- a. Надавайте ваш електричний інструмент для обслуговування кваліфікованим спеціалістом з ремонту та використовуйте тільки ідентичні замінні деталі. Це забезпечить безпеку електричного пристрою.
- b. Ніколи не ремонтуйте пошкоджені акумуляторні батареї. Обслуговування АКУМУЛЯТОРІВ мають виконувати представники виробника або працівники офіційного сервісного центру.

1) Інструкції з техніки безпеки при виконанні будь-яких робіт

- a) Утримуйте електроінструмент за ізольовані захоплюючі поверхні під час виконання операції, коли кріпильний елемент може контактувати з прихованою проводкою або власним шнуром. Контакт кріпильних елементів з дротом під напругою може призвести до появи напруги в інструменті та ураження оператора електричним струмом.

Додаткові правила безпеки для електричного інструмента

- ◆ Використовуйте затискачі або інший спосіб закріплення деталей, що оброблюється, на стабільній платформі. Утримування заготовки в руці та притискання її до тіла робить її нестабільною та може призвести до втрати контролю.
- ◆ Перед використанням гайковерту для закручування в стіни, підлогу та стелю переконайтесь, що в цьому місці не розташована проводка та труби.
- ◆ Використання за призначенням описане в цьому керівництві з використання.
- ◆ Використання аксесуарів або приладдя, виконання будь-яких дій з інструментом, що суперечать рекомендаціям цієї інструкції, може становити небезпеку травмування людини та/або пошкодження.

Безпека для оточення

- ◆ Цей інструмент не призначений для використання особами (включаючи дітей) із зниженими фізичними, сенсорними або розумовими можливостями або

особами, яким бракує досвіду або знань за винятком випадків, коли такі особи працюють під наглядом або отримали інструкції щодо використання пристрою від особи, яка несе відповідальність за їх безпеку.

- ◆ Уважно слідкуйте за тим, щоб діти не гралися з пристроєм.

Залишкові ризики

Під час використання інструменту можуть виникнути додаткові залишкові ризики, що можуть не охоплюватися переліченими правилами безпеки. Ці ризики можуть виникнути як результат неправильного використання, тривалого використання тощо.

Незважаючи на виконання всіх відповідних правил техніки безпеки та використання захисних пристроїв, неможливо уникнути деяких залишкових ризиків. Сюди належать:

- ◆ Травми через контакт із деталями, що рухаються/обертаються.
- ◆ Травми під час заміни деталей, пильних полотен або аксесуарів.
- ◆ Травми через занадто тривале використання інструмента. Під час використання будь-якого інструмента протягом тривалого періоду часу не забувайте робити регулярні перерви.
- ◆ Порушення слуху.
- ◆ Небезпека для здоров'я через вдихання пилу, що утворюється під час використання інструмента (наприклад, при роботі з деревом, особливо з дубом, буком та ДВП)

Вібрація

Значення вібрації, вказані в технічних даних та в декларації про відповідність, були виміряні з дотриманням стандартних методів тестування, наданих у EN62841, та можуть використовуватися для порівняння одного інструменту з іншим. Задекларовані значення вібрації можна також використовувати для попереднього оцінювання впливу вібрації.

Попередження! Значення вібрації, зафіксоване під час фактичного використання електроінструмента, може відрізнятись від заявленого значення вібрації, зважаючи на способи використання інструмента. Рівень вібрації може перевищувати вказані значення.

Оцінюючи вплив вібрації для визначення заходів безпеки за вимогами 2002/44/EC, щоб захистити людей, які регулярно використовують інструменти в роботі, необхідно враховувати реальні умови та способи використання інструмента, у тому числі всі періоди робочого циклу, наприклад час, коли інструмент вимкнено та коли він працює в режимі холостого ходу, а також час, потрібний для запуску інструмента.

Маркування на інструменті

На інструменті нанесено подані нижче позначки й код дати.



Попередження! Щоб зменшити ризик травм, користувач повинен прочитати посібник з експлуатації.

Додаткові інструкції з техніки безпеки для акумуляторів та зарядних пристроїв (не надаються з інструментом)

Акумулятори

- ◆ Ніколи не намагайтесь відкривати батарею.
- ◆ Не занурюйте батарею у воду.
- ◆ Не зберігайте у місцях, де температура може перевищувати 40 °C.
- ◆ Заряджайте лише за температури навколишнього середовища між 10 °C та 40 °C.
- ◆ Заряджайте лише за допомогою зарядного пристрою, що надається з інструментом.
- ◆ При утилізації батарей дотримуйтесь інструкцій, наведених у розділі «Захист навколишнього середовища».

Зарядні пристрої

- ◆ Використовуйте зарядний пристрій STANLEY FATMAX для зарядки батарей лише того інструмента, з яким він був у комплекті. Інші акумуляторні батареї можуть вибухнути, спричинивши травми та пошкодження.
- ◆ Ніколи не намагайтесь заряджати батареї, що не підлягають зарядці.
- ◆ Негайно замінійте пошкоджений дріт живлення.
- ◆ Уникайте контакту зарядного пристрою з водою.
- ◆ Не відкривайте корпус зарядного пристрою.
- ◆ Не розбирайте зарядний пристрій.



Зарядний пристрій призначений лише для використання в приміщенні.



Прочитайте інструкції цього посібника перед використанням.



Не заряджайте пошкоджені акумуляторні батареї.

Електрична безпека



Зарядний пристрій має подвійну ізоляцію, тому заземлення непотрібне. Завжди перевіряйте відповідність джерела живлення напрузі, що вказана на таблиці з паспортними даними. Ніколи не намагайтесь замінити зарядний пристрій звичайним мережним штепселем.

- ◆ Якщо силовий кабель пошкоджений, його необхідно замінити у виробника або в офіційному сервісному центрі STANLEY FATMAX для уникнення небезпеки.

Попередження! Ніколи не намагайтесь замінити зарядний пристрій звичайним мережним штепселем.

Заміна мережевої вилки (тільки для Великої Британії та Ірландії)

Якщо потрібно встановити нову вилку:

- ◆ Змініть стару вилку та утилізуйте її, дотримуючись правил техніки безпеки.
- ◆ Приєднайте коричневий провідник до активного виходу нової вилки.
- ◆ Приєднайте блакитний провідник до нейтрального виходу.

Попередження! Жоден провід не повинен бути підключений до клеми заземлення. Дотримуйтесь інструкцій щодо встановлення, які постачаються з якісними вилками. Рекомендований плавкий запобіжник: 5 А.

Компоненти

Цей пристрій має всі або деякі з нижче перерахованих компонентів.

1. Пусковий перемикач
2. Кнопка вперед/назад
3. Муфта затискного патрона
4. Швидкорознімний патрон 6,35 мм
5. Перемикач швидкостей
6. Світлодіодні індикатори роботи (x3)
7. Акумулятор

Монтаж

Попередження! Перед збиранням інструменту витягніть з нього батарею.

Встановлення батареї (рис. А)

Необхідно зарядити акумуляторну батарею перед першим використанням, а також коли потужності недостатньо для виконання завдань, які легко виконувались раніше. Батарея може стати теплою під час заряджання: це нормально й не є показником проблеми.

Увага! Не заряджайте батарею за температури навколишнього середовища нижче 10 °C або вище 40 °C. Рекомендована температура заряджання: приблизно 24 °C.

Примітка. Зарядний пристрій не заряджає батарею, якщо її температура нижче приблизно 10 °C або вище 40 °C.

Батарею потрібно залишити у зарядному пристрої, який автоматично почне її заряджати, коли температура батареї підніметься або зменшиться.

Примітка. щоб забезпечити максимальну продуктивність

та тривалість роботи літій-іонного акумулятора, повністю зарядіть його перед першим використанням.

- ◆ Підключіть зарядний пристрій (8) до відповідної розетки перед встановленням акумулятора (7).
- ◆ Зелений індикатор зарядки (8a) буде блимати постійно, вказуючи на те, що процес зарядки розпочався.
- ◆ Після завершення зарядки зелений індикатор зарядки (8a) залишається постійно включеним. Це означає, що акумулятор (7) повністю заряджений і може бути вийнятий та використовуватися одразу або залишатися в зарядному (8) пристрої.
- ◆ Не тримайте батареї розрядженими більше 1 тижня. Термін служби батареї значно зменшується, якщо вона зберігається у незарядженому стані.

Режими світлодіода зарядного пристрою

	Заряджається: Зелений світлодіод блимає	
	Повністю заряджений: Зелений світлодіод постійно горить	
	Затримка через надмірно високу/низьку температуру батареї: Зелений світлодіод блимає Червоний світлодіод постійно горить	

Примітка. Сумісний зарядний пристрій (пристрої) не буде заряджати несправний акумулятор. Зарядний пристрій розпізнає несправну акумуляторну батарею та не вмикатиме світловий індикатор.

Примітка. Це також може свідчити про проблему із зарядним пристроєм. Якщо виявлено проблему із зарядним пристроєм, віднесите зарядний пристрій та акумулятор для перевірки в авторизований сервісний центр.

Залишення батареї в зарядному пристрої

Батареї можна залишити в зарядному пристрої на необмежений час з індикатором, який працює. Зарядний пристрій буде підтримувати акумуляторну батарею у повністю зарядженому стані.

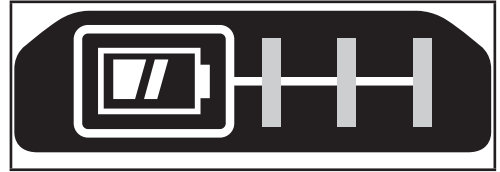
Затримка через надмірно високу/низьку температуру акумулятора

Якщо зарядний пристрій визначає, що батарея є занадто гарячою або занадто холодною, він автоматично вмикає режим температурної затримки, зелений світлодіодний

індикатор (8a) буде періодично блимати, а червоний світлодіодний індикатор (8b) буде постійно горіти, припиняючи процес зарядки, доки батарея не досягне відповідної температури. Зарядний пристрій автоматично перемикається в режим зарядки батареї. Ця функція забезпечує максимальний термін служби батареї.

Індикатор стану заряду акумулятора (рис. В)

Акумулятор містить індикатор стану зарядки для швидкого визначення заряду батареї, як показано на рисунку В. Натиснувши кнопку стану зарядки (7a), можна легко переглянути, скільки заряду залишилося в акумуляторі, як показано на рисунку В.



Встановлення акумулятора в інструмент та його виймання з інструмента

Попередження! Перед встановленням та зніманням акумуляторної батареї переконайтесь, що інструмент заблокований, щоб уникнути його випадкового запуску.

Встановлення акумуляторної батареї (рис. С)

- ◆ Вставте акумулятор в інструмент до упору, щоб почути звук клацання, як показано на рисунку С. Переконайтесь, що акумулятор повністю вставлений і зафіксований в цьому положенні.

Виймання акумуляторної батареї (рис. D)

- ◆ Натисніть кнопку вивільнення батареї (7b), як показано на рисунку D, та витягніть її з пристрою.

Гачок для ремня (додатковий аксесуар) (рис. Е, F)

Попередження! Щоб знизити ризик серйозних травм, встановіть кнопку реверсу (вперед/назад) у положення блокування або вимкніть інструмент та відключіть акумулятор перед виконанням будь-яких налаштувань або зніманням/встановленням насадок або аксесуарів. Випадковий запуск може призвести до тілесних ушкоджень.

Попередження! Для зменшення ризику травматизму використовуйте поясний гак (9) ЛИШЕ для підвішування інструменту на робочому поясі. НЕ використовуйте поясний гак (9) для підвішування або фіксації інструмента, який працює, на тілі людини або іншому предметі. НЕ підвішуйте інструмент догори ногами та не вішайте предмети на поясний гак.

Попередження! Щоб знизити ризик отримання важких

травм, переконайтесь у надійній фіксації гвинта (10), який утримує поясний гачок.

Примітка. Для встановлення або заміни поясного гачка (9) використовуйте лише гвинт (10), який йде в комплекті.

Переконайтесь, що гвинт надійно затягнутий.

Поясний гак (9) можна припасувати у проризи (11) з будь-якої сторони приладу з використанням того гвинта (10), який надається в комплекті для використання правшами та шульгами. Якщо гак непотрібний взагалі, його можна зняти з інструмента.

Щоб переставити поясний гачок (9), викрутіть гвинт (10), який його кріпить, а потім встановіть його з протилежної сторони. Переконайтесь, що гвинт надійно затягнутий (10).

Примітка. Можливі різні конфігурації зберігання і гачка для пересувного підвішування на стіну.

Відвідайте наш сайт www.stanley.eu/3 для подальшої інформації.

Встановлення та знімання викрутки-вставки або патрону (рис. G, H)

Цей інструмент оснащений швидкороз'ємним патроном, що дозволяє легко замінювати насадки.

Попередження! Перед встановленням та зніманням аксесуарів переконайтесь, що інструмент заблокований, щоб уникнути його випадкового запуску.

- ◆ Заблокуйте інструмент, пересуваючи перемикач вперед/назад (2) у центральне положення.
- ◆ Вставте хвостовик насадки (12) в швидкорознімний патрон (4) (рис. G).

Примітка! Щоб виїняти насадку/патрон, відтягніть затискне кільце патрона (3) від передньої частини (рис. H) інструмента.

Попередження! Використовуйте лише патрони для розрахованого ударного інструмента. Використання патронів, не призначених для ударного інструмента, може призвести до поломки насадок та створення небезпечних умов. Перед використанням огляньте патрон і переконайтесь, що на ньому немає тріщин. Використовуйте лише насадки для розрахованого ударного інструмента.

Перемикач швидкостей (рис. I)

Ваш інструмент оснащений кнопкою вибору швидкості (5), що дозволяє обрати одну із трьох швидкостей. Виберіть режим в залежності від застосування та керуйте швидкістю інструмента за допомогою пускового перемикача змінної швидкості (1).

Експлуатація

Попередження! Інструмент має працювати з передбаченою для нього швидкістю. Не перевантажуйте його.

Вибір напрямку обертання (рис. J)

Для затягування використовуйте обертання вперед (за годинниковою стрілкою). Для викручування шурупів використовуйте зворотне (проти годинникової стрілки) обертання.

- ◆ Щоб обрати обертання вперед, змістіть перемикач вперед/назад (2) вліво.
- ◆ Щоб обрати обертання назад, змістіть перемикач вперед/назад вправо.
- ◆ Щоб заблокувати інструмент, переведіть реверсивний перемикач у центральне положення.

Загвинчування/налаштування гайок

- ◆ Виберіть відповідну насадку/патрон для загвинчування гвинта або гайки.
- ◆ Виберіть обертання вперед або назад, як вказано вище.
- ◆ Вирівняйте інструмент в одній лінії з кріпильним елементом.
- ◆ Натисніть перемикач (1)
- ◆ Після затягування перевіряйте крутний момент за допомогою динамометричного гайкового ключа.

Світлодіодне робоче світло

Три лампи підсвічування (6) розташовані біля кільця патрона швидкого від'єднання (3). Лампи підсвічування вмикаються при натисненні на пусковий перемикач. Після відпускання перемикача лампа підсвічування горітиме ще до 20 секунд.

Примітка. Лампи підсвічування призначено лише для підсвічування безпосередньої робочої зони і не мають використовуватися як ліхтарик.

Підказки для оптимального використання

Використання викрутки

- ◆ Завжди використовуйте правильний тип та розмір викрутки-вставки.
- ◆ Якщо гвинти важко затягуються, спробуйте нанести невелику кількість миючої рідини чи мила у якості мастила.
- ◆ Завжди тримайте інструмент та біту-викрутку на одній лінії з гвинтом.

Технічне обслуговування

Ваш пристрій виробництва компанії STANLEY FATMAX призначений для роботи протягом довгого часу з мінімальним обслуговуванням. Тривала задовільна робота інструмента залежить від належного обслуговування інструмента й регулярного його очищення.

Зарядний пристрій не вимагає технічного обслуговування, потрібно лише виконувати регулярне очищення.

Попередження! Перед обслуговуванням інструмента вийміть з нього акумулятор. Витягніть зарядний пристрій з розетки перед очищенням.

- ◆ Регулярно очищуйте вентиляційні отвори інструмента й зарядного пристрою, використовуючи м'яку щітку або суху тканину.
- ◆ Регулярно очищуйте корпус двигуна вологою тканиною. Не використовуйте абразивні очищувачі та засоби, що містять розчинники.
- ◆ Регулярно відкривайте затисний патрон та струшуйте його, щоб видалити пил з середини.

Захист навколишнього середовища



Роздільний збір. Пристрої та акумулятори, позначені цим символом, не можна викидати зі звичайним побутовим сміттям.

Пристрої та акумулятори містять матеріали, які можна відновити й переробити, що зменшить потребу в сировині. Будь ласка, віддавайте електричні інструменти та акумулятори на переробку відповідно до місцевих постанов. Більш детальну інформацію можна отримати на сайті www.2helpU.com

Технічні характеристики

SFMCF820		
Напруга	V _{пост. струму}	18 В
Швидкість без навантаження	об/хв.	0-1300/2600/2900
Удари	уд/хв.	0-3800
Макс. крутний момент (Метод РТІ)	Н·м	190
Найбільший діаметр свердла, що затискається в патроні	мм	6,35 (шестигранний)
Маса	кг	0,9 (без акумулятора)

Зарядний пристрій		SFMCB11	SFMCB12	SFMCB14
Вхідна напруга	V _{змін. струму}	230	230	230
Вихідна напруга	V _{пост. струму}	18	18	18
Струм	А	1,25	2	4

Акумулятор		SFMCB201	SFMCB202	SFMCB204	SFMCB206
Напруга	V _{пост. струму}	18	18	18	18

Акумулятор		SFMCB201	SFMCB202	SFMCB204	SFMCB206
Ємність	Ампер-годин	1,5	2,0	4,0	6,0
Тип		Літій-іонний	Літій-іонний	Літій-іонний	Літій-іонний

Рівень звукового тиску згідно з EN62841:

Звуковий тиск (L_{pA}) 85,5 дБ(А), похибка (К) 3 дБ(А)

Звукова потужність (L_{WA}) 96,5 дБ(А), похибка (К) 3 дБ(А)

Загальні значення вібрації (векторна сума трьох векторів) згідно з EN62841:

Свердління металу (a_{hD}) 8,4 м/с², похибка (К) 1,5 м/с²

Декларація про відповідність нормам ЄС

ДИРЕКТИВА ДЛЯ МЕХАНІЧНОГО ОБЛАДНАННЯ



Акумуляторний ударний гайковерт – SFMCF820

Компанія STANLEY Europe заявляє, що зазначені вироби відповідають стандартам EN62841-1:2015, EN62841-2:2014.

Ці вироби також відповідають Директиві 2006/42/EC, 2014/30/EU і 2011/65/EU. Для отримання додаткової інформації зверніться до компанії STANLEY Europe за наведеною нижче адресою або прочитайте інформацію на зворотному боці цього посібника.

Для отримання додаткової інформації зверніться до компанії STANLEY FATMAX за наведеною нижче адресою або прочитайте інформацію на зворотному боці цього посібника.

Особа, яка підписалася нижче, несе відповідальність за упорядкування файлу технічних характеристик та робить цю заяву від компанії STANLEY FATMAX.

A.P. Smith

Технічний директор
STANLEY FATMAX Europe, Egide Walschaertsstraat14-18,
2800 Mechelen, Belgium
27.09.2019

Гарантія

Компанія STANLEY FATMAX впевнена в якості своєї продукції та пропонує споживачам гарантію тривалістю 12 місяців з дати придбання. Ця гарантія доповнює і жодним чином не обмежує ваші законні права. Ця гарантія є чинною на території країн-членів Європейського Союзу та в європейській зоні вільної торгівлі.

Позив за гарантією повинен відповідати умовам компанії STANLEY FATMAX, при цьому вам необхідно буде надати доказ покупки продавцю або спеціалісту офіційного сервісного центру. Умови гарантії компанії STANLEY FATMAX на 1 рік та місцезнаходження найближчого сервісного центру можна дізнатися в інтернеті на сайті www.2helpU.com або звернутися до місцевого представництва компанії STANLEY FATMAX за адресою, зазначеною у цьому керівництві.

Відвідайте наш сайт www.stanley.eu/3, щоб зареєструвати свій новий продукт STANLEY FATMAX та отримувати інформацію про нові продукти та спеціальні пропозиції.



Виробник:
"Stanley Black & Decker Deutschland
GmbH" Black-&-Decker Str.40, D-65510
Idstein, Німеччина

STANLEY
FATMAX

ГАРАНТІЙНИЙ ТАЛОН

3 РОКИ
ГАРАНТІЇ

- Вітаємо Вас з покупкою високоякісного виробу Stanley FATMAX і висловлюємо вдячність за Ваш вибір.
- При покупці виробу вимагайте перевірки його комплектності і справності у Вашій присутності, інструкцію з експлуатації та заповнений гарантійний талон українською мовою. В гарантійному талоні повинні бути внесені: модель, дата продажу, серійний номер, дата виробництва інструменту, назва, печатка і підпис торгової організації. За відсутності у Вас правильно заповненого гарантійного талону, а також при невідповідності зазначених у ньому даних ми будемо змушені відхилити Ваші претензії щодо якості даного виробу.
- Щоб уникнути непорозуміння, переконливо просимо Вас перед початком роботи з виробом уважно ознайомитися з інструкцією з його експлуатації. Правовою основою справжніх гарантійних умов є чинне Законодавство. Гарантійний термін на даний виріб складає 36 місяці і обчислюється з дня продажу. У разі усунення недоліків виробу, гарантійний строк продовжується на період його перебування в ремонті. Термін служби виробу становить 5 років з дня продажу.
- У разі виникнення будь-яких проблем у процесі експлуатації виробу рекомендуємо Вам звертатися тільки в уповноважені сервісні центри Stanley FATMAX, адреси та телефони яких Ви можете знайти в гарантійному талоні, на сайті www.2helpU.com або дізнатися в магазині. Наші сервісні станції - це не тільки кваліфікований ремонт, але і широкий асортимент запчастин і аксесуарів.
- Виробник рекомендує проводити періодичну перевірку і технічне обслуговування виробу в уповноважених сервісних центрах.
- Наші гарантійні зобов'язання поширюються тільки на несправності, виявлені протягом гарантійного терміну і викликані дефектами виробництва та \ або матеріалів.
- Гарантійні умови не поширюються на несправності виробу, що виникли в результаті:
 - Недотримання користувачем приписів інструкції з експлуатації виробу, застосування виробу не за призначенням, неправильного зберігання, використання приладдя, витратних матеріалів і запчастин, що не передбачені виробником.
 - Механічного пошкодження (відколю, тріщини і руйнування) внутрішніх і зовнішніх деталей виробу, основних і допоміжних рукояток, мережевого кабелю, що викликані зовнішнім ударним або будь-яким іншим впливом
 - Потраплення у вентиляційні отвори та проникнення всередину виробу сторонніх предметів, матеріалів або речовин, що не є відходами, які супроводжують застосування виробу за призначенням, такими як: стружка, тирса, пісок, та ін.
 - Впливу на виріб несприятливих атмосферних і інших зовнішніх факторів, таких як дощ, сніг, підвищена вологість, нагрівання, агресивні середовища, невідповідність параметрів електромережі, що зазначені на інструменті.
 - Стихійного лиха. Пошкодження або втрати виробу, що пов'язані з непередбаченими лихами, стихійними явищами, у тому числі внаслідок дії непереборної сили (пожежа, блискавка, потоп і інші природні явища), а також внаслідок перепадів напруги в електромережі та іншими причинами, які знаходяться поза контролем виробника.
- Гарантійні умови не поширюються:
 - На інструменти, що піддавались розкриттю, ремонту або модифікації поза уповноваженим сервісним центром.
 - На деталі, вузли та матеріали, що мають сліди природного зносу, такі як: приводні ремені і колеса, вугільні щітки, мастило, підшипники, зубчасті зчеплення редукторів, гумові ущільнення, сальники, направляючі ролики, муфти, вимикачі, бойки, штовхачі, стволи тощо.
 - На змінні частини: патрони, цанги, затискні гайки і фланці, фільтри, ножі, шліфувальні підшови, ланцюги, зірочки, пильні шини, захисні кошуки, пилки, абразиви, пильні і абразивні диски, фрези, свердла, бури тощо
 - На несправності, що виникли в результаті перевантаження інструменту (як механічного, так і електричного), що спричинили вихід з ладу одночасно двох і більше деталей і вузлів, таких як: ротора і статора, обох обмоток статора, веденої і ведучої шестерні редуктора або інших вузлів і деталей. До безумовних ознак перевантаження виробу відносяться, крім інших: поява кольорів мінливості, деформація або оплавлення деталей і вузлів виробу, потемніння або обуглювання ізоляції проводів електроприводу під впливом високої температури.

Товар отриманий в справному стані, без видимих ушкоджень, в повній комплектації, перевірений у моїй присутності, претензій щодо якості товару не маю. З умовами гарантійного обслуговування ознайомлений і згоден.

П. І. Б. та підпис власника _____

Шановні клієнти, наша мережа авторизованих сервісних центрів постійно розширюється. Актуальну інформацію про обслуговування в місті, що цікавить вас, ви можете дізнатися на сайті

www.2helpU.com

Редакція ВК/12-12-2018

Інформація про інструмент

Найменування інструменту	
Модель	
Найменування продавця	
Дата продажу	

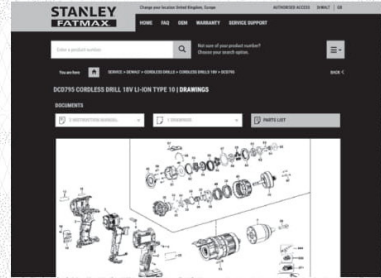
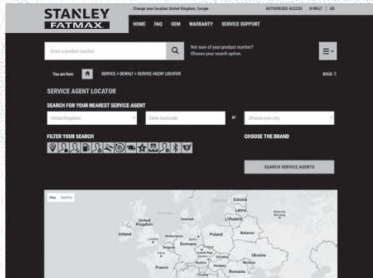
М.П.
Продавця

Серійний номер/Дата виробництва

Інструмент	
Зарядний пристрій	
Акумулятор 1	
Акумулятор 2	

На сайті www.2helpU.com доступні наступні функції:

- Список авторизованих сервісних центрів
- Зручний пошук найближчого сервісного центру
- Керівництво з експлуатації
- Технічні характеристики
- Список деталей і запасних частин
- Схема складання інструменту



Також дану інформацію ви можете отримати, зателефонувавши за номером:
0 (800) 211 521 в Україні

ВІДІТКА ПРО ПРОВЕДЕННЯ СЕРВІСНОГО ОБСЛУГОВУВАННЯ

№1	№2	№3	№4
№ замовлення	№ замовлення	№ замовлення	№ замовлення
Дата прийому	Дата прийому	Дата прийому	Дата прийому
Дата ремонту	Дата ремонту	Дата ремонту	Дата ремонту
Печатка і підпис сервісного центру	Печатка і підпис сервісного центру	Печатка і підпис сервісного центру	Печатка і підпис сервісного центру

