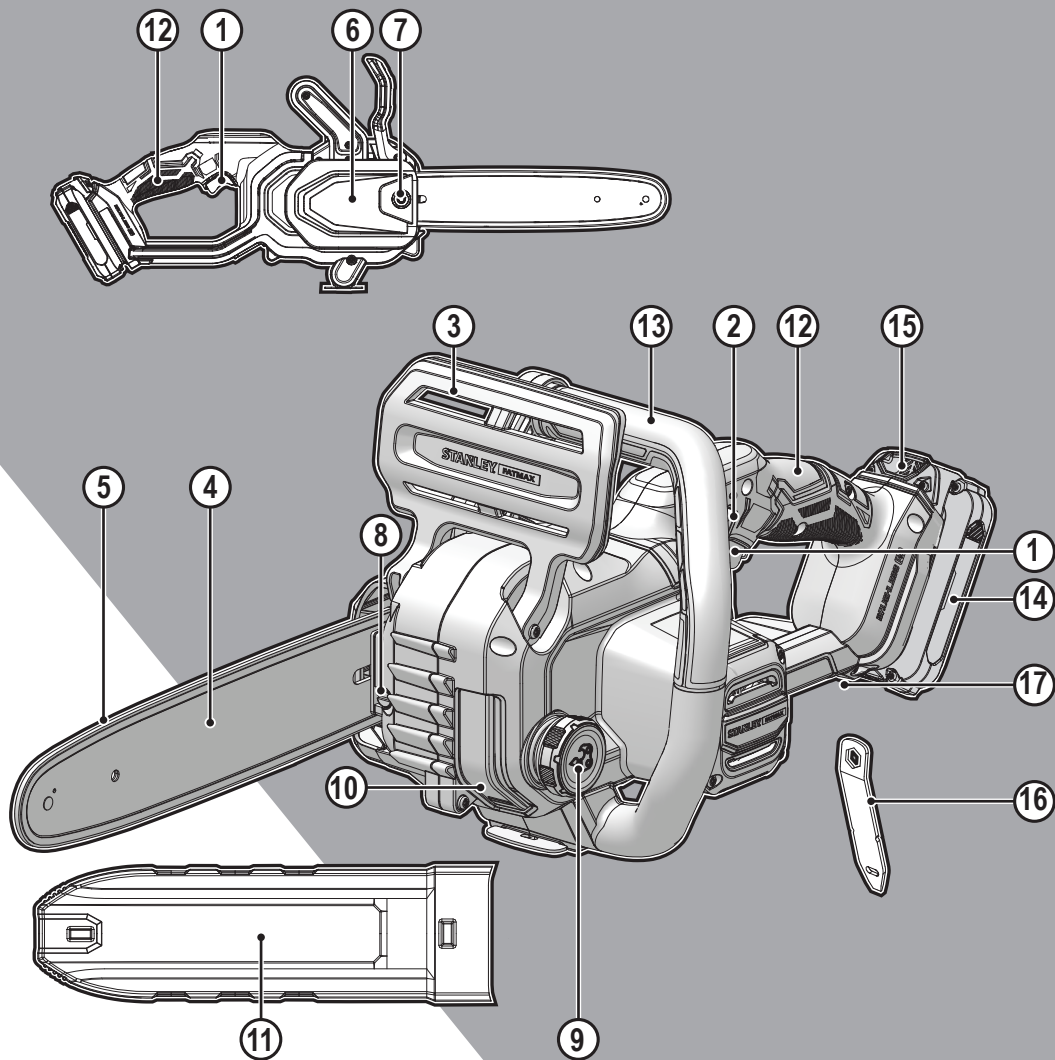


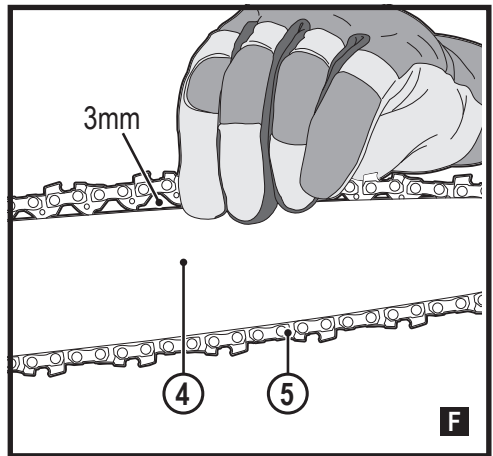
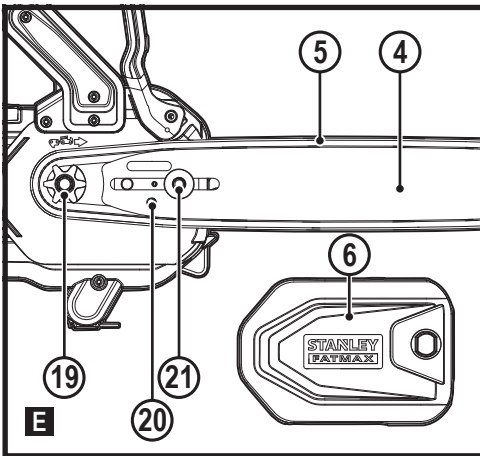
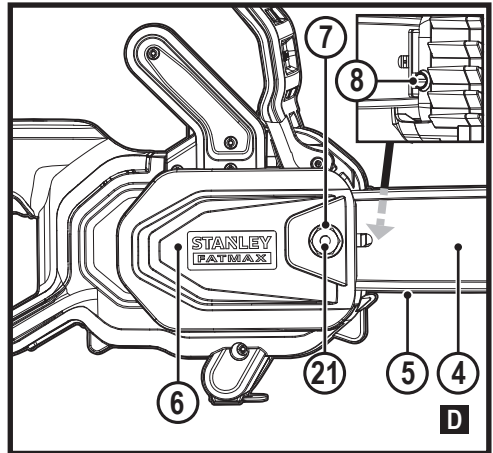
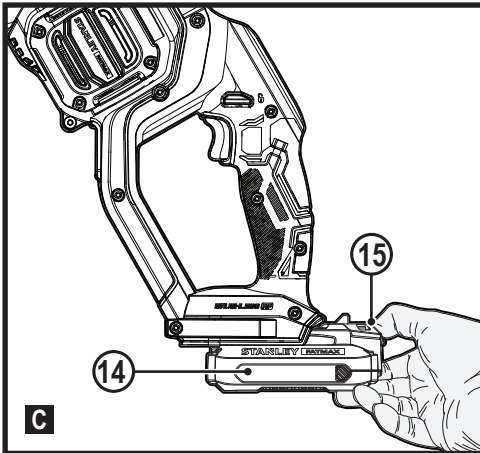
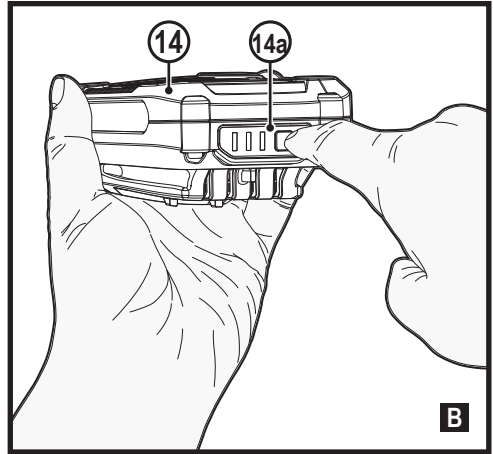
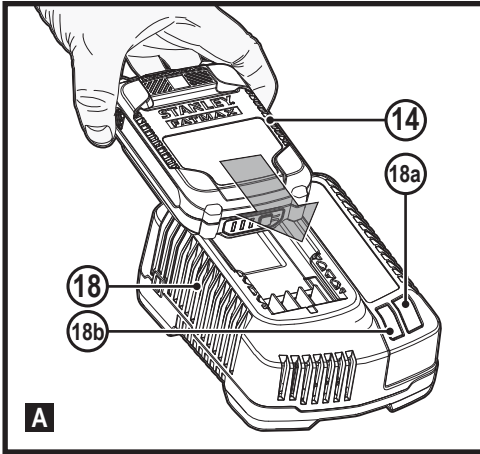
# STANLEY<sup>®</sup> FATMAX<sup>®</sup> V20 LITHIUM ION

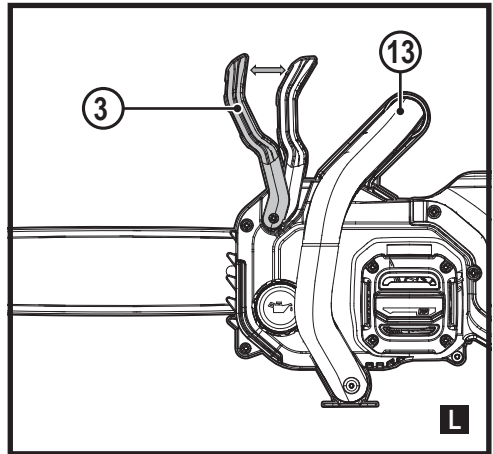
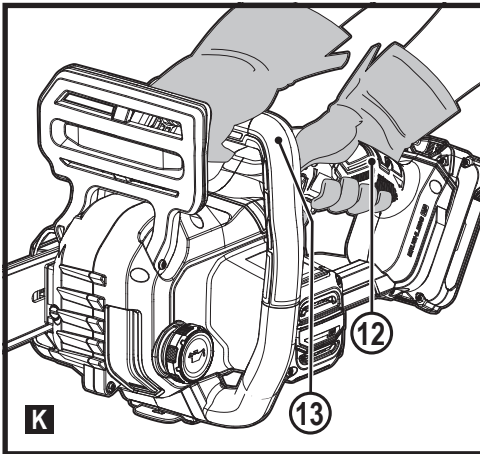
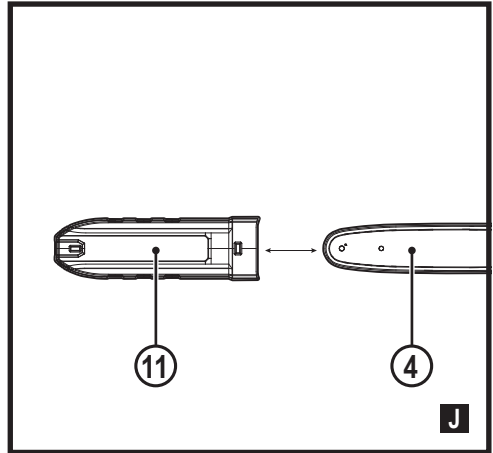
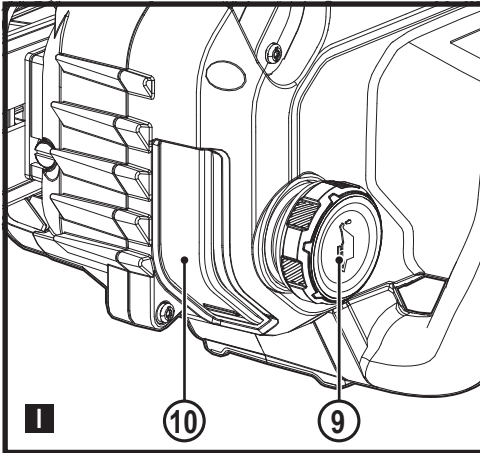
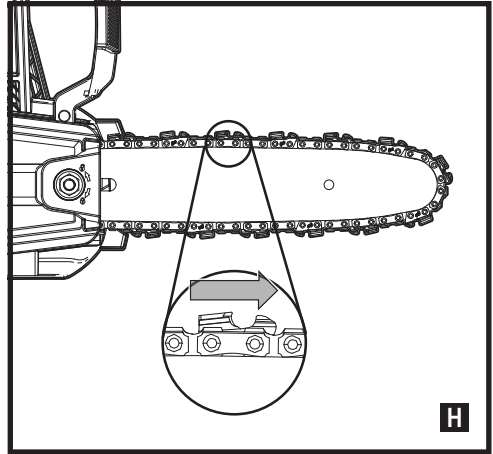
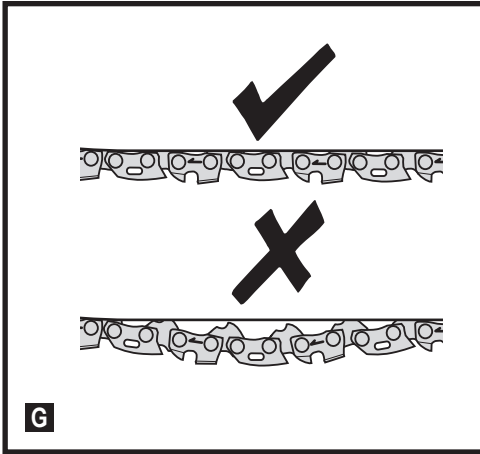


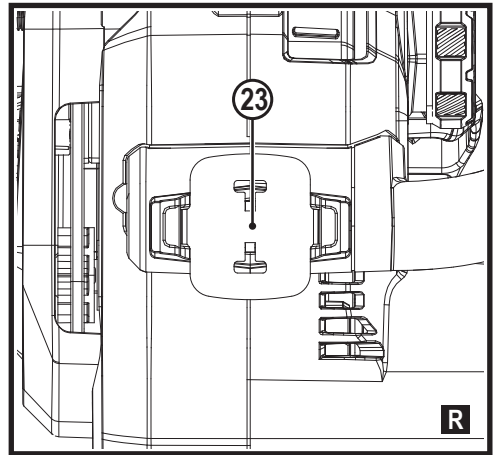
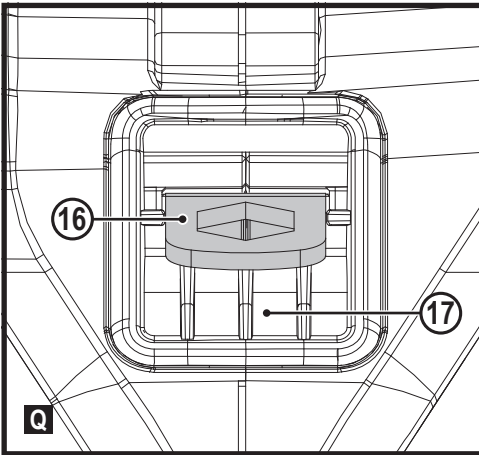
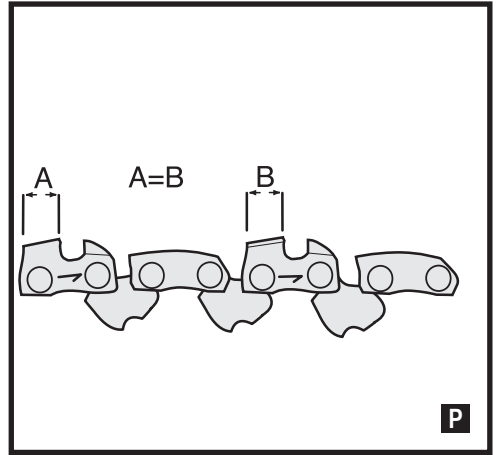
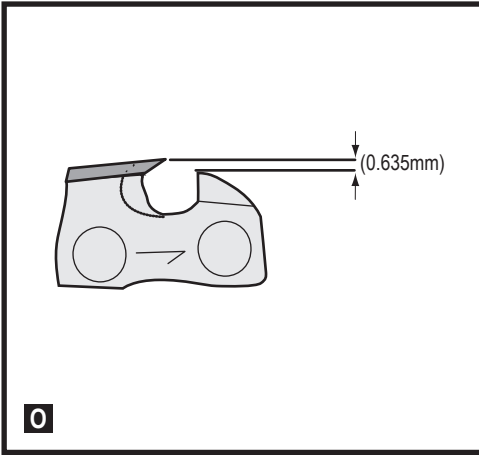
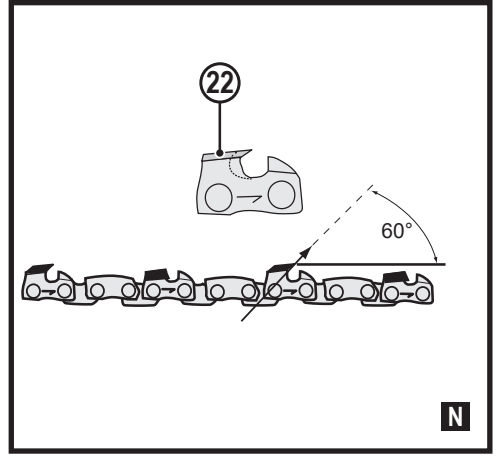
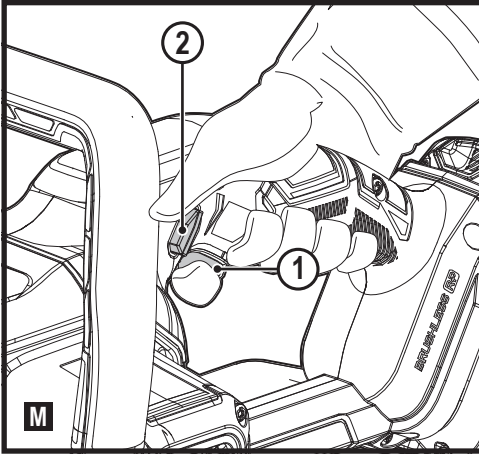
[www.stanley.gb](http://www.stanley.gb)

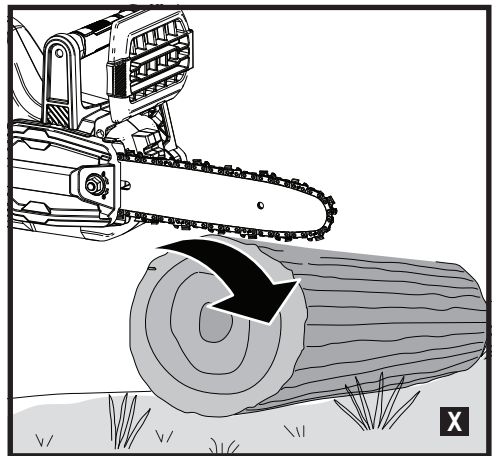
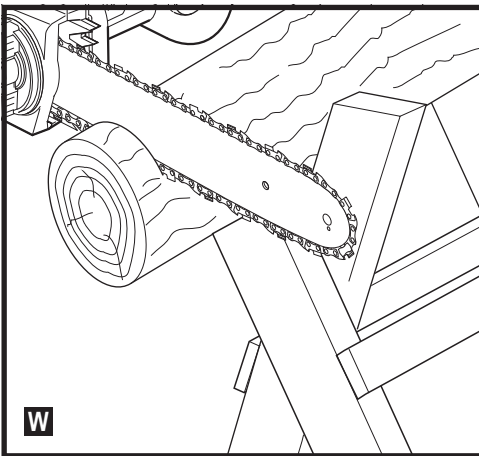
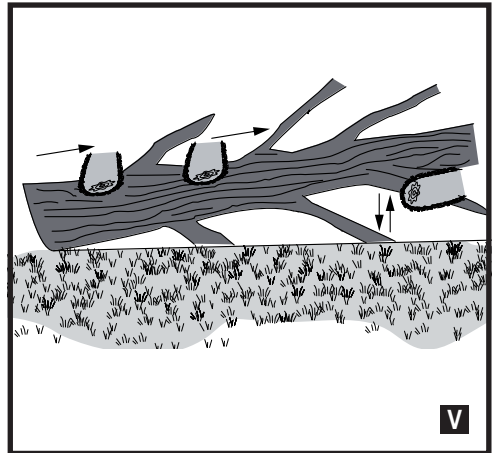
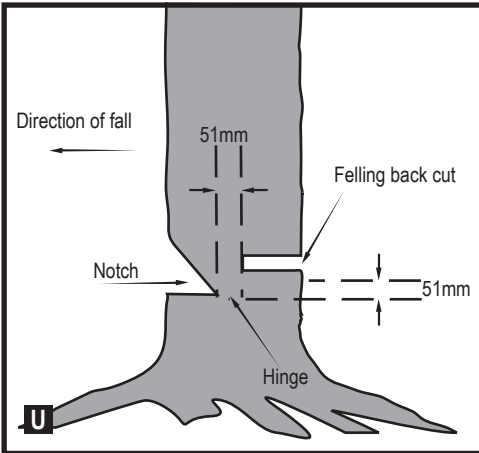
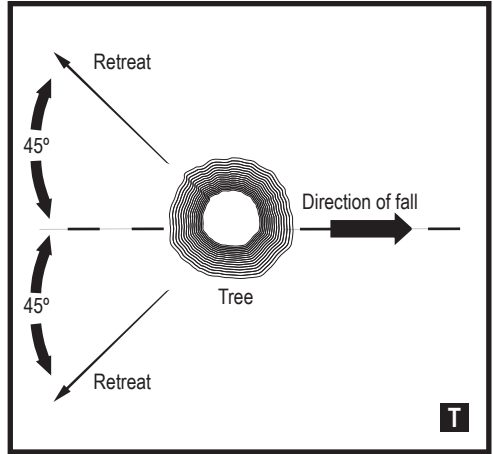
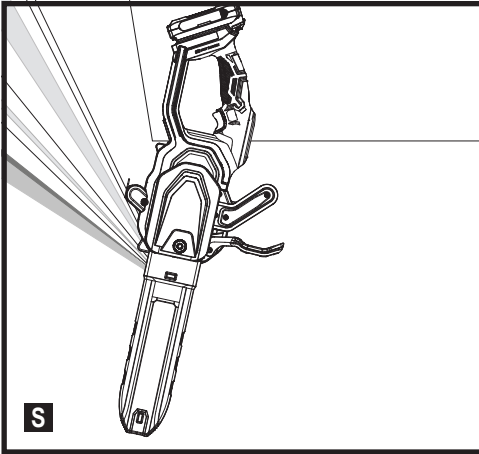
SFMCCS730

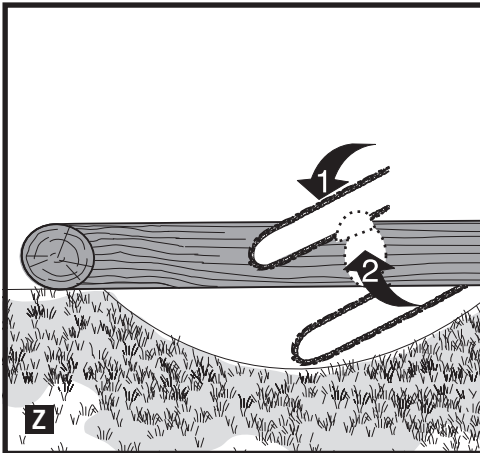
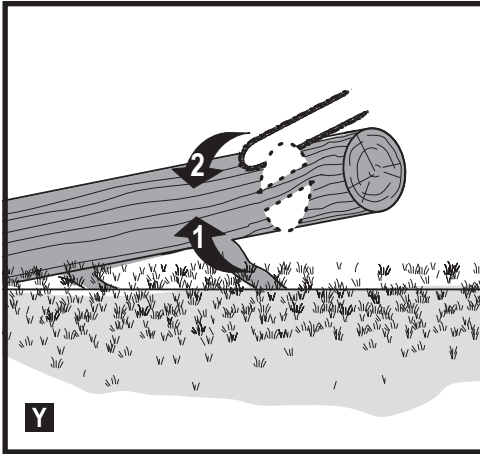
<b>English</b> (original instructions)	7
<b>Deutsch</b> (übersetzt von den originalanweisungen)	20
<b>Français</b> (traduction de la notice d'instructions originale)	34
<b>Italiano</b> (tradotto dalle istruzioni originali)	48
<b>Nederlands</b> (vertaald vanuit de originele instructies)	63
<b>Español</b> (traducido de las instrucciones originales)	77
<b>Português</b> (traduzido das instruções originais)	91
<b>Svenska</b> (översatt från de ursprungliga instruktionerna)	106
<b>Norsk</b> (oversatt fra de originale instruksjonene)	117
<b>Dansk</b> (oversat fra original brugsvejledning)	129
<b>Suomi</b> (käännetty alkuperäisestä käyttöohjeesta)	141
<b>Ελληνικά</b> (μετάφραση από τις πρωτότυπες οδηγίες)	153











The term "power tool" in all of the warnings listed below refers to your mains operated (corded) power tool or battery operated (cordless) power tool.

1. **Work area safety**
  - a. **Keep work area clean and well lit.** Cluttered or dark areas invite accidents.
  - b. **Do not operate power tools in explosive atmospheres, such as in the presence of flammable liquids, gases or dust.** Power tools create sparks which may ignite the dust or fumes.
  - c. **Keep children and bystanders away while operating a power tool.** Distractions can cause you to lose control.

2. **Electrical safety**
  - a. **Power tool plugs must match the outlet. Never modify the plug in any way. Do not use any adapter plugs with earthed (grounded) power tools.** Unmodified plugs and matching outlets will reduce risk of electric shock.
  - b. **Avoid body contact with earthed or grounded surfaces such as pipes, radiators, ranges and refrigerators.** There is an increased risk of electric shock if your body is earthed or grounded.
  - c. **Do not expose power tools to rain or wet conditions.** Water entering a power tool will increase the risk of electric shock.
  - d. **Do not abuse the cord. Never use the cord for carrying, pulling or unplugging the power tool. Keep cord away from heat, oil, sharp edges or moving parts.** Damaged or entangled cords increase the risk of electric shock.
  - e. **When operating a power tool outdoors, use an extension cord suitable for outdoor use.** Use of a cord suitable for outdoor use reduces the risk of electric shock.
  - f. **If operating a power tool in a damp location is unavoidable, use a residual current device (RCD) protected supply.** Use of an RCD reduces the risk of electric shock.

3. **Personal safety**
  - a. **Stay alert, watch what you are doing and use common sense when operating a power tool. Do not use a power tool while you are tired or under the influence of drugs, alcohol or medication.** A moment of inattention while operating power tools may result in serious personal injury.
  - b. **Use personal protective equipment. Always wear eye protection.** Protective equipment such as a dust mask, non-skid safety shoes, hard hat, or hearing protection used for appropriate conditions will reduce personal injuries.
  - c. **Prevent unintentional starting.**

## Intended use

Your STANLEY FATMAX, SFMCCS730 Compact Chainsaw has been designed for light duty cutting and pruning. This appliance is intended for professional and private, non professional users.

## Safety instructions

### General power tool safety warnings



**Warning! Read all safety warnings, instructions, illustrations and specifications provided with power tool.** Failure to follow all instructions listed below may result in electric shock, fire and/or serious injury.

**Save all warnings and instructions for future reference.**

- Ensure the switch is in the off-position before connecting to power source and/or battery pack, picking up or carrying the tool. Carrying power tools with your finger on the switch or energising power tools that have the switch on invites accidents.
- d. **Remove any adjusting key or wrench before turning the power tool on.** A wrench or a key left attached to a rotating part of the power tool may result in personal injury.
  - e. **Do not overreach. Keep proper footing and balance at all times.** This enables better control of the power tool in unexpected situations.
  - f. **Dress properly. Do not wear loose clothing or jewellery. Keep your hair, clothing and gloves away from moving parts.** Loose clothes, jewellery or long hair can be caught in moving parts.
  - g. **If devices are provided for the connection of dust extraction and collection facilities, ensure these are connected and properly used.** Use of dust collection can reduce dust-related hazards.
  - h. **Do not let familiarity gained from frequent use of tools allow you to become complacent and ignore tool safety principles.** A careless action can cause severe injury within a fraction of a second.
4. **Power tool use and care**
    - a. **Do not force the power tool. Use the correct power tool for your application.** The correct power tool will do the job better and safer at the rate for which it was designed.
    - b. **Do not use the power tool if the switch does not turn it on and off.** Any power tool that cannot be controlled with the switch is dangerous and must be repaired.
    - c. **Disconnect the plug from the power source and/or the battery pack from the power tool before making any adjustments, changing accessories, or storing power tools.** Such preventive safety measures reduce the risk of starting the power tool accidentally.
    - d. **Store idle power tools out of the reach of children and do not allow persons unfamiliar with the power tool or these instructions to operate the power tool.** Power tools are dangerous in the hands of untrained users.
    - e. **Maintain power tools. Check for misalignment or binding of moving parts, breakage of parts and any other condition that may affect the power tools operation. If damaged, have the power tool repaired before use.** Many accidents are caused by poorly maintained power tools.
    - f. **Keep cutting tools sharp and clean.** Properly maintained cutting tools with sharp cutting edges are less likely to bind and are easier to control.
    - g. **Use the power tool, accessories and tool bits etc. in accordance with these instructions, taking into account the working conditions and the work to be performed.** Use of the power tool for operations different from those intended could result in a hazardous situation.
    - h. **Keep handles and grasping surfaces dry, clean and free from oil and grease. Slippery handles and grasping surfaces do not allow for safe handling and control of the tool in unexpected situations.**
  5. **Battery tool use and care**
    - a. **Recharge only with the charger specified by the manufacturer.** A charger that is suitable for one type of battery pack may create a risk of fire when used with another battery pack.
    - b. **Use power tools only with specifically designated battery packs.** Use of any other battery packs may create a risk of injury and fire.
    - c. **When battery pack is not in use, keep it away from other metal objects, like paper clips, coins, keys, nails, screws, or other small metal objects, that can make a connection from one terminal to another.** Shorting the battery terminals together may cause burns or a fire.
    - d. **Under abusive conditions, liquid may be ejected from the battery; avoid contact. If contact accidentally occurs, flush with water. If liquid contacts eyes, additionally seek medical help.** Liquid ejected from the battery may cause irritation or burns.
    - e. **Do not use a battery pack or tool that is damaged or modified.** Damaged or modified batteries may exhibit unpredictable behaviour resulting in fire, explosion or risk of injury.
    - f. **Do not expose a battery pack or tool to fire or excessive temperature.** Exposure to fire or temperature above 130 °C may cause explosion. NOTE: The temperature „130 °C“ can be replaced by the temperature „265 °F“.
    - g. **Follow all charging instructions and do not charge the battery pack or tool outside the temperature range specified in the instructions.** Charging improperly or at temperatures outside the specified range may damage the battery and increase the risk of fire.
  6. **Service**
    - a. **Have your power tool serviced by a qualified repair person using only identical replacement parts.** This will ensure that the safety of the power tool is maintained.
    - b. **Never service damaged battery packs.** Service of battery packs should only be performed by the manufacturer or authorized service providers (only used for battery tools).



## General chain saw safety warnings



**Warning!** Additional safety warnings for chainsaws

- ◆ **Keep all parts of the body away from the saw chain when the chainsaw is operating. Before you start the chainsaw, make sure the saw chain is not contacting anything.** A moment of inattention while operating chain saws may cause entanglement of your clothing or body with the chain saw.
- ◆ **Always hold the chainsaw with your right hand on the rear handle and your left hand on the front handle.** Holding the chainsaw with a reversed hand configuration increases the risk of personal injury and should never be done.
- ◆ **Hold the chain saw by insulated gripping surfaces only, because the saw chain may contact hidden wiring.** Saw chains contacting a "live" wire may make exposed metal parts of the chain saw "live" and could give the operator an electric shock.
- ◆ **Wear eye protection. Further protective equipment for hearing, head, hands, legs and feet is recommended.** Adequate protective equipment will reduce personal injury from flying debris or accidental contact with the saw chain.
- ◆ **Do not operate a chain saw in a tree, on a ladder, from a rooftop, or any unstable support.** Operation of a chain saw in this manner could result in serious personal injury.
- ◆ **Always keep proper footing and operate the chain saw only when standing on fixed, secure and level surface.** Slippery or unstable surfaces such as ladders may cause a loss of balance or control of the chainsaw.
- ◆ **When cutting a limb that is under tension be alert for spring back.** When the tension in the wood fibres is released the spring loaded limb may strike the operator and/or throw the chain saw out of control.
- ◆ **Use extreme caution when cutting brush and saplings.** The slender material may catch the saw chain and be whipped toward you or pull you off balance.
- ◆ **Carry the chain saw by the front handle with the chain saw switched off and away from your body. When transporting or storing the chainsaw always fit the guide bar cover.** Proper handling of the chain saw will reduce the likelihood of accidental contact with the moving saw chain.
- ◆ **Follow instructions for lubricating, chain tensioning and changing accessories.** Improperly tensioned or lubricated chain may either break or increase the chance for kickback
- ◆ **Cut wood only. Do not use chainsaw for purposes not intended. For example: do not use the chainsaw for cutting plastic, masonry or non-wood building materials.**

Use of the chainsaw for operations different than intended could result in a hazardous situation.

- ◆ **Do not attempt to fell a tree until you have an understanding of the risks and how to avoid them.** Serious injury could occur to the operator or bystanders while felling a tree.
- ◆ **Follow all instructions when clearing jammed material, storing or servicing the chain saw. Make sure the switch is off and the battery pack is removed.** Unexpected actuation of the chain saw while clearing jammed material or servicing may result in serious personal injury.

## Additional power tool safety warnings



**Warning!** Additional safety warnings for compact chainsaws.

The intended use is described in this instruction manual. Do not use the tool for purposes not intended; for example do not use the tool to fell trees. The use of any accessory or attachment or performance of any operation with this tool other than those recommended in this instruction manual may present a risk of personal injury.

- ◆ **Wear close fitting and protective clothing including a safety helmet with visor/goggles, ear protectors, non-skid safety footwear, protective bib trousers and strong leather gloves.**
- ◆ **Always position yourself out of the path of falling branches.**
- ◆ **The safe distance between a branch to be felled and bystanders, buildings and other objects is at least 2 1/2 times the length of the branch.** Any bystander, building or object within this distance is at risk from being struck by the falling branch.
- ◆ **Pre-plan a safe exit from falling branches.** Ensure the exit route is clear of obstacles that would prevent or hinder movement. Remember wet grass and freshly cut bark is slippery.
- ◆ **Ensure someone is nearby (but at a safe distance) in case of an accident.**
- ◆ **Do not use the tool while standing in a tree, on a ladder or on any other unstable surface.**
- ◆ **Keep proper footing and balance at all times.**
- ◆ **Hold the tool firmly with both hands when the motor is running.**
- ◆ **Do not let the moving chain contact any object at the tip of the guide bar.**
- ◆ **Start cutting only with the chain moving at full speed.**
- ◆ **Do not attempt to enter a previous cut.** Always make a fresh cut.
- ◆ **Watch for shifting branches or other forces that could close a cut and pinch or fall into the chain.**
- ◆ **Do not attempt to cut a branch when the diameter of the branch exceeds the cutting length of the tool.**

- ◆ **Always remove the battery from the tool and place the chain cover assembly over the chain when storing or transporting the tool.**
- ◆ **Keep the saw chain sharp and properly tensioned.**  
Check the tension at regular intervals.
- ◆ **Switch the tool off, allow the chain to stop and remove the battery from the tool before carrying out any adjustment, servicing or maintenance.**
- ◆ **Only use genuine replacement parts and accessories.**
- ◆ **Keep handles dry, clean, and free from oil and grease.**  
Greasy, oily handles are slippery causing loss of control.
- ◆ **The spiked bumper may become sharp during the life of the product.** Handle with care.
- ◆ **When handling the product the chain bar may become hot, handle with care.**

### Causes and operator prevention of kickback

Kickback may occur when the nose or tip of the guide bar touches an object, or when the wood closes in and pinches the saw chain in the cut.

Tip contact in some cases may cause a sudden reverse reaction, kicking the guide bar up and back towards the operator. Pinching the saw chain along the top of the guide bar may push the guide bar rapidly back towards the operator.

Either of these reactions may cause you to lose control of the chainsaw which could result in serious personal injury. Do not rely exclusively upon the safety devices built into your chainsaw. As a chainsaw user, you should take several steps to keep your cutting jobs free from accident or injury.

Kickback is the result of tool misuse and / or incorrect operating procedures or conditions and can be avoided by taking proper precautions as given below:

- ◆ **Maintain a firm grip, with thumbs and fingers encircling the chainsaw handles. With both hands on the chainsaw, position your body and arm to allow you to resist kickback forces.** Kickback forces can be controlled by the operator, if proper precautions are taken. Do not let go of the chainsaw.
- ◆ **Do not overreach and do not cut above shoulder height.** This helps prevent unintended tip contact and enables better control of the chainsaw in unexpected situations.
- ◆ **Only use replacement guide bars and chains specified by the manufacturer.** Incorrect replacement guide bars and chains may cause chain breakage and/ or kickback.
- ◆ **Follow the manufacturer's sharpening and maintenance instructions for the saw chain.** Decreasing the depth gauge height can lead to increased kickback.

### Safety recommendations for the chainsaw

- ◆ We strongly recommend that first time users obtain practical instruction in the use of the chainsaw and protective equipment from an experienced user.

Initial practice should be completed sawing logs on a saw horse or cradle.

- ◆ We recommend that when carrying the chainsaw that you remove the battery and make sure that the saw chain is facing backwards.
- ◆ Maintain your chainsaw when not in use. Do not store your chainsaw for any length of time without first removing the saw chain and guide bar which should be kept immersed in oil. Store all parts of your chainsaw in a dry, secure place out of reach of children.
- ◆ We recommend you drain the oil reservoir prior to storage.
- ◆ Be sure of your footing and pre-plan a safe exit from a falling tree or branches.
- ◆ Use wedges to help control felling and prevent binding the guide bar and saw chain in the cut.
- ◆ Saw chain care. Keep the saw chain sharp and snug on the guide bar. Ensure the saw chain and guide bar are clean and well oiled. Keep handles dry, clean and free from oil and grease.

### Kickback can be caused by:

- ◆ Striking branches or other objects accidentally with a tip of the saw while the saw chain is moving.
- ◆ Striking metal, cement or any other hard material near the wood, or buried in the wood.
- ◆ A dull or loose chain.
- ◆ Cutting above shoulder height.
- ◆ Lack of attention when holding or guiding the chainsaw while cutting.
- ◆ Over-reaching. Keep proper footing and balance at all times and do not overreach.
- ◆ Do not try to insert into a previous cut. As this could cause kickback. Make a fresh cut every time.
- ◆ We strongly recommend you do not attempt to operate your chainsaw while in a tree, on a ladder or on any other unstable surface. If you decide to do so, be advised that these positions are extremely dangerous.
- ◆ When cutting a branch that is under tension, be alert for spring back so that you will not be struck when the tension is released.

### Avoid cutting:

- ◆ Prepared timber.
- ◆ Into the ground.
- ◆ Into wire fences, nails, etc.
- ◆ Into small sized brush and saplings because slender material may catch the saw chain and be whipped towards you, or pull you off balance.
- ◆ Do not use your chainsaw above shoulder height.
- ◆ Ensure someone is nearby (but at a safe distance) in case of an accident.

- ◆ If for any reason you have to touch the saw chain, make sure your chainsaw is switched off and the battery is removed.
- ◆ The noise from this product can exceed 80 dB(A). We therefore recommend you take appropriate measures for the protection of hearing

### Residual risks.

Additional residual risks may arise when using the tool which may not be included in the enclosed safety warnings. These risks can arise from misuse, prolonged use etc.

Even with the application of the relevant safety regulations and the implementation of safety devices, certain residual risks can not be avoided. These include:

- ◆ Injuries caused by touching any rotating/moving parts.
- ◆ Injuries caused when changing any parts, blades or accessories.
- ◆ Injuries caused by prolonged use of a tool. When using any tool for prolonged periods ensure you take regular breaks.
- ◆ Impairment of hearing.
- ◆ Health hazards caused by breathing dust developed when using your tool (example:- working with wood, especially oak, beech and MDF.)

### Noise and Vibration

The declared vibration emission values and the declared noise emission value(s) stated in the technical data and the declaration of conformity have been measured in accordance with a standard test method provided by EN 62841 and may be used for comparing one tool with another. The declared vibration emission value and the declared noise emission value(s) may also be used in a preliminary assessment of exposure.

**Warning!** The vibration and noise emission value during actual use of the power tool can differ from the declared value depending on the ways in which the tool is used. The vibration level may increase above the level stated.

When assessing vibration exposure to determine safety measures required by 2002/44/EC to protect persons regularly using power tools in employment, an estimation of vibration exposure should consider, the actual conditions of use and the way the tool is used, including taking account of all parts of the operating cycle such as the times when the tool is switched off and when it is running idle in addition to the trigger time.

### Labels on tool

The following pictograms are shown on the tool along with the date code:



**Warning!** To reduce the risk of injury, the user must read the instruction manual.



Do not use your saw in wet conditions or expose it to rain.



Always wear head, hearing and eye protection.



Always wear a dust mask



Always wear gloves.



Always wear non-slip safety footwear.



Always hold a chainsaw firmly with both hands.



Pay attention to the kickback of the chainsaw and avoid contact with the tip of the chain bar.



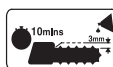
Do not use chainsaw one handed"



Switch the tool off. Before performing any maintenance on the tool, remove the battery from the tool.



Beware of falling objects. Keep bystanders away



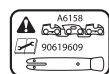
To ensure continued safe operation, check the chain tension as described in this manual after every 10 minutes of use, and adjust back to a clearance of 3 mm as required. Oil the chain after every 10 minutes of use.



**Warning!** Do not touch chain at the chipping ejection point



Direction of rotation of the chain.



To ensure continued safe operation, the chain and guide bar must only be replaced with original STANLEY FATMAX. Replacement chain part number A6158 replacement guide bar part number 90619609.



Directive 2000/14/EC guaranteed sound power.

## Additional safety instructions for batteries and chargers

### Batteries

- ◆ Never attempt to open for any reason.
- ◆ Do not expose the battery to water.
- ◆ Do not expose the battery to heat.
- ◆ Do not store in locations where the temperature may exceed 40°C.
- ◆ Charge only at ambient temperatures between 10°C and 40°C.
- ◆ Charge only using the charger provided with the appliance/tool. Using the wrong charger could result in an electric shock or overheating of the battery.
- ◆ When disposing of batteries, follow the instructions given in the section "Protecting the environment".
- ◆ Do not damage/deform the battery pack either by puncture or impact, as this may create a risk of injury and fire.
- ◆ Do not charge damaged batteries.

**Under extreme conditions, battery leakage may occur.**

**When you notice liquid on the batteries, carefully wipe the liquid off using a cloth.** Avoid skin contact.

In case of skin or eye contact, follow the instructions below.

**Warning! The battery fluid may cause personal injury or damage to property.** In case of skin contact, immediately rinse with water. If redness, pain or irritation occurs seek medical attention. In case of eye contact, rinse immediately with clean water and seek medical attention.

### Chargers

**Warning! Your charger has been designed for a specific voltage.** Always check that the mains voltage corresponds to the voltage on the rating plate.

**Warning!** Never attempt to replace the charger unit with a regular mains plug.

- ◆ Use your STANLEY FATMAX charger only to charge the battery in the appliance/tool with which it was supplied. Other batteries could burst, causing personal injury and damage.
- ◆ Never attempt to charge non-rechargeable batteries.
- ◆ If the supply cord is damaged, it must be replaced by the manufacturer or an authorised STANLEY FATMAX Service Centre in order to avoid a hazard.
- ◆ Do not expose the charger to water.
- ◆ Do not open the charger.
- ◆ Do not probe the charger.
- ◆ The charger must be placed in a well ventilated area when charging.

### Labels on the charger

The following symbols are found on your charger:



The charger is intended for indoor use only.



Read the instruction manual before use.

### Electrical safety



Your charger is double insulated; therefore no earth wire is required. Always check that the mains voltage corresponds to the voltage on the rating plate. Never attempt to replace the charger unit with a regular mains plug.

- ◆ If the supply cord is damaged, it must be replaced by the manufacturer or an authorised STANLEY FATMAX Service Centre in order to avoid a hazard.

### Features

1. ON/OFF trigger switch
2. Lock-off lever
3. Chain brake / front hand guard
4. Guide bar
5. Saw chain
6. Sprocket cover
7. Bar lock nut
8. Chain tensioning screw
9. Oil cap
10. Oil level indicator
11. Guide bar scabbard
12. Rear handle
13. Front handle
14. Battery pack
15. Battery pack release button
16. Hex wrench
17. Hex wrench storage

### Assembly

**Warning!** Before assembly, remove the battery (14) from the tool.

### Charging the battery (Fig. A)

The battery needs to be charged before first use and whenever it fails to produce sufficient power on jobs that were easily done before. The battery may become warm while charging; this is normal and does not indicate a problem.

**Warning!** Do not charge the battery at ambient temperatures below 10 °C or above 40 °C. Recommended charging temperature: approx. 24 °C.

**Note:** The charger will not charge a battery if the cell temperature is below approximately 10 °C or above 40 °C.

The battery should be left in the charger and the charger will begin to charge automatically when the cell temperature warms up or cools down.







- ◆ To charge the battery (14), insert it into the charger (18). The battery will only fit into the charger in one way. Do not force. Be sure that the battery is fully seated in the charger.
- ◆ Plug in the charger and switch on at the mains.

The charging indicator (18a) will blink.

The charge is complete when the charging indicator (18a) switches to continuously on. The charger and the battery can be left connected indefinitely. The LED will switch on as the charger occasionally tops up the battery charge.

- ◆ Charge discharged batteries within 1 week. Battery life will be greatly diminished if stored in a discharged state.

### Charger LED Modes

	<b>Charging:</b> Green LED Intermittent	
	<b>Fully Charged:</b> Green LED Solid	
	<b>Hot/Cold Pack Delay:</b> Green LED Intermittent Red LED Solid	

**Note:** The compatible charger(s) will not charge a faulty battery pack. The charger will indicate a faulty battery pack by refusing to light.

**Note:** This could also mean a problem with a charger. If the charger indicates a problem, take the charger and battery pack to be tested at an authorized service centre.

### Leaving the battery in the charger

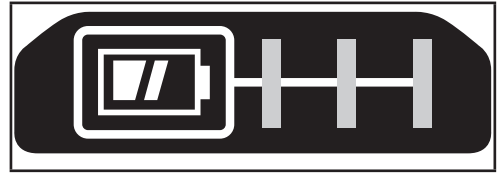
The charger and battery pack can be left connected with the LED glowing indefinitely. The charger will keep the battery pack fresh and fully charged.

### Hot/Cold Pack Delay

When the charger detects a battery that is too hot or too cold, it automatically starts a Hot/Cold Pack Delay, the green LED (18a) will flash intermittently, while the red LED (18b) will remain on continuously, suspending charging until the battery has reached an appropriate temperature. The charger then automatically switches to the pack charging mode. This feature ensures maximum battery life.

### Battery state of charge indicator (Fig. B)

The battery includes a state of charge indicator to quickly determine the extent of battery life as shown in figure B. By pressing the state of charge button (14a) you can easily view the charge remaining in the battery as illustrated in figure B.



### Installing and Removing the Battery Pack (Fig. L)

**Warning!** Ensure the tool/appliance is in the off position before inserting the battery pack.

**Note:** For best results, make sure your battery pack is fully charged.

- ◆ To install the battery pack (14) into the tool handle, align the battery pack with the rails inside the tool's handle and slide it into the handle until the battery pack is firmly seated in the tool and ensure that it does not disengage.
- ◆ To remove the battery pack from the tool, press the battery pack release button (15) and firmly pull the battery pack out of the tool handle. Insert it into the charger as described in the charger section of this manual.

### Installing the guide bar and saw chain (Fig. D-H)

**Warning!** Sharp chain. Always wear protective gloves when handling the chain. The chain is sharp and can cut you when it is not running.

**Warning!** Sharp moving chain. To prevent accidental operation, ensure that battery is removed from the tool before performing the following operations. Failure to do this could result in serious personal injury.

If the saw chain (5) and guide bar (4) are packed separately in the carton, the chain has to be attached to the bar, and both must be attached to the body of the tool.

- ◆ Place the saw on a flat, firm surface.
- ◆ Rotate the bar lock nut (7) counterclockwise with the hex wrench (16) provided.
- ◆ Remove sprocket cover (6), and bar lock nut (7).
- ◆ Wearing protective gloves, grasp the saw chain (5) and wrap it around the guide bar (4), ensuring the teeth are facing the correct direction (Fig. H).
- ◆ Ensure the chain is properly set in the slot around the entire guide bar.
- ◆ Place the saw chain around the sprocket (19). While lining up the slot on the guide bar with chain tensioning pin (20), and the bolt (21), on the base of the tool as shown in Fig. E.
- ◆ Once in place, hold the bar still, replace sprocket cover (6).

Install the rear of the sprocket cover first, rotate it down and make sure the bolt hole on the cover lines up with the bolt (21), on the main housing.

- ◆ Install the bar lock nut (7) and rotate clockwise with the hex wrench (16) provided until snug, then loosen nut one full turn, so that the saw chain can be properly tensioned.
- ◆ Rotate the chain tensioning screw (8) clockwise to increase tension as shown in Fig. D. Make sure the saw chain (5) is snug around the guide bar (4). Tighten the bar lock nut (7) until snug.
- ◆ Follow the instructions in the section Adjusting Chain Tension.

### Adjusting chain tension (Fig. D-H)

**Warning!** Incorrect saw chain tension can cause the saw chain to come off of the guide bar and could cause serious injury or death.

**Note:** Saw chain tension should be adjusted regularly before each use.

- ◆ With the saw still on a firm surface check the saw chain (5) tension. The tension is correct when the saw chain snaps back after being pulled (3 mm) away from the guide bar (4) with light force from the middle finger and thumb as shown in Fig. F. There should be no "sag" between the guide bar and the saw chain on the underside as shown in Fig. G.
- ◆ To adjust saw chain tension, loosen bar lock nut (7).
- ◆ Rotate the chain tensioning screw (8) in the front of the housing using the flat screwdriver end of the hex wrench (16).
- ◆ Check saw chain tension, adjust if needed.
- ◆ Do not over-tension the saw chain as this will lead to excessive wear and will reduce the life of the guide bar and saw chain. Overtensioning also reduces the amount of cuts you will get per battery charge.
- ◆ Once saw chain tension is correct, tighten bar lock nut (7) until snug. Torque the bar lock nut (7) to (8 Nm).
- ◆ A new chain stretches slightly during the first few hours of use. It is important to check the tension frequently (after disconnecting battery remove the battery pack) during the first two hours of use.

### Replacing the saw chain (Fig. D-H)

**Warning!** Sharp moving chain. To prevent accidental operation, ensure that battery is removed from the tool before performing the following operations. Failure to do this could result in serious personal injury.

**Caution:** Sharp chain. Always wear protective gloves when handling the chain. The chain is sharp and can cut you when it is not running.

**Caution:** The chain speed of this product is 8.6 m/s. Only use chains that are rated at greater than 8.6 m/s.

- ◆ Place the saw on a flat, firm surface.

- ◆ Remove sprocket cover (6) as described in Installing the Guide Bar and Saw Chain section.
- ◆ To remove the saw chain (5), rotate the chain tensioning screw (8) in the front of the housing using the flat screwdriver end of the wrench. Turning the screw counterclockwise allows the guide bar (4) to recede and reduces the tension on the chain so that it may be removed.
- ◆ Wearing protective gloves, grasp the saw chain and lift the worn saw chain out of the groove in the guide bar.
- ◆ Flip guide bar over every time you replace the chain to ensure even wear.
- ◆ Place the new chain in the slot of the guide bar, making sure the saw teeth are facing the correct direction by matching the arrow and graphic of the saw chain on the sprocket cover (6) shown in Fig. H.
- ◆ Follow instructions for Installing the Guide Bar and Saw Chain.

Replacement chain and bar are available from your nearest authorized service center.

This chainsaw requires replacement (304 mm) chain.

Replacement (304 mm) bar.

### Saw chain and guide bar oiling (Fig. I)

#### Auto oiling system

This chain saw is equipped with an auto oiling system that keeps the saw chain and guide bar constantly lubricated. The oil level indicator (10) shows the level of the oil in the chain saw. If the oil level is less than a quarter full, remove the battery from the chain saw and refill the oil tank with the correct type of oil.

Always empty oil tank when finished cutting.

Always empty oil tank before storing this unit.

**Note:** Do not operate this chain saw without oil.

**Note:** Always use a high-quality, biodegradable bar and chain oil for proper saw chain and bar lubrication. When pruning trees, vegetable-based bar and chain oil is recommended, as mineral-based oils may harm living trees. Never use dirty, used, or contaminated oil. Doing so may damage the tool.

#### Filling the oil reservoir

- ◆ Unscrew counterclockwise and then remove the oil cap (9). Fill the reservoir with the recommended bar and chain oil until the oil level has reached the top of the oil level indicator (10).
- ◆ Refit the oil cap and tighten clockwise.
- ◆ Periodically switch the chain saw off and check the oil level indicator to ensure the bar and chain are being properly oiled. Periodically switch the chain saw off and check the oil level indicator to ensure the bar and chain are being properly oiled.

### Transporting chainsaw (Fig. J)

- ◆ Always turn unit off, remove the battery and cover the guide bar (4) with the guide bar scabbard (11) when transporting the saw.

### Operation

**Warning!** To reduce the risk of serious personal injury, turn unit off and remove the battery pack before making any adjustments or removing/installing attachments or accessories. An accidental start-up can cause injury.

### Proper hand position (Fig. K)

**Warning!** To reduce the risk of serious personal injury, Always use proper hand position as shown.

**Warning!** To reduce the risk of serious personal injury, always hold securely in anticipation of a sudden reaction.

Proper hand position requires the left hand on the front handle (13), with the right hand on the rear handle (12).

### Operating the chain saw (Fig. K)

**Warning!** Read and understand all instructions. Failure to follow all instructions listed below may result in electric shock, fire and/or serious personal injury.

- ◆ Guard Against Kickback which can result in severe injury or death. See General Power Tool Safety Warnings and General Chain saw Safety Warnings, and Causes and Operator Prevention of Kickback and Kickback Safety Features, to avoid the risk of kickback.
- ◆ Do not overreach. Do not cut above chest height. Make sure your footing is firm. Keep feet apart. Divide your weight evenly on both feet.
- ◆ Use a firm grip with your left hand on the front handle (13) and your right hand on the rear handle (12) so that your body is to the left of the guide bar (4).
- ◆ Do not hold chain saw by chain brake/front hand guard (3). Keep elbow of left arm locked so that left arm is straight to withstand a kickback.

**Warning!** Never use a cross-handed grip (left hand on the rear handle and right hand on the front handle).

**Warning!** Never allow any part of your body to be in line with the guide bar when operating the chain saw.

- ◆ Never operate while in a tree, in any awkward position or on a ladder or other unstable surface. You may lose control of saw causing severe injury.
- ◆ Keep the chain saw running at full speed the entire time you are cutting.
- ◆ Allow the saw chain to cut for you. Exert only light pressure. Do not put pressure on chain saw at end of cut.

**Warning!** When not in use always have the chain brake engaged and battery removed.

### Setting the chain brake (Fig. K, L)

Your chain saw is equipped with a chain braking system which will stop the chain quickly in case of kickback.

- ◆ Ensure the chain brake/front hand guard (3) is in the forward position.
- ◆ Insert the battery pack (14) into the tool.
- ◆ Pull the chain brake/front hand guard (3) towards the front handle (13) into the "set/ready" position as shown in Fig. L.
- ◆ The tool is now ready to use.
- ◆ After use, return the chain brake/front hand guard to the forward position.
- ◆ Remove the battery.

**Note:** In the event of kickback, your left hand will come in contact with the front guard, pushing it forward, toward the workpiece. This will stop the tool.

### Testing the chain brake (Fig. L)

Test the chain brake before every use to make sure it operates correctly.

- ◆ Place the tool on a flat, firm surface. Make sure the saw chain (5) is clear of the ground.
- ◆ Grip the tool firmly with both hands and turn the chain saw on.
- ◆ Rotate your left hand forward around the front handle (13) so the back of your hand comes in contact with the chain brake/front hand guard (3) and push it forward, toward the workpiece. The saw chain should stop immediately.

**Note:** If saw does not stop immediately, stop use of tool and bring it to an authorized service center nearest you.

**Warning!** Make sure to set chain brake before cutting.

### On/Off switch (Fig. M)

Always be sure of your footing and grip the chain saw firmly with both hands with the thumb and fingers encircling both handles.

- ◆ To turn the unit on, push the lock-off lever (2) in, shown in Fig. M, and squeeze the trigger switch (1). Once the unit is running, you may release the lock-off lever.
- ◆ In order to keep the unit running you must continue to squeeze the trigger. To turn the unit off, release the trigger.

### Saw chain sharpening (Fig. N - P)

**Caution:** Sharp chain. Always wear protective gloves when handling the chain. The chain is sharp and can cut you when it is not running.

**Warning!** Sharp moving chain. To prevent accidental operation, ensure that battery is removed from the tool before performing the following operations. Failure to do this could result in serious personal injury.

**Note:** The cutters will dull immediately if they touch the ground or a nail while cutting.

To get the best possible performance from your chainsaw it is important to keep the teeth of the saw chain sharp. Follow these helpful tips for proper saw chain sharpening:

- ◆ For best results use a 4.5 mm file and a file holder or filing guide to sharpen your saw chain. This will ensure you always get the correct sharpening angles.
- ◆ Place the file holder flat on the top plate and depth gauge of the cutter.
- ◆ Keep the correct top plate (22) filing angle line of 30 ° on your file guide parallel with your chain (file at 60 ° from chain viewed from the side) as shown.
- ◆ Sharpen cutters on one side of the chain first. File from the inside of each cutter to the outside. Then turn your saw around and repeat the processes (2, 3, 4) for cutters on the other side of the chain.

**Note:** Use a flat file to file the tops of the rakers (portion of chain link in front of the cutter) so they are about (0.635 mm) below the tips of the cutters as shown below.

- ◆ Keep all cutter lengths equal as shown in Fig. O.
- ◆ If damage is present on the chrome surface of the top plates or side plates, file back until such damage is removed.

**Caution:** After filing, the cutter will be sharp, use extra caution during this process.

**Note:** Each time the chain is sharpened, it loses some of the low kickback qualities and extra caution should be used. It is recommended that a saw chain be sharpened no more than four times.

### Hex wrench storage (Fig. Q)

When not in use the hex wrench (16) should be stored in the hex wrench storage (17) area located under the tool.

Pull the hex wrench from the hex wrench storage area to remove it.

Push the hex wrench into the hex wrench storage area to store it.

### Stanley Track Wall System (Fig. R,S)

**Warning!** To reduce the risk of serious personal injury, turn unit off and remove the battery pack before making any adjustments or removing/installing attachments or accessories. An accidental start-up can cause injury.

**Warning!** To reduce the risk of serious personal injury, do not use a damaged Stanley Track Wall System integral hang hook or Stanley Track Wall System. A damaged Stanley Track Wall System integral hang hook or Stanley Track Wall System Trackwall will not support the weight of the tool.

**Warning!** To reduce the risk of serious personal injury, DO NOT suspend tool overhead or suspend objects from the integral hang hook. ONLY suspend tool on the Stanley Track Wall System Trackwall using the integral hang hook.

**Warning!** Stanley Track Wall System integral hang hook is intended to mount the tool onto a Stanley Track Wall System Trackwall rail.

Do not use the integral hang hook to mount the tool to any other surface.

**Warning!** Stanley Track Wall System integral hang hook is not a belt hook.

**Warning!** When hanging objects on a Stanley Track Wall System Trackwall rail, adequately space the tools in order to not exceed 35 kg per linear foot.

**Warning!** Before using the tool make sure that the Stanley Track Wall System integral hang hook is returned to its original position.

**Important:** Stanley Track Wall System accessories mount compatible tools securely to the Stanley Track Wall System. Turn tool off, remove the battery pack and remove accessories.

Install guide bar scabbard (11) onto the guide bar (4).

**Caution:** Any product with exposed cutting teeth must have them covered securely if it is to be on the Stanley Track Wall System Trackwall.

Mount the integral hang hook (23) to the Stanley Track Wall System Trackwall as shown in Fig. R,S. It clicks when locked into position.

**Note:** Stanley Track Wall System accessories for use with your tool are available at extra cost from your local dealer or authorized service center.

### Common cutting techniques

#### Felling (Fig. T, U)

The process of cutting down a tree. Do not fell trees in high wind conditions.

**Warning!** Felling can result in injury. It should only be performed by a trained person.

A retreat path should be planned and cleared as necessary before cuts are started. The retreat path should extend back and diagonally to the rear of the expected line of fall as shown below.

- ◆ Before felling is started, consider the natural lean of the tree, the location of larger branches and the wind direction to judge which way the tree will fall. Have wedges (wood, plastic or aluminum) and a heavy mallet handy. Remove dirt, stones, loose bark, nails, staples, and wire from the tree where the felling cuts are to be made.
- ◆ Notching Undercut - Make the notch 1/3 of the diameter of the tree, perpendicular to the direction of the fall. Make the lower horizontal notching cut first. This will help to avoid pinching of either the saw chain or the guide bar when the second notch cut is being made as shown below.
- ◆ Felling Back Cut - Make the felling back cut at least 51 mm higher than the horizontal notching cut. Keep the felling back cut parallel to the horizontal notching cut.



Make the felling back cut so enough wood is left to act as a hinge. The hinge wood keeps the tree from twisting and falling in the wrong direction.

Do not cut through the hinge as shown below.

- ◆ As the felling cut gets close to the hinge the tree should begin to fall. If there is any chance that the tree may not fall in the desired direction or it may rock back and bind the saw chain, stop cutting before the felling cut is complete and use wedges to open the cut and drop the tree along the desired line of fall. When the tree begins to fall remove the chainsaw from the cut, stop the motor, put the chainsaw down, then use the retreat path planned. Be alert for overhead limbs falling and watch your footing.

### Limbing (Fig. V)

Removing the branches from a fallen tree. When limbing, leave larger lower limbs to support the log off the ground.

Remove the small limbs in one cut. Branches under tension should be cut from the bottom of the branch towards the top to avoid binding the chainsaw as shown in Fig. V. Trim limbs from opposite side keeping tree stem between you and saw. Never make cuts with saw between your legs or straddle the limb to be cut.

### Bucking (Fig. W, X, Y, Z)

**Warning!** Recommend that first-time users should practice cutting on a saw horse.

Cutting a felled tree or log into lengths. How you should cut depends on how the log is supported. Use a saw horse whenever possible as shown in Fig. W.

- ◆ Always start a cut with the saw chain running at full speed.
- ◆ Place the bottom spike of the chainsaw behind the area of the initial cut as shown in Fig. W.
- ◆ Turn the chainsaw on then rotate the saw chain and bar down into the tree, using the spike as a hinge.
- ◆ Once the chainsaw gets to a 45 ° angle, level the chainsaw again and repeat steps until you cut fully through.
- ◆ When the tree is supported along its entire length Fig. X, make a cut from the top (overbuck), but avoid cutting the earth as this will dull your saw quickly.
- ◆ When supported at one end Fig. Y, first, cut 1/3 the diameter from the underside (underbuck). Then make the finishing cut by overbucking to meet the first cut as shown in Fig Y.
- ◆ When supported at both ends Fig. Z. First, cut 1/3 down from the top overbuck. Then make the finished cut by underbucking the lower 2/3 to meet the first cut as shown in Fig. Z.

## Troubleshooting

Problem	Possible cause	Possible solution
Tool will not start	Lock button not pressed.	Press the lock button.
	Battery not fitted	Fit the battery
	Battery not charged	Charge the battery
	Battery not fitted correctly	Remove then re-fit the battery
Chain does not stop within 2 seconds when the tool is switched off	Chain tension is too slack	Check chain tension
Bar/chain appear hot/smoking	Oil tank empty	Check oil tank level
	Oil hole blocked on chain bar	Clean oil holes and clear the groove around the edge of the chainbar.
	Chain tension is too tight	Check chain tension
	Guide bar sprocket nose needs greasing	Oil the guide bar sprocket nose
Chainsaw does not cut well	Chain on backwards	Check/modify chain direction
		Sharpen
Chainsaw not using oil	Debris in tank	Empty oil from tank and replace
	Oil hole in cap blocked	Remove debris from hole
	Debris in chain bar	Remove debris and clean the chain bar
	Debris in oil outlet	Remove debris
Chainsaw stops suddenly during use	Battery depleted	Check the charge on the battery by pressing the state of charge indicator. Re-charge battery if required.
	Battery too hot	Leave the battery to cool for at least 30 minutes before proceeding or charging.
	Current limit protection	Restart the chainsaw. Let the tool work at its own pace. Do not overload .

## Maintenance

Regular maintenance ensures a long effective life for the tool. We recommend you make the following checks on a regular basis.

**Warning!** Before performing any maintenance on power tools:

- ◆ Switch off and disconnect the tool from the mains supply.

**Oil level**

The level in the reservoir should not be allowed to fall below a quarter full.

**Saw chain and guide bar**

- ◆ After every few hours of use and before storage, remove the guide bar and the saw chain and clean them thoroughly.
- ◆ Make sure that the guard is clean and free from debris.
- ◆ Oil sprocket nose and chain bar via the sprocket lubrication holes. This ensures an even distribution of wear around the guide bar rails.

**Saw chain sharpening**

If you are to get the best possible performance from the tool it is important to keep the teeth of the saw chain sharp.

Guidance for this procedure is found on the sharpener package.

**Replacing worn out saw chains**

Replacement saw chains are available through retailers or STANLEY FATMAX service agents. Always use genuine spare parts.

**Saw chain sharpness**

The saw chain cutters will blunt immediately if they touch the ground or a nail while cutting.

**Saw chain tension**

Regularly check the saw chain tension.

**What to do if your chainsaw needs repair?**

Your chainsaw is manufactured in accordance with the relevant safety requirements. Repairs should only be carried out by a qualified person using original spare parts otherwise this may result in considerable danger to the user. We recommend you keep this user manual in a safe place.

**Protecting the environment**



Separate collection. Products and batteries marked with this symbol must not be disposed of with normal household waste.

Products and batteries contain materials that can be recovered or recycled reducing the demand for raw materials. Please recycle electrical products and batteries according to local provisions. Further information is available at [www.2helpU.com](http://www.2helpU.com)

**Technical data**

SFMCCS730		
Voltage	V <sub>DC</sub>	18
Bar length	mm	300
Chain speed (No-load)	m/s	6.7
Max cutting length	mm	250
Oil capacity	ml	150
Weight	kg	2.51 (without the saw chain, guide bar, guide bar cover, oil, battery)

Charger		SFMCB11	SFMCB12	SFMCB14
Input Voltage	V <sub>AC</sub>	230	230	230
Output Voltage	V <sub>DC</sub>	18	18	18
Current	A	1.25	2	4

Battery		SFMCB201	SFMCB202	SFMCB204	SFMCB206
Voltage	V <sub>DC</sub>	18	18	18	18
Capacity	Ah	1.5	2.0	4.0	6.0
Type		Li-Ion	Li-Ion	Li-Ion	Li-Ion

<b>Level of sound pressure according to EN 62841:</b>	
<b>L<sub>DA</sub> (sound pressure) 87 dB(A), Uncertainty (K) 3 dB(A)</b>	
<b>L<sub>WA</sub> (sound power) 99 dB(A), Uncertainty (K) 1.6 dB(A)</b>	
<b>Vibration total values (triax vector sum) according to EN 62841:</b>	
Vibration emission value (a <sub>h</sub> ) 6.5 m/s <sup>2</sup> , uncertainty (K) 1.5 m/s <sup>2</sup>	

**Supply of Machinery (Safety) Regulations 2008**



SFMCCS730 – Compact Chainsaw  
 STANLEY FATMAX declares that these products described under “technical data” are in compliance with:  
 The Supply of Machinery (Safety) Regulations, 2008, S.I. 2008/1597 (as amended),

EN 62841-1:2015+A11:2022, EN 62841-4-1:2020.  
 The Noise Emission in the Environment by Equipment for use Outdoors Regulations 2001, S.I. 2001/1701 (as amended).  
 Schedule 8.

LWA (measured sound power level) 99 dB(A), uncertainty (K) = 1.6 dB (A),  
 LWA (guaranteed sound power) 101 dB(A).

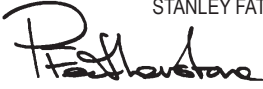
These products conform to the following UK Regulations:  
 Electromagnetic Compatibility Regulations, 2016,  
 S.I.2016/1091 (as amended).

The Restriction of the Use of Certain Hazardous Substances in Electrical and Electronic Equipment Regulations 2012, S.I. 2012/3032 (as amended).

For more information, please contact STANLEY FATMAX at the following address or refer to the back of the manual.

The undersigned is responsible for compilation of the technical file and makes this declaration on behalf of

STANLEY FATMAX



Paul Featherstone

Product Director - Outdoor Products Group  
STANLEY FATMAX, 270 Bath Road, Slough  
Berkshire, SL1 4DX  
United Kingdom 28/06/2023

### EC declaration of conformity MACHINERY DIRECTIVE



SFMCCS730 – Compact Chainsaw

STANLEY FATMAX declares that these products described under "technical data" are in compliance with: 2006/42/EC, EN 62841-1:2015+A11:2022, EN 62841-4-1:2020, 2000/14/EC, Annex V

LWA (measured sound power level) 99 dB(A), uncertainty (K) = 1.6 dB (A),

LWA (guaranteed sound power) 101 dB(A)

These products also comply with Directive 2014/30/EU and 2011/65/EU.

For more information, please contact STANLEY FATMAX at the following address or refer to the back of the manual.

The undersigned is responsible for compilation of the technical file and makes this declaration on behalf of

STANLEY FATMAX



Patrick Diepenbach  
General Manager, Benelux  
Stanley FatMax,  
Egide Walschaertsstraat 14-18  
2800 Mechelen, Belgium  
28/06/2023

### Guarantee

STANLEY FATMAX is confident of the quality of its products and offers consumers a 12 month guarantee from the date of purchase. This guarantee is in addition to and in no way prejudices your statutory rights. The guarantee is valid within the territories of the Member States of the European Union and the European Free Trade Area and the United Kingdom. To claim on the guarantee, the claim must be in accordance with STANLEY FATMAX Terms and Conditions and you will need to submit proof of purchase to the seller or an authorised repair agent. Terms and conditions of the STANLEY FATMAX 1 year guarantee and the location of your nearest authorised repair agent can be obtained on the Internet at [www.2helpU.com](http://www.2helpU.com), or by contacting your local STANLEY FATMAX office at the address indicated in this manual.

Please visit our website [www.stanley.eu/3](http://www.stanley.eu/3) to register. Please visit our website [www.stanley.eu/3](http://www.stanley.eu/3) to register your new STANLEY FATMAX product and receive updates on new products and special offers.

## Verwendungszweck

Ihre STANLEY FATMAX Kompakt-Kettensäge SFMCCS730 ist für leichte Säge- und Gehölzschnittaufgaben vorgesehen. Dieses Gerät ist zum gewerblichen und privaten Einsatz vorgesehen.

## Sicherheitshinweise

### Allgemeine Sicherheitswarnhinweise für Elektrowerkzeuge



**Warnung! Beachten Sie alle Sicherheits-hinweise, Anweisungen, Darstellungen und Daten, die Sie mit dem Gerät erhalten.** Wenn Sie die folgenden Anweisungen nicht beachten, kann es zu elektrischem Schlag, Feuer und/oder schweren Verletzungen kommen.

**Bewahren Sie alle Warnhinweise und alle Anweisungen gut auf.** Der Begriff „Elektrowerkzeug“ in den Warnhinweisen bezieht sich auf Ihr netzbetriebenes Elektrowerkzeug (mit Kabel) oder auf Ihr akkubetriebenes (kabelloses) Elektrowerkzeug.

#### 1. Sicherheit im Arbeitsbereich

- Halten Sie den Arbeitsbereich sauber und gut ausgeleuchtet.** Unaufgeräumte oder dunkle Bereiche begünstigen Unfälle.
- Betreiben Sie das Elektrowerkzeug nicht in explosionsgefährdeten Umgebungen, in denen sich z. B. brennbare Flüssigkeiten, Gase oder Staub befinden.** Elektrowerkzeuge erzeugen Funken, die den Staub oder die Dämpfe entzünden können.
- Halten Sie Kinder und andere Personen während der Benutzung von Elektrowerkzeugen fern.** Ablenkung kann dazu führen, dass Sie die Kontrolle über das Gerät verlieren.

#### 2. Elektrische Sicherheit

- Der Stecker des Elektrogerätes muss in die Steckdose passen. Ändern Sie niemals den Stecker in irgendeiner Form. Verwenden Sie keinerlei Adapterstecker an geerdeten Elektrogeräten.** Unveränderte Stecker und passende Steckdosen mindern die Gefahr eines elektrischen Schlages.
- Vermeiden Sie Körperkontakt mit geerdeten Flächen, wie Rohren, Radiatoren, Herden und Kühlgeräten.** Es besteht eine erhöhte Gefahr für einen elektrischen Schlag, wenn Ihr Körper geerdet ist.
- Setzen Sie Elektrogeräte keinem Regen oder feuchter Umgebung aus.** Wenn Wasser in das Elektrowerkzeug eindringt, erhöht sich die Gefahr eines elektrischen Schlages.
- Verwenden Sie das Kabel ordnungsgemäß.**

**Verwenden Sie niemals das Kabel, um das Elektrowerkzeug zu tragen oder durch Ziehen vom Netz zu trennen. Halten Sie das Kabel fern von Hitze, Öl, scharfen Kanten oder beweglichen Teilen.**

Beschädigte oder verhedderte Kabel erhöhen die Gefahr eines elektrischen Schlages.

- Verwenden Sie nur für den Außenbereich zugelassene Verlängerungskabel, wenn Sie mit dem Gerät im Freien arbeiten.** Die Verwendung eines für den Außenbereich zugelassenen Verlängerungskabels verringert das Risiko eines elektrischen Schlages.
  - Wenn das Gerät in einer feuchten Umgebung verwendet werden muss, schließen Sie es unbedingt an eine Steckdose mit Fehlerstromschutzschalter (FI-Schalter) an.** Ein Fehlerstromschutzschalter verringert das Risiko eines elektrischen Schlages.
- #### 3. Sicherheit von Personen
- Seien Sie aufmerksam, achten Sie darauf, was Sie tun, und gehen Sie sachgerecht mit einem Gerät um. Benutzen Sie Elektrowerkzeuge nicht, wenn Sie müde sind oder unter dem Einfluss von Drogen, Alkohol oder Medikamenten stehen.** Ein Moment der Unachtsamkeit beim Betrieb eines Elektrowerkzeugs kann zu schweren Verletzungen führen.
  - Tragen Sie persönliche Schutzausrüstung. Tragen Sie immer einen Augenschutz.** Das Tragen persönlicher Schutzausrüstung, wie Staubmaske, rutschfeste Sicherheitsschuhe, Schutzhelm oder Gehörschutz, je nach Art und Einsatz des Elektrowerkzeugs, verringert das Risiko von Verletzungen.
  - Vermeiden Sie unbeabsichtigtes Starten. Vergewissern Sie sich, dass das Gerät ausgeschaltet ist, bevor Sie es an eine Steckdose oder einen Akku anschließen, es hochheben oder tragen.** Wenn Sie beim Tragen des Geräts den Finger am Schalter haben oder das Gerät eingeschaltet an die Stromversorgung anschließen, kann dies zu Unfällen führen.
  - Entfernen Sie Einstell- oder Schraubenschlüssel, bevor Sie das Gerät einschalten.** Werkzeuge oder Schlüssel, die an rotierenden Teilen des Geräts angebracht sind, können zu Verletzungen führen.
  - Vermeiden Sie eine anormale Körperhaltung. Sorgen Sie für einen sicheren Stand und halten Sie jederzeit das Gleichgewicht.** Dadurch können Sie das Elektrowerkzeug in unerwarteten Situationen besser kontrollieren.
  - Tragen Sie geeignete Kleidung. Tragen Sie keine weite Kleidung und keinen Schmuck. Halten Sie Ihre Haare, Kleidung und Handschuhe von beweglichen Teilen fern.** Lose sitzende Kleidung, Schmuck oder lange Haare können sich in den beweglichen Teilen verfangen.

- g. Falls Vorrichtungen zum Absaugen oder Auffangen von Staub vorhanden sind, vergewissern Sie sich, dass diese angeschlossen sind und richtig verwendet werden.** Das Verwenden einer Staubauffangvorrichtung verringert Gefährdungen durch Staub.
- h. Vermeiden Sie, dass Sie durch häufige Verwendung von Werkzeugen unachtsam werden und die Prinzipien der Werkzeugsicherheit ignorieren.** Eine unachtsame Aktion kann im Bruchteil einer Sekunde zu schweren Verletzungen führen.
- 4. Gebrauch und Pflege von Elektrowerkzeugen**
- a. Überlasten Sie das Werkzeug nicht. Verwenden Sie das für Ihre Arbeit passende Gerät.** Das richtige Gerät wird die Aufgabe besser und sicherer erledigen, wenn es bestimmungsgemäß verwendet wird.
- b. Benutzen Sie kein Elektrowerkzeug, dessen Schalter defekt ist.** Ein Gerät, das sich nicht mehr ein- oder ausschalten lässt, ist gefährlich und muss repariert werden.
- c. Ziehen Sie den Stecker aus der Steckdose, oder trennen Sie das Gerät vom Akku, bevor Sie Einstellungen vornehmen, Zubehörteile wechseln oder das Gerät lagern.** Diese Vorbeugemaßnahmen mindern die Gefahr, dass das Elektrowerkzeug unbeabsichtigt startet.
- d. Bewahren Sie unbenutzte Elektrowerkzeuge außerhalb der Reichweite von Kindern auf. Lassen Sie Elektrowerkzeuge nicht von Personen benutzen, die damit nicht vertraut sind oder diese Anweisungen nicht gelesen haben.** Elektrowerkzeuge sind in den Händen nicht geschulter Personen gefährlich.
- e. Halten Sie das Gerät in einem einwandfreien Zustand. Kontrollieren Sie, ob bewegliche Teile falsch ausgerichtet sind oder klemmen und ob Teile gebrochen oder so beschädigt sind, dass die Funktion des Elektrowerkzeugs beeinträchtigt ist. Bei Beschädigungen lassen Sie das Elektrowerkzeug reparieren, bevor Sie es verwenden.** Viele Unfälle entstehen wegen mangelnder Wartung der Elektrowerkzeuge.
- f. Halten Sie Schneidwerkzeuge scharf und sauber.** Richtig gewartete Schneidwerkzeuge mit scharfen Klingen blockieren seltener und sind leichter unter Kontrolle zu halten.
- g. Benutzen Sie Elektrowerkzeuge, Zubehör, Werkzeugspitzen und Ähnliches in Übereinstimmung mit diesen Anweisungen und auf die für das jeweilige Elektrowerkzeug bestimmungsgemäße Weise und beachten Sie dabei die jeweiligen Arbeitsbedingungen und die Art der auszuführenden Arbeiten.**
- Der Gebrauch von Elektrowerkzeugen für andere als die vorgesehenen Zwecke kann zu gefährlichen Situationen führen.
- h. Halten Sie die Griffe trocken, sauber und frei von Öl und Fett. Rutschige Griffe und Oberflächen unterbinden die sichere Bedienbarkeit und Kontrolle über das Werkzeug in unerwarteten Situationen.**
- 5. Gebrauch und Pflege von Akkuwerkzeugen**
- a. Laden Sie den Akku nur mit dem vom Hersteller vorgesehenen Ladegerät auf.** Für ein Ladegerät, das nur für eine bestimmte Akkuartart geeignet ist, besteht Brandgefahr, wenn es mit anderen Akkus verwendet wird.
- b. Verwenden Sie Elektrowerkzeuge nur mit speziell dafür vorgesehenen Akkus.** Die Verwendung anderer Akkus kann zu Verletzungen oder Bränden führen.
- c. Bewahren Sie den Akku bei Nichtbenutzung nicht in der Nähe metallischer Objekte wie Büroklammern, Münzen, Schlüsseln, Nägeln oder Schrauben auf, da diese eine Verbindung zwischen beiden Polen des Akkus herstellen können.** Durch den dadurch entstehenden Kurzschluss kann der Akku in Brand geraten.
- d. Bei falscher Anwendung kann Flüssigkeit aus dem Akku austreten. Vermeiden Sie den Kontakt damit. Bei unbeabsichtigtem Kontakt mit Wasser abspülen. Gelangt die Flüssigkeit in die Augen, ziehen Sie außerdem ärztliche Hilfe hinzu.** Austretende Akkuflüssigkeit kann zu Hautreizungen oder Verbrennungen führen.
- e. Verwenden Sie kein Akkupack oder Werkzeug, das beschädigt ist oder modifiziert wurde.** Beschädigte oder modifizierte Akkus können unvorhersehbare Reaktionen auslösen und zu Bränden, Explosionen oder Verletzungen führen.
- f. Setzen Sie das Akkupack oder Werkzeug keinem Feuer oder übermäßig hohen Temperaturen aus.** Die Einwirkung von Feuer oder Temperaturen über 130 °C kann zu Explosionen führen. HINWEIS: Die Temperaturangabe „130 °C“ kann durch die Temperaturangabe „265 °F“ ersetzt werden.
- g. Befolgen Sie alle Ladeanweisungen und laden Sie das Akkupack oder Werkzeug nicht außerhalb des in den Anweisungen festgelegten Temperaturbereichs auf.** Ein unsachgemäßer Ladevorgang oder Temperaturen außerhalb des festgelegten Bereichs können den Akku schädigen und die Brandgefahr erhöhen.
- 6. Service**
- a. Lassen Sie Ihr Elektrowerkzeug nur von qualifiziertem Fachpersonal und nur mit Originalersatzteilen reparieren.** Damit wird sichergestellt, dass die Sicherheit des Geräts erhalten bleibt.

- b. **Führen Sie niemals Wartungsarbeiten an beschädigten Akkus durch.** Die Wartung von Akkupacks darf nur vom Hersteller selbst oder autorisierten Dienstleistern durchgeführt werden (nur für Akkuwerkzeuge).

### Allgemeine Sicherheitshinweise für Kettensägen



**Warnung!** Zusätzliche Sicherheitswarnungen für Kettensägen

- ◆ **Halten Sie alle Körperteile von der Kette fern, wenn das Gerät in Betrieb ist. Vergewissern Sie sich vor dem Starten der Kettensäge, dass die Kette keine Gegenstände berührt.** Ein Moment der Unachtsamkeit während des Betriebs kann dazu führen, dass die Kette Körper- oder Kleidungsstücke berührt.
- ◆ **Halten Sie die Kettensäge immer mit der rechten Hand am hinteren und mit der linken Hand am vorderen Griff.** Wenn Sie das Gerät anders halten, besteht erhöhte Verletzungsgefahr.
- ◆ **Halten Sie die Kettensäge ausschließlich an den isolierten Griffflächen, da die Kette mit verdeckten Kabeln in Berührung kommen könnte.** Der Kontakt der Sägekette mit stromführenden Leitungen kann auch offenliegende Metallteile an der Kettensäge unter Strom setzen und zu einem Stromschlag führen.
- ◆ **Tragen Sie Augenschutz. Außerdem empfiehlt sich das Tragen zusätzlicher Schutzausrüstung für Ohren, Kopf, Hände, Beine und Füße.** Geeignete Schutzausrüstung verringert das Risiko von Verletzungen durch weggeschleuderte Schnittabfälle oder durch unabsichtlichen Kontakt mit der Kette.
- ◆ **Bedienen Sie die Säge nicht, wenn Sie sich in einem Baum, auf einer Leiter, einem Dach oder auf einer anderen instabilen Fläche befinden.** Der Betrieb einer Kettensäge auf diese Weise kann zu schweren Verletzungen führen.
- ◆ **Achten Sie jederzeit auf einen sicheren Stand, und benutzen Sie die Kettensäge nur auf festem, ebenen Boden.** Auf rutschigen und instabilen Oberflächen oder auf Leitern ist kein sicherer Stand gewährleistet. Es besteht die Gefahr, dass Sie das Gleichgewicht und die Kontrolle über die Kettensäge verlieren.
- ◆ **Beim Durchschneiden eines Astes, der unter Spannung steht, kann dieser zurückschnellen.** Wenn die Spannung in den Holzfasern freigesetzt wird, kann der Ast den Bediener treffen und/oder gegen die Kettensäge schlagen und diese außer Kontrolle bringen.
- ◆ **Arbeiten Sie beim Sägen von Büschen und Jungbäumen mit größter Vorsicht.**

Es besteht die Gefahr, dass sich das nachgiebige Material in der Kette verfängt, in Ihre Richtung gedrückt wird und Sie aus dem Gleichgewicht bringt.

- ◆ **Tragen Sie die Kettensäge am vorderen Handgriff. Das Gerät muss ausgeschaltet sein und sollte den Körper nicht berühren. Bringen Sie den Kettenschutz an, bevor Sie das Gerät transportieren oder lagern.** Durch einen sachgemäßen Umgang mit der Kettensäge verhindern Sie einen unabsichtlichen Kontakt mit der sich bewegenden Kette.
- ◆ **Befolgen Sie die Anweisungen zum Ölen und Spannen der Kette und zum Wechseln von Zubehörteilen.** Bei einer unzureichend gespannten oder geölten Kette besteht Riss- und erhöhte Rückschlaggefahr.
- ◆ **Schneiden Sie nur in Holz. Verwenden Sie die Kettensäge nicht zweckentfremdet. Sägen Sie mit der Kettensäge zum Beispiel keinen Kunststoff, kein Mauerwerk und keine Baumaterialien, die nicht aus Holz sind.** Der Gebrauch der Kettensäge für andere als die vorgesehenen Zwecke kann zu gefährlichen Situationen führen.
- ◆ **Versuchen Sie nicht, einen Baum zu fällen, bevor Sie die zugehörigen Risiken kennen und wissen, wie Sie diese vermeiden können.** Beim Fällen eines Baumes kann es zu schweren Verletzungen des Bedieners oder umstehender Personen kommen.
- ◆ **Befolgen Sie beim Entfernen von feststeckendem Material, beim Lagern oder bei der Wartung alle Anweisungen. Vergewissern Sie sich, dass der Schalter ausgeschaltet und der Akku entfernt wurde.** Unerwartete Bewegungen der Kettensäge beim Entfernen von feststeckendem Material oder bei der Wartung können zu schweren Verletzungen führen.

### Zusätzliche Sicherheitshinweise für Elektrowerkzeuge



**Warnung!** Zusätzliche Sicherheitshinweise für Kompakt-Kettensägen.

Die bestimmungsgemäße Verwendung ist in dieser Betriebsanleitung beschrieben. Verwenden Sie das Gerät nicht zweckentfremdet, z. B. zum Fällen von Bäumen. Bei Verwendung von Zubehör oder Anbauteilen, die nicht in dieser Anleitung empfohlen sind, sowie bei der Bedienung des Geräts in Abweichung von den in dieser Anleitung beschriebenen Verfahren besteht Verletzungsgefahr.

- ◆ **Tragen Sie eng anliegende Schutzkleidung, inklusive eines Schutzhelms mit Schirm/Schutzbrille, Gehörschutz, rutschfestes, sicheres Schuhwerk, Schutzlatzhosen und feste Lederhandschuhe.**
- ◆ **Stellen Sie sich immer so auf, dass Sie nicht von herabfallenden Ästen getroffen werden können.**

- ◆ **Der Sicherheitsabstand zwischen dem zu schneidenden Ast und Zuschauern, Gebäuden und anderen Gegenständen beträgt mindestens das 2,5-fache der Astlänge.** Für Gegenstände, Gebäude und Zuschauer innerhalb dieses Abstandsbereichs besteht die Gefahr, von dem herabfallenden Ast getroffen zu werden.
- ◆ **Planen Sie einen sicheren Fluchtweg vor herabfallenden Ästen.** Achten Sie darauf, dass der Fluchtweg frei von Hindernissen ist, die Ihre Bewegungsfreiheit stören könnten. Berücksichtigen Sie, dass feuchtes Gras und frisch geschnittene Baumrinde rutschig sind.
- ◆ **Stellen Sie sicher, dass sich für den Fall eines Unfalls jemand in der Nähe befindet (jedoch in ausreichendem Sicherheitsabstand).**
- ◆ **Verwenden Sie die Säge nicht, wenn Sie sich auf einem Baum, auf einer Leiter oder auf einer anderen instabilen Fläche befinden.**
- ◆ **Sorgen Sie für einen sicheren Stand und halten Sie jederzeit das Gleichgewicht.**
- ◆ **Halten Sie das Gerät fest mit beiden Händen, während der Motor läuft.**
- ◆ **Bei laufender Kette darf die Spitze des Führungsschwerts nicht mit einem Gegenstand in Kontakt kommen.**
- ◆ **Zu Beginn des Schnitts muss die Kette immer mit voller Geschwindigkeit laufen.**
- ◆ **Versuchen Sie nicht, die Säge in einen vorhandenen Schnittpalt einzuführen.** Führen Sie stets einen neuen Schnitt durch.
- ◆ **Achten Sie auf die Bewegung des geschnittenen Astes und auf andere Kräfte, die dazu führen könnten, dass sich der Schnittpalt schließt und die Kette einklemmt oder dass Holz in die laufende Kette fällt.**
- ◆ **Versuchen Sie nicht, einen Ast zu schneiden, dessen Durchmesser die Schnittlänge der Kettensäge überschreitet.**
- ◆ **Entfernen Sie immer den Akku vom Gerät, und bringen Sie die Kettenabdeckung an, wenn das Gerät aufbewahrt oder transportiert werden soll.**
- ◆ **Halten Sie die Kette scharf und richtig gespannt.** Überprüfen Sie die Spannung regelmäßig.
- ◆ **Schalten Sie das Gerät vor Anpassungen oder Wartungsarbeiten aus, warten Sie, bis die Kette zum Stillstand gekommen ist, und entfernen Sie den Akku.**
- ◆ **Verwenden Sie nur Originalersatzteile und -zubehör.**
- ◆ **Halten Sie die Griffe trocken, sauber und öl- und fettfrei.** Schmierige, ölige Griffe sind rutschig. Dadurch ist die Kontrolle über das Gerät nicht mehr gewährleistet.
- ◆ **Die Anschlagkralle kann mit der Zeit scharf werden.** Gehen Sie daher vorsichtig damit um.
- ◆ **Vorsicht: Das Führungsschwert kann sich beim Betrieb erhitzen.**

### Ursachen für Rückschlag und Gegenmaßnahmen seitens des Bedieners

Rückschlag kann auftreten, wenn die Spitze des Führungsschwerts einen Gegenstand berührt, oder wenn Holz einknickt und die Kette im Schneidspalt einklemmt. Kontakt an der Spitze kann in einigen Fällen eine blitzschnelle Rückschlagwirkung erzeugen, die die Führungsschiene nach oben und zurück in Richtung Bediener schnellen lässt. Wenn die Kette an der Oberseite des Führungsschwerts eingeklemmt wird, kann dies das Schwert schnell nach hinten in Richtung Bediener drücken.

Diese Reaktionen können zum Verlust der Kontrolle über die Kettensäge und damit zu schweren Verletzungen führen. Verlassen Sie sich nicht nur auf die Sicherheitsvorrichtungen der Kettensäge. Als Bediener einer Kettensäge müssen Sie verschiedene Vorkehrungen treffen, um Sägearbeiten ohne Unfälle und Verletzungen durchführen zu können. Ein Rückschlag ist das Resultat eines Missbrauchs und/oder einer falschen Bedienung der Kettensäge oder falscher Arbeitsbedingungen. Er kann durch die entsprechenden unten angegebenen Vorsichtsmaßnahmen vermieden werden.

- ◆ **Halten Sie die Säge mit den Daumen auf einer Seite und den Fingern auf der anderen Seite an den Griffen fest. Durch einen festen Griff mit beiden Händen, einen ausgestreckten linken Arm und einen stabilen Stand lässt sich das Zurückschlagen vermeiden.** Die Rückschlagkräfte können vom Bediener mittels entsprechender Vorsichtsmaßnahmen unter Kontrolle gehalten werden. Lassen Sie die Kettensäge nicht los.
- ◆ **Strecken Sie sich nicht zu weit nach vorne, und schneiden Sie nicht oberhalb der Schulterhöhe.** Dadurch vermeiden Sie einen versehentlichen Kontakt der Spitze, und die Kettensäge lässt sich in unerwarteten Situationen besser unter Kontrolle halten.
- ◆ **Als Ersatzteile dürfen nur die vom Hersteller bezeichneten Führungsschwerter und Ketten verwendet werden.** Bei Verwendung falscher Ersatzteile besteht die Gefahr eines Kettenrisses und/oder erhöhte Rückschlaggefahr.
- ◆ **Das Schärfen der Sägekette und sämtliche Wartungsarbeiten müssen gemäß den Anweisungen des Herstellers erfolgen.** Das Kürzen der Tiefenbegrenzer an der Kette kann zu einer erhöhten Rückschlaggefahr führen.

### Empfehlungen für einen sicheren Umgang mit der Kettensäge

- ◆ Anfänger sollten sich unbedingt von einem erfahrenen Benutzer die sachgemäße Verwendung der Kettensäge und der Schutzausrüstung demonstrieren lassen. Es empfiehlt sich, zunächst das Sägen von Stückholz auf einem Sägebock zu üben.

- ◆ Beim Tragen der Kettensäge sollte der Akku entnommen worden sein und die Sägekette nach hinten weisen.
- ◆ Halten Sie die Kettensäge auch bei Nichtgebrauch in einem einwandfreien Betriebszustand. Nehmen Sie vor einer längeren Lagerung der Kettensäge die Kette und das Führungsschwert ab. Diese Teile sollten in Öl getaucht werden. Bewahren Sie sämtliche Teile der Kettensäge an einem trockenen, sicheren Ort außerhalb der Reichweite von Kindern auf.
- ◆ Der Ölbehälter sollte vor einer längeren Lagerung geleert werden.
- ◆ Achten Sie auf einen sicheren Stand, und planen Sie einen sicheren Fluchtweg vor dem fallenden Baum oder vor fallenden Ästen.
- ◆ Verwenden Sie beim Fällen eines Baums Keile, um die Fallrichtung zu beeinflussen und um zu verhindern, dass sich Kette und Führungsschwert im Schneidspalt verklemmen.
- ◆ Pflegen Sie die Sägekette. Halten Sie die Kette scharf und richtig gespannt. Stellen Sie sicher, dass Kette und Führungsschwert sauber und ausreichend geölt sind. Achten Sie darauf, dass die Griffe trocken, sauber sowie frei von Öl und Fett sind.
- ◆ Schneiden Sie nicht in Drahtzäune, Nägel usw.
- ◆ Schneiden Sie möglichst keine Büsche oder Jungbäume. Es besteht die Gefahr, dass sich das nachgiebige Material in der Kette verfängt, in Ihre Richtung gedrückt wird und Sie aus dem Gleichgewicht bringt.
- ◆ Verwenden Sie die Kettensäge nicht oberhalb der Schulterhöhe.
- ◆ Stellen Sie sicher, dass sich für den Fall eines Unfalls jemand in der Nähe befindet (jedoch in ausreichendem Sicherheitsabstand).
- ◆ Falls Sie die Kette aus irgendeinem Grund berühren müssen, vergewissern Sie sich, dass die Kettensäge ausgeschaltet und der Akku entfernt wurde.
- ◆ Der Schallpegel dieses Gerätes kann 80 dB(A) überschreiten. Das Tragen eines Gehörschutzes wird daher empfohlen.

### Restrisiken.

Beim Gebrauch dieses Geräts verbleiben zusätzliche Restrisiken, die möglicherweise nicht in den Sicherheitshinweisen genannt werden. Diese Risiken bestehen beispielsweise bei Missbrauch oder längerem Gebrauch.

Auch bei der Einhaltung der entsprechenden Sicherheitsvorschriften und der Verwendung aller Sicherheitsgeräte bestehen weiterhin bestimmte Restrisiken. Diese sind:

- ◆ Verletzungen, die durch das Berühren von sich drehenden/bewegenden Teilen verursacht werden.
- ◆ Verletzungen, die durch das Austauschen von Teilen, Sägeblättern oder Zubehör verursacht werden.
- ◆ Verletzungen, die durch längeren Gebrauch eines Geräts verursacht werden. Legen Sie bei längerem Gebrauch regelmäßige Pausen ein.
- ◆ Gehörschäden.
- ◆ Gesundheitsrisiken durch das Einatmen von Staub beim Gebrauch des Geräts (z. B. bei Holzarbeiten, insbesondere Eiche, Buche und Pressspan).

### Geräusche und Vibrationen

Die in den Abschnitten „Technische Daten“ und „EU-Konformitätserklärung“ angegebenen Werte für die Vibrationsemission und die Lärmemission wurden mit einer Standard-Prüfmethode nach EN 62841 ermittelt und können zum Vergleich verschiedener Geräte herangezogen werden. Außerdem kann mit Hilfe dieser Werte die Belastung bei Verwendung des Geräts schon im Voraus eingeschätzt werden.

**Warnung!** Die bei Verwendung des Geräts auftretende Vibrations- und Lärmemission hängt von der Art des Gerätegebrauchs ab und kann dementsprechend von dem angegebenen Wert abweichen.

### Ein Rückschlag kann verursacht werden durch:

- ◆ Versehentliches Berühren von Ästen oder anderen Gegenständen mit der Sägespitze, während sich die Kette bewegt.
- ◆ Berühren von Metall, Mauerwerk oder anderen harten Gegenständen in der Nähe oder innerhalb des Holzes.
- ◆ Eine stumpfe oder lockere Kette.
- ◆ Schnitte oberhalb der Schulterhöhe.
- ◆ Nachlässiges Halten oder Führen der Kettensäge während des Schneidens.
- ◆ Überstrecken. Achten Sie jederzeit auf einen sicheren Stand und eine sichere Balance, und überstrecken Sie sich nicht.
- ◆ Führen Sie die Säge nicht in einen vorhandenen Schneidspalt ein. Hierdurch kann ein Rückschlag verursacht werden. Führen Sie stets einen neuen Schnitt durch.
- ◆ Es wird dringend davon abgeraten, die Kettensäge in einem Baum, auf einer Leiter oder auf einer anderen instabilen Fläche zu betreiben. Wenn Sie sich dennoch hierzu entschließen, sollten Sie sich der erhöhten Unfall- und Verletzungsgefahr bewusst sein.
- ◆ Achten Sie beim Durchtrennen eines Asts unter Spannung darauf, dass Sie nicht von zurückschnellendem Holz getroffen werden.

### Folgendes ist zu beachten:

- ◆ Sägen Sie kein vorbehandeltes Holz.
- ◆ Berühren Sie mit laufender Kette nicht den Boden.



Das Schwingungsniveau kann das angegebene Niveau übersteigen.

Für die Ermittlung der Vibrationsbelastung müssen die tatsächlichen Einsatzbedingungen und Verwendungen des Geräts während des gesamten Arbeitsgangs berücksichtigt werden, einschließlich der Zeiten, wenn das Gerät nicht verwendet oder im Leerlauf betrieben wird. Diese Werte werden benötigt, um die gemäß 2002/44/EG erforderlichen Sicherheitsmaßnahmen zum Schutz von Personen festlegen zu können.

### Etiketten am Werkzeug

Am Gerät sind die folgenden Piktogramme inkl. Datumscode angebracht:



**Warnung!** Zur Reduzierung der Verletzungsgefahr muss der Benutzer die Betriebsanleitung lesen.



Verwenden Sie die Säge nicht in nasser Umgebung, und schützen Sie sie vor Regen.



Tragen Sie stets Kopf-, Hör- und Augenschutz.



Tragen Sie immer eine Staubmaske.



Tragen Sie immer Handschuhe.



Tragen Sie stets rutschfestes, sicheres Schuhwerk.



Halten Sie die Säge immer mit beiden Händen fest.



Seien Sie auf einen Rückschlag der Kettensäge vorbereitet und vermeiden Sie den Kontakt mit der Spitze des Führungsschwerts.



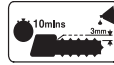
Verwenden Sie die Kettensäge nicht nur mit einer Hand.



Schalten Sie das Werkzeug aus. Entfernen Sie vor jeglichen Wartungsarbeiten den Akku aus dem Gerät.



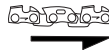
Achten Sie auf herabfallende Gegenstände. Halten Sie andere Personen fern.



Um ein kontinuierlich sicheres Arbeiten zu gewährleisten, kontrollieren Sie die Kettenspannung wie in diesem Handbuch beschrieben nach jeweils 10 Minuten Betrieb der Kettensäge. Stellen Sie die Kettenspannschraube ggf. wieder auf die vorgeschriebenen 3 mm Spiel ein. Ölen Sie die Kette nach jeweils 10 Minuten Betrieb.



**Warnung!** Greifen Sie nicht am Spanauswurf in die Kette.



Drehrichtung der Kette.



Um ein kontinuierlich sicheres Arbeiten zu gewährleisten, dürfen Kette und Führungsschwert ausschließlich durch Originalersatzteile von STANLEY FATMAX ersetzt werden. Teilenummer der Ersatzkette: A6158, Teilenummer des Ersatzführungsschwerts: 90619609.



Garantierte Schalleistung laut Richtlinie 2000/14/EG.

### Zusätzliche Sicherheitshinweise für Akkus und Ladegeräte

#### Akkus

- ◆ Keinesfalls versuchen, den Akku zu öffnen.
- ◆ Achten Sie darauf, dass der Akku nicht mit Wasser in Berührung kommt.
- ◆ Setzen Sie den Akku keinen hohen Temperaturen aus.
- ◆ Nicht bei Temperaturen über 40 °C lagern.
- ◆ Laden Sie den Akku nur bei Umgebungstemperaturen von 10 °C bis 40 °C.
- ◆ Verwenden Sie ausschließlich das mit dem Gerät gelieferte Ladegerät. Das Verwenden eines falschen Ladegeräts kann zu einem Stromschlag oder dem Überhitzen des Akkus führen.
- ◆ Beachten Sie bei der Entsorgung von Batterien und Akkus die Hinweise im Abschnitt "Umweltschutz".
- ◆ Der Akku darf nicht durch mechanische Krafteinwirkung oder Belastungen beschädigt oder verformt werden. Andernfalls besteht Verletzungs- und Brandgefahr.
- ◆ Laden Sie beschädigte Akkus nicht auf.

**Unter extremen Bedingungen können Akkus undicht werden. Wenn Sie feststellen, dass aus der Batterie Flüssigkeit austritt, wischen Sie diese vorsichtig mit einem Tuch ab.** Vermeiden Sie Hautkontakt.

Beachten Sie nach Haut- oder Augenkontakt die folgenden Hinweise.

**Warnung! Batteriesäure kann Sach- oder Personenschäden verursachen.** Spülen Sie die Säure bei Hautkontakt sofort mit Wasser ab. Suchen Sie einen Arzt auf, wenn sich auf der Haut Rötungen, Reizungen oder andere Irritationen zeigen. Spülen Sie das Auge nach Augenkontakt sofort mit sauberem Wasser aus und suchen Sie einen Arzt auf.

### Ladegeräte

**Warnung! Das Ladegerät ist für eine bestimmte Spannung ausgelegt.** Stellen Sie sicher, dass die Netzspannung der auf dem Typenschild des Geräts angegebenen Spannung entspricht.

**Warnung!** Ersetzen Sie das Ladegerät keinesfalls durch ein normales Netzkabel.

- ◆ Verwenden Sie das STANLEY FATMAX Ladegerät nur für den Akku des Geräts/Werkzeugs, mit dem es geliefert wurde. Andere Akkus könnten bersten und Verletzungen und Sachschäden verursachen.
- ◆ Versuchen Sie keinesfalls, nicht aufladbare Batterien zu laden.
- ◆ Ist das Netzkabel beschädigt, muss es durch den Hersteller oder eine STANLEY FATMAX Vertragswerkstatt ausgetauscht werden, um eine mögliche Gefährdung zu vermeiden.
- ◆ Achten Sie darauf, dass das Ladegerät nicht mit Wasser in Berührung kommt.
- ◆ Versuchen Sie nicht, das Ladegerät zu öffnen.
- ◆ Nehmen Sie am Ladegerät keine Veränderungen vor.
- ◆ Während der Akku geladen wird, muss auf ausreichende Belüftung geachtet werden.

### Warnsymbole auf dem Ladegerät

Am Ladegerät sind die folgenden Symbole angebracht:



Das Ladegerät darf nur im Innenbereich verwendet werden.



Vor Gebrauch die Anleitung lesen.

### Elektrische Sicherheit



Das Ladegerät ist schutzisoliert, daher ist keine Erdleitung erforderlich. Stellen Sie sicher, dass die Netzspannung der auf dem Typenschild des Geräts angegebenen Spannung entspricht. Ersetzen Sie das Ladegerät keinesfalls durch ein normales Netzkabel.

- ◆ Bei einer Beschädigung des Netzkabels muss dieses durch den Hersteller oder eine STANLEY FATMAX Vertragswerkstatt ausgetauscht werden, um mögliche Gefahren zu vermeiden.

### Merkmale

1. EIN-/AUS-Schalter
2. Sicherungshebel
3. Kettenbremse / vorderer Handschutz
4. Führungsschwert
5. Sägekette
6. Kettenradabdeckung
7. Schwertsicherungsmutter
8. Kettenspannschraube
9. Ölbehälterdeckel
10. Ölpegelanzeige
11. Messerschutz
12. Hinterer Griff
13. Vorderer Handgriff
14. Akku
15. Akku-Löseknopf
16. Innensechskantschlüssel
17. Sechskantschlüsselaufbewahrung

### Montage

**Warnung!** Entfernen Sie vor der Montage den Akku (14) aus dem Gerät.

### Laden des Akkus (Abb. A)

Der Akku muss vor der erstmaligen Benutzung sowie immer dann aufgeladen werden, wenn das Gerät nicht mehr mit voller Leistung arbeitet. Der Akku kann sich während des Aufladens erwärmen. Das ist normal und deutet nicht auf ein Problem hin.

**Warnung!** Laden Sie den Akku nicht, wenn die Umgebungstemperatur unter 10 °C oder über 40 °C liegt. Empfohlene Ladetemperatur: ca. 24 °C.

**Hinweis:** Ein Akku, bei dem die Temperatur der Akkuzellen unter ca. 10 °C oder über 40 °C liegt, wird vom Ladegerät nicht geladen.

Lassen Sie in diesem Fall den Akku im Ladegerät. Das Ladegerät beginnt automatisch mit dem Ladevorgang, sobald sich die Zellen erwärmt bzw. abgekühlt haben.

- ◆ Um den Akku (14) zu laden, setzen Sie ihn in das Ladegerät (18) ein. Er kann nur auf eine Weise richtig in das Ladegerät eingesetzt werden. Erzwingen Sie den Arbeitsvorgang nicht. Vergewissern Sie sich, dass der Akku ordnungsgemäß im Ladegerät steckt.
- ◆ Schließen Sie das Ladegerät an eine Steckdose an und schalten Sie die Stromversorgung ein.







Die Ladeanzeige (18a) blinkt.

Der Ladevorgang ist abgeschlossen, wenn die Ladeanzeige (18a) dauerhaft leuchtet. Der Akku kann beliebig lange im Ladegerät verbleiben. Die LED-Anzeige leuchtet auf, wenn der Akku gelegentlich nachgeladen wird.

- ◆ Ein entladener Akku sollte innerhalb einer Woche wieder aufgeladen werden.

Die Lebensdauer des Akkus wird erheblich reduziert, wenn dieser in entladenerem Zustand aufbewahrt wird.

### LED-Modi des Ladegeräts

	<b>Wird geladen:</b> Grüne LED blinkt	
	<b>Vollständig aufgeladen:</b> Grüne LED leuchtet dauerhaft	
	<b>Verzögerung heißer/kalter Akku:</b> Grüne LED blinkt Rote LED leuchtet dauerhaft	

**Hinweis:** Diese/s kompatible/n Ladegeräte/e lädt keine defekten Akkus auf. Das Ladegerät zeigt einen defekten Akku dadurch an, dass es nicht leuchtet.

**Hinweis:** Dies kann auch auf ein Problem mit dem Ladegerät hinweisen. Wenn das Ladegerät auf ein Problem hinweist, bringen Sie es zusammen mit dem Akku zur Überprüfung zu einer autorisierten Servicestelle.

### Belassen des Akkus im Ladegerät

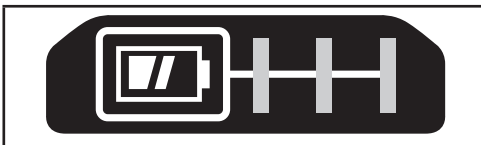
Sie können den Akku auch im Ladegerät belassen. In diesem Fall leuchtet die LED-Anzeige dauerhaft. Das Ladegerät hält den Akku in einem vollständig geladenen Zustand.

### Verzögerung bei heißem/kaltem Akku

Wenn das Ladegerät einen zu heißen oder zu kalten Akku erkennt, startet es automatisch die Verzögerung heißer/kalter Akku. Die grüne LED (18a) blinkt dann mit Unterbrechungen, während die rote LED (8b) kontinuierlich leuchtet und den Ladevorgang bis zum Ende des Ladevorgangs unterbricht, bis der Akku eine angemessene Temperatur erreicht hat. Das Ladegerät schaltet dann automatisch in den Lademodus. Diese Funktion gewährleistet eine maximale Lebensdauer des Akkus.

### Akkuladestandsanzeige (Abb. B)

Der Akku besitzt eine Ladestandsanzeige, mit der die Lebensdauer der Batterie wie in Abbildung B dargestellt schnell ermittelt werden kann. Durch Drücken der Ladezustands-Taste (14a) können Sie die im Akku verbleibende Ladung wie in Abbildung B dargestellt anzeigen.



### Anbringen und Entfernen der Akkus (Abb. L)

**Warnung!** Achten Sie darauf, dass sich das Werkzeug/Gerät in der Position „Aus“ befindet, bevor Sie den Akku einsetzen.

**Hinweis:** Um beste Ergebnisse zu erzielen, sollte der Akku vollständig aufgeladen werden.

- ◆ Um den Akku (14) in den Griff des Werkzeugs einzusetzen, richten Sie den Akku an den Schienen im Griff des Werkzeugs aus und schieben ihn in den Griff, bis der Akku fest im Werkzeug sitzt, und achten Sie darauf, dass er sich nicht lösen kann.
- ◆ Um den Akku aus dem Werkzeug zu entnehmen, drücken Sie den Akku-Löseknopf (15) und ziehen den Akku kräftig aus dem Werkzeuggriff. Legen Sie ihn wie im Abschnitt „Ladegerät“ dieser Betriebsanleitung beschrieben in das Ladegerät.

### Montage von Führungsschwert und Sägekette

#### (Abb. D-H)

**Warnung!** Scharfe Kette. Tragen Sie beim Umgang mit der Sägekette immer Schutzhandschuhe. Die Kette ist scharf und kann auch in ruhendem Zustand zu Schnittverletzungen führen.

**Warnung!** Scharfe, bewegliche Kette. Um versehentlichen Betrieb zu verhindern, stellen Sie sicher, dass der Akku aus dem Werkzeug entfernt wurde, bevor Sie die folgenden Schritte ausführen. Eine Nichtbeachtung kann zu ernsthaften Verletzungen führen.

Wenn die Sägekette (5) und das Führungsschwert (4) separat im Karton verpackt sind, muss erst die Kette am Schwert und dann beide zusammen am Werkzeugkörper befestigt werden.

- ◆ Setzen Sie die Säge auf eine flache, stabile Oberfläche.
- ◆ Drehen Sie die Schwertsicherungsmutter (7) mit dem mitgelieferten Sechskantschraubenschlüssel (16) gegen den Uhrzeigersinn.
- ◆ Entfernen Sie die Kettenradabdeckung (6) und die Schwertsicherungsmutter (7).
- ◆ Tragen Sie Schutzhandschuhe, nehmen Sie die Sägekette (5) und wickeln Sie sie um das Führungsschwert (4), wobei die Zähne in die richtige Richtung weisen müssen (Abb. H).
- ◆ Stellen Sie sicher, dass die Kette um die gesamte Führungsschiene herum richtig in dem Schlitz sitzt.
- ◆ Bringen Sie die Sägekette um das Kettenrad (19) herum an. Richten Sie den Schlitz am Führungsschwert wie in Abb. E gezeigt am Kettenspannstift (20) und der Schraube (21) unten am Werkzeug aus.
- ◆ Wenn das Schwert eingesetzt ist, bringen Sie die Kettenradabdeckung (6) wieder an. Bringen Sie zuerst das hintere Teil der Ritzelabdeckung an, drehen Sie es nach unten und achten Sie darauf, dass das Schraubenloch an der Abdeckung an der Schraube (21) am Hauptgehäuse ausgerichtet ist.

- ◆ Bringen Sie die Schwertsicherungsmutter (7) an und schrauben Sie sie mit dem mitgelieferten (16) Sechskantschraubenschlüssel, bis sie bündig ist, lösen Sie dann die Mutter um eine volle Umdrehung, damit die Sägekette richtig gespannt werden kann.
- ◆ Drehen Sie die Kettenspannschraube (8) wie in Abb. D gezeigt im Uhrzeigersinn, um die Spannung zu erhöhen. Achten Sie darauf, dass die Sägekette (5) fest um das Führungsschwert (4) sitzt. Ziehen Sie die Schwertsicherungsmutter (7) fest, bis sie bündig sitzt.
- ◆ Folgen Sie den Anweisungen im Abschnitt „Anpassen der Kettenspannung“.

### Anpassen der Kettenspannung (Abb. D-H)

**Warnung!** Eine falsch gespannte Sägekette kann dazu führen, dass sich die Sägekette vom Führungsschwert löst, was zu schweren oder tödlichen Verletzungen führen kann.

**Hinweis:** Die Spannung der Sägekette sollte regelmäßig vor jeder Verwendung justiert werden.

- ◆ Platzieren Sie die Kettensäge auf einer ebenen, festen Oberfläche und überprüfen Sie dann die Spannung der Sägekette (5). Die Spannung ist korrekt, wenn die Sägekette zurückschnappt, nachdem sie wie in Abb. F gezeigt mit leichtem Kraftaufwand von Mittelfinger und Daumen (3 mm) vom Führungsschwert (4) weggezogen wurde. Es darf an der Unterseite keinen „Durchhang“ zwischen dem Führungsschwert und der Sägekette geben, siehe Abb. G.
- ◆ Lösen Sie zum Einstellen der Kettenspannung die Schwertsicherungsmutter (7).
- ◆ Drehen Sie die Kettenspannschraube (8) an der Vorderseite des Gehäuses mit dem flachen Ende des Sechskantschraubenschlüssels (16).
- ◆ Prüfen Sie die Spannung der Sägekette und passen Sie sie bei Bedarf an.
- ◆ Überspannen Sie die Sägekette nicht. Dies würde den Verschleiß erhöhen und die Lebensdauer von Führungsschwert und Sägekette verkürzen. Eine zu hohe Spannung verringert auch die Anzahl der Schnitte, die Sie pro Akkuladung durchführen können.
- ◆ Wenn die Spannung der Sägekette korrekt ist, ziehen Sie die Schwertsicherungsmutter (7) bündig an. Ziehen Sie die Schwertsicherungsmutter (7) mit einem Drehmoment von 8 Nm fest.
- ◆ Eine neue Kette dehnt sich in den ersten Betriebsstunden noch etwas. Es ist daher wichtig, die Spannung während der ersten zwei Betriebsstunden häufig zu überprüfen (nach dem Trennen des Akkus Abnehmen des Akkupacks).

### Ersetzen der Sägekette (Abb. D-H)

**Warnung!** Scharfe, bewegliche Kette.

Um versehentlichen Betrieb zu verhindern, stellen Sie sicher, dass der Akku aus dem Werkzeug entfernt wurde, bevor Sie die folgenden Schritte ausführen. Eine Nichtbeachtung kann zu ernsthaften Verletzungen führen.

**Vorsicht:** Scharfe Kette. Tragen Sie beim Umgang mit der Sägekette immer Schutzhandschuhe. Die Kette ist scharf und kann auch in ruhendem Zustand zu Schnittverletzungen führen.

**Vorsicht:** Die Kettengeschwindigkeit dieses Produkts beträgt 8,6 m/s. Verwenden Sie nur Ketten, die für eine Geschwindigkeit über 8,6 m/s ausgelegt sind.

- ◆ Setzen Sie die Säge auf eine flache, stabile Oberfläche.
- ◆ Nehmen Sie die Kettenradabdeckung (6) wie in Abschnitt „Montage von Führungsschwert und Sägekette“ beschrieben ab.
- ◆ Zum Entfernen der Sägekette (5) die Kettenspannschraube (8) an der Vorderseite des Gehäuses mit dem flachen Ende des Schraubenschlüssels drehen. Drehen Sie die Schraube gegen den Uhrzeigersinn, um das Führungsschwert (4) zurückzuführen und die Spannung der Sägekette zu vermindern, so dass Sie sie abnehmen können.
- ◆ Greifen Sie die Sägekette mit Schutzhandschuhen und heben Sie die verschlissene Sägekette aus der Nut in dem Führungsschwert.
- ◆ Drehen Sie das Führungsschwert bei jedem Kettenwechsel um, um einen gleichmäßigen Verschleiß zu gewährleisten.
- ◆ Legen Sie eine neue Kette in den Schlitz des Führungsschwerts. Stellen Sie dabei sicher, dass die Sägezähne in die richtige Richtung zeigen. Dazu muss der Pfeil auf der Sägekette mit der Darstellung auf der Kettenradabdeckung (6) übereinstimmen, siehe Abb. H.
- ◆ Beachten Sie die Anweisungen unter „Montage von Führungsschwert und Sägekette“.

Ersatzketten und -sageschwerter erhalten Sie bei Ihrer nächstgelegenen autorisierten Kundendienststelle.

Für diese Kettensäge ist eine Ersatzkette von 304 mm erforderlich.

Ersatzschwert (304 mm).

### Ölen von Sägekette und Führungsschwert (Abb. I)

#### Automatisches Ölungssystem

Diese Kettensäge ist mit einem automatischen Ölungssystem ausgestattet, das Sägekette und Führungsschwert beständig mit Öl schmiert.

Die Ölpegelanzeige (10) zeigt den Ölpegel in der Kettensäge an. Wenn der Ölbehälter weniger als ein Viertel voll ist, nehmen Sie den Akku von der Kettensäge ab und füllen den Ölbehälter mit dem richtigen Öltyp auf.

Nach dem Sägen muss der Ölbehälter immer geleert werden. Leeren Sie immer den Öltank, bevor Sie das Gerät einlagern.

**Hinweis:** Diese Kettensäge darf nicht ohne Öl betrieben werden.

**Hinweis:** Verwenden Sie für Sägeschwert und Kette immer hochwertiges, biologisch abbaubares Sägekettenöl, damit die Teile optimal geschmiert werden. Für das Beschneiden von Bäumen wird Schwert- und Kettenöl auf Pflanzenbasis empfohlen, da Öle auf Mineralbasis lebenden Bäumen schaden können. Verwenden Sie niemals schmutziges, gebrauchtes oder kontaminiertes Öl. Andernfalls kann das Werkzeug beschädigt werden.

### Auffüllen des Ölbehälters

- ◆ Schrauben Sie den Ölbehälterdeckel (9) gegen den Uhrzeigersinn ab und nehmen Sie ihn dann ab. Füllen Sie den Behälter mit dem empfohlenen Öl, bis der Ölpegel die oberste Markierung der Ölpegelanzeige (10) erreicht hat.
- ◆ Ölbehälterdeckel wieder aufsetzen und im Uhrzeigersinn anziehen.
- ◆ Schalten Sie die Kettensäge regelmäßig aus und überprüfen Sie die Ölpegelanzeige, um sicherzustellen, dass Sägeschwert und Kette ordnungsgemäß geölt werden. Schalten Sie die Kettensäge regelmäßig aus und überprüfen Sie die Ölpegelanzeige, um sicherzustellen, dass Sägeschwert und Kette ordnungsgemäß geölt werden.

### Transportieren der Kettensäge (Abb. J)

- ◆ Schalten Sie das Gerät immer aus, nehmen Sie den Akku heraus und decken Sie das Führungsschwert (4) mit dem Messerschutz (11) ab, wenn Sie die Säge transportieren.

### Betrieb

**Warnung!** Um die Gefahr schwerer Verletzungen zu mindern, schalten Sie das Gerät aus und entfernen Sie den Akku, bevor Sie Einstellungen vornehmen oder Anbaugeräte oder Zubehör anbringen oder entfernen. Ungewolltes Anlaufen kann Verletzungen verursachen.

### Richtige Haltung der Hände (Abb. K)

**Warnung!** Um die Gefahr schwerer Verletzungen zu mindern, beachten Sie immer die richtige Haltung der Hände, wie dargestellt.

**Warnung!** Um die Gefahr schwerer Verletzungen zu mindern, halten Sie das Gerät immer sicher fest und seien Sie auf eine plötzliche Reaktion gefasst.

Bei der korrekten Handposition liegt die linke Hand auf dem vorderen Griff (13) und die rechte auf dem hinteren Griff (12).

### Bedienung der Kettensäge (Abb. K)

**Warnung!** Lesen und verstehen Sie alle Anweisungen. Wenn Sie die folgenden Anweisungen nicht beachten, kann es zu elektrischem Schlag, Feuer und/oder schweren Verletzungen kommen.

- ◆ Seien Sie auf Rückschlag vorbereitet, der zu schweren Verletzungen oder zum Tod führen kann. Siehe „Allgemeine Sicherheitswarnhinweise für Elektrowerkzeuge“ und „Allgemeine Sicherheitswarnhinweise für Kettensägen“ und „Ursachen und Vermeidung des Rückschlageffekts durch den Bediener“ sowie „Sicherheitsmaßnahmen gegen Rückschlag“, um Rückschlagrisiken zu vermeiden.
- ◆ Vermeiden Sie eine anormale Körperhaltung. Nicht über Brusthöhe sägen. Achten Sie auf festen Stand. Stellen Sie die Füße in ausreichendem Abstand nebeneinander. Verteilen Sie Ihr Gewicht gleichmäßig auf beide Füße.
- ◆ Halten Sie mit der linken Hand den vorderen Griff (13) und mit der rechten Hand den hinteren Griff (12) gut fest, so dass sich Ihr Körper links vom Führungsschwert (4) befindet.
- ◆ Halten Sie die Kettensäge nicht an der Kettenbremse / am vorderen Handschutz (3). Drücken Sie den Ellbogen des linken Arms durch, so dass der linke Arm gerade ist, um einem Rückschlag standzuhalten.

**Warnung!** Greifen Sie niemals über Kreuz (linke Hand am hinteren Griff und rechte Hand am vorderen Griff).

**Warnung!** Achten Sie darauf, dass sich bei der Bedienung der Kettensäge kein Teil Ihres Körpers in einer Linie mit dem Führungsschwert befindet.

- ◆ Arbeiten Sie niemals in einem Baum, in einer unbequemen Position, auf einer Leiter oder einer anderen instabilen Oberfläche. Wenn Sie die Kontrolle über die Säge verlieren, sind schwere Verletzungen die Folge.
- ◆ Lassen Sie die Kettensäge beim Sägen immer mit voller Geschwindigkeit laufen.
- ◆ Lassen Sie die Sägekette für Sie arbeiten. Üben Sie nur leichten Druck aus. Üben Sie keinesfalls Druck auf die Kettensäge aus, wenn das Ende des Schnitts naht.

**Warnung!** Bei Nichtgebrauch stets die Kettenbremse aktivieren und den Akku entnehmen.

### Einstellung der Kettenbremse (Abb. K, L)

Ihre Kettensäge ist mit einem Kettenbremssystem ausgerüstet, das die Kette bei einem Rückschlag schnell anhält.

- ◆ Stellen Sie sicher, dass sich die Kettenbremse/der vordere Handschutz (3) in der vorderen Position befindet.
- ◆ Setzen Sie den Akku (14) in das Werkzeug ein.
- ◆ Ziehen Sie die Kettenbremse/den vorderen Handschutz (3) wie in Abbildung L gezeigt zum vorderen Handgriff (13) in die „eingestellte/bereite“ Position.
- ◆ Das Gerät ist nun betriebsbereit.
- ◆ Bringen Sie die Kettenbremse/den vorderen Handschutz nach Gebrauch wieder in die vordere Position.
- ◆ Entfernen Sie den Akku.

**Hinweis:** Im Fall eines Rückschlags berührt Ihre linke Hand die vordere Schutzvorrichtung (Handschutz) und schiebt diese nach vorne in Richtung des Werkstücks. Dadurch wird das Werkzeug angehalten.

### Testen der Kettenbremse (Abb. L)

Testen Sie die Kettenbremse vor jeder Benutzung, um sicherzustellen, dass sie ordnungsgemäß funktioniert.

- ◆ Setzen Sie das Werkzeug auf eine flache, stabile Oberfläche. Stellen Sie sicher, dass die Sägekette (5) nicht den Boden berührt.
- ◆ Halten Sie das Werkzeug mit beiden Händen fest und schalten Sie die Säge ein.
- ◆ Drehen Sie die linke Hand nach vorne um den vorderen Handgriff (13), sodass der Handrücken die Kettenbremse/ den vorderen Handschutz (3) berührt, und schieben Sie sie nach vorne in Richtung des Werkstücks. Die Sägekette sollte sofort anhalten.

**Hinweis:** Wenn die Säge nicht sofort anhält, halten Sie das Werkzeug an und bringen Sie es zu Ihrer nächstgelegenen autorisierten Kundendienststelle.

**Warnung!** Achten Sie darauf, die Kettenbremse vor dem Sägen einzustellen.

### Ein-/Ausshalter (Abb. M)

Stellen Sie immer sicher, dass Sie festen Stand haben, und fassen Sie die Kettensäge fest mit beiden Händen, so dass Daumen und Finger beide Handgriffe umfassen.

- ◆ Zum Einschalten des Geräts drücken Sie den Sicherungshebel (2), siehe Abb. M, herunter und drücken den Auslöseschalter (1) herein. Wenn das Gerät in Betrieb ist, können Sie den Sicherungshebel loslassen.
- ◆ Um das Gerät in Betrieb zu halten, müssen Sie den Auslöseschalter gedrückt halten. Zum Ausschalten des Gerätes lassen Sie den Auslöseschalter los.

### Schärfen der Sägekette (Abb. N-P)

**Vorsicht:** Scharfe Kette. Tragen Sie beim Umgang mit der Sägekette immer Schutzhandschuhe. Die Kette ist scharf und kann auch in ruhendem Zustand zu Schnittverletzungen führen.

**Warnung!** Scharfe, bewegliche Kette. Um versehentlichen Betrieb zu verhindern, stellen Sie sicher, dass der Akku aus dem Werkzeug entfernt wurde, bevor Sie die folgenden Schritte ausführen. Eine Nichtbeachtung kann zu ernsthaften Verletzungen führen.

**Hinweis:** Die Zähne werden sofort stumpf, wenn sie beim Sägen den Boden oder einen Nagel berühren.

Um eine optimale Schneidleistung der Kettensäge zu erhalten, muss die Sägekette regelmäßig geschärft werden. Befolgen Sie diese Hinweise zum richtigen Schärfen der Säge:

- ◆ Für beste Ergebnisse verwenden Sie eine 4,5 mm-Feile und einen Feilenhalter oder eine Führung, um die Sägekette zu schärfen. Dadurch erhalten Sie immer die richtigen Schärfwinkel.
- ◆ Legen Sie den Feilenhalter flach auf die obere Platte und den Tiefenbegrenzer der Zähne.
- ◆ Bewahren Sie beim Feilen der oberen Platte (22) den richtigen Winkel von 30° Ihrer Feilenführung bei, so dass sie parallel zur Kette liegt (feilen Sie von der Seite her gesehen im 60°-Winkel von der Kette).
- ◆ Schärfen Sie die Zähne zuerst auf einer Seite der Kette. Feilen Sie von der Innenseite jedes Zahns nach außen. Drehen Sie dann die Säge um und wiederholen Sie die Vorgänge (2, 3, 4) für die Zähne auf der anderen Seite der Kette.

**Hinweis:** Verwenden Sie eine flache Feile, um die Spitzen der kleinen Streben (Teile der Kettenglieder vor den Zähnen) zu feilen, also ungefähr 0,635 mm unter den Spitzen der Zähne, wie nachfolgend gezeigt.

- ◆ Halten Sie alle Glieder gleich lang, wie in Abb. O gezeigt.
- ◆ Falls auf der Chromoberfläche der oberen oder seitlichen Platten Beschädigungen vorhanden sind, feilen Sie diese ab, bis die Beschädigungen entfernt sind.

**Vorsicht:** Nach dem Feilen sind die Zähne sehr scharf; seien Sie daher während dieses Vorgangs besonders vorsichtig.

**Hinweis:** Bei jedem Schärfen verliert die Kette etwas von ihrer Fähigkeit zur Rückschlagreduzierung, daher sollte bei der Arbeit besonders vorsichtig vorgegangen werden. Es wird empfohlen, eine Sägekette höchstens viermal zu schärfen.

### Sechskantschlüsselaufbewahrung (Abb. Q)

Wenn Sie den Sechskantschlüssel (16) nicht verwenden, sollten Sie ihn in der Sechskantschlüsselaufbewahrung (17) an der Werkzeugunterseite aufbewahren. Ziehen Sie den Sechskantschlüssel aus der Sechskantschlüsselaufbewahrung, um ihn zu entfernen. Schieben Sie den Sechskantschlüssel in die Sechskantschlüsselaufbewahrung, um ihn aufzubewahren.

### Stanley Track Wall System (Abb. R, S)

**Warnung!** Um die Gefahr schwerer Verletzungen zu mindern, schalten Sie das Gerät aus und entfernen Sie den Akku, bevor Sie Einstellungen vornehmen oder Anbaugeräte oder Zubehör anbringen oder entfernen. Ungewolltes Anlaufen kann Verletzungen verursachen.

**Warnung!** Um die Gefahr schwerer Verletzungen zu verringern, verwenden Sie die integrierten Stanley Track Wall System-Haken oder das Stanley Track Wall System nicht, wenn sie Beschädigungen aufweisen. Wenn der integrierte Stanley Track Wall System-Haken oder das Stanley Track Wall System Beschädigungen aufweisen, kann das System das Gewicht des Werkzeugs nicht tragen.

**Warnung!** Halten Sie zur Vermeidung von schweren Verletzungen das Werkzeug NIE über Kopf und hängen Sie keine Gegenstände an dem integrierten Haken auf. Hängen Sie das Werkzeug NUR mit dem integrierten Haken am Stanley Track Wall System auf.

**Warnung!** Der integrierte Haken des Stanley Track Wall Systems ist nur zur Befestigung des Werkzeugs an einer Schiene des Stanley Track Wall Systems vorgesehen. Verwenden Sie den integrierten Haken nicht zur Befestigung des Werkzeugs an einer anderen Oberfläche.

**Warnung!** Der integrierte Haken des Stanley Track Wall System ist kein Gürtelhaken.

**Warnung!** Wenn Sie Gegenstände an einer Schiene des Stanley Track Wall Systems aufhängen, sollte zwischen den Werkzeugen ein angemessener Abstand eingehalten werden, um 35 kg pro laufendem Meter nicht zu überschreiten.

**Warnung!** Bringen Sie den integrierten Haken des Stanley Track Wall Systems vor der Verwendung des Werkzeugs erst wieder in seine ursprüngliche Position.

**Wichtig:** Mit dem Stanley Track Wall System-Zubehör können passende Werkzeuge sicher am Stanley Track Wall System befestigt werden.

Schalten Sie das Werkzeug aus, entfernen Sie den Akku und nehmen Sie das Zubehör ab.

Montieren Sie den Messerschutz (11) am Führungsschwert (4).

**Vorsicht:** Jedes Produkt mit freiliegenden Schneidzähnen muss sicher abgedeckt werden, wenn es an dem Stanley Track Wall System verwendet werden soll.

Befestigen Sie den integrierten Haken (23) wie in Abb. R, S gezeigt an dem Stanley Track Wall System. Wenn er richtig eingerastet ist, ist ein Klicken zu hören.

**Hinweis:** Zubehör für das Stanley Track Wall System können Sie bei Ihrer nächsten Kundendienststelle oder einer autorisierten Kundendienstwerkstatt erwerben.

## Allgemeine Sägetechniken

### Fällen (Abb. T, U)

Das Sägen eines Baums, so dass er umfällt. Füllen Sie Bäume nicht bei starkem Wind.

**Warnung!** Beim Füllen kann es zu Verletzungen kommen. Diese Arbeit sollte nur von einer geschulten Person durchgeführt werden.

Es sollte ein Rückzugsweg geplant und freigeräumt werden, bevor mit dem Sägen begonnen wird. Der Rückzugsweg sollte sich rückwärts gerichtet und diagonal zur Rückseite der erwarteten Falllinie erstrecken, siehe folgende Darstellung.

- ◆ Bevor das Füllen beginnt, betrachten Sie die natürliche Neigung des Baums, die Position von größeren Ästen und die Windrichtung, um zu beurteilen, wie der Baum voraussichtlich fallen wird.

Halten Sie Keile (Holz, Kunststoff oder Aluminium) und einen schwerer Hammer bereit. Entfernen Sie Schmutz, Steine, lose Rinde, Nägel, Klammern und Draht aus dem Baum, wo die Säge angesetzt werden soll.

- ◆ Einkerbender Hinterschnitt - Machen Sie eine Kerbe mit 1/3 des Durchmessers des Baums, senkrecht zur Fallrichtung. Machen Sie zuerst den unteren horizontalen Kerbschnitt. Dadurch wird verhindert, dass entweder die Sägekette oder das Führungsschwert eingequetscht wird, wenn der zweite Kerbschnitt vorgenommen wird, siehe folgende Darstellung.
- ◆ Fällschnitt an der Rückseite - Machen Sie den Fällschnitt an der Rückseite mindestens 51mm höher als den horizontalen Kerbschnitt. Halten Sie den Fällschnitt an der Rückseite parallel zum horizontalen Kerbschnitt. Nehmen Sie den Fällschnitt an der Rückseite so vor, dass genug Holz bleibt, das als "Scharnier" dienen kann. Das Scharnierholz bewahrt den Baum davor, dass er sich verdreht und in die falsche Richtung fällt. Schneiden Sie das Scharnierholz nicht durch, siehe folgende Darstellung.
- ◆ Sobald der Fällschnitt sich dem Scharnier nähert, beginnt der Baum zu fallen. Falls die Möglichkeit besteht, dass der Baum nicht in die gewünschte Richtung fällt oder er zurückkippt und die Sägekette einklemmt, beenden Sie den Schnitt, bevor der Fällschnitt vollständig ist. Verwenden Sie denn die Keile, um den Schnitt offen zu halten, und lassen Sie den Baum entlang der gewünschten Linie fallen. Wenn der Baum zu fallen beginnt, entfernen Sie die Kettensäge aus dem Schnitt, schalten Sie den Motor aus, setzen Sie die Kettensäge ab und verwenden Sie den geplanten Rückzugsweg. Achten Sie auf herunterfallende Äste und achten Sie darauf, wo Sie hintreten.

### Entasten (Abb. V)

Entfernen der Äste eines umgestürzten Baums. Lassen Sie beim Entasten dickere untere Äste stehen, um den Stamm vom Boden abzuhalten. Entfernen Sie kleine Äste mit einem Schnitt. Äste, die unter Spannung stehen, sollten von der Unterseite her nach oben gesägt werden, um zu verhindern, dass die Kettensäge steckenbleibt, siehe Abb. V. Beschneiden Sie Äste von der gegenüberliegenden Seite her, so dass sich der Baumstamm zwischen Ihnen und der Säge befindet. Sägen Sie niemals mit der Säge zwischen Ihren Beinen, und stehen Sie niemals mit gespreizten Beinen über dem zu sägenden Ast.

### Ablängen (Abb. W, X, Y, Z)

**Warnung!** Es empfiehlt sich, diese Art von Schnitten zuerst mit einem Sägebock zu üben.

Schneiden Sie einen gefällten Baum oder Stamm der Länge nach durch.

Wie der Schnitt ausgeführt werden sollte, hängt davon ab, wie das Holzstück gestützt wird. Verwenden Sie nach Möglichkeit einen Sägebock, siehe Abb. W.

- ◆ Zu Beginn des Schnitts muss die Sägekette immer mit voller Geschwindigkeit laufen.
- ◆ Setzen Sie die untere Spitze der Kettensäge wie in Abb. W gezeigt hinter den Bereich des Anfangsschnitts.
- ◆ Schalten Sie die Kettensäge ein, drehen Sie dann die Sägekette und das Sägeschwert in den Baum, wobei die Spitze als Scharnier dient.
- ◆ Sobald die Kettensäge einen Winkel von 45 ° erreicht hat, halten Sie die Kettensäge wieder gerade und wiederholen Sie diese Schritte, bis der Schnitt vollständig ist.
- ◆ Wenn der Baum über seine gesamte Länge gestützt wird, siehe Abb. X, machen Sie einen Schnitt von der Oberseite her, aber vermeiden Sie dabei, in die Erde zu schneiden, da sonst die Säge stumpf wird.
- ◆ Während das Holz an einem Ende abgestützt wird, siehe Abb. Y, schneiden Sie zuerst 1/3 des Durchmessers von der Unterseite her. Nehmen Sie dann den abschließenden Schnitt von oben her so vor, dass er auf den ersten Schnitt trifft, siehe Abb. Y.
- ◆ Während das Holz an beiden Enden abgestützt wird, siehe Abb. Z, schneiden Sie zuerst 1/3 von der Oberseite her. Nehmen Sie dann den abschließenden Schnitt von unten durch die 2/3 so vor, dass er auf den ersten Schnitt trifft, siehe Abb. Z.

**Fehlerbehebung**

Problem	Mögliche Ursache	Mögliche Lösung
<b>Das Gerät startet nicht</b>	Die Verriegelung ist nicht gedrückt.	Drücken Sie die Verriegelung.
	Der Akku ist nicht eingesetzt	Setzen Sie den Akku ein
	Der Akku ist nicht geladen	Laden Sie den Akku
	Der Akku ist nicht ordnungsgemäß eingesetzt	Entfernen Sie den Akku aus dem Gerät, und setzen Sie ihn erneut ein
<b>Die Kette kommt beim Ausschalten des Geräts nicht innerhalb von 2 Sekunden zum Stillstand</b>	Kettenspannung zu niedrig	Prüfen Sie die Kettenspannung.

Problem	Mögliche Ursache	Mögliche Lösung
<b>Führung/Kette heiß/ rauchen</b>	Öltank leer	Überprüfen Sie den Füllstand des Tanks.
	Ölöffnung am Führungsschwert verstopft	Reinigen Sie die Ölöffnungen und die Nut um die Kante des Kettenschwerts.
	Kettenspannung zu hoch	Prüfen Sie die Kettenspannung.
	Kettenradnase am Führungsschwert muss geschmiert werden	Ölen Sie die Kettenradnase.
<b>Schnittleistung der Kettensäge niedrig</b>	Kette läuft rückwärts	Prüfen/ändern Sie die Laufrichtung der Kette.
		Schärfen
<b>Kettensäge verbraucht kein Öl</b>	Tank verschmutzt	Ersetzen Sie das Öl im Tank.
	Ölöffnung im Deckel verstopft	Reinigen Sie die Öffnung.
	Führungsschwert verschmutzt	Entfernen Sie Verschmutzungen vom Führungsschwert und reinigen Sie dieses.
	Ölauslass verschmutzt	Entfernen Sie die Verschmutzung
<b>Die Kettensäge geht während des Betriebs plötzlich aus.</b>	Der Akku ist leer	Drücken Sie die Taste der Ladestandsanzeige, um den Ladestand des Akkus zu prüfen. Laden Sie ggf. den Akku wieder auf.
	Der Akku ist zu heiß	Lassen Sie den Akku mindestens 30 Minuten abkühlen, bevor Sie die Arbeiten fortsetzen oder den Akku aufladen.
	Strombegrenzungsschutz	Starten Sie die Kettensäge erneut. Beschleunigen Sie den Arbeitsvorgang nicht mit Gewalt. Vermeiden Sie eine Überlastung.

**Wartung**

Eine regelmäßige Wartung stellt eine lange Lebensdauer des Gerätes sicher. Wir empfehlen, folgende Kontrollen regelmäßig durchzuführen.

**Warnung!** Vor Wartungs- oder Reinigungsarbeiten am Gerät:

- ◆ Schalten Sie das Gerät aus, und ziehen Sie den Netzstecker aus der Steckdose.



## Ölpegel

Der Pegel im Behälter darf eine Viertelfüllung nicht unterschreiten.

## Sägekette und Führungsschwert

- ◆ Nehmen Sie nach einigen Stunden Gebrauch und vor dem Lagern das Führungsschwert und die Kette ab und reinigen Sie die Teile gründlich.
- ◆ Stellen Sie sicher, dass der Kettenschutz sauber und frei von Ablagerungen ist.
- ◆ Ölen Sie die Kettenradnase und das Führungsschwert durch die Kettenrad-Schmieröffnungen. Dadurch ist eine gleichmäßige Abnutzung entlang der Führungsschwertschiene gewährleistet.

## Schärfen der Sägekette

Um eine optimale Schneidleistung zu erhalten, muss die Sägekette regelmäßig geschärft werden.

Anleitungen hierzu finden Sie auf der Verpackung des Schärfers.

## Erneuern einer verschlissenen Kette

Ersatzketten sind über den Fachhandel oder bei einer STANLEY FATMAX Vertretung erhältlich. Verwenden Sie ausschließlich Originalersatzteile.

## Schärfe der Sägekette

Die Zähne der Kette werden sofort stumpf, wenn sie beim Sägen den Boden oder einen Nagel berühren.

## Kettenspannung

Überprüfen Sie regelmäßig die Spannung der Kette.

## Was ist zu tun, wenn die Kettensäge repariert werden muss?

Ihre Kettensäge erfüllt alle einschlägigen Sicherheitsbestimmungen. Reparaturen sind nur von autorisierten Fachkräften und mit Originalersatzteilen vorzunehmen. Andernfalls besteht Unfall- und Verletzungsgefahr. Bewahren Sie diese Anleitung an einem sicheren Ort auf.

## Umweltschutz



Abfalltrennung. Produkte und Akkus mit diesem Symbol dürfen nicht mit dem normalen Hausmüll entsorgt werden.

Produkte und Akkus enthalten Materialien, die wiederverwertet werden können, um den Bedarf an Rohstoffen zu verringern. Bitte recyceln Sie elektrische Produkte und Akkus gemäß den örtlichen Bestimmungen. Weitere Informationen finden Sie auf [www.2helpU.com](http://www.2helpU.com)

## Technische Daten

		SFMCSS730
Spannung	V <sub>DC</sub>	18
Länge des Führungsschwerts	mm	300
Kettengeschwindigkeit (Leerlauf)	m/s	6,7
Max. Schnittlänge	mm	250
Öfüllmenge	ml	150
Gewicht	kg	2,51 (ohne Sägekette, Führungsschwert, Führungsschwertabdeckung, Öl, Akku)

Ladegerät		SFMCB11	SFMCB12	SFMCB14
Eingangsspannung	V <sub>AC</sub>	230	230	230
Ausgangsspannung	V <sub>DC</sub>	18	18	18
Strom	A	1,25	2	4

Akku		SFMCB201	SFMCB202	SFMCB204	SFMCB206
Spannung	V <sub>DC</sub>	18	18	18	18
Kapazität	Ah	1,5	2,0	4,0	6,0
Typ		Li-Ionen	Li-Ionen	Li-Ionen	Li-Ionen

Schalldruckpegel gemäß EN 62841:
L <sub>PA</sub> (Schalldruck) 87 dB(A), Unsicherheitsfaktor (K) 3 dB(A)
L <sub>WA</sub> (Schalleistung) 99 dB(A), Unsicherheitsfaktor (K) 1,6 dB(A)

Gesamtvibration (Triax-Vektorsumme) gemäß EN 62841:
Vibrationsemissionswert (a <sub>h</sub> ) 6,5 m/s <sup>2</sup> , Unsicherheitsfaktor (K) 1,5 m/s <sup>2</sup>

## EU-Konformitätserklärung

MASCHINENRICHTLINIE



SFMCSS730 – Kompakt-Kettensäge  
 STANLEY FATMAX erklärt, dass diese unter „Technische Daten“ beschriebenen Geräte übereinstimmen mit: 2006/42/EG,  
 EN 62841-1:2015+A11:2022, EN 62841-4-1:2020, 2000/14/EC, Anhang V  
 LWA (gemessener Schalleistungspegel) 99 dB(A),  
 Unsicherheitsfaktor (K) = 1,6 dB (A),  
 LWA (garantierte Schalleistung) 101 dB(A)  
 Diese Produkte erfüllen auch die Richtlinie  
 2014/30/EU und 2011/65/EU.

Weitere Informationen erhalten Sie von STANLEY FATMAX unter der folgenden Adresse. Diese befindet sich auch auf der Rückseite dieser Anleitung.

Der Unterzeichnete ist verantwortlich für die Zusammenstellung der technischen Daten und gibt diese Erklärung im Namen von STANLEY FATMAX ab.

*Patrick Diepenbach*

Patrick Diepenbach  
General Manager, Benelux  
Stanley FatMax,  
Egide Walschaertsstraat 14-18  
2800 Mechelen, Belgien  
28/06/2023

## Garantie

STANLEY FATMAX vertraut auf die Qualität der eigenen Geräte und bietet dem Käufer eine außergewöhnliche Garantie von 12 Monaten ab Kaufdatum. Diese Garantie versteht sich unbeschadet der gesetzlichen Gewährleistungsansprüche und schränkt diese keinesfalls ein. Diese Garantie gilt innerhalb der Staatsgebiete der Mitgliedstaaten der Europäischen Union und der Europäischen Freihandelszone und des Vereinigten Königreichs.

Zur Inanspruchnahme dieser Garantie muss sie den allgemeinen Geschäftsbedingungen von STANLEY FATMAX entsprechen und dem Verkäufer bzw. der Vertragswerkstatt ist ein Kaufnachweis vorzulegen. Die Bedingungen für die 1-jährige Garantie von STANLEY FATMAX und den Standort Ihrer nächstgelegenen Vertragswerkstatt finden Sie im Internet unter [www.2helpU.com](http://www.2helpU.com) oder indem Sie sich an die lokale STANLEY FATMAX-Niederlassung wenden, deren Adresse Sie in dieser Anleitung finden.

Ihr neues STANLEY FATMAX-Produkt können Sie auf unserer Website unter [www.stanley.eu/3](http://www.stanley.eu/3) registrieren. Dort erhalten Sie auch Informationen über neue Produkte und Sonderangebote.

## Utilisation prévue

Votre tronçonneuse compacte STANLEY FATMAX, SFMC-CS730 été conçue pour les petites opérations de coupe et d'élagage. Cet appareil a été conçu pour les professionnels et les particuliers.

## Consignes de sécurité

### Avertissements de sécurité générale propres aux outils électriques



**Avertissement ! Veuillez lire tous les avertissements de sécurité, toutes les instructions, les illustrations et les spécifications fournies avec cet outil électrique.** Le non-respect de toutes les instructions listées ci-dessous peut entraîner des décharges électriques, des incendies et/ou de graves blessures.

**Conservez tous les avertissements et toutes les instructions afin de pouvoir vous y référer dans le futur.** Le terme "outil électrique" mentionné dans tous les avertissements listés ci-dessous fait référence à vos outils électriques branchés sur secteur (avec câble) ou fonctionnant sur pile ou batterie (sans fil).

#### 1. Sécurité de la zone de travail

- a. **Maintenez la zone de travail propre et bien éclairée.**  
Les zones sombres ou encombrées sont propices aux accidents.
- b. **N'utilisez pas d'outils électriques dans un environnement présentant des risques d'explosion ou en présence de liquides, gaz ou poussières inflammables.** Les outils électriques créent des étincelles qui peuvent enflammer les poussières et les fumées.
- c. **Maintenez les enfants et les autres personnes à l'écart quand vous utilisez un outil électrique.** Toute distraction peut vous faire perdre le contrôle de l'outil.

#### 2. Sécurité électrique

- a. **Les prises des outils électriques doivent correspondre à la prise de courant murale. Ne modifiez jamais la prise d'aucune sorte. N'utilisez aucun adaptateur avec des outils électriques reliés à la terre.** L'utilisation de prises d'origine et de prises murales appropriées permet de réduire le risque de décharge électrique.
- b. **Évitez tout contact physique avec des surfaces reliées à la terre comme des tuyaux, des radiateurs, des fours et des réfrigérateurs par exemple.** Il y a sinon un risque accru de décharge électrique si votre corps est lui-même relié à la terre.
- c. **N'exposez pas les outils électriques à la pluie, ni à l'humidité.**

Le risque de décharge électrique augmente si de l'eau pénètre dans un outil électrique.

- d. **Ne tirez pas sur le cordon d'alimentation. N'utilisez jamais le cordon pour transporter, tirer ou débrancher l'outil électrique. Maintenez le cordon à l'écart de la chaleur, des substances grasses, des bords tranchants ou des pièces mobiles.** Les cordons endommagés ou emmêlés augmentent les risques de décharges électriques.
- e. **Si vous utilisez un outil électrique à l'extérieur, utilisez une rallonge homologuée pour les travaux en extérieur.** L'utilisation d'une rallonge électrique homologuée pour les travaux en extérieur réduit le risque de décharge électrique.
- f. **Si l'utilisation d'un outil électrique dans un endroit humide est inévitable, utilisez une alimentation électrique protégée par un disjoncteur différentiel à courant résiduel (DDR).** L'utilisation d'un DDR réduit le risque de décharge électrique.

### 3. Sécurité des personnes

- a. **Restez vigilant, surveillez ce que vous faites et faites preuve de bon sens lorsque vous utilisez un outil électrique. N'utilisez pas d'outils électriques si vous êtes fatigué ou sous l'influence de drogue, d'alcool ou de médicaments.** Tout moment d'inattention pendant l'utilisation d'un outil électrique peut engendrer de graves blessures.
- b. **Portez des équipements de protection individuelle. Portez toujours une protection oculaire.** Les équipements de protection comme les masques à poussière, les chaussures de sécurité antidérapantes, les casques ou les protections auditives réduisent le risque de blessures s'ils sont utilisés à bon escient.
- c. **Empêchez tout démarrage intempestif. Assurez-vous que l'interrupteur est sur la position Arrêt avant de raccorder l'outil à l'alimentation électrique et/ou au bloc-batterie ou avant de ramasser ou de transporter l'outil.** Le fait de transporter les outils électriques le doigt sur l'interrupteur ou d'alimenter les outils électriques dont l'interrupteur est déjà en position de marche augmente le risque d'accidents.
- d. **Retirez toutes les clés ou pinces de réglage avant de mettre l'outil en marche.** Une clé ou une pince restée fixée sur une pièce rotative de l'outil électrique peut engendrer des blessures.
- e. **Ne vous penchez pas. Gardez les pieds bien ancrés au sol et conservez votre équilibre en permanence.** Cela permet de mieux maîtriser l'outil électrique en cas de situations imprévues.
- f. **Portez des vêtements appropriés. Ne portez aucuns vêtements amples, ni bijoux.**

**Gardez vos cheveux, vos vêtements et vos gants éloignés des pièces mobiles.** Les vêtements amples, les bijoux ou les cheveux longs peuvent être happés par les pièces mobiles.

- g. **Si vous disposez de dispositifs pour le raccordement d'un extracteur de poussière ou d'installations pour la récupération, assurez-vous qu'ils sont correctement raccordés et utilisés.** L'utilisation de dispositifs récupérateurs de poussières réduit les risques liés aux poussières.
- h. **Ne pensez pas être familiarisé avec l'outil après l'avoir utilisé à de nombreuses reprises, au point de ne plus rester vigilant et d'en oublier les consignes de sécurité.** Toute action imprudente peut engendrer de graves blessures en une fraction de seconde.

### 4. Utiliser et entretenir un outil électrique

- a. **Respectez la capacité de l'outil. Utilisez l'outil approprié, adapté pour le travail à réaliser.** Un outil adapté fonctionne mieux, de façon plus sûre et à la cadence pour laquelle il a été conçu.
- b. **N'utilisez pas l'outil électrique si son interrupteur ne permet pas de l'allumer ou de l'éteindre.** Tout outil électrique qui ne peut plus être commandé par son interrupteur est dangereux et il doit être réparé.
- c. **Débranchez la prise de courant et/ou retirez le bloc-batterie de l'outil électrique avant d'effectuer tout réglage, de changer un accessoire ou de ranger l'outil électrique.** Ces mesures de sécurité préventives réduisent le risque de démarrage accidentel de l'outil électrique.
- d. **Rangez les outils électriques non utilisés hors de portée des enfants et ne laissez aucune personne ne connaissant pas ces outils ou leurs instructions d'utilisation les faire fonctionner.** Les outils électriques peuvent être dangereux entre des mains inexpérimentées.
- e. **Entretenez vos outils électriques. Vérifiez que les pièces mobiles sont alignées correctement et qu'elles ne sont pas coincées. Vérifiez qu'aucune pièce n'est cassée et contrôlez l'absence de toute autre condition qui pourrait nuire au bon fonctionnement de l'outil. En cas de dommage, faites réparer l'outil électrique avant de le réutiliser.** De nombreux accidents sont provoqués par des outils électriques mal entretenus.
- f. **Maintenez les organes de coupe affûtés et propres.** Des organes de coupe bien entretenus et dont le tranchant est affûté sont moins susceptibles de rester coincés et ils sont plus faciles à contrôler.
- g. **Utilisez l'outil électrique, les accessoires et les embouts d'outils conformément à ces instructions, en tenant compte des conditions de travail et de la tâche à effectuer.**

L'utilisation d'un outil électrique à d'autres fins que celles pour lesquelles il a été prévu peut entraîner des situations dangereuses.

- h. **Veillez à ce que les poignées et les surfaces de préhension restent sèches et propres, sans trace d'huile ou de graisse. Des poignées et des surfaces de préhension glissantes ne permettent pas de manipuler et de maîtriser l'outil correctement en cas de situations inattendues.**
5. **Utiliser et entretenir un outil fonctionnant sur batterie**
- a. **N'effectuez la recharge qu'à l'aide du chargeur spécifié par le fabricant.** Un chargeur adapté pour un type de bloc-batterie peut engendrer un risque d'incendie s'il est utilisé avec un bloc-batterie différent.
- b. **N'utilisez les outils électriques qu'avec les blocs-batteries qui leur sont dédiés.** L'utilisation d'autres blocs-batteries peut créer un risque de blessures et d'incendie.
- c. **Lorsque le bloc-batterie n'est pas utilisé, éloignez-le des objets en métal comme les trombones, les pièces de monnaies, les clés, les clous, les vis ou d'autres petits objets métalliques qui pourraient créer un contact entre les deux bornes.** La mise en court-circuit des bornes d'une batterie peut provoquer des brûlures ou un incendie.
- d. **Dans des conditions extrêmes, du liquide peut être éjecté de la batterie. Évitez tout contact avec ce liquide. En cas de contact accidentel, rincez à l'eau. En cas de contact avec les yeux, consultez en plus un médecin.** Le liquide sortant de la batterie peut provoquer des irritations ou des brûlures.
- e. **N'utilisez pas un bloc-batterie ou un outil qui est endommagé ou qui a été modifié.** Les batteries endommagées ou modifiées peuvent avoir un comportement imprévisible qui peut conduire à un incendie, une explosion ou à un risque de blessure.
- f. **N'exposez pas le bloc-batterie ou l'outil au feu ou à des températures excessives.** L'exposition au feu ou à des températures dépassant 130 °C peut provoquer une explosion. REMARQUE : La température "130 °C" peut être remplacée par la température "265 °F".
- g. **Respectez toutes les instructions de charge et ne rechargez pas le bloc-batterie ou l'outil en dehors de la plage de températures spécifiée dans la notice.** Une charge mal effectuée ou à des températures hors de la plage spécifiée peut endommager le bloc-batterie et augmenter le risque d'incendie.
6. **Révision/Réparation**
- a. **Ne faites réviser/réparer votre outil électrique que par un réparateur qualifié qui n'utilise que des pièces de rechange d'origine.**

Cela permet de garantir la sûreté de l'outil électrique.

- b. **Ne réparez jamais des blocs-batteries endommagés.** Les réparations sur les blocs-batteries ne doivent être effectuées que par le fabricant ou l'un de ses prestataires de services agréés (ne concerne que les outils fonctionnant sur batterie).

### Avertissements de sécurité générale propres aux tronçonneuses



**Avertissement !** Consignes de sécurité supplémentaires pour tronçonneuses

- ◆ **Gardez toutes les parties de votre corps loin de la chaîne lorsque la tronçonneuse est en marche. Avant de démarrer la tronçonneuse, veillez à ce que la chaîne ne soit en contact avec aucun objet.** Tout moment d'inattention pendant l'utilisation peut entraîner l'enchevêtrement de vos vêtements ou d'une partie de votre corps dans la tronçonneuse.
- ◆ **Tenez toujours la tronçonneuse avec votre main droite sur la poignée arrière et votre main gauche sur la poignée avant.** Ne tenez jamais la tronçonneuse en inversant la position des mains car cela augmenterait le risque de blessure.
- ◆ **Ne tenez la tronçonneuse que par ses surfaces de préhension isolées car il est possible que la chaîne entre en contact avec des fils cachés.** Tout contact d'une chaîne de tronçonneuse avec un fil sous tension peut mettre les parties métalliques exposées de la tronçonneuse sous tension et provoquer une décharge électrique à l'utilisateur.
- ◆ **Portez une protection oculaire. Des équipements de protection supplémentaires pour les oreilles, la tête, les mains, les jambes et les pieds sont recommandés.** Des équipements de protection appropriés permettent de réduire les éventuelles blessures dues à la projection de débris ou au contact accidentel avec la chaîne.
- ◆ **N'utilisez pas de tronçonneuse si vous êtes dans un arbre, sur une échelle, sur un toit ou sur tout support instable.** L'utilisation d'une tronçonneuse dans ces conditions peut occasionner de graves blessures.
- ◆ **Veillez à toujours adopter une posture stable et à n'utiliser la tronçonneuse qu'à condition d'être sur une surface fixe, sécurisée et de niveau.** Les surfaces glissantes ou instables, comme les échelles par exemple, peuvent provoquer une perte d'équilibre ou la perte de contrôle de la tronçonneuse.
- ◆ **Si vous sciez une branche comprimée, prenez garde à l'effet ressort (son redressement soudain).** Lorsque le bois reprend sa position, la branche peut frapper l'opérateur et/ou lui faire perdre le contrôle de la tronçonneuse.

- ◆ **Soyez extrêmement vigilant lorsque vous coupez des buissons et des arbustes.** Les tiges peuvent s'accrocher dans la chaîne et être éjectées vers vous ou vous faire perdre l'équilibre.
- ◆ **Transportez la tronçonneuse par la poignée avant, éteinte et éloignée de votre corps. Pour transporter ou ranger la tronçonneuse, installez toujours le cache du guide-chaîne.** La manipulation appropriée de la tronçonneuse réduit les risques de contact accidentel avec la chaîne en mouvement.
- ◆ **Respectez les instructions concernant la lubrification et la tension de la chaîne ainsi que celles concernant le changement des accessoires.** Une chaîne mal tendue ou mal graissée peut soit se casser, soit provoquer un rebond
- ◆ **Ne sciez que du bois. N'utilisez la tronçonneuse que pour les tâches auxquelles elle est destinée. N'utilisez par exemple pas la tronçonneuse pour scier du plastique, des matériaux de maçonnerie ou des matériaux de construction autre que le bois.** L'utilisation de la tronçonneuse à des fins autres que celles auxquelles elle est destinée peut engendrer des situations dangereuses.
- ◆ **N'essayez pas d'abattre un arbre avant d'avoir bien compris les risques encourus et la façon de les éviter.** L'abattage d'un arbre peut occasionner de graves blessures à l'opérateur ou aux personnes à proximité.
- ◆ **Respectez toutes les consignes pour supprimer un bourrage, ranger ou réviser/entretenir la tronçonneuse. Assurez-vous que l'interrupteur est sur Arrêt et que le bloc-batterie a été retiré.** La mise en marche accidentelle de la tronçonneuse pendant la suppression d'un bourrage ou une opération d'entretien peut occasionner de graves blessures.

### Avertissements de sécurité supplémentaires propres aux outils électriques



**Avertissement !** Avertissements de sécurité supplémentaires, propres aux tronçonneuses compactes.

L'utilisation prévue est décrite dans cette présente notice d'utilisation. N'utilisez pas l'outil pour autre chose que ce à quoi elle est destinée. Par exemple, ne l'utilisez pas pour abattre des arbres. L'utilisation d'un accessoire ou d'un équipement autre que ceux mentionnés ou l'utilisation de cet outil à d'autres fins que celles recommandées dans cette notice d'utilisation peuvent présenter un risque de blessures.

- ◆ **Portez des vêtements ajustés et des équipements de protection comme un casque avec visière/écran, des protections auditives, des chaussures de sécurité antidérapantes, un pantalon renforcé et de solides gants en cuir.**
- ◆ **Veillez à ne pas vous placer sur la trajectoire de la chute des branches.**
- ◆ **La distance de sécurité entre une branche à couper et les personnes, les bâtiments ou d'autres objets à proximité, doit être au moins égale à deux fois et demi la longueur de la branche.** Les personnes, les bâtiments ou les objets plus proches que cette distance risquent d'être heurtés par la branche au moment de sa chute.
- ◆ **Prévoyez une zone de repli en fonction de la chute des branches.** Assurez-vous qu'il n'y a aucun obstacle sur la voie de repli qui pourrait empêcher ou de gêner vos déplacements. N'oubliez pas que l'herbe mouillée et l'écorce fraîchement coupée sont glissantes.
- ◆ **Assurez-vous de la présence d'une personne à proximité (tout en respectant les distances de sécurité) en cas d'accident.**
- ◆ **N'utilisez pas cet outil en étant dans l'arbre, sur une échelle ou une surface instable.**
- ◆ **Gardez les pieds bien ancrés au sol et conservez votre équilibre en permanence.**
- ◆ **Tenez fermement l'outil à deux mains lorsque le moteur tourne.**
- ◆ **Ne laissez jamais la chaîne en mouvement entrer en contact avec quoi que ce soit par le bout du guide-chaîne.**
- ◆ **Ne commencez la coupe qu'une fois la chaîne à pleine vitesse.**
- ◆ **N'essayez pas de réinsérer la chaîne dans une entaille existante.** Faites toujours une nouvelle entaille.
- ◆ **Faites attention aux branches qui bougent ou aux autres forces qui pourraient refermer une entaille et pincer ou entraver la chaîne.**
- ◆ **Ne tentez pas de couper une branche ayant un diamètre supérieur à la longueur de coupe de la tronçonneuse.**
- ◆ **Veillez à toujours retirer la batterie de l'outil et à réins-taller le carter de chaîne sur la chaîne pour ranger et transporter l'outil.**
- ◆ **Gardez la chaîne bien affûtée et correctement tendue.** Vérifiez régulièrement la tension de la chaîne.
- ◆ **Éteignez toujours l'outil, laissez la chaîne s'arrêter et retirez la batterie de l'outil avant toute opération de réglage, d'entretien ou de maintenance.**
- ◆ **N'utilisez que des pièces de rechange et des accessoires d'origine.**
- ◆ **Veillez à ce que les poignées restent sèches et propres, exemptes d'huile ou de graisse.** Les poignées grasses sont glissantes ce qui entraîne une perte de contrôle.
- ◆ **Au cours de la vie du produit, la griffe peut devenir coupante.** Manipulez-la avec précaution.
- ◆ **Pendant l'utilisation, le guide-chaîne peut devenir très chaud, manipulez-le avec précaution.**

### Causes et prévention des rebonds

Un rebond peut se produire si le nez ou la pointe du guide-chaîne touche un objet ou si le bois se referme et pince la chaîne dans le trait de coupe.

Le contact de la pointe peut dans certains cas provoquer une brusque réaction inverse qui soulève le guide-chaîne et l'entraîne vers de l'utilisateur.

Le pincement de la chaîne le long de la partie supérieure du guide-chaîne peut rapidement repousser le guide-chaîne vers l'utilisateur.

Ces réactions peuvent vous faire perdre le contrôle de la tronçonneuse, ce qui peut occasionner de graves blessures. Ne vous fiez pas uniquement aux dispositifs de sécurité intégrés à votre tronçonneuse. Vous devez, en utilisant la tronçonneuse, prendre plusieurs précautions afin d'éviter les accidents et les blessures.

Les rebonds sont le résultat d'une utilisation inappropriée de l'outil et/ou de conditions ou de procédures d'exécution incorrectes et ils peuvent être évités en prenant les précautions adéquates énoncées ci-dessous :

- ◆ **Maintenez fermement la tronçonneuse, pouces et doigts encerclant les poignées de la tronçonneuse. Avec les deux mains sur la tronçonneuse, placez votre corps et vos bras de manière à pouvoir résister à la force d'un rebond.** La force d'un rebond peut être contrôlée par l'utilisateur si les précautions nécessaires sont prises. Ne lâchez pas la tronçonneuse.
- ◆ **Ne vous penchez pas et ne sciez pas plus haut que le niveau de vos épaules.** Cela permet d'éviter le contact accidentel du bout de la chaîne et de mieux contrôler la tronçonneuse en cas de situations inattendues.
- ◆ **N'utilisez que des guide-chaînes et des chaînes de rechange prescrites par le fabricant.** L'utilisation de guide-chaînes et de chaînes inadaptées peut entraîner la rupture de la chaîne et/ou des rebonds.
- ◆ **Respectez les instructions du fabricant pour affûter et entretenir la chaîne.** La diminution de la hauteur de la jauge de profondeur, peut augmenter le risque de rebonds.

### Recommandations pour la sécurité propres aux tronçonneuses

- ◆ Nous conseillons fortement aux novices d'obtenir des conseils pratiques sur l'utilisation de la tronçonneuse et sur les équipements de protection de la part d'un utilisateur expérimenté. La première utilisation devrait se cantonner à la découpe de bûches sur un chevalet.
- ◆ Pour transporter la tronçonneuse, nous vous recommandons de retirer la batterie et de tenir la tronçonneuse avec la chaîne vers l'arrière.
- ◆ Prenez soin de votre tronçonneuse quand vous ne l'utilisez pas.

Ne rangez pas votre tronçonneuse pour une longue période sans avoir d'abord retiré la chaîne et le guide-chaîne qui peuvent être conservés dans un bain d'huile. Rangez toutes les pièces de votre tronçonneuse dans un endroit sûr, au sec et hors de portée des enfants.

- ◆ Nous vous recommandons de vidanger le réservoir d'huile avant de ranger la tronçonneuse.
- ◆ Faites attention à votre posture et prévoyez une voie de repli loin du point de chute de l'arbre abattu ou des branches coupées.
- ◆ Utilisez des cales pour contrôler l'abattage et éviter de plier le guide-chaîne et la chaîne dans le trait de coupe.
- ◆ Entretien de la chaîne. Assurez-vous que la chaîne est bien affûtée et bien ajustée sur le guide de chaîne. Veillez à ce que la chaîne et le guide-chaîne restent propres et bien graissés. Veillez à garder les poignées sèches et propres, exemptes d'huile ou de graisse.

### Un rebond peut se produire si :

- ◆ Vous heurtez des branches ou d'autres objets accidentellement avec la pointe de la tronçonneuse lorsque la chaîne tourne.
- ◆ Vous heurtez du métal, du ciment ou tout autre matériau dur à proximité ou enfoui dans le bois.
- ◆ La chaîne est émoussée ou lâche.
- ◆ Vous sciez au-dessus de la hauteur de l'épaule.
- ◆ Vous faites preuve d'inattention en tenant ou guidant la tronçonneuse pendant la coupe.
- ◆ Vous vous penchez. Adoptez une posture stable, gardez votre équilibre en permanence et ne vous penchez pas.
- ◆ N'essayez pas de réinsérer la chaîne dans un trait de coupe existant. Cela pourrait provoquer un rebond. Recommencez une nouvelle coupe à chaque fois.
- ◆ Nous vous conseillons fortement de ne pas utiliser votre tronçonneuse si vous êtes dans un arbre, sur une échelle ou sur toute autre surface instable. Si vous décidez de le faire, soyez conscient du fait que ces postures sont extrêmement dangereuses.
- ◆ Si vous sciez une branche comprimée, faites attention à l'effet "ressort" pour ne pas être touché au moment où la compression est relâchée.

### Évitez de scier :

- ◆ Du bois préparé.
- ◆ Dans le sol.
- ◆ Les clôtures grillagées, les clous, etc.
- ◆ Des buissons ou des arbustes de petites tailles car les tiges fines peuvent s'accrocher dans la chaîne et être éjectées vers vous ou vous déséquilibrer.
- ◆ N'utilisez pas votre tronçonneuse au-dessus du niveau de vos épaules.

- ◆ Assurez-vous de la présence d'une personne à proximité (tout en respectant les distances de sécurité) en cas d'accident.
- ◆ Si vous devez toucher la chaîne pour une quelconque raison, veillez à bien avoir débranché la tronçonneuse.
- ◆ Le bruit émis par ce produit peut dépasser 80 dB(A). Nous vous recommandons donc vivement de prendre les mesures appropriées pour protéger vos oreilles

### Risques résiduels.

Certains risques résiduels autres que ceux mentionnés dans les avertissements sur la sécurité peuvent survenir en utilisant l'outil. Ces risques peuvent être dus à une utilisation incorrecte, une utilisation prolongée, etc.

Malgré le respect de toutes les réglementations pertinentes sur la sécurité et la mise en œuvre de dispositifs de sécurité, certains risques résiduels ne peuvent pas être évités. Ils comprennent :

- ◆ Les blessures dues au contact avec des pièces mobiles/ en rotation.
- ◆ Les blessures dues au changement de pièces, de lames ou d'accessoires.
- ◆ Les blessures dues à l'utilisation prolongée d'un outil. Lorsque vous utilisez un outil quel qu'il soit pendant de longues périodes, veillez à faire des pauses régulières.
- ◆ Les troubles de l'ouïe.
- ◆ Les risques pour la santé dus à l'inhalation des poussières émises pendant l'utilisation de l'outil (exemple : travail avec du bois, surtout le chêne, le hêtre et les panneaux en MDF).

### Bruit et vibrations

Les valeurs déclarées pour les vibrations et le bruit émis, mentionnées dans les caractéristiques techniques et la déclaration de conformité, ont été mesurées selon une méthode de test standard fournie par la norme EN 62841 et elles peuvent être utilisées pour comparer un outil à un autre. Les valeurs déclarées pour les vibrations et le bruit émis peuvent aussi être utilisées pour une évaluation préliminaire à l'exposition.

**Avertissement !** En fonction de la manière dont l'outil est utilisé, la valeur réelle des vibrations et du bruit émis pendant son utilisation peut différer de la valeur déclarée. Le niveau des vibrations peut dépasser le niveau déclaré.

Quand l'exposition aux vibrations est évaluée afin de déterminer les mesures de sécurité requises par la norme 2002/44/CE pour protéger les personnes utilisant régulièrement des outils électriques, l'estimation de l'exposition aux vibrations doit tenir compte des conditions réelles d'utilisation et de la façon dont l'outil est utilisé. Il faut également tenir compte de toutes les composantes du cycle de fonctionnement comme les durées pendant lesquelles l'outil est arrêté et quand il fonctionne au ralenti, ainsi que la durée du déclenchement.

### Étiquettes apposées sur l'outil

Les pictogrammes qui suivent figurent sur l'outil avec le code date :



**Avertissement !** Afin de réduire le risque de blessures, l'utilisateur doit lire la notice d'utilisation.



N'exposez pas votre tronçonneuse à la pluie ou à l'humidité.



Veillez à toujours porter un casque, des lunettes de protection et des protections auditives.



Veillez à toujours porter un masque à poussière



Veillez à toujours porter des gants.



Portez toujours des chaussures de sécurité anti-dérapantes.



Tenez toujours la tronçonneuse à deux mains.



Faites attention aux rebonds de la tronçonneuse et évitez tout contact avec le bout du guide-chaîne.



N'utilisez pas la tronçonneuse d'une seule main



Éteignez l'outil. Avant de réaliser toute opération de maintenance sur l'outil, retirez-en la batterie.



Attention à la chute d'objets. Gardez à distance les personnes à proximité



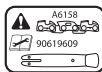
Afin de veiller à la sûreté d'utilisation, contrôlez la tension de la chaîne de la façon décrite dans cette notice, toutes les 10 minutes d'utilisation et réglez son espacement à 3 mm si nécessaire. Graissez la chaîne toutes les 10 minutes d'utilisation.



**Avertissement !** Ne touchez pas la chaîne là où elle éjecte les copeaux



Sens de rotation de la chaîne.



Afin de garantir la sûreté d'utilisation, la chaîne et le guide-chaîne ne doivent être remplacés que par des pièces STANLEY FATMAX d'origine. Chaîne de rechange, numéro de pièce A6158. Guide-chaîne de rechange, numéro de pièce 90619609.



Puissance sonore garantie selon la Directive 2000/14/CE.

## Consignes de sécurité supplémentaires propres aux batteries et aux chargeurs

### Batteries

- ◆ Ne tentez de les ouvrir sous aucun prétexte.
- ◆ N'exposez pas la batterie à l'eau.
- ◆ N'approchez pas la batterie d'une source de chaleur.
- ◆ Ne la rangez pas dans des endroits où la température peut dépasser 40°C.
- ◆ Ne procédez à la charge qu'à une température ambiante comprise entre 10°C et 40°C.
- ◆ N'utilisez que le chargeur fourni avec l'appareil/outil. L'utilisation d'un chargeur inadapté peut conduire à une décharge électrique ou à la surchauffe de la batterie.
- ◆ Au moment de jeter les batteries, respectez les instructions mentionnées dans la section "Protection de l'environnement".
- ◆ Ne déformez/n'endommagez pas le bloc-batterie en le perçant ou en le cognant car cela pourrait entraîner des blessures et un incendie.
- ◆ Ne rechargez pas des batteries endommagées.

**Dans des conditions extrêmes, une batterie peut fuir. Si vous détectez une fuite, utilisez un chiffon pour essuyer le liquide avec précaution.** Évitez tout contact avec la peau. En cas de contact avec les yeux, respectez les consignes mentionnées ci-dessous.

**Avvertissement ! Le liquide de la batterie peut provoquer des blessures ou des dégâts matériels.** En cas de contact avec la peau, rincez immédiatement à l'eau. Si des rougeurs, une douleur ou une irritation se produisent, consultez un médecin. En cas de contact avec les yeux, rincez immédiatement à l'eau et consultez un médecin.

### Chargeurs

**Avvertissement ! Votre chargeur a été conçu pour une tension spécifique.** Vérifiez toujours que la tension du réseau électrique correspond à la tension mentionnée sur la plaque signalétique.

**Avvertissement !** N'essayez jamais de remplacer le module de charge par une prise de courant ordinaire.

- ◆ N'utilisez votre chargeur STANLEY FATMAX que pour recharger la batterie de l'appareil/outil avec lequel elle a été livrée. Les autres batteries pourraient exploser et entraîner des blessures et des dommages.
- ◆ Ne tentez jamais de recharger des piles non rechargeables.
- ◆ Si le câble d'alimentation est endommagé, il doit être remplacé par le fabricant ou dans un centre d'assistance agréé STANLEY FATMAX afin d'éviter tout risque.
- ◆ N'exposez pas le chargeur à l'eau.
- ◆ N'ouvrez pas le chargeur.
- ◆ Ne sondez pas le chargeur.
- ◆ Pendant la charge, le chargeur doit être placé dans un endroit bien aéré.

### Étiquettes apposées sur le chargeur

Les symboles suivants se trouvent sur votre chargeur :



Le chargeur est destiné à être exclusivement utilisé à l'intérieur.



Lisez la notice avant de l'utiliser.

### Sécurité électrique



Votre chargeur dispose d'une double isolation, aucune liaison à la terre n'est donc nécessaire. Vérifiez toujours que la tension du réseau électrique correspond à la tension mentionnée sur la plaque signalétique. N'essayez jamais de remplacer le module de charge par une prise de courant ordinaire.

- ◆ Si le câble d'alimentation est endommagé, il doit être remplacé par le fabricant ou dans un centre d'assistance agréé STANLEY FATMAX afin d'éviter tout risque.

### Caractéristiques

1. Interrupteur Marche/Arrêt à gâchette
2. Levier de verrouillage
3. Frein de chaîne / Protège-main avant
4. Guide-chaîne
5. Chaîne
6. Cache-pignon
7. Écrou de blocage du guide-chaîne
8. Vis de tension de la chaîne
9. Bouchon d'huile
10. Indicateur du niveau d'huile
11. Fourreau du guide-chaîne
12. Poignée arrière
13. Poignée avant
14. Bloc-batterie
15. Bouton de libération du bloc-batterie



16. Clé à six pans
17. Rangement pour la clé à six pans

## Assemblage

**Avertissement !** Avant l'assemblage, retirez la batterie (14) de l'outil.

### Recharger la batterie (Fig. A)

La batterie doit être rechargée avant la première utilisation et chaque fois qu'elle n'apporte plus assez de puissance pour les travaux réalisés sans peine auparavant. La batterie peut devenir chaude pendant la charge. Ce phénomène est normal et n'indique pas un problème.

**Avertissement !** Ne rechargez pas la batterie à une température ambiante inférieure à 10 °C ou supérieure à 40 °C. La température recommandée est de 24 °C environ.

**Remarque :** Le chargeur ne recharge pas la batterie si la température de la cellule est inférieure à environ 10 °C ou supérieure à 40 °C.

La batterie doit rester dans le chargeur. Le chargeur commence automatiquement la charge dès que la température de la cellule remonte ou redescend.

- ◆ Pour recharger la batterie (14), insérez-la dans le chargeur (18). La batterie ne peut être insérée dans le chargeur que dans un seul sens. Ne forcez pas. Veillez à ce que la batterie soit correctement installée dans le chargeur.







- ◆ Branchez le chargeur au secteur.

Le témoin de charge (18a) clignote.

La charge est terminée lorsque le témoin de charge (18a) reste allumé en fixe. La batterie peut rester dans le chargeur indéfiniment. Le témoin s'allume alors dès que le chargeur complète la charge de la batterie.

- ◆ Veillez à recharger les batteries dans un délai d'une semaine. La durée de vie de la batterie peut être considérablement diminuée si elle est stockée déchargée.

### État des voyants du chargeur

	<b>Charge :</b> Voyant vert qui clignote	
	<b>Charge complète terminée :</b> Voyant vert allumé en fixe	
	<b>Délai Bloc chaud/froid :</b> Voyant vert qui clignote Voyant rouge allumé en fixe	

**Remarque :** Les chargeurs compatibles ne rechargent pas les blocs-batteries défectueux. Le chargeur indique un bloc-batterie défectueux en refusant de s'allumer.

**Remarque :** Cela peut également signifier un problème avec un chargeur. Si le chargeur indique un problème, apportez-le avec le bloc-batterie dans un centre d'assistance agréé pour les faire tester.

### Laisser la batterie dans le chargeur

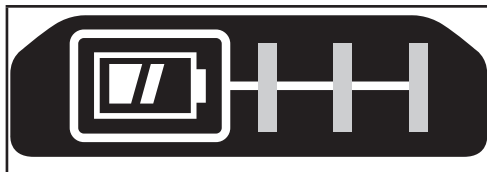
Le chargeur et le bloc-batterie peuvent rester raccordés avec le voyant allumé en continu. Le chargeur maintient le bloc-batterie complètement chargé.

### Délai Bloc chaud/froid

Si le chargeur détecte que la batterie est trop chaude ou trop froide, il démarre automatiquement un délai Bloc Chaud/Froid, le voyant vert (18a) clignote en continu alors que le voyant rouge (18b) reste allumé en continu. La charge est suspendue jusqu'à ce que la batterie ait atteint une température appropriée. Le chargeur se met alors automatiquement en mode Charge. Cette fonctionnalité permet de garantir une durée de vie maximale pour la batterie.

### Témoin du niveau de charge de la batterie (Fig. B)

La batterie intègre un témoin de niveau de charge qui permet de savoir rapidement la charge restante de la batterie, comme illustré par la figure B. En appuyant sur le bouton du témoin de niveau charge (14a) vous pouvez facilement voir le niveau de charge restant dans la batterie, comme illustré par la figure B.



### Installer et retirer le bloc-batterie (Fig. L)

**Avertissement !** Assurez-vous que l'outil/l'appareil est bien éteint avant d'insérer le bloc-batterie.

**Remarque :** Pour un résultat optimal, contrôlez que votre bloc-batterie est complètement rechargé.

- ◆ Pour installer le bloc-batterie (14) dans la poignée de l'outil, alignez-le avec les rails à l'intérieur de la poignée et glissez-le dans la poignée jusqu'à qu'il repose fermement en place dans l'outil et qu'il ne puisse pas se libérer.
- ◆ Pour retirer le bloc-batterie de l'outil, appuyez sur le bouton de libération (15) et tirez fermement le bloc-batterie hors de la poignée de l'outil. Insérez-le dans le chargeur comme décrit dans la section sur le chargeur de cette notice.

### Installer le guide-chaîne et la chaîne (Fig. D-H)

**Avertissement !** La chaîne est tranchante. Veillez à toujours porter des gants de travail lorsque vous manipulez la chaîne.

La chaîne est très tranchante et elle peut vous couper, même à l'arrêt.

**Avertissement !** Chaîne tranchante en mouvement. Afin d'éviter toute mise en marche accidentelle, assurez-vous que la batterie n'est pas dans l'outil avant de réaliser les opérations qui suivent. Le non-respect de cette consigne peut entraîner de graves blessures.

Si la chaîne (5) et le guide-chaîne (4) sont emballés séparément, il faut installer la chaîne sur le guide-chaîne avant d'installer l'ensemble sur le corps de l'outil.

- ◆ Positionnez la scie sur une surface plate et ferme.
- ◆ Tournez l'écrou de blocage du guide-chaîne (7) dans le sens inverse des aiguilles d'une montre avec la clé à six pans (16) fournie.
- ◆ Retirez le cache-pignon (6) et l'écrou de blocage du guide-chaîne (7).
- ◆ Avec des gants, prenez la chaîne (5) et entourez-la autour du guide-chaîne (4), en veillant à ce que les dents pointent dans la bonne direction (Fig. H).
- ◆ Veillez à ce que la chaîne soit bien installée dans son logement, tout le tour du guide-chaîne.
- ◆ Installez la chaîne autour du pignon (19). Tout en alignant la fente sur le guide-chaîne avec la goulotte de tension de la chaîne (20) et le boulon (21), à la base de l'outil, comme illustré par la Figure E.
- ◆ Une fois en place, tenez le guide-chaîne immobile et réinstallez le cache-pignon (6). Installez d'abord l'arrière du cache-pignon, tournez-le vers le bas et veillez à ce que le trou pour le boulon sur le cache soit aligné avec le boulon (21) sur le boîtier principal.
- ◆ Installez l'écrou de blocage du guide-chaîne (7) et vissez-le dans le sens des aiguilles d'une montre à l'aide de la clé à six pans (16) fournie, jusqu'à ce qu'il soit serré, puis desserrez l'écrou d'un tour complet pour que la chaîne puisse être correctement tendue.
- ◆ Tournez la vis de réglage de la tension de la chaîne (8) dans le sens des aiguilles d'une montre pour tendre la chaîne, comme illustré par la Fig. D. Veillez à ce que la chaîne (5) soit bien ajustée autour du guide-chaîne (4). Serrez l'écrou de blocage du guide-chaîne (7) jusqu'à ce qu'il soit bien serré.
- ◆ Respectez les instructions de la section Régler la tension de la chaîne.

### Régler la tension de la chaîne (Fig. D-H)

**Avertissement !** La mauvaise tension de la chaîne peut faire ressortir la chaîne du guide-chaîne et entraîner des blessures graves ou mortelles.

**Remarque :** La tension de la chaîne doit être régulièrement réglée avant chaque utilisation.

- ◆ Contrôlez la tension de la chaîne (5) alors que la tronçonneuse repose sur une surface dure.

La tension est correcte lorsque la chaîne revient en place après avoir été tirée (de 3 mm) hors du guide-chaîne (4) avec le majeur et le pouce, sans trop de force, comme illustré par la Fig. F. Vu du dessous, il ne doit pas y avoir de jeu entre le guide-chaîne et la chaîne, comme illustré par la Fig. G.

- ◆ Pour régler la tension de la chaîne, desserrez l'écrou de blocage du guide-chaîne (7).
- ◆ Tournez la vis de réglage de la tension de la chaîne (8) à l'avant du boîtier avec le côté tournevis plat de la clé à six pans (16).
- ◆ Contrôlez la tension de la chaîne, ajustez si nécessaire.
- ◆ Veillez à ne pas trop tendre la chaîne. Cela provoquerait une usure excessive et réduirait la durée de vie du guide-chaîne et de la chaîne. Une tension excessive réduirait également le nombre de coupes par charge de batterie.
- ◆ Une fois que la tension de la chaîne est correcte, vissez l'écrou de blocage du guide-chaîne (7) jusqu'à ce qu'il soit serré. Serrez l'écrou de blocage du guide-chaîne (7) à 8 Nm.
- ◆ Une chaîne neuve a tendance à se détendre légèrement pendant les premières heures d'utilisation. Il est important de régulièrement contrôler la tension (après avoir déconnecté ou retiré la batterie) au cours des deux premières heures d'utilisation.

### Remplacer la chaîne (Fig. D-H)

**Avertissement !** Chaîne tranchante en mouvement. Afin d'éviter toute mise en marche accidentelle, assurez-vous que la batterie n'est pas dans l'outil avant de réaliser les opérations qui suivent. Le non-respect de cette consigne peut entraîner de graves blessures.

**Attention :** La chaîne est tranchante. Veillez à toujours porter des gants de travail lorsque vous manipulez la chaîne. La chaîne est très tranchante et elle peut vous couper, même à l'arrêt.

**Attention :** La vitesse de la chaîne de ce produit est de 8.6 m/s. N'utilisez que des chaînes destinées à une vitesse nominale supérieure à 8.6 m/s.

- ◆ Positionnez la scie sur une surface plate et ferme.
- ◆ Retirez le cache-pignon (6) comme décrit dans la section Installer le guide-chaîne et la chaîne.
- ◆ Pour retirer la chaîne (5), tournez la vis de réglage de la tension de la chaîne (8) à l'avant du boîtier avec le côté tournevis plat de la clé. Tournez la vis dans le sens inverse des aiguilles d'une montre permet de rétracter le guide-chaîne (4) et de réduire la tension de la chaîne pour pouvoir la retirer.
- ◆ En prenant soin de porter des gants de travail, prenez la chaîne et soulevez-la hors de la rainure du guide-chaîne.
- ◆ Retournez le guide-chaîne chaque fois que vous remplacez la chaîne afin de correctement répartir l'usure.

- ◆ Positionnez la chaîne neuve dans la fente du guide-chaîne, en veillant à ce que les dents pointent dans la bonne direction pour faire coïncider la flèche et le dessin de la chaîne sur le cache-pignon (6), comme illustré par la Fig. H.
- ◆ Respectez toutes les instructions pour Installer le guide-chaîne et la chaîne.

Des chaînes et des guide-chaînes de rechange sont disponibles dans votre centre d'assistance le plus proche. Cette tronçonneuse utilise des chaînes de rechange de 304 mm.

Guide-chaîne de rechange (304 mm).

## Lubrifier la chaîne et le guide-chaîne (Fig. I)

### Système de lubrification automatique

Cette tronçonneuse est équipée d'un système de lubrification automatique qui assure la lubrification constante de la chaîne et du guide-chaîne.

L'indicateur du niveau d'huile (10) indique le niveau d'huile dans la tronçonneuse. Si le niveau d'huile est à moins d'un quart, retirez la batterie de la tronçonneuse et remplissez réservoir avec une huile du bon type.

Videz toujours le réservoir d'huile après chaque utilisation.

Videz toujours le réservoir d'huile avant de ranger la machine.

**Remarque :** Ne faites jamais fonctionner cette tronçonneuse sans huile.

**Remarque :** Veillez à toujours utiliser une huile pour guide-chaîne et chaîne biodégradable de bonne qualité pour lubrifier la chaîne et le guide-chaîne. Pour élaguer les arbres, de l'huile pour guide-chaîne et chaîne végétale est recommandée car les huiles minérales pourraient être nocives pour les arbres. N'utilisez jamais d'huile sale, usagée ou contaminée. Vous pourriez sinon endommager l'outil.

## Remplir le réservoir d'huile

- ◆ Dévissez le bouchon d'huile (9) dans le sens inverse des aiguilles d'une montre et retirez-le. Remplissez le réservoir avec de l'huile pour guide-chaîne et chaîne recommandée jusqu'à ce que le niveau atteigne le haut de l'indicateur de niveau d'huile (10).
- ◆ Réinstallez le bouchon d'huile et serrez-le dans le sens des aiguilles d'une montre.
- ◆ Veillez à régulièrement éteindre la tronçonneuse pour contrôler l'indicateur du niveau d'huile afin de garantir que le guide-chaîne et la chaîne sont correctement lubrifiés. Veillez à régulièrement éteindre la tronçonneuse pour contrôler l'indicateur du niveau d'huile afin de garantir que le guide-chaîne et la chaîne sont correctement lubrifiés.

## Transporter la tronçonneuse (Fig. J)

- ◆ Veillez à toujours éteindre la machine, à retirer la batterie et à couvrir le guide-chaîne (4) avec le fourreau (11) pour transporter la tronçonneuse.

## Utilisation

**Avertissement !** Afin de réduire le risque de blessure grave, éteignez la machine et retirez le bloc-batterie avant d'effectuer toute opération de réglage ou de retirer/installer tout équipement ou accessoire. Un démarrage accidentel peut entraîner des blessures.

## Position correcte des mains (Fig. K)

**Avertissement !** Afin de réduire tout risque de graves blessures, veillez à toujours respecter la position des mains recommandée et illustrée.

**Avertissement !** Afin de réduire tout risque de blessures graves, maintenez TOUJOURS l'outil fermement pour pouvoir anticiper toute réaction soudaine de sa part.

La position correcte des mains nécessite d'avoir la main gauche sur la poignée avant (13), et la droite sur la poignée arrière (12).

## Utiliser la tronçonneuse (Fig. K)

**Avertissement !** Veillez à lire et à bien assimiler toutes les instructions. Le non-respect de toutes les instructions listées ci-dessous peut conduire à des décharges électriques, des incendies et/ou de graves blessures.

- ◆ Protection contre les rebonds qui peuvent engendrer de graves blessures ou la mort. Consultez les sections Avertissements de sécurité générale propres aux outils électriques, Avertissements de sécurité générale propres aux tronçonneuses et Causes et prévention des rebonds par l'opérateur, afin d'éviter tout risque de rebond.
- ◆ Ne vous penchez pas. Ne tronçonnez pas à une hauteur supérieure à celle de votre torse. Assurez-vous d'avoir une posture stable. Gardez les pieds écartés. Répartissez correctement votre poids sur vos deux pieds.
- ◆ Agrippez fermement la poignée avant (13) avec votre main gauche et la poignée arrière (12) avec votre main droite, de sorte que votre corps soit à gauche du guide-chaîne (4).
- ◆ Ne tenez pas la tronçonneuse par l'arceau de freinage/protège-main avant (3). Gardez le coude de votre bras gauche verrouillé de façon que votre bras reste droit pour résister à un rebond.

**Avertissement !** N'inversez jamais la position de vos mains (main gauche sur la poignée arrière et main droite sur la poignée avant).

**Avertissement !** Ne laissez aucune partie de votre corps en ligne avec le guide-chaîne lorsque la tronçonneuse est en marche.

- ◆ N'utilisez jamais la tronçonneuse si vous êtes dans un arbre ou dans toute autre position délicate ou si vous êtes sur une échelle ou toute autre surface instable. Vous pourriez perdre le contrôle de la tronçonneuse et subir de graves blessures.
- ◆ Gardez toujours la tronçonneuse à plein régime pendant la découpe.
- ◆ Laissez la chaîne faire le travail. N'exercez qu'une faible pression. N'appuyez pas sur la tronçonneuse en fin de coupe.

**Avertissement !** Quand la tronçonneuse n'est pas utilisée, enclenchez toujours le frein de chaîne et retirez la batterie.

### Régler le frein de la chaîne (Fig. K, L)

Votre tronçonneuse est équipée d'un système de freinage de la chaîne qui arrête rapidement la chaîne en cas de rebond.

- ◆ Veillez à ce que le frein/protège-main avant (3) soit poussé vers l'avant.
- ◆ Insérez le bloc-batterie (14) dans l'outil.
- ◆ Tirez le frein/protège-main avant (3) vers la poignée avant (13) en position "Prêt", comme illustré par la Fig. L.
- ◆ L'outil est alors prêt à l'emploi.
- ◆ Après utilisation, ramenez le frein/protège-main dans sa position vers l'avant.
- ◆ Retirez la batterie.

**Remarque :** En cas de rebond, votre main gauche entre en contact avec le carter avant, le poussant vers l'avant, vers la pièce à scier. L'outil est arrêté.

### Tester le frein de la chaîne (Fig. L)

Testez le frein de la chaîne avant chaque utilisation afin de vous assurer qu'il fonctionne correctement.

- ◆ Positionnez l'outil sur une surface plate et ferme. Veillez à ce que la chaîne (5) soit loin du sol.
- ◆ Tenez l'outil fermement avec les deux mains et mettez la tronçonneuse en marche.
- ◆ Tournez votre main gauche vers l'avant autour de la poignée avant (13) de sorte que l'arrière de main touche le frein/protège-main avant (3) et poussez vers l'avant, vers ce que vous êtes en train de scier. La tronçonneuse doit s'arrêter immédiatement.

**Remarque :** Si la tronçonneuse ne s'arrête pas immédiatement, n'utilisez plus l'outil et emmenez-le dans le centre d'assistance agréé le plus proche.

**Avertissement !** Assurez-vous de régler le frein de chaîne avant de scier.

### Interrupteur Marche/Arrêt (Fig. M)

Veillez à toujours conserver une bonne posture et à tenir la tronçonneuse fermement à deux mains avec votre pouce et vos autres doigts encerclant les deux poignées.

- ◆ Pour mettre la machine en marche, enfoncez le levier de verrouillage (2), illustré sur la Fig. M et appuyez sur l'interrupteur à gâchette (1). Une fois la machine en marche, vous pouvez relâcher le levier de verrouillage.
- ◆ Pour maintenir l'appareil en marche, vous devez maintenir la gâchette enfoncée. Pour éteindre l'appareil, relâchez la gâchette.

### Affûter la chaîne (Fig. N - P)

**Attention :** La chaîne est tranchante. Veillez à toujours porter des gants de travail lorsque vous manipulez la chaîne. La chaîne est très tranchante et elle peut vous couper, même à l'arrêt.

**Avertissement !** Chaîne tranchante en mouvement. Afin d'éviter toute mise en marche accidentelle, assurez-vous que la batterie n'est pas dans l'outil avant de réaliser les opérations qui suivent. Le non-respect de cette consigne peut entraîner de graves blessures.

**Remarque :** Les tranchants s'émoussent immédiatement s'ils touchent le sol, des débris ou un clou pendant la coupe.

Pour optimiser les performances de votre tronçonneuse, il est important que les dents de la chaîne soient toujours bien affûtées. Suivez ces conseils pratiques pour affûter la chaîne correctement :

- ◆ Pour obtenir un meilleur résultat, utilisez une lime de 4,5 mm et un porte-lime ou un guide pour affûter la chaîne. Cela vous permet d'avoir toujours le bon angle d'affûtage.
- ◆ Placez le porte-lime à plat sur le tranchant de gouge et la jauge de profondeur du tranchant.
- ◆ Gardez le bon angle de 30 ° pour limer le tranchant de gouge (22) sur votre guide parallèle à votre chaîne (lime à 60 ° de la chaîne vue de côté), comme illustré.
- ◆ Affûtez d'abord les dents d'un côté de la chaîne. Limez de l'intérieur vers l'extérieur de chaque dent. Retournez ensuite l'élagueuse et répétez les étapes (2, 3, 4) pour les dents de l'autre côté de la chaîne.

**Remarque :** Utilisez une lime plate pour limer le haut des limiteurs de profondeur (portion du maillon devant le tranchant) pour qu'ils soient à 0,635 mm environ sous le haut des tranchants, comme illustré ci-dessous.

- ◆ Gardez la même hauteur pour tous les tranchants, comme illustré par la Fig. O.
- ◆ Si la surface en chrome des tranchants de gouge ou des côtés présente des défauts, limez jusqu'à supprimer ces défauts.

**Attention :** Après le limage, la gouge est plus tranchante, soyez particulièrement vigilant pendant cette opération.

**Remarque :** Chaque fois que la chaîne est affûtée, elle perd de sa capacité à réduire les rebonds et il faut alors faire preuve de plus de vigilance. Il est recommandé de ne pas affûter une chaîne plus de quatre fois.

**Rangement pour la clé à six pans (Fig. Q)**

Lorsque vous ne l'utilisez pas, la clé à six pans (16) doit être rangée dans le rangement pour la clé à six pans (17) située sous l'outil.

Tirez sur la clé à six pans pour la sortir de son espace de rangement.

Poussez la clé à six pans dans son espace de rangement pour la ranger.

**Système pour rail mural Stanley (Fig. R, S)**

**Avertissement !** Afin de réduire tout risque de blessures graves, éteignez la machine et retirez le bloc-batterie avant d'effectuer tout réglage ou de retirer/installer toute pièce ou accessoire. Un démarrage accidentel peut entraîner des blessures.

**Avertissement !** Afin de réduire le risque de blessure grave, n'utilisez pas de crochet de suspension intégral pour système de rail mural Stanley ou un système de rail mural Stanley défectueux. Un crochet de suspension intégral pour système de rail mural ou un système de rail mural défectueux ne pourraient pas supporter le poids de l'outil.

**Avertissement !** Afin de réduire le risque de blessure grave, NE suspendez PAS un outil au-dessus du niveau de la tête et ne suspendez aucuns objets par le crochet de suspension intégral. NE suspendez l'outil sur le rail mural du système Stanley qu'à l'aide du crochet de suspension intégral.

**Avertissement !** Le crochet de suspension intégral pour système de rail mural Stanley est prévu pour pouvoir accrocher l'outil à un rail mural.

N'utilisez pas le crochet de suspension intégral pour installer l'outil à un quel qu'autre endroit.

**Avertissement !** Le crochet de suspension intégral pour rail mural Stanley n'est pas un crochet de ceinture.

**Avertissement !** Pour suspendre des objets sur un rail mural Stanley, espacez-les correctement afin de ne pas dépasser 35 kg par pied linéaire.

**Avertissement !** Avant d'utiliser l'outil, veillez à ce que le crochet de suspension intégral pour rail mural Stanley soit revenu dans sa position d'origine.

**Important !** Les accessoires pour le système de rail mural Stanley permettent de fixer correctement les outils compatibles au système de rail mural Stanley, de façon sûre. Éteignez l'outil, retirez le bloc-batterie et retirez les accessoires.

Installer le fourreau du guide-chaîne (11) sur le guide-chaîne (4).

**Attention !** Quel que soit le produit avec organes de coupe apparents, à installer sur le rail du système de rail mural Stanley, il doit être couvert avec son fourreau.

Installez le crochet de suspension intégral (23) sur le rail du système de rail mural Stanley comme illustré par la Fig. R, S. Un clic est émis quand il est verrouillé en place.

**Remarque :** Des accessoires pour le système de rail mural Stanley adaptés à votre outil sont disponibles en option chez votre revendeur ou votre centre d'assistance local agréé.

**Techniques de coupe les plus courantes****Abattage (Fig. T, U)**

Le procédé pour abattre un arbre. N'abattez pas d'arbre en cas de vent violent.

**Avertissement !** L'abattage d'arbre peut engendrer des blessures. Il ne doit être réalisé que par des personnes formées.

Une voie de retraite doit être prévue et rendue accessible avant de commencer l'abattage. La voie de retraite doit se trouver à l'arrière et à la diagonale de la ligne de chute prévue, comme illustré ci-dessous.

- ◆ Avant de commencer l'abattage, prenez en compte l'inclinaison naturelle de l'arbre, l'emplacement des grosses branches et le sens du vent afin de déterminer dans quel sens faire tomber l'arbre. Ayez à disposition des clavettes (bois, plastique ou aluminium) et un maillet lourd. Retirez les débris, pierres, écorces tombantes, clous, crampons et fils de l'arbre au niveau où les entailles d'abattage doivent être réalisées.
- ◆ Découpe par le dessous avec entaille - Faites une entaille d'un tiers du diamètre de l'arbre, perpendiculaire au sens de chute. Effectuez d'abord l'entaille de direction horizontale du bas. Ceci permet d'éviter le pincement de la chaîne ou du guide-chaîne au moment de la seconde entaille comme illustré ci-dessous.
- ◆ Trait de chute - Effectuez le trait de chute 51 mm au moins plus haut que l'entaille de direction. Gardez le trait de chute parallèle à l'entaille de direction horizontale. Réalisez le trait de chute de façon que suffisamment de bois reste pour créer une charnière. La charnière permet d'éviter que l'arbre ne vrille et qu'il chute dans la mauvaise direction. Ne sciez pas à travers la charnière comme illustré ci-dessous.
- ◆ L'arbre doit commencer à tomber dès que le trait de chute se rapproche de la charnière. S'il existe le moindre risque que l'arbre chute dans la mauvaise direction ou qu'il puisse basculer en arrière et coincer la chaîne, arrêtez-vous avant que le trait de chute soit terminé et utilisez des clavettes pour ouvrir le trait et faire tomber l'arbre le long de la ligne de chute voulue. Dès que l'arbre commence à chuter, retirez la chaîne du trait de coupe, arrêtez le moteur, abaissez la tronçonneuse et dirigez-vous vers la voie de retraite. Restez attentif aux branches tombant au-dessus de votre tête et à l'endroit où vous mettez les pieds.

## Ébranchage (Fig. V)

L'ébranchage consiste à scier les branches d'un arbre après sa chute. Pour l'ébranchage, laissez les plus grosses branches du bas soutenir le tronc au-dessus du sol. Sciez les petites branches d'un seul trait. Les branches sous tension doivent être coupées par le bas de la branche et vers le haut pour éviter de coincer la tronçonneuse, comme illustré par la Fig. V. Taillez les branches à partir du côté opposé en maintenant le tronc de l'arbre entre vous et la scie. Ne sciez jamais en plaçant la tronçonneuse entre vos jambes ou en chevauchant la branche à scier.

## Tronçonnage (Fig. W, X, Y, Z)

**Avertissement !** Nous recommandons aux utilisateurs inexpérimentés d'effectuer les coupes sur un chevalet.

Scier des longueurs d'arbre abattu ou de bûches. La façon de scier dépend de la façon dont la bûche est soutenue. Utilisez un chevalet chaque fois que c'est possible, comme illustré par la Fig. W.

- ◆ Commencez toujours à scier alors que la chaîne de la tronçonneuse tourne pleine vitesse.
- ◆ Placez le crampon inférieur de la tronçonneuse derrière la zone de coupe initiale comme illustré par la Fig. W.
- ◆ Allumez la tronçonneuse puis abaissez la chaîne et le guide dans le bois, en utilisant le crampon comme point charnière.
- ◆ Une fois la tronçonneuse à 45 °, mettez à nouveau la tronçonneuse de niveau et répétez ces étapes jusqu'à avoir traversé la pièce à scier.
- ◆ Si l'arbre est soutenu sur toute sa longueur, Fig. X, sciez de haut en bas mais sans toucher le sol pour ne pas émousser votre tronçonneuse prématurément.
- ◆ Si l'arbre n'est soutenu que d'un côté, Fig. Y, sciez 1/3 du diamètre par le dessous. Terminez ensuite la coupe par le dessus pour rejoindre le premier trait de scie, comme illustré par la Fig. Y.
- ◆ Si l'arbre est soutenu des deux côtés, Fig. Z, sciez 1/3 du diamètre par le dessous. Terminez ensuite les 2/3 de la coupe par le dessus pour rejoindre le premier trait de scie, comme illustré par la Fig. Z.

## Dépannage

Problème	Cause possible	Solution possible
L'outil ne démarre pas	Le bouton de verrouillage n'est pas enfoncé.	Appuyez sur le bouton de verrouillage.
	La batterie n'est pas en place	Installez la batterie
	Batterie déchargée	Rechargez la batterie
	La batterie n'est pas installée correctement	Retirez et réinsérez la batterie

Problème	Cause possible	Solution possible	
La chaîne ne s'arrête pas dans les 2 secondes qui suivent l'extinction de l'outil	La chaîne est trop lâche	Contrôlez la tension de la chaîne	
	Le guide/la chaîne est chaud/fume	Réservoir d'huile vide	Contrôlez le niveau d'huile
		Orifice de remplissage d'huile bouché sur le guide-chaîne	Nettoyez les orifices de lubrification et la rainure autour du guide-chaîne.
	La chaîne est trop tendue	Contrôlez la tension de la chaîne	
	L'embout du pignon du guide-chaîne doit être graissé	Graissez le pignon du guide-chaîne	
La tronçonneuse ne scie pas bien	La chaîne tourne vers l'arrière	Contrôlez/modifiez le sens de rotation de la chaîne	
		Affûtez	
La tronçonneuse n'utilise pas d'huile	Débris dans le réservoir	Videz l'huile du réservoir et remplacez	
	Orifice de remplissage d'huile bouché	Retirez les débris de l'orifice	
	Débris dans le guide-chaîne	Retirez les débris et nettoyez le guide-chaîne	
	Débris dans la sortie d'huile	Retirez les débris	
La tronçonneuse s'arrête brutalement	Batterie déchargée	Vérifiez la charge de la batterie en appuyant sur le témoin d'état de charge. Rechargez la batterie si nécessaire.	
	Batterie trop chaude	Laissez refroidir la batterie 30 minutes au moins avant de continuer ou de la recharger.	
	Protection de limitation de courant	Redémarrez la tronçonneuse. Laissez l'outil fonctionner à son propre rythme. Ne le poussez pas au-delà de sa limite.	

## Maintenance

Un entretien régulier permet de prolonger la durée de vie de l'outil. Il est conseillé de procéder régulièrement aux vérifications suivantes.

**Avertissement !** À ne pas oublier avant l'entretien des outils électroportatifs :

- ◆ Éteignez l'outil et débranchez-le du secteur.

## Niveau d'huile

Le réservoir doit toujours être rempli au moins au quart de sa capacité.

## Chaîne et guide-chaîne

- ◆ Après quelques heures d'utilisation à chaque fois et avant de ranger votre tronçonneuse, retirez le guide-chaîne et la chaîne et nettoyez-les avec soin.
- ◆ La protection doit être propre. Nettoyez tous les débris.
- ◆ Lubrifiez l'extrémité du pignon et le guide-chaîne par les orifices de lubrification sur le pignon. Ceci permet d'uniformiser l'usure autour des rails du guide-chaîne.

## Affûter la chaîne

Pour optimiser les performances de l'outil, il est important que les dents de la chaîne soient toujours bien affûtées.

Les instructions relatives à cette opération sont fournies avec le kit d'affûtage.

## Remplacer une chaîne usée

Vous pouvez vous procurer des chaînes de rechange auprès des détaillants ou des prestataires de services STANLEY FATMAX. Utilisez toujours des pièces détachées d'origine.

## Tranchant de la chaîne

Les dents de la chaîne s'émousent immédiatement si elles touchent le sol ou un clou pendant la coupe.

## Tension de la chaîne

Vérifiez régulièrement la tension de la chaîne.

## Que faire si votre tronçonneuse doit être réparée ?

Votre tronçonneuse a été fabriquée conformément aux normes de sécurité en vigueur. Les réparations ne doivent être effectuées que par des personnes qualifiées utilisant des pièces détachées d'origine, sous peine d'exposer l'utilisateur à de graves dangers. Nous vous conseillons de conserver cette notice dans un endroit sûr.

## Protection de l'environnement



Tri sélectif. Les produits et piles/batteries marqués de ce symbole ne doivent pas être jetés avec les déchets ménagers.

Les produits et les piles/batteries contiennent des matières qui peuvent être récupérées et recyclées afin de réduire la demande en matières premières.

Veillez à recycler les produits électriques et les piles/batteries conformément aux prescriptions locales en vigueur. Pour plus d'informations, consultez le site [www.2helpU.com](http://www.2helpU.com)

## Caractéristiques techniques

		SFMCSS730
Tension	$V_{CC}$	18
Longueur du guide-chaîne	mm	300
Vitesse de la chaîne (à vide)	m/s	6,7
Longueur de coupe maxi	mm	250
Capacité d'huile	ml	150
Poids	kg	2,51 (sans chaîne, guide-chaîne, fourreau, huile ni batterie)

Chargeur		SFMCB11	SFMCB12	SFMCB14
Tension d'entrée	$V_{CA}$	230	230	230
Tension de sortie	$V_{CC}$	18	18	18
Courant	A	1,25	2	4

Batterie		SFMCB201	SFMCB202	SFMCB204	SFMCB206
Tension	$V_{CC}$	18	18	18	18
Capacité	Ah	1,5	2,0	4,0	6,0
Type		Li-Ion	Li-Ion	Li-Ion	Li-Ion

Niveau de pression sonore selon la norme EN 62841 :
$L_{pA}$ (pression sonore) 87 dB(A), incertitude (K) 3 dB(A)
$L_{WA}$ (puissance sonore) 99 dB(A), incertitude (K) 1,6 dB(A)
Valeurs totales des vibrations (somme vectorielle triaxiale) selon la norme EN 62841 :
Valeur des vibrations émises ( $a_{hV}$ ) 6,5 $m/s^2$ , incertitude (K) 1,5 $m/s^2$

## Déclaration de conformité CE

DIRECTIVES MACHINES



SFMCSS730– Tronçonneuse compacte  
STANLEY

FATMAX certifie que les produits décrits dans les "Caractéristiques techniques" sont en conformité avec : 2006/42/CE, EN 62841-1:2015+A11:2022, EN 62841-4-1:2020, 2000/14/CE, Annexe V

LWA (niveau de puissance sonore mesuré) 99 dB(A), incertitude (K) = 1,6 dB (A),

LWA (puissance sonore garantie) 101 dB(A)

Ces produits sont également conformes aux Directives 2014/30/UE et 2011/65/UE.

Pour obtenir plus de précisions, veuillez contacter STANLEY FATMAX à l'adresse suivante ou vous reporter au dos du manuel.

Le soussigné est responsable de la compilation du dossier technique et il fait cette déclaration au nom de STANLEY FATMAX

*Patrick Diepenbach*

Patrick Diepenbach  
General Manager, Benelux  
Stanley FatMax,  
Egide Walschaertsstraat 14-18  
2800 Mechelen, Belgique  
28/06/2023

## Garantie

STANLEY FATMAX est sûr de la qualité de ses produits et offre une garantie de 12 mois aux utilisateurs, à partir de la date d'achat. Cette garantie s'ajoute à vos droits légaux auxquels elle ne porte aucunement préjudice. Cette garantie est valable au sein des territoires des états membres de l'Union européenne, de la zone européenne de libre-échange et du Royaume-Uni.

Pour prétendre à la garantie, la réclamation doit être en conformité avec les conditions générales de STANLEY FATMAX et vous devez fournir une preuve d'achat au vendeur ou au réparateur agréé. Les conditions générales de la garantie STANLEY FATMAX de 1 an ainsi que l'adresse du réparateur agréé le plus proche sont disponibles sur le site Internet [www.2helpU.com](http://www.2helpU.com) ou en contactant votre agence STANLEY FATMAX locale à l'adresse indiquée dans cette notice.

Visitez notre site Internet [www.stanley.eu/3](http://www.stanley.eu/3) pour enregistrer votre nouveau produit STANLEY FATMAX et pour être tenu informé des nouveaux produits et des offres spéciales.

## Usò previsto

L'elettrosega compatta STANLEY FATMAX, SFMCCS730 è stata progettata per applicazioni leggere di taglio e potatura. Questo elettroutensile è concepito per uso professionale e privato, da parte di utilizzatori non professionisti.

## Istruzioni di sicurezza

### Avvertenze di sicurezza generali riguardanti gli elettroutensili



**Avvertenza! Leggere attentamente tutte le avvertenze, istruzioni, illustrazioni e specifiche fornite con l'elettroutensile.** Il mancato rispetto delle istruzioni seguenti può dar luogo a scosse elettriche, incendi e/o lesioni gravi.

### Conservare tutte le avvertenze e le istruzioni per riferimenti futuri.

Il termine "elettroutensile" utilizzato in tutte le avvertenze elencate di seguito fa riferimento sia agli utensili alimentati tramite una rete elettrica (con cavo) che agli utensili elettrici a batteria (cordless).

#### 1. Sicurezza dell'area di lavoro

- Mantenere pulita e bene illuminata l'area di lavoro.** Il disordine o la scarsa illuminazione possono favorire il verificarsi di incidenti.
- Evitare di usare gli elettroutensili in ambienti esposti al rischio di esplosione, come ad esempio in presenza di liquidi, gas o polveri infiammabili.** Gli elettroutensili generano scintille che potrebbero incendiare polveri o fumi.
- Durante l'uso di un elettroutensile, tenere a distanza i bambini e le altre persone presenti.** Eventuali distrazioni possono provocare la perdita di controllo dello stesso.

#### 2. Sicurezza elettrica

- La spina dell'elettroutensile deve essere adatta alla presa di corrente. Non modificare la spina in alcun modo. Non utilizzare spine con adattatore con gli elettroutensili dotati di messa a terra.** Per ridurre il rischio di scosse elettriche evitare di modificare le spine e utilizzare sempre le prese di corrente appropriate.
- Evitare il contatto fisico con superfici collegate a terra, come tubi, radiatori, forni e frigoriferi.** Se il corpo dell'operatore è collegato a terra, il rischio di scosse elettriche aumenta.
- Non esporre gli elettroutensili alla pioggia o all'umidità.** Se dovesse penetrare dell'acqua all'interno di un elettroutensile, il rischio che si verifichino scosse elettriche aumenta.
- Non utilizzare il cavo di alimentazione in modo improprio.**



- Non spostare, tirare o scollegare mai un elettro utensile dalla presa di corrente tirandolo dal cavo di alimentazione. Tenere il cavo di alimentazione lontano da fonti di calore, olio, bordi taglienti o parti in movimento.** Un cavo di alimentazione danneggiato o impigliato fa aumentare il rischio di scosse elettriche.
- e. **Se un elettro utensile viene utilizzato all'aperto, scegliere esclusivamente prolunghe omologate per l'impiego all'esterno.** L'uso di un cavo di alimentazione idoneo per esterni riduce il rischio di scosse elettriche.
  - f. **Se non è possibile evitare di utilizzare un elettro utensile in una zona umida, collegarsi a una rete elettrica protetta tramite un interruttore differenziale salvavita (RCD).** L'uso di un RCD riduce il rischio di scosse elettriche.
3. **Sicurezza delle persone**
    - a. **Rimanere in guardia, concentrarsi su ciò che si sta facendo e maneggiare con giudizio un elettro utensile. Non utilizzare un elettro utensile quando si è stanchi o sotto l'effetto di sostanze stupefacenti, alcool o farmaci.** Un solo attimo di distrazione durante l'uso di un elettro utensile potrebbe provocare gravi lesioni alle persone.
    - b. **Utilizzare dispositivi di protezione individuale. Indossare sempre dispositivi di protezione per gli occhi.** L'uso di dispositivi di protezione, quali maschere antipolvere, scarpe antinfortunistiche antiscivolo, elmetti o protezioni per l'udito, in condizioni opportune consente di ridurre le lesioni personali.
    - c. **Prevenire l'avvio involontario. Accertarsi che l'interruttore sia nella posizione di spegnimento, prima di collegare un elettro utensile alla rete elettrica e/o alla batteria, prenderlo in mano o trasportarlo.** Per non esporsi al rischio di incidenti, non trasportare l'elettro utensile tenendo le dita sull'interruttore e non collegarlo a una fonte di alimentazione elettrica se l'interruttore è in posizione di accensione.
    - d. **Prima di accendere un elettro utensile, rimuovere chiavi o utensili di regolazione.** Un utensile di regolazione o una chiave fissati a una parte rotante dell'elettro utensile potrebbero causare lesioni personali.
    - e. **Non sbilanciarsi. Mantenere sempre un appoggio e un equilibrio adeguati.** Così facendo è possibile controllare meglio l'elettro utensile nelle situazioni impreviste.
    - f. **Indossare vestiario adeguato. Non indossare abiti non aderenti al corpo o gioielli. Tenere i capelli, gli indumenti e i guanti lontano dalle parti in movimento.** Abiti non aderenti al corpo, gioielli o capelli lunghi possono rimanervi impigliati.
    - g. **Se gli elettro utensili sono provvisti di attacchi per il collegamento di dispositivi di aspirazione o di raccolta delle polveri, assicurarsi che questi ultimi siano installati e utilizzati correttamente.** L'impiego di dispositivi di aspirazione delle polveri può ridurre i pericoli legati alle stesse.
    - h. **Non lasciare che la dimestichezza acquisita dall'uso frequente degli elettro utensili induca a cedere alla tentazione di ignorare i principi di utilizzo sicuro degli stessi.** Un'azione imprudente potrebbe provocare lesioni gravi in una frazione di secondo.
  4. **Uso e cura dell'elettro utensile**
    - a. **Non forzare l'elettro utensile. Utilizzare l'elettro utensile corretto per il lavoro da eseguire.** L'elettro utensile corretto funziona meglio e in modo più sicuro se viene utilizzato alla velocità per cui è stato progettato.
    - b. **Non usare l'elettro utensile se l'interruttore di accensione/spengimento non funziona.** Qualsiasi elettro utensile che non possa essere controllato tramite l'interruttore è pericoloso e deve essere riparato.
    - c. **Scollegare la spina dalla presa di corrente e/o il pacco batteria dall'elettro utensile prima di eseguire qualsiasi tipo di regolazione, sostituire gli accessori o riporlo.** Tali misure di sicurezza preventive riducono il rischio di azionare accidentalmente l'elettro utensile.
    - d. **Quando non vengono usati, gli elettro utensili devono essere custoditi fuori dalla portata dei bambini. Non consentire l'uso da parte di persone inesperte o che non abbiano letto queste istruzioni.** Gli elettro utensili sono pericolosi in mano a persone inesperte.
    - e. **Sottoporre gli elettro utensili a regolare manutenzione. Verificare che le parti mobili siano correttamente allineate e non inceppate, che non vi siano componenti rotti e che non sussistano altre condizioni che potrebbero compromettere il funzionamento degli elettro utensili. Se un elettro utensile è danneggiato, farlo riparare prima dell'uso.** Molti incidenti sono provocati da elettro utensili non sottoposti a una corretta manutenzione.
    - f. **Mantenere gli utensili da taglio affilati e puliti.** La manutenzione corretta degli utensili da taglio con bordi affilati riduce le probabilità di inceppamento e ne facilita il controllo.
    - g. **Utilizzare l'elettro utensile, gli accessori, le punte, ecc. in conformità a queste istruzioni, tenendo conto delle condizioni operative e del lavoro da eseguire.** L'utilizzo dell'elettro utensile per impieghi diversi da quelli previsti può provocare situazioni di pericolo.
    - h. **Mantenere le impugnature e le superfici di presa asciutte, pulite e senza tracce di olio o grasso.**

**Impugnatura e superfici di presa scivolose non consentono di maneggiare e controllare in modo sicuro l'elettrotensile nel caso di imprevisti.**

## 5. Uso e cura degli elettrotensili a batteria

- a. **Caricare la batteria utilizzando esclusivamente il caricabatterie specificato dal fabbricante.** Un caricabatterie adatto a un determinato tipo di pacco batteria può provocare il rischio di incendio se utilizzato con un pacco batteria diverso.
- b. **Usare gli elettrotensili solo con i pacchi batteria specificamente destinati agli stessi.** L'uso di pacchi batteria di tipo diverso potrebbe comportare il rischio di lesioni personali e di incendio.
- c. **Quando il pacco batteria non viene usato tenerlo lontano da altri oggetti metallici, quali graffette, monete, chiavi, chiodi, viti o altri oggetti metallici di piccole dimensioni, che potrebbero cortocircuitare un morsetto con l'altro.** Se i terminali della batteria vengono cortocircuitati si potrebbero causare ustioni o un incendio.
- d. **In condizioni di uso improprio, potrebbe fuoriuscire del liquido dalla batteria. Evitare di toccarlo. In caso di contatto accidentale, lavare la pelle con acqua. Se il liquido dovesse venire a contatto con gli occhi, rivolgersi anche a un medico.** Il liquido che fuoriesce dalla batteria può causare irritazioni o ustioni.
- e. **Non utilizzare un pacco batteria o un elettrotensile danneggiati o modificati.** Le batterie danneggiate o modificate potrebbero manifestare un comportamento imprevedibile, con la possibilità di causare un'esplosione o un incendio o lesioni personali.
- f. **Non esporre un pacco batteria o un elettrotensile alle fiamme o a temperature elevate.** L'esposizione al fuoco o a una temperatura superiore a 130 °C potrebbe provocare un'esplosione. NOTA: 130 °C di temperatura corrispondono a una temperatura di 265 °F.
- g. **Seguire tutte le istruzioni per la carica e non caricare il pacco batteria o l'elettrotensile a una temperatura che non rientri nell'intervallo di valori specificato nelle istruzioni.** Una ricarica effettuata in maniera scorretta o a una temperatura che non rientra nell'intervallo di valori specificato, potrebbe danneggiare la batteria aumentando il rischio d'incendio.

## 6. Assistenza

- a. **Fare riparare l'elettrotensile esclusivamente da personale specializzato e solo usando ricambi originali.** In questo modo sarà mantenuta la sua sicurezza.
- b. **Non tentare di riparare pacchi batteria danneggiati.**

Gli interventi di riparazione sui pacchi batteria devono essere eseguiti dal produttore o da fornitori di assistenza autorizzati (solo per gli elettrotensili a batteria).

## Avvertenze generali di sicurezza per gli elettrotensili



**Avvertenza!** Ulteriori avvertenze di sicurezza per le elettroseghe

- ◆ **Mantenere tutte le parti del corpo lontane dall'elettrosega quando quest'ultima è in funzione. Prima di accendere l'elettrosega, assicurarsi che la catena non sia a contatto con alcun oggetto.** Un attimo di distrazione durante l'impiego dell'elettrosega potrebbe causare l'impigliamento di indumenti o parti del corpo nell'elettrosega stessa.
- ◆ **Tenere sempre l'elettrosega con la mano destra sull'impugnatura posteriore e quella sinistra sull'impugnatura anteriore.** Tener l'elettrosega con le mani nella posizione contraria rispetto a quanto consigliato aumenta il rischio di lesioni personali: non bisognerebbe mai farlo.
- ◆ **Afferrare l'elettrosega solo dall'impugnatura provvista di materiale isolante, dato che la catena potrebbe venire a contatto con cavi nascosti.** Il contatto tra la catena dell'elettrosega e un filo elettrico sotto tensione metterebbe sotto tensione anche le parti metalliche esposte dell'elettrosega e potrebbe provocare la folgorazione dell'operatore.
- ◆ **Indossare occhiali di sicurezza. Si consiglia inoltre di indossare dispositivi di protezione per l'udito e per il capo, le mani, le gambe e i piedi.** Dispositivi di protezione idonei riducono il rischio di lesioni personali causate dal distacco di rami o dal contatto accidentale con l'elettrosega.
- ◆ **Non usare l'elettrosega mentre ci si trova su un albero, su una scala, su un tetto o su qualsiasi altra superficie poco stabile.** L'utilizzo dell'elettrosega in questo modo potrebbe dar luogo a gravi lesioni personali.
- ◆ **Mantenere sempre un buon equilibrio e utilizzare l'elettrosega solo quando ci si trova su una superficie stabile, sicura e piana.** Superfici sdruciolevoli o poco stabili, come le scale a pioli, potrebbero causare la perdita di equilibrio o di controllo dell'elettrosega.
- ◆ **Se si taglia un ramo sotto tensione, prestare attenzione all'effetto "molla".** Quando la tensione nelle fibre del legno viene rilasciata, il ramo, caricato come una molla, potrebbe colpire l'operatore e/o fargli perdere il controllo dell'elettrosega.
- ◆ **Prestare la massima attenzione quando si tagliano cespugli e giovani pertiche.**

Il materiale sottile potrebbe fare inceppare l'elettrosega ed essere proiettato con violenza verso l'operatore o fargli perdere l'equilibrio.

- ◆ **Trasportare l'elettrosega spenta lontana del corpo, afferrandola dall'impugnatura anteriore. Durante il trasporto o quando si ripone l'elettrosega montare sempre il copribarra.** Il corretto maneggio dell'elettrosega riduce la probabilità di contatto accidentale con la catena in movimento.
- ◆ **Seguire le istruzioni relative alla lubrificazione, al tensionamento della catena e alla sostituzione degli accessori.** Le catene tese o lubrificate in modo errato possono o rompersi o aumentare la probabilità di contraccolpi.
- ◆ **Tagliare solo il legno. Non usare l'elettrosega per scopi diversi da quelli previsti. Per esempio, non utilizzare l'elettrosega per tagliare plastica, muratura o materiali da costruzione diversi dal legno.** L'impiego dell'elettrosega per usi diversi da quelli previsti può dar luogo a situazioni di pericolo.
- ◆ **Non tentare di abbattere un albero prima di aver compreso i rischi connessi e come evitarli.** Durante l'abbattimento di un albero l'operatore o altre persone presenti potrebbero subire gravi lesioni.
- ◆ **Seguire tutte le istruzioni quando si rimuove materiale inceppato, si ripone o si effettua la manutenzione dell'elettrosega. Assicurarsi che l'interruttore sia spento e il pacco batteria rimosso.** L'attivazione accidentale dell'elettrosega durante la rimozione di materiale inceppato o l'esecuzione di interventi di manutenzione su di esso può provocare lesioni personali gravi.

### Avvertenze di sicurezza aggiuntive per gli elettroutensili



**Avvertenza!** Ulteriori avvertenze di sicurezza per le elettroseghe compatte.

L'uso previsto è descritto in questo manuale d'istruzioni. Non usare l'elettrosega per eseguire lavori diversi da quelli previsti; ad esempio, non utilizzarla per abbattere alberi. Se questo elettroutensile viene usato con accessori o per usi diversi da quelli raccomandati in questo manuale d'uso, si potrebbero verificare lesioni personali.

- ◆ **Indossare indumenti aderenti al corpo e protettivi, oltre che un elmetto di sicurezza con visiera/occhiali, protezioni per l'udito, calzature antiscivolo, pantaloni antitaglio e guanti di cuoio robusti.**
- ◆ **L'operatore deve sempre posizionarsi al riparo dalla traiettoria di caduta dei rami.**
- ◆ **La distanza di sicurezza tra un ramo da abbattere ed eventuali persone, edifici e altri oggetti deve essere pari a due volte e mezzo la lunghezza del ramo.**

Eventuali persone, edifici od oggetti che si trovino entro tale distanza rischiano di essere colpiti dal ramo in caduta.

- ◆ **Mettere a punto un programma di sicurezza che consenta di allontanarsi dai rami che stanno per essere abbattuti.** Assicurarsi che il percorso di fuga sia libero da ostacoli che possono impedire o intralciare il movimento. Ricordare che l'erba umida e la corteccia appena tagliata sono scivolose.
- ◆ **Assicurarsi che nelle vicinanze (ma a distanza di sicurezza), sia sempre disponibile qualcuno che possa intervenire in caso di incidente.**
- ◆ **Non usare l'elettrosega mentre ci si trova su un albero, su una scala a pioli o su qualsiasi altra superficie poco stabile.**
- ◆ **Mantenere sempre un appoggio e un equilibrio adeguati.**
- ◆ **Tenere saldamente l'elettrosega con entrambe le mani quando il motore è in funzione.**
- ◆ **Non lasciare che la catena in movimento tocchi alcun oggetto in prossimità della punta della barra di guida.**
- ◆ **Avviare un taglio solo quando la catena è alla massima velocità.**
- ◆ **Non tentare di inserirsi in un taglio precedente.** Eseguire sempre un taglio nuovo.
- ◆ **Prestare attenzione allo spostamento di rami o ad altre forze che potrebbero chiudere un taglio e schiacciare o cadere nella catena.**
- ◆ **Non tentare di tagliare un ramo il cui diametro sia superiore alla lunghezza di taglio dell'elettrosega.**
- ◆ **Rimuovere sempre la batteria dall'elettrosega e infilare il carter copricatena sulla catena quando si ripone o si trasporta l'elettrotensile.**
- ◆ **La catena deve sempre essere affilata e ben tesa.** Controllare la tensione a intervalli regolari.
- ◆ **Spegner l'elettrosega, attendere che la catena si arresti e rimuovere la batteria prima di eseguire qualsiasi regolazione o intervento di manutenzione o riparazione.**
- ◆ **Usare esclusivamente ricambi e accessori originali.**
- ◆ **Mantenere le impugnature pulite e libere da tracce di olio o grasso.** La presenza di olio o grasso sulle impugnature le rende scivolose, causando la perdita di controllo dell'elettrotensile.
- ◆ **I denti della barra paraurti dentata potrebbero diventare affilata col tempo.** Manipolarla con attenzione.
- ◆ **Durante l'impiego dell'elettrosega, la barra della catena potrebbe riscaldarsi.** Manipolarla con attenzione.

### Possibili cause di contraccolpo e accorgimenti per impedirlo

Potrebbe verificarsi un contraccolpo quando la punta della barra di guida tocca un oggetto o quando il legno tagliato si richiude e la catena si incastra nel taglio.

A volte il contatto con la punta può causare una reazione inversa improvvisa, spingendo la barra di guida verso l'alto e indietro verso l'operatore.

Se la catena dell'elettrosega rimane incastrata lungo la parte superiore della barra di guida è possibile che la barra venga spinta indietro velocemente contro l'operatore.

Entrambe queste reazioni possono causare la perdita di controllo dell'elettrosega con la probabilità di subire gravi lesioni personali. Non fare affidamento esclusivamente sui dispositivi di sicurezza integrati nell'elettrosega. L'operatore dell'elettrosega ha la responsabilità di adottare contromisure per eseguire lavori di taglio in modo da non causare incidenti o lesioni alle persone.

Un contraccolpo è la conseguenza di un uso non appropriato o non corretto dell'elettrosega e può essere evitato solamente adottando le misure di sicurezza idonee, descritte di seguito:

- ◆ **tenere saldamente l'elettrosega afferrando le impugnature con i pollici e le altre dita. Afferrando l'elettrosega con entrambe le mani, posizionare il corpo e il braccio in modo da essere in grado di far fronte ad eventuali contraccolpi.** L'operatore potrà resistere alla forza esercitata da eventuali contraccolpi adottando le precauzioni del caso; non lasciare andare l'elettrosega;
- ◆ **non sbilanciarsi e non tagliare oltre l'altezza della spalla.** In questo modo si evita il contatto involontario con la punta e si mantiene un miglior contatto dell'elettrosega nel caso di situazioni impreviste;
- ◆ **utilizzare solamente le barre di guida e le catene di ricambio indicate dal fabbricante.** Sostituire la barra di guida o la catena con ricambi non idonei può causare la rottura della catena e/o contraccolpi;
- ◆ **rispettare le istruzioni per l'affilatura e la manutenzione della catena fornite dal fabbricante.** La riduzione dell'altezza dell'indicatore di profondità aumenta la possibilità che si verifichino contraccolpi.

### Consigli di sicurezza per l'elettrosega

- ◆ Consigliamo vivamente a chi utilizza un'elettrosega per la prima volta di farsi dare consigli pratici da un esperto sia per quanto riguarda l'impiego della macchina che i dispositivi di protezione. Fare pratica segnando ceppi su un cavalletto o un'intelaiatura di sostegno.
- ◆ Durante il trasporto dell'elettrosega consigliamo di rimuovere la batteria e di tenere la catena rivolta all'indietro.
- ◆ Quando non viene usata, l'elettrosega deve essere sottoposta alla necessaria manutenzione.

Non riporre mai l'elettrosega senza averne rimosso la catena e la barra di guida, che devono essere conservate in un bagno d'olio. Riporre tutti i componenti dell'elettrosega in un luogo sicuro e asciutto, fuori dalla portata dei bambini.

- ◆ Consigliamo di svuotare il serbatoio dell'olio prima di riporre l'elettrosega.
- ◆ Prima di eseguire lavori di abbattimento o sramatura assicurarsi di avere un buon appoggio e prevedere una via di fuga sicura in caso di caduta di alberi o rami.
- ◆ Fare uso di cunei per agevolare il controllo dell'abbattimento ed evitare che la catena e la barra di guida si blocchino nel taglio.
- ◆ Cura dell'elettrosega La catena deve essere sempre affilata e bene aderente alla barra di guida. Verificare che la catena e la barra di guida siano pulite e perfettamente lubrificate. Mantenere le impugnature pulite e libere da olio o grasso.

### Eventuali contraccolpi possono essere causati da:

- ◆ contatto accidentale contro rami o altri oggetti colpiti dalla punta della catena dell'elettrosega in movimento;
- ◆ contatto con metallo, cemento o altri materiali duri che si trovano in prossimità del legno o al suo interno;
- ◆ catena con denti smussati o allentata;
- ◆ taglio eseguito oltre l'altezza della spalla dell'operatore;
- ◆ disattenzione mentre si sorregge o si manovra l'elettrosega durante il taglio;
- ◆ operatore che si sporge eccessivamente. Mantenersi sempre saldi sui piedi e bene equilibrati, evitando di sporgersi;
- ◆ tentativo di inserire la barra in un taglio praticato in precedenza. Ciò potrebbe causare un contraccolpo. Praticare un nuovo taglio ogni volta.
- ◆ Si suggerisce vivamente di non tentare di utilizzare l'elettrosega mentre si è su un albero, una scala a pioli o qualsiasi altra superficie poco stabile. Se si dovesse decidere di farlo comunque, si ricordi che queste posizioni sono estremamente pericolose.
- ◆ Quando si taglia un ramo che è sotto tensione, prepararsi per un contraccolpo, in modo da non essere colpiti quando tale tensione viene eliminata.

### Evitare di tagliare:

- ◆ legname lavorato;
- ◆ il terreno;
- ◆ recinzioni metalliche, chiodi, ecc.;
- ◆ piccoli cespugli e giovani pertiche perché la catena della sega può incepparsi nel materiale sottile e schizzare verso l'operatore oppure fargli perdere l'equilibrio.
- ◆ Non utilizzare l'elettrosega sollevandola oltre l'altezza della spalla.

- ◆ Assicurarsi che nelle vicinanze (ma a distanza di sicurezza), sia sempre disponibile qualcuno che possa intervenire in caso di incidente.
- ◆ Se, per qualsiasi motivo, dovesse essere necessario toccare la catena, accertarsi che l'elettrosega sia spenta e che la batteria sia stata rimossa.
- ◆ Il rumore prodotto dall'elettrosega può superare 80 dB(A). Si suggerisce, pertanto, di adottare le misure del caso per proteggere l'udito.

### Rischi residui.

L'utilizzo dell'elettrotensile può comportare rischi residui non necessariamente riportati in queste avvertenze di sicurezza. Tali rischi possono verificarsi a seguito di un uso prolungato o improprio, ecc.

Malgrado il rispetto delle norme di sicurezza pertinenti e l'implementazione di dispositivi di sicurezza, alcuni rischi residui non possono essere evitati. Tali rischi includono:

- ◆ lesioni personali causate o subite a seguito del contatto con parti rotanti/in movimento;
- ◆ lesioni personali causate o subite durante la sostituzione di parti, lame o accessori;
- ◆ lesioni personali causate dall'impiego prolungato di un elettrotensile (quando si utilizza qualsiasi elettrotensile per periodi prolungati, assicurarsi di fare regolarmente delle pause);
- ◆ menomazioni uditive;
- ◆ rischi per la salute causati dall'aspirazione di polvere generata dall'utilizzo dell'elettrotensile (ad esempio quando si lavora con il legno, in modo particolare quello di quercia o faggio o l'MDF).

### Rumorosità e vibrazioni

I valori di emissione di vibrazioni e il/i valore/i di rumore dichiarati nella sezione "Dati tecnici" e nella Dichiarazione di conformità di questo manuale sono stati misurati in base al metodo di prova standard previsto ai sensi della norma EN 62841 e possono essere usati come parametri di confronto tra due elettrotensili. I valori di emissione di vibrazioni e il/i valore/i di rumore dichiarati possono anche essere usati per una valutazione preliminare dell'esposizione.

**Avvertenza!** Il livello di emissione di vibrazioni e di rumore durante l'uso effettivo dell'elettrotensile può differire dal valore dichiarato, a seconda delle sue modalità di utilizzo. Il livello di emissione di vibrazioni potrebbe superare il valore dichiarato.

Quando si valuta l'esposizione alle vibrazioni per stabilire le misure di sicurezza previste dalla Direttiva 2002/44/CE destinata alla protezione delle persone che utilizzano regolarmente elettrotensili per lo svolgimento delle proprie mansioni, è necessario prendere in considerazione le condizioni effettive di utilizzo dell'elettrotensile e il modo in cui esso viene usato, oltre che tenere conto di tutte le

componenti del ciclo operativo, vale a dire i periodi in cui l'elettrotensile rimane spento, quelli in cui è acceso ma fermo e quelli in cui viene effettivamente utilizzato.

### Etichette sull'elettrotensile

Sull'elettrotensile sono riportati i seguenti pittogrammi insieme al codice data:



**Avvertenza!** Per ridurre il rischio di lesioni personali, l'utilizzatore deve leggere attentamente il manuale di istruzioni.



Non utilizzare l'elettrosega in presenza di forte umidità o sotto la pioggia.



Indossare sempre dispositivi di protezione per il capo, l'udito e la vista.



Indossare una maschera anti-polvere



Indossare sempre guanti.



Indossare sempre scarpe antinfortunistiche antiscivolo.



Tenere sempre l'elettrosega saldamente con entrambe le mani.



Prestare attenzione al contraccolpo dell'elettrosega ed evitare il contatto con la punta della barra di guida della catena.



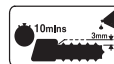
Non utilizzare l'elettrosega con una mano sola.



Spegnere l'elettrotensile. Prima di eseguire interventi di manutenzione sull'elettrotensile, rimuovere la batteria.



Prestare attenzione alla caduta di oggetti. Mantenere gli eventuali presenti a debita distanza.



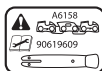
Per garantire costantemente l'uso in sicurezza, controllare, dopo ogni 10 minuti di utilizzo, la tensione della catena, come descritto in questo manuale d'uso e regolarla di nuovo su un gioco di 3 mm, se necessario. Lubrificare la catena ogni 10 minuti di utilizzo.



**Avvertenza!** Non toccare la catena in prossimità del punto di espulsione dei trucioli



Direzione di rotazione della catena.



Allo scopo di garantire un funzionamento sicuro, la catena e la barra di guida devono essere sostituite solo con ricambi originali STANLEY FATMAX. Codice ricambio della catena di ricambio: A6158; codice ricambio della barra di guida: 90619609.



Potenza sonora garantita ai sensi della Direttiva 2000/14/CE.

## Ulteriori istruzioni di sicurezza per batterie e caricabatterie

### Batterie

- ◆ Non tentare mai di aprire una batteria per alcun motivo.
- ◆ Non esporre la batteria all'acqua.
- ◆ Non esporre la batteria al calore.
- ◆ Non conservare la batteria in ambienti in cui la temperatura potrebbe superare 40 °C.
- ◆ Caricare la batteria solo a temperature ambientali comprese tra 10 °C e 40 °C.
- ◆ Caricare la batteria esclusivamente con il caricabatterie fornito in dotazione con l'elettrotensile. L'uso del caricabatterie sbagliato potrebbe causare scosse elettriche o il surriscaldamento della batteria.
- ◆ Quando si smaltiscono le batterie, seguire le istruzioni riportate nella sezione "Protezione dell'ambiente".
- ◆ Non danneggiare/deformare la batteria forandola o colpendola, in quanto ciò potrebbe creare un rischio di lesioni o incendio.
- ◆ Non ricaricare una batteria danneggiata.

**In condizioni estreme, potrebbe verificarsi la perdita di liquido dalla batteria. Se si nota la presenza di liquido sulla batteria, pulirla con attenzione con uno straccio.**

Evitare il contatto con la pelle.

In caso di contatto con la pelle o gli occhi, seguire le istruzioni riportate di seguito.

**Avvertenza! Il liquido delle batterie potrebbe causare lesioni a persone o danni materiali.** In caso di contatto con la pelle, risciacquare immediatamente con acqua. In caso di arrossamento, dolore o irritazione, rivolgersi subito a un medico. In caso di contatto con gli occhi, risciacquarli immediatamente con acqua pulita e consultare un medico.

### Caricabatterie

**Avvertenza! Il caricabatterie è stato progettato per funzionare a una tensione specifica.** Verificare sempre che la tensione di rete corrisponda al valore della tensione indicato sulla targhetta dei valori nominali.

**Avvertenza!** Non tentare mai di sostituire il caricabatterie con una spina elettrica tradizionale.

- ◆ Usare il caricabatterie STANLEY FATMAX solo per ricaricare le batterie dell'elettrotensile con il quale è stato fornito. Batterie diverse potrebbero scoppiare, causando lesioni alle persone e danni materiali.
- ◆ Non tentare mai di caricare batterie non ricaricabili.
- ◆ In caso di danneggiamento del cavo di alimentazione, farlo riparare dal fabbricante o presso un Centro di assistenza Stanley autorizzato, in modo da evitare pericoli.
- ◆ Non lasciare che il caricabatterie si bagni.
- ◆ Non aprire il caricabatterie.
- ◆ Non collegare il caricabatterie a sonde.
- ◆ Il caricabatterie deve essere lasciato in una zona ben ventilata durante la carica.

### Etichette sul caricabatterie

Sul caricabatterie sono riportati i seguenti simboli:



Questo caricabatterie è destinato esclusivamente all'uso in ambienti chiusi.



Leggere il manuale di istruzioni prima dell'uso.

### Sicurezza elettrica



Il doppio isolamento di cui è provvisto il caricabatterie rende superfluo il filo di terra. Verificare sempre che la tensione di rete corrisponda al valore della tensione indicato sulla targhetta dei valori nominali. Non tentare mai di sostituire il caricabatterie con una spina elettrica tradizionale.

- ◆ Per prevenire pericoli, i cavi di alimentazione danneggiati devono essere sostituiti dal produttore o da un Centro di assistenza STANLEY FATMAX autorizzato.

### Caratteristiche

1. Interruttore di accensione/spengimento
2. Levetta di blocco accensione
3. Freno della catena / Protezione anteriore per le mani
4. Barra di guida
5. Catena
6. Copri rocchetto
7. Dado di bloccaggio della barra
8. Vite di tensionamento catena
9. Tappo del serbatoio olio

10. Indicatore del livello olio
11. Copribarra
12. Impugnatura posteriore
13. Impugnatura anteriore
14. Pacco batteria
15. Pulsante di sgancio pacco batteria
16. Chiave a brugola
17. Alloggiamento chiave a brugola

## Assemblaggio

**Avvertenza!** Prima dell'assemblaggio, rimuovere la batteria (14) dall'elettrotensile.

### Carica della batteria (Fig. A)

La batteria deve essere caricata prima dell'impiego iniziale dell'elettrotensile quando non eroga una potenza sufficiente per svolgere lavori che prima era possibile eseguire facilmente. Durante la carica la batteria potrebbe scaldarsi. Si tratta di un fatto normale che non indica la presenza di un problema.

**Avvertenza!** Non caricare la batteria a temperature ambientali inferiori a 10 °C o superiori a 40 °C. La temperatura di carica consigliata è di circa 24 °C.

**Nota:** il caricabatterie non carica una batteria se la temperatura delle celle è inferiore a 10 °C o superiore a 40 °C circa.

La batteria deve essere lasciata nel caricabatterie, che comincerà a caricarla automaticamente quando la temperatura delle celle aumenta o diminuisce.



- ◆ Per caricare la batteria (14), inserirla nel caricabatterie (18). La batteria entra nel caricabatterie solo in un senso. Non forzare. Accertarsi che la batteria sia completamente inserita nel caricabatterie.
- ◆ Collegare il caricabatterie alla presa di corrente e accenderlo.





L'indicatore di carica in corso (18a) lampeggia.

La ricarica è completa quando l'indicatore di carica in corso (18a) rimane acceso fisso. Il caricabatterie e la batteria possono essere lasciati collegati alla presa di corrente per un tempo indefinito. Il LED si accende quando il caricabatterie di tanto in tanto rabbocca la carica della batteria.

- ◆ Caricare le batterie scariche entro 1 settimana. La durata delle batterie si riduce parecchio se vengono conservate scariche.

### Modalità di accensione LED del caricabatterie

	<b>In carica:</b> LED verde lampeggiante a intermittenza	
--	---	---

	<b>Carica completa:</b> LED verde acceso fisso	
	<b>Ritardo per pacco batteria caldo/freddo:</b> LED verde lampeggiante a intermittenza LED rosso acceso fisso	

**Nota:** il/i caricabatterie compatibile/i non carica/caricano un pacco batteria difettoso. Il caricabatterie non si illuminerà, a indicare che un pacco batteria è difettoso.

**Nota:** ciò potrebbe anche indicare un problema al caricabatterie. Se il caricabatterie dovesse indicare la presenza di un problema, portare il caricabatterie e il pacco batteria presso un centro di assistenza autorizzato per farli controllare.

### Batteria lasciata nel caricabatterie

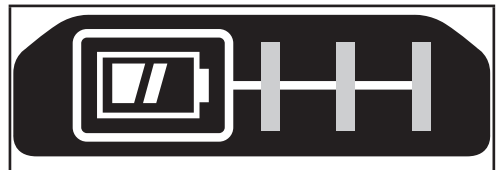
Il caricabatterie e il pacco batteria possono essere lasciati collegati per un tempo indefinito con il LED acceso. Il caricabatterie manterrà il pacco batteria come nuovo e completamente carico.

### Ritardo per pacco batteria caldo/freddo

Quando il caricabatterie rileva una batteria troppo calda o troppo fredda, avvia automaticamente un Ritardo per pacco batteria caldo/freddo, il LED verde (18a) lampeggia a intermittenza, mentre il LED rosso (8b) rimane acceso fisso, sospendendo la carica fino a che la batteria non raggiunge la temperatura appropriata. A quel punto il caricabatterie passa automaticamente alla modalità di carica. Questa funzione garantisce la massima durata della batteria.

### Indicatore dello stato di carica della batteria (Fig. B)

La batteria include un indicatore dello stato di carica che consente di stabilire rapidamente la sua autonomia di funzionamento, come illustrato nella Fig. B. Premendo il pulsante dello stato di carica (14a) è possibile visualizzare facilmente la carica residua della batteria, come illustrato nella Fig. B.



### Installazione e rimozione del pacco batteria (Fig. L)

**Avvertenza!** Verificare che l'elettrotensile sia spento prima di installare il pacco batteria.

**Nota:** per risultati ottimali, assicurarsi che il pacco batteria sia completamente carico prima dell'uso.

- ◆ Per installare il pacco batteria (14) nell'impugnatura dell'elettrosega allineare il pacco batteria alle guide sull'impugnatura e farlo scorrere fino a quando sarà saldamente inserito in sede, accertandosi che non si sganci.
- ◆ Per rimuovere il pacco batteria dall'elettrosega, premere il pulsante di sgancio pacco batteria (15) ed estrarre con decisione il pacco batteria dall'impugnatura dell'elettrotensile. Inserire il pacco batteria nel caricabatterie come descritto nella sezione relativa al caricabatterie di questo manuale.

### Installazione della barra di guida e della catena (Fig. D)

**Avvertenza!** Catena affilata. Indossare sempre guanti di protezione per l'installazione e la rimozione della catena. La catena è affilata e può causare ferite da taglio anche da ferma.

**Avvertenza!** Catena mobile e affilata. Per prevenire l'attivazione fortuita, fare in modo che la batteria sia rimossa dall'elettrotensile prima di eseguire le operazioni descritte di seguito. In caso contrario si potrebbero subire o causare gravi lesioni personali.

Laddove la catena (5) e la barra di guida (4) siano imballate separatamente nella scatola del prodotto, la catena dovrà essere montata sulla barra di guida ed entrambe dovranno essere fissate al corpo dell'elettrotensile.

- ◆ Appoggiare l'elettrosega su una superficie piana e stabile.
- ◆ Ruotare il dado di bloccaggio della barra di guida (7) in senso antiorario con la chiave a brugola (16) in dotazione.
- ◆ Rimuovere il copri rocchetto (6) e il dado di bloccaggio della barra di guida (7).
- ◆ Indossando dei guanti di protezione, afferrare la catena (5) e avvolgerla attorno alla barra di guida (4), assicurandosi che i denti di taglio siano rivolti nella direzione corretta (Fig. H).
- ◆ Accertarsi che la catena sia inserita correttamente nella sede attorno a tutta la barra di guida.
- ◆ Posizionare la catena attorno al rocchetto (19), allineando la scanalatura sulla barra di guida con il perno di tensionamento della catena (20) e il bullone (21) sulla base dell'elettrotensile, come illustrato nella Fig. E.
- ◆ Una volta in sede, mantenere la barra ferma e riposizionare il copri rocchetto (6). Installare prima la parte posteriore del rocchetto, ruotandola verso il basso e assicurandosi che il foro per il bullone sul carter sia allineato al bullone (21) presente sul corpo macchina principale.

- ◆ Installare il dado di bloccaggio della barra (7) e ruotarlo in senso orario con la chiave a brugola (16) in dotazione fino a serrarlo a fondo, quindi allentare il dado di un giro completo, dimodoché la catena possa essere tesa correttamente.
- ◆ Ruotare la vite di tensionamento della catena (8) in senso orario per aumentare la tensione, come illustrato nella Fig. D. Fare in modo che la catena (5) aderisca attorno alla barra di guida (4). Stringere il dado di bloccaggio della barra di guida (7) fino in fondo.
- ◆ Seguire le istruzioni riportate nella sezione Regolazione della tensione della catena.

### Regolazione della tensione della catena (Fig. D-H)

**Avvertenza!** Una tensione errata della catena può causare il distacco della stessa dalla barra di guida e causare lesioni personali gravi o la morte.

**Nota:** la tensione della catena deve essere regolata periodicamente.

- ◆ Verificare la tensione della catena (5) con l'elettrosega ferma, appoggiata su una superficie stabile. La tensione è corretta se la catena scatta all'indietro una volta allontanata (di 3 mm) dalla barra di guida (4) tirandola leggermente con il dito medio e il pollice, come illustrato nella Fig. F. Non devono esservi cedimenti sul lato inferiore tra la barra di guida e la catena, come illustrato nella Fig. G.
- ◆ Per regolare la tensione della catena allentare il dado di bloccaggio della barra (7).
- ◆ Ruotare la vite di tensionamento (8) nella parte anteriore del corpo macchina, servendosi dell'estremità piatta a forma di cacciavite della chiave a brugola (16).
- ◆ Controllare la tensione della catena e regolarla se necessario.
- ◆ Non tendere eccessivamente la catena per evitare un'usura eccessiva e ridurre così la durata della barra di guida e della catena stessa. Un tensionamento eccessivo riduce anche la quantità dei tagli ottenuti per ogni carica della batteria.
- ◆ Una volta regolata correttamente la tensione della catena serrare il dado di bloccaggio della barra di guida (7) fino in fondo. Stringere il dado di bloccaggio della barra di guida (7) a una coppia di 8 Nm.
- ◆ Quando una catena è nuova si allunga leggermente nelle prime ore di impiego. È importante controllare spesso la tensione della catena (dopo aver scollegato il pacco batteria rimuoverlo) nel corso delle prime due ore di utilizzo.



## Sostituzione della catena (Fig. D-H)

**Avvertenza!** Catena mobile e affilata. Per prevenire l'attivazione fortuita, fare in modo che la batteria sia rimossa dall'elettrotensile prima di eseguire le operazioni descritte di seguito. In caso contrario si potrebbero subire o causare gravi lesioni personali.

**Attenzione:** catena affilata. Indossare sempre guanti di protezione per l'installazione e la rimozione della catena. La catena è affilata e può causare ferite da taglio anche da ferma.

**Attenzione:** la velocità della catena di questo prodotto è 8.6 m/s. Utilizzare esclusivamente catene con una velocità nominale superiore a 8.6 m/s.

- ◆ Appoggiare l'elettrosega su una superficie piana e stabile.
- ◆ Rimuovere i copri rochetto (6) come descritto nella Sezione Installazione della barra di guida e della catena.
- ◆ Per rimuovere la catena (5), ruotare la vite di tensionamento catena (8) nella parte anteriore dell'alloggiamento usando l'estremità piatta a cacciavite della chiave. Ruotare la vite in senso antiorario per consentire alla barra di guida (4) di retrocedere e di ridurre la tensione sulla catena per poterla rimuovere.
- ◆ Indossando dei guanti di protezione, afferrare la catena usurata ed estrarla sollevandola dalla scanalatura della barra di guida.
- ◆ Rovesciare la barra di guida ogni volta che si sostituisce la catena per assicurare che si usuri in modo uniforme.
- ◆ Collocare la nuova catena nella scanalatura della barra di guida, verificando che i denti di taglio siano rivolti nella direzione corretta; a tal fine allineare la freccia sulla catena al disegno sul copri-rochetto (6), illustrato nella Fig. H.
- ◆ Attenersi alle istruzioni riportate nella sezione Installazione della barra di guida e della catena.

La catena e la barra di guida di ricambio sono disponibili presso il proprio centro assistenza DeWALT di zona.

Questa elettrosega richiede una catena di ricambio di 304 mm.

Barra di ricambio di 304 mm.

## Lubrificazione della catena e della barra di guida (Fig. I)

### Lubrificazione automatica

Questa elettrosega è provvista di un sistema di lubrificazione automatica che mantiene la catena e la barra di guida costantemente lubrificate.

L'indicatore del livello olio (10) mostra il livello dell'olio nell'elettrosega. Se il livello dell'olio è inferiore a un quarto della capacità del serbatoio, rimuovere la batteria dall'elettrosega e rabboccare il serbatoio dell'olio con il tipo di olio corretto.

Svuotare sempre il serbatoio dell'olio una volta concluse le operazioni di taglio.

Svuotare sempre il serbatoio dell'olio prima di riporre questa unità.

**Nota:** non mettere in funzione questa elettrosega con il serbatoio dell'olio vuoto.

**Nota:** per la barra di guida e la catena utilizzare sempre olio lubrificante di alta qualità, in modo da assicurare un'adeguata lubrificazione di entrambe. Quando si deve effettuare la potatura di piante si consiglia l'uso di olio lubrificante per catene e barre di guida a base vegetale, poiché gli oli a base minerale possono danneggiare le piante vive. Non utilizzare mai olio sporco, usato o contaminato. Così facendo si potrebbe danneggiare l'elettrotensile.

## Riempimento del serbatoio

- ◆ Svitare il tappo del serbatoio dell'olio (9) ruotandolo in senso antiorario e rimuoverlo. Riempire il serbatoio con l'olio per barre e catene raccomandato fino a quando il livello dell'olio non raggiunge il limite superiore dell'indicatore del livello olio (10).
- ◆ Riposizionare il tappo del serbatoio dell'olio e serrarlo ruotandolo in senso orario.
- ◆ Spegnerne periodicamente l'elettrosega e controllare l'indicatore del livello dell'olio per fare in modo che la barra di guida e la catena siano adeguatamente lubrificate.
- ◆ Spegnerne periodicamente l'elettrosega e controllare l'indicatore del livello dell'olio per fare in modo che la barra di guida e la catena siano adeguatamente lubrificate.

## Trasporto dell'elettrosega (Fig. J)

- ◆ Durante il trasporto, spegnere sempre l'elettrosega, rimuovere la batteria e coprire la barra di guida (4) con il copribarra (11).

## Uso

**Avvertenza!** Per ridurre il rischio di gravi lesioni personali, spegnere l'elettrosega e rimuovere il pacco batteria prima di eseguire qualsiasi regolazione o rimozione/installazione di dotazioni o accessori. Un avvio accidentale può provocare lesioni personali.

## Posizione corretta delle mani (Fig. K)

**Avvertenza!** Per ridurre il rischio di gravi lesioni personali, tenere le mani sempre nella posizione corretta, come illustrato.

**Avvertenza!** Allo scopo di ridurre il rischio di lesioni personali gravi, tenere sempre l'elettrotensile con presa sicura per prevenire reazioni improvvise.

La posizione corretta delle mani richiede la mano sinistra sull'impugnatura anteriore (13) e la mano destra sull'impugnatura posteriore (12).

## Uso dell'elettrosega (Fig. K)

**Avvertenza!** Leggere e comprendere tutte le istruzioni. La mancata osservanza delle istruzioni seguenti può dar luogo a scosse elettriche, incendi e/o lesioni personali gravi.

- ◆ Prestare attenzione ai contraccolpi che possono causare lesioni personali gravi o la morte. Vedere le sezioni Avvertenze generali di sicurezza per gli elettrotensili, Avvertenze di sicurezza generali per le elettroseghe, Cause e prevenzione dei contraccolpi per l'operatore dell'elettrosega Caratteristiche di sicurezza contro i contraccolpi, per evitare il rischio di contraccolpi.
- ◆ Non sporgersi troppo. Non tagliare sopra l'altezza del petto. Fare in modo che la propria posizione sia stabile. Tenere le gambe divaricate. Suddividere il proprio peso in modo uniforme su entrambi i piedi.
- ◆ Utilizzare una presa sicura con la mano sinistra sull'impugnatura anteriore (13) e la mano destra sull'impugnatura posteriore (12), in modo che il proprio corpo si trovi alla sinistra della barra di guida (4).
- ◆ Non sorreggere l'elettrosega dal freno della catena / dalla protezione anteriore per le mani (3). Mantenere il gomito del braccio sinistro bloccato, affinché il braccio sinistro sia teso per sostenere il contraccolpo.

**Avvertenza!** Non utilizzare mai una presa incrociata (mano sinistra sull'impugnatura posteriore e mano destra sull'impugnatura anteriore).

**Avvertenza!** Non permettere mai che alcuna parte del proprio corpo si trovi allineata con la barra di guida quando viene utilizzata l'elettrosega.

- ◆ Non utilizzare mai l'elettrosega salendo su un albero o in una posizione scomoda, su una scala a pioli oppure su un'altra superficie instabile. Si potrebbe perdere il controllo della macchina, con conseguenti lesioni personali gravi.
- ◆ Mantenere l'elettrosega in funzione alla massima velocità durante tutto il periodo di taglio.
- ◆ Lasciare che sia l'elettrosega a eseguire il taglio. Esercitare solamente una leggera pressione. Non premere l'elettrosega fino al termine del taglio.

**Avvertenza!** Inserire il freno della catena e rimuovere la batteria quando l'elettrosega non viene utilizzata.

## Regolazione del freno della catena (Fig. K, L)

L'elettrosega è dotata di un sistema di frenatura della catena che arresta rapidamente la catena in caso di contraccolpo.

- ◆ Accertarsi che il freno della catena/la protezione anteriore per le mani (3) sia posizionato/a in avanti.
- ◆ Inserire il pacco batteria (14) nell'elettrotensile.
- ◆ Tirare il freno della catena/la protezione anteriore per le mani (3) verso l'impugnatura anteriore (13) nella posizione innestata, come illustrato nella Fig. L.
- ◆ A questo punto l'elettrosega è pronta per l'uso.
- ◆ Accertarsi che il freno della catena/la protezione anteriore per le mani sia posizionato/a in avanti.

- ◆ Rimuovere la batteria.

**Nota:** in caso di contraccolpi, la mano sinistra viene a contatto della protezione anteriore e la spinge in avanti, verso il pezzo su cui si sta lavorando. In tal modo l'elettrosega si arresta.

## Prova del freno della catena (Fig. L)

Provare il freno della catena prima di qualsiasi utilizzo per assicurarsi che funzioni correttamente.

- ◆ Appoggiare l'elettrosega su una superficie piana e stabile. Fare in modo che la catena (5) sia sollevata dal terreno.
- ◆ Tenere l'elettrosega saldamente con entrambe le mani e metterla in funzione.
- ◆ Girare la mano sinistra in avanti, attorno all'impugnatura anteriore (13) in modo che il dorso della mano venga a contatto con il freno della catena/la protezione anteriore per le mani (3) e spingerlo in avanti verso l'oggetto da tagliare. L'elettrosega dovrebbe arrestarsi immediatamente.

**Nota:** nel caso in cui l'elettrosega non si arresti subito, smettere di usarla e portarla presso il centro assistenza più vicino.

**Avvertenza!** Fare in modo di regolare il freno della catena prima del taglio.

## Interruttore di accensione/spegnimento (Fig. M)

Mantenere sempre un buon equilibrio e afferrare l'elettrosega saldamente con entrambe le mani, con il pollice e le altre dita attorno alle impugnature.

- ◆ Per accendere l'elettrosega premere in giù la levetta di blocco accensione (2), illustrata nella Fig. M, e premere il grilletto di azionamento (1). Una volta che l'elettrosega è in funzione, è possibile rilasciare la levetta di blocco accensione.
- ◆ Per mantenere l'elettrosega in funzione, occorre tenere premuto il grilletto di azionamento. Per spegnere l'elettrosega rilasciare il grilletto.

## Affilatura della catena della (Fig. N - P)

**Attenzione:** catena affilata. Indossare sempre guanti di protezione per l'installazione e la rimozione della catena. La catena è affilata e può causare ferite da taglio anche da ferma.

**Avvertenza!** Catena mobile e affilata. Per prevenire l'attivazione fortuita, fare in modo che la batteria sia rimossa dall'elettrotensile prima di eseguire le operazioni descritte di seguito. In caso contrario si potrebbero subire o causare gravi lesioni personali.

**Nota:** i taglienti della catena perdono immediatamente il filo se toccano il terreno o un chiodo durante il taglio.

Per ottenere prestazioni ottimali dall'elettrosega è importante mantenerli affilati. Seguire queste utili suggerimenti per l'affilatura della catena:

- ◆ per ottenere i migliori risultati, utilizzare una lima da 4,5 mm e un supporto lima per affilare la catena. Ciò permetterà di mantenere sempre gli angoli di affilatura corretti;
- ◆ posizionare il supporto della lima in posizione orizzontale sulla piastra superiore e l'indicatore di profondità del tagliente;
- ◆ mantenere la linea dell'angolo di limatura corretto della piastra superiore (22) pari a 30° sulla guida della lima parallela alla catena (lima a 60° rispetto alla catena vista dal lato) come mostrato;
- ◆ affilare prima i taglienti su un lato della catena. Limare ciascun tagliente dall'interno verso l'esterno. Girare poi l'elettrosega e ripetere i passaggi descritti (2, 3, 4) per i taglienti sull'altro lato della catena.

**Nota:** utilizzare una lima piatta per limare la parte superiore dei denti piallanti (porzione del collegamento della catena davanti al tagliente), affinché essi si trovino a circa 0,635 mm sotto le punte dei taglienti, come illustrato sotto;

- ◆ Mantenere tutti i taglienti alla stessa lunghezza, come illustrato nella Fig. O.
- ◆ Se la superficie cromata delle piastre superiori è danneggiata, levigare fino a far rimuovere il danneggiamento.

**Attenzione:** dopo la limatura il tagliente è affilato, prestare particolare attenzione durante questa procedura.

**Nota:** ad ogni affilatura della catena, le sue qualità di protezione dai contraccolpi si riducono un po' e deve essere prestata particolare attenzione durante l'uso. Si consiglia di affilare una catena non più di quattro volte.

### Alloggiamento della chiave a brugola (Fig. Q)

Quando la chiave a brugola (16) non viene utilizzata riporla nel rispettivo alloggiamento (17) sotto l'elettrosega. Tirare in fuori la chiave a brugola dal rispettivo alloggiamento per rimuoverla.

Spingere dentro la chiave a brugola dal rispettivo alloggiamento per riporla.

### Sistema Track Wall Stanley (Fig. R, S)

**Avvertenza!** Per ridurre il rischio di gravi lesioni personali, spegnere l'elettrotensile e rimuovere il pacco batteria prima di eseguire qualsiasi regolazione o rimozione/installazione di dotazioni o accessori. Un avvio accidentale può provocare lesioni personali.

**Avvertenza!** Per ridurre il rischio di gravi lesioni personali, non utilizzare un gancio di sospensione integrato nel sistema Track Wall Stanley o il sistema Track Wall Stanley se danneggiati. Un gancio di sospensione integrato nel sistema Track Wall Stanley o un sistema Track Wall Stanley danneggiati non sosterebbero il peso dell'elettrotensile.

**Avvertenza!** Per ridurre il rischio di gravi lesioni personali, NON sospendere l'elettrotensile in alto e non appendere oggetti al gancio integrato. Agganciare l'utensile al sistema Track Wall Stanley solo tramite il gancio integrato.

**Avvertenza!** Il gancio integrato nel sistema Track Wall Stanley serve a posizionare l'elettrotensile su un binario del sistema Track Wall Stanley.

Non utilizzare il gancio integrato per appendere l'elettrotensile ad altre superfici.

**Avvertenza!** Il gancio di sospensione integrato del sistema Track Wall Stanley non è un gancio per appendere l'elettrotensile alla cintura dei pantaloni.

**Avvertenza!** Quando si appendono oggetti a un binario del sistema Track Wall Stanley, occorre distanziarli opportunamente in modo da non superare 35 kg di peso per metro lineare.

**Avvertenza!** Prima di utilizzare l'utensile, assicurarsi che il gancio di sospensione integrato del sistema Track Wall Stanley sia riportato nella posizione originale.

**Importante:** gli accessori del sistema Track Wall Stanley consentono di agganciare saldamente gli utensili compatibili al sistema.

Spegnere l'elettrotensile e rimuovere il pacco batterie gli accessori.

Infilare il copribarra (11) sulla barra di guida (4).

**Attenzione:** qualsiasi prodotto con denti di taglio esposti deve essere coperto in modo sicuro prima di appeso ai binari del sistema Track Wall Stanley.

Fissare il gancio integrato (23) a un binario del sistema Track Wall Stanley, come illustrato nelle Figure R e S. Il gancio scatta quando si blocca in posizione.

**Nota:** gli accessori del sistema Track Wall Stanley da utilizzare con questo elettrotensile sono disponibili a un costo aggiuntivo presso il proprio rivenditore o centro di assistenza autorizzato di zona.

### Tecniche di taglio comuni

#### Abbattimento (Fig. T, U)

Il processo che consiste nel tagliare il tronco di un albero e farlo cadere. Non abbattere alberi in condizioni di forte vento.

**Avvertenza!** L'abbattimento può causare lesioni. Esso dovrebbe essere eseguito solamente da una persona addestrata in tal senso.

Prima di eseguire i tagli dovrebbe essere predisposto un percorso di fuga libero per l'operatore. Il percorso di fuga dovrebbe estendersi all'indietro e diagonalmente verso la parte posteriore della linea di caduta prevista, come illustrato sotto.

- ◆ Prima di iniziare l'abbattimento, considerare la pendenza naturale dell'albero, la posizione dei rami più grandi e la direzione del vento per valutare la direzione di caduta della pianta.

Tenere a portata di mano dei cunei (di legno, plastica o alluminio) e una mazza pesante. Rimuovere sporco, massi, cortecce cadenti, chiodi, graffe e fili di ferro dall'albero nei punti in cui dovranno essere effettuati i tagli.

- ◆ Rientranza d'intaglio - Eseguire una rientranza di 1/3 del diametro dell'albero, in perpendicolare rispetto alla direzione di caduta. Eseguire prima un intaglio inferiore orizzontale. Questo aiuterà ad evitare lo schiacciamento della catena o della barra di guida quando viene effettuato il secondo intaglio, come mostrato qui sotto.
- ◆ Taglio di rovescio d'abbattimento - Il taglio finale in un'operazione d'abbattimento di un albero eseguito sul lato opposto dell'albero almeno 51 mm più in alto rispetto alla rientranza dell'intaglio. Mantenere il taglio di rovescio d'abbattimento in parallelo rispetto all'intaglio orizzontale. Eseguire il taglio di rovescio d'abbattimento in modo che vi sia una striscia di legno che funga da cerniera, impedendo all'albero di ruotare e cadere nella direzione errata. Non tagliare attraverso la cerniera come mostrato qui sotto.
- ◆ Man mano che il taglio d'abbattimento si avvicina alla cerniera, l'albero dovrebbe cominciare a cadere. Se c'è una possibilità che l'albero non cada nella direzione desiderata o che ruoti all'indietro serrando la catena della sega, smettere di tagliare prima di completare il taglio d'abbattimento e usare dei cunei per aprire il taglio e far cadere l'albero lungo la linea desiderata di caduta. Quando l'albero inizia a cadere, rimuovere l'elettrosega dal taglio, arrestare il motore, appoggiare a terra l'elettrosega e utilizzare il percorso di fuga pianificato. Prestare attenzione ai rami in caduta dall'alto e ai propri piedi.

### Sramatura (Fig. V)

Rimozione dei rami di un albero abbattuto. Quando si esegue la sramatura non tagliare i rami inferiori più grossi e sostenere il tronco in modo che sia sollevato da terra. Rimuovere i rami più piccoli con un solo taglio. I rami sotto tensione dovrebbero essere tagliati dal basso verso l'alto per evitare che l'elettrosega si inceppi, come illustrato nella Fig. V. Tagliare i rami dal lato opposto mantenendo il tronco dell'albero tra sé e l'elettrosega. Non tagliare mai tenendo l'elettrosega tra le gambe o mettendosi a cavalcioni sul ramo da tagliare.

### Segatura (Fig. W, X, Y, Z)

**Avvertenza!** Si raccomanda a coloro che utilizzano

l'elettrosega per la prima volta di fare pratica su un cavalletto per segare la legna.

Tagliare a pezzi un albero abbattuto o un ceppo. La procedura di taglio dipende dal sostegno che regge il ceppo. Quando possibile, fare uso di un cavalletto, come mostrato nella Fig. W.

- ◆ Avviare sempre un taglio con la catena alla massima velocità.
- ◆ Posizionare il dente inferiore della catena dietro l'area del taglio iniziale, come mostrato nella Fig. W.
- ◆ Mettere in funzione l'elettrosega, quindi fare girare la catena e la barra in basso nell'albero, utilizzando il dente come cardine.
- ◆ Una volta che l'elettrosega è inclinata di 45°, riportarla a livello nuovamente e ripetere questi passaggi fino a quando il taglio non sarà stato eseguito.
- ◆ Se il tronco è sostenuto per l'intera lunghezza, eseguire il taglio dall'alto verso il basso, evitando però di tagliare il terreno, poiché l'elettrosega perderebbe rapidamente l'affilatura.
- ◆ Quando il tronco è sorretto da un lato (Fig. Y), tagliare prima 1/3 del diametro dal basso verso l'alto, quindi eseguire il taglio finale dall'alto verso il basso fino a incontrare il primo taglio, come illustrato nella Fig. Y.
- ◆ Quando il tronco è sorretto da entrambi i lati (Fig. Z), tagliare prima 1/3 del diametro dall'alto. Quindi eseguire il taglio finale dal basso verso l'alto tagliando i 2/3 inferiori fino a incontrare il primo taglio, come illustrato nella Fig. Z.

### Guida alla risoluzione dei problemi

Problema	Possibile causa	Possibile soluzione
<b>L'elettrotensile non si accende</b>	Levetta di blocco accensione non premuto	Premere la levetta di blocco accensione
	Batteria non installata	Installare la batteria
	Batteria scarica	Caricare la batteria
	Batteria non installata correttamente	Rimuovere la batteria e reinserirla
<b>La catena non si arresta entro 2 secondi dallo spegnimento dell'elettrosega</b>	La catena è troppo allentata	Controllare la tensione della catena
<b>Barra di guida/Catena calda/fumante</b>	Svuotare il serbatoio dell'olio	Controllare il livello del serbatoio dell'olio
	Foro di lubrificazione intasato sulla barra di guida della catena	Pulire i fori di uscita dell'olio e la scanalatura attorno al bordo della barra di guida della catena.
	La catena è troppo tesa	Controllare la tensione della catena
	La punta del rocchetto della barra di guida deve essere ingrassata	Lubrificare la punta del rocchetto della barra di guida

Problema	Possibile causa	Possibile soluzione
L'elettrosega non taglia bene	La catena è stata montata al contrario	Controllare/modificare la direzione della catena
		Affilare
L'elettrosega non usa olio	Sono presenti impurità nel serbatoio	Svuotare l'olio dal serbatoio e sostituirlo
	Foro di lubrificazione nel tappo intasato	Eliminare le impurità dal foro
	Impurità sulla barra di guida della catena	Eliminare le impurità e pulire la barra della catena
	Impurità nello scarico dell'olio	Eliminare le impurità
L'elettrosega si arresta improvvisamente durante l'uso	Batteria scarica	Controllare il livello di carica della batteria premendo il pulsante di stato della batteria. Caricare la batteria se necessario.
	Batteria troppo calda	Attendere che la batteria si raffreddi per almeno 30 minuti prima di continuare il lavoro o ricaricarla.
	Protezione contro le sovratensioni	Riavviare l'elettrosega. Lasciare che l'elettrosega funzioni al proprio ritmo. Non sovraccaricarla

## Affilatura della catena

Per ottenere prestazioni ottimali, è importante mantenere affilati i denti della catena dell'elettrosega.

Le istruzioni su come eseguire questa procedura sono riportate sulla confezione del dispositivo di affilatura.

## Sostituzione delle catene consumate

Le catene di ricambio dell'elettrosega sono disponibili presso i rivenditori o i centri di assistenza STANLEY FATMAX.

Utilizzare esclusivamente pezzi di ricambio originali.

## Filo della catena

I taglienti della catena perdono immediatamente il filo se toccano il terreno o un chiodo durante il taglio.

## Tensione della catena

Controllare regolarmente la tensione della catena dell'elettrosega.

## Riparazione dell'elettrosega

Questa elettrosega è stata fabbricata in conformità alle norme di sicurezza in vigore. Le riparazioni devono essere affidate esclusivamente a personale qualificato ed eseguite solo con pezzi di ricambio originali, per evitare di esporre gli operatori a considerevoli rischi. Consigliamo di conservare questo manuale d'uso in un luogo sicuro.

## Protezione dell'ambiente



Raccolta differenziata. I prodotti e le batterie contrassegnati con questo simbolo non devono essere smaltiti con i rifiuti domestici normali.

Prodotti e batterie contengono materiali che possono essere recuperati o riciclati, riducendo la domanda di materie prime. Riciclare i prodotti e le batterie in base alle norme locali pertinenti in vigore. Ulteriori informazioni sono disponibili all'indirizzo [www.2helpU.com](http://www.2helpU.com)

## Dati tecnici

		SFMCSS730
Tensione	$V_{bc}$	18
Lunghezza barra di guida	mm	300
Velocità catena (a vuoto)	m/s	6,7
Lunghezza massima di taglio (cm)	mm	250
Capacità serbatoio olio	ml	150
Peso	kg	2,51 (senza la catena, la barra di guida, il copribarra, l'olio e la batteria)

## Manutenzione

La manutenzione regolare garantisce la durata dell'elettrotensile e le sue prestazioni. Si consiglia di eseguire regolarmente i controlli seguenti.

**Avvertenza!** Prima di eseguire interventi di manutenzione sull'elettrotensile:

- ◆ spegnere e scollegare l'elettrotensile dalla rete di alimentazione elettrica.

## Livello dell'olio

Il livello dell'olio nel serbatoio non deve scendere di oltre un quarto del livello massimo.

## Catena e barra di guida

- ◆ Dopo alcune ore d'utilizzo e prima di riporre l'elettrosega, smontare la barra di guida e la catena e pulirle a fondo.
- ◆ Accertarsi che il carter di protezione sia pulito e libero da detriti.
- ◆ Lubrificare la punta del rocchetto e la barra della catena tramite gli appositi fori di lubrificazione. In questo modo il processo di usura avverrà in maniera uniforme lungo i binari della barra di guida.

Caricabatterie		SFMCB11	SFMCB12	SFMCB14
Tensione d'ingresso	$V_{ca}$	230	230	230
Tensione d'uscita	$V_{cc}$	18	18	18
Corrente	A	1,25	2	4

Batteria		SFMCB201	SFMCB202	SFMCB204	SFMCB206
Tensione	$V_{dc}$	18	18	18	18
Capacità	Ah	1,5	2,0	4,0	6,0
Tipo		Li-Ion	Li-Ion	Li-Ion	Li-Ion

Livello di pressione sonora misurato in conformità alla norma EN 62841:

$L_{pA}$  (pressione sonora) 87 dB(A), incertezza (K) 3 dB(A)

$L_{WA}$  (pressione acustica) 99 dB(A), incertezza (K) 1,6 dB(A)

Valori totali di emissione di vibrazione (somma vettoriale triassiale) in conformità alla norma EN 62841:

Valore di emissione di vibrazione ( $a_{rv}$ ) 6,5  $m/s^2$ , incertezza (K) 1,5  $m/s^2$

## Garanzia

STANLEY FATMAX, certa della qualità dei propri prodotti, offre ai consumatori una garanzia di 12 mesi dalla data di acquisto. Il presente certificato di garanzia è complementare ai diritti legali e non li pregiudica in alcun modo. La garanzia è valida nei territori degli Stati membri dell'Unione Europea, dell'EFTA (Associazione europea di libero scambio) e del Regno Unito. Per attivare la garanzia, il reclamo deve essere effettuato in accordo con i Termini e Condizioni di STANLEY FATMAX e sarà necessario presentare la prova di acquisto al venditore o al tecnico riparatore autorizzato. I Termini e condizioni della garanzia STANLEY FATMAX di 1 anno e la sede del tecnico riparatore autorizzato più vicino sono consultabili su Internet all'indirizzo [www.2helpU.com](http://www.2helpU.com), o contattando l'ufficio STANLEY FATMAX di zona all'indirizzo indicato in questo manuale. Visitare il nostro sito [www.stanley.eu/3](http://www.stanley.eu/3) per registrare il nuovo prodotto STANLEY FATMAX e ricevere gli aggiornamenti sui nuovi prodotti e le offerte speciali.

## Dichiarazione CE di conformità

DIRETTIVA MACCHINE



SFMCCS730 – Elettrosega compatta

STANLEY FATMAX dichiara che i prodotti descritti nella sezione "Dati tecnici" sono conformi alle seguenti norme:

2006/42/CE,

EN 62841-1:2015+A11:2022, EN 62841-4-1:2020,

2000/14/EC, Appendice V

LWA (livello di pressione sonora misurata) 99 dB(A),  
incertezza (K) = 1,6 dB (A),

LWA (pressione sonora garantita) 101 dB(A)

Inoltre, questi prodotti sono anche conformi alle Direttive  
2014/30/UE e 2011/65/UE.

Per ulteriori informazioni, contattare STANLEY FATMAX  
all'indirizzo seguente oppure consultare l'ultima di copertina  
del manuale.

Il firmatario è responsabile della compilazione del documento  
tecnico e rende questa dichiarazione per conto di STANLEY  
FATMAX

*Patrick Diepenbach*

Patrick Diepenbach  
General Manager, Benelux  
Stanley FatMax,  
Egide Walschaertsstraat 14-18  
2800 Mechelen, Belgio  
28/06/2023

## Bedoeld gebruik

Uw STANLEY FATMAX SFMCCS730 Compacte Kettingzaag is ontworpen voor lichte zaag- en snoeiwerkzaamheden. Dit apparaat is bedoeld voor professionele en particuliere, niet-professionele gebruikers.

## Veiligheidsinstructies

### Algemene veiligheidswaarschuwingen voor elektrisch gereedschap



**Waarschuwing!** Lees alle veiligheidswaarschuwingen, instructies, illustraties en specificaties die bij dit gereedschap zijn meegeleverd. Het niet opvolgen van alle onderstaande instructies kan leiden tot een elektrische schok, brand en/of ernstig letsel.

**Bewaar alle waarschuwingen en instructies als referentiemateriaal.** De gebruikte term 'elektrisch gereedschap' in alle waarschuwingen die hieronder worden vermeld, heeft betrekking op elektrisch gereedschap voor gebruik op netspanning (met netsnoer) of met een accu (snoerloos).

#### 1. Veilige werkomgeving

- a. **Houd de werkomgeving schoon en goed verlicht.** Op rommelige of donkere plekken zullen sneller ongelukken gebeuren.
- b. **Gebruik elektrisch gereedschap niet in explosieve omgevingen, zoals in de nabijheid van brandbare vloeistoffen, gassen of stof.** Elektrisch gereedschap kan vonken maken, die het stof of de dampen kunnen doen ontbranden.
- c. **Houd kinderen en omstanders op afstand tijdens het gebruik van elektrisch gereedschap.** Als u wordt afgeleid, kunt u de controle over het gereedschap verliezen.

#### 2. Elektrische veiligheid

- a. **Stekkers van elektrisch gereedschap moeten in het stopcontact passen. Pas de stekker nooit op om het even welke manier aan. Gebruik geen verloopstekkers bij geaard elektrisch gereedschap.** Originele stekkers en passende stopcontacten verminderen het risico op een elektrische schok.
- b. **Vermijd aanraking van het lichaam met geaarde oppervlakken, bijvoorbeeld buizen, verwarmingen, fornuizen en koelkasten.** Er bestaat een verhoogd risico op een elektrische schok als uw lichaam contact maakt met de aarding.
- c. **Stel elektrisch gereedschap niet bloot aan regen of natte omstandigheden.**

Als er water in elektrisch gereedschap dringt, verhoogt dit het risico op een elektrische schok.

- d. **Misbruik het snoer niet. Gebruik het snoer nooit om het elektrisch gereedschap te dragen of naar u toe te trekken of om de stekker uit het stopcontact te trekken. Houd het snoer uit de buurt van warmte, olie, scherpe randen of bewegende onderdelen.** Beschadigde of verstrikte snoeren verhogen het risico op een elektrische schok.
  - e. **Gebruik, wanneer u buitenshuis met elektrisch gereedschap werkt, alleen verlengsnoeren die zijn goedgekeurd voor gebruik buitenshuis.** Het gebruik van een verlengsnoer dat geschikt is voor gebruik buitenshuis, vermindert het risico op een elektrische schok.
  - f. **Als u met elektrisch gereedschap werkt op een vochtige locatie, gebruik dan een door een verliesstroomschakelaar (RCD) beveiligde voeding.** Met een RCD wordt het risico op een elektrische schok verminderd.
- ### 3. Persoonlijke veiligheid
- a. **Blijf alert, let goed op wat u doet en gebruik uw gezond verstand tijdens het gebruiken van elektrisch gereedschap. Gebruik elektrisch gereedschap niet als u vermoeid of onder invloed van drugs, alcohol of medicatie bent.** Een moment van onoplettendheid tijdens het werken met elektrisch gereedschap kan leiden tot ernstig persoonlijk letsel.
  - b. **Draag persoonlijke beschermingsmiddelen. Draag altijd oogbescherming.** Beschermende uitrusting, zoals een stofmasker, antislip veiligheidsschoenen, een helm of gehoorbescherming, gebruikt in de juiste omstandigheden, zal het risico op persoonlijk letsel verminderen.
  - c. **Voorkom per ongeluk inschakelen. Verzekert dat de schakelaar in de uit-stand staat voordat u de stekker in het stopcontact steekt en/of de accu plaatst, het gereedschap optilt of draagt.** Het dragen van elektrisch gereedschap met uw vinger op de schakelaar of het onder spanning zetten van elektrisch gereedschap waarvan de schakelaar aan staat, kan leiden tot ongelukken.
  - d. **Verwijder stelsleutels of steeksleutels voordat u het elektrisch gereedschap inschakelt.** Een steeksleutel of een stelsleutel die in een draaiend deel van het elektrisch gereedschap blijft zitten, kan persoonlijk letsel veroorzaken.
  - e. **Reik niet buiten uw macht. Blijf te allen tijde stevig en in evenwicht staan.** Dit geeft u meer controle over het elektrisch gereedschap in onverwachte situaties.
  - f. **Draag geschikte kleding. Draag geen losse kleding of sieraden. Houd uw haar, kleding en handschoenen uit de buurt van draaiende onderdelen.**

Losse kleding, sieraden en lang haar kunnen in bewegende onderdelen verstrikt raken.

- g. **Als er uitrusting is geleverd voor het aansluiten van een stofafzuiging of een stofreservoir, controleer dan dat deze zijn aangesloten en op de juiste manier worden gebruikt.** Het gebruik van stofafzuiging kan de aan stof verbonden gevaren beperken.
  - h. **Denk niet dat u het allemaal wel weet doordat u het gereedschap vaak hebt gebruikt en de veiligheidsbeginselen wel kunt negeren.** Een onvoorzichtige handeling kan in een fractie van een seconde ernstig letsel veroorzaken.
4. **Gebruik en onderhoud van elektrisch gereedschap**
    - a. **Forceer het elektrisch gereedschap niet. Gebruik het juiste elektrische gereedschap voor uw toepassing.** Met het juiste elektrisch gereedschap kunt u de werkzaamheden waarvoor het gereedschap is ontworpen, beter en veiliger uitvoeren.
    - b. **Gebruik het elektrisch gereedschap niet als het niet met de schakelaar in- en uitgeschakeld kan worden.** Ieder elektrisch gereedschap dat niet met de schakelaar kan worden bediend, is gevaarlijk en moet worden gerepareerd.
    - c. **Trek de stekker uit het stopcontact en/of haal de accu uit het elektrisch gereedschap voordat u het gereedschap instelt, accessoires wisselt of het elektrisch gereedschap opbergt.** Dergelijke preventieve veiligheidsmaatregelen verminderen het risico op het per ongeluk starten van het elektrisch gereedschap.
    - d. **Berg elektrisch gereedschap dat niet wordt gebruikt op buiten bereik van kinderen en sta niet toe dat personen die niet vertrouwd zijn met het gereedschap of deze instructies met het gereedschap werken.** Elektrisch gereedschap is gevaarlijk in handen van niet opgeleide gebruikers.
    - e. **Onderhoud het gereedschap goed. Controleer op verkeerde uitlijning of het aanlopen van bewegende onderdelen, breuk van onderdelen en iedere andere toestand die van invloed kan zijn op de werking ervan. Laat het gereedschap voor gebruik repareren als het beschadigd is.** Veel ongelukken worden veroorzaakt door slecht onderhouden elektrisch gereedschap.
    - f. **Houd snijgereedschap scherp en schoon.** Goed onderhouden snijgereedschap met scherpe snijvlakken loopt minder snel vast en is gemakkelijker onder controle te houden.
    - g. **Gebruik het elektrisch gereedschap, de accessoires en boren, enz. overeenkomstig deze instructies, waarbij u rekening houdt met de werkomstandigheden en het werk dat moet worden uitgevoerd.** Het elektrisch gereedschap gebruiken voor andere werkzaamheden dan bedoeld, kan leiden tot een gevaarlijke situatie.

- h. **Houd de handgrepen droog, schoon en vrij van olie en vet. Gladde handgrepen en greepoppervlakken maken het moeilijk om het gereedschap veilig te hanteren en onder controle te houden in onverwachte situaties.**

#### 5. **Gebruik en verzorging van accu-gereedschap**

- a. **Laad het gereedschap alleen op met de lader die door de fabrikant wordt opgegeven.** Een lader die geschikt is voor het ene type accu, kan een risico van brand doen ontstaan bij gebruik met een andere accu.
  - b. **Gebruik elektrisch gereedschap alleen in combinatie met specifiek vermelde accu's.** Het gebruik van andere accu's kan gevaar voor letsel en brand opleveren.
  - c. **Houd de accu, wanneer u deze niet gebruikt, weg bij andere metalen objecten zoals paperclips, munten, sleutels, spijkers, schroeven of andere kleine metalen voorwerpen die een verbinding tot stand kunnen brengen tussen de ene pool en de andere.** Als kortsluiting tussen de polen van de accu wordt gemaakt, kan dit brandwonden of een brand veroorzaken.
  - d. **Wanneer de accu verkeerd wordt behandeld, kan er vloeistof uit de accu komen, vermijd contact met deze vloeistof. Spoel met water als u per ongeluk met deze vloeistof in contact komt. Zoek ook medische hulp als de vloeistof in uw ogen komt.** Vloeistof uit de accu kan irritatie en brandwonden veroorzaken.
  - e. **Gebruik geen accu of gereedschap dat beschadigd of aangepast is.** Beschadigde of aangepaste accu's kunnen zich onvoorspelbaar gedragen, met een risico op brand, een ontploffing of letsel als gevolg.
  - f. **Stel een accu of gereedschap niet bloot aan open vuur of uitzonderlijk hoge temperatuur.** Blootstelling aan vuur of een temperatuur boven 130 °C kan een explosie tot gevolg hebben. **OPMERKING:** Voor de temperatuur van „130 °C“ kunt u lezen de temperatuur van „265 °F“.
  - g. **Volg alle instructies voor het opladen en laad de accu of het gereedschap niet op buiten het temperatuurbereik dat in de instructies wordt opgegeven.** Door op onjuiste wijze opladen of opladen bij een temperatuur buiten het opgegeven bereik kan de accu beschadigd raken en het risico van brand toenemen.
6. **Service**
    - a. **Laat het gereedschap alleen repareren door gekwalificeerd en vakkundig personeel en alleen met originele vervangonderdelen.** Dit zal verzekeren dat de veiligheid van het gereedschap gewaarborgd blijft.
    - b. **Probeer nooit om beschadigde accu's te repareren.** De reparatie van accu's mag alleen worden uitgevoerd door de fabrikant of door een geautoriseerde servicecentra (alleen voor gereedschap met accu).



## Algemene veiligheidswaarschuwingen voor kettingzagen



**Waarschuwing!** Aanvullende veiligheidswaarschuwingen voor kettingzagen

- ◆ **Houd alle lichaamsdelen uit de buurt van de zaagketting terwijl de kettingzaag in bedrijf is. Controleer voordat u de kettingzaag start of de zaagketting vrij kan draaien.** Een moment van onoplettendheid bij het gebruik van kettingzagen kan ertoe leiden dat kledingstukken of lichaamsdelen in de kettingzaag verstrikt raken.
- ◆ **Houd altijd uw rechterhand op de achterste handgreep van de kettingzaag en uw linkerhand op de voorste handgreep.** Houd de kettingzaag nooit met de armen gekruist vast, dit zal het gevaar voor lichamelijk letsel verhogen.
- ◆ **Houd de kettingzaag alleen vast bij de geïsoleerde greepoppervlakken, omdat de kettingzaag met verborgen bedrading in aanraking kan komen.** Wanneer een draad 'onder spanning' met een kettingzaag wordt geraakt, kunnen niet afgeschermd metalen onderdelen van het gereedschap 'onder spanning' komen te staan de gebruiker een elektrische schok krijgen.
- ◆ **Draag oogbescherming. Ook wordt het dragen van beschermende uitrusting voor hoofd, handen, benen en voeten aanbevolen.** Afdoende beschermende uitrusting zal persoonlijk letsel vanwege rondvliegend afval of onbedoeld contact met de zaagketting verminderen.
- ◆ **Gebruik het gereedschap niet in een boom, op een ladder, vanaf het dak of enige andere instabiele ondersteuning.** Het op deze manier gebruiken van een kettingzaag kan tot ernstig persoonlijk letsel leiden.
- ◆ **Zorg er altijd voor dat u stevig staat en gebruik de kettingzaag alleen wanneer u op een stabiel, veilig en horizontaal vlak staat.** Gladde of instabiele vlakken, zoals ladders, kunnen ervoor zorgen dat het evenwicht of de controle over de kettingzaag wordt verloren.
- ◆ **Wees erop bedacht dat takken die worden belast, kunnen terugveren wanneer u deze doorzaagt.** Zodra de spanning in de houtvezels vrijkomt, kan de gebruiker door de tak worden geraakt en/of de kettingzaag ongecontroleerd wegslingeren.
- ◆ **Ga zeer voorzichtig te werk bij het zagen van struikgewas of jong hout.** Het dunne materiaal kan in de zaagketting vast komen te zitten en naar u toe zwiepen of u uw evenwicht doen verliezen.
- ◆ **Draag de kettingzaag aan de voorste handgreep, in uitgeschakelde toestand en van uw lichaam af gericht. Plaats altijd de kap over het zwaard als u de kettingzaag vervoert of bewaart.**

Een juist gebruik van de kettingzaag verkleint de kans dat u de bewegende zaagketting per ongeluk raakt.

- ◆ **Volg de instructies voor het smeren en spannen van de ketting en het vervangen van accessoires.** Een onjuist gespannen of gesmeerde ketting kan breken en vergroot de kans op terugslag
- ◆ **Zaag uitsluitend hout. Gebruik de kettingzaag niet voor doeleinden waarvoor deze niet bestemd is. Bijvoorbeeld: gebruik de kettingzaag niet voor het zagen van kunststof, metselwerk of bouwmaterialen die niet van hout zijn.** Gebruik voor andere doeleinden dan waarvoor de kettingzaag bestemd is, kan leiden tot gevaarlijke situaties.
- ◆ **Probeer geen boom te vellen voordat u volledig begrijpt welke risico's hieraan zijn verbonden en hoe u deze risico's kunt vermijden.** Het vellen van een boom kan voor de gebruiker of omstanders tot ernstig letsel leiden.
- ◆ **Indien er sprake is van geblokkeerd materiaal, opslag of onderhoud/repairatie van de kettingzaag, dienen alle instructies opgevolgd te worden. Verzekerd dat de schakelaar op uit staat en de accu verwijderd is.** Het onverwacht in werking stellen van de kettingzaag, terwijl blokkerend materiaal wordt verwijderd of onderhoud/repairatie wordt uitgevoerd, kan ernstig letsel tot gevolg hebben.

## Aanvullende veiligheidswaarschuwingen voor elektrisch gereedschap



**Waarschuwing!** Aanvullende veiligheidswaarschuwingen voor compacte kettingzagen.

Het bedoelde gebruik wordt beschreven in deze gebruikshandleiding. Gebruik het gereedschap niet voor andere doeleinden dan waarvoor het is bestemd; gebruik het bijvoorbeeld niet om bomen te vellen. Het gebruik van andere accessoires of hulpstukken of het uitvoeren van andere handelingen dan deze die in deze gebruikershandleiding worden aanbevolen, kan een risico op persoonlijk letsel vormen.

- ◆ **Draag nauwsluitende en beschermende kleding en een veiligheidshelm met beschermglas of een veiligheidsbril, antislip veiligheidsschoenen, een beschermde broek en stevige lederen handschoenen.**
- ◆ **Zorg dat u buiten de baan blijft van vallende takken.**
- ◆ **De veilige afstand tussen een tak die wordt afgesnoeid en omstanders, gebouwen en andere objecten is ten minste 2 1/2 keer de lengte van de tak.** Een omstander, gebouw of object binnen deze afstand loopt het risico door de vallende tak te worden geraakt.
- ◆ **Plan van tevoren een veilige uitweg, uit de buurt van vallende takken.** Zorg dat de vluchtweg vrij is van obstakels die u zouden kunnen hinderen.

Bedenk dat nat gras en vers gezaagde boomschors glad zijn.

- ◆ **Zorg dat er iemand in de buurt (maar op veilige afstand) is voor het geval er zich een ongeluk voordoet.**
- ◆ **Gebruik het gereedschap niet als u in een boom, op een ladder of op een ander onstabiel oppervlak staat.**
- ◆ **Blijf te allen tijde stevig en in evenwicht staan.**
- ◆ **Houd het gereedschap stevig met beide handen vast als de motor draait.**
- ◆ **Zorg dat het uiteinde van het zwaard nergens mee in aanraking komt als de zaagketting draait.**
- ◆ **Zaag uitsluitend met de ketting draaiend op volle snelheid.**
- ◆ **Steek de zaag niet in een vorige zaagsnede. Maak altijd een nieuwe zaagsnede.**
- ◆ **Wees bedacht op bewegende takken of andere krachten die de zaagsnede kunnen dichtknijpen of met de ketting in aanraking kunnen komen.**
- ◆ **Zaag geen takken af waarvan de diameter groter is dan de zaaglengte van de kettingzaag.**
- ◆ **Haal de accu altijd uit het gereedschap en plaats de kettingbescherming over de ketting wanneer het gereedschap wordt opgeborgen of vervoerd.**
- ◆ **Zorg dat de ketting geslepen en op de juiste spanning blijft. Controleer de spanning regelmatig.**
- ◆ **Schakel het apparaat uit, laat de ketting tot stilstand komen en verwijder de accu uit het apparaat voordat u het apparaat gaat instellen, reinigen of onderhouden.**
- ◆ **Gebruik uitsluitend de juiste, voor het apparaat bestemde reserveonderdelen en accessoires.**
- ◆ **Houd de handvatten droog, schoon en vrij van olie en vet. Vettige handvatten zijn glad, waardoor u de controle over het gereedschap kunt verliezen.**
- ◆ **De gekartelde stootrand kan scherp worden naarmate u het apparaat langer gebruikt. Ga voorzichtig te werk.**
- ◆ **De kettinggeleider kan heet worden tijdens het zagen. Let hier goed op.**

### Oorzaken en voorkoming van terugslag

Er kan terugslag optreden wanneer de punt van het zwaard op een voorwerp stoot of het hout terugveert en de zaagketting in de zaagsnede klem komt te zitten.

Als de punt een voorwerp raakt, kan het zwaard plotseling omhoog en naar achter slaan in de richting van uw lichaam. Wanneer de zaagketting aan de bovenzijde van het zwaard klem komt te zitten, kan het zwaard snel achterwaarts in de richting van uw lichaam worden geduwd.

Door deze beide reacties kunt u de controle over de kettingzaag verliezen en ernstig lichamelijk letsel oplopen. Vertrouw niet uitsluitend op de ingebouwde veiligheidsvoorzieningen van de kettingzaag.

Als gebruiker van de kettingzaag kunt u ook zelf het nodige doen om ongevallen of letsel tijdens de zaagwerkzaamheden te voorkomen.

Terugslag is het gevolg van het verkeerd gebruik of onjuiste gebruiksomstandigheden van het gereedschap en kan worden voorkomen door het nemen van gepaste voorzorgsmaatregelen, zoals hieronder beschreven:

- ◆ **Zorg voor een stevige grip door uw duimen en vingers om de handgrepen te sluiten. Houd de kettingzaag met beide handen vast en houd uw lichaam en armen zodanig dat u weerstand kunt bieden aan de terugslagkrachten.** Met geschikte voorzorgsmaatregelen kunt u de terugslagkrachten onder controle houden. Laat de kettingzaag niet los.
- ◆ **Reik niet buiten uw macht en zaag niet boven schouderhoogte.** Dit voorkomt onbedoeld contact met de punt en zorgt ervoor dat u de kettingzaag in onverwachte situaties beter onder controle kunt houden.
- ◆ **Gebruik uitsluitend door de fabrikant opgegeven zwaarden en kettingen.** Onjuiste vervangzwaarden en -kettingen kunnen kettingbreuk en/of terugslag veroorzaken.
- ◆ **Volg de slijp- en onderhoudsinstructies van de fabrikant voor de zaagketting.** Verkleining van de dieptemaat kan tot meer terugslag leiden.

### Veiligheidsaanbevelingen voor de kettingzaag

- ◆ **Onervaren gebruikers wordt sterk aangeraden een ervaren gebruiker om praktische instructies over het gebruik van de kettingzaag en veiligheidsuitrusting te vragen. De eerste ervaringen kunnen het beste worden opgedaan met het zagen van stammen op een zaagbok of montageframe.**
- ◆ **Wij adviseren u om tijdens het dragen van de kettingzaag de accu te verwijderen en de zaagketting naar achter te richten.**
- ◆ **Onderhoud uw kettingzaag als u deze niet gebruikt. Berg de kettingzaag niet op zonder dat u eerst de ketting en het zwaard uit de zaag hebt verwijderd en ondergedompeld in olie hebt bewaard. Bewaar alle onderdelen van uw kettingzaag op een droge, veilige plaats, buiten bereik van kinderen.**
- ◆ **Laat het oliereservoir leeglopen voordat u de kettingzaag opbergt.**
- ◆ **Zorg dat u stevig staat en zoek van tevoren naar een veilige uitweg voor vallende bomen of takken.**
- ◆ **Maak gebruik van wiggen om controle te houden over het kapproces en om te voorkomen dat de ketting en het zwaard in de zaagsnede vast komen te zitten.**
- ◆ **Onderhoud de zaagketting. Houd de zaagketting scherp en zorg dat deze stevig tegen het zwaard ligt. Zorg ervoor dat de zaagketting en het zwaard schoon en goed geolied zijn.**

Houd de handvatten droog, schoon en vrij van olie en vet.

### Terugslag kan worden veroorzaakt door:

- ◆ Het per ongeluk raken van takken of andere voorwerpen met de punt van de zaag, terwijl de zaagketting in beweging is.
- ◆ Het raken van metaal, cement of andere harde materialen in of in de buurt van het hout.
- ◆ Een botte of losse ketting.
- ◆ Het zagen boven schouderhoogte.
- ◆ Gebrek aan aandacht bij het vasthouden of leiden van de kettingzaag tijdens het zagen.
- ◆ Te hoog reiken. Zorg altijd voor een juiste, stabiele houding en reik niet te ver.
- ◆ Steek de zaag niet in een vorige zaagsnede. Dit kan een terugslag veroorzaken. Maak elke keer een nieuwe zaagsnede.
- ◆ Gebruik geen kettingzaag als u zich in een boom, op een ladder of op een ander onstabiel oppervlak bevindt. Als u dit wel doet, dient u te beseffen dat deze posities extreem gevaarlijk zijn.
- ◆ Bij het zagen van een tak die onder spanning staat, moet u er rekening mee houden dat deze kan terugspringen. Zorg dat u dan niet geraakt wordt.

### Zaag niet:

- ◆ In geprepareerd hout.
- ◆ In de grond.
- ◆ In gaasafstelingen, spijkers, enz.
- ◆ In kort struikgewas of jong hout, want dun materiaal kan in de zaagketting vast komen te zitten en naar u toe zwiepen of u uit balans trekken.
- ◆ Gebruik de kettingzaag niet boven schouderhoogte.
- ◆ Zorg dat er iemand in de buurt (maar op veilige afstand) is voor het geval er zich een ongeluk voordoet.
- ◆ Verzeker dat de kettingzaag is uitgeschakeld en de accu is verwijderd wanneer u de zaagketting om bepaalde redenen moet aanraken.
- ◆ Het geluidsniveau van dit product kan meer dan 80 dB(A) bedragen. Het is daarom raadzaam om de gepaste maatregelen te nemen om uw gehoor te beschermen

### Overige risico's.

Er kunnen zich nog meer risico's voordoen wanneer het gereedschap wordt gebruikt en de bijgesloten veiligheids waarschuwingen niet in acht worden genomen. Deze risico's kunnen zich voordoen door onoordeelkundig gebruik, langdurig gebruik, enz. Zelfs wanneer de veiligheidsvoorschriften in acht worden genomen en de veiligheidsvoorzieningen worden gebruikt, kunnen bepaalde risico's niet worden vermeden. Dit zijn onder meer:

- ◆ Letsels veroorzaakt door het aanraken van draaiende/bewegende onderdelen.
- ◆ Letsels veroorzaakt tijdens het vervangen van onderdelen, zaagbladen of accessoires.
- ◆ Letsels die worden veroorzaakt door langdurig gebruik van gereedschap. Wanneer u gereedschap gedurende langere periodes gebruikt, zorg er dan voor dat u regelmatig pauzes neemt.
- ◆ Gehoorschade.
- ◆ Gezondheidsrisico's door het inademen van stof dat vrijkomt tijdens het gebruiken van uw gereedschap (bijvoorbeeld:- het werken met hout, in het bijzonder eik, beuk en MDF.)

### Geluid en trilling

De aangegeven waarden voor trillingsemmissie en de in de technische gegevens en conformiteitsverklaring opgegeven waarde(n), zijn gemeten conform een standaardtestmethode die door EN 62841 wordt verstrekt en kunnen gebruikt worden voor het vergelijken van het ene gereedschap met een ander. De opgegeven waarde voor trillingsemmissie en de opgegeven waarde(n) voor trillingsemmissie kunnen ook worden gebruikt bij een voorlopige bepaling van blootstelling.

**Waarschuwing!** De waarde voor trillingsemmissie en geluidsemmissie tijdens het werkelijk gebruik van het elektrisch gereedschap kan verschillen van de verklaarde waarde, afhankelijk van de manieren waarop het gereedschap wordt gebruikt. De trillingswaarde kan toenemen tot boven het vermelde niveau.

Bij het beoordelen van blootstelling aan trilling ter vaststelling van de veiligheidsmaatregelen die worden vereist volgens 2002/44/EG ter bescherming van personen die in hun werk regelmatig elektrisch gereedschap gebruiken, moet een schatting van de blootstelling aan trilling de feitelijke gebruiksomstandigheden en de manier waarop het gereedschap wordt gebruikt in overweging nemen, en ook rekening houden met alle onderdelen van de bedrijfscyclus zoals het aantal malen dat het gereedschap wordt uitgeschakeld en dat het gereedschap stationair draait, in aanvulling op de ingeschakelde tijd.

### Etiketten op het gereedschap

Naast de datumcode, staan de volgende symbolen op het gereedschap:



**Waarschuwing!** De gebruiker moet de gebruikshandleiding lezen, om het risico op letsel te beperken.



Gebruik uw zaag niet in natte omstandigheden en stel deze niet bloot aan regen.



Draag altijd hoofd-, gehoor- en gezichtsbescherming.



Draag altijd een stofmasker



Draag altijd handschoenen.



Draag altijd antislipschoenen.



Houd een kettingzaag altijd stevig met beide handen vast.



Let op voor de terugslag van de kettingzaag en vermijd contact met de tip van het zwaard.



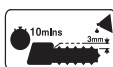
Bedien de kettingzaag niet met één hand.



Schakel het gereedschap uit. Neem, voordat u onderhoud aan het gereedschap uitvoert, de accu uit het gereedschap.



Wees bedacht op vallende voorwerpen. Houd omstanders op afstand



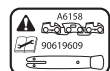
Controleer, om verdere veilige werking te verzekeren, de kettingspanning na elke 10 minuten gebruik, zoals wordt beschreven in deze handleiding, en stel ze opnieuw af op een speling van 3 mm zoals vereist. Smeer de ketting steeds na 10 minuten gebruik.



**Waarschuwing!** Raak de ketting niet aan bij het zaagselafvoerpunt



Draairichting van de ketting.



Om een voortdurend veilige werking te verzekeren, mogen de ketting en het zwaard uitsluitend door originele onderdelen van STANLEY FATMAX worden vervangen. Het betreft onderdeelnummer A6158 voor een vervangketting en onderdeelnummer 90619609 voor een vervangzwaard.



Richtlijn 2000/14/EC gegarandeerd geluidsvermogen.

## Aanvullende veiligheidsinstructies voor accu's en laders

### Accu's

- ◆ Probeer nooit, om welke reden dan ook, om accu's open te maken.
- ◆ Stel de accu niet bloot aan water.
- ◆ Stel de accu niet bloot aan hitte.
- ◆ Bewaar de accu niet op plaatsen met temperaturen hoger dan 40°C.
- ◆ Laad de accu alleen op bij een omgevingstemperatuur tussen 10°C en 40°C.
- ◆ Gebruik alleen de lader die bij het gereedschap/apparaat is geleverd. Het gebruik van de verkeerde lader kan een elektrische schok of oververhitting van de accu tot gevolg hebben.
- ◆ Gooi lege accu's weg volgens de instructies in het gedeelte "Milieu".
- ◆ U mag de accubehuizing niet beschadigen of vervormen door er gaten in te prikken of ertegen aan te stoten, omdat dit een risico op letsel en brand kan vormen.
- ◆ Laad beschadigde batterijen niet op.

**Onder extreme omstandigheden kan lekkage van accu's optreden. Wanneer de accu's nat of vochtig zijn, veegt u de vloeistof voorzichtig af met een doek.** Vermijd contact met de huid.

Volg in het geval contact met de huid of ogen onderstaande instructies.

**Waarschuwing!** De accuvloeistof kan persoonlijk letsel of materiële schade veroorzaken. Bij huidcontact moet u de vloeistof direct afspoelen met water. Raadpleeg uw huisarts als er rode vlekken ontstaan of bij een pijnlijke of geïrriteerde huid. Bij contact met de ogen moet u onmiddellijk spoelen met water en medische hulp inroepen.

### Laders

**Waarschuwing!** De lader is ontworpen voor een specifieke spanning. Controleer altijd dat de netspanning overeenkomt met de waarde op het typeplaatje.

**Waarschuwing!** Probeer nooit om de stekker van de lader te vervangen door een normale netstekker.

- ◆ Gebruik uw STANLEY FATMAX-lader alleen voor het opladen van de accu in het apparaat/gereedschap waarbij de lader is bijgeleverd. Andere accu's kunnen barsten, met persoonlijk letsel en schade tot gevolg.
- ◆ Probeer nooit om niet-oplaadbare accu's op te laden.

- ◆ Als het netsnoer is beschadigd, moet dit, om gevaarlijke situaties te voorkomen, worden vervangen door de fabrikant of een erkend STANLEY FATMAX-servicecentrum.
- ◆ Stel de lader niet bloot aan water.
- ◆ Open de lader niet.
- ◆ Prik nooit met een scherp voorwerp in de lader.
- ◆ Plaats de lader tijdens het opladen van de accu op een goed geventileerde locatie.

### Labels op de lader

Uw lader is voorzien van de volgende symbolen:



De lader is uitsluitend bestemd voor gebruik binnenshuis.



Lees de gebruikshandleiding voordat u de lader in gebruik neemt.

### Elektrische veiligheid



De lader is dubbel geïsoleerd, zodat een aardingsaansluiting niet nodig is. Controleer altijd dat de netspanning overeenkomt met de waarde op het typeplaatje. Probeer nooit om de stekker van de lader te vervangen door een normale netstekker.

- ◆ Als het netsnoer is beschadigd, moet dit worden vervangen door de fabrikant of een STANLEY FATMAX-servicecentrum zodat gevaarlijke situatie worden voorkomen.

### Functies

1. AAN/UIT-schakelaar
2. Hendel voor vergrendeling in de uit-stand
3. Kettingrem / voorste handbeschermkap
4. Zwaard
5. Zaagketting
6. Kap van het kettingwiel
7. Borgmoer stang
8. Schroef voor de kettingspanning
9. Oliedop
10. Oliepeilindicator
11. Zwaardafscherming
12. Achterste handgreep
13. Voorste handgreep
14. Accu
15. Accu-vrijgaveknop
16. Inbussleutel
17. Inbussleutelhouder

## Montage

**Waarschuwing!** Verwijder de accu (14) uit het gereedschap voordat u gaat monteren.

### De accu opladen (Afb. A)

De accu moet vóór het eerste gebruik worden opgeladen en ook zodra de accu niet meer voldoende vermogen levert voor taken die eerst gemakkelijk konden worden uitgevoerd. Tijdens het opladen kan de accu warm worden. Dit is normaal en duidt niet op een probleem.

**Waarschuwing!** Laad de accu niet op bij een omgevingstemperatuur lager dan 10 °C of hoger dan 40 °C. De aanbevolen laadtemperatuur: ongeveer 24 °C.

**Opmerking:** De lader zal de accu niet opladen als de temperatuur van de accu lager is dan ongeveer 10 °C of hoger dan 40 °C.

De accu moet in de lader blijven en de lader zal de accu automatisch beginnen op te laden wanneer de celtemperatuur stijgt of daalt.

- ◆ Plaats de accu (14) in de lader (18) om deze op te laden. De accu zal slechts op een manier in de lader passen. Oefen er geen kracht op uit. Controleer dat de accu goed in de lader is geplaatst.
- ◆ Steek de stekker van de lader in een stopcontact.

De oplaadindicator (18a) zal knipperen.

Het opladen is voltooid als de oplaadindicator (18a) blijft branden. De lader en de accu kunnen voor onbepaalde tijd verbonden blijven. Het lampje wordt ingeschakeld wanneer de lader de accu van tijd tot tijd bijlaadt.

- ◆ Lege accu's moet u binnen 1 week opladen. Als u accu's leeg bewaart, loopt de levensduur van de accu's aanzienlijk terug.

### LED-standen lader

	<b>Opladen:</b> Groene LED Knipperend	
	<b>Volledig opgeladen:</b> Groene LED Blijft branden	
	<b>Vertraging warme/koude accu:</b> Groene LED Knipperend Rode LED Blijft branden	

**Opmerking:** De geschikte lader(s) laden niet een kapotte accu op. De lader zal aangeven als een accu defect is doordat het indicatielampje niet gaat branden.

**Opmerking:** Dit kan ook betekenen dat er iets mis is met de lader. Als de lader aangeeft dat er een probleem is, laat de lader en de accu dan testen in een erkend servicecentrum.

### De accu in de lader laten

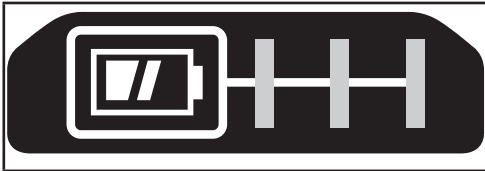
U kunt de accu voor onbeperkte tijd in de lader laten terwijl het LED-lampje blijft branden. De lader houdt de accu volledig opgeladen.

### Vertraging warme/koude accu

Als de lader detecteert dat de accu te koud of te warm is, start de lader automatisch een vertraging hete/koude accu, de groene LED (18a) knippert, terwijl de rode LED (18b) blijft branden, het laadproces wordt uitgesteld tot de accu de juiste temperatuur heeft bereikt. De lader schakelt dan automatisch over naar de accu-laadmodus. Deze functie zorgt voor een maximale levensduur van de accu.

### Indicatielampje status opladen accu (Afb. B)

Deze accu is voorzien van een laadniveau-indicator, zodat u snel de laadstatus van de accu kunt zien, zoals afgebeeld in afbeelding B. Door op de laadniveau-knop (14a) te drukken kunt u eenvoudig de resterende lading van de accu zien, zoals afgebeeld in afbeelding B.



### De accu plaatsen en verwijderen (Afb. L)

**Waarschuwing!** Zorg ervoor dat het gereedschap/apparaat in de uit-stand staat voordat u het accupack plaatst.

**Opmerking:** U bereikt het beste resultaat wanneer de accu volledig is opgeladen.

- ◆ Plaats de accu (14) in de handgreep van het gereedschap door de accu tegenover de rails aan de binnenzijde van de handgreep te houden en de accu in de handgreep te schuiven tot de accu stevig op z'n plaats zit en controleer vervolgens dat deze niet los kan komen.
- ◆ U kunt de accu uit het gereedschap halen door op de ontgrendelknop (15) te drukken en de accu met een stevige ruk uit de handgreep van het gereedschap te trekken. Plaats de accu in de lader zoals wordt beschreven in het ladergedeelte van deze handleiding.

### Het zwaard en de zaagketting plaatsen (Afb. D-H)

**Waarschuwing!** Scherpe ketting. Draag altijd veiligheidshandschoenen bij het hanteren van de ketting. De ketting is scherp en kan u ook verwonden wanneer het gereedschap is uitgeschakeld.

**Waarschuwing!** Scherpe bewegende ketting. Verzeker, om per ongeluk inschakelen te voorkomen, dat de accu uit het gereedschap is verwijderd voordat u de volgende handelingen uitvoert. Dit niet doen kan ernstig letsel veroorzaken.

Als de zaagketting (5) en het zwaard (4) apart in de verpakking zitten, moet de ketting op het zwaard worden bevestigd en moeten beide op de behuizing van het gereedschap worden bevestigd.

- ◆ Plaats de zaag op een vlak en stevig oppervlak.
- ◆ Draai de borgmoer van het zwaard (7) linksom met de meegeleverde inbussleutel (16).
- ◆ Verwijder de kap van het kettingwiel (6) en de borgmoer van het zwaard (7).
- ◆ Draag beschermende handschoenen, pak de zaagketting (5) vast en leg deze om het zwaard (4), waarbij verzekerd moet worden dat de tanden in de juiste richting wijzen (Afb. H).
- ◆ Controleer dat de ketting goed en volledig rondom in de sleuf van het zwaard zit.
- ◆ Plaats de zaagketting rond het tandwiel (19). Houd de sleuf op het zwaard tegenover de pen (20) en de bout (21) die de ketting op spanning houden, op de grondplaat van het gereedschap, zoals wordt weergegeven op Afb. E.
- ◆ Als alles op z'n plaats zit, moet het zwaard stil gehouden worden en moet de kap van het kettingwiel (6) opnieuw worden geplaatst. Installeer eerst de achterkant van de kap van het kettingwiel, draai het omlaag en verzeker dat het gat van de bout op de kap is uitgelijnd met de bout (21) op de hoofdbehuizing.
- ◆ Plaats de borgmoer van het zwaard (7) en draai deze naar rechts met de bijgeleverde inbussleutel (16) tot volledig vast, draai daarna de bouten één volledig omwenteling, zodat de zaagketting goed kan worden gespannen.
- ◆ Draai de knop voor het spannen van de ketting (8) naar rechts om de spanning te verhogen, zoals wordt weergegeven op Afb. D. Controleer dat de zaagketting (5) stevig rond het zwaard (4) zit. Draai de borgmoer van het zwaard (7) vast.
- ◆ Volg de instructies in het hoofdstuk Spanning van de ketting afstellen.

### De spanning van de ketting afstellen (Afb. D-H)

**Waarschuwing!** Een onjuiste spanning van de zaagketting kan ertoe leiden dat de zaagketting van het zwaard loop, met ernstige letsels of een fataal ongeval als gevolg.

**Opmerking:** De spanning van de zaagketting moet regelmatig worden afgesteld, voorafgaand aan elk gebruik.

- ◆ Controleer met de zaag nog steeds op een vlak en stevig oppervlak, de spanning van de zaagketting (5). De ketting is goed op spanning wanneer de zaagketting terugveert wanneer u de ketting licht met uw wijsvinger en duim (3 mm) wegtrekt van het zwaard (4), zoals wordt weergegeven op Afb. F.

De ketting mag niet aan de onderzijde van het zwaard "doorzakken", zoals wordt weergegeven op Afb. G.

- ◆ Om de spanning van de zaagketting af te stellen, moet de borgmoer van het zwaard (7) losgedraaid worden.
- ◆ Draai de schroef voor het aanspannen van de ketting (8) aan de voorkant van de behuizing met het platte schroevendraaiereinde van de sleutel (16).
- ◆ Controleer de spanning van de zaagketting en stel deze af als dat nodig is.
- ◆ Stel de zaagketting niet te strak af. Dit leidt tot overmatige slijtage en beperkt de levensduur van het zwaard en de zaagketting. Bij een te hoge spanning van de ketting kunt u ook minder zaagsneden uitvoeren per lading van de accu.
- ◆ Zet, zodra de kettingspanning juist is, de borgmoer (7) vast. Draai de borgmoer van het zwaard (7) vast tot (8 Nm).
- ◆ Een nieuwe ketting rekt wat uit in de eerste uren dat u hem gebruikt. Het is belangrijk dat u de spanning vaak controleert (verwijder de accu na het loskoppelen) tijdens de eerste twee uren van gebruik.

## De zaagketting vervangen (Afb. D-H)

**Waarschuwing!** Scherpe bewegende ketting. Verzeker, om per ongeluk inschakelen te voorkomen, dat de accu uit het gereedschap is verwijderd voordat u de volgende handelingen uitvoert. Dit niet doen kan ernstig letsel veroorzaken.

**Opgelet:** Scherpe ketting. Draag altijd veiligheidshandschoenen bij het hanteren van de ketting. De ketting is scherp en kan u ook verwonden wanneer het gereedschap is uitgeschakeld.

**Opgelet:** De kettingsnelheid van dit product is 8.6 m/s. Gebruik alleen kettingen die geschikt zijn voor een snelheid hoger dan 8.6 m/s.

- ◆ Plaats de zaag op een vlak en stevig oppervlak.
- ◆ Verwijder de kap van het kettingwiel (6), zoals wordt beschreven in het hoofdstuk Het zwaard en de zaagketting plaatsen.
- ◆ Draai om de zaagketting (5) te verwijderen, de schroef voor de kettingspanning (8) op de voorkant van de behuizing met het platte schroevendraaiereinde van de steeksleutel. Draai de schroef naar links zodat het zwaard (4) terugwijkt en de spanning op de ketting afneemt en de ketting kan worden verwijderd.
- ◆ Trek beschermende handschoenen aan, pak de zaagketting vast en licht de versleten zaagketting uit de groef in het zwaard.
- ◆ Klap het zwaard steeds om wanneer u de ketting vervangt, zodat gelijkmatige slijtage gewaarborgd is.

- ◆ Plaats de nieuwe ketting in de sleuf op het zwaard en zorg ervoor dat de zaagtanden in de juiste richting wijzen, overeenkomstig de richting van de pijl en de afbeelding op de zaagketting en de kap van het kettingwiel (6), zoals weergegeven op Afb. H.
- ◆ Volg de instructies onder Het zwaard en de zaagketting plaatsen.

Reserveonderdelen voor de ketting en het zwaard zijn verkrijgbaar bij het geautoriseerde servicecentrum bij u in de buurt.

Deze kettingzaag vereist een (304 mm) vervangketting. Vervangzwaard (304 mm).

## Zaagketting en zwaard smeren (Afb. I)

### Automatisch smeersysteem

Deze kettingzaag is voorzien van een systeem voor automatische smering waarmee de zaagketting en het zwaard doorlopend worden gesmeerd.

De oliepeilindicator (10) toont het oliepeil in de kettingzaag. Als het oliepeil tot op minder dan een vierde is gezakt, haal de accu dan uit de kettingzaag en vul olie van het juiste type bij. Laat de olietank altijd leeglopen wanneer u klaar bent met zagen.

Maak de olietank altijd leeg voordat u dit gereedschap opbergt.

**Opmerking:** Gebruik deze kettingzaag niet zonder olie.

**Opmerking:** Gebruik voor het zwaard en de zaagketting altijd biologisch afbreekbare olie van hoge kwaliteit zodat de ketting en het zwaard goed worden gesmeerd. Tijdens het snoeien van bomen, is plantaardige olie voor het zwaard en de zaagketting aanbevolen, omdat minerale oliën levende bomen kunnen schaden. Gebruik nooit vuile, gebruikte of verontreinigde olie. Dit kan het gereedschap beschadigen.

### Het oliereservoir vullen

- ◆ Draai de oliedop naar links en verwijder de oliedop (9). Vul het reservoir met de aanbevolen olie voor zwaard en ketting, tot het oliepeil de bovenzijde van de aanwijzer van het oliepeil (10) heeft bereikt.
- ◆ Plaats de oliedop weer en draai de dop naar rechts vast.
- ◆ Schakel de kettingzaag nu en dan uit en controleer de aanwijzer van het oliepeil, om te verzekeren dat het zwaard en de ketting goed worden gesmeerd. Schakel de kettingzaag nu en dan uit en controleer de aanwijzer van het oliepeil, om te verzekeren dat het zwaard en de ketting goed worden gesmeerd.

## De kettingzaag vervoeren (Afb. J)

- ◆ Schakel het gereedschap altijd uit, verwijder de accu en de kap van het zwaard (4) met de beschermkap voor het zwaard (11) tijdens het vervoeren van de zaag.

## Werking

**Waarschuwing!** Schakel, om het risico op ernstig persoonlijk letsel te verminderen, de eenheid uit en verwijder de accu voordat u aanpassingen uitvoert of hulpstukken of accessoires verwijdert/installeert. Wanneer het gereedschap per ongeluk wordt ingeschakeld kan dat leiden tot letsel.

## Juiste handpositie (Afb. K)

**Waarschuwing!** Om het risico op ernstig persoonlijk letsel te verminderen, dient u ALTIJD de handen in de juiste positie te houden, zoals weergegeven.

**Waarschuwing!** Houd het apparaat altijd stevig vast om te anticiperen op een plotse reactie, om het risico op ernstig persoonlijk letsel te verminderen.

De juiste positie van de handen vereist dat de linkerhand op de voorste handgreep (13) wordt geplaatst en de rechterhand op de achterste handgreep (12).

## De kettingzaag bedienen (Afb. K)

**Waarschuwing!** Lees alle instructies en zorg ervoor dat u deze begrijpt. Het niet opvolgen van alle onderstaande instructies kan leiden tot een elektrische schok, brand en/of ernstig persoonlijk letsel.

- ◆ Wees op uw hoede voor terugslag, omdat deze ernstig letsel mogelijk met dodelijke afloop tot gevolg kan hebben. Zie de Algemene veiligheidswaarschuwingen voor elektrisch gereedschap en de Algemene veiligheidswaarschuwingen voor kettingzagen en Oorzaken van terugslag en hoe de gebruiker deze kan voorkomen en Veiligheidsvoorzieningen tegen terugslag om het risico op terugslag te vermijden.
- ◆ Reik niet buiten uw macht. Zaag niet boven borsthoogte. Zorg ervoor dat u stevig staat. Zet uw voeten uit elkaar. Verdeel uw gewicht gelijkmatig over beide voeten.
- ◆ Pak de voorste handgreep (13) stevig met uw linkerhand vast en de achterste handgreep (12) met uw rechterhand, zodat uw lichaam zich links van het zwaard (4) bevindt.
- ◆ Houd de kettingzaag niet vast bij de kettingrem/voorste handbeschermkap (3). Houd de elleboog van uw linkerarm stevig gestrekt zodat uw linkerarm recht is en terugslag kan tegenhouden.

**Waarschuwing!** Houd de kettingzaag nooit met gekruiste handen vast (linkerhand op de achterste handgreep en de rechterhand op de voorste handgreep).

**Waarschuwing!** Zorg ervoor dat er nooit een deel van uw lichaam zich in een rechte lijn met het zwaard bevindt wanneer u met de kettingzaag werkt.

- ◆ Werk nooit met het gereedschap terwijl u in een boom of in een ongemakkelijke positie zit of op een ladder of een instabiel oppervlak staat. U kunt dan de controle over de zaag verliezen en dat kan ernstig letsel tot gevolg hebben.
- ◆ Houd de kettingzaag op volledige snelheid ingeschakeld zolang u aan het zagen bent.

- ◆ Laat de zaagketting het zaagwerk doen. Oefen alleen lichte druk uit. Zet geen druk op de kettingzaag aan het einde van de zaagsnede.

**Waarschuwing!** Wanneer u de kettingzaag niet gebruikt, moet de kettingrem zijn ingeschakeld en de accu zijn verwijderd.

## De kettingrem instellen (Afb. K, L)

Uw kettingzaag is voorzien van een remsysteem voor de ketting, dat de ketting snel tot stilstand brengt in geval van terugslag.

- ◆ Verzeker dat de kettingrem/voorste handbeschermkap (3) in de voorste stand staat.
- ◆ Plaats de accu (14) in het gereedschap.
- ◆ Trek de kettingrem/voorste handbeschermkap (3) naar de voorste handgreep (13) in de stand 'ingesteld/gereed', zoals weergegeven op Afb. L.
- ◆ Het gereedschap is nu klaar voor gebruik.
- ◆ Zet de kettingrem/voorste handbeschermkap na gebruik opnieuw in de voorste stand.
- ◆ Verwijder de accu uit.

**Opmerking:** Bij een terugslag komt uw linkerhand in aanraking met de voorste beschermkap en drukt deze naar voren in de richting van het werkstuk. Hierdoor komt het gereedschap tot stilstand.

## De kettingrem testen (Afb. L)

Test de kettingrem voor ieder gebruik zodat u zeker weet dat de rem goed werkt.

- ◆ Plaats het gereedschap op een vlak en stevig oppervlak. Controleer dat de zaagketting (5) de grond niet raakt.
- ◆ Houd het gereedschap stevig met beide handen vast en schakel de kettingzaag in.
- ◆ Draai uw linkerhand naar voor rond de voorste handgreep (13) zodat de achterkant van uw hand de kettingrem/voorste handbeschermkap (3) raakt en deze naar voor duwt, in de richting van het werkstuk. De kettingzaag moet onmiddellijk tot stilstand komen.

**Opmerking:** Als de zaag niet onmiddellijk tot stilstand komt, gebruik het gereedschap dan niet meer en breng het naar een erkend servicecentrum bij u in de buurt.

**Waarschuwing!** Let er vooral op dat u de kettingrem instelt, voordat u gaat zagen.

## Aan/uit-schakelaar (Afb. M)

Zorg er altijd voor dat u stevig staat en pak de kettingzaag stevig met beide handen vast met de duim in de vingers om bij de handgrepen.

- ◆ Druk om de eenheid in te schakelen op hendel voor vergrendeling in de uit-stand (2), weergegeven op Afb. M en knijp de schakelaar (1) in. Wanneer het gereedschap eenmaal werkt, kunt u de hendel voor de vergrendeling in de uit-stand loslaten.



- ◆ U houdt het gereedschap in werking door de Aan/Uit-schakelaar ingedrukt te houden. U kunt het gereedschap uitschakelen door de Aan/Uit-schakelaar los te laten.

### Slijpen van de zaagketting (Afb. N - P)

**Opgelet:** Scherpe ketting. Draag altijd veiligheidshandschoenen bij het hanteren van de ketting. De ketting is scherp en kan u ook verwonden wanneer het gereedschap is uitgeschakeld.

**Waarschuwing!** Scherpe bewegende ketting. Verzeker, om per ongeluk inschakelen te voorkomen, dat de accu uit het gereedschap is verwijderd voordat u de volgende handelingen uitvoert. Dit niet doen kan ernstig letsel veroorzaken.

**Opmerking:** De zaagtanden worden onmiddellijk bot wanneer ze tijdens het zagen de grond of een spijker raken.

Voor optimale prestaties van uw kettingzaag, is het belangrijk dat u de tanden van de zaagketting scherp houdt. Volg deze nuttige tips voor het op de juiste manier slijpen van de ketting:

- ◆ U bereikt de beste resultaten door de zaagketting te slijpen met een vijl van 4,5 mm en een houder of een vijlgeleider. U zorgt er dan voor dat u altijd de juiste slijphoek aanhoudt.
- ◆ Plaats de vijlhouder op de bovenplaat en de dieptemeter van het slijptoestel.
- ◆ Behoud de juiste hoek van 30 ° aan voor het vijlen voor de bovenplaat (2) op uw vijlgeleider parallel met uw ketting (vijl) op 60 ° van de ketting gezien van de zijkant), zoals weergegeven.
- ◆ Slijp de tanden eerst aan één zijde van de ketting. Vijl vanaf de binnenzijde van iedere tand naar de buitenzijde. Draai uw zaag om en herhaal de handelingen (2, 3, 4) voor de tanden aan de andere kant van de ketting.

**Opmerking:** Gebruik een platte vijl voor het vijlen van de bovenkanten van de beitels (gedeelte van de kettingkoppeling voor de tand) zodat deze zich ongeveer (0,635 mm) onder de punt van de tanden bevindt, zoals weergegeven hieronder.

- ◆ Houd alle zaaglengtes gelijk zoals weergegeven op Afb. O.
- ◆ Als er een beschadiging zit op het chromen oppervlak van de boven- of zijplaten, vijl dan tot een dergelijke beschadiging weg is.

**Opgelet:** Na het vijlen is de tand scherp, ga dan extra voorzichtig te werk.

**Opmerking:** Iedere keer dat de ketting wordt geslepen, gaat iets van de goede teruglageigenschappen verloren en moet u extra voorzichtig zijn. Het wordt aanbevolen om de zaagketting niet meer dan vier keer te slijpen.

### Opbergvak inbussleutel (Afb. Q)

Als de inbussleutel (16) niet gebruikt wordt, moet deze worden bewaard in de inbussleutelhouder (17) onder het gereedschap.

Trek de inbussleutel uit de inbussleutelhouder om deze te verwijderen.

Duw de inbussleutel in de inbussleutelhouder om deze te bewaren.

### Stanley Track Wall-systeem (Fig. R,S)

**Waarschuwing!** Schakel, om het risico op ernstig persoonlijk letsel te verminderen, de eenheid uit en verwijder de accu voordat u aanpassingen uitvoert of hulpstukken of accessoires verwijdert/installeert. Wanneer het gereedschap per ongeluk wordt ingeschakeld kan dat leiden tot letsel.

**Waarschuwing!** Gebruik geen beschadigde ophanghaak van een Stanley Track Wall-systeem of een beschadigd Stanley Track Wall-systeem, om het risico op ernstig persoonlijk letsel te verminderen. Een beschadigde ophanghaak van een Stanley Track Wall-systeem of een beschadigd Stanley Track Wall-systeem zal het gewicht van het gereedschap niet kunnen dragen.

**Waarschuwing!** Hang het gereedschap NIET boven uw hoofd op en hang geen voorwerpen aan de ophanghaak, om het risico op ernstig persoonlijk letsel te verminderen. Hang gereedschap ALLEEN aan het Stanley Track Wall-systeem met de ophanghaak.

**Waarschuwing!** De ophanghaak van het Stanley Track Wall-systeem is bedoeld om het gereedschap op een rail van een Stanley Track Wall-systeem te plaatsen.

Gebruik de ophanghaak niet om het gereedschap op een ander oppervlak te plaatsen.

**Waarschuwing!** De ophanghaak van het Stanley Track Wall-systeem is geen riemhaak.

**Waarschuwing!** Laat bij het ophangen van voorwerpen aan de rail van een Stanley Track Wall-systeem voldoende ruimte tussen gereedschap, om het gewicht van 35 kg per lopende meter niet te overschrijden.

**Waarschuwing!** Verzeker vóór gebruik van het gereedschap dat de ophanghaak van het Stanley Track Wall-systeem opnieuw op de originele positie is geplaatst.

**Belangrijk:** Accessoires voor het Stanley Track Wall-systeem maken het mogelijk om compatibel gereedschap veilig aan het Stanley Track Wall-systeem te bevestigen.

Schakel het gereedschap uit, verwijder de accu en verwijder accessoires.

Plaats de zwaardafscherming (11) op het zwaard (4).

**Opgelet:** Voor elk product met blootliggende zaagtanden, moeten deze veilig bedekt worden als ze op een Stanley Track Wall-systeem geplaatst worden.

Monteer de ophanghaak (23) aan het Stanley Track Wall-systeem, zoals weergegeven op Afb. R,S. De haak zal op zijn plaats vastklikken.

**Opmerking:** Accessoires voor het Stanley Track Wall-systeem voor gebruik met bij uw gereedschap, zijn tegen betaling verkrijgbaar bij uw plaatselijke verdeler of erkend servicecentrum.

**Algemene zaagtechnieken**

**Bomen vellen (Afb. T, U)**

Het proces van het omzagen van een boom. Zaag geen bomen om bij harde wind.

**Waarschuwing!** Bij het vellen van bomen kunnen personen gewond raken. Het mag alleen worden uitgevoerd door een getraind iemand.

Voordat met zagen wordt begonnen, moet een uitwijkroute worden gepland en zo nodig worden vrijgemaakt. Het uitwijkp pad moet zich uitstrekken naar achteren en diagonaal op de achterzijde van de verwachte valrichting van de boom, zoals onderstaand weergegeven.

- ◆ Kijk, voordat u met het vellen van een boom begint, naar de natuurlijke groeirichting van de boom, de plaats van de grotere takken en de windrichting, zodat u kunt beoordelen waar de boom heen zal vallen. Houd wiggen (hout, kunststof of aluminium) en een zware houten hamer in gereedheid. Verwijder vuil, stenen, losse schors, spijkers, nagels en draad uit de boom, op de plaats waar de zaagsneden voor het vellen worden uitgevoerd.
- ◆ Zaagsnede als inkeping - Maak de inkeping tot op 1/3 van de diameter van de boom, haaks op de valrichting. Maak de onderste horizontale inkeping eerst. Dit helpt te voorkomen dat de kettingzaag of het zwaard bekneld raakt, wanneer de tweede inkeping wordt gezaagd, zoals onderstaand weergegeven.
- ◆ Zaagsnede voor het vellen - maak de zaagsnede voor het vellen ten minste 51 mm hoger dan de horizontale inkeping. Houd de zaagsnede parallel aan de horizontale inkeping. Maak de zaagsnede voor het vellen zo dat er voldoende hout overblijft dat kan dienen als scharnier. Het scharnierende hout maakt dat de boom niet kan draaien en in de verkeerde richting vallen. Zaag het scharnier niet door, zoals onderstaand weergegeven.
- ◆ Naarmate de zaagsnede voor het vellen in de buurt komt van het scharnierpunt, moet de boom beginnen te vallen. Als de kans bestaat dat de boom niet in de gewenste richting valt of als de boom terugkantelt en de zaagketting vastzet, stop dan het zagen voordat de zaagsnede is voltooid en open met behulp van wiggen de zaagsnede en laat de boom in de gewenste richting vallen. Haal, wanneer de boom begint te vallen de kettingzaag uit te zaagsnede, stop de motor, leg de kettingzaag neer en volg de geplande uitwijkroute. Let op vallende takken boven uw hoofd en kijk waar u uw voeten neerzet.

**Takken afzagen (Afb. V)**

Het verwijderen van takken van een omgevallen boom.

Wanneer u takken afzaagt, laat u grotere takken onderaan zitten zodat de boom van de grond wordt gehouden. Verwijder de kleine takken in één zaagbeweging.

Takken die onder spanning staan moeten vanaf de onderzijde van de tak naar boven worden afgezaagd, zodat wordt voorkomen dat de zaagketting vastloopt, zoals weergegeven op Afbeelding V. Maak nooit zaagsneden met de zaag tussen uw benen en klem de af te zagen tak niet tussen uw benen.

**Zagen (Afb. W, X, Y, Z)**

**Waarschuwing!** Het wordt aanbevolen dat personen die de kettingzaag voor het eerst gebruiken, een zaagbok gebruiken. Een geveld boom of een houtblok in stukken zagen. De manier van zagen is afhankelijk van de ondersteuning van het blok. Maak indien mogelijk gebruik van een zaagbok, zoals weergegeven op Afb. W.

- ◆ Begin een zaagsnede altijd pas wanneer de zaagketting op volle snelheid draait.
- ◆ Plaats de onderste punt van de kettingzaag achter de plaats van de eerste zaagsnede, zoals weergegeven op Afb. W.
- ◆ Schakel de kettingzaag in en draai vervolgens de zaagketting en het zwaard omhoog in de boom, gebruik de uitstekende punt daarbij als scharnierpunt.
- ◆ Zet wanneer de kettingzaag een hoek van 45 ° bereikt de kettingzaag opnieuw recht en herhaal deze stappen tot u de boom volledig hebt doorgezaagd.
- ◆ Als de boom over de volle lengte wordt ondersteund, Afb. X, maak de zaagsnede dan van boven af, maar zaag niet in de grond, omdat uw zaag dan snel bot wordt.
- ◆ Als de boom aan één kant wordt ondersteund, Afb. Y, zaag dan eerst tot op 1/3 van de doorsnede van onderen af. Maak de zaagsnede vervolgens af door van boven af naar de eerste zaagsnede te zagen, zoals hieronder weergegeven.
- ◆ Als de boom aan beide kanten wordt ondersteund, Afb. Z, zaag dan eerst tot op 1/3 van de doorsnede van onderen af. Maak vervolgens de zaagsnede af door de boom van boven af voor 2/3 door te zagen naar de eerste zaagsnede toe, zoals hieronder weergegeven.

**Problemen oplossen**

Probleem	Mogelijke oorzaak	Mogelijke oplossing
Apparaat start niet	Vergrendelknop niet ingedrukt.	Druk de vergrendelknop in.
	Accu niet geplaatst	Plaats de accu
	Accu niet opgeladen	Laad de accu op
	Accu niet correct geplaatst	Verwijder de accu uit en plaats deze opnieuw

Probleem	Mogelijke oorzaak	Mogelijke oplossing
De ketting stopt niet binnen 2 seconden nadat het gereedschap is uitgeschakeld	De ketting is te slap afgesteld	Controleer de kettingspanning
Het zwaard en/of de ketting worden zeer heet/er is rook zichtbaar	Het oliereservoir is leeg	Controleer het oliepeil
	Oliegaatje in het zwaard is verstopt	Reinig de oliegaatjes en maak de groef rond de rand van het zwaard schoon.
	De ketting is te strak gespannen	Controleer de kettingspanning
	De neus van het aandrijfkettingwiel van het zwaard moet worden gesmeerd	Smeer de neus van het aandrijfkettingwiel van het zwaard
De kettingzaag zaagt niet goed	De ketting is achterstevoren gemonteerd	Controleer/wijzig de richting van de ketting
		Slijpen
De kettingzaag verbruikt geen olie	Olie in het reservoir is verontreinigd	Tap de olie af en vul het reservoir met schone olie
	Het oliegaatje in de dop is geblokkeerd	Maak het gaatje schoon
	De kettinggeleider is vies	Reinig de kettinggeleider
	Het olieafvoergaatje is verstopt	Verwijder het vuil
De kettingzaag stopt plotseling tijdens gebruik	Accu leeg	Controleer de acculading door op de knop van de laadniveau-indicator te drukken. Laad de accu indien nodig opnieuw op.
	Accu te heet	Laat de accu minstens 30 minuten afkoelen voordat u verdergaat of de accu oplaadt.
	Stroombegrenzingsbeveiliging	Start de kettingzaag opnieuw. Laat het gereedschap op z'n eigen snelheid werken. Overbelast de machine niet.

Controleer regelmatig de volgende zaken.

**Waarschuwing!** Doe altijd het volgende voordat u onderhouds- of reinigingswerkzaamheden aan elektrisch gereedschap uitvoert:

- ◆ Zet het gereedschap uit en haal de stekker uit het stopcontact.

## Oliepeil

Het peil in het reservoir mag niet onder een kwart komen.

## Zaagketting en zwaard

- ◆ Verwijder telkens na enkele uren gebruik en vóór opbergen de zaagketting en het zwaard en reinig deze grondig.
- ◆ Zorg dat de beschermkap schoon is en dat er geen zaagafval op zit.
- ◆ Smeer de neus van het aandrijfkettingwiel en het zwaard via de tandwielsmeergaten. Hierdoor wordt de slijtage gelijkmatig over de zwaardrails verdeeld.

## Zaagketting slijpen

Voor optimale prestaties van het gereedschap moet u de tanden van de zaagketting scherp houden.

Richtlijnen voor deze procedure vindt u op de verpakking van de slijper.

## Versleten ketting vervangen

Vervangkettingen zijn verkrijgbaar bij verdelers of STANLEY FATMAX-servicecentra. Gebruik altijd originele vervangonderdelen.

## Scherpte van zaagketting

De zaagtanden worden direct bot als deze tijdens het zagen de grond of een spijker raken.

## Spanning van zaagketting

Controleer regelmatig de kettingspanning.

## Wat te doen als uw kettingzaag gerepareerd moet worden?

Uw kettingzaag voldoet aan de geldende veiligheidseisen. Reparaties mogen uitsluitend worden uitgevoerd door bevoegde vakmensen en met behulp van originele reserveonderdelen. Niet-naleving van deze regel kan aanzienlijk gevaar voor de gebruiker opleveren. Bewaar deze gebruiksaanwijzing op een veilige plaats.

## Het milieu beschermen



Gescheiden inzameling. Producten en accu's met dit symbool mogen niet bij het normale huishoudafval worden weggegooid.

## Onderhoud

Wanneer u de zaag regelmatig onderhoudt, is een lange levensduur van het gereedschap gegarandeerd.

Producten en accu's bevatten materialen die kunnen worden teruggewonnen of gerecycled, waardoor de vraag naar ruwe grondstoffen afneemt.

Recycle elektrische producten en accu's overeenkomstig de plaatselijke richtlijnen. Nadere informatie is beschikbaar op [www.2helpU.com](http://www.2helpU.com)

LWA (gemeten geluidsvermogensniveau) 99 dB(A),  
onzekerheid (K) = 1,6 dB (A),  
LWA (gegarandeerd geluidsvermogen) 101 dB(A)

**Deze producten voldoen ook aan richtlijnen  
2014/30/EU en 2011/65/EU.**

**Neem voor meer informatie contact op met STANLEY  
FATMAX** op het volgende adres of raadpleeg de achterzijde van de handleiding.

Ondergetekende is verantwoordelijk voor de samenstelling van het technisch bestand en legt deze verklaring af namens STANLEY FATMAX

*Patrick Diepenbach*

Patrick Diepenbach  
General Manager, Benelux  
Stanley FatMax,  
Egide Walschaertsstraat 14-18  
2800 Mechelen, België  
28/06/2023

**Garantie**

STANLEY FATMAX heeft vertrouwen in zijn producten en biedt consumenten een garantie van 12 maanden vanaf de datum van aankoop. Deze garantie is een aanvulling op uw wettelijke rechten en maakt op geen enkele wijze inbreuk daarop. De garantie is geldig op het grondgebied van de Lidstaten van de Europese Unie en de Europese Vrijhandelszone en het Verenigd Koninkrijk. Voor een garantie-aanspraak moet uw aanspraak in overeenstemming zijn met de Algemene voorwaarden van STANLEY FATMAX en moet u een bewijs van aankoop overleggen aan de verkoper of aan een geautoriseerde reparatiemonteur. De algemene voorwaarden van de 1-jarige garantie van STANLEY FATMAX en het adres van de vestiging van de erkende reparatiemonteur bij u in de buurt, kunt u vinden op internet op [www.2helpU.com](http://www.2helpU.com) of door contact op te nemen met uw plaatselijk STANLEY FATMAX-kantoor, op het adres dat in deze handleiding wordt vermeld. Ga naar onze website [www.stanley.eu/3](http://www.stanley.eu/3) om uw nieuw STANLEY FATMAX-product te registreren en updates over nieuwe producten en speciale aanbiedingen te ontvangen.

**Technische gegevens**

SFMCCS730			
Spanning	V <sub>DC</sub>		18
Lengte zwaard	mm		300
Kettingsnelheid (onbelast)	m/s		6,7
Maximale lengte zaagsnede	mm		250
Olie-inhoud	ml		150
Gewicht	kg	2,51 (zonder zaagketting, zwaard, beschermkap van het zwaard, olie, accu)	

Lader		SFMCB11	SFMCB12	SFMCB14
Ingangsspanning	V <sub>AC</sub>	230	230	230
Uitgangsspanning	V <sub>DC</sub>	18	18	18
Stroom	A	1,25	2	4

Accu		SFMCB201	SFMCB202	SFMCB204	SFMCB206
Spanning	V <sub>DC</sub>	18	18	18	18
Capaciteit	Ah	1,5	2,0	4,0	6,0
Type		Li-Ion	Li-Ion	Li-Ion	Li-Ion

Geluidsdruk niveau, volgens EN 62841:	
L <sub>PA</sub> (geluidsdruk) 87 dB(A), meetonzekerheid (K) 3 dB(A)	
L <sub>WA</sub> (geluidsvermogen) 99 dB(A), meetonzekerheid (K) 1,6 dB(A)	
Vibratie totaalwaarden (triax vectorsom) vastgesteld volgens EN 62841:	
Waarde trillingsemmissie (a <sub>W</sub> ) 6,5 m/s <sup>2</sup> , onzekerheid (K) 1,5 m/s <sup>2</sup>	

**EG-conformiteitsverklaring**  
MACHINERICHTLIJN



SFMCCS730- Compacte kettingzaag  
STANLEY FATMAX verklaart dat deze producten die worden beschreven onder 'technische gegevens', conform zijn aan:  
2006/42/EG,  
EN 62841-1:2015+A11:2022, EN 62841-4-1:2020,  
2000/14/EC, Annex V

## Uso previsto

La motosierra compacta SFMCCS730 de STANLEY FATMAX ha sido diseñada para trabajos ligeros de corte y poda. Este aparato ha sido concebido para usuarios profesionales y para usuarios particulares no profesionales.

## Instrucciones de seguridad

### Advertencias de seguridad generales para herramientas eléctricas



**¡Advertencia! Lea todas las advertencias de seguridad, instrucciones, ilustraciones y especificaciones suministradas con esta herramienta eléctrica.** El incumplimiento de las instrucciones que se indican a continuación puede causar descargas eléctricas, incendios y/o lesiones graves.

**Guarde todas las advertencias e instrucciones para futuras consultas.** El término "herramienta eléctrica" empleado en las advertencias a continuación hace referencia a la herramienta eléctrica con alimentación de red (con cable) o alimentada por batería (sin cable).

#### 1. Seguridad en el área de trabajo

- a. **Mantenga su área de trabajo limpia y bien iluminada.** Las áreas desordenadas u oscuras pueden provocar accidentes.
- b. **No utilice herramientas eléctricas en atmósferas explosivas, tales como ambientes donde haya polvo, gases o líquidos inflamables.** Las herramientas eléctricas originan chispas que pueden inflamar el polvo o los gases.
- c. **Mantenga alejados a los niños y a otras personas del área de trabajo cuando use una herramienta eléctrica.** Las distracciones pueden causar la pérdida de control de la herramienta.

#### 2. Seguridad eléctrica

- a. **Los enchufes de las herramientas eléctricas deben corresponderse con la toma de corriente. No modifique nunca el enchufe de ninguna forma. No utilice ningún enchufe adaptador con las herramientas eléctricas conectadas a tierra (puestas a masa).** Los enchufes no modificados y las tomas de corriente correctas reducen el riesgo de descarga eléctrica.
- b. **Evite que su cuerpo toque partes conectadas o puestas a tierra tales como tuberías, radiadores, cocinas y refrigeradores.** Existe un mayor riesgo de descarga eléctrica si tiene el cuerpo conectado a tierra.

- c. **No exponga las herramientas eléctricas a la lluvia ni la humedad.** Si entra agua en una herramienta eléctrica, aumenta el riesgo de descarga eléctrica.
- d. **No use el cable de alimentación en modo inapropiado. No use nunca el cable para transportar, tirar o desenchufar la herramienta eléctrica. Mantenga el cable alejado del calor, el aceite, los bordes afilados o las piezas en movimiento.** Los cables dañados o enredados aumentan el riesgo de descarga eléctrica.
- e. **Cuando trabaje con la herramienta eléctrica en un lugar exterior, utilice solamente cables de prolongación homologados para uso en exteriores.** La utilización de un cable adecuado para el uso en exteriores reduce el riesgo de descarga eléctrica.
- f. **Si la utilización de una herramienta eléctrica en un lugar húmedo es inevitable, utilice una fuente protegida con un dispositivo diferencial residual (DDR).** El uso de un DDR reduce el riesgo de descarga eléctrica.

#### 3. Seguridad personal

- a. **Esté atento a lo que hace y emplee la herramienta eléctrica con prudencia. No maneje una herramienta eléctrica cuando esté cansado o bajo los efectos de drogas, medicamentos o alcohol.** Un momento de falta de atención cuando se manejan las herramientas eléctricas puede ocasionar lesiones personales graves.
- b. **Utilice un equipo de protección individual. Utilice siempre protección ocular.** La utilización de equipo protector, como mascarillas antipolvo, calzado antideslizante, casco o protección auditiva, utilizado en condiciones apropiadas, reduce las lesiones corporales.
- c. **Impida que la herramienta se ponga en marcha involuntariamente. Asegúrese de que el interruptor esté en posición de apagado antes de conectar la fuente de alimentación y/o la batería o de levantar o transportar la herramienta.** Transportar herramientas eléctricas con el dedo puesto en el interruptor o herramientas eléctricas activadoras que tengan el interruptor encendido puede provocar accidentes.
- d. **Extraiga cualquier llave de ajuste o llave inglesa antes de encender la herramienta eléctrica.** Dejar una llave inglesa u otra llave puesta en una pieza en movimiento de la herramienta eléctrica puede ocasionar lesiones personales.
- e. **No se estire para llegar a un punto. Mantenga un equilibrio adecuado y la estabilidad constantemente.** Esto permite un mejor control de la herramienta eléctrica en situaciones inesperadas.
- f. **Utilice la vestimenta adecuada. No lleve ropa suelta ni joyas. Mantenga el cabello, la ropa y los guantes alejados de las piezas en movimiento.**

La ropa suelta, las joyas y el pelo largo pueden quedar atrapados en las piezas móviles.

- g. Si se suministran dispositivos para la conexión del equipo de extracción y recogida de polvo, asegúrese de que estén conectados y úselos correctamente.** El uso de equipo de recogida de polvo puede reducir los riesgos relacionados con el polvo.
  - h. Evite que la familiaridad adquirida con el uso frecuente de las herramientas le haga fiarse demasiado e ignorar las normas de seguridad de las herramientas.** Un descuido puede causar lesiones graves en una fracción de segundo.
- 4. Uso y cuidado de la herramienta eléctrica**
    - a. No fuerce la herramienta eléctrica. Use la herramienta eléctrica correcta para su trabajo.** La herramienta eléctrica correcta funcionará mejor y con más seguridad si se utiliza a la velocidad para la cual ha sido diseñada.
    - b. No utilice la herramienta eléctrica si no la puede encender y apagar con el interruptor.** Cualquier herramienta eléctrica que no pueda controlarse con el interruptor es peligrosa y debe ser reparada.
    - c. Desconecte el enchufe de la herramienta eléctrica de la fuente de alimentación y/o la batería antes de realizar cualquier ajuste, cambiar accesorios o guardar la herramienta.** Estas medidas de seguridad preventivas reducen el riesgo de poner en marcha la herramienta eléctrica accidentalmente.
    - d. Guarde las herramientas eléctricas fuera del alcance de los niños y no permita que la utilicen las personas no familiarizadas con su uso o con estas instrucciones.** Las herramientas eléctricas son peligrosas en manos de personas no capacitadas.
    - e. Realice el mantenimiento de sus herramientas eléctricas. Compruebe que las piezas móviles no estén desalineadas ni atascadas, que no haya piezas rotas y cualquier otra condición que pudiera afectar al funcionamiento de la herramienta eléctrica. Si la herramienta eléctrica está dañada, hágala reparar antes de utilizarla.** Muchos accidentes se producen por el mantenimiento deficiente de las herramientas eléctricas.
    - f. Mantenga las herramientas afiladas y limpias.** Hay menos probabilidades de que las herramientas de corte con filo se bloqueen, y son más fáciles de controlar.
    - g. Utilice la herramienta eléctrica, los accesorios, los útiles de la herramienta, etc. de acuerdo con estas instrucciones, y tenga en cuenta las condiciones de trabajo y la tarea que vaya a realizar.** El uso de la herramienta eléctrica para operaciones que no sean las previstas puede ocasionar una situación peligrosa.
    - h. Mantenga las empuñaduras y superficies de agarre secas, limpias y libres de aceite y grasa.**

**Las empuñaduras resbaladizas y las superficies engrasadas impiden aferrar y controlar la herramienta en situaciones imprevistas.**

- 5. Uso y cuidado de la herramienta de batería**
  - a. Recargue la herramienta usando solo el cargador indicado por el fabricante.** Un cargador adecuado para un tipo de batería puede provocar riesgos de incendios al ser utilizado con otra batería.
  - b. Utilice las herramientas eléctricas solo con las baterías especialmente diseñadas.** El uso de otras baterías puede suponer un riesgo de incendio y lesiones.
  - c. Cuando no utilice la batería, manténgala alejada de objetos de metal como clips para papel, monedas, llaves, clavos, tornillos y otros pequeños objetos metálicos que pueden realizar una conexión de un terminal a otro.** Si se produce un cortocircuito entre los terminales de la batería, pueden ocasionarse incendios o quemaduras.
  - d. En caso de uso abusivo puede salir líquido de la batería, evite el contacto. Si se produce un contacto accidental, aclare con agua. Si el líquido entra en contacto con los ojos, consulte a un médico.** El líquido expulsado de la batería puede provocar irritaciones o quemaduras.
  - e. No utilice baterías o herramientas dañadas o modificadas.** Las baterías dañadas o modificadas pueden tener reacciones imprevistas y causar incendios, explosión o riesgo de lesiones.
  - f. No exponga la batería ni la herramienta al fuego o a temperaturas excesivas.** La exposición al fuego o a una temperatura superior a 130 °C puede provocar una explosión. **NOTA:** La temperatura "130 °C" puede sustituirse por la temperatura "265 °F".
  - g. Siga todas las instrucciones de carga y no cargue la batería o la herramienta fuera del rango de temperatura indicado en las instrucciones.** La carga incorrecta o a temperaturas fuera del intervalo especificado puede dañar la batería y aumentar el riesgo de incendio.
- 6. Asistencia técnica**
  - a. Esta herramienta eléctrica puede ser reparada solo por personal técnico autorizado que emplee únicamente piezas de repuesto originales.** Así se asegura el mantenimiento de la seguridad de la herramienta eléctrica.
  - b. No repare nunca las baterías dañadas.** La reparación de BATERIAS debe ser realizada únicamente por el fabricante o los proveedores de servicios autorizados (solo para herramientas a baterías).

## Advertencias de seguridad generales para motosierras



**¡Advertencia!** Advertencias de seguridad adicionales para motosierras

- ◆ **Mantenga todas las partes del cuerpo alejadas de la cadena cuando la motosierra esté funcionando. Antes de encender la motosierra, compruebe que la cadena de la sierra no esté en contacto con ningún objeto.** Un momento de distracción durante la utilización de la motosierra puede hacer que su ropa o alguna parte de su cuerpo queden atrapados en la motosierra.
- ◆ **Sujete siempre la motosierra teniendo la mano derecha en la empuñadura trasera, y la mano izquierda en la delantera.** Nunca sujete la motosierra poniendo las manos al contrario, pues aumenta el riesgo de que se produzcan lesiones personales.
- ◆ **Sujete la motosierra únicamente por la superficie de agarre aislada ya que la cadena de la sierra puede entrar en contacto con cables ocultos.** Si las cadenas de la sierra entran en contacto con un cable bajo tensión, las piezas metálicas expuestas de la herramienta eléctrica podrían cargarse y producir una descarga eléctrica al usuario.
- ◆ **Use siempre protección ocular. Se recomienda también el uso de equipos de protección para oídos, cabeza, manos, piernas y pies.** El uso de ropa de protección adecuada reduce las lesiones personales causadas por residuos volantes o el contacto accidental con la cadena de la sierra.
- ◆ **No utilice la motosierra mientras se encuentre sobre un árbol, una escalera u otra superficie inestable.** Si usa la motosierra de este modo pueden producirse lesiones personales graves.
- ◆ **Mantenga siempre un apoyo firme en el suelo y utilice la motosierra solo cuando se encuentre sobre una superficie fija, segura y nivelada.** Las superficies resbaladizas o inestables, como, por ejemplo, las escaleras, pueden provocar la pérdida de equilibrio o del control de la motosierra.
- ◆ **Cuando corte una rama sometida a tensión, tenga cuidado con la fuerza de contragolpe.** Cuando se libera la tensión de las fibras de madera, la rama cargada a modo de resorte podría golpear al operador y/o arrojar la motosierra fuera de su alcance.
- ◆ **Tenga sumo cuidado cuando corte matorrales o árboles jóvenes.** El material más delgado puede engancharse en la cadena de la sierra y darle un latigazo o desequilibrarle.
- ◆ **Transporte la motosierra sostenida por la empuñadura delantera, apagada y alejada del cuerpo.**

**Para transportar o guardar la motosierra, colóquela siempre la tapa de la barra guía.** Una manipulación adecuada de la motosierra reduce las posibilidades de que se produzca un contacto accidental con la cadena móvil de la motosierra.

- ◆ **Siga las instrucciones para lubricar, tensar la cadena y cambiar los accesorios.** Si la cadena está incorrectamente tensada o lubricada puede romperse o aumentar el riesgo de que se produzca un contragolpe.
- ◆ **Corte únicamente madera. No utilice la motosierra para finalidades diferentes a las previstas. Por ejemplo, no utilice la motosierra para cortar plástico, mampostería o materiales de construcción que no sean de madera.** El uso de la motosierra para trabajos diferentes de aquellos para los que ha sido concebida puede resultar peligroso.
- ◆ **No intente talar un árbol hasta que conozca los riesgos y cómo evitarlos.** El operador o las personas que se encuentren en el lugar pueden sufrir lesiones graves durante la tala de un árbol.
- ◆ **Siga todas las instrucciones cuando retire el material atascado, guarde la motosierra o efectúe el mantenimiento. Compruebe que el interruptor esté apagado y haber sacado la batería.** La activación inesperada de la motosierra mientras se quita el material atascado o se realiza el mantenimiento puede provocar lesiones corporales graves.

## Advertencias de seguridad adicionales para herramientas eléctricas



**¡Advertencia!** Advertencias de seguridad adicionales para motosierras compactas.

En este manual de instrucciones se describe el uso previsto. No utilice esta herramienta para fines no previstos; por ejemplo, no la utilice para talar árboles. El uso de accesorios o acoplamientos o la realización de cualquier operación con esta herramienta que sean distintos de los recomendados en este manual de instrucciones puede dar lugar a lesiones personales.

- ◆ **Utilice prendas ajustadas y de protección incluido un casco de seguridad con visera o gafas de seguridad, protectores para los oídos, calzado de seguridad antideslizante, pantalones de peto protectores y guantes de piel resistentes.**
- ◆ **Colóquese siempre en una posición alejada de las ramas que caen.**
- ◆ **La distancia segura entre una rama que se va a talar y las personas, edificios y otros objetos es como mínimo dos veces y media la longitud de la rama.** Cualquier persona, edificio u objeto que se encuentre a una distancia menor corre el riesgo de resultar golpeado por la rama al caer.

- ◆ **Tenga preparado un plan de escape de la caída de ramas.** Compruebe que no haya obstáculos en la ruta de salida que puedan impedir o dificultar sus movimientos. Recuerde que la hierba mojada y las cortezas recién cortadas son resbaladizas.
- ◆ **Asegúrese de que haya otra persona cerca (pero a una distancia segura) en caso de accidente.**
- ◆ **No utilice la herramienta mientras se encuentre subido en un árbol, en una escalera u otra superficie inestable.**
- ◆ **Mantenga un equilibrio adecuado y la estabilidad constantemente.**
- ◆ **Sujete la herramienta firmemente con las dos manos mientras el motor esté en marcha.**
- ◆ **No permita que la cadena en movimiento entre en contacto con ningún objeto en la punta de la barra guía.**
- ◆ **Empiece a cortar únicamente mientras la cadena gire a plena velocidad.**
- ◆ **No intente introducir la herramienta en un corte anterior.** Realice siempre un nuevo corte.
- ◆ **Permanezca atento a las ramas movедizas y a otras fuerzas que pudieran cerrar un corte o caer sobre la cadena.**
- ◆ **No intente cortar una rama cuyo diámetro exceda la longitud de corte de la herramienta.**
- ◆ **Extraiga siempre la batería de la herramienta y colóque del conjunto de la tapa de la cadena cuando la almacene o la transporte.**
- ◆ **Mantenga la cadena de la sierra afilada y correctamente tensada.** Compruebe la tensión de la cadena periódicamente.
- ◆ **Apague la herramienta, deje que la cadena se detenga y retire la batería del aparato antes de llevar a cabo cualquier ajuste, reparación u operación de mantenimiento.**
- ◆ **Utilice únicamente piezas de repuesto y accesorios originales.**
- ◆ **Mantenga las asas secas, limpias y libres de aceite y grasa.** Las asas con grasa o aceite son resbaladizas y pueden provocar la pérdida de control.
- ◆ **El amortiguador de púas puede afilarse durante la vida útil del producto.** Manipúlelo con cuidado.
- ◆ **Al manipular el producto, es posible que se caliente la barra de la cadena.** Manipúlelo con cuidado.

Es posible que, si se pellizca la cadena de la sierra a lo largo de la parte superior de la barra guía, esta retroceda rápidamente hacia el usuario. Cualquiera de estas reacciones puede provocar la pérdida del control de la motosierra y ocasionar lesiones personales graves. No confíe únicamente en los dispositivos de seguridad incorporados en la motosierra. Como usuario de la motosierra, debe tomar precauciones para evitar accidentes durante el uso de la herramienta. El retroceso se debe a la utilización inadecuada y/o procedimientos o condiciones de trabajo incorrectos y puede evitarse tomando las precauciones que se detallan a continuación.

- ◆ **Sujete firmemente el mango rodeándolo con los dedos. Con las dos manos en la motosierra, coloque el cuerpo y el brazo de modo que puedan soportar los contragolpes.** Si se toman las precauciones adecuadas, el operador puede controlar los contragolpes. No desatienda la motosierra.
- ◆ **No se extralimite y no realice cortes a una altura superior al hombro.** De este modo, evitará el contacto accidental con la punta y ayudará a controlar mejor la motosierra en situaciones inesperadas.
- ◆ **Utilice únicamente barras guía y cadenas de repuesto especificadas por el fabricante.** Las barras guía y cadenas de repuesto colocadas de forma incorrecta pueden provocar la ruptura o retrocesos de la cadena.
- ◆ **Siga las instrucciones del fabricante acerca del afilado y mantenimiento de la cadena de la sierra.** La disminución de la altura del calibre de profundidad puede causar el aumento de los contragolpes.

### Recomendaciones de seguridad

- ◆ Recomendamos encarecidamente que los usuarios principiantes obtengan de otro usuario con más experiencia instrucciones prácticas del uso de la motosierra y del equipo de protección. La práctica inicial debe completarse con el aserrado de troncos sobre un soporte o un caballete de aserrar.
- ◆ Recomendamos que, antes de transportar la motosierra, extraiga la batería y compruebe que la cadena de la sierra esté orientada hacia atrás.
- ◆ Realice el mantenimiento de la motosierra cuando no la utilice. Cuando guarde la motosierra y no la vaya a utilizar durante un determinado tiempo, desmonte primero la cadena de la sierra y la barra guía, que deberá conservar sumergidas en aceite. Guarde todas las piezas de la motosierra en un lugar seco y seguro, fuera del alcance de los niños.
- ◆ Le recomendamos purgar el depósito de aceite antes de guardar la herramienta.

### Causas y prevención de contragolpes al operador

Es posible que se produzca un contragolpe cuando la boca o la punta de la barra guía toca un objeto, o cuando la madera se cierra y pellizca la cadena de la sierra durante el corte. En algunos casos el contacto con la punta puede provocar una reacción invertida y repentina, levantando y bajando la barra guía hacia el usuario.



- ◆ Asegúrese de tener los pies firmemente asentados y prepare un plan de salida segura para la caída de árboles o ramas.
- ◆ Use cuñas para ayudar a controlar la tala y evitar que la cadena y la barra guía queden bloqueadas en la madera.
- ◆ Cuidado de la cadena de la sierra. Mantenga la cadena de la sierra afilada y bien encajada en la barra guía. Asegúrese de que la cadena de la sierra y la barra guía estén limpias y bien lubricadas. Mantenga las empuñaduras secas, limpias y libres de aceite y grasa.

#### El contragolpe puede ser debido a:

- ◆ Golpear accidentalmente ramas u otros objetos con la punta de la motosierra mientras la cadena de la sierra está en movimiento.
- ◆ Golpear metales, cemento u otros materiales duros que estén cerca de la madera o enterrados en la misma.
- ◆ Cadena floja o suelta.
- ◆ Corte por encima de la altura del hombro.
- ◆ Falta de atención al sujetar o guiar la motosierra mientras se está cortando.
- ◆ No se estire demasiado. Mantenga en todo momento un apoyo firme sobre el suelo y el equilibrio y no se estire demasiado.
- ◆ No inserte la motosierra en un corte anterior. Podría provocar un retroceso. Realice un nuevo corte cada vez.
- ◆ Recomendamos encarecidamente no utilizar la motosierra mientras se encuentre sobre un árbol, una escalera o cualquier otra superficie inestable. Si decidiera hacerlo, queda advertido que estas posiciones son extremadamente peligrosas.
- ◆ Cuando corte una rama que esté en tensión, esté atento a la fuerza de retroceso para que no le golpee cuando se libere la tensión.

#### Evite cortar:

- ◆ Madera preparada.
- ◆ Dentro del suelo.
- ◆ En alambradas, clavos, etc.
- ◆ Matorrales de poco tamaño y árboles jóvenes ya que el material más ligero puede quedar atrapado en la cadena de la sierra y golpearle en forma de látigo o desequilibrarle.
- ◆ No use la motosierra a una altura por encima del hombro.
- ◆ Asegúrese de que haya otra persona cerca (pero a una distancia segura) en caso de accidente.
- ◆ Si por alguna razón tiene que tocar la cadena, asegúrese de que la motosierra esté desconectada de la corriente y haber sacado la batería.
- ◆ El ruido de este producto puede superar 80 dB(A). Le recomendamos, por tanto, que tome las medidas adecuadas para protegerse los oídos.

#### Riesgos residuales.

El uso de esta herramienta puede producir riesgos residuales adicionales no incluidos en las advertencias de seguridad adjuntas. Estos riesgos se pueden generar por un uso incorrecto, demasiado prolongado, etc.

El cumplimiento de las normas de seguridad correspondientes y el uso de dispositivos de seguridad no evitan ciertos riesgos residuales. Dichos riesgos incluyen:

- ◆ Lesiones producidas por el contacto con piezas móviles o giratorias.
- ◆ Lesiones producidas al cambiar cualquier pieza, hoja o accesorio.
- ◆ Lesiones producidas al usar una herramienta por un tiempo demasiado prolongado. Si utiliza una herramienta durante períodos de tiempo demasiado prolongados, asegúrese de realizar pausas con frecuencia.
- ◆ Deterioro auditivo.
- ◆ Daños a la salud provocados por la respiración del polvo generado al utilizar la herramienta (por ejemplo, al trabajar con madera, especialmente haya, roble y MDF).

#### Ruido y vibración

Los valores de emisión de vibraciones y los valores de emisión de ruidos declarados y expuestos en el apartado de datos técnicos y en la declaración de conformidad han sido calculados según un método de prueba estándar proporcionado en la norma EN 62841 que puede utilizarse para comparar herramientas entre sí. El valor de emisión de vibraciones y los valores de emisión de ruidos declarados también pueden utilizarse para una evaluación preliminar de la exposición.

**¡Advertencia!** El valor de emisión de vibraciones y ruido durante el funcionamiento real de la herramienta eléctrica puede diferir del valor declarado en función de cómo se utilice la herramienta. El nivel de las vibraciones puede aumentar por encima del nivel declarado.

Al evaluar la exposición a las vibraciones con el fin de determinar las medidas de seguridad que exige la directiva 2002/44/CE para proteger a las personas que utilizan periódicamente herramientas eléctricas en el entorno laboral, deberá tenerse en cuenta una estimación de la exposición a las vibraciones, las condiciones de uso reales y el modo de empleo de la herramienta, así como los pasos del ciclo operativo como, por ejemplo, el número de veces que la herramienta se apaga, el tiempo que está parada y el tiempo de activación.

#### Etiquetas en la herramienta

Junto con el código de la fecha, en la herramienta aparecen los siguientes pictogramas:



**¡Advertencia!** Para reducir el riesgo de lesiones, el usuario debe leer el manual de instrucciones.



No use la motosierra en lugares húmedos ni la esponja a la lluvia.



Utilice siempre protección para la cabeza, los oídos y los ojos.



Utilice siempre una mascarilla antipolvo



Póngase siempre guantes.



Utilice siempre calzado de seguridad antideslizante.



Sostenga siempre bien la motosierra con ambas manos.



Preste atención al contragolpe de la motosierra y evite el contacto con la punta de la barra de la cadena.



No utilice la motosierra con una sola mano.



Apague la herramienta. Antes de realizar alguna operación de mantenimiento en la herramienta, extraiga la batería.



Tenga cuidado con los objetos que caigan. Mantenga alejadas a otras personas



A fin de garantizar un funcionamiento seguro continuo, compruebe la tensión de la cadena siguiendo el procedimiento que se describe en este manual cada 10 minutos de uso y ajústela según sea necesario para que disponga de un huelgo de 3 mm. Lubrique la cadena después de cada 10 minutos de uso.



**¡Advertencia!** No toque la cadena en el punto de eyección de las astillas



Dirección de rotación de la cadena.



Para garantizar un funcionamiento seguro continuo, la cadena y la barra guía deberán ser sustituidas solo con la cadena de repuesto n.º A6158 y la barra guía de repuesto n.º 90619609 originales de STANLEY FATMAX.



Potencia sonora garantizada por la Directiva 2000/14/CE.

## Instrucciones de seguridad adicionales para baterías y cargadores

### Baterías

- ◆ Jamás trate de abrirla por ninguna razón.
- ◆ No exponga la batería al agua.
- ◆ No exponga la batería al calor.
- ◆ No las almacene en lugares en los que la temperatura pueda superar los 40 °C.
- ◆ Realice la carga únicamente a una temperatura ambiente de entre 10 °C y 40 °C.
- ◆ Utilice únicamente el cargador suministrado con el aparato o la herramienta para realizar la carga. La utilización de un cargador incorrecto puede producir una descarga eléctrica o el recalentamiento de la batería.
- ◆ Cuando vaya a desechar la batería, siga las instrucciones facilitadas en la sección "Protección del medioambiente".
- ◆ No dañe ni deforme la batería mediante perforaciones o golpes, ya que puede suponer un riesgo de incendio y de lesiones.
- ◆ No cargue baterías dañadas.

**Es posible que se produzcan fugas en las baterías en condiciones extremas. Si nota que se producen fugas en las baterías, limpie el líquido con cuidado usando un paño.** Evite el contacto con la piel.

En caso de que se produzca contacto con la piel o los ojos, siga las instrucciones que se indican a continuación.

**¡Advertencia! El líquido de la batería puede provocar lesiones o daños materiales.** En caso de contacto con la piel, lave la zona afectada con agua inmediatamente. Si se produce enrojecimiento, dolor o irritación, solicite atención médica. En caso de contacto con los ojos, lave la zona inmediatamente con agua limpia y solicite atención médica.

### Cargadores

**¡Advertencia! El cargador ha sido diseñado para un voltaje específico.** Compruebe siempre que la tensión de red corresponda a la indicada en la placa de características.

**¡Advertencia!** No intente sustituir el cargador por un enchufe convencional para la red eléctrica.

- ◆ Utilice el cargador STANLEY FATMAX para cargar únicamente la batería del aparato/herramienta con la que fue suministrado. Otras baterías podrían explotar y provocar lesiones y daños materiales.
- ◆ Nunca intente cargar baterías no recargables.
- ◆ Si se daña el cable de alimentación, deberá ser sustituido por el fabricante o por un centro de asistencia técnica autorizado de STANLEY FATMAX, para evitar riesgos.
- ◆ No exponga el cargador al agua.
- ◆ No abra el cargador.
- ◆ No aplique ningún dispositivo para medir la resistencia del cargador.
- ◆ El cargador debe colocarse en una zona bien ventilada durante la carga.

### Etiquetas del cargador

En el cargador constan los siguientes símbolos:



El cargador ha sido concebido para utilizarse únicamente en un lugar interior.



Lea el manual de instrucciones antes de usar el producto.

### Seguridad eléctrica



El cargador presenta un aislamiento doble; por lo tanto, no requiere conexión a tierra. Compruebe siempre que la tensión de red corresponda a la indicada en la placa de características. No intente sustituir el cargador por un enchufe convencional para la red eléctrica.

- ◆ Si se daña el cable de alimentación, debe ser sustituido por el fabricante o por un centro de asistencia técnica autorizado de STANLEY FATMAX para evitar peligros.

### Características

1. Interruptor de encendido/apagado
2. Palanca de bloqueo
3. Freno de la cadena / protector delantero de la mano
4. Barra guía
5. Cadena de la sierra
6. Tapa del piñón
7. Tuerca de bloqueo de la barra
8. Tornillo de tensado de la cadena
9. Tapón del depósito de aceite
10. Indicador del nivel de aceite
11. Funda de la barra guía
12. Empuñadura trasera
13. Empuñadura frontal
14. Batería
15. Botón de liberación de la batería
16. Llave hexagonal

17. Almacenamiento de la llave hexagonal

### Montaje

**¡Advertencia!** Antes de proceder al montaje, extraiga la batería (14) de la herramienta.

### Carga de la batería (Fig. A)

Es necesario cargar la batería antes del primer uso y cada vez que note que no dispone de suficiente potencia para las tareas que antes realizaba con facilidad. Es posible que la batería se caliente durante la carga; esto es normal y no denota ningún problema.

**¡Advertencia!** No cargue la batería si la temperatura ambiente es inferior a 10 °C o superior a 40 °C. La temperatura de carga recomendada es de aproximadamente 24 °C.

**Nota:** El cargador no cargará la batería si la temperatura de esta es inferior a los 10 °C o superior a los 40 °C aproximadamente.

La batería debe dejarse en el cargador y el cargador comenzará a cargarla automáticamente cuando la temperatura de la celda aumente o disminuya.




- ◆ Para cargar la batería (14), introdúzcala en el cargador (18). La batería entrará en el cargador solo de una manera. No la fuerce. Asegúrese de que la batería queda perfectamente encajada en el cargador.
- ◆ Enchufe el cargador y conéctelo a la red eléctrica.

El indicador de carga (18a) parpadeará.

La carga habrá finalizado cuando el indicador de carga (18a) cambie a encendido fijo. Se pueden dejar el cargador y la batería conectados indefinidamente. Cuando, ocasionalmente, el cargador cargue la batería al máximo, se encenderá el indicador LED.

- ◆ Cargue las baterías descargadas en el plazo de 1 semana. La vida útil de la batería disminuirá considerablemente si ésta se almacena descargada.

### Modos del LED del cargador

	<b>Carga:</b> LED verde intermitente	
	<b>Totalmente cargada:</b> LED verde fijo	
	<b>Retardo por batería fría/caliente:</b> LED verde intermitente LED rojo fijo	

**Nota:** Los cargadores compatibles no cargan las baterías defectuosas. Si el cargador no se enciende, significa que la batería es defectuosa.

**Nota:** Esto también podría significar un problema con el cargador. Si el cargador indica un problema, lleve el cargador y la batería a un centro de reparación autorizado para que los prueben.

### Dejar la batería en el cargador

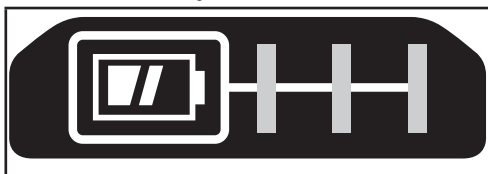
El cargador y la batería pueden permanecer conectados durante un periodo de tiempo indefinido con el indicador de LED iluminado. El cargador mantiene la batería a baja temperatura y completamente cargada.

### Demora por batería fría/caliente

Cuando el cargador detecta que la batería está demasiado caliente o demasiado fría, inicia automáticamente un retardo por batería fría/caliente, el LED verde (18a) parpadea en modo intermitente, y el LED rojo (18b) queda encendido continuamente, suspendiendo la carga hasta que la batería alcance la temperatura adecuada. El cargador cambiará automáticamente al modo de carga de batería. Esta característica asegura la máxima vida útil de la batería.

### Indicador del estado de carga de la batería (Fig. B)

La batería incluye un indicador de estado de carga para determinar rápidamente la duración de la batería, como se muestra en la figura B. Pulsando el botón de estado de carga (14a) puede ver fácilmente la carga que queda en la batería, como se muestra en la figura B.



### Colocación y extracción de la batería (Fig. L)

**¡Advertencia!** Compruebe que la herramienta/aparato esté apagado antes de colocar la batería.

**Nota:** Para obtener los mejores resultados, compruebe que la batería esté completamente cargada.

- ◆ Para colocar la batería (14) en la empuñadura de la herramienta, alinee la batería en las guías internas de la empuñadura de la herramienta, deslícela hasta que la quede firmemente colocada en la herramienta y compruebe que no se salga.
- ◆ Para extraer la batería de la herramienta, pulse el botón de liberación (15) y extraiga enérgicamente la batería de la empuñadura de la herramienta. Introdúzcala en el cargador como se indica en la sección del cargador del presente manual.

### Instalación de la barra guía y de la cadena de la sierra (Fig. D-H)

**¡Advertencia!** Cadena afilada. Utilice siempre guantes de protección cuando manipule la cadena. La cadena está afilada y puede causar cortes cuando no está en funcionamiento.

**¡Advertencia!** Cadena móvil afilada. Para evitar accidentes, compruebe haber sacado la batería de la herramienta antes de efectuar las siguientes operaciones. No hacerlo podría provocar graves lesiones personales.

Si la cadena de la sierra (5) y la barra guía (4) están embaladas por separado en la caja, hay que unir la cadena a la barra, y ambas al cuerpo de la herramienta.

- ◆ Coloque la cadena sobre una superficie plana y estable.
- ◆ Gire la contratuerca de la barra (7) en sentido antihorario con la llave hexagonal (16) suministrada.
- ◆ Saque la tapa del piñón (6) y las contratuercas de la barra (7).
- ◆ Usando guantes de protección, aferre la cadena de la sierra (5) y envuélvala alrededor de la barra guía (4), comprobando que los dientes estén orientados en la dirección correcta (Fig. H).
- ◆ Compruebe que la cadena esté colocada correctamente en la ranura alrededor de toda la barra guía.
- ◆ Coloque la cadena de la sierra alrededor del piñón (19). Mientras alinea la ranura de la barra guía con la clavija de tensado de la cadena (20) y el perno (21) de la base de la herramienta, como se muestra en la Figura E.
- ◆ Una vez que esté en su lugar, siga sosteniendo la barra y vuelva a colocar la tapa del piñón (6). Primero, instale la parte trasera del conjunto de la tapa del piñón, gírela hacia abajo y compruebe que el orificio del perno de la tapa quede alineado con el perno (21) del piñón de la carcasa principal.
- ◆ Coloque la contratuerca de la barra (7) y gírela en sentido horario con la llave (16) suministrada hasta quede ajustada, y después afloje la tuerca una vuelta completa, para tensar la cadena de la sierra correctamente.
- ◆ Gire el tornillo de tensado de la cadena (8) en sentido horario como se muestra en la Fig. D. Compruebe que la cadena de la sierra (5) quede ajustada alrededor de la barra guía (4). Apriete la tuerca de bloqueo de la barra (7) hasta que quede apretada.
- ◆ Siga las instrucciones del apartado Ajustar la tensión de la cadena.

### Ajuste de tensión de la cadena (Fig. D-H)

**¡Advertencia!** La tensión incorrecta de la cadena de la sierra puede hacer que la cadena de la sierra se salga de la barra guía y ocasionar lesiones graves o la muerte.

**Nota:** La tensión de la cadena de la sierra debe ajustarse sistemáticamente antes del uso.

- ◆ Con la motosierra inmóvil sobre una superficie plana y estable, compruebe la tensión de la cadena de la sierra (5). La tensión es correcta cuando la cadena de la sierra retrocede después de alejarla (3 mm) de la barra guía (4) ejerciendo poca fuerza con los dedos medio y pulgar, como se muestra en la Fig. F. No debería haber ninguna "flexión" entre la barra guía y la cadena de la sierra en la parte inferior, como se muestra en la Fig. G.
- ◆ Para ajustar la tensión de la cadena de la sierra, afloje las contratuercas de la barra (7).
- ◆ Gire el tornillo tensor de la cadena (8) de la parte delantera de la carcasa utilizando el extremo plano de la llave hexagonal (16).
- ◆ Compruebe la tensión de la cadena de la sierra, y ajústela si es necesario.
- ◆ No tense demasiado la cadena, ya que provocará un desgaste excesivo y se reducirá la vida útil de la barra guía y de la cadena de la sierra. El tensado excesivo también reduce el número de cortes obtenidos por carga de la batería.
- ◆ Una vez que la tensión de la cadena de la sierra sea correcta, apriete la contratuercas de la barra (7) hasta que quede bien apretada. Apriete la contratuercas de la barra (7) hasta 8 Nm.
- ◆ Las cadenas nuevas se estiran ligeramente durante las primeras horas de uso. Es importante comprobar la tensión con frecuencia (después de desconectar la batería extraírla) durante las 2 primeras horas de uso.

### Sustitución de la cadena de la sierra (Fig. D-H)

**¡Advertencia!** Cadena móvil afilada. Para evitar accidentes, compruebe haber sacado la batería de la herramienta antes de efectuar las siguientes operaciones. No hacerlo podría provocar graves lesiones personales.

**Precaución:** Cadena afilada. Utilice siempre guantes de protección cuando manipule la cadena. La cadena está afilada y puede causar cortes cuando no está en funcionamiento.

**Precaución:** La velocidad de la cadena de este producto es de 8.6 m/s. Utilice solo cadenas que tengan una clasificación superior a 8.6 m/s.

- ◆ Coloque la cadena sobre una superficie plana y estable.
- ◆ Extraiga la tapa del piñón (6) como se describe en la sección Instalación de la barra guía y la cadena de la sierra.
- ◆ Para sacar la cadena de la sierra (5), gire el tornillo tensor de la cadena (8) de la parte delantera de la carcasa utilizando el extremo plano de atornillar de la llave. Gire el tornillo en sentido antihorario para permitir el retroceso de la barra guía (4) y para reducir la tensión en la cadena, para poder sacarla.

- ◆ Con guantes protectores, agarre la cadena de la sierra y levante la cadena desgastada de la ranura de la barra guía.
- ◆ Voltee la barra guía cada vez que cambie la cadena para asegurar un desgaste uniforme.
- ◆ Coloque la nueva cadena en la ranura de la barra guía; comprobando que los dientes de la cadena de la sierra estén orientados en la dirección correcta, haciendo coincidir la flecha de la cadena con el gráfico de la tapa del piñón (6), como se muestra en la Fig. H.
- ◆ Siga las instrucciones de Instalación de la barra guía y la cadena de la sierra.

La cadena y la barra de repuesto están disponibles en su centro de servicios autorizado más próximo.

Esta motosierra requiere una cadena de repuesto de 304 mm. Barra de repuesto de 304 mm.

### Lubricación de la cadena de la sierra y la barra guía (Fig. I)

#### Sistema de lubricación automático

Esta motosierra tiene un sistema de lubricación automático que mantiene la cadena y la barra guía constantemente lubricadas.

El indicador de nivel del aceite (10) muestra el nivel del aceite de la cadena de la sierra. Si el nivel del aceite es inferior a un cuarto del total, extraiga la batería de la motosierra y llene el depósito de aceite con el tipo de aceite correcto.

Vacíe siempre el depósito de aceite cuando termine de cortar. Siempre vacíe el depósito de aceite antes de guardar esta unidad.

**Nota:** No utilice esta motosierra si no tiene aceite.

**Nota:** Use un aceite biodegradable de alta calidad para la barra y la cadena, para una correcta lubricación de la cadena de la sierra y la barra. Cuando pade árboles, le recomendamos que use aceite a base de vegetales para la barra y la cadena, pues los aceites a base de minerales pueden dañar los árboles vivos. Nunca use aceite sucio, usado o contaminado. Si lo hace, puede dañar la herramienta.

#### Llenado del depósito de aceite

- ◆ Desenrosque el tapón de aceite en sentido antihorario y sáquelo (9). Llene el depósito con el aceite recomendado para la cadena y la barra hasta que el nivel del aceite llegue a la parte superior del indicador de nivel del aceite (10).
- ◆ Vuelva a colocar el tapón de aceite y apriételo en sentido horario.
- ◆ Periódicamente, apague la motosierra y compruebe el nivel del aceite para asegurarse de que la barra y la cadena estén debidamente lubricadas.

Periódicamente, apague la motosierra y compruebe el nivel del aceite para asegurarse de que la barra y la cadena estén debidamente lubricadas.

### Transporte de la motosierra (Fig. J)

- ◆ Apague siempre la motosierra, retire la batería y cubra la barra guía (4) con la funda de la barra guía (11) cuando la transporte.

### Funcionamiento

**¡Advertencia!** Para disminuir el riesgo de lesiones personales graves, apague la herramienta y retire la batería antes de realizar ajustes o antes de quitar/colocar acoplamientos o accesorios. El encendido accidental puede causar lesiones.

### Posición correcta de las manos (Fig. K)

**¡Advertencia!** Para reducir el riesgo de lesiones corporales graves, mantenga siempre las manos en la posición correcta que se indica.

**¡Advertencia!** Para reducir el riesgo de lesiones personales graves, siempre sujete bien la herramienta para anticiparse a cualquier reacción repentina.

La posición correcta de las manos exige que la mano izquierda se coloque en la empuñadura delantera (13) y la mano derecha en la empuñadura trasera (12).

### Uso de la motosierra (Fig. K)

**¡Advertencia!** Lea y entienda todas las instrucciones. El incumplimiento de todas las instrucciones que se indican a continuación podría provocar una descarga eléctrica, un incendio y/o lesiones graves.

- ◆ Tenga cuidado de los contragolpes pues pueden causar lesiones graves o la muerte. Consulte Advertencias generales de seguridad para herramientas eléctricas, Advertencias generales de seguridad para motosierras, y Causas de los contragolpes y prevención por parte del operador y Características de seguridad contra los contragolpes, para evitar el riesgo de contragolpe.
- ◆ No se estire demasiado. No corte por encima de la altura del pecho. Apóyese en modo firme en el suelo. Mantenga los pies separados. Divida el peso del cuerpo entre ambos pies.
- ◆ Aferre bien la empuñadura delantera (13) con la mano izquierda, y la empuñadura trasera (12) con la mano derecha, de modo que su cuerpo quede a la izquierda de la barra (4) guía.
- ◆ No sujete la motosierra por el freno de la cadena/ el protector de mano delantero (3). Mantenga el codo del brazo izquierdo bloqueado, de modo que el brazo izquierdo quede recto para resistir un contragolpe.

**¡Advertencia!** Nunca aferre la motosierra cruzando las manos (mano izquierda en la empuñadura trasera y mano derecha en la empuñadura delantera).

**¡Advertencia!** Nunca permita que ninguna parte de su cuerpo quede alineada con la barra guía cuando utiliza la motosierra.

- ◆ Nunca utilice la herramienta si está subido a un árbol, en una posición incómoda o sobre una escalera o sobre cualquier otra superficie inestable. Puede perder el control de la motosierra causando lesiones graves.
- ◆ Mantenga la motosierra funcionando a la máxima velocidad mientras esté cortando.
- ◆ Deje que la motosierra corte para usted. Ejercite solamente una ligera presión. No ejercite presión sobre la motosierra al finalizar el corte.

**¡Advertencia!** Cuando no use la motosierra, siempre tenga activado el freno y extraiga la batería.

### Ajuste del freno de la cadena (Fig. K, L)

La motosierra está equipada con un sistema de frenado de la cadena que detiene la cadena velozmente en caso de contragolpe.

- ◆ Compruebe que el freno de la cadena/protector de mano delantero (3) esté en posición hacia delante.
- ◆ Inserte la batería (14) en la herramienta.
- ◆ Tire el freno de la cadena/protector de mano delantero (3) hacia la empuñadura delantera (13) en la posición "ajustada/lista", como se muestra en la Fig. L.
- ◆ Ahora la herramienta está lista para usar.
- ◆ Compruebe que el freno de la cadena/protector de mano delantero esté en posición hacia delante.
- ◆ Extraiga la batería.

**Nota:** En caso de contragolpe, su mano izquierda entrará en contacto con el protector delantero, empujándolo hacia adelante, hacia la pieza de trabajo. Esto parará la herramienta.

### Prueba del freno de la cadena (Fig. L)

Compruebe el freno de la cadena antes de cada uso para asegurarse de que funcione correctamente.

- ◆ Coloque la herramienta sobre una superficie plana y estable. Compruebe que la cadena de la sierra (5) esté apartada del suelo.
- ◆ Aferre bien la motosierra con ambas manos y enciéndala.
- ◆ Gire la mano izquierda hacia delante alrededor de la empuñadura delantera (13) de forma tal que el dorso de la mano toque el freno de la cadena/protector delantero de la mano (3) empujándolo hacia adelante, hacia la pieza de trabajo. La cadena de la sierra debería pararse inmediatamente.

**Nota:** Si la sierra no se para inmediatamente, deje de usarla y llévela al centro de servicio autorizado más próximo.

**¡Advertencia!** Compruebe el ajuste del freno de la cadena antes de cortar.

## Interruptor de encendido/apagado (Fig. M)

Asegúrese siempre de tener los pies firmes y un agarre seguro de la motosierra con ambas manos, con el pulgar y el resto de los dedos alrededor de ambas empuñaduras.

- ◆ Para el encender la unidad, apriete la palanca de bloqueo (2), como se muestra en la Fig. M, y apriete el interruptor del gatillo (1). Cuando la unidad está funcionando, puede soltar la palanca de bloqueo.
- ◆ Para mantener la unidad en funcionamiento tiene que seguir apretando el disparador. Para apagar la unidad, suelte el disparador.

## Afilado de la cadena de la sierra (Fig. N-P)

**Precaución:** Cadena afilada. Utilice siempre guantes de protección cuando manipule la cadena. La cadena está afilada y puede causar cortes cuando no está en funcionamiento.

**¡Advertencia!** Cadena móvil afilada. Para evitar accidentes, compruebe haber sacado la batería de la herramienta antes de efectuar las siguientes operaciones. No hacerlo podría provocar graves lesiones personales.

**Nota:** Las cuchillas se desafilan inmediatamente si tocan el suelo o un clavo durante el corte.

Para conseguir el máximo rendimiento de la motosierra, es importante mantener los dientes de la cadena de la sierra afilados. Siga estos consejos útiles para el correcto afilado de la cadena:

- ◆ Para obtener mejores resultados, use una lima de 4,5 mm y un soporte para la lima o guía de limar para afilar la cadena. Esto le garantiza que obtendrá los ángulos de afilado correctos.
- ◆ Coloque el soporte de la lima contra la placa superior y el calibrador de profundidad de la cuchilla.
- ◆ Mantenga la correcta línea de 30° del ángulo de limado de la placa superior (22) en su guía de limado paralela a la cadena (limar a 60° de la cadena visto desde el costado), como se muestra.
- ◆ Primero afile las cuchillas de un lado de la cadena. Lime cada cuchilla de la parte interior hacia la parte exterior. Después gire la sierra y repita los procesos (2, 3 y 4) con las cuchillas de la otra parte de la cadena.

**Nota:** Use una lima plana para limar la parte superior de los dientes raspadores (parte del eslabón de la cadena delante de la cuchilla) de modo que queden aproximadamente (0,635 mm) debajo de las puntas de las cuchillas, como se muestra.

- ◆ Mantenga todas las longitudes de la cuchilla iguales, como se muestra en la Fig. O.
- ◆ Si la superficie de cromo de las placas superiores o laterales está dañada, vuelva a limar hasta eliminar los daños.

**Precaución:** Después de limar, la cuchilla queda afilada, tenga mucho cuidado durante este proceso.

**Nota:** Cada vez que afile la cadena, se pierden un poco las propiedades de contragolpe, por lo que hay que tener mucho cuidado. Se recomienda no afilar más de cuatro veces la cadena de la sierra.

## Almacenamiento de la llave hexagonal (Fig. Q)

Cuando no se utiliza la llave hexagonal (16), deben guardarse en el almacén de llaves hexagonales (17) situado debajo de la herramienta.

Tire de la llave hexagonal de la zona de almacenamiento de llaves hexagonales para extraerla.

Empuje la llave hexagonal en el área de almacenamiento de llaves hexagonales para guardarla.

## Sistema Stanley Track Wall (Fig. R, S)

**¡Advertencia!** Para disminuir el riesgo de lesiones personales graves, apague la herramienta y retire la batería antes de realizar ajustes o de poner o quitar acoplamientos o accesorios. El encendido accidental puede causar lesiones.

**¡Advertencia!** Para reducir el riesgo de lesiones personales graves, no utilice un gancho de colgar integrado Stanley Track Wall System ni un Stanley Track Wall System que estén dañados. Un gancho de colgar integrado Stanley Track Wall System o un Stanley Track Wall System dañados no soportarán el peso de la herramienta.

**¡Advertencia!** Para reducir el riesgo de daños personales graves, NO cuelgue la herramienta por encima de su cabeza ni suspenda objetos del gancho del cinturón. Cuelgue la herramienta solo con el Stanley Track Wall System Trackwall utilizando el gancho de colgar integrado.

**¡Advertencia!** El gancho de colgar integrado del Stanley Track Wall System ha sido diseñado para montar la herramienta en un riel del Stanley Track Wall System. No utilice el gancho de colgar integrado para montar la herramienta en ninguna otra superficie.

**¡Advertencia!** El gancho de colgar integrado Stanley Track Wall System no es un gancho de cinturón.

**¡Advertencia!** Al colgar objetos en un riel del Stanley Track Wall System Trackwall, espacie adecuadamente las herramientas para no superar los 35 kg por pie lineal.

**¡Advertencia!** Antes de utilizar la herramienta, compruebe que el gancho de colgar integrado del Stanley Track Wall System vuelve a su posición original.

**Importante:** Los accesorios del Stanley Track Wall System montan las herramientas compatibles de forma segura en el Stanley Track Wall System.

Apague la herramienta, retire la batería y los accesorios. Instale la funda de la barra guía (11) en la barra guía (4).

**Precaución:** Cualquier producto con dientes cortantes expuestos debe tenerlos cubiertos de forma segura si va a colocar en el Stanley Track Wall System Trackwall.

Monte el gancho de colgar integral (23) en el Stanley Track Wall System Trackwall como se muestra en la Fig. R, S. Hacer clic cuando se bloquea en su posición.

**Nota:** En su distribuidor local o centro de servicio autorizado puede adquirir los accesorios del Stanley Track Wall System para usar con su herramienta.

**Técnicas comunes de corte**

**Corta forestal (Fig. T, U)**

Proceso de cortar un árbol para derribarlo. No tala árboles cuando haya mucho viento.

**¡Advertencia!** La tala puede ocasionar lesiones. Debe ser efectuada por una persona capacitada.

Debe planificarse una vía de retirada, que debe despejarse según sea necesario antes de empezar los cortes. La vía de retirada debe extenderse hacia atrás y en forma diagonal a la parte posterior de la línea de caída esperada, como se muestra abajo.

- ◆ Antes de iniciar la tala, considere la inclinación natural del árbol, la ubicación de las ramas más grandes y la dirección del viento para determinar en qué dirección caerá el árbol. Dótese de cuñas (madera, plástico o aluminio) y de una maza de mano pesada. Elimine la suciedad, las piedras, las cortezas sueltas, los clavos, grapas y alambres de los árboles en que efectuará la tala.
- ◆ Corte de muescado - Haga una muesca de 1/3 del diámetro del árbol, perpendicular a la dirección de caída. Primero haga la muesca horizontal baja. Esto ayudará a evitar el pellizco de la cadena de la sierra o de la barra guía al hacer el segundo corte de muesca, como se muestra abajo.
- ◆ Corte trasero de tala - Haga el corte trasero de la tala por lo menos 51 mm más arriba que el corte de muescado horizontal. Mantenga el corte trasero de tala paralelo al corte de muesca horizontal. Haga el corte trasero de tala de modo que quede bastante madera para actuar de bisagra. La madera de bisagra evita que el árbol gire y caiga en la dirección errónea.  
No corte a través de la bisagra como se muestra abajo.
- ◆ Cuando el corte de tala se acerca a la bisagra, el árbol debería empezar a caerse. Si hay alguna posibilidad de que el árbol no caiga en la dirección deseada o que se balancee hacia atrás y bloquee la cadena de la sierra, deje de cortar antes de completar el corte de tala y use cuñas para abrir el corte y dejar caer el árbol a lo largo de la línea de corte deseada. Cuando el árbol empieza a caer, extraiga la motosierra del corte, pare el motor, baje la motosierra y use la vía de retirada planificada. Esté alerta a las ramas suspendidas y mantenga el equilibrio.

Cuando corte ramas, deje las ramas inferiores de mayor tamaño para mantener el tronco alejado del suelo. Quite las ramas pequeñas de un corte. Las ramas bajo tensión deberían cortarse desde la parte inferior de la rama hacia la parte superior, para evitar bloquear la motosierra, como se muestra en la Figura V. Corte las ramas en sentido contrario manteniendo el tallo del árbol entre usted y la sierra. Nunca realice cortes con la sierra entre las piernas ni se siente a horcajadas en la rama que va a cortar.

**Tronzado (Fig. W, X, Y, Z)**

**¡Advertencia!** A los usuarios que corten por primera vez se les recomienda que practiquen en un caballete de aserrar. Cortar un árbol talado o troncos en trozos. El modo en que deberá cortar, dependerá de la forma en que esté sujeto el tronco. Use un caballete de aserrar siempre que sea posible, como se muestra en la Fig. W.

- ◆ Inicie siempre el corte con la cadena de la sierra a máxima velocidad.
- ◆ Coloque el diente inferior de la motosierra detrás del área de corte inicial, como se muestra en la Figura W.
- ◆ Encienda la motosierra y gire la cadena y la barra hacia abajo en el árbol, usando el diente como bisagra.
- ◆ Una vez que la motosierra está en ángulo de 45°, vuelva a nivelarla y repita los pasos hasta realizar completamente el corte.
- ◆ Cuando el árbol está sostenido a lo largo de toda su longitud (Fig. X), haga un corte desde la parte superior (corte desde arriba), pero evite cortar la tierra pues esto desafilará velozmente la sierra.
- ◆ Cuando esté sostenido por un extremo (Fig. Y), corte 1/3 del diámetro desde la parte inferior (corte desde abajo). Después haga un corte final desde arriba hasta el primer corte, como se muestra en la Fig. Y.
- ◆ Cuando esté sostenido por ambos extremos (Fig. Z), corte 1/3 del diámetro desde la parte superior. Después haga un corte final cortando desde abajo los 2/3 inferiores hasta el primer corte, como se muestra en la Fig. Z.

**Resolución de problemas**

Problema	Posible causa	Posible solución
La herramienta no arranca	No se ha pulsado el botón de bloqueo.	Pulse el botón de bloqueo.
	La batería no está instalada	Instale la batería
	La batería no está cargada	Cargue la batería
	La batería no está instalada correctamente	Extraiga la batería y vuelva a instalarla

**Corte de ramas (Fig. V)**

Eliminación de las ramas de un árbol caído.



Problema	Posible causa	Posible solución
La cadena no se detiene en 2 segundos cuando se apaga la herramienta	La tensión de la cadena está demasiado floja	Compruebe la tensión de la cadena
La barra o cadena parece estar caliente/ emite humo	El depósito de aceite está vacío	Compruebe el nivel del depósito de aceite
	El orificio de aceite está bloqueado en la barra de la cadena	Limpe los orificios de aceite y la ranura alrededor del borde de la barra de la cadena.
	La tensión de la cadena está demasiado apretada	Compruebe la tensión de la cadena
	El piñón de la barra guía necesita engrase	Engrase el piñón de la barra guía
La motosierra no corta adecuadamente	La cadena está al revés	Compruebe o modifique la dirección de la cadena
		Afile la cadena
La motosierra no utiliza aceite	Hay restos en el depósito	Vacíe el depósito y coloque aceite nuevo
	El orificio de aceite del tapón está bloqueado	Elimine los restos del orificio
	Hay restos en la barra de la cadena	Elimine los restos y limpie la barra de la cadena
	Hay restos en la salida de aceite	Elimine los restos
La motosierra se detiene repentinamente durante el uso	La batería está agotada	Pulse el indicador de estado de la carga para comprobar la carga de la batería. Recargue la batería si es necesario.
	La batería está demasiado caliente	Deje que la batería se enfríe durante al menos 30 minutos antes de continuar o de cargarla.
	Protección de límite de corriente	Vuelva a arrancar la motosierra. Deje que la herramienta funcione a su ritmo. No la sobrecargue.

## Nivel de aceite

No permita que el nivel del depósito caiga por debajo de un cuarto del total.

## Cadena de la sierra y barra guía

- ◆ Después de algunas horas de uso y antes de guardar el aparato, quite la barra guía y la cadena de la sierra y límpielas a fondo.
- ◆ Asegúrese de que el protector esté limpio y de que no contenga restos.
- ◆ Engrase el piñón y la barra de la cadena a través de los orificios de lubricación. Esto garantiza una distribución uniforme del desgaste alrededor de los rieles de la barra guía.

## Afilado de la cadena de la sierra

Si desea conseguir el máximo rendimiento de la herramienta, es importante que mantenga los dientes de la motosierra afilados.

Las instrucciones de este procedimiento se encuentran en el paquete del afilador.

## Cambio de las cadenas desgastadas

Las tiendas minoristas y los talleres de servicio de STANLEY FATMAX disponen de las cadenas de motosierras de repuesto. Utilice siempre piezas de repuesto originales.

## Afilado de la cadena de la sierra

Los dientes de la cadena de la sierra se deterioran inmediatamente si tocan el suelo o golpean un clavo durante el corte.

## Tensión de la cadena de la sierra

Compruebe periódicamente la tensión de la cadena.

## ¿Qué debo hacer si la motosierra necesita una reparación?

La motosierra ha sido fabricada según los requisitos de seguridad pertinentes. Solo el personal cualificado puede llevar a cabo las reparaciones, utilizando piezas de repuesto originales; en caso contrario, podría ocasionarse un considerable peligro al usuario. Le recomendamos guardar este manual de usuario en un lugar seguro.

## Protección del medioambiente



Recogida selectiva. Los productos y las baterías marcadas con este símbolo no deben tirarse junto con los residuos domésticos normales.

Los productos y las baterías contienen materiales que pueden ser recuperados o reciclados, reduciendo así el uso de materias primas.

## Mantenimiento

El mantenimiento regular asegura una larga vida efectiva de la herramienta. Le recomendamos que realice periódicamente las siguientes comprobaciones.

¡Advertencia! Antes de realizar el mantenimiento de las herramientas eléctricas:

- ◆ Apague la herramienta y desconéctela de la toma de corriente.

Recicle los productos eléctricos y las baterías de acuerdo con la normativa local. Puede obtener más información en [www.2helpU.com](http://www.2helpU.com)

**Datos técnicos**

SFMCCS730		
Tensión	V <sub>cc</sub>	18
Longitud de la barra	mm	300
Velocidad de la cadena (sin carga)	m/s	6.7
Longitud máx. de corte	mm	250
Capacidad de aceite	ml	150
Peso	kg	2,51 (sin la cadena de la sierra, la barra guía, la tapa de la barra guía, el aceite ni la batería)

Cargador		SFMCB11	SFMCB12	SFMCB14
Voltaje de entrada	V <sub>ca</sub>	230	230	230
Voltaje de salida	V <sub>cc</sub>	18	18	18
Corriente	A	1.25	2	4

Batería		SFMCB201	SFMCB202	SFMCB204	SFMCB206
Tensión	V <sub>cc</sub>	18	18	18	18
Capacidad	Ah	1.5	2.0	4.0	6.0
Tipo		iones de litio	iones de litio	iones de litio	iones de litio

<b>Nivel de presión acústica de acuerdo con la norma EN 62841:</b>	
L <sub>PA</sub> (presión acústica) 87 dB (A), incertidumbre (K) 3 dB (A)	
L <sub>WA</sub> (potencia acústica) 99 dB (A), incertidumbre (K) 1,6 dB (A)	
<b>Valores totales de las vibraciones (suma de vectores teniendo en cuenta los tres ejes) de acuerdo con la norma EN 62841:</b>	
Valor de emisión de vibraciones (a <sub>v</sub> ) de 6,5 m/s <sup>2</sup> , incertidumbre (K) de 1,5 m/s <sup>2</sup>	

**Declaración de conformidad CE**  
DIRECTIVA DE MÁQUINAS



Motosierra compacta – SFMCCS730

STANLEY FATMAX declara que los productos descritos en "Datos técnicos" cumplen las siguientes normas: 2006/42/CE,

EN 62841-1:2015+A11:2022, EN 62841-4-1:2020, 2000/14/EC, Anexo V

LWA (nivel de potencia acústica medido) 99 dB(A), incertidumbre (K) = 1,6 dB (A),

LWA (potencia acústica garantizada) 101 dB(A)

Estos productos también cumplen las Directivas 2014/30/UE y 2011/65/UE.

Para más información, póngase en contacto con STANLEY FATMAX en la siguiente dirección o consulte la parte posterior del manual.

El abajo firmante es el responsable de la elaboración de la documentación técnica y expide la presente declaración en nombre y representación de STANLEY FATMAX.

*Patrick Diepenbach*

Patrick Diepenbach  
Director General, Benelux  
Stanley FatMax,  
Egide Walschaertsstraat 14-18  
2800 Mechelen, Bélgica  
28/06/2023

**Garantía**

STANLEY FATMAX confía en la calidad de sus productos y ofrece a los consumidores una garantía de 12 meses a partir de la fecha de compra. Esta garantía es adicional a sus derechos legales y no los menoscaba en modo alguno. La garantía es válida en los territorios de los Estados Miembros de la Unión Europea, el Área de Libre Comercio Europea y Reino Unido.

Para reclamar la garantía, deberá formular la reclamación de conformidad con las condiciones generales de STANLEY FATMAX, presentando el comprobante de compra al vendedor o al agente técnico autorizado. Puede obtener las condiciones de la garantía de 1 año de STANLEY FATMAX y la ubicación de su agente técnico autorizado más próximo en el sitio web [www.2helpU.com](http://www.2helpU.com) o poniéndose en contacto con su oficina local de STANLEY FATMAX en la dirección que se indica en este manual.

Visite nuestro sitio web [www.stanley.eu/3](http://www.stanley.eu/3) para registrar su nuevo producto STANLEY FATMAX y recibir noticias sobre nuevos productos y ofertas especiales.

## Utilização prevista

A motosserra compacta STANLEY FATMAX, SFMCCS730 foi concebida para tarefas ligeiras de corte e poda. Este equipamento destina-se a utilização profissional bem como a utilizadores privados não profissionais.

## Instruções de segurança

### Avisos de segurança gerais sobre ferramentas eléctricas



**Atenção! Leia todos os avisos de segurança, instruções, ilustrações e especificações fornecidos com esta ferramenta eléctrica.** O não cumprimento de todas as instruções indicadas abaixo pode resultar em choque eléctrico, incêndio e/ou ferimentos graves.

### Guarde todos os avisos e instruções para futura referência.

O termo "ferramenta eléctrica" utilizado a seguir refere-se a ferramentas eléctricas com ligação à corrente eléctrica (com cabo) ou com bateria (sem cabo).

#### 1. Segurança na área de trabalho

- a. **Mantenha a área de trabalho limpa e bem iluminada.** As áreas desorganizadas ou escuras são propensas a acidentes.
- b. **Não trabalhe com ferramentas eléctricas em locais com risco de explosão, nas quais se encontrem líquidos, gases ou pó inflamáveis.** As ferramentas eléctricas criam faíscas que podem inflamar estes pós ou vapores.
- c. **Mantenha as crianças e outras pessoas afastadas durante a utilização da ferramenta eléctrica.** As distrações podem causar perda de controlo.

#### 2. Segurança eléctrica

- a. **As fichas da ferramenta eléctrica devem encaixar na tomada. Nunca modifique a ficha de forma alguma. Não utilize fichas adaptadoras com ferramentas eléctricas ligadas à terra.** As fichas não modificadas e as tomadas compatíveis reduzem o risco de choque eléctrico.
- b. **Evite o contacto corporal com superfícies e equipamentos ligados à terra, como, por exemplo, tubagens, radiadores, fogões e frigoríficos.** Se o seu corpo estiver "ligado" à terra, o risco de choque eléctrico é maior.
- c. **As ferramentas eléctricas não podem ser expostas a chuva ou a humidade.** A entrada de água numa ferramenta eléctrica aumenta o risco de choque eléctrico.
- d. **Não aplique força excessiva no cabo. Nunca o utilize para transportar, puxar ou desligar a ferramenta eléctrica.**

**Mantenha o cabo afastado de fontes de calor, óleo, arestas afiadas ou peças móveis.** Os cabos danificados ou emaranhados aumentam o risco de choque eléctrico.

- e. **Quando trabalhar com uma ferramenta eléctrica ao ar livre, utilize uma extensão adequada para essa finalidade.** A utilização de um cabo adequado para uso ao ar livre reduz o risco de choque eléctrico.
  - f. **Se for inevitável trabalhar com uma ferramenta eléctrica num local húmido, utilize um dispositivo diferencial residual (DDR).** A utilização de um DDR reduz o risco de choque eléctrico.
- #### 3. Segurança pessoal
- a. **Esteja atento, preste atenção ao que está a fazer e tenha bom senso quando trabalhar com a ferramenta eléctrica. Não utilize uma ferramenta eléctrica quando estiver cansado ou sob o efeito de drogas, álcool ou medicamentos.** Um momento de distração durante a utilização de ferramentas eléctricas pode resultar em ferimentos graves.
  - b. **Utilize equipamento de protecção individual. Use sempre protecção ocular.** Se o equipamento de protecção, por exemplo, uma máscara de poeiras, sapatos de segurança antiderrapantes, capacete de segurança ou protecção auditiva, for utilizado em condições adequadas, isso reduz o risco de ferimentos.
  - c. **Evite arranques involuntários. O gatilho deve estar desligado antes de ligar a ferramenta à corrente eléctrica e/ou as baterias e antes de levantar ou transportar a ferramenta.** Se mantiver o dedo carregado no gatilho quando transportar ferramentas eléctricas ou se ligá-las à fonte de alimentação com o gatilho ligado, isso pode dar origem a acidentes.
  - d. **Retire qualquer chave de ajuste ou chave de porcas antes de ligar a ferramenta eléctrica.** Uma chave de fendas ou de ajuste fixada numa peça rotativa da ferramenta eléctrica pode causar ferimentos.
  - e. **Não se estique demasiado ao trabalhar com a ferramenta. Mantenha sempre os pés bem apoiados e um equilíbrio adequado.** Assim, é mais fácil controlar a ferramenta eléctrica em situações inesperadas.
  - f. **Use vestuário adequado. Não use roupa larga ou jóias. Mantenha o cabelo, a roupa e as luvas afastados das peças móveis.** As roupas largas, as jóias ou o cabelo comprido podem ficar presos nestas peças.
  - g. **Se estiver prevista a montagem de dispositivos de extracção e recolha de pó, assegure-se de que estão ligados e que são utilizados de forma correcta.** A utilização de dispositivos de extracção de pó pode reduzir os riscos relacionados com o pó.

- h. Não permita que o facto de estar familiarizado com a utilização frequente das ferramentas o torne complacente e ignore os princípios de segurança da ferramenta. Uma acção irreflectida pode causar ferimentos numa fracção de segundo.
4. Utilização e manutenção da ferramenta eléctrica
- a. Não utilize a ferramenta eléctrica de forma forçada. Utilize a ferramenta eléctrica correcta para o seu trabalho. A ferramenta eléctrica adequada efectua o trabalho de maneira mais eficiente e segura se for utilizada de acordo com a capacidade para a qual foi concebida.
- b. Não utilize a ferramenta eléctrica se não conseguir ligar ou desligar o gatilho. Qualquer ferramenta eléctrica que não possa ser controlada através do gatilho é perigosa e tem de ser reparada.
- c. Desligue a ficha da tomada e/ou a bateria da ferramenta eléctrica antes de proceder a ajustes, substituir acessórios ou guardar ferramentas eléctricas. Estas medidas de segurança preventivas reduzem o risco de ligar a ferramenta eléctrica acidentalmente.
- d. Guarde as ferramentas eléctricas que não estiverem a ser utilizadas fora do alcance de crianças e não permita que sejam utilizadas por pessoas não familiarizadas com as mesmas ou com estas instruções. As ferramentas eléctricas são perigosas se forem utilizadas por pessoas que não tenham as qualificações necessárias para manuseá-las.
- e. Proceda à manutenção das ferramentas eléctricas. Verifique se as partes móveis estão desalinhasadas ou bloqueadas, se existem peças partidas ou qualquer outra situação que possa afectar o funcionamento das ferramentas eléctricas. Se a ferramenta eléctrica estiver danificada, esta só deve ser utilizada depois de ser reparada. Muitos acidentes são causados por ferramentas eléctricas com uma manutenção insuficiente.
- f. Mantenha as ferramentas de corte sempre afiadas e limpas. As ferramentas de corte sujeitas a uma manutenção adequada, com arestas de corte afiadas, bloqueiam com menos frequência e são controladas mais facilmente.
- g. Utilize a ferramenta eléctrica, os acessórios e as peças de ferramenta, etc., de acordo com estas instruções, considerando as condições de trabalho e a tarefa a ser executada. A utilização da ferramenta eléctrica para fins diferentes dos previstos pode resultar em situações perigosas.
- h. Mantenha os punhos e as superfícies de fixação secos, limpos e sem qualquer óleo ou gordura.
- Se o punho estiver escorregadio e as superfícies do punho tiverem gordura, isso não permite um manuseamento e controlo seguros da ferramenta em situações inesperadas.
5. Utilização e cuidados a ter com a ferramenta com baterias
- a. Recarregue apenas com o carregador especificado pelo fabricante. Um carregador adequado para um tipo de bateria pode causar um incêndio se for utilizado com outra bateria.
- b. Utilize as ferramentas eléctricas apenas com as baterias concebidas especificamente para o efeito. A utilização de outras baterias pode dar origem a ferimentos e incêndio.
- c. Quando não utilizar as baterias, mantenha-as afastadas de outros objectos metálicos, como cliques para papel, moedas, chaves, pregos, parafusos ou outros pequenos objectos metálicos que permitam fazer a ligação de um terminal para outro. O curto-circuito dos terminais das baterias pode causar queimaduras ou incêndio.
- d. Em condições abusivas, pode derramar o líquido das baterias, devendo evitar o contacto. Se tocar acidentalmente no líquido, lave bem com água. Se o líquido entrar em contacto com os olhos, consulte um médico. O líquido derramado da bateria pode causar irritação ou queimaduras.
- e. Não utilize uma bateria ou ferramenta que esteja danificada ou modificada. As baterias danificadas ou modificadas podem ter um comportamento imprevisível, podendo causar incêndio, explosão ou risco de ferimentos.
- f. Não exponha a bateria ou a ferramenta a fogo ou temperatura excessiva. A exposição a fogo ou temperatura superior a 130 °C pode causar uma explosão. NOTA: A temperatura "130 °C" pode ser substituída pela temperatura "265 °F".
- g. Siga todas as instruções de carregamento. Não carregue a bateria ou a ferramenta fora da gama de temperaturas especificada nas instruções. O carregamento indevido ou a temperaturas fora da gama especificada podem causar danos na bateria e aumentar o risco de incêndio.
6. Assistência
- a. A ferramenta eléctrica deve ser reparada por pessoal qualificado e só devem ser colocadas peças sobresselentes idênticas. Desta forma, é garantida a segurança da ferramenta eléctrica.

- b. **Nunca repare baterias danificadas.** A reparação de pilhas danificadas só deve ser efectuada pelo fabricante ou por fornecedores de serviços autorizados (utilizado apenas para ferramentas a pilha).

## Avisos de segurança gerais relativos a motosserras



**Atenção!** Avisos de segurança adicionais para motosserras

- ◆ **Mantenha todas as partes do corpo afastadas da corrente da serra quando a motosserra estiver em funcionamento.** Antes de ligar a motosserra, certifique-se de que a corrente da serra não está em contacto com nada. Um momento de falta de atenção durante a utilização de uma motosserra pode fazer com que o seu vestuário ou corpo fiquem presos na ferramenta.
- ◆ **Segure sempre a motosserra com a mão direita no punho traseiro e a mão esquerda no punho dianteiro.** Segurar a motosserra com uma disposição invertida das mãos aumenta o risco de ferimentos e tal nunca deve ser efectuado.
- ◆ **Segure a motosserra apenas pelas áreas isoladas, porque a corrente da serra pode entrar em contacto com a cablagem escondida.** As correntes da serra em contacto com um cabo sob tensão podem fazer com que as peças metálicas expostas da motosserra fiquem energizadas e provoquem um choque eléctrico ao operador.
- ◆ **Use protecção ocular. É recomendada a utilização de equipamento de protecção adicional para orelhas, cabeça, mãos, pernas e pés.** Um equipamento de protecção adequado reduz os ferimentos causados por resíduos em movimento ou pelo contacto accidental com a corrente da serra.
- ◆ **Não utilize a motosserra quando estiver em cima de uma árvore, numa escada, em cima de um telhado ou em qualquer outra superfície instável.** A utilização de uma corrente de serra pode causar ferimentos graves.
- ◆ **Mantenha-se sempre bem posicionado e utilize a motosserra apenas quando se encontrar numa superfície fixa, segura e nivelada.** As superfícies escorregadias ou instáveis, como, por exemplo, escadas, podem causar uma perda do equilíbrio ou do controlo da motosserra.
- ◆ **Quando estiver a cortar uma pernada sob tensão, esteja atento à recuperação elástica.** Quando a tensão das fibras de madeira for libertada, o ramo sob tensão pode atingir o operador e/ou provocar o descontrolo da motosserra.

- ◆ **Tenha especial cuidado ao cortar galhos e casca de árvore.** O material fino e delgado pode tocar na corrente da serra e saltar na sua direcção ou fazer com que se desequilibre.
- ◆ **Transporte a motosserra pela pega dianteira com a motosserra desligada e afastada do seu corpo. Quando transportar ou armazenar a motosserra, coloque sempre a tampa da barra-guia.** Um manuseamento adequado da motosserra reduz a probabilidade de um contacto accidental com a corrente da serra em movimento.
- ◆ **Siga as instruções relativas à lubrificação, tensão da corrente e troca de acessórios.** Uma corrente tensionada ou lubrificada incorrectamente pode partir ou aumentar a probabilidade de recuo
- ◆ **Corte apenas madeira. Não utilize a motosserra para fins diferentes dos previstos. Por exemplo: não utilize a motosserra para cortar plástico, pedra ou materiais de construção que não sejam madeira.** A utilização da motosserra para outros fins que não os previstos pode resultar em situações perigosas.
- ◆ **Só deve cortar uma árvore depois de compreender os riscos e como evitá-los.** Quando cortar uma árvore, podem ocorrer ferimentos graves no operador ou em pessoas que estejam por perto.
- ◆ **Siga todas as instruções quando retirar material encravado, armazenar ou assistência da motosserra. Certifique-se de que desliga o interruptor e retira a bateria.** A utilização inesperada da motosserra quando retirar material encravado ou proceder à assistência pode resultar em ferimentos graves.

## Avisos de segurança adicionais sobre ferramentas eléctricas



**Atenção!** Avisos de segurança adicionais para motosserras compactas.

A utilização adequada é descrita neste manual de instruções. Não utilize a ferramenta para outros fins que não os indicados. Por exemplo, não utilize a ferramenta para cortar árvores. A utilização de qualquer acessório ou a execução de qualquer operação com este equipamento que não esteja incluída no presente manual de instruções pode representar um risco de ferimentos.

- ◆ **Utilize vestuário de protecção justo, incluindo capacete de segurança com viseira/óculos, protecção auditiva, calçado de segurança anti-derrapante, jardineira de protecção e luvas de couro resistente.**
- ◆ **Desvie-se sempre da trajectória de queda dos ramos.**
- ◆ **A distância de segurança entre um ramo a cortar e as pessoas presentes, edifícios e outros objectos deve ser, no mínimo, de 2 1/2 vezes o comprimento do ramo.**

Todas as pessoas presentes, edifícios ou objectos que se encontrem dentro desta distância correm o risco de serem atingidos pela queda do ramo.

- ◆ **Planeie antecipadamente uma saída de segurança para escapar a árvores ou ramos em queda.** Certifique-se de que o caminho de saída não tem quaisquer obstáculos que possam impedir ou dificultar o movimento. Lembre-se de que a relva molhada e as cascas de árvore cortadas recentemente podem ser escorregadias.
- ◆ **Certifique-se de que, em caso de acidente, existe alguém por perto (mas a uma distância de segurança).**
- ◆ **Não utilize a ferramenta enquanto estiver em cima de uma árvore, escada ou de qualquer outra superfície instável.**
- ◆ **Mantenha sempre os pés bem apoiados e um equilíbrio adequado.**
- ◆ **Pegue na ferramenta com firmeza e com ambas as mãos quando o motor estiver ligado.**
- ◆ **Não deixe a corrente em movimento entrar em contacto com nenhum outro objecto na ponta da barra-guia.**
- ◆ **Comece o corte apenas quando tiver a corrente a deslocar-se na velocidade máxima.**
- ◆ **Não tente introduzir a serra num corte anterior.** Faça sempre um novo corte.
- ◆ **Preste atenção ao movimento dos ramos ou de outras forças que possam fechar um corte e exercer pressão ou cair na corrente.**
- ◆ **Não tente cortar um ramo quando o diâmetro do ramo exceder o comprimento de corte da ferramenta.**
- ◆ **Retire sempre a bateria da ferramenta e coloque o conjunto da protecção da corrente sobre a corrente quando armazenar ou transportar a ferramenta.**
- ◆ **Mantenha a corrente da serra afiada e com a tensão correcta.** Verifique a tensão a intervalos frequentes.
- ◆ **Desligue a ferramenta, deixe que a corrente pare e retire a bateria da ferramenta antes de fazer qualquer ajuste ou operação de manutenção.**
- ◆ **Utilize apenas peças sobresselentes e acessórios originais.**
- ◆ **Mantenha os punhos secos, limpos e sem óleo ou gordura.** Os punhos com gorduras ou óleo são escorregadios, podendo provocar a perda de controlo.
- ◆ **O amortecedor afiado pode ficar mais afiado durante a vida útil do produto.** Manuseie com cuidado.
- ◆ **Quando manusear o produto, a corrente pode ficar quente; manuseie com cuidado.**

#### **Causas e prevenção por parte do utilizador do efeito de recuo**

O recuo pode ocorrer quando a frente ou ponta da barra-guia tocar num objecto ou quando um pedaço de madeira se fechar e emperrar a corrente da serra no corte.

O contacto com a ponta poderá, em alguns casos, causar uma súbita reacção inversa, empurrando a barra-guia para cima e para trás em direcção ao utilizador.

Prender a corrente da serra ao longo da parte superior da barra-guia pode empurrá-la rapidamente para trás na direcção ao utilizador.

Qualquer uma destas reacções pode fazer com que perca o controlo da motosserra o que pode causar ferimentos graves. Não dependa exclusivamente dos dispositivos de segurança integrados na sua motosserra. Como utilizador de uma motosserra, deve efectuar diversas medidas para manter os seus trabalhos de corte isentos de acidentes ou ferimentos. O recuo é o resultado de uma utilização errada da ferramenta e/ou de procedimentos ou condições de utilização incorrectos, podendo ser evitado com medidas de precauções apropriadas, conforme descrito em seguida:

- ◆ **Segure com firmeza o punho, com os polegares e os dedos à volta dos punhos da motosserra. Com ambas as mãos na motosserra, posicione o corpo e o braço de modo a permitir resistência às forças de um recuo.** As forças de recuo podem ser controladas pelo utilizador, se forem tomadas medidas de precaução adequadas. Não largue a motosserra.
- ◆ **Mantenha sempre o equilíbrio e não corte a uma altura superior à do seu ombro.** Isto ajuda a impedir um contacto involuntário da ponta e permite um melhor controlo da motosserra em situações inesperadas.
- ◆ **Utilize apenas barras-guia e correntes sobresselentes especificadas pelo fabricante.** Barras-guia e correntes sobresselentes incorrectas podem partir a corrente e/ou um recuo.
- ◆ **Respeite as instruções de afiação e manutenção do fabricante para a corrente da serra.** Diminuir a altura do indicador de profundidade pode originar um recuo maior.

#### **Recomendações de segurança para a motosserra**

- ◆ Recomendamos que os utilizadores principiantes obtenham instruções práticas sobre a utilização da motosserra e equipamento de protecção junto de um utilizador experiente. A prática inicial deve ser efectuada serrando um toro num cavalete ou andaime.
- ◆ Quando transportar a motosserra, recomendamos que remova a bateria e certifique-se de que a corrente da serra está virada para trás.
- ◆ Efectue a manutenção da sua motosserra quando não estiver em utilização. Não armazene a motosserra durante um determinado período de tempo sem antes remover a corrente e a barra-guia que devem ficar mergulhadas em óleo. Armazene todas as peças da motosserra num local seco, seguro e fora do alcance das crianças.
- ◆ Recomendamos que drene o depósito do óleo antes de armazenar.

- ◆ Tenha cuidado com os passos que dá e estabeleça uma saída de segurança de uma queda de árvore ou ramos.
- ◆ Utilize calços para ajudar a controlar o derrubamento e evitar o bloqueio da barra-guia e da corrente na madeira.
- ◆ Cuidados a ter com a corrente. Mantenha a corrente afiada e bem colocada na barra-guia. Certifique-se de que a corrente da serra e a barra-guia estão limpas e bem oleadas. Mantenha os punhos secos, limpos e sem qualquer óleo ou gordura.

#### Um recuo pode ser causado por:

- ◆ Bater em troncos ou outros objectos acidentalmente com a ponta da serra enquanto a correia estiver em movimento.
- ◆ Bater em metal, cimento ou outro material duro perto da madeira, ou furar a madeira.
- ◆ Uma correia desafiada ou solta.
- ◆ Cortar a uma altura superior à do seu ombro.
- ◆ Falta de atenção ao segurar ou orientar a motosserra durante o corte.
- ◆ Não tente chegar a pontos fora do alcance. Mantenha sempre o equilíbrio.
- ◆ Não tente inserir a serra num corte anterior. uma vez que pode causar recuo. Faça sempre um corte novo.
- ◆ Recomendamos que não tente trabalhar com a motosserra quando estiver em cima de uma árvore, escada ou superfície instável. Caso contrário, tenha em atenção que estas posições são extremamente perigosas.
- ◆ Quando cortar um tronco que esteja sob tensão, tenha cuidado porque pode fazer ricochete quando a tensão aliviar.

#### Evite cortar:

- ◆ Madeira preparada.
- ◆ O chão.
- ◆ Aroles metálicos, pregos, etc.
- ◆ Galhos de pequenas dimensões e casca de árvores, uma vez que o material fino e delgado pode tocar na corrente da serra e saltar na sua direcção ou fazer com que se desequilibre.
- ◆ Não utilize a ferramenta a uma altura superior à do seu ombro.
- ◆ Certifique-se de que, em caso de acidente, existe alguém por perto (mas a uma distância de segurança).
- ◆ Se, por qualquer motivo, tiver de tocar na corrente da serra, certifique-se de que a motosserra está desligada e que retirou a bateria.
- ◆ O ruído produzido por este produto pode ultrapassar os 80 dB(A). Recomendamos que tome as devidas medidas para proteger os ouvidos

#### Riscos residuais.

Podem surgir riscos residuais adicionais durante a utilização da ferramenta, que podem não constar nos avisos de segurança incluídos. Estes riscos podem resultar de má utilização, utilização prolongada, etc.

Mesmo que as regulamentações de segurança relevantes sejam cumpridas e os dispositivos de segurança sejam implementados, alguns riscos residuais não podem ser evitados. Estes incluem:

- ◆ Ferimentos causados quando toca nas peças rotativas/móveis.
- ◆ Ferimentos causados durante a troca de peças, lâminas ou acessórios.
- ◆ Ferimentos causados pela utilização prolongada de uma ferramenta. Se utilizar uma ferramenta durante períodos prolongados, certifique-se de que faz pausas com frequência.
- ◆ Danos auditivos.
- ◆ Os problemas de saúde causados pela inalação de poeiras resultantes da utilização da ferramenta (exemplo: trabalhos em madeira, especialmente carvalho, faia e MDF).

#### Ruído e vibração

Os valores de emissão de vibração declarados e o(s) valor(es) de emissão de ruído declarado(s) indicados na secção de dados técnicos e na declaração de conformidade foram medidos de acordo com o método de teste padrão fornecido pela EN 62841 e podem ser utilizados para comparar ferramentas. O valor de emissão de vibração declarado e o(s) valor(es) de emissão de ruído declarado(s) podem ser utilizados também numa avaliação preliminar da exposição.

**Atenção!** O valor da emissão de vibração e ruído durante a utilização real da ferramenta eléctrica pode ser diferente do valor declarado, dependendo da forma como a ferramenta é utilizada. O nível de vibração pode aumentar acima do nível indicado.

Quando avaliar a exposição a vibrações para determinar as medidas de segurança exigidas pela Directiva 2002/44/CE para proteger pessoas que utilizem com frequência ferramentas eléctricas na sua actividade profissional, deve ser considerada uma estimativa da exposição à vibração, as condições reais de utilização e o modo de utilização da ferramenta, incluindo ainda todas as partes do ciclo de funcionamento, como os períodos de inactividade e espera da ferramenta, além do tempo de funcionamento.

#### Etiquetas colocadas na ferramenta

A ferramenta apresenta os seguintes pictogramas de aviso em conjunto com o código de data:



**Atenção!** Para reduzir o risco de ferimentos, o utilizador deve ler o manual de instruções.



Não utilize a serra sob condições húmidas nem a exponha à chuva.



Utilize sempre protecções para a cabeça, ouvidos e olhos.



Utilize sempre uma máscara de poeiras



Utilize sempre luvas.



Utilize sempre calçado de segurança antiderrapante.



Segure sempre a motosserra firmemente com as duas mãos.



Preste atenção à força de recuo da motosserra e evite o contacto com a ponta da barra da corrente.



Não utilize a motosserra apenas com uma mão



Desligue a ferramenta. Antes de ser realizada qualquer operação de manutenção na ferramenta, retire a bateria da ferramenta.



Esteja atento à queda de objectos. Mantenha os transeuntes afastados



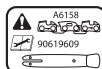
Para garantir um funcionamento sempre seguro, verifique a tensão da corrente a cada 10 minutos de utilização conforme descrito neste manual, ajustando-a conforme necessário para uma distância de 3 mm. Lubrifique a corrente a cada 10 minutos de utilização.



**Atenção!** Não toque na corrente no ponto de ejeção das aparas



Direcção de rotação da corrente.



Para garantir um funcionamento sempre seguro, a corrente e a barra-guia só podem ser substituídas por peças originais da STANLEY FATMAX. Número da peça sobresselente da corrente A6158, número da peça de substituição da barra-guia 90619609.



Potência sonora garantida pela directiva 2000/14/CE.

## Instruções de segurança adicionais para baterias e carregadores

### Baterias

- ◆ Nunca abra a bateria, seja qual for o motivo.
- ◆ Não exponha a bateria à água.
- ◆ Não exponha a bateria ao calor.
- ◆ Não armazene em locais onde a temperatura possa exceder os 40 °C.
- ◆ Carregue apenas a temperaturas ambiente entre 10 °C e 40 °C.
- ◆ Carregue apenas com o carregador fornecido com o equipamento/ferramenta. A utilização do carregador errado pode resultar em choque eléctrico ou sobreaquecimento da bateria.
- ◆ Quando eliminar as baterias, siga as instruções indicadas na secção "Protecção do ambiente".
- ◆ Não danifique a bateria por perfuração ou impacto, pois pode originar risco de ferimentos e incêndio.
- ◆ Não carregue baterias danificadas.

**Em condições extremas, pode ocorrer uma fuga nas baterias. Se detectar a fuga de líquido das baterias, limpe o líquido cuidadosamente com um pano.** Evite o contacto com a pele.

Em caso de contacto com a pele ou com os olhos, siga as instruções seguintes.

**Atenção! O electrólito da bateria pode causar ferimentos ou danos materiais.** Em caso de contacto com a pele, enxágue imediatamente com água. Em caso de vermelhidão, dor ou irritação, contacte um médico. Se entrar em contacto com os olhos, enxágue imediatamente com água limpa e procure ajuda médica.

### Carregadores

**Atenção! O carregador foi concebido para uma tensão específica.** Verifique sempre se a tensão de alimentação corresponde à tensão indicada na placa sinalética.

**Atenção!** Nunca substitua a unidade do carregador por uma tomada de alimentação normal.



- ◆ Utilize o carregador STANLEY FATMAX apenas para carregar o equipamento/bateria na ferramenta respectiva. Outras baterias podem rebentar, causando ferimentos e danos.
- ◆ Nunca tente carregar baterias não recarregáveis.
- ◆ Se o cabo de alimentação estiver danificado, terá de ser substituído pelo fabricante ou por um centro de assistência autorizado da STANLEY FATMAX para evitar acidentes.
- ◆ Não exponha o carregador à água.
- ◆ Não abra o carregador.
- ◆ Não manipule o interior do carregador.
- ◆ O carregador deve ser colocado numa área com boa ventilação durante o carregamento.

### Etiquetas no carregador

O carregador contém os seguintes símbolos de aviso:



O carregador deve ser utilizado apenas em espaços interiores.



Antes da utilização, leia o manual de instruções.

### Segurança eléctrica



O carregador tem isolamento duplo. Por esse motivo, não necessita de ligação à terra. Verifique sempre se a tensão de alimentação corresponde à tensão indicada na placa sinalética. Nunca substitua a unidade do carregador por uma tomada de alimentação normal.

- ◆ Se o cabo de alimentação estiver danificado, deve ser substituído pelo fabricante ou por um centro de assistência autorizado da STANLEY FATMAX para evitar acidentes.

### Acessórios

1. Gatilho de ligar/desligar
2. Alavanca de desbloqueio
3. Travão da corrente/protecção dianteira
4. Barra-guia
5. Corrente da serra
6. Cobertura da roda dentada
7. Contra-porca da barra
8. Parafuso de tensão da corrente
9. Tampão do óleo
10. Indicador do nível do óleo
11. Bainha da barra-guia
12. Pega traseira
13. Punho frontal
14. Bateria
15. Patilha de libertação da bateria

16. Chave sextavada
17. Armazenamento da chave hexagonal

### Montagem

**Atenção!** Antes de montar, remova a bateria (14) da ferramenta.

### Carregar a bateria (Fig. A)

A bateria tem de ser carregada antes da primeira utilização e sempre que não conseguir produzir potência suficiente em trabalhos anteriormente feitos sem dificuldade. As baterias podem aquecer durante o carregamento. Isto é normal e não indica um problema.

**Atenção!** Não carregue a bateria a uma temperatura ambiente inferior a 10 °C ou superior a 40 °C. Temperatura de carregamento recomendada: cerca de 24 °C.

**Nota:** O carregador não carrega a bateria se a temperatura das células for inferior a 10 °C ou superior a 40 °C.

A bateria deve permanecer no carregador e este inicia o carregamento automaticamente se a temperatura da bateria aquecer ou arrefecer.

- ◆ Para carregar a bateria (14), insira-a no carregador (18). A bateria encaixa apenas de uma maneira no carregador. Não force o movimento de corte. Certifique-se de que a bateria está completamente introduzida no carregador.
- ◆ Ligue o carregador e ligue-o à corrente. O indicador de carga (18a) fica intermitente. O carregamento é concluído quando a luz do indicador de carga (18a) ficar acesa de maneira contínua. O carregador e a bateria podem ficar ligados indefinidamente. O LED acende-se quando o carregador ocasionalmente preenche a carga da bateria.
- ◆ As baterias descarregadas devem ser carregadas no espaço de 1 semana. A vida útil da bateria diminui consideravelmente se for guardada sem carga.

### Modos do LED do carregador

	<b>A carregar:</b> LED verde intermitente	
	<b>Totalmente carregada:</b> LED verde fixo	
	<b>Retardação de calor/frio:</b> LED verde intermitente LED vermelho fixo	

**Nota:** O(s) carregador(es) compatível(eis) não carrega(m) uma bateria defeituosa. Quando o carregador não se acende, isso indica que a bateria está defeituosa.

**Nota:** Isto pode também indicar que se trata de um problema no carregador. Se o carregador indicar uma falha, entregue o carregador e a bateria num centro de assistência autorizado para que possam ser testados.

### Deixar a bateria no carregador

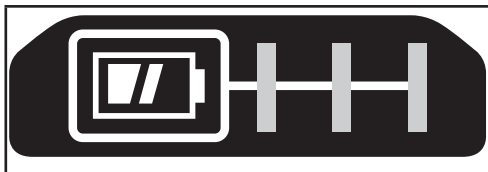
O carregador e a bateria podem permanecer ligados com o LED aceso indefinidamente. O carregador mantém a bateria nova e totalmente carregada.

### Atraso da bateria quente/fria

Quando o carregador detecta que uma bateria está demasiado quente ou demasiado fria, inicia de imediato a retardação de calor/frio, o LED verde (18a) começa a piscar de maneira intermitente e o LED vermelho (8b) permanece ligado de maneira contínua, suspendendo o carregamento até a bateria atingir uma temperatura adequada. Em seguida, o carregador muda automaticamente para o modo de carga. Esta função assegura a duração máxima da bateria.

### Indicador do estado de carga da bateria (Fig. B)

A bateria inclui um indicador do estado de carga para determinar rapidamente a duração da bateria, como indicado na Figura B. Ao carregar no botão de estado de carga (14a), pode visualizar facilmente a carga restante na bateria, como indicado na Figura B.



### Instalar e retirar a bateria (Fig. L)

**Atenção!** Certifique-se de que a ferramenta/equipamento está na posição de desligado antes de colocar a bateria.

**Nota:** Para obter os melhores resultados, assegure-se de que a bateria está totalmente carregada.

- ◆ Para instalar a bateria (14) no punho da ferramenta, alinhe a bateria com as calhas no interior do punho da ferramenta e deslize-a para dentro do punho até a bateria ficar inserida com firmeza na ferramenta e assegure-se de que não se desencaixa.
- ◆ Para retirar a bateria da ferramenta, pressione a patilha de libertação (15) e puxe a bateria com firmeza para fora do punho da ferramenta. Insira a bateria no carregador, como descrito na secção sobre o carregador neste manual.

### Instalar a barra-guia e a corrente da serra (Fig. D-H)

**Atenção!** A corrente está afiada. Utilize sempre luvas de protecção durante utilizar a corrente. A corrente é afiada e pode cortá-lo quando não estiver a ser utilizada.

**Atenção!** Corrente afiada em movimento. Para evitar um accionamento acidental, assegure-se de que remove a bateria da ferramenta antes de efectuar as seguintes operações. Se não o fizer, podem ocorrer ferimentos graves.

Se a corrente da serra (5) e a barra-guia (4) estiverem embaladas em separado na embalagem, a corrente tem de ser fixada na barra-guia e ambas têm de ser fixadas no corpo da ferramenta.

- ◆ Coloque a serra numa superfície lisa e firme.
- ◆ Rode a contra-porca da barra-guia (7) para a esquerda com a chave de fendas (16) fornecida.
- ◆ Retire a cobertura da roda dentada (6) e a contra-porca da barra-guia (7).
- ◆ Usando luvas de protecção, agarre na corrente da serra (5) e enrole-a à volta da barra-guia (4), certificando-se de que os dentes estão virados para a direcção correcta (Fig. H).
- ◆ Assegure-se de que a corrente foi inserida correctamente na ranhura à volta de toda a barra de guia.
- ◆ Coloque a corrente da serra à volta da roda dentada ( 19 ). Enquanto alinha a ranhura na barra-guia com o pino de aperto da corrente (20), e o parafuso (21), na base da ferramenta, como indicado na Fig. E.
- ◆ Quando estiver instalado, mantenha a barra-guia fixa e volte a colocar a cobertura da roda dentada (6). Instale primeiro a parte de trás da cobertura da roda dentada, rode-a para baixo e certifique-se de que o orifício do parafuso na cobertura fica alinhado com o parafuso (21), na caixa principal.
- ◆ Aperte a contra-porca da barra (7) e rode-a para a direita com a chave hexagonal (16) fornecida até ficar bem apertada e depois afrouxe a porca uma volta completa, para que a corrente da serra possa ser apertada correctamente.
- ◆ Rode o botão de tensão da corrente (8) para a direita para aumentar a tensão, como indicado na Fig. D. Certifique-se de que a corrente da serra (5) está bem apertada à volta da barra-guia (4). Aperte a contra-porca da barra (7) até ficar bem apertada.
- ◆ Siga as instruções indicadas na secção Regular a tensão da corrente.

### Ajustar a tensão da corrente (Fig. D-H)

**Atenção!** A tensão incorrecta na corrente da serra pode fazer com que a corrente se solte da barra-guia e pode causar ferimentos graves ou a morte.

**Nota:** A tensão da corrente da serra deve ser ajustada com regularidade antes de cada utilização.

- ◆ Com o serrote montado numa superfície plana e firme, verifique a tensão da corrente da serra (5). A tensão está correcta quando a corrente da serra recuar depois de ser puxada (3 mm) de distância da barra-guia (4) com pouca força com o dedo do meio e o polegar, como indicado na Fig. F. Não deve haver uma folga entre a barra-guia e a corrente da serra na parte inferior, como indicado na Fig. G.
- ◆ Para ajustar a tensão da corrente da serra, afrouxe as contra-porcas da barra (7).
- ◆ Rode o parafuso de tensão da corrente (8) na parte da frente da caixa com uma chave de parafusos plana da chave hexagonal (16).
- ◆ Verifique a tensão da corrente da serra e regule-a se for necessário.
- ◆ Não aplique demasiada tensão na corrente da serra, uma vez que tal irá causar um desgaste excessivo e reduzir a vida útil da barra-guia e da corrente da serra. O excesso de tensão reduz também o número de cortes conseguidos por carga da bateria.
- ◆ Quando a tensão da corrente da serra estiver correcta, aperte a porca de fixação da barra-guia (7) até ficar bem apertada. Aperte a contra-porca da barra (7) para um binário de (8 Nm).
- ◆ Uma nova corrente estica-se ligeiramente durante as primeiras horas de utilização. É importante verificar a tensão com frequência (depois de desligar a bateria retire a bateria) durante as duas primeiras horas de utilização.

### Substituir a corrente da serra (Fig. D-H)

**Atenção!** Corrente afiada em movimento. Para evitar um accionamento accidental, assegure-se de que remove a bateria da ferramenta antes de efectuar as seguintes operações. Se não o fizer, podem ocorrer ferimentos graves.

**Cuidado:** A corrente está afiada. Utilize sempre luvas de protecção durante utilizar a corrente. A corrente é afiada e pode cortá-lo quando não estiver a ser utilizada.

**Cuidado:** A velocidade da corrente deste produto é de 8.6 m/s. Utilize apenas correntes com velocidade superior a 8.6 m/s.

- ◆ Coloque a serra numa superfície lisa e firme.
- ◆ Retire a cobertura da roda dentada (6) como descrito na secção Instalar a barra-guia e a corrente da serra.
- ◆ Para retirar a corrente da serra (5), rode o parafuso de tensão da corrente (8) na parte da frente da caixa com uma chave de parafusos plana da chave. Rode o parafuso para a esquerda para permitir que a barra-guia (4) recue e reduza a tensão na corrente para que possa ser removida.
- ◆ Com as luvas de protecção calçadas, agarre na corrente da serra e retire a corrente da serra gasta da ranhura na barra de guia.

- ◆ Rode a barra-guia sempre que substituir a corrente para garantir um desgaste uniforme.
- ◆ Coloque a nova corrente na ranhura da barra-guia, certificando-se de que os dentes da serra ficam virados para o sentido correcto, fazendo corresponder a seta na corrente com o gráfico na cobertura da roda dentada (6), indicada na Fig. H.
- ◆ Siga as instruções sobre como instalar a barra-guia e a corrente da serra.

A corrente e a barra de guia sobresselentes estão disponíveis no seu centro de assistência autorizado mais próximo.

Esta motosserra necessita de uma corrente de substituição (304 mm).

Barra sobresselente (304 mm).

### Lubrificação da corrente da serra e da barra-guia (Fig. I)

#### Sistema automático de lubrificação

Esta motosserra montada em cabo está equipada com um sistema automático de lubrificação, que mantém a corrente da serra e a barra-guia sempre lubrificadas.

O indicador do nível do óleo (10) mostra o nível do óleo na motosserra. Se o nível de óleo for inferior a um quarto do depósito cheio, retire a bateria da motosserra e volte a encher o depósito de óleo com o tipo de óleo correcto.

Quando terminar o corte, esvazie sempre o depósito de óleo. Esvazie sempre o depósito de óleo antes de armazenar esta unidade.

**Nota:** Não utilize esta motosserra sem óleo.

**Nota:** Utilize sempre um óleo biodegradável para lâminas-guia e correntes de qualidade elevada para uma lubrificação adequada da corrente da serra e da barra-guia. Quando podar árvores, é recomendável utilizar um óleo de origem vegetal para lâminas-guia e correntes, porque os óleos de origem mineral podem afectar as árvores vivas. Nunca use óleo sujo, gasto ou contaminado. Se o fizer, a ferramenta pode ficar danificada.

#### Encher o depósito de lubrificante

- ◆ Desaperte para a esquerda e depois retire o tampão do óleo (9). Encha o depósito com a quantidade de óleo recomendada para lâminas-guia e correntes até o nível atingir o topo do indicador do nível de óleo (10).
- ◆ Volte a colocar o tampão do óleo e aperte para a direita.
- ◆ Substitua periodicamente a corrente da serra e verifique o indicador do nível de óleo para assegurar a lubrificação adequada da barra-guia e da corrente. Substitua periodicamente a corrente da serra e verifique o indicador do nível de óleo para assegurar a lubrificação adequada da barra-guia e da corrente.

### Transportar a motosserra (Fig. J)

- ◆ Quando transportar a serra, desligue sempre a unidade, retire a bateria e tape a barra-guia (4) com a cobertura da barra-guia (11).

### Funcionamento

**Atenção!** Para reduzir o risco de ferimentos graves, desligue a unidade e retire a bateria antes de efectuar quaisquer ajustes ou de retirar/instalar dispositivos complementares ou acessórios. Um arranque acidental pode causar ferimentos.

### Posição correcta das mãos (Fig. K)

**Atenção!** Para reduzir o risco de ferimentos graves, utilize sempre a ferramenta com as suas mãos na posição correcta, como indicado.

**Atenção!** Para reduzir o risco de ferimentos graves, segure sempre a ferramenta com firmeza, antecipando uma reacção súbita por parte da mesma.

A posição correcta das mãos requer a colocação da mão esquerda na pega dianteira (13), e a outra na pega traseira (12).

### Utilizar a motosserra (Fig. K)

**Atenção!** Leia e compreenda todas as instruções. O não cumprimento de todas as instruções indicadas abaixo pode resultar em choque eléctrico, incêndio e/ou ferimentos graves.

- ◆ A protecção contra ricochete pode causar ferimentos graves ou a morte. Consulte Avisos de segurança gerais relativos a ferramentas eléctricas e Avisos de segurança gerais relativos a motosserras e Causas e prevenção por parte do utilizador do efeito de recuo e Dispositivos de segurança contra recuo, para evitar o risco de recuo.
- ◆ Não se estique demasiado quando trabalhar com a ferramenta. Não corte acima do peito. Certifique-se de que tem os pés bem assentes. Mantenha os pés afastados. Divida o seu peso de maneira uniforme em ambos os pés.
- ◆ Segure firmemente com a mão esquerda a pega dianteira (13) e, com a direita, segure a pega traseira (12) de modo a que o seu corpo fique à esquerda da barra de guia (4).
- ◆ Não segure na motosserra pelo travão da corrente/protecção dianteira (3). Mantenha firme o ombro esquerdo para que o braço esquerdo fique direito para suportar o ricochete.

**Atenção!** Nunca segure na ferramenta com as mãos cruzadas (mão esquerda na pega traseira e mão direita na pega dianteira).

**Atenção!** Quando utilizar a motosserra, nunca alinhe qualquer parte do corpo com a barra-guia.

- ◆ Nunca trabalhe junto a uma árvore, numa posição invulgar ou em cima de uma escada ou de outra superfície instável.

Pode perder o controlo da serra, causando ferimentos graves.

- ◆ Mantenha a motosserra a funcionar à velocidade máxima durante toda a operação de corte.
- ◆ Deixe que seja a corrente da serra a fazer o corte. Exerça apenas uma pressão ligeira. Não coloque pressão na motosserra quando terminar o corte.

**Atenção!** Quando não utilizar a ferramenta, engate sempre o travão da corrente e retire a bateria.

### Regular o travão da corrente (Fig. K, L)

A motosserra está equipada com um sistema de travagem da corrente que pára a corrente rapidamente se houver recuo.

- ◆ Certifique-se de que o travão da corrente/protecção dianteira (3) está na posição de avanço.
- ◆ Insira a bateria (14) na ferramenta.
- ◆ Puxe o travão da corrente/protecção dianteira (3) na direcção da pega dianteira (13) para a posição "definida/pronta", como indicado na Fig. L.
- ◆ A ferramenta está pronta a ser utilizada.
- ◆ Após a utilização, volte a colocar o travão da corrente/protecção dianteira na posição de avanço.
- ◆ Retire a bateria.

**Nota:** No caso de recuo, a sua mão esquerda entra em contacto com a protecção dianteira, empurrando-o para a frente, em direcção à peça de trabalho. Isto faz parar a ferramenta.

### Testar o travão da corrente (Fig. L)

Teste o travão da corrente antes de qualquer utilização, para certificar-se de que funciona correctamente.

- ◆ Coloque a ferramenta numa superfície lisa e firme. Certifique-se de que a corrente da serra (5) está afastada do chão.
- ◆ Segure a ferramenta com firmeza com ambas as mãos e ligue a motosserra.
- ◆ Rode a mão esquerda para a frente à volta da pega dianteira (13) de modo a que as costas da mão entrem em contacto com o travão da corrente/protecção dianteira (3) e o empurrem para a frente, na direcção da peça de trabalho. A corrente da serra pára de imediato.

**Nota:** Se a serra não parar de imediato, deixe de utilizar a ferramenta e leve-a para um centro de assistência autorizado perto de si.

**Atenção!** Certifique-se de que acciona o travão da corrente antes de efectuar o corte.

### Interruptor para ligar/desligar (Fig. M)

Certifique-se sempre de que tem os pés assentes e segure a motosserra com firmeza com ambas as mãos e com o polegar e os dedos à volta de ambas as pegas.

- ◆ Para ligar a unidade, empurre a alavanca de desbloqueio (2) para dentro, como indicado na Fig. M, e carregue no gatilho (1). Quando a unidade estiver a funcionar, pode libertar a alavanca de desbloqueio.
- ◆ Para manter a unidade em funcionamento, deve continuar a apertar o gatilho. Para desligar a ferramenta, liberte o gatilho.

### Afiar a corrente da serra (Fig. N - P)

**Cuidado:** A corrente está afiada. Utilize sempre luvas de protecção durante utilizar a corrente. A corrente é afiada e pode cortá-lo quando não estiver a ser utilizada.

**Atenção!** Corrente afiada em movimento. Para evitar um accionamento acidental, assegure-se de que remove a bateria da ferramenta antes de efectuar as seguintes operações. Se não o fizer, podem ocorrer ferimentos graves.

**Nota:** As lâminas ficam imediatamente rombas se tocarem no chão ou num prego durante o corte.

Para obter os melhores resultados desta motosserra, é importante manter os dentes da serra de poda afiados. Siga estas sugestões úteis para afiar a corrente da serra correctamente:

- ◆ Para obter os melhores resultados, utilize uma lima de 4,5 mm e um porta-limas ou uma guia de lima para afiar a corrente da serra. Isto garante que obtém sempre os ângulos de afiação correctos.
- ◆ Coloque o suporte da lima achatada na placa superior e indicador de profundidade da lâmina.
- ◆ Mantenha a linha de ângulo de afiação da placa superior correcta (22) de 30° na guia da lima paralela à sua corrente (lime a 60° a partir da corrente visualizada a partir da parte lateral), como indicado.
- ◆ Afie primeiro as lâminas num dos lados da corrente. Lime cada lâmina de dentro para fora. Em seguida, vire a serra ao contrário e repita os processos (2, 3, 4) das lâminas no outro lado da corrente.

**Nota:** Utilize uma lima achatada para limar a parte superior dos raspadores (parte da ligação da corrente à frente da lâmina) para fiquem a cerca de 0,635 mm abaixo das pontas das lâminas, como indicado abaixo.

- ◆ Os tamanhos das lâminas devem ser idênticos aos indicados na Fig. O.
- ◆ Se houver danos na superfície cromada das placas superiores ou laterais, lime até remover os danos.

**Cuidado:** Depois de limar, a lâmina fica afiada, por isso tenha cuidado especial atenção durante este processo.

**Nota:** Sempre que afiar a corrente, perde parte da capacidade de recuo reduzida, portanto deve ter especial atenção. É recomendável afiar a corrente da serra apenas quatro vezes.

### Armazenamento da chave hexagonal (Fig. Q)

Quando não utilizar a chave sextavada (16), deve armazená-la na área de armazenamento da chave hexagonal (17) situada debaixo da ferramenta.

Puxe a chave hexagonal da área de fixação da chave hexagonal para removê-la.

Empurre a chave hexagonal para a área de armazenamento da chave hexagonal para armazená-la.

### Sistema de parede com calhas da Stanley (Fig. R,S)

**Atenção!** Para reduzir o risco de ferimentos graves, desligue a unidade e retire a bateria antes de efectuar quaisquer ajustes ou de retirar/instalar acessório ou dispositivos adicionais. Um arranque acidental pode causar ferimentos.

**Atenção!** Para reduzir o risco de ferimentos graves, não utilize um gancho integrado do Sistema de parede com calhas da Stanley danificado ou o Sistema de parede com calhas da Stanley. Um gancho integrado do Sistema de parede com calhas da Stanley danificado ou a calha do Sistema de parede com calhas da Stanley não suporta o peso da ferramenta.

**Atenção!** Para reduzir o risco de ferimentos graves, NÃO suspenda a ferramenta nem pendure objectos no gancho integrado. Suspenda APENAS a ferramenta na calha do Sistema de parede com calha da Stanley utilizando o gancho integrado.

**Atenção!** O gancho integrado do Sistema de parede com calhas da Stanley foi concebido para montar a ferramenta numa calha do Sistema de parede com calhas da Stanley. Não utilize o gancho integrado para montar a ferramenta em qualquer outra superfície.

**Atenção!** O gancho integrado do Sistema de parede com calhas da Stanley não é um gancho para cinto.

**Atenção!** Quando pendurar objectos numa calha do Sistema de parede com calhas da Stanley, certifique-se de que coloca as ferramentas numa posição adequada para não exceder 35 kg por pé linear.

**Atenção!** Antes de utilizar a ferramenta, certifique-se de que o gancho integrado do Sistema de parede com calhas da Stanley foi colocado na posição original.

**Importante:** Os acessórios do Sistema de parede com calhas da Stanley fixam as ferramentas compatíveis em segurança no Sistema de parede com calhas da Stanley. Desligue a ferramenta, retire a bateria e retire os acessórios. Instale a bainha da barra-guia (11) na barra-guia (4).

**Cuidado:** Qualquer produto com dentes de corte expostos deve ser tapado de maneira segura se for colocado na calha do Sistema de parede com calhas da Stanley.

Monte o gancho integrado (23) na calha do Sistema de parede com calhas da Stanley, como indicado na Fig. R,S. Encaixa quando é fixado na respectiva posição.

**Nota:** Estão disponíveis acessórios do Sistema de parede com calhas da Stanley para utilização com a sua ferramenta estão disponíveis, mediante um custo adicional, no seu fornecedor local ou centro de assistência autorizado.

### Técnicas de corte comuns

#### Abate (Fig. T, U)

O processo de corte de uma árvore. Não corte árvores em situações de vento forte.

**Atenção!** O derrube pode dar origem a ferimentos. Deve ser efectuado apenas por pessoas com formação.

Antes de efectuar os cortes, deve planear um caminho de fuga. O caminho de fuga deve ser efectuado para trás e na diagonal para a parte de trás da linha de queda prevista, como indicado abaixo.

- ◆ Antes de a operação de abate ser iniciada, tenha em consideração a inclinação natural da árvore, a localização dos ramos maiores e a direcção do vento para poder avaliar o local de queda da árvore. Deve ter cunhas (de madeira, plástico ou alumínio) e um macete pesado por perto. Retire a sujidade, pedras, cascas, pregos, agrafos e fios na árvore onde pretende efectuar o corte.
- ◆ Corte inferior em entalhes - Faça um entalhe de 1/3 do diâmetro da árvore, perpendicular à direcção da queda. Faça primeiro o corte de entalhe inferior na horizontal. Isto impede o bloqueio da corrente da serra ou da barra-guia quando fizer o segundo corte em entalhe.
- ◆ Traço de abate - Faça o traço de abate a, pelo menos, 51 mm acima do corte de entalhe na horizontal. Mantenha o traço de abate paralelo ao corte de entalhe na horizontal. Faça o traço de abate para que haja madeira suficiente para funcionar como dobradiça. A madeira de dobradiça impede que a árvore fique torcida e caia para a direcção errada.

Não corte através da dobradiça, como indicado abaixo.

- ◆ À medida que o corte se aproxima da dobradiça, a árvore deve começar a cair. Se a árvore não cair na direcção pretendida ou se abanar e dobrar a corrente da serra, pare o corte antes de o corte de abate ser concluído e use cunhas para abrir o corte e deixar cair a árvore ao longo da linha de corte pretendida. Quando a árvore começar a cair, retire a motosserra da área de corte, pare o motor, coloque a motosserra no chão e depois utilize o caminho de fuga planeado. Esteja atento à queda de pernadas e preste atenção à posição dos seus pés.

#### Cortar ramos (Fig. V)

Remover os ramos de uma árvore caída. Quando arrancar ramos de árvores, deixe os maiores ramos inferiores para apoiar o tronco junto ao chão. Remova os ramos pequenos com um só corte.

Os ramos sob tensão devem ser cortados a partir da parte inferior do ramo para cima, para evitar que a serra da corrente fique dobrada, como indicado na Figura V. Corte as pernadas a partir do lado oposto, mantendo o tronco da árvore entre si e a serra. Nunca corte com a serra entre as pernas nem sente-se sobre a pernada a cortar.

#### Corte de troncos (Fig. W, X, Y, Z)

**Atenção!** É recomendável que os utilizadores inexperientes pratiquem os cortes num cavalete de serrador.

Podem também praticar numa árvore ou num tronco cortado. A forma de corte depende da maneira como o tronco é apoiado. Utilize um cavalete sempre que possível, como indicado na Fig. W.

- ◆ Faça sempre um corte com a corrente da serra a funcionar à velocidade máxima.
- ◆ Coloque a haste inferior da motosserra por trás da área do corte inicial, como indicado na Figura W.
- ◆ Ligue a motosserra e depois rode a corrente da serra e a barra-guia na direcção da árvore, utilizando a haste como dobradiça.
- ◆ Quando a motosserra ficar a um ângulo de 45 °, nivele a motosserra novamente e repita os passos até o corte ser terminado por completo.
- ◆ Se a árvore for apoiada em todo o comprimento, Fig. X, faça um corte a partir do topo (corte superior), mas evite cortar terra, porque pode fazer com que a serra fique embotada rapidamente.
- ◆ Quando é suportada numa extremidade, Fig. Y, faça um corte de 1/3 de diâmetro a partir do lado inferior (corte inferior). Em seguida, inicie o corte final, efectuando um corte superior na direcção do primeiro corte, como indicado na Fig. Y.
- ◆ Quando é suportada em ambas as extremidades, Fig. Z, faça um corte de 1/3 de diâmetro a partir do lado superior. Em seguida, inicie o corte final, efectuando um corte inferior nos 2/3 inferiores na direcção do primeiro corte, como indicado na Fig. Z.

### Resolução de problemas

Problema	Causa possível	Possível solução
A ferramenta não liga	Botão de bloqueio não premido.	Prima o botão de bloqueio.
	A bateria não está bem colocada	Coloque a bateria correctamente
	A bateria não está carregada	Carregue a bateria
	Bateria não colocada correctamente	Remova a bateria e volte a colocá-la correctamente

Problema	Causa possível	Possível solução
A corrente não pára 2 segundos depois da ferramenta ser desligada	A tensão da corrente está demasiado solta	Verifique a tensão da corrente
Barra/corrente quente/com fumo	Depósito de óleo vazio	Verificar o nível do depósito de óleo
	Orifício de lubrificação bloqueado na barra da corrente	Limpe os orifícios de lubrificação e desobstrua a ranhura à volta da extremidade da barra da corrente.
	A corrente está demasiado apertada	Verifique a tensão da corrente
	A ponta da roda dentada da barra-guia necessita de lubrificação	Lubrificar a ponta da roda dentada da barra-guia
A motosserra não corta bem	A corrente roda para trás	Verificar/modificar a direcção da corrente
		Afiar
A motosserra não está a usar o óleo	Resíduos no depósito	Esvaziar óleo do depósito e reabastecer
	Orifício de lubrificação bloqueado na tampa	Remover detritos do orifício
	Detritos na barra da corrente	Remover detritos e limpar a barra da corrente
	Detritos na saída do óleo	Retire os resíduos
A motosserra pára repentinamente durante a utilização	Bateria vazia	Verifique o nível de carga da bateria carregando no botão do estado da carga. Recarregue a bateria, se necessário.
	Bateria demasiado quente	Deixe a bateria a arrefecer durante pelo menos 30 minutos antes de continuar ou carregar.
	Protecção do limite de corrente	Reinicie a motosserra. Não altere o ritmo de funcionamento da ferramenta. Não sobrecarregue.

## Nível do óleo

Não deve permitir que o nível do depósito desça abaixo de um quarto da capacidade.

## Corrente da serra e barra-guia

- ◆ Após poucas horas de utilização e antes de armazenamento, remova a barra-guia e a corrente da serra e, em seguida, limpe-as exaustivamente.
- ◆ Certifique-se de que a protecção está limpa e que não tem sujidade.
- ◆ Lubrifique a ponta da roda dentada e a barra da corrente através dos orifícios de lubrificação da roda dentada. Isto assegura uma distribuição uniforme do desgaste à volta dos trilhos da barra-guia.

## Afiar a corrente

Se pretende obter os melhores resultados desta ferramenta, é importante manter os dentes da corrente da motosserra afiados.

As directrizes deste procedimento encontram-se na embalagem do amolador.

## Substituir correntes de serra gastas

As correntes de serra sobresselentes são disponibilizadas pelos revendedores ou agentes de serviço STANLEY FATMAX. Utilize sempre peças sobresselentes genuínas.

## Afiação da corrente da serra

As lâminas da corrente da serra ficarão imediatamente rombas se tocarem no solo ou num prego durante o corte.

## Tensão da corrente

Verifique com frequência a tensão da corrente da serra.

## O que fazer se a sua motosserra necessitar de reparação?

A sua motosserra foi fabricada em conformidade com os requisitos de segurança aplicáveis. As reparações só devem ser efectuadas por um profissional qualificado, utilizando peças sobresselentes originais. Caso contrário, o utilizador pode correr sérios riscos. Recomendamos que guarde este manual do utilizador num local seguro.

## Proteger o ambiente



Recolha selectiva. Os produtos e as baterias assinalados com este símbolo não devem ser eliminados em conjunto com o lixo doméstico normal.

Os produtos e baterias contêm materiais que podem ser recuperados ou reciclados, reduzindo a procura de matéria-prima.

## Manutenção

Uma manutenção frequente assegura à ferramenta um tempo de vida útil longo. Recomendamos que efectue as seguintes inspecções com frequência.

**Atenção!** Antes de proceder a qualquer acção de manutenção em ferramentas eléctricas com cabo/sem fios:

- ◆ Desligue a ferramenta da alimentação principal.

Recicle os produtos eléctricos e as baterias de acordo com as disposições locais. Estão disponíveis mais informações em [www.2helpU.com](http://www.2helpU.com)

LWA (nível de potência sonora medida): 99 dB(A),  
variabilidade (K) = 1,6 dB (A),  
LWA (potência sonora garantida) 101 dB(A)

**Dados técnicos**

SFMCCS730		
Tensão	V <sub>cc</sub>	18
Comprimento da barra	mm	300
Velocidade da corrente (sem carga)	m/s	6,7
Comprimento máximo de corte	mm	250
Capacidade do óleo	ml	150
Peso	kg	2.51 (sem a corrente de serra, a barra-guia, a tampa da barra-guia, óleo, bateria)

Carregador		SFMCB11	SFMCB12	SFMCB14
Tensão de entrada	V <sub>ca</sub>	230	230	230
Tensão de saída	V <sub>cc</sub>	18	18	18
Corrente	A	1,25	2	4

Bateria		SFMCB201	SFMCB202	SFMCB204	SFMCB206
Tensão	V <sub>cc</sub>	18	18	18	18
Capacidade	Ah	1,5	2,0	4,0	6,0
Tipo		lões de lítio	lões de lítio	lões de lítio	lões de lítio

Nível de pressão sonora de acordo com a norma EN 62841:	
L <sub>PA</sub> (pressão sonora): 87 dB(A), variabilidade (K): 3 dB(A)	
L <sub>WA</sub> (potência sonora): 99 dB(A), variabilidade (K): 1,6 dB(A)	

Valores totais de vibração (valores totais de vibração) de acordo com EN 62841:	
Valor de emissão de vibrações (a <sub>v</sub> ) 6,5 m/s <sup>2</sup> , variabilidade (K) 1,5 m/s <sup>2</sup>	

**Declaração de conformidade CE**  
DIRECTIVA “MÁQUINAS”



SFMCCS730 – Motosserra compacta

A STANLEY FATMAX declara que os produtos descritos em “dados técnicos” estão em conformidade com as seguintes

normas: 2006/42/CE,

EN 62841-1:2015+A11:2022, EN 62841-4-1:2020,

2000/14/CE, Anexo V

**Estes produtos respeitam também a Directiva 2014/30/UE e 2011/65/UE.**

**Para obter mais informações, contacte a STANLEY FATMAX** na morada indicada ou consulte o verso do manual. O abaixo assinado é responsável pela compilação do ficheiro técnico e efectua esta declaração em nome da STANLEY FATMAX

*Patrick Diepenbach*

Patrick Diepenbach  
Director-Geral, Benelux  
Stanley FatMax,  
Egide Walschaertsstraat 14-18  
2800 Mechelen, Bélgica  
28/06/2023

**Garantia**

A STANLEY FATMAX confia na qualidade dos seus produtos e oferece aos clientes uma garantia de 12 meses a partir da data de compra. Esta garantia é um complemento dos seus direitos estabelecidos por lei, não os prejudicando de forma alguma. A garantia é válida nos territórios dos Estados-membros da União Europeia, da Zona Europeia de Comércio Livre e no Reino Unido.

Para accionar a garantia, esta deve estar em conformidade com os termos e condições da STANLEY FATMAX e terá de apresentar comprovativos de compra ao vendedor ou a um técnico de reparação autorizado. Os termos e condições da garantia de 1 ano da STANLEY FATMAX e a localização do técnico de reparação autorizado mais próximo pode ser obtido na Internet em [www.2helpU.com](http://www.2helpU.com) ou contactando uma filial da STANLEY FATMAX, cuja morada está indicada neste manual. Visite o nosso Website [www.stanley.eu/3](http://www.stanley.eu/3) para registar o novo produto da STANLEY FATMAX e manter-se actualizado relativamente a novos produtos e ofertas especiais.



## Avsedd användning

Din STANLEY FATMAX, SFMCCS730 kompakta motorsåg har konstruerats för kapning och kvistning. Apparaten är avsedd för såväl yrkesanvändare som privatkonsumenter.

## Säkerhetsinstruktioner

### Allmänna säkerhetsvarningar för elverktyg



**Varning! Läs alla säkerhetsvarningar, instruktioner, illustrationer och specifikationer som levereras med elverktyg.** Underlåtenhet att läsa alla instruktioner som listas här nedan kan resultera i elektrisk stöt, eldsvåda och/eller allvarlig personskada.

**Spara alla säkerhetsföreskrifter och anvisningar för framtida bruk.** Begreppet "Elverktyg" i alla varningar som listas nedan avser nätdrivna elverktyg (med nätsladd) och batteridrivna elverktyg (sladdlösa).

#### 1. Säkerhet på arbetsplatsen

- a. **Håll arbetsområdet rent och väl upplyst.** Belamrade och mörka områden inbjuder till olyckor.
- b. **Använd inte elverktyg i explosiv atmosfär, såsom i närheten av lättantändliga vätskor, gaser eller damm.** Elverktyg skapar gnistor som kan antända damm eller ångor.
- c. **Håll barn och åskådare på avstånd vid arbete med elverktyget.** Distractioner kan göra att du förlorar kontrollen.

#### 2. Elsäkerhet

- a. **Elverktygens kontakter måste passa i eluttaget. Modifiera aldrig kontakten på något sätt. Använd inga adapterkontakter tillsammans med jordade elverktyg.** Icke modifierade kontakter och matchande uttag minskar risken för elektrisk stöt.
- b. **Undvik kroppskontakt med jordade eller jordanslutna ytor såsom rör, radiatorer, spisar och kylskåp.** Det finns en ökad risk för elektriska stötar om kroppen är jordad eller jordansluten.
- c. **Utsätt inte elverktyg för regn eller våta förhållanden.** Vatten som kommer in i ett elverktyg ökar risken för elektrisk stöt.
- d. **Hantera nätsladden varsamt. Använd aldrig sladden för att bära, dra eller koppla bort elverktyget från uttaget. Håll sladden på ett säkert avstånd från värme, olja, skarpa kanter eller rörliga delar.** Skadade eller trasliga sladdar ökar risken för elektriska stötar.
- e. **Använd en förlängningssladd som lämpar sig för utomhusbruk när du arbetar med elverktyg utomhus.** Användning av en sladd som är lämplig för utomhusbruk minskar risken för elektriska stötar.

- f. **Om du måste använda ett elverktyg på en fuktig plats, bör du använda en strömförsörjning med jordfelsbrytare.** Användning av en jordfelsbrytare minskar risken för elektrisk stöt.

#### 3. Personlig säkerhet

- a. **Var uppmärksam, se på vad du gör och använd sunt omdöme när du använder elverktyget.** Använd inte ett elverktyg när du är trött eller påverkad av droger, alkohol eller mediciner. Ett ögonblicks ouppmärksamhet när du arbetar med elektriska verktyg kan leda till allvarliga personsador.
- b. **Använd personlig skyddsutrustning. Använd alltid skyddsglasögon.** Skyddsutrustning såsom dammfilterskydd, halksäkra säkerhetsskor, skyddshjälm eller hörselskydd som används för lämpliga förhållanden minskar personsador.
- c. **Förhindra oavsiktlig start. Kontrollera att strömbrytaren står i avstängt läge innan du ansluter verktyget till elnätet eller sätter i batteriet, samt innan du tar upp eller bär verktyget.** Om du bär elverktyg med ditt finger på strömbrytaren eller ansluter ett påkopplat elverktyg till nätströmmen kan en olycka inträffa.
- d. **Ta bort alla inställningsnycklar eller skruvnycklar innan elverktyget slås på.** En skruvnyckel eller en nyckel som har lämnats kvar på en roterande del av det elektriska verktyget kan orsaka kroppssador.
- e. **Sträck dig inte för långt. Ha ordentligt fotfäste och balans hela tiden.** Detta ger bättre kontroll över elverktyget i oväntade situationer.
- f. **Bär lämpliga kläder. Bär inte löst sittande kläder eller smycken. Håll håret, kläder och handskar undan från rörliga delar.** Lösa kläder, smycken eller långt hår kan fastna i rörliga delar.
- g. **Om enheten har dammsugnings- och uppsamlingsutrustning, se till att den är ansluten och används på korrekt sätt.** Användning av dammuppsamling kan minska dammrelaterade risker.
- h. **Bli inte vårdslös och ignorera inte säkerhetsprinciperna trots att du är van att använda verktyget.** En oförsiktig handling kan orsaka allvarliga skador under bråkdelen av en sekund.

#### 4. Användning och skötsel av elverktyget

- a. **Belasta inte elverktyget alltför mycket. Använd rätt elverktyg för ditt arbete.** Det korrekta elverktyget gör arbetet bättre och säkrare vid den hastighet för vilket det konstruerades.
- b. **Använd inte elverktyget om strömbrytarens funktion att slå på och av inte fungerar.** Alla elverktyg som inte kan kontrolleras av strömbrytaren är farliga och måste repareras.

- c. **Dra ut stickkontakten ur vägguttaget och/eller ta ut batteriet ur elverktyget innan installationer görs, tillbehör delar byts ut eller elverktyget läggs undan.** Sådana förebyggande säkerhetsåtgärder minskar risken för att elverktyget startar oavsiktligt.
- d. **Förvara elverktyg utom räckhåll för barn och låt inte personer som är ovana vid elverktyget eller som inte läst denna bruksanvisning använda det.** Elverktyg är farliga i händerna på ovana användare.
- e. **Underhålla elverktyg. Kontrollera att rörliga komponenter fungerar felfritt och inte kärvar, att komponenter inte gått sönder eller skadats och inget annat föreligger som kan påverka elverktygets funktion. Vid skador reparera elverktyget före användning.** Många olyckor orsakas av dåligt underhållna elverktyg.
- f. **Håll skärande verktyg vassa och rena.** Korrekt underhållna kapverktyg med vassa skär minskar risken för att de fastnar och är lättare att kontrollera.
- g. **Använd elverktyget, tillbehör och verktygsbits o.s.v. i enlighet med dessa instruktion och ta hänsyn till arbetsförhållandena och arbetet som skall utföras.** Användning av elverktyget för andra uppgifter än vad som avsetts kan resultera i farliga situationer.
- h. **Håll handtagen och greppytorna torra, rena och fria från olja och fett. Hala handtag och greppytor förhindrar säker hantering och kontroll av verktyget i oväntade situationer.**
5. **Användning och skötsel av batteriet**
- a. **Ladda endast med laddaren som specificerats av tillverkaren.** En laddare som passar en batterityp kan medföra brandrisk om den används ihop med ett annat batteri.
- b. **Använd endast de batteri som är speciellt avsedda för elverktyget.** Användning av andra batterier kan skapa en risk för skada och brand.
- c. **När batteriet inte används ska du hålla det åtskilt från metallföremål som gem, mynt, nycklar, spik, skruvar och andra små metallföremål som kan orsaka kortslutning mellan batteriets poler.** Kortslutning av batteripolerna kan leda till brännskador eller eldsvåda.
- d. **Under olämpliga förhållanden kan vätska spruta ut från batteriet. Undvik kontakt. Vid oavsiktlig kontakt, spola med vatten. Om vätskan kommer i kontakt med ögonen, sök också läkarhjälp.** Vätska som sprutar ur batteriet kan orsaka sveda och brännskador.
- e. **Använd inte ett batteri eller ett verktyg som är defekt eller modifierat.** Skadade eller modifierade batterier kan uppvisa oförutsägbart beteende som kan leda till brand, explosion eller risk för skada.
- f. **Utsätt inte batteriet eller verktyget för eld eller höga temperaturer.**

Exponering för brand eller temperatur över 130 °C kan orsaka explosion. OBS: Temperaturen "130 °C" kan ersättas med temperaturen "265 °F".

- g. **Följ alla instruktioner gällande laddningen och ladda inte batteriet eller verktyget utanför det temperaturintervall som anges i bruksanvisningen.** Att ladda på fel sätt eller utanför det angivna temperaturintervallet kan skada batteriet och öka brandrisken.

## 6. Service

- a. **Låt en kvalificerad reparatör som bara använder identiska reservdelar utföra service på elverktyget.** Detta säkerställer att elverktygets säkerhet bibehålles.
- b. **Gör aldrig service på skadade batteri.** Service av batteri bör endast genomföras av tillverkaren eller auktoriserade tjänsteleverantörer (används endast för batteridrivna verktyg).

## Allmänna säkerhetsföreskrifter för motorsågar



**Varning!** Extra säkerhetsföreskrifter för motorsågar

- ◆ **Håll undan alla kroppsdelar från kedjan när sågen är igång. Se till att kedjan inte vidrör något innan du startar sågen.** Bara ett ögonblicks ouppmärksamhet när du använder motorsågar kan leda till att kläder eller delar av kroppen fastnar i motorsågen.
- ◆ **Håll alltid motorsågen med din högra hand på det bakre handtaget och din vänstra hand på det främre handtaget.** Håll aldrig sågen med händerna i omvänd ordning eftersom risken för personskador ökar.
- ◆ **Håll endast motorsågen i de isolerade greppytorna eftersom det finns risk för att sågkedjan kommer i kontakt med dolda elledningar.** Om en sågkedja får kontakt med strömförande ledningar kan verktygets metalldelar bli strömförande och ge dig en elektrisk stöt.
- ◆ **Använd skyddsglasögon. Ytterligare skyddsutrustning för hörsel, huvud, händer, ben och fötter rekommenderas.** Lämpliga skyddskläder minskar personskador till följd av flygande träbitar eller oavsiktlig kontakt med sågens kedja.
- ◆ **Använd inte motorsågen när du är uppe i ett träd eller står på en stege eller någon annan instabil yta.** Användning av en motorsåg på detta sätt kan leda till allvarliga personskador.
- ◆ **Se alltid till att ha ordentligt fotfäste och stå på ett stadigt, säkert och jämnt underlag när du använder motorsågen.** Hala eller instabila underlag, t.ex. stegar, kan få dig att tappa balansen eller förlora kontrollen över sågen.

- ◆ **Var uppmärksam på att en spänd gren som sågas av kan fjädra tillbaka.** När spänningen i träfibrerna släpper kan den fjädrande grenen träffa den som sågar och/eller slå motorsågen ur händerna.
- ◆ **lakta stor försiktighet vid kapning av buskar och unga träd.** Tunna grenar kan fastna i kedjan och slå tillbaka mot dig eller få dig att tappa balansen.
- ◆ **Bär motorsågen i det främre handtaget och se till att den är avstängd och att kedjan inte kommer i kontakt med kroppen. Se alltid till att svärdskyddet är på under transport eller förvaring.** Om motorsågen hanteras på rätt sätt minskas risken för oavsiktlig kontakt med kedjan när den är i rörelse.
- ◆ **Följ anvisningarna för smörjning, kedjespänning och byte av tillbehör.** En felaktigt spänd eller smord kedja kan gå av eller medföra ökad risk för kast
- ◆ **Såga endast i trä. Använd inte sågen till annat än det den är avsedd för. Exempelvis: använd inte den för att såga plast, murverk eller byggmaterial som inte är träbyggnadsmaterial.** Användning av sågen på annat sätt än det avsedda kan framkalla fara.
- ◆ **Försök inte fälla ett träd förrän du har förstått riskerna och hur du kan undvika dem.** Allvarlig skada kan uppstå för operatören eller närstående när denne faller ett träd.
- ◆ **Följ alla instruktioner när du rensar fastnat material, förvarar eller underhåller motorsågen. Se till att strömbrytaren är avstängd och att batteriet är borttaget.** Övrigt aktivering av häcksaxen medan material som fastnat tas bort kan resultera i allvarliga personskador.

### Ytterligare säkerhetsanvisningar för elverktyg



**Varning!** Extra säkerhetsföreskrifter för motorsågar.

- Avsedd användning beskrivs i denna bruksanvisning. Verktyget får inte användas för andra ändamål än vad det konstruerats för. Använd det t.ex. inte för trädfällning. Användning av andra tillbehör eller tillsatser eller användning av det här verktyget som inte rekommenderas i den här bruksanvisningen kan leda till personskador.
- ◆ **Använd tätt åtsittande och skyddande kläder och en säkerhetshjälm med visir/skyddsglasögon, hörselskydd, halkfria skodon, skyddande arbetsbyxor och kraftiga läderhandskar.**
  - ◆ **Se alltid till att du befinner dig på säkert avstånd från eventuella fallande grenar.**
  - ◆ **Säkerhetsavståndet mellan grenar som faller ned och personer som står nära, byggnader och andra föremål är minst 2 1/2 gånger längden på grenen.** Alla personer, byggnader och föremål inom detta avstånd löper risk att träffas av den fallande grenen.
  - ◆ **Förbered säker väg bort från fallande träd eller grenar.**

- Se till att vägen är fri från hinder som kan begränsa dina rörelser. Tänk på att vått gräs och nyskalad bark är halt.
- ◆ **Se till att ha någon i närheten (på säkert avstånd) i händelse av olycka.**
- ◆ **Använd inte verktyget när du står uppe i ett träd eller på en stege eller någon annan instabil yta.**
- ◆ **Ha ordentligt fotfäste och balans hela tiden.**
- ◆ **Håll sägen stadigt med båda händerna när motorn är i gång.**
- ◆ **Låt inte den löpande kedjan komma emot något föremål vid spetsen av svärdet.**
- ◆ **Sågning får inte påbörjas förrän kedjan går med full fart.**
- ◆ **Försök inte att såga i en gammal skåra.** Börja alltid med en ny skåra.
- ◆ **Se upp för korsande grenar eller annat som kan stoppa sågningen och nypa fast eller falla ned på kedjan.**
- ◆ **Försök inte att såga av en gren vars diameter är större än längden på verktygets sågande del.**
- ◆ **Avlägsna alltid batteriet från verktyget och placera kedjeskyddet över kedjan vid förvaring eller transport av verktyget.**
- ◆ **Se till att kedjan är välslipad och korrekt spänd.** Kontrollera kedjespänningen regelbundet.
- ◆ **Stäng alltid av verktyget, låt kedjan stanna och avlägsna batteriet från verktyget innan du gör justeringar eller utför service eller underhåll.**
- ◆ **Använd endast originalreservdelar och -tillbehör.**
- ◆ **Håll handtagen torra, rena och fria från olja och fett.** Oljiga handtag är hala och gör sågen okontrollerbar.
- ◆ **Barkstödet kan bli vasst under produktens livslängd. Var försiktig med det.** Hantera det försiktigt.
- ◆ **Svärdet kan bli varmt när produkten används. Var försiktig med det.**

### Orsaker till kast och hur man förebygger dessa

Rekyl kan uppstå om svärdets nos eller spets kommer i kontakt med ett föremål, eller om träet sluter sig och nyper kedjan i skåran. Spetskontakt kan i vissa fall orsaka en plötslig omvänd reaktion så att svärdet slås uppåt och bakåt mot användaren. Om kedjan nyps längs svärdets översida kan svärdet hastigt slungas bakåt mot användaren. Båda dessa reaktioner kan få dig att tappa kontrollen över sågen, vilket kan leda till allvarlig personskada. Förлита dig inte enbart på sågens inbyggda säkerhetsanordningar. Du bör vidta flera skyddsåtgärder för att undvika olyckshändelser och skador när du använder sågen. Rekyl uppstår till följd av felaktig användning och/eller hantering av sågen. Detta kan undvikas genom de skyddsåtgärder som beskrivs nedan:

- ◆ **Se till att du har ett fast grepp med tummarna och fingrarna ordentligt omslutna om handtagen. Håll sågen med båda händerna och inta en kropps- och armställning så att du kan stå emot kraften från eventuella kast.** Kraften i rekyl kan kontrolleras av användaren om nödvändiga skyddsåtgärder vidtagits. Släpp inte sågen.
- ◆ **Sträck dig inte för långt och såga aldrig ovanför axelhöjd.** Det minskar risken för oavsiktlig spetskontakt och ger dig bättre kontroll över sågen i oväntade situationer.
- ◆ **Använd endast av tillverkaren angivna svärd och kedjor vid byte.** Byte till felaktigt svärd eller kedja kan medföra att kedjan går av och/eller att rekyl uppstår.
- ◆ **Följ tillverkarens anvisningar för slipning och underhåll av kedjan.** Minskning av riktskårets djup kan medföra ökad risk för kast.

### Säkerhetsrekommendationer för motorsågen

- ◆ Vi rekommenderar starkt att ovana användare får praktiska instruktioner från en erfaren användare om hur sågen och skyddsutrustningen ska användas. Den inledande övningen bör vara att såga ved på en sågbock eller i en hållare.
- ◆ Vi rekommenderar att du tar ur batteriet och att kedjan är riktad bakåt när du bär motorsågen.
- ◆ Sköt om motorsågen när den inte är i bruk. Lägg inte under sågen under längre tid utan att först ta bort kedjan och svärdet, som bör förvaras i olja. Förvara sågens delar på ett torrt och säkert ställe, utom räckhåll för barn.
- ◆ Vi rekommenderar att du tömmer oljebehållaren innan sågen läggs i förvar.
- ◆ Se till att du har ordentligt fotfäste och förbered en flyktväg från fallande träd eller grenar.
- ◆ Använd kilar för att få kontroll över fällningen och för att undvika att svärdet och sågkedjan kläms fast i skåran.
- ◆ Skötsel av kedjan. Kedjan skall vara vass och tätt spänd mot svärdet. Se till att kedjan och svärdet är rena och väl inoljade. Håll handtagen torra, rena och fria från olja och fett.

### Kast kan orsakas av:

- ◆ Att man oavsiktligt slår i grenar och andra föremål medan kedjan är i rörelse.
- ◆ Att man stöter på metall, cement eller annat hårt material i närheten av eller inuti träet.
- ◆ Att kedjan är slö eller lös.
- ◆ Att man arbetar ovanför axelhöjd.
- ◆ Bristande uppmärksamhet medan man håller eller styr sågen under arbete.
- ◆ Att man sträcker sig för långt. Se till att du alltid har säkert fotfäste och balans och inte sträcker dig för långt.

- ◆ För inte in sågen i en gammal skåra. Det kan orsaka kast. Börja alltid med ett nytt skär.
- ◆ Vi rekommenderar starkt att du inte använder motorsågen när du befinner dig uppe i ett träd, på en stege eller på något annat ostadigt underlag. Om du ändå använder sågen under dessa omständigheter, vill vi påpeka att det är mycket farligt.
- ◆ När du kapar en spänd gren, måste du vara beredd på att den kan fjädra upp och träffa dig när spänningen släpper.

### Undvik att såga i:

- ◆ Förbehandlat timmer.
- ◆ Marken.
- ◆ Trådstängsel, spik o.s.v.
- ◆ I små buskar och unga träd eftersom tunna grenar kan fastna i kedjan och slå tillbaka mot dig eller få dig att tappa balansen.
- ◆ Använd inte motorsågen ovanför axelhöjd.
- ◆ Se till att ha någon i närheten (på säkert avstånd) i händelse av olycka.
- ◆ Om du av någon anledning måste röra kedjan, se först till att sågen är avstängd och batteriet är borttaget.
- ◆ Detta verktyg kan nå en bullernivå över 80 dB(A). Vi rekommenderar därför att du vidtar lämpliga åtgärder för att skydda din hörsel

### Återstående risker.

Ytterligare risker som inte finns med i de bifogade säkerhetsanvisningarna kan uppstå när verktyget används. Dessa risker kan uppstå vid felaktig eller långvarig användning, etc.

Även om alla relevanta säkerhetsanvisningar följs och säkerhetsanordningar används kan vissa ytterligare risker inte undvikas. Dessa omfattar:

- ◆ Skador orsakade av att roterande/rörliga delar vidrörs.
- ◆ Skador orsakade när delar, skivor eller tillbehör byts.
- ◆ Skador som orsakas av långvarig användning av ett verktyg. Se till att regelbundet ta vilopausar när du använder ett verktyg under en längre period.
- ◆ Hörselnedsättning.
- ◆ Hälsorisker orsakade av inandning av damm när verktyget används (exempel: arbete med trä, särskilt ek, bok och MDF)

### Buller och vibrationer

De deklarerade vibrationsvärdena och de angivna bullervärdena som anges i avsnitten Tekniska data och deklarationen om överensstämmelse har uppmätts i enlighet med en standardtestmetod föreskriven i EN 62841 och kan användas för jämförelse med andra verktyg. De deklarerade vibrationsvärdena och de angivna bullervärdena kan även användas för en preliminär bedömning av exponeringen.

**Varning!** Vibrationsvärdet och bullervärdet under faktisk användning av elverktyget kan skilja sig från det angivna värdet beroende på hur verktyget används. Vibrationsnivån kan överstiga den angivna nivån.

Vid uppskattningar av exponering för vibrationer i syfte att bedöma vilka säkerhetsåtgärder som är nödvändiga enligt 2002/44/EG för att skydda personer som regelbundet använder elverktyg i arbetet ska man utgå från de faktiska omständigheter under vilka elverktyget används och sättet på vilket det används. Bedömningen ska även ta hänsyn till alla moment i arbetscykeln, t.ex. när verktyget är avstängt och när det går på tomgång såväl som när det faktiskt används.

### Etiketter på verktyget

Följande varningssymboler finns på verktyget, tillsammans med datumkoden:



**Varning!** Läs bruksanvisningen före användning för att minska risken för personskador.



Använd inte sågen i väta och utsätt den inte för regn.



Använd alltid skydd för huvud, hörsel och ögon.



Använd en skyddsmask



Bär alltid skyddshandskar.



Bär alltid halkfria säkerhetsskor.



Håll alltid motorsågen ordentligt med båda händerna.



Var uppmärksam på motorsågens kast och undvik kontakt med svärdspetsen.



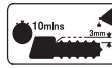
Använd inte motorsåg med en hand.



Stäng av verktyget. Ta ut batteriet ur verktyget innan du utför något underhåll på verktyget.



Se upp för fallande föremål. Håll åskådare på avstånd



Kontrollera var tionde minut att kedjan är ordentligt spänd såsom beskrivs i denna bruksanvisning efter var 10 minuts användning och justera den inom en marginal på tre mm efter behov. Smörj kedjan var 10:e minut vid användning.



**Varning!** Rör inte kedjan vid spånutkastet



Kedjans rotationsriktning.



Kedjan och svärdet bör endast ersättas med originaldelar från STANLEY FATMAX för att garantera fortsatt säker drift. Kedja med reservdelsnummer A6158 och svärd med reservdelsnummer 90619609.



Direktiv 2000/14/EG garanterad ljudeffekt.

### Ytterligare säkerhetsinstruktioner för batterier och laddare

#### Batterier

- ◆ Försök aldrig öppna batteriet.
- ◆ Utsätt inte batteriet för vatten.
- ◆ Utsätt inte batteriet för värme.
- ◆ Förvara inte på platser där temperaturen kan bli högre än 40 °C.
- ◆ Ladda endast vid temperaturer mellan 10 °C och 40 °C.
- ◆ Ladda endast med hjälp av laddaren som medföljer apparaten/verktyget. Användning av fel laddare kan resultera i en elektrisk stöt eller att batteriet överhettas.
- ◆ Följ instruktionerna som anges i avsnittet "Miljö" när du kastar batterierna.
- ◆ Skydda batteripaketet från skador/deformeringar i form av slag och stötar eftersom det kan leda till personskador eller eldsvåda.
- ◆ Ladda inte skadade batterier.

**Under extrema förhållanden kan batterierna läcka. Om det finns vätska på batterierna ska du torka bort vätskan försiktigt med hjälp av en trasa.** Undvik hudkontakt.

Följ instruktionerna nedan vid kontakt med hud eller ögon.

**Varning! Batterivätskan kan orsaka person- eller materialskador.** Vid hudkontakt, skölj genast med vatten.

Vid rodnader, smärta eller irritation ska läkare uppsökas. Vid kontakt med ögonen, skölj genast med rent vatten och uppsök läkare.

## Laddare

**Varning!** Laddaren är avsedd för en viss spänning.

Kontrollera alltid att nätspänningen överensstämmer med spänningen på märkskylten.

**Varning!** Försök aldrig byta ut laddaren mot en vanlig nätkontakt.

- ◆ Laddaren från STANLEY FATMAX får bara användas för att ladda batteriet i den apparat/verktyg som laddaren levererades med. Andra batterier kan brista och orsaka personskadorna eller andra skador.
- ◆ Försök aldrig ladda batterier som inte är laddningsbara.
- ◆ Om nätsladden är skadad måste den bytas ut av tillverkaren eller en auktoriserad STANLEY FATMAX-verkstad för att farliga situationer ska undvikas.
- ◆ Utsätt inte laddaren för vatten.
- ◆ Öppna inte laddaren.
- ◆ Gör ingen åverkan på laddaren.
- ◆ Batteriladdaren ska placeras på en plats med god ventilation vid laddning.

## Etiketter på laddaren

Följande symboler finns på laddaren:



Laddaren är endast avsedd för inomhusbruk.



Läs bruksanvisningen före användning.

## Elsäkerhet



Eftersom laddaren är dubbelisolerad behövs ingen jordledare. Kontrollera alltid att nätspänningen överensstämmer med spänningen på märkskylten. Försök aldrig byta ut laddaren mot en vanlig nätkontakt.

- ◆ Om nätsladden är skadad måste den bytas ut av tillverkaren eller ett auktoriserat STANLEY FATMAX-servicecenter för att undvika farliga situationer.

## Egenskaper

1. På/av avtryckare
2. Låsspak
3. Kedjebroms/frontheadtagsskydd
4. Svärd
5. Sägkedja
6. Kedjekåpa
7. Svärdlåsmutter
8. Kedjespänningsskruv

9. Oljelock
10. Indikator för oljenivå
11. Svärdskydd
12. Bakre handtag
13. Främre handtag
14. Batteri
15. Låsknapp batteripaket
16. Insexnyckel
17. Hållare för insexnyckel

## Montering

**Varning!** Ta ur batteriet (14) innan du sätter ihop verktyget.

### Ladda batteriet (fig. A)

Batteriet behöver laddas innan första användning och närhelst det inte producerar tillräckligt med energi för arbeten som lätt gjordes tidigare. Batteriet kan bli varmt när det laddas. Det är normalt och innebär inte att något är fel.

**Varning!** Ladda inte batteriet vid en omgivande temperatur under 10 °C eller över 40 °C. Rekommenderad laddningstemperatur: ungefär 24 °C.

**Observera:** Laddaren laddar inte batteriet om celltemperaturen är lägre än ungefär 10 °C eller högre än 40 °C.

Batteriet skall lämnas kvar i laddaren och laddaren kommer att påbörja laddningen automatiskt när celltemperaturen värmts upp eller kylts ned.

- ◆ För att ladda batteriet (14), sätt in det i laddaren (18). Batteriet passar endast i laddaren på ett sätt. Tvinga inte. Se till att batteriet sitter ordentligt i laddaren.
- ◆ Anslut laddaren till vägguttaget.

Laddningsindikatorn (18a) börjar blinka.

När batteriet är laddat börjar laddningsindikatorn (18a) lysa med ett fast sken. Laddaren och batteriet kan lämnas anslutna hur länge som helst. Indikatorn tänds eftersom laddaren då och då fyller på batteriets laddning.

- ◆ Urladdade batterier bör laddas inom 1 vecka. Om batterierna inte laddas när de är urladdade förkortas batteriivslängden avsevärt.

## Laddarens LED-lägen

	<b>Laddar:</b> Grön blinkande LED-lampa	
	<b>Fulladdat:</b> Grön lampa med fast sken	



## Installera svärdet och sågkedjan (fig. D-H)

**Varning!** Vass kedja. Använd alltid skyddshandskar när sågkedjan hanteras. Kedjan är vass och du kan skära dig även när den inte är i rörelse.

**Varning!** Vass kedja i rörelse. För att förhindra oavsiktlig start, se till att batteriet är borttaget från verktyget innan någon av följande handlingar utförs. Om inte ovanstående rekommendationer följs kan det leda till allvariga personskador.

Om sågkedjan (5) och svärdet (4) förpackas separat i kartongen, måste kedjan fästas på svärdet och båda måste fästas på verktygets kropp.

- ◆ Placera sågen på en plan och fast yta.
- ◆ Vrid svärdläsmutterna (7) moturs med skiftnyckeln (16) som medföljer.
- ◆ Ta bort kedjehjulskåpan (6) och svärdläsmutterna (7).
- ◆ Använd skyddshandskar, ta tag i sågkedjan (5) och linda den runt svärdet (4), se till att tänderna är riktade i rätt riktning (fig. H) .
- ◆ Se till att kedjan är korrekt insatt i öppningen runt hela svärdet.
- ◆ Placera sågkedjan runt kedjekransen (19). Rikta in kedjespänningspinnen (20) och bulten (21) mot öppningen i svärdet på basen på verktyget såsom visas i fig. E.
- ◆ När det är på plats, håll svärdet stilla och sätt tillbaka kedjekransens lock (6). Installera baksidan av kedjeskyddet först, vrid det nedåt och se till att bulthålet på skyddet är i linje med bulten (21) på huvudkåpan.
- ◆ Montera svärdläsmuttern (7) och vrid medurs med den medföljande nyckeln (16) tills den sitter ordentligt. Lossa sedan muttrarna ett helt varv så att sågkedjan kan spännas ordentligt.
- ◆ Vrid kedjespänningskruven (8) medurs för att öka spänningen såsom visas i fig. D. Se till att sågkedjan (5) sitter tätt mot svärdet (4). Dra åt svärdets läsmutter (7) tills den sitter ordentligt.
- ◆ Följ instruktionerna i sektionen Justering av kedjespänningen.

**Observera:** Den/de kompatibla laddar(en/na) kommer inte att ladda ett felaktigt batteri. Laddaren indikerar ett felaktigt batteri genom att inte tända.

**Observera:** Detta kan också betyda att det är problem med en laddare. Om laddaren inte tänds, låt testa laddaren och batteriet hos ett auktoriserat servicecenter.

## Lämna batteriet i laddaren

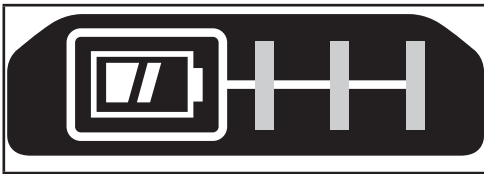
Batteriet kan sitta kvar i laddaren och laddaren kan vara ansluten till vägguttaget hur länge som helst när indikatorn lyser. Laddaren ser till att batteriet hålls fräscht och fulladdat.

## Hett/kallt batterifördröjning

När laddaren upptäcker ett batteri som är för varmt eller för kallt startar den automatiskt en varm/kall paketfördröjning, den gröna LED (18a) blinkar kontinuerligt medan den röda LED (18b) fortsätter att lysa kontinuerligt, laddningen skjuts upp tills batteriet har nått en lämplig temperatur. Laddaren växlar sedan automatiskt till batteriladdningsläge. Denna funktion garanterar maximal batterilivslängd.

## Laddningsstatus (fig. B)

Batteriet har en laddningsstatusindikator för att snabbt kunna avgöra kvarvarande batterilivslängd såsom visas i fig. B. Genom att trycka på knappen för laddningsstatus (14a) kan du enkelt se kvarvarande laddning i batteriet såsom visas i fig. B.



## Montering och borttagning av batteriet (fig. L)

**Varning!** Kontrollera att verktyget/apparaten står i avstängt läge innan du sätter i batteriet.

**Observera:** För bästa resultat se till att batteriet är fulladdat.

- ◆ För att installera batteriet (14) i verktygshandtaget, rikta in batteriet mot skenorna inuti strålkastarhandtaget och skjut in det i handtaget tills batteriet sitter fast i verktyget och se till att det inte lossnar.
- ◆ För att ta bort batteriet från verktyget, tryck på låsknappen (15) och dra med ett fast grepp batteriet ut ur verktygshandtaget. Sätt i det i laddaren på det sätt som det beskrivs i laddningsavsnittet i denna manual.

## Justering av kedjespänning (fig. D-H)

**Varning!** Felaktig sågkedjespänning kan göra att sågkedjan lossnar från svärdet och kan orsaka allvarliga skador eller dödsfall.

**Observera:** Sågkedjans spänning ska justeras regelbundet före användning.

- ◆ Kontrollera kedjespänningen (5) med sågen liggande plant på en stabil yta. Spänningen är korrekt när sågkedjan snäpper tillbaka efter dragits 3 mm bort från svärdet (4) med lätt kraft från långfingret och tummen såsom visas i fig. F. Det skall inte finnas någon "svikt" mellan svärdet och sågkedjan på undersidan såsom visas i fig. G.

- ◆ För att justera kedjespänningen, lossa svärdläsmuttern (7)
- ◆ Vrid kedjespänningsskruven (8) på framsidan av höljet med den platta skruvmejseländan på insexnyckeln (16).
- ◆ Kontrollera sågkedjans spänning, justera vid behov.
- ◆ Spänn inte sågkedjan för hårt eftersom det ökar slitaget och minskar svärdets och sågkedjans livslängd. Överspänningen reducerar också antalet sågningar som du kan göra per batteriladdning.
- ◆ När sågkedjans spänning är korrekt, dra åt läsmuttern (7) tills den sitter ordentligt. Dra åt svärdets läsmutter (7) till 8 Nm.
- ◆ En ny kedja sträcker sig något under de första timmarnas användning. Det är viktigt att kontrollera spänningen ofta (efter att du har tagit bort batteriet ta bort batteriet) under de första två timmarna av användning.

### Byte av sågkedja (fig. D-H)

**Varning!** Vass kedja i rörelse. För att förhindra oavsiktlig start, se till att batteriet är borttaget från verktyget innan någon av följande handlingar utförs. Om inte ovanstående rekommendationer följs kan det leda till allvarliga personskador.

**Försiktighet:** Vass kedja. Använd alltid skyddshandskar när sågkedjan hanteras. Kedjan är vass och du kan skära dig även när den inte är i rörelse.

**Försiktighet:** Kedjehastigheten för denna produkt är 8.6 m/s. Använd endast kedjor som är klassade för mer än 8.6 m/s.

- ◆ Placera sågen på en plan och fast yta.
  - ◆ Ta bort kedjekåpan (6) såsom beskrivs i sektionen Installera svärdet och sågkedjan
  - ◆ För att ta bort sågkedjan (5), rotera kedjespänningsskruven (8) på framsidan av höljet med den platta skruvmejseländan på nyckeln. Vrid skruven moturs så att svärdet (4) dras tillbaka och spänningen på sågkedjan minskas så att den kan tas bort.
  - ◆ Bär skyddshandskar, ta tag i sågkedjan och lyft den slitna sågkedjan ur spåret i svärdet.
  - ◆ Vänd svärdet varje gång du byter kedjan för att säkerställa jämnt slitage.
  - ◆ Placera den nya kedjan i spåret på svärdet och se till att kedjescären är riktade åt rätt håll genom att jämföra pilen på kedjan med bilden på kedjehjulskåpan (6) såsom visas i fig. H.
  - ◆ Följ instruktionerna för Installera svärdet och sågkedjan.
- Ersättningskedja och -svärd finns tillgängliga från ditt närmaste servicecenter.
- Kedjan (304 mm) måste bytas ut ibland på denna motorsåg. Ersättningsvärd (304 mm).

### Smörjning av kedja och svärd (fig. I)

#### Automatiskt oljesystem

Denna motorsåg har ett automatiskt smörjsystem som håller kedjan och svärdet konstant smorda.

Oljenivåindikatorn (10) visar nivån på oljan i motorsågen. Om oljenivån är mindre än en fjärdedel full, ta bort batteriet från motorsågen och fyll på oljetanken med rätt typ av olja.

Töm alltid oljetanken när sågningen avslutats.

Töm alltid oljetanken innan du lagrar den här enheten.

**Observera:** Använd inte denna motorsåg utan olja.

**Observera:** Använd alltid en biologiskt nedbrytbar svärd- och kedjeolja av hög kvalitet för korrekt smörjning av svärd och kedja. Vid beskärning av träd rekommenderas vegetabilisk stång- och kedjeolja, eftersom mineralbaserade oljor kan skada levande träd. Använd aldrig smutsig, använd eller förorenad olja. Det kan skada verktyget.

#### Fylla på oljebehållaren

- ◆ Skruva loss moturs och ta sedan bort oljelooken (9). Fyll behållaren med den rekommenderade svärd- och kedjeoljan tills oljenivån når överkanten av oljenivåindikatorn (10).
- ◆ Sätt tillbaka oljelooken och dra åt medurs.
- ◆ Stäng av motorsågen med jämna mellanrum och kontrollera oljenivåindikatorn för att garantera att svärdet och kedjan smörjs ordentligt. Stäng av motorsågen med jämna mellanrum och kontrollera oljenivåindikatorn för att garantera att svärdet och kedjan smörjs ordentligt.

#### Transportera motorsåg (fig. J)

- ◆ Stäng alltid av enheten, ta ur batteriet och täck svärdet (4) med svärdskyddet (11) när du transporterar sågen.

#### Drift

**Varning!** För att minska risken för allvarlig personskada, stäng av enheten och ta bort batteriet innan du gör några justeringar eller tar bort/installerar tillsatser eller tillbehör. En oavsiktlig start kan orsaka personskada.

#### Korrekt handplacering (fig. K)

**Varning!** För att minska risken för allvarlig personskada, använd alltid korrekt handplacering enligt bilden.

**Varning!** För att minska risken för allvarlig personskada, håll alltid motorsågen säkert, för att förekomma en plötslig reaktion.

Korrekt handposition kräver ena handen på det främre handtaget (13) och den andra handen på bakre handtaget (12).



## Hantera motorsågen (fig. K)

**Varning!** Läs och förstå anvisningarna. Underlåtenhet att följa samtliga nedanstående instruktioner kan resultera i elstötar, brand och / eller allvarliga personsador.

- ◆ Skydd mot rekyler vilka kan resultera i allvarliga skador eller dödsfall. Se Allmänna säkerhetsföreskrifter för elverktyg och Allmänna säkerhetsanvisningar för motorsågar och Orsaker till och förebyggande av kast och Säkerhetsföreskrifter för kast, för att undvika risken för kast.
- ◆ Böj dig inte för långt. Säg inte över brösthöjd. Se till att ha bra förfäste. Ha fötterna isär. Fördela vikten på båda fötterna.
- ◆ Använd ett fast grepp med vänstra handen på det främre handtaget (13) och din högra hand på det bakre handtaget (12) så att du har kroppen till vänster om svärdet (4).
- ◆ Håll inte motorsågen med kedjebromsen/främre handtaget (3). Ha armbågen på vänstra armen låst så att det vänstra armen är rak för att stå emot en rekyler.

**Varning!** Använd aldrig ett korsat handgrepp (vänster hand på det bakre handtaget och högra handen på främre handtaget).

**Varning!** Låt aldrig någon del av kroppen vara i linje med svärdet när motorsågen används.

- ◆ Använd aldrig sågen i ett träd, i någon konstig position eller på en stege eller annan instabil yta. Du kan förlora kontrollen av sågen och orsaka allvarliga skador.
- ◆ Kör sågen med full hastighet hela tiden som du säger.
- ◆ Låt sågkedjan utföra sågningen. Använd endast lätt tryck. Tryck inte på motorsågen i slutet av sågningen.

**Varning!** När sågen inte används, ha alltid kedjebromsen aktiverad och batteriet borttaget.

## Inställning av kedjebromsen (fig. K, L)

Din motorsåg är utrustad med ett motorsystem med kedjebroms som kommer att stoppa kedjan snabbt i händelse av en rekyler.

- ◆ Kontrollera att kedjebromsen/frontheadtagsskyddet (3) är i läget framåt.
- ◆ Sätt in batteriet (14) i verktyget.
- ◆ Dra kedjebromsen/främre handskyddet (3) mot främre handtaget (13) till läget "inställt/redo" som visas i fig. L.
- ◆ Verktyget är nu klart för användning.
- ◆ Efter användning, för tillbaka kedjebromsen/det främre handskyddet till det främre läget.
- ◆ Ta bort batteriet.

**Observera:** I händelse av kast kommer din vänstra hand att komma i kontakt med främre skyddet och skjuta det framåt mot arbetsstycket. Detta kommer att stoppa verktyget.

## Test av kedjebromsen (fig. L)

Testa kedjebromsen före varje användning för att vara säker på att den fungerar korrekt.

- ◆ Lägg sågen på ett plant, stabilt underlag. Se till att sågkedjan (5) går fritt från underlaget.
- ◆ Greppa verktyget med båda händerna och slå på sågen.
- ◆ Roterar vänster hand framåt runt det främre handtaget (13) så att handryggen kommer i kontakt med kedjebromsen/främre handtaget (3) och skjuter det mot arbetsstycket. Sågkedjan skall stoppas omedelbart.

**Observera:** Om sågen inte stoppar omedelbart, sluta använda verktyget och lämna det till ditt närmaste auktoriserade servicecenter.

**Varning!** Se till att ställa in kedjebromsen innan sågningen.

## Strömbrytare (fig. M)

Ha alltid bra förfäste och greppa motorsågen med båda händerna med tummarna och fingrarna runt respektive handtag.

- ◆ Slå på genom att skjuta in låsspaken (2), som visas i fig. M, och tryck in avtryckaren (1). När enheten är igång kan du släppa låsspaken.
- ◆ För att fortsätta att ha enheten igång måste du fortsätta att trycka in avtryckaren. För att stänga av enheten, släpp avtryckaren.

## Sågkedjeslipning (fig. N - P)

**Försiktighet:** Vass kedja. Använd alltid skyddshandskar när sågkedjan hanteras. Kedjan är vass och du kan skära dig även när den inte är i rörelse.

**Varning!** Vass kedja i rörelse. För att förhindra oavsiktlig start, se till att batteriet är borttaget från verktyget innan någon av följande handlingar utförs. Om inte ovanstående rekommendationer följs kan det leda till allvarliga personsador.

**Observera:** Sågtänderna blir genast slöa om de kommer i kontakt med marken eller en spik under sågning.

För att få bästa möjliga prestanda från motorsågen är det viktigt att hålla sågtänderna på sågkedjan vassa. Följ dessa hjälpfulla tips för korrekt slipning av sågkedjan:

- ◆ För bästa resultat, använd en 4,5 mm fil och en filhållare eller filstyrning för att vassa sågkedjan. Detta garanterar att du alltid får korrekt slipvinkel.
- ◆ Placera filhållare plant på överplattan och djupmätaren på skåret.
- ◆ Håll korrekt filvinkellinje på 30° på överplattan (22) på filstyrningen parallellt med kedjan (fila i 60° från kedjan sett från sidan) som visas på bilden.
- ◆ Vassa skären på ena sidan först. Fila från insidan på varje skär till utsidan. Vänd sedan på sågen och upprepa processen (2, 3, 4) för skären på den andra sidan av kedjan.

**Observera:** Använd en platt fil för att fila ovansidan av hyvlingstånderna (del av kedjelenken framför skåret) så att de är ungefär 0,635 mm under spetsen på skåret såsom visas i bild

- ◆ Håll skärlängderna likvärdiga som visas i fig. O.
- ◆ Om det finns skador på kromytan på övre plattorna eller på sidoplattorna, fila så att sådana skador försvinner.

**Försiktighet:** Efter filningen kommer skåret att vara vasst, var extra försiktigt under denna process.

**Observera:** Varje gång som kedjan slipas förlorar den något av den låga rekylkvaliteterna och extra försiktighet är nödvändig. Det rekommenderas att en sågkedja inte skall slipas mer än fyra gånger.

### Insexnyckelns förvaringsplats (fig. Q)

Insexnyckeln när den inte används (16) ska förvaras iosexnyckelns förvaringsplats (17) under verktyget.

Dra ut insexnyckeln från dess förvaringsplats för att använda den.

Tryck in insexnyckeln iosexnyckelns förvaringsplats när du inte längre behöver använda den.

### Stanley Track Wall System (fig. R, S)

**Varning!** För att minska risken för allvarlig personskada, stäng av enheten och ta bort batteripaketet innan du gör några justeringar eller tar bort/installerar tillsatser eller tillbehör. En oavsiktlig start kan orsaka personskada.

**Varning!** För att minska risken för allvarlig personskada, använd inte en skadad Stanley Track Wall System inbyggd hängkrok eller Stanley Track Wall System. En skadad Stanley Track Wall System inbyggd upphängningskrok eller skadad Stanley Track Wall System Trackwall stöder inte verktygets vikt.

**Varning!** För att minska risken för allvarliga personskador SKALL INTE verktyget hängas högt eller föremål hängas i den inbyggda upphängningskroken. Häng ENDAST upp verktyget på Stanley Track Wall System Trackwall med hjälp av den inbyggda upphängningskroken.

**Varning!** Stanley Track Wall System inbyggda upphängningskrok är avsedd för att montera verktyget på en Stanley Track Wall System Trackwall-skena.

Använd inte den inbyggda upphängningskroken för att montera verktyget på någon annan yta.

**Varning!** Stanley Track Wall System inbyggda upphängningskrok är inte en bälteskrok.

**Varning!** När du hänger föremål på en Stanley Track Wall System Trackwall-skena ska du ha tillräckligt med utrymme för verktygen så att de inte överstiger 35 kg per linjär fot.

**Varning!** Innan du använder verktyget, se till att Stanley Track Wall Systems inbyggda hängkrok har återställts till sitt ursprungliga läge.

**Viktigt:** Stanley Track Wall System-tillbehör monterar kompatibla verktyg säkert på Stanley Track Wall System.

Stäng av verktyget och, ta bort batteriet och tillbehören.

Montera svärdskyddet (11) på svärdet (4).

**Försiktighet:** Alla produkter med exponerade skärtänder måste ha dem säkert täckta om de ska sitta på Stanley Track Wall System Trackwall.

Montera den inbyggda hängkroken (23) på Stanley Track Wall System Trackwall som visas i fig. R, S. Den klickar när den låses i position.

**Observera:** Tillbehöret Stanley Track Wall System för användning med ditt verktyg finns tillgänglig att köpa hos din lokala återförsäljare eller ditt auktoriserade servicecenter.

### Vanliga sågtekniker

#### Fällning (fig. T, U)

Processen att såga ned ett träd. Fäll inga träd vid hård blåst.

**Varning!** Fällning kan resultera i skador. Det skall endast utföras av utbildade personer.

En reträttväg bör planeras och rensas vid behov innan sågningen påbörjas. Reträttvägen skall sträckas bakåt och diagonalt bakåt mot den förväntade fallinjen som visas nedan.

- ◆ Innan fällningen påbörjas, observera den naturliga lutningen av trädet, placeringen av större grenar och vindriktningen för att bedöma åt vilket håll trädet faller. Ha kilar (trä, plast eller aluminium) och en kraftig klubba tillgänglig. Ta bort smuts, stenar, lös bark, spikar, nitar och ledningar från trädet där fällningskapningen ska ske.
- ◆ Falsundersågning - Gör falsen 1/3 av diametern på trädet, vertikalt mot fallriktningen. Gör det nedre horisontella falssågningen först. Detta hjälper till att undvika klämning av antingen sågkedjan eller svärdet när den andra falssågningen görs som visas nedan.
- ◆ Fällningsbaksågning - gör fällningsbaksågningen minst 51 mm högre än det horisontella falssågningen. Håll fällningsbaksågningen parallellt med det horisontella falssågningen. Gör bakre fällningssågningen så att tillräckligt med trä finns kvar som ett gångjärn. Trågångjärnet förhindrar att trädet vrider sig och faller i fel riktning. Såga inte igenom gångjärnet som visas nedan.
- ◆ När fällningssågningen närmar sig gångjärnet börjar trädet att falla. Om det finns den minsta risk att trädet inte faller i önskad riktning eller att det gungar tillbaka och binder sågkedjan, sluta såga innan fällningssågningen är färdig och använd kilar för att öppna sågningen och få trädet att falla i önskad fallriktning. När trädet börjar att falla ta bort motorsågen från sågspåret, stoppa motorn, lägg ned motorsågen och använd reträttvägen som planerat. Var uppmärksam på överhängande kvistar som faller och se upp var du placerar fötterna.

## Kvistning (fig. V)

Ta bort grenar från ett fällt träd. Lämna större kvistar på trädets nederdel som stöd för stocken. Avlägsna de små kvistarna i ett skär. Grenar som ligger spända skall sågas från undersidan av grenen mot ovansidan för att undvika fastkörning av motorsågen såsom visas i fig. V. Såga stockar från motsatta sida och håll trädstammen mellan dig och sågen. Gör aldrig kapningar mellan dina ben eller grenla kvisten som ska kapas.

## Kapning (fig. W, X, Y, Z)

**Varning!** Det rekommenderas att användare för första gången bör öva sågning på en sågbock.

Kapa ett fällt träd eller stock i längder. Hur du ska kapa beror på vad stocken vilar på. Om möjligt, använd sågbock som visas i fig. W.

- ◆ Starta inte en sågning innan kedjan går med full fart.
- ◆ Placera den undre kanten av kedjan bakom området för den första sågningen såsom visas i fig. W.
- ◆ Slå på motorsågen och vrid sedan sågkedjan och svärdet nedåt genom träet och använd undre kanten som ett gångjärn.
- ◆ När motorsågen kommer till 45° vinkel, lyft motorsågen horisontellt igen och upprepa stegen tills du sågat helt igenom.
- ◆ När trädet stöds längs hela dess längd fig. X, gör en sågning från ovansidan (överkapning) men undvik att såga i jorden då detta kan göra sågen slö snabbt.
- ◆ När den stöds i ena änden fig. Y, såga först 1/3 av diametern från undersidan (underkapning). Gör sedan den avslutande sågningen med överkapning för att möta den första sågningen som visas i fig. Y.
- ◆ När den stöds i båda ändarna fig. Z, såga först 1/3 av diametern från ovansidan (överkapning). Gör sedan den avslutande sågningen med underkapning den nedre 2/3 för att möta den första sågningen som visas i fig. Z.

## Felsökning

Problem	Möjlig orsak	Möjlig lösning
Verktaget startar inte	Du har inte tryckt på låsknappen.	Tryck på låsknappen.
	Batteriet har ej satts i	Sätt i batteriet
	Batteriet är inte laddat	Ladda batteriet
	Batteriet har ej satts i korrekt	Ta ut batteriet och sätt i det igen
Kedjan stannar inte inom två sekunder när verktyget stängs av	Kedjan är inte ordentligt spänd	Kontrollera kedjespänningen

Problem	Möjlig orsak	Möjlig lösning
Svärdet/kedjan verkar vara het eller ryker	Oljetanken är tom	Kontrollera nivån i oljetanken
	Oljehålet är blockerat på svärdet	Rengör oljehålen och rensa spåret kring svärdets kant.
	Kedjan är för hårt spänd	Kontrollera kedjespänningen
	Svärdets kedjedrev måste smörjas	Smörj svärdets kedjedrev
Motorsågen säger inte ordentligt	Kedjan är felvänd	Kontrollera/ändra kedjans riktning
		Slipa
Motorsågen förbrukar ingen olja	Skräp i tanken	Töm tanken på olja och fyll på med ny olja
	Oljehålet i locket är blockerat	Avlägsna allt skräp från hålet
	Skräp på svärdet	Ta bort skräp och rengör svärdet
	Skräp i oljekanalerna	Avlägsna skräpet
Motorsågen stannar plötsligt vid användning	Batteriet är urladdat	Kontrollera batteriladdningsnivån genom att trycka ned batteristatusindikatorn. Ladda vid behov batteriet på nytt.
	Batteriet är för varmt	Låt batteriet svalna i minst 30 minuter innan du fortsätter eller laddar.
	Strömbegränsningsskydd	Starta om motorsågen. Låt verktyget arbeta i sin egen takt. Överbelasta inte verktyget.

## Underhåll

Regelbundet underhåll ger verktyget en lång, effektiv livslängd. Vi rekommenderar att du regelbundet utför följande kontroller.

**Varning!** Innan något underhåll utförs på elektriska redskap:

- ◆ Stäng av och koppla bort verktyget från elnätet.

## Oljenivå

Nivån i behållaren bör aldrig understiga en fjärdedel.

## Kedja och svärd

- ◆ Efter några timmars användning samt innan förvaring av redskapet skall svärdet och kedjan tas av och rengöras grundligt.
- ◆ Se till att skyddet är rent och fritt från skräp.
- ◆ Smörj kedjedrevet och svärdet via smörjhålen. Detta ger en jämn fördelning över hela svärds-kanten.

## Slipning av kedjan

För att verktyget skall fungera så bra som möjligt är det viktigt att hålla sågtänderna vassa.

Anvisningar återfinns på slipens förpackning.

## Byte av utslitna sågkedjor

Utbyteskedjor finns hos återförsäljare och STANLEY FATMAX-verkstäder. Använd alltid originaldelar.

## Kedjans skärpa

Sågtänderna blir genast slöa om de kommer i kontakt med marken eller en spik under sågning.

## Kedjespänning

Kontrollera kedjespänningen regelbundet.

## Om motorsågen behöver repareras?

Din motorsåg har tillverkats i enlighet med alla relevanta säkerhetskrav. Reparationer skall utföras av kvalificerade personer som använder originaldelar, annars kan användaren utsättas för stor fara. Behåll den här bruksanvisningen och förvara den så att den inte kommer bort.

## Miljöskydd



Separat insamling. Produkter och batterier som är markerade med denna symbol får inte kastas i de vanliga hushållssoporna.

Produkter och batterier innehåller material som kan återanvändas eller återvinnas för att minska behovet av råmaterial.

Återvinn elektriska produkter och batterier enligt lokala föreskrifter. Närmare information finns tillgänglig på [www.2helpU.com](http://www.2helpU.com)

## Tekniska data

SFMCCS730		
Spänning	V <sub>DC</sub>	18
Svärdlängd	mm	300
Kedjehastighet (utan belastning)	m/s	6,7
Max. skärlängd	mm	250
Oljekapacitet	ml	150
Vikt	kg	2,51 (utan sågkedja, svärd, svärdsskydd, olja, batteri)

Laddare		SFMCB11	SFMCB12	SFMCB14
Inspänning	V <sub>AC</sub>	230	230	230
Utspänning	V <sub>DC</sub>	18	18	18
Ström	A	1,25	2	4

Batteri		SFMCB201	SFMCB202	SFMCB204	SFMCB206
Spänning	V <sub>DC</sub>	18	18	18	18
Kapacitet	Ah	1,5	2,0	4,0	6,0
Typ		Litiumjon	Litiumjon	Litiumjon	Litiumjon

Ljudtrycksnivå enligt EN 62841:

L<sub>pa</sub> (ljudnivå) 87 dB(A), osäkerhet (K) 3 dB(A)

L<sub>wa</sub> (ljudeffekt) 99 dB(A), osäkerhet (K) 1,6 dB(A)

Totala vibrationsvärden (vektorsumman av tre axlar) enligt EN 62841:

Vibrationsvärde (a<sub>w</sub>) 6,5 m/s<sup>2</sup>, osäkerhet (K) 1,5 m/s<sup>2</sup>

## EG-försäkringen om överensstämmelse MASKINDIREKTIVET



SFMCCS730 – Kompakt motorsåg

STANLEY FATMAX garanterar att produkterna som beskrivs under "tekniska data" uppfyller: 2006/42/EG, EN 62841-1:2015+A11:2022, EN 62841-4-1:2020, 2000/14/EC, bilaga V LWA (uppmätt ljudnivå) 99 dB(A), osäkerhet (K) = 1,6 dB(A), LWA (garanterad ljudnivå) 101 dB(A)

De här produkterna överensstämmer även med direktiven 2014/30/EU och 2011/65/EU.

Mer information får du genom att kontakta STANLEY FATMAX på följande adress eller titta i slutet av bruksanvisningen. Undertecknad är ansvarig för sammanställningen av tekniska data och gör denna försäkringen för STANLEY FATMAX

*Patrick Diepenbach*

Patrick Diepenbach  
General Manager, Benelux  
Stanley FatMax,  
Egide Walschaertsstraat 14-18  
2800 Mechelen, Belgien  
28/06/2023

## Garanti

STANLEY FATMAX är övertygad om kvaliteten hos denna produkt och erbjuder kunder 12 månaders garanti från inköpsdatumet. Denna garanti är ett tillägg till dina lagstadgade rättigheter och påverkar inte dessa på något sätt. Garantin är giltig i områden som tillhör medlemsstaterna i Europeiska unionen och det europeiska frihandelsområdet och i Storbritannien.

För yrkande under garantin måste yrkandet vara i enlighet med STANLEY FATMAX villkor och du kommer att behöva skicka in bevis på köpet till försäljaren eller en auktoriserad reparatör. Villkoren för STANLEY FATMAX 1-åriga garanti och var du hittar din närmaste auktoriserade reparatör kan erhållas på internet på [www.2helpU.com](http://www.2helpU.com), eller genom att kontakta ditt lokala STANLEY FATMAX-kontor på adressen som angetts i denna manual.

Besök vår webbplats [www.stanley.eu/3](http://www.stanley.eu/3) för att registrera din nya STANLEY FATMAX-produkt samt för att få information om nya produkter och specialerbjudanden.

## Tiltenkt bruk

Din STANLEY FATMAX, SFMCCS730 kompakt motorsag er designet for lett kapping og beskjæring. Dette apparatet er tiltenkt både fagarbeidere og private brukere.

## Sikkerhetsinstruksjoner

### Generelle sikkerhetsadvarsler for elektriske verktøy



**Advarsel! Les alle sikkerhetsanvisninger, instruksjoner, illustrasjoner og spesifikasjoner som følger dette elektriske verktøyet.**

Manglende overholdelse av instruksjonene som er listet opp under kan resultere i elektrosjokk, brann og/eller alvorlig personskade.

**Ta vare på alle advarsler og instruksjoner for fremtidig bruk.** Uttrykket «elektroverktøy» i alle advarslene nedenfor gjelder for strømdrevne elektroverktøy (med ledning) og batteridrevne elektroverktøy (uten ledning).

#### 1. Sikkerhet i arbeidsområdet

- Hold arbeidsområdet ryddig og godt opplyst.** Rotete eller mørke områder er en invitasjon til ulykker.
- Du skal ikke bruke elektroverktøy i eksplosive atmosfærer slik som hvor det finnes antennbare væsker, gasser eller støv.** Elektrisk verktøy skaper gnister som kan antenne støv eller gasser.
- Hold barn og andre personer unna når du bruker et elektroverktøy.** Distraksjoner kan føre til at du mister kontrollen.

#### 2. Elektrisk sikkerhet

- Verktøyet støpselet må passe til stikkkontakten. Du skal ikke modifisere støpselet på noen måte. Ikke bruk adapterstøpsler til jordede elektriske verktøy.** Umodifiserte støpsler og stikkontakter som passer vil redusere risikoen for elektrisk sjokk.
- Unngå kroppskontakt med jordede overflater slik som rør, radiatorer, komfyrer og kjøleskap.** Det er fare for elektrisk støt hvis kroppen din er jordet.
- Ikke eksponer elektroverktøy for regn eller våte forhold.** Dersom det kommer vann inn i et elektrisk verktøy vil det øke risikoen for elektrisk sjokk.
- Ikke misbruk ledningen. Du skal aldri bruke ledningen til å bære, dra eller til å plugge ut elektroverktøyet. Hold ledningen unna varme, olje, skarpe kanter og bevegelige deler.** Skadede eller innviklede ledninger øker risikoen for elektrisk sjokk.
- Når du bruker et elektroverktøy utendørs, må du bruke en skjøteledning som er egnet til utendørs bruk.** Bruk av en skjøteledning beregnet for utendørs bruk reduserer risikoen for elektrisk støt.

- Hvis du ikke kan unngå å bruke elektroverktøy på et fuktig sted, må du bruke en strømforsyning som er beskyttet med jordfeilbryter (RCD).** Bruk av jordfeilbryter (RCD) reduserer risikoen for elektrisk støt.

#### 3. Personlig sikkerhet

- Vær oppmerksom, pass på hva du gjør, og vis fornuft når du arbeider med et elektroverktøy. Ikke bruk et elektrisk verktøy dersom du er trøtt eller er påvirket av medikamenter, narkotika eller alkohol.** Ett øyeblikks uoppmerksomhet under bruk av elektriske verktøy kan føre til alvorlig personskade.
- Bruk personlig verneutstyr. Bruk alltid vernebriller.** Verneutstyr slik som støvmaske, skliskre vernesko, hjelm, eller hørselsvern brukt under passende forhold vil redusere personskader.
- Forhindre utilsiktet start. Kontroller at bryteren står i posisjon «av» før du kobler til strømkilden og/eller batteripakken, og før du tar opp eller bærer verktøyet.** Ved å bære elektroverktøy med fingeren på avtrekkeren eller ved å koble en energikilde til elektroverktøy som har bryteren på kan føre til ulykker.
- Fjern justeringsnøkkel før du skrur elektroverktøyet på.** Et skrueverktøy eller en nøkkel som fortsatt er festet til en roterende del av elektroverktøyet, kan føre til personskade.
- Strekk deg ikke for langt. Ha godt fotfeste og stå støtt hele tiden.** Dette gir bedre kontroll over elektroverktøyet i uventede situasjoner.
- Kle deg skikkelig. Ikke ha på løse klær eller smykker.** Hold hår, klær og hansker unna bevegelige deler. Løse klær, smykker eller langt hår kan sette seg fast i bevegelige deler.
- Hvis du har støvsuger og støvsamler, skal du forsikre deg om at de er festet skikkelig og brukes på riktig måte.** Bruk av støvsuger kan redusere støvrelaterte farer.
- Ikke la erfaring med hyppig bruk av verktøy la deg bli likegyldig og ignorere verktøyet sikkerhetsregler.** En uforsiktig handling kan føre til alvorlig personskade på brøkdelen av et sekund.

#### 4. Bruk og stell av elektriske verktøy

- Ikke bruk makt på elektroverktøyet. Bruk riktig elektroverktøy for ditt bruk.** Det riktige elektroverktøyet vil gjøre jobben bedre og sikrere i området det er designet for.
- Ikke bruk verktøyet dersom det ikke kan slå på og av ved hjelp av bryteren.** Et verktøy som ikke kan kontrolleres med bryteren er farlig og må repareres.
- Trekk støpselet ut av stikkkontakten og/eller koble fra batteripakken på elektroverktøyet før du utfører innstillinger, bytter tilbehør eller legger elektroverktøyet bort for lagring.**

Slike forebyggende sikkerhetstiltak reduserer faren for at elektroverktøyet starter ved et uhell.

- d. **Oppbevar verktøy utenfor barns rekkevidde og ikke tillat personer som ikke er kjent med maskinen eller bruksanvisningen å håndtere verktøyet.** Elektroverktøy er farlige i hendene på brukere uten opplæring.
  - e. **Sørg for vedlikehold av elektroverktøy. Undersøk om bevegelige deler er feiljustert eller blokkert, om deler er skadet, og om det er andre forhold som kan påvirke elektroverktøyets funksjon. Hvis det er skadet skal du få elektroverktøyet reparert før bruk.** Mange ulykker oppstår på grunn av dårlig vedlikehold av elektroverktøy.
  - f. **Hold kutteverktøy skarpe og rene.** Godt vedlikeholdte skjæreverktøy med skarpe skjærekanter setter seg mindre sannsynlig fast og er lettere å kontrollere.
  - g. **Bruk elektroverktøyet, tilbehøret og verktøybits etc. i samsvar med disse instruksjonene og ta hensyn til arbeidsforhold og arbeidet som skal utføres.** Bruk av det elektriske verktøyet for oppgaver som er forskjellige fra de som er tiltenkt kan føre til en farlig situasjon.
  - h. **Hold håndtakene og gripeflatene tørre, rene og frie for olje og fett. Glatte håndtak og gripeflater forhindrer trygg håndtering og kontroll av verktøyet i uventede situasjoner.**
5. **Bruk og vedlikehold av batteridrevne verktøy**
    - a. **Du skal kun lade med en lader som er spesifisert av produsenten.** En lader som passer for en type batteripakke kan føre til risiko for brann dersom den brukes på en annen batteripakke.
    - b. **Bruk elektroverktøy bare sammen med spesifikt angitte batteripakker.** Bruk av andre batteripakker kan føre til risiko for personskade og brann.
    - c. **Når batteripakken ikke er i bruk, må du oppbevare den atskilt fra andre metallgjenstander som binders, mynter, nøkler, spiker, skruer eller andre små metallgjenstander som kan opprette en forbindelse fra en terminal til en annen.** Kortslutning av batteripolene mot hverandre kan føre til brannskader eller brann.
    - d. **Ved feilaktig bruk kan det komme væske ut av batteriet, unngå kontakt med den. Dersom du kommer i kontakt med den, skyll av med vann. Dersom du får væsken i øynene, søk legehjelp.** Væske som kommer ut av batteriet kan føre til irritasjon eller brannskader.
    - e. **Ikke bruk en batteripakke eller verktøy som er skadet eller modifisert.** Batterier som er skadet eller modifisert kan ha uventet oppførsel og føre til brann, eksplosjon eller personskader.
    - f. **Ikke utsett en batteripakke eller et verktøy for ild eller for høy temperatur.** Ild eller temperatur over 130 °C kan føre til en eksplosjon. MERK: Temperaturen "130 °C" kan erstattes av temperaturen "265 °F".

- g. **Følg alle anvisninger for lading og lad ikke batteripakken eller verktøyet ved temperaturer som avviker fra området spesifisert i bruksanvisningen.** Feilaktig lading eller lading ved temperaturer utenfor det angitte område kan skade batteriet og øker brannfaren.

## 6. Service

- a. **Elektroverktøyet skal repareres av kvalifisert personell og bare med originale reservedeler.** Dette sikrer at sikkerheten ved elektroverktøyet opprettholdes.
- b. **Utfør aldri vedlikehold på skadede batteripakker.** Vedlikehold av batteripakker skal kun utføres av produsenten eller autoriserte serviceverksteder.

## Generelle sikkerhetsadvarsler for motorsager



**Advarsel!** Ytterligere sikkerhetsadvarsler for motorsager

- ◆ **Hold alle deler av kroppen unna kjedet mens motorsagen er i bruk. Før du starter motorsagen, må du passe på at sagkjedet ikke er i kontakt med noe.** Et øyeblikks uoppmerksomhet under bruk av motorsagen kan føre til at klesplagg eller kroppsdeler vikles inn i eller på annen måte kommer i utilsiktet kontakt med motorsagen.
- ◆ **Hold alltid motorsagen med høyre hånd på bakre håndtak og venstre hånd på fremre håndtak.** Hvis motorsagen holdes på en motsatt måte, øker risikoen for personskade. Hold derfor alltid motorsagen som anbefalt.
- ◆ **Hold motorsagen bare i de isolerte gripeflatene, fordi motorsagen kan komme i kontakt med skjulte ledninger.** Hvis motorsager kommer i kontakt med en strømførende ledning, kan frittliggende metalldeleer på saken bli strømførende, og brukeren kan få elektrisk støt.
- ◆ **Bruk vernebriller. Annet personlig verneutstyr for hørsel, hode, hender, bein og føtter anbefales.** Tilstrekkelig verneutstyr vil redusere personskade fra flyvende rusk eller utilsiktet kontakt med sagkjedet.
- ◆ **Du må ikke bruke motorsagen når du er oppe i et tre, på en stige, på taket eller på en annen ustabil støtte.** Betjening av motorsagen på denne måten kan resultere i en alvorlig personskade.
- ◆ **Pass på at du alltid har et sikkert fotfeste. Bruk motorsagen bare når du står på et fast, sikkert og plant underlag.** Glatte eller ustabile overflater, for eksempel stiger, kan føre til at man mister balansen og kontrollen over motorsagen.
- ◆ **Når du kutter en gren som står i spenn, må du være oppmerksom på at den kan slå mot deg.** Når spennet i trefibrene frigjøres, kan grenen treffe operatøren og/eller slå motorsagen ut av kontroll.
- ◆ **Vær svært forsiktig ved kutting av kratt og busker.**

Tynt materiale kan bli fanget i sagkjedet og bli slengt mot deg eller rykke deg ut av balanse.

- ◆ **Motorsagen bæres etter fronthåndtaket, og skal være slått av og vendt bort fra kroppen. Ved transport eller oppbevaring av motorsagen skal dekslet for sverdet alltid være påmontert.** Riktig håndtering av motorsagen vil gi redusert sannsynlighet for utilsikket kontakt med sagkjedet i bevegelse.
- ◆ **Følg anvisningene for smøring, kjedespenning og utskifting av tilbehør.** Et kjede som ikke er strammet eller smurt på riktig måte, kan gå i stykker eller øke faren for tilbakeslag
- ◆ **Kutt bare i tre. Ikke bruk motorsagen til oppgaver den ikke er beregnet for. For eksempel: Ikke bruk motorsagen til å kutte plast, murverk eller byggematerialer som ikke er av tre.** Bruk av motorsagen til andre formål enn det som er angitt, kan føre til farlige situasjoner.
- ◆ **Ikke prøv å felle et tre før du har forstått risikoene og hvordan du unngår dem.** Alvorlige personskader kan oppstå på operatøren eller tilskuere mens du feller et tre.
- ◆ **Følg alle instruksjonene når du fjerner materiale som sitter fast, lagrer eller ved utføring av service av motorsagen.** Pass på at bryteren er av og batteripakken tatt av. Uventet oppstart av motorsagen når du fjerner materiale som sitter fast eller når du utfører service, kan resultere i alvorlig personskade.

### Ytterligere sikkerhetsadvarsler for elektroverktøy



**Advarsel!** Ytterligere sikkerhetsadvarsler for kompakte motorsager.

Bruksområdet er beskrevet i denne bruksanvisningen. Ikke bruk verktøyet til formål det ikke er beregnet for. For eksempel skal du ikke bruke verktøyet til å felle trær. Bruk av ethvert tilbehør eller ekstrautstyr, eller utføring av andre operasjoner med dette verktøy, enn det som er beskrevet i denne bruksanvisningen, kan gi risiko for personskader.

- ◆ **Bruk tettsittende og beskyttende klær og hjelm med visir/vernebriller, hørselvern, sklisikkert fotteøy, beskyttende snekkerbukser og kraftige lærhansker.**
- ◆ **Plasser deg alltid slik at du ikke står der grener faller ned.**
- ◆ **Trygg avstand mellom grener som skal kuttes og personer, bygninger og andre gjenstander, er minst 2,5 ganger grenens lengde.** Eventuelle personer, bygninger eller gjenstander innenfor denne avstanden risikerer å bli truffet av den fallende grenen.
- ◆ **Før felling av trær må du planlegge en sikker vei bort fra det fallende treet eller grenene.** Kontroller at det ikke er hindringer i veien som kan føre til at du ikke kommer deg unna. Husk at vått gress og nylig kuttet bark er glatt.

- ◆ **Pass på at det er noen andre i nærheten (men på sikker avstand) i tilfelle uhell.**
- ◆ **Du må ikke bruke verktøyet når du står i et tre, på en stige eller på noen annen ustabil overflate.**
- ◆ **Ha godt fotfeste og stå støtt hele tiden.**
- ◆ **Hold verktøyet fast med begge hender når motoren er i gang.**
- ◆ **En kjede i bevegelse må ikke komme i kontakt med noen gjenstander ytterst på sverdet.**
- ◆ **Begynn med kuttingen først når kjeden beveger seg med full hastighet.**
- ◆ **Ikke forsøk å skjære i et tidligere kutt. Lag alltid et nytt kutt.**
- ◆ **Se etter bevegelige grener eller andre krefter som kan avbryte en kutting, klemme kjeden eller falle ned på den.**
- ◆ **Forsøk ikke å kutte en gren med diameter som er større enn verktøyet's sagelengde.**
- ◆ **Ta alltid batteriet ut av verktøyet, og sett kjededekslet over kjeden når du oppbevarer eller transporterer verktøyet.**
- ◆ **Hold sagkjedet skarpt og tilstrekkelig strammet.** Sjekk strammingen regelmessig.
- ◆ **Slå av verktøyet, la kjeden stoppe, og ta ut batteriet av verktøyet før du utfører justering, behandling eller vedlikehold.**
- ◆ **Bruk bare originalreservedeler og -tilbehør.**
- ◆ **Hold håndtakene tørre, rene og fri for olje og fett.** Håndtak med fett eller olje er glatte og kan forårsake at du mister kontrollen.
- ◆ **Barkstøtten kan bli skarp i produktets levetid.** Behandle den med varsomhet.
- ◆ **Mens du håndterer produktet, kan sverdet bli varmt.** Behandle det med varsomhet.

### Årsaker til tilbakeslag og hvordan operatøren forhindrer dette

Tilbakeslag kan forekomme når spissen på sverdet kommer i kontakt med en gjenstand, eller når treverket "lukker seg" og kniper fast sagkjedet.

Når spissen kommer i kontakt med en gjenstand, kan det plutselig oppstå en motsatt reaksjon, som fører til at sverdet slås opp og bakover mot operatøren.

Hvis kjedet knipes fast langs øvre kant av sverdet, kan sverdet bli skjøvet fort bakover mot operatøren.

Begge disse reaksjonene kan føre til at du mister kontrollen over motorsagen, slik at det oppstår alvorlig personskade. Ikke stol blindt på motorsagens innebygde sikkerhetsinnretninger. Som bruker er det ditt ansvar å ta nødvendige forholdsregler for å unngå uhell og skader.

Tilbakeslag er et resultat av feil bruk av verktøyet og/eller feil brukerprosedyrer eller forhold, og kan unngås ved å ta riktige forholdsregler som forklart under:

- ◆ **Sørg for at du holder godt fast i sagen, med tommel og fingrer rundt håndtakene. Hold sagen med begge hender, og stå med kroppen og armene slik at du kan motstå tilbakeslagskrefter.** Tilbakeslagskrefter kan beherskes av operatøren hvis riktige forholdsregler tas. Ikke slipp tak i motorsagen.
- ◆ **Ikke strekk deg for langt, og ikke bruk sagen over skulderhøyde.** På denne måten kan du unngå utilsikket kontakt mellom spissen og gjenstander, og få bedre kontroll over motorsagen i uventede situasjoner.
- ◆ **Bruk bare erstatningssverd og -kjeder som produsenten har angitt.** Bruk av feil erstatningssverd og -kjeder kan føre til kjedebrudd og/eller tilbakeslag.
- ◆ **Følg produsentens anvisninger for sliping og vedlikehold av sagkjedet.** Lavere dybdemålerhøyde kan føre til mer tilbakeslag.
- ◆ At du strekker deg for langt. Pass på at du alltid har sikkert fotfeste og god balanse, og ikke strekk deg for langt.
- ◆ Ikke sett sagen inn i et tidligere laget kutt. Det kan føre til tilbakeslag. Lag et nytt kutt hver gang.
- ◆ Vi anbefaler på det sterkeste at du ikke bruker motorsagen mens du står i et tre, på en stige eller på andre ustabile underlag. Hvis du likevel bestemmer deg for dette, må du være oppmerksom på at slike stillinger er ekstremt farlige.
- ◆ Når du sager en gren som er spent, må du være oppmerksom på at den kan kastes tilbake, slik at den ikke slår bort deg når spenningen forsvinner.

#### Unngå å sage:

- ◆ Bearbeidet tømmer.
- ◆ I bakken.
- ◆ I ståltrådgjerd, spiker osv.
- ◆ I kratt og busker, fordi kvister og lignende kan komme inn i kjedet og slenges mot deg eller gjøre at du mister balansen.
- ◆ Ikke bruk motorsagen over skulderhøyde.
- ◆ Pass på at det er noen andre i nærheten (men på sikker avstand) i tilfelle uhell.
- ◆ Hvis du av en eller annen grunn må berøre sagkjedet, må du kontrollere at batteriet er tatt ut av motorsagen.
- ◆ Støyen fra dette produktet kan overskride 80 dB(A). Vi anbefaler derfor at du bruker egnet hørselvern

#### Anbefalte sikkerhetstiltak for motorsag

- ◆ Vi anbefaler på det sterkeste at personer som bruker kjedesag for første gang, får praktisk veiledning i bruk av sagen og personlig verneutstyr fra en erfaren bruker. Øvelsen bør bestå i å sage ved på en sagkrakk eller en annen form for holder.
- ◆ Vi anbefaler at du når du bærer motorsagen fjerner batteriet og sørger for at bremsen er på og sagkjedet vender bakover.
- ◆ Hold motorsagen i god stand når den ikke er i bruk. Ikke oppbevar motorsagen i lang tid uten først å fjerne kjedet og sverdet, som skal oppbevares nedsenket i olje. Lagre alle motorsagdeler på et tørt og sikkert sted utilgjengelig for barn.
- ◆ Vi anbefaler også å tappe oljen ut av oljetanken før sagen settes til oppbevaring.
- ◆ Sørg for å ha godt fotfeste, og ha alltid planlagt en sikker vei vekk fra stedet i tilfelle av fallende trær eller grener.
- ◆ Bruk kiler for å kontrollere bevegelsen til treet og forhindre at kjedet og sverdet blokkeres i treet.
- ◆ Vedlikehold av kjedet. Hold kjedet skarpt, og sørg for at det sitter tett rundt sverdet. Sørg for at kjedet og sverdet er rent og godt smurt med olje. Hold håndtakene tørre, rene og frie for olje og fett.

#### Tilbakeslag kan forårsakes av:

- ◆ At du utilsikket kommer borti grener eller andre gjenstander med spissen av sagen mens kjedet er i bevegelse.
- ◆ At du kommer borti metall, sement eller annet hardt materiale i nærheten av trevirket, eller som er skjult i trevirket.
- ◆ Et sløvt eller løst kjede.
- ◆ At du sager over skulderhøyde.
- ◆ At du ikke er oppmerksom nok når du holder i eller fører motorsag under saging.

#### Restrisikoer.

Når verktøyet brukes, kan det oppstå ytterligere risikoer som kanskje ikke er beskrevet i de medfølgende sikkerhetsadvarslene. Disse risikoene kan bli forårsaket av feil bruk, langvarig bruk osv.

Selv om de relevante sikkerhetsbestemmelsene blir fulgt, og sikkerhetstiltakene blir gjennomført, kan visse gjenværende risikoer ikke unngås. Disse inkluderer:

- ◆ Personskader forårsaket av roterende/bevegelige deler.
- ◆ Personskader som oppstår under skifte av deler, blader eller tilbehør.
- ◆ Personskader som forårsakes av langvarig bruk av et verktøy. Når du bruker et verktøy i lange perioder, må du sørge for å ta regelmessige pauser.
- ◆ Hørselskader.
- ◆ Helsefarer som skyldes innånding av støv som dannes når du bruker verktøyet (for eksempel under arbeid med tre, spesielt eik, bøk og MDF.)

#### Støy og vibrasjon

Vibrasjonsemissionsverdiene og støynivåene som er angitt under tekniske data og samsvarserklæring, er blitt målt i henhold til en standard testmetode som er angitt i EN 62841, og kan brukes til å sammenligne et verktøy med et annet. Den oppgitte vibrasjonsemissionsverdien og støynivåene kan også brukes til en foreløpig vurdering av eksponering.



**Advarsel!** Vibrasjonsemissionsverdien og støynivåene under faktisk bruk av elektroverktøyet kan avvike fra den oppgitte verdien avhengig av måten verktøyet blir brukt på. Vibrasjonsnivået kan øke over nivået som er oppgitt.

Når det vurderes vibrasjonseksponering for å avgjøre hvilke sikkerhetstiltak som kreves ifølge 2002/44/EF, for å beskytte personer som bruker elektroverktøy regelmessig til arbeidsformål, skal det, når vibrasjonseksponeringen anslås, tas hensyn til de faktiske bruksforholdene og måten verktøyet blir brukt på. Dette inkluderer å ta hensyn til alle deler av brukssyklusen, for eksempel når verktøyet er avslått, når det går på tomgang og når utløseren er trykket inn.

### Merker på verktøyet

Følgende symboler vises på verktøyet sammen med datokoden:



**Advarsel!** Brukeren må lese håndboken for å redusere risikoen for personskade.



Ikke bruk sagen i våte omgivelser, ikke la den utsettes for regn.



Bruk alltid hodebeskyttelse, hørselsvern og beskyttelsesbriller.



Bruk alltid en støvmaske



Bruk alltid hansker.



Bruk alltid sklisikkert fottøy.



Hold alltid motorsagen med begge hender.



Vær oppmerksom på tilbakeslag av motorsagen og unngå kontakt med tuppen av sverdet.



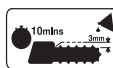
Ikke bruk motorsagen med bare en hånd



Skru verktøyet av. Før du utfører vedlikehold på verktøyet, må du fjerne batteriet fra verktøyet.



Vær oppmerksom på fallende gjenstander. Hold andre personer unna



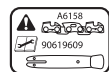
Du sikrer kontinuerlig sikker bruk ved å kontrollere kjedestrammingen hvert 10. minutt og justere tilbake til klaring på 3 mm etter behov – som beskrevet i denne bruksanvisningen. Smør kjedet med olje hvert 10. minutt under bruk.



**Advarsel!** Ikke berør kjedet ved sponutslipp-spunktet



Kjedens bevegelsesretning.



Kjeden og sverdet må bare erstattes med originale STANLEY FATMAX-deler for å sikre varig trygg drift. Reservekjeden har delenummer A6158 og reservesverdet 90619609.



Direktiv 2000/14/EF garantert lydnivå.

### Ytterligere sikkerhetsinstruksjoner for batterier og ladere

#### Batterier

- ◆ Forsøk aldri å åpne av noen årsak.
- ◆ Ikke utsett batteriet for vann.
- ◆ Ikke utsett batteriet for varme.
- ◆ Ikke oppbevar det på steder hvor temperaturen kan komme over 40 °C.
- ◆ Skal bare lades ved omgivelsestemperaturer mellom 10 °C og 40 °C.
- ◆ Bruk bare ladere av typen som følger med apparatet/verktøyet. Hvis du bruker feil lader, kan dette føre til et elektrisk støt eller at batteriet overopphetes.
- ◆ Følg instruksene som finnes i avsnittet "Miljø" når du skal kaste batterier.
- ◆ Ikke skad eller deformer batteripakken ved punktering eller støt, da dette kan føre til risiko for personskade og brann.
- ◆ Ikke lad skadede batterier.

**Under ekstreme forhold kan batterilekkasje forekomme. Hvis du oppdager at det er væske på batteriene, tørker du bort væsken forsiktig med en klut. Unngå kontakt med huden.**

Hvis væsken kommer i kontakt med huden eller øynene, følger du instruksjonene under.

**Advarsel!** Batterivæsken kan føre til personskade eller skade på eiendom. Ved hudkontakt skyller du umiddelbart med vann. Hvis huden blir rød eller irritert eller smerter inntreffer, søk øyeblikkelig medisinsk hjelp. Hvis væsken kommer i kontakt med øynene, skyller du umiddelbart med rent vann og søker øyeblikkelig medisinsk hjelp.

## Ladere

**Advarsel!** Laderen er konstruert for en bestemt spenning. Kontroller alltid at nettspenningen er i overensstemmelse med spenningen på typeskiltet.

**Advarsel!** Ikke skift ut laderen med et vanlig nettstøpsel.

- ◆ STANLEY FATMAX-laderen skal bare brukes til å lade batteriet i apparatet som laderen kom sammen med. Andre batterier kan eksplodere og føre til personskader og materielle skader.
- ◆ Prøv aldri å lade ikke-oppladbare batterier.
- ◆ Hvis strømledningen blir skadet, må den skiftes av produsenten eller et autorisert Stanley-servicesenter så du unngår fare.
- ◆ Ikke utsett laderen for vann.
- ◆ Ikke åpne laderen.
- ◆ Ikke stikk gjenstander eller fingre inn i laderen.
- ◆ Laderen må plasseres på et sted med god gjennomlufting når det lades.

## Symboler på laderen

Du finner følgende symboler på laderen:



Laderen er bare beregnet for innendørs bruk.



Les denne håndboken før bruk.

## Elektrisk sikkerhet



Denne laderen er dobbeltisolert. Jording er derfor ikke nødvendig. Kontroller alltid at nettspenningen er i overensstemmelse med spenningen på typeskiltet. Ikke skift ut laderen med et vanlig nettstøpsel.

- ◆ Hvis strømledningen blir skadet, må den skiftes av produsenten eller et autorisert STANLEY FATMAX-servicesenter så man unngår fare.

## Funksjoner

1. PÅ-/AV bryter
2. Låsespak
3. Kjedefremse / front håndbeskyttelse
4. Sverd
5. Sagkjede
6. Kjedefjulingdeksel

7. Sverdetts låsemutter
8. Kjedefremmeskrue
9. Oljelokk
10. Indikator for oljenivå
11. Sverdslire
12. Håndtak bak
13. Fronthåndtak
14. Batteripakke
15. Festeknapp for batteriet
16. Sekskantnøkkel
17. Oppbevaring av sekskantnøkkel

## Montering

**Advarsel!** Fjern batteriet (14) fra verktøyet før montering.

### Lading av batteriet (figur A)

Batteriet må lades før første gang det brukes, og hver gang det ikke lenger gir nok strøm til oppgaver som tidligere ble utført uten problemer. Batteriet kan bli varmt under lading. Dette er normalt og innebærer ikke feil.

**Advarsel!** Ikke lade batteriet ved temperaturer under 10 °C eller over 40 °C. Anbefalt ladetemperatur: omtrent 24 °C.

**Merk:** Laderen vil ikke lade et batteri hvis celledemperaturen er under ca. 10 °C eller over 40 °C.

Batteriet bør bli stående i laderen og laderen vil starte automatisk lading når celledemperaturen stiger eller synker igjen.

- ◆ For å lade batteriet (14), sett det inn i laderen (18). Batteriet kan bare settes i laderen ene veien. Ikke bruk kraft. Pass på at batteriet sitter helt inne i laderen.
- ◆ Plugg i laderen og slå på ved å koble til nettstrøm.

Ladeindikatoren (18a) vil blinke.

Ladingen er fullført når ladeindikatoren (18a) lyser kontinuerlig. Laderen og batteriet kan være koblet til uten tidsbegrensning. LED-lampen tennes når laderen av og til "fyller på" batteriladningen.

- ◆ Lad utladete batterier innen 1 uke. Batterienes levetid blir mye kortere hvis de oppbevares utladet.

## Lader LED-moduser

	<b>Lading:</b> Grønn LED blinker	
	<b>Fullladet:</b> Grønn LED lyser	
	<b>Ventetid for varm/kald pakke:</b> Grønn LED blinker Rød LED lyser	

**Merk:** Kompatible ladere vil ikke lade en defekt batteripakke. Laderen vil indikere en batteripakke ved at den ikke lyser.

**Merk:** Dette kan også tyde på et problem med laderen. Dersom laderen indikerer et problem, ta med lader og batteripakke til et servicesenter for testing.

### La batteriet være i laderen

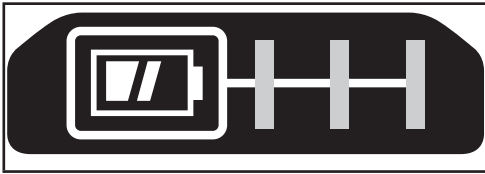
Laderen og batteripakken kan forbli tilkoblet med lysende LED i ubegrenset tid. Laderen holder batteripakken fulladet og klar til bruk.

### Varm/kald pakkeforsinkelse

Når laderen oppdager et batteri som er for varmt eller for kaldt, vil den automatisk starte ventetid for varm/kald pakke, og det grønne LED-lyset (18a) vil blinke, mens det røde LED-lyset (8b) vil lyse kontinuerlig og stoppe ladingen inntil batteriet når riktig temperatur. Laderen vil deretter automatisk skifte til lademodus for pakken. Denne funksjonen sikrer maksimal levetid på batteriet.

### Batteriets ladeindikator (figur B)

Batteriet er utstyrt med en ladeindikator slik at man raskt kan se batterilevetiden som vist i figur B. Ved å trykke ladeindikatorknappen (14a) kan du enkelt se gjenværende batterilevetid som illustrert i figur B.



### Montering og fjerning av batteripakken (fig. L)

**Advarsel!** Kontroller at verktøyet står i posisjon "av" før batteripakken settes inn.

**Merk:** For best resultat, pass på at batteripakken er helt oppladet før bruk.

- ◆ For å installere batteripakken (14) i verktøyet's håndtak, juster batteripakken med sporene inne i arbeidslampens håndtak, og sett den inn i håndtaket til batteripakken sitter fast i verktøyet, pass på at det ikke sitter løst.
- ◆ For å fjerne batteripakken fra verktøyet, trykk på batteripakkens utløserknapp (15) og dra batteripakken bestemt ut av verktøyet. Sett batteri i laderen som beskrevet i lader-avsnittet i denne bruksanvisningen.

### Installere sverdet og sagkjedet (fig. D-H)

**Advarsel!** Skarpt kjede. Bruk alltid vernehansker når du setter på eller tar av sagkjedet. Sagkjedet er skarpt og kan kutte deg selv om det ikke er i bevegelse.

**Advarsel!** Skarpt, bevegelig kjede. For å forhindre utilsiktet start, skal du forsikre deg om at batteriet er fjernet fra verktøyet før du utfører de følgende handlingene. Hvis du ikke gjør dette, kan det føre til alvorlig personskade.

Dersom sagkjedet (5) og sverdet (4) leveres separat pakket, må kjedet festes på sverdet, og begge deler deretter settes på kroppen på verktøyet.

- ◆ Plasser sagen på et flatt, solid underlag.
- ◆ Rotér låsemutteren til sverdet (7) mot klokken med skiftenøkkelen (16), som følger med.
- ◆ Fjern kjedehjuldekslet (6), og låsemutrene til sverdet (7).
- ◆ Bruk vernehansker og grip sagkjedet (5), og legg det rundt sverdet (4), og forsikre deg om at tennene peker i korrekt retning (fig. H).
- ◆ Forsikre deg om at kjedet er riktig satt i sporet rundt hele sverdet.
- ◆ Plasser sagkjedet rundt kjedehjulet (19). Rett inn sporet i sverdet med kjedets strammepinne (20) og bolten (21) nederst på verktøyet som vist i fig. E.
- ◆ Når den er på plass, kan du skifte ut kjedehjuldekslet (6). Installer bakenden av kjedehjuldekslet først, roter det ned og pass på at bolthullet på dekslet er på linje med bolten (21) på huset.
- ◆ Montér sverdets låsemutter (7) og roter med klokken med skiftenøkkelen (16) som følger med til de sitter fast, deretter løsner du mutteren en hel omdreining slik at sagkjedet kan strammes ordentlig.
- ◆ Roter kjedets strammeknott (8) med klokken for å øke stramningen som vist på fig. D. Forsikre deg om at sagkjedet (5) klemmer rundt sverdet (4). Trekk til sverdets låsemutter (7) til den sitter.
- ◆ Følg instruksjonene i avsnittet Justere kjedestramming.

### Justere kjedestrammingen (fig. D-H)

**Advarsel!** Feil sagkjedespenning kan føre til at det løsner fra sverdet og kan føre til alvorlig personskade eller død.

**Merk:** Sagkjedestrammingen bør justeres regelmessig før hver bruk.

- ◆ Med sagen på en stødig overflate, sjekker du sagkjedets (5) stramming. Spenningen er korrekt når kjedet spretter tilbake etter å ha blitt dratt (3 mm) vekk fra sverdet (4) med lett kraft fra langfingeren og tommelen som vist på fig. F. Det skal ikke være "sig" mellom sverdet og kjedet på undersiden som vist på fig. G.
- ◆ For å justere kjedestrammingen, løsner du sverdlåsemutrene (7).
- ◆ Dreie kjedestrammeskruen (8) foran i huset med den flate skrujernedelen av sekskantnøkkelen (16).
- ◆ Kontroller kjedestrammingen, juster om nødvendig.
- ◆ Ikke stram til kjedet for mye. Dette vil føre til uforholdsmessig stor slitasje og redusere levetiden til sverdet og sagkjedet. Overstramming reduserer også mengden kutt du vil få per batterilading.
- ◆ Når kjedestrammingen er korrekt, trekk til sverdlåsemutteren (7) til den sitter. Trekk til sverdets låsemutter (7) (8 Nm).

- ◆ Et nytt kjede vil strekke seg litt i løpet av de første brukstimerne. Det er viktig å sjekke spenningen ofte (etter at du har koblet fra batteriet, fjern batteripakken) i løpet av de to første timene med bruk.

### Skifte ut sagkjedet (fig. D-H)

**Advarsel!** Skarpt, bevegelig kjede. For å forhindre utilsiktet start, skal du forsikre deg om at batteriet er fjernet fra verktøyet før du utfører de følgende handlingene. Hvis du ikke gjør dette, kan det føre til alvorlig personskade.

**Forsiktig:** Skarpt kjede. Bruk alltid vernehansker når du setter på eller tar av sagkjedet. Sagkjedet er skarpt og kan kutte deg selv om det ikke er i bevegelse.

**Forsiktig:** Kjedefastigheten til dette produktet er 8.6 m/s.

Bruk kun kjeder som er vurdert til høyere enn 8.6 m/s.

- ◆ Plasser saken på et flatt, solid underlag.
- ◆ Fjern kjedehjuldekslet (6), som beskrevet i avsnittet Installere sverdet og sagkjedet.
- ◆ For å fjerne sagkjedet (5), roter kjedestrammeskruen (8) foran i huset med den flate skrujern delen av nøkkelen. Dreier skruen mot klokken for å la sverdet (4) trekke seg tilbake og redusere stramningen i sagkjedet så det kan tas av.
- ◆ Bruk hansker og grip i sagkjedet og løft av det slitte sagkjedet fra sporet i sverdet.
- ◆ Snu rundt sverdet hver gang du skifter kjede for å sikre jevn slitasje.
- ◆ Legg det nye kjedet i sverdet's spor. Kontroller at sagkjedetennene vender i riktig retning ved å stille inn pilen på kjedet mot illustrasjonen på kjedehjuldekslet (6) som vist på fig. H.
- ◆ Følg instruksjonene for Installere sverdet og sagkjedet.

Reservekjede og -sverd er tilgjengelige på ditt nærmeste autoriserte servicesenter.

Denne motorsagen krever et nytt (304 mm) kjede.

Erstatning (304 mm) stang.

### Smøre sagkjede og sverd (fig. I)

#### Autooljesystem

Denne motorsagen er utstyrt med et automatisk oljesystem som holder sagkjedet og sverdet kontinuerlig smurt.

Oljenivåindikatoren (10) viser nivået av olje i motorsagen. Hvis oljenivået er mindre enn en fjerdedel full, må du fjerne batteriet fra motorsagen og fylle på oljebeholderen med korrekt oljetype.

Du skal alltid tømme oljetanken når du er ferdig med å kutte. Tøm alltid oljetanken før du setter denne enheten til lagring.

**Merk:** Ikke bruk denne motorsagen uten olje.

**Merk:** Bruk et høykvalitets, bionedbrytbar olje for sverd og kjede for skikkelig smøring. Ved beskjæring av trær, anbefales det en vegetabilisk olje for smøring av sverd og kjede, siden mineralolje kan skade levende trær.

Bruk aldri skitten, brukt eller kontaminert olje. Det kan føre til skade på verktøyet.

### Fylle oljebeholderen

- ◆ Skru av mot klokken og deretter fjern oljelokket (9). Fyll tanken med den anbefalte sverd- og kjedeoljen til oljenivået har nådd toppen til oljenivåindikatoren (10).
- ◆ Sett oljelokket på igjen og trekk til med klokken.
- ◆ Skru av motorsagen periodevis og sjekk oljenivåindikatoren for å sikre at sverdet og kjedet får oljesmøring. Skru av motorsagen periodevis og sjekk oljenivåindikatoren for å sikre at sverdet og kjedet får oljesmøring.

### Transport av motorsagen (fig. J)

- ◆ Slå alltid apparatet av, fjern batteriet og dekk sverdet (4) med sverdsliren (11) når du transporterer saken.

### Bruk

**Advarsel!** For å redusere faren for alvorlige personskader, slå av apparatet og fjern batteripakken før du gjør justeringer eller tar av/setter på tilbehør eller ekstrautstyr. Utilsiktet oppstart kan føre til personskader.

### Korrekt plassering av hendene (fig. K)

**Advarsel!** For å redusere faren for alvorlig personskade, skal du alltid ha hendene i korrekt posisjon, som vist.

**Advarsel!** For å redusere faren for alvorlig personskade, skal du alltid holde godt fast i tilfelle en kraftig reaksjon. Riktig håndstilling er å ha venstre hånd på fronthåndtaket (13), og høyre hånd på det bakre håndtaket (12).

### Bruke motorsagen (fig. K)

**Advarsel!** Les og forstå alle anvisninger. Manglende overholdelse av instruksjonene listet opp nedenfor kan resultere i elektrisk støt, brann og/eller alvorlig personskade.

- ◆ Beskyttelse mot tilbakeslag som kan føre til alvorlig personskade eller død. Se generelle sikkerhetsadvarsler for elektriske verktøy og Generelle sikkerhetsadvarsler for motorsager, og årsaker, og Hvordan operatøren unngår tilbakeslag, og sikkerhetsfunksjoner for tilbakeslag, for å unngå risikoen for tilbakeslag.
- ◆ Ikke strekk deg for langt. Ikke kutt over brysthøyde. Forsikre deg om at du har godt fotfeste. Hold føttene fra hverandre for stadig stilling. Fordel vekten din på begge føtter.
- ◆ Bruk et fast grep med venstrehånden din på fronthåndtaket (13) og høyrehånden din på det bakre håndtaket (12) slik at kroppen din er til venstre av sverdet (4).
- ◆ Ikke hold motorsagen i kjedebremsen/ fronthåndbeskyttelsen (3). Hold albuen til venstre arm låst slik at venstre arm er rett og kan motstå tilbakeslag.

**Advarsel!** Du skal aldri bruke krysshåndsgrep (venstre hånd på bakre håndtak og høyre hånd på fremre håndtak).

**Advarsel!** Du skal aldri la noen del av kroppen være på linje med sverdet når du bruker motorsagen.

- ◆ Du skal aldri bruke den oppe i et tre, i en kinkig posisjon eller på en stige eller andre ustabile overflater. Du kan miste kontroll over sagen og forårsake alvorlig personskade.
- ◆ Ha motorsagen på full hastighet hele tiden du kutter.
- ◆ La sagkjedet kutte for deg. Utøv kun lett trykk. Ikke press på motorsagen på slutten av kuttet.

**Advarsel!** Du skal alltid ha på kjedebremsen og batteriene fjernet når sagen ikke er i bruk.

### Stille inn kjedebremsen (fig. K, L)

Motorsagen din er utstyrt med et bremsesystem for kjedet, som vil stoppe kjedet raskt i tilfelle tilbakeslag oppstår.

- ◆ Sørg for at kjedebremsen / den fremre håndbeskyttelsen (3) er i fremre posisjon.
- ◆ Sett batteripakken (14) inn i laderen.
- ◆ Trekk kjedebremsen / den fremre håndbeskyttelsen (3) mot fronthåndtaket (13) inn i «innstilt/klar»-posisjonen, som vist i fig. L.
- ◆ Verktøyet er nå klart til bruk.
- ◆ Sørg for at kjedebremsen / den fremre håndbeskyttelsen er i fremre posisjon etter bruk.
- ◆ Ta ut batteriet.

**Merk:** I tilfelle av tilbakeslag kommer din venstre hånd i kontakt med frontbeskyttelsen, skyver det forover, mot arbeidsstykket. Dette vil stoppe verktøyet.

### Teste kjedebremsen (fig. L)

Test kjedebremsen før bruk for å være sikker på at den virker skikkelig.

- ◆ Plasser sagen på et flatt, solid underlag. Forsikre deg om at sagkjedet (5) ikke tar i bakken.
- ◆ Hold verktøyet godt med begge hender og slå motorsagen på.
- ◆ Rotér venstre hånden din fremover rundt fronthåndtaket (13) slik at håndbaken din kommer i kontakt med kjedebremsen / fremre håndbeskyttelse (3) og skyv den forover, mot arbeidsstykket. Sagbladet skal stoppe umiddelbart.

**Merk:** Hvis sagen ikke stopper umiddelbart, skal du slutte å bruke verktøyet og ta det med til et autorisert servicesenter nær deg.

**Advarsel!** Pass på å sette på kjedebremsen før saging.

### På-/av-bryter (fig. M)

Hold sikkert fotfeste og grip motorsagen med begge hender med tommelen og fingre rundt begge håndtak.

- ◆ For å skru enheten på, trykk låsespaken (2) inn, vist i fig. M, og trykk på avtrekkerbyteren (1).

Du kan slippe låseknappen når verktøyet er i gang.

- ◆ For å holde verktøyet i gang må du holde avtrekkeren inntrykket. For å slå av verktøyet, slipp avtrekkeren.

### Sagkjedesliping (fig. N-P)

**Forsiktig:** Skarpt kjede. Bruk alltid vernehansker når du setter på eller tar av sagkjedet. Sagkjedet er skarpt og kan kutte deg selv om det ikke er i bevegelse.

**Advarsel!** Skarpt, bevegelig kjede. For å forhindre utilsiktet start, skal du forsikre deg om at batteriet er fjernet fra verktøyet før du utfører de følgende handlingene. Hvis du ikke gjør dette, kan det føre til alvorlig personskade.

**Merk:** Sagtennene på kjedet vil bli sløve med én gang dersom de berører bakken eller en spiker under bruk.

Hvis du vil ha best mulig ytelse fra motorsagen, er det viktig å holde kjedetennene skarpe. Følg disse tipsene for skikkelig sagkjedesliping:

- ◆ For best mulig resultat skal du bruke en 4,5 mm fil og filholder eller filstyring for å slipe sagkjedet. Dette vil forsikre deg korrekt slipevinkel.
- ◆ Plasser filholderen flatt på topplaten og dybdemåleren til kutteren.
- ◆ Hold den korrekte topplaten (22) filvinkellinjen på 30 ° på filstyringen parallelt med kjedet (fil ved 60 ° fra kjedet sett fra siden) som vist.
- ◆ Slip eggene på en side av kjedet først. Fil fra innsiden av hver egg til utsiden. Snu sagen rundt og repeter prosessene (2, 3, 4) for eggen på den andre siden av kjedet.

**Merk:** Bruk en flat fil for å file toppen av tennene (delen av leddet foran eggen) slik at de ligger omtrent (0,635 mm) under tuppen av eggen som vist nedenfor.

- ◆ Hold alle lengdene på eggene like som vist i fig. O.
- ◆ Hvis skade har oppstått på kromoverflaten på topplatene eller sideplatene skal du file til disse skadene er fjernet.

**Forsiktig:** Etter filing vil kutteren være skarp. Vær ekstra forsiktig under denne prosessen.

**Merk:** Hver gang en kjede slipes, mister den noe av den lave tilbakeslagskvalitetene og du må være forsiktig. Det anbefales at kjedet ikke slipes mer enn fire ganger.

### Oppbevaring av sekskantnøkkel (fig. Q)

Når den ikke er i bruk, bør sekskantnøkkel (16) oppbevares i lagringsområdet for unbrakonøkkel (17) under verktøyet.

Trekk ut sekskantnøkkel fra oppbevaringsområdet for sekskantnøkler for å ta den ut.

Trykk sekskantnøkkel inn i oppbevaringsområdet for sekskantnøkler for å oppbevare den.

## Stanley Track Wall System (Fig. R,S)

**Advarsel!** For å redusere faren for alvorlige personskader, slå av apparatet og fjern batteripakken før du gjør justeringer eller tar av/setter på tilbehør eller ekstrautstyr. Utilisikket oppstart kan føre til personskader.

**Advarsel!** For å redusere risikoen for alvorlig personskade, ikke bruk et skadet Stanley Track Wall System integrert hengekrok eller Stanley Track Wall System. En skadet Stanley Track Wall System integrert hengekrok eller Stanley Track Wall System Trackwall tåler ikke vekten til verktøyet.

**Advarsel!** For å redusere faren for personskade, heng IKKE verktøy fra deg i beltekroken eller heng objekter fra hengekroken. KUN heng opp verktøyet på Stanley Track Wall System Trackwall med den integrerte hengekroken.

**Advarsel!** Stanley Track Wall System integrert hengekrok er beregnet på å montere verktøyet på en Stanley Track Wall System Trackwall-skinne.

Ikke bruk den integrerte hengekroken til å montere verktøyet på andre overflater.

**Advarsel!** Stanley Track Wall System integrert hengekrok er ikke en beltekrok.

**Advarsel!** Når du henger gjenstander på en Stanley Track Wall System Trackwall-skinne, må du ha tilstrekkelig plass til verktøyene slik at de ikke overskrider 35 kg per lineære fot.

**Advarsel!** Før du bruker verktøyet, sørg for at Stanley Track Wall System integrert hengekrok er satt tilbake til sin opprinnelige posisjon.

**Viktig!** Stanley Track Wall System-tilbehør fester kompatible verktøy sikkert til Stanley Track Wall System.

Slå av verktøyet, fjern batteripakken og fjern tilbehørene. Installer sverdsliren (11) på sverdet (4).

**Forsiktig!** Ethvert produkt med synlige skjæretenner må dekkes skikkelig til hvis det skal være på Stanley Track Wall System Trackwall.

Monter den integrerte hengekroken (23) til Stanley Track Wall System Trackwall som vist i fig. R,S. Den klikker når den låses i posisjon.

**Merk:** Stanley Track Wall System-tilbehør for bruk med verktøyet kan kjøpes fra din lokale forhandler eller et autorisert servicesenter.

## Vanlige felleknikker

### Kløyving (fig. T, U)

Prosessen der du kutter ned et tre. Ikke fell trær i sterk vind.

**Advarsel!** Felling kan føre til personskader. Det skal kun utføres av en erfaren person.

En rømningsvei skal planlegges og klargjøres før kuttingen starter. Rømningsveien bør utvides bakover og diagonalt til baksiden av det forventede fallet, som vist under.

- ◆ Før du starter fellingen, skal du vurdere den naturlige leningen til treet, plasseringen til store grener og vindretningen for å vurdere hvilken vei treet vil falle.

Ha kiler (tre, plast eller aluminium) og en tung hammer for hånden. Fjern skitt, steiner, løs bark, spikre, stifter og ledninger fra treet du skal felle.

- ◆ Underkutt - Ta ut et hakk 1/3 av diameteren på treet, vinkelrett på ønsket fallretning. Foreta nedre horisontale kuttet først. Dette skal forhindre klemming av enten sagkjedet eller sverdet når det andre sporkuttet foretas, som vist under.
- ◆ Fellekutt - Fellekuttet skal sages inn minst 51 mm høyere en det horisontale sporkuttet. Hold fellekuttet parallelt til det horisontale kuttet. Foreta fellekuttet slik at nok treverk sitter igjen og virker som en hengsel. "Hengslet" vil forhindre treet i å vri seg og falle i feil retning. Ikke kutt gjennom hengslet, som vist under.
- ◆ Når fellekuttet kommer nærmere hengslen, skal treet begynne å falle. Hvis det er en sjanse for at treet faller i feil retning eller at det gynger tilbake og kiler fast sagkjedet, skal du stoppe å kutte før fellekuttet er fullstendig, og bruke kiler for å åpne kuttet og la treet falle i ønsket retning. Når treet begynner å falle, skal du fjerne motorsagen fra kuttet, stoppe motoren og sette ned motorsagen, og deretter bruke den planlagte rømningsveien. Vær oppmerksom på fallende grener og pass på fotfestet ditt.

## Kutting (fig. V)

Fjerne grener fra et felt tre. Når grener kuttet, skal store grener nederst stå igjen for å støtte stammen opp fra bakken. Fjern de små grenene i ett kutt. Grener under spenning skal kuttet fra bunnen av grenen mot toppen for å unngå fastkjøring av sagen som vist på fig. V. Trim grener fra motsatt side, hold trestammen mellom deg og sagen. Sag aldri med sagen mellom bena, eller stå overskrevet over grenen som skal sages.

## Kutting (fig. W, X, Y, Z)

**Advarsel!** Det anbefales at førstegangsbrukere øver seg på en sagkrakk først.

Kutte et felt tre eller kubbe i lengder. Hvordan du skal kutte, avhenger av hvordan stokken er støttet opp. Bruk en sagkrakk når det er mulig, som vist i fig. W.

- ◆ Begynn med kuttingen først når sagkjedet beveger seg med full hastighet.
- ◆ Plasser nedre tupp på motorsagen bak området til det første kuttet som vist på fig. W.
- ◆ Skru på motorsagen, roter så sagkjedet og sverdet ned i treet, ved å bruke tuppen som et hengsel.
- ◆ Når motorsagen når en 45 ° vinkel, skal du rette opp motorsagen igjen og gjenta trinnene til du har kuttet helt gjennom.
- ◆ Når treet støttes gjennom hele lengden fig. X, kan du kutte fra toppen (overkutt), men du skal unngå å kutte jord, da dette vil gjøre sagen sløv.

- ◆ Når den er støttet opp i en ende fig. Y først, kutter du først 1/3 av diameteren fra undersiden (underkutt). Deretter foretar du det siste kuttet ved å overkutte for å møte det første kuttet, som vist i fig. Y.
- ◆ Når den er støttet opp i en ende fig. Z først, kutter du først 1/3 av diameteren fra øverste overkuttet. Deretter gjør du det siste kuttet ved å underkutte den nedre 2/3 for å møte det første kuttet, som vist i fig. Z.

## Feilsøking

Problem	Mulig årsak	Mulig løsning
Verktøyet starter ikke	Låseknappen er ikke trykket inn.	Trykk på låseknappen.
	Batteri er ikke på plass	Sett inn batteriet
	Batteriet er ikke ladet	Lad batteriet
	Batteriet sitter ikke som det skal	Ta ut batteriet og sett det inn igjen
Kjedet stopper ikke innen 2 sekunder når verktøyet slås av	Kjedestrammingen er for slapp	Kontroller kjedestrammingen
Sverd/kjede virker varme / ryker	Oljetanken er tom	Kontroller nivået i oljetanken
	Oljehullet er blokkert på sverdet	Rengjør oljehullene og rengjør rillen rundt kanten på sverdet.
	Kjedet er for stramt	Kontroller kjedestrammingen
	Tannhjulet på tuppen av sverdet trenger smøring	Smør tannhjulet på tuppen av sverdet
Motorsagen skjærer ikke bra	Kjedet satt på bak-frem	Kontroller/endre kjedets retning
		Skjerp kjedet
Motorsagen bruker ikke olje	Rusk i tanken	Tøm oljen av tanken og fyll på ny
	Oljehullet i lokket er blokkert	Fjern rusk fra hullet
	Rusk på sverdet	Fjern rusk og rengjør sverdet
	Rusk i oljeuttaket	Fjern rusk
Motorstopper plutselig under bruk	Batteri utladet	Kontroller batteriets oppladingsnivå ved å trykke på ladeindikatorknappen. Lad batteriet om nødvendig.
	Batteri for varmt	La batteriet kjøle i minst 30 minutter før du fortsetter eller lader.
	Strømgrensebeskyttelse	Start motorsagen på nytt. La verktøyet arbeide i sin egen hastighet. Det må ikke overbelastes.

## Vedlikehold

Regelmessig vedlikehold sikrer lang levetid for verktøyet. Vi anbefaler at du foretar følgende sjekker regelmessig.

**Advarsel!** Før du utfører vedlikehold på elektroverktøy:

- ◆ Så av verktøyet og trekk støpselet ut av stikkkontakten.

## Oljenivå

Oljetanken må alltid være minst kvart full.

## Sagkjede og sverd

- ◆ Etter noen timers bruk og før oppbevaring, tar du av sverdet og sagkjedet og rengjør dem grundig.
- ◆ Sjekk at beskyttelsen er ren og fri for rusk.
- ◆ Smør tannhjulet og sverdet via tannhjulssmørehullene. Dette sikrer jevn fordeling av slitasje rundt sverdskinnene.

## Skjerpe kjedet

Hvis du vil ha best mulig ytelse fra verktøyet, er det viktig å holde kjedetennene skarpe.

Du finner mer informasjon om dette i skjerpesettet.

## Skifte utslitte sagkjeder

Nye sagkjeder kan fås hos forhandlere og autoriserte STANLEY FATMAX-serviceverksteder. Bruk alltid originale reservedeler.

## Kjedeskarpheit

Sagetennene på kjedet vil bli sløve med én gang hvis de berører bakken eller en spiker under bruk.

## Sagkjedestramming

Sjekk sagkjedestrammingen regelmessig.

## Hva som skal gjøres hvis motorsagen må repareres?

Motorsagen er produsert i samsvar med relevante sikkerhetskrav. Reparasjoner må bare utføres av en kvalifisert person som benytter originale reservedeler, ellers kan det være svært farlig for brukeren. Vi anbefaler at du oppbevarer denne bruksanvisningen på et sikkert sted.

## Miljøvern



Separat innsamling. Produkter og batterier merket med dette symbolet skal ikke kastes i vanlig husholdningsavfall.

Produkter og batterier inneholder materialer som kan resirkuleres og redusere etterspørselen for råmaterialer. Resirkuler elektriske produkter og batterier i henhold til lover og regler. Mer informasjon finner du på [www.2helpU.com](http://www.2helpU.com)

## Tekniske data

		SFMCSS730
Spenning	V <sub>DC</sub>	18
Sverdlengde	mm	300
Kjedehastighet (uten belastning)	m/s	6,7
Maks. sagelengde	mm	250
Oljekapasitet	ml	150
Vekt	kg	2,51 (uten sagkjede, sverd, sverddeksel, olje, batteri)

Lader		SFMCB11	SFMCB12	SFMCB14
Inngangsspenning	V <sub>AC</sub>	230	230	230
Utgangsspenning	V <sub>DC</sub>	18	18	18
Strøm	A	1,25	2	4

Batteri		SFMCB201	SFMCB202	SFMCB204	SFMCB206
Spenn- ning	V <sub>DC</sub>	18	18	18	18
Kapa- sitet	Ah	1,5	2,0	4,0	6,0
Type		Li-ion	Li-ion	Li-ion	Li-ion

Lydtryknivå i henhold til EN 62841:

L<sub>PA</sub> (lydtrykk) 87 dB(A), usikkerhet (K) 3 dB(A)

L<sub>WA</sub> (lydeffekt) 99 dB(A), usikkerhet (K) 1,6 dB(A)

Totale vibrasjonsverdier (triax vektorsum) bestemt i samsvar med EN 62841:

Vibrasjonsemissionsverdi (a<sub>v</sub>) 6,5 m/s<sup>2</sup>, usikkerhet (K) 1,5 m/s<sup>2</sup>

## EU-samsvarserklæring

MASKINDIREKTIVET



SFMCSS730 – Kompakt motorsag

STANLEY FATMAX erklærer at de produktene som er beskrevet under «Tekniske data» er i samsvar med: 2006/42/EF,

EN 62841-1:2015+A11:2022, EN 62841-4-1:2020, 2000/14/EC, Vedlegg V

LWA (målt lydeffektivnivå) 99 dB(A), usikkerhet (K) = 1,6 dB (A), LWA (garantert lydeffekt) 101 dB(A)

Disse produktene er også i samsvar med direktiv 2014/30/EU og 2011/65/EU.

For mer informasjon, kontakt STANLEY FATMAX på følgende adresse, eller se på baksiden av håndboken.

Undertegnede er ansvarlig for utarbeidelsen av den tekniske dokumentasjonen, og gir denne erklæringen på vegne av STANLEY FATMAX

*Patrick Diepenbach*

Patrick Diepenbach  
General Manager, Benelux  
Stanley FatMax,

Egide Walschaertsstraat 14-18  
2800 Mechelen, Belgia  
28/06/2023

## Garanti

STANLEY FATMAX er trygg på kvaliteten av produktene sine og tilbyr en 12 måneders garanti fra kjøpsdata. Denne garantierklæringen kommer i tillegg til dine lovbestemte rettigheter og er ikke i konflikt med disse. Garantien er gyldig innen områdene tilhørende medlemslandene i den Europeiske Union (EU), det Europeiske Frihandelsområdet (EFTA) og i Storbritannia.

For å ta garantien i bruk må kravet være i samsvar med kjøpsbetingelsene fra STANLEY FATMAX og du må vise kjøpskvittering til forhandleren eller til et autorisert serviceverksted. Betingelsene for STANLEY FATMAX 1 års garanti og adressen til din nærmeste autoriserte serviceverksted kan du finne på internett under [www.2helpU.com](http://www.2helpU.com), eller ved å kontakte ditt lokale STANLEY FATMAX kontor, adressen er angitt i denne bruksanvisningen. Besøk våre nettsider på [www.stanley.eu/3](http://www.stanley.eu/3) for å registrere ditt nye STANLEY FATMAX produkt og få oppdateringer om nye produkter og spesialtilbud.



## Tilsigtet brug

Din STANLEY FATMAX, SFMCCS730 kompakte kædesav er designet til lettere skæring og beskæring. Dette apparat er beregnet til erhvervsmæssige brugere og private ikke-erhvervsmæssige brugere.

## Sikkerhedsvejledning

### Generelle sikkerhedsadvarsler for elværktøj



**Advarsel!** Læs alle sikkerhedsadvarsler, instruktioner, illustrationer og specifikationer, der følger med elværktøjet. Manglende overholdelse af alle nedenstående instruktioner kan medføre elektrisk stød, brand og/eller alvorlige kvæstelser.

### Gem alle advarsler og instruktioner til fremtidig reference.

Begrebet "elværktøj", der benyttes i nedenstående advarsler, henviser til netdrevet elværktøj (med netledning) eller batteridrevet elværktøj (uden netledning).

#### 1. Sikkerhed i arbejdsområdet

- Hold arbejdsområdet rent og godt belyst.** Rodede eller mørke områder giver anledning til ulykker.
- Brug ikke elværktøj i eksplosive omgivelser, f.eks. hvor der er brændbare væsker, gasser eller støv.** Elektrisk værktøj danner gnister, som kan antænde støv eller dampe.
- Hold børn og andre personer i nærheden på afstand, når der arbejdes med elværktøj.** Distractioner kan få dig til at miste kontrol.

#### 2. Elektricitet og sikkerhed

- Elværktøjsstik skal passe til stikkontakten. Stikket må på ingen måde modificeres. Brug ikke adapterstik med jordforbundne (tilsluttede) elværktøjer.** Ikke-modificerede stik og tilsvarende stikkontakter reducerer risikoen for stød.
- Undgå kropskontakt med jordforbundne overflader såsom rør, radiatorer, komfurer og køleskabe.** Der er en forøget risiko for elektrisk stød, hvis din krop får jordforbindelse.
- Elværktøjer må ikke udsættes for regn eller fugt.** Hvis der trænger vand ind i et elektrisk værktøj, øges risikoen for elektrisk stød.
- Pas på, at ledningen ikke beskadiges.** Ledningen må aldrig bruges til at bære, trække eller frakoble elværktøjet. Hold ledningen væk fra varme, olie, skarpe kanter eller dele i bevægelse. Beskadigede eller sammenflettede ledninger øger risikoen for stød.
- Hvis elværktøj benyttes i det fri, skal der benyttes en forlængerledning, som er godkendt til udendørs brug.**

Brug af en ledning, der er egnet til udendørs brug, reducerer risikoen for elektrisk stød.

- Brug en strømkilde med fejlstrømsrelæ, hvis det er nødvendigt at anvende elværktøj på fugtige steder.** Ved at benytte en fejlstrømsafbryder reduceres risikoen for elektrisk stød.

#### 3. Personssikkerhed

- Vær opmærksom, hold øje med, hvad du laver og brug elværktøjet fornuftigt. Betjen ikke værktøjet, hvis du er træt, påvirket af narkotika, alkohol eller medicin.** Et øjeblik uopmærksomhed under anvendelse af et elektrisk værktøj kan forårsage alvorlige kvæstelser.
- Anvend personligt beskyttelsesudstyr. Anvend altid øjenbeskyttelse.** Det er muligt at reducere risikoen for kvæstelser ved alt efter omstændighederne at anvende det passende sikkerhedsudstyr såsom en støvmaske, skridsikre sikkerhedssko, sikkerhedshjelm eller høreværn.
- Træf forholdsregler, så utilsigtet start ikke er mulig. Sørg for, at kontakten er i sluk-position, inden du tilslutter strømkilden og/eller batteripakken, tager værktøjet op eller bærer det.** Hvis du bærer elværktøj med din finger på kontakten eller strømfører elværktøj, der har kontakten tændt, kan der nemt ske ulykker.
- Fjern indstillingsnøgle eller skruenøgle, inden elværktøjet startes.** En skruenøgle eller anden nøgle, der bliver givende på en roterende del af elektrisk værktøj, kan give anledning til personskaade.
- Stræk dig ikke for langt. Hold hele tiden en god fodstilling og balance.** Dette gør, at du har bedre kontrol over det elektriske værktøj, når uventede situationer opstår.
- Klæd dig ordentligt på. Bær ikke løst tøj eller smykker. Hold hår, tøj og handsker væk fra dele i bevægelse.** Løstsiddende tøj, smykker eller langt hår kan blive fanget i bevægelige dele.
- Hvis der kan monteres støvudsugnings- og opsamlingsudstyr, skal dette tilsluttes og benyttes korrekt.** Brug af støvopsamling kan reducere støvrelaterede farer.
- Lad ikke kendskab opnået gennem hyppig brug af værktøjer lade dig blive for tilbagelænet og ignorere principper for værktøjsikkerhed.** En uforsigtig handling kan forårsage alvorlig personskaade på en brøkdæl af et sekund.

#### 4. Brug og vedligeholdelse af elværktøj

- Overbelast ikke elværktøjet. Brug det korrekte elværktøj til dit arbejde.** Det korrekte elværktøj klarer opgaven bedre og mere sikkert med den effekt, som det er konstrueret til.
- Brug ikke elværktøjet, hvis afbryderkontakten er defekt.**

Ethvert elværktøj, der ikke kan kontrolleres med kontakten, er farligt og skal repareres.

- c. **Tag stikket ud af strømkilden og/eller batteripakken ud af elværktøjet, inden du foretager justeringer, udskifter tilbehør eller opbevarer elværktøjer.** Disse forebyggende sikkerhedsforanstaltninger reducerer risikoen for at starte elværktøj ved et uheld.
  - d. **Opbevar elektrisk værktøj uden for rækkevidde af børn, og tillad ikke personer, som ikke er bekendt med elværktøjet eller disse anvisninger, at betjene elværktøjet.** Elværktøjer er farlige i hænderne på uøvede brugere.
  - e. **Elværktøj skal vedligeholdes. Kontroller, om bevægelige dele er skæve og ikke sidder fast, og om delene er brækket eller beskadiget, så elværktøjets funktion påvirkes.** Hvis de beskadiges, skal elværktøjet repareres inden brug. Mange ulykker skyldes dårligt vedligeholdte elværktøjer.
  - f. **Hold skæreværktøjer skarpe og rene.** Ordentligt vedligeholdet skæreværktøj med skarpe skærekanter har mindre tilbøjelighed til at binde og er lettere at styre.
  - g. **Brug elværktøjet, tilbehøret, værktøjsindsatser osv. i overensstemmelse med disse instruktioner under hensyntagen til arbejdsforholdene og arbejdet, der skal udføres med værktøjet.** Brug af elektrisk værktøj til andre opgaver end dem, det er beregnet til, kan resultere i en farlig situation.
  - h. **Hold håndtagene og håndtagsfladerne tørre, rene og fri for olie og fedt. Glatte håndtag og gribeflader giver ikke en sikker håndtering og kontrol af værktøjet i uventede situationer.**
5. **Brug og pleje af batteriværktøj**
    - a. **Genoplad kun med den oplader, som producenten har angivet.** En oplader, der passer til en type batteripakke, kan udgøre en risiko for brand, når den bruges til en anden type.
    - b. **Elværktøj må kun bruges med batteripakker, der er beregnet hertil.** Brugen af andre batteripakker kan medføre personskade og brand.
    - c. **Når batteripakken ikke er i brug, skal den holdes på afstand af andre metalgenstande, f.eks. papirclips, mønter, nøgler, søm, skruer og andre små metalgenstande, som kan skabe forbindelse mellem de to poler.** Kortslutning af batteriet kan forårsage forbrændinger eller brand.
    - d. **Under grove forhold kan væske sive ud fra batteriet; undgå kontakt. Hvis der opstår kontakt ved et uheld, skyl med vand. Hvis væske kommer i kontakt med øjne, bør der derudover søges lægehjælp.** Væske fra batteriet kan forårsage irritation eller forbrændinger.
    - e. **Anvend ikke en batteripakke eller et værktøj, der er beskadiget eller ændret.**

Beskadigede eller modificerede batterier kan udvise uforudsigelig adfærd, hvilket kan resultere i brand, eksplosion eller risiko for personskade.

- f. **Udsæt ikke en batteripakke eller et værktøj for ild eller meget varme temperaturer.** Udsættelse for ild eller temperaturer over 130 °C kan medføre en eksplosion. BEMÆRK: Temperaturen „130 °C“ kan erstattes af temperaturen „265 °F“.
  - g. **Følg alle opladningsinstruktionerne og oplad ikke batteripakken eller værktøjet uden for det temperaturområde, der er anført i instruktionerne.** Forkert opladning eller opladning ved temperaturer uden for det specificerede område kan beskadige batteriet og øge risikoen for brand.
6. **Service**
    - a. **Lad kun fagkyndige personer reparere elværktøjet og benyt kun originale reservedele.** Derved sikres det, at værktøjets driftssikkerhed opretholdes.
    - b. **Udfør aldrig service på beskadigede batteripakker.** Service på batteripakker bør kun udføres af producenten eller autoriserede udbydere (bruges kun til batteriværktøjer).

## Generelle sikkerhedsadvarsler for kædesave



**Advarsel!** Yderligere sikkerhedsadvarsler for kædesave

- ◆ **Hold alle dele af kroppen væk fra savkæden, når kædesaven anvendes. Før du starter kædesaven, skal du sikre dig, at savkæden ikke er i kontakt med noget.** Få sekundær uopmærksomhed ved brugen af kædesave kan medføre, at dit tøj eller din krop kommer i kontakt med kædesaven.
- ◆ **Hold altid kædesaven med højre hånd på det bageste håndtag og venstre hånd på det forreste håndtag.** Hold aldrig kædesaven med hænderne placeret omvendt, da dette øger risikoen for personskade.
- ◆ **Hold kun i kædesavens isolerede gribeflader, da savkæden kan komme i kontakt med skjulte ledninger.** Hvis savkæden kommer i kontakt med en strømførende ledning, bliver kædesavens blotlagte dele strømførende, så brugeren får stød.
- ◆ **Bær beskyttelsesbriller. Det anbefales at benytte yderligere beskyttelsesudstyr til hørese, hoved, hænder, ben og fødder.** Tilstrækkeligt beskyttende udstyr mindsker personskaden i tilfælde af flyvende materiale eller kontakt med savkæden ved et uheld.
- ◆ **Betjen ikke en kædesav i et træ, på en stige, fra et tag eller på en ustabil støtte.** Hvis du betjener en kædesav på denne måde, kan det resultere i alvorlig personskade.

- ◆ **Sørg altid for at have et godt fodfæste, og brug kun kædesaven, når du står på en fast, solid og jævn overflade.** Glatte eller ustabile overflader som f.eks. stiger kan medføre, at du mister balancen eller kontrollen med kædesaven.
- ◆ **Ved savning i en stammedel, der står under spænding, skal du være opmærksom på eventuel tilbagefjedring.** Når spændingen i træfibrene udløses, kan den fjederbelastede stammedel ramme brugeren og/eller bringe kædesaven ud af kontrol.
- ◆ **Udvis stor forsigtighed ved savning i småkviste og unge træer.** Det tynde materiale kan gribe fat i savkæden og blive slynget tilbage mod dig eller skubbe dig ud af balance.
- ◆ **Bær kædesaven i det forreste håndtag med kædesaven slukket og vendt bort fra kroppen. Monter altid sværddækslet ved transport eller opbevaring af kædesaven.** Korrekt håndtering af kædesaven mindsker risikoen for at komme i berøring med savkæden ved et uheld, mens den kører.
- ◆ **Følg instruktionerne vedrørende smøring, stramning af kæden og udskiftning af tilbehør.** Forkert strammede eller smurte kæder kan knække eller forøge risikoen for tilbageslag.
- ◆ **Sav kun i træ. Brug ikke kædesaven til formål, den ikke er beregnet til. For eksempel: brug ikke kædesaven til at save i plastik, murværk eller byggematerialer, som ikke er af træ.** Hvis kædesaven anvendes til andre formål, end den er beregnet til, kan der opstå farlige situationer.
- ◆ **Forsøg ikke at fælde et træ, før du har en forståelse for risiciene, og hvordan du undgår dem.** Operatøren og tilskuere kan pådrage sig alvorlig personskade under fældningen af et træ.
- ◆ **Følg alle instruktioner, når du fjerner fastklemt materiale, opbevarer eller foretager service på motorsaven. Sørg for, at afbryderen er slukket, og batteripakken er taget ud.** Uventet aktivering af kædesaven under fjernelse af det fastsiddende materiale eller servicering kan resultere i alvorlig personskade.
- ◆ **Brug tætsiddende og beskyttende tøj samt en sikkerhedshjelm med visir/sikkerhedsbriller, høreværn, skridsikket fodtøj, beskyttende smækkbukser og kraftige læderhandsker.**
- ◆ **Stå altid på en sådan måde, at du er i sikkerhed for faldende grene.**
- ◆ **Sikkerhedsafstanden mellem en gren, der skal skæres ned, og omkringstående personer, bygninger og andre genstande skal være mindst 2 1/2 gange grenens længde.** Omkringstående personer, bygninger eller genstande inden for denne afstand risikerer at blive ramt af den nedfaldende gren.
- ◆ **Planlæg en sikker flugtvej fra faldende grene.** Kontroller, at undvigeruten er fri for hindringer, der kan forhindre eller hæmme bevægelsesfriheden. Husk, at vådt græs og nyskåret bark er glat.
- ◆ **Sørg for, at der står en anden person i nærheden (men i sikker afstand), hvis der skulle ske et uheld.**
- ◆ **Brug ikke værktøjet, mens du står i et træ, på en stige eller på en anden ustabil flade.**
- ◆ **Hold hele tiden en god fodstilling og balance.**
- ◆ **Hold godt fast i værktøjet med begge hænder, når motoren kører.**
- ◆ **Lad ikke den kørende kæde komme i kontakt med genstande ved spidsen af sværdet.**
- ◆ **Påbegynd først savningen, når kæden bevæger sig med fuld hastighed.**
- ◆ **Forsøg ikke at sætte saven i et tidligere snit.** Lav et nyt snit hver gang.
- ◆ **Pas på grene, der flytter sig, eller andre kræfter, der kan lukke savsporet og klemme eller falde ind i kæden.**
- ◆ **Forsøg ikke at save en gren over, hvis diameter er større end værktøjets skærelængde.**
- ◆ **Fjern altid batteriet fra værktøjet, og monter kædebeskytteren over kæden, når værktøjet opbevares eller transporteres.**
- ◆ **Hold savkæden skarp og korrekt strammet.** Kontroller stramningen regelmæssigt.
- ◆ **Sluk værktøjet, lad kæden stoppe, og tag batteriet ud af værktøjet, før du foretager justeringer, service eller vedligeholdelse.**
- ◆ **Brug kun originale reservedele og tilbehør.**
- ◆ **Hold håndtagene tørre, rene og fri for olie og fedt.** Fedtede håndtag er glatte og kan forårsage, at du mister kontrollen over maskinen.
- ◆ **Den takkede kant kan blive skarp i løbet af produktets levetid.** Vær forsigtig med ved omgang med dette.
- ◆ **Sværdet kan blive varmt, når produktet anvendes.** Vær forsigtig med ved omgang med dette.

### Yderligere sikkerhedsadvarsler for elværktøj



**Advarsel!** Yderligere sikkerhedsadvarsler for kompakte kædesave.

Den tilsigtede anvendelse er beskrevet i denne betjeningsvejledning. Brug ikke værktøjet til andre formål end de tiltænkte; brug f.eks. ikke værktøjet til træfældning. Brugen af ekstraudstyr eller tilbehør eller udførelse af opgaver med værktøjet ud over de i brugervejledningen anbefalede kan medføre risiko for personskade.

### Årsager til og undgåelse af tilbageslag (kickback)

Tilbageslag kan forekomme, når spidsen af sværdet berører en genstand, eller når træet lukkes sammen, så savkæden kommer i klemme i snittet.

Kontakt på spidsen kan forårsage en pludselig modsat reaktion, så sværdet slås opad og bagud mod brugeren. Fastklemning af savkæden oven på sværdet kan medføre, at sværdet skubbes hurtigt tilbage mod brugeren.

Begge disse reaktioner kan føre til, at du mister kontrollen med kædesaven, hvilket kan medføre alvorlig personskade.

Du må ikke udelukkende forlade dig på de indbyggede sikkerhedsfunktioner i kædesaven. Som bruger af en kædesav skal du træffe en række forholdsregler for at undgå uheld eller personskade, når du arbejder.

Et tilbageslag (kickback) opstår som følge af forkert brug eller misbrug af værktøjet. Det kan undgås ved at tage nedenstående forholdsregler:

- ◆ **Hold godt fast, således at tommelfingeren og de øvrige fingre griber omkring håndtagene på kædesaven. Hold begge hænder på kædesaven, og placer kroppen og armen, så du kan modstå tilbageslagskraften.** Tilbageslagskræfterne kan kontrolleres af brugeren, hvis der træffes de nødvendige forholdsregler. Slip ikke kædesaven.
- ◆ **Ræk dig ikke for langt, og undlad at save over skulderhøjde.** Derved undgås berøring af spidsen ved et uheld, og du har bedre kontrol med kædesaven i uventede situationer.
- ◆ **Anvend kun udskiftningssværd og -kæder, som er godkendt af producenten.** Forkerte udskiftningssværd og -kæder kan medføre, at kæden knækker og/eller tilbageslag.
- ◆ **Følg producentens instruktioner vedrørende slibning og vedligeholdelse af savkæden.** Hvis dybdemålerens højde reduceres, forøges risikoen for tilbageslag.

### Sikkerhedsanbefalinger for kædesaven

- ◆ Vi anbefaler kraftigt, at førstegangsbrugere modtager praktisk vejledning i brugen af kædesaven og beskyttelsesudstyr fra en øvet bruger. Indledende øvelser bør udføres ved at save i stammer på en savbuk eller et stativ.
- ◆ Vi anbefaler, at du fjerner batteriet og sikrer dig, at savkæden vender bagud, når du bærer kædesaven.
- ◆ Kædesaven skal vedligeholdes, når den ikke er i brug. Kædesaven må ikke opbevares i længere tid, uden at savkæden og sværdet er afmonteret. Disse dele skal opbevares neddyppet i olie. Opbevar alle kædesavens dele på et tørt, sikkert sted uden for børns rækkevidde.
- ◆ Vi anbefaler, at du tømmer oliebeholderen, før kædesaven lægges til opbevaring.

- ◆ Sørg for, at du har et sikkert fodfæste, og planlæg en sikker flugtvej fra et faldende træ eller faldende grene, før savningen påbegyndes.
- ◆ Brug kiler til at hjælpe med at styre fældningen og forhindre, at sværdet og savkæden sætter sig fast i træet.
- ◆ Behandling af savkæden. Hold savkæden skarp og stram på sværdet. Sørg for, at savkæden og sværdet er rene og velsmurte. Sørg for, at håndtagene er tørre, rene og fri for olie og fedt.

### Der kan forekomme tilbageslag af følgende grunde:

- ◆ Hvis man rammer grene eller andre emner uforvarende med spidsen af saven, mens savkæden kører.
- ◆ Hvis man rammer metal, cement eller andre hårde materialer ved siden af eller indlejret i træet.
- ◆ En sløv eller løs kæde.
- ◆ Savning over skulderhøjde.
- ◆ Manglende opmærksomhed, mens man holder eller styrer den kørende kædesav.
- ◆ Udstrækning. Sørg for, at du altid har sikkert fodfæste og balance hele tiden, og stræk dig ikke for langt ud.
- ◆ Forsøg ikke at sætte saven i et tidligere snit. Dette kan medføre tilbageslag. Lav et nyt snit hver gang.
- ◆ Vi fraråder kraftigt at bruge kædesaven, når du står oppe i et træ, på en stige eller på en anden ustabil overflade. Hvis du gør dette, gør vi opmærksom på, at disse arbejdsstillinger er ekstremt farlige.
- ◆ Når du saver en gren, der er under spænding, skal du passe på, når den springer tilbage, at du ikke bliver ramt, når spændingen udløses.

### Undgå at save:

- ◆ Forarbejdet tømmer.
- ◆ I jord.
- ◆ I trådhegn, søm osv.
- ◆ I små kviste og unge træer, da det spinkle materiale kan gribe fat i savkæden og blive slynget mod dig eller skubbe dig ud af balance.
- ◆ Brug ikke kædesaven over skulderhøjde.
- ◆ Sørg for, at der står en anden person i nærheden (men i sikker afstand), hvis der skulle ske et uheld.
- ◆ Hvis du af en eller anden grund skal røre ved savkæden, skal du sørge for, at kædesaven er slukket, og at batteriet er taget ud.
- ◆ Støjen fra dette produkt kan overstige 80 dB(A). Vi anbefaler derfor, at du tager de relevante forholdsregler til beskyttelse af hørelsen

### Resterende risici.

Der kan opstå yderligere, tilbageværende risici under brugen af apparatet, som muligvis ikke behandles i de vedlagte sikkerhedsadvarsler. Disse risici kan opstå pga. forkert anvendelse, langvarig brug etc.

Selv ved overholdelse af relevante sikkerhedsforskrifter og anvendelse af sikkerhedsudstyr kan visse resterende risici ikke undgås. Disse omfatter:

- ◆ Tilskadekomst forårsaget af berøring af roterende/ bevægelige dele.
- ◆ Personskader forårsaget ved udskiftning af dele, klinger eller tilbehør.
- ◆ Tilskadekomst forårsaget af langvarig brug af et apparat. Husk at holde pause jævnlige ved brug af et apparat i længere tid.
- ◆ Hørenedsættelse.
- ◆ Sundhedsfarer forårsaget af indånding af støv, der udvikles under brug af dit værktøj (f.eks.: -arbejde med træ, især eg, bøg og MDF.)

## Støj og vibration

De angivne værdier for udsendelse af vibration og de(n) angivne værdi(er) for udsendelse af støj opført under de tekniske data og overensstemmelseserklæringen er målt i henhold til standardtestmetoden anført i EN 62841 og kan bruges til at sammenligne ét værktøj med et andet. De angivne værdier for udsendelse af vibration og de(n) angivne værdi(er) for udsendelse af støj kan også bruges i forbindelse med en foreløbig vurdering af eksponeringen.

**Advarsel!** Værdien for udsendelse af vibration og støj i forbindelse med den faktiske anvendelse af elværktøjet kan afvige fra den angivne værdi afhængig af metoden, hvormed værktøjet anvendes. Vibrationsniveauet kan overstige det angivne niveau.

Ved vurdering af vibrationseksponeringen til at fastlægge de sikkerhedsforanstaltninger, der kræves af 2002/44/EF for at beskytte personer, der regelmæssigt benytter elværktøj på arbejde, bør en vurdering af vibrationseksponeringen overveje de faktiske anvendelsesbetingelser og den måde, hvorpå værktøjet anvendes, herunder under hensyntagen til alle dele af driftscyklussen som f.eks. de tidspunkter, hvor værktøjet er slukket, og når det kører i tomgang, udover udløsningsstiden.

## Mærkatet på værktøjet

Værktøjet er forsynet med følgende piktogrammer sammen med en datokode:



**Advarsel!** Brugeren skal læse bruger-vejledningen for at reducere risikoen for kvæstelser.



Anvend ikke saven under våde forhold, og udsæt den ikke for regn.



Brug altid hovedbeskyttelse, høreværn og sikkerhedsbriller.



Bær altid en støvmaske



Bær altid handsker.



Bær altid skridsikret fodtøj.



Hold altid en kædesav godt med begge hænder.



Vær opmærksom på kædesavens tilbagelag, og undgå kontakt med spidsen af sværdet.



Brug ikke kædesaven med én hånd.



Slå strømmen fra. Tag batteriet ud af værktøjet, inden der foretages vedligeholdelse på værktøjet.



Vær opmærksom på faldende genstande. Personer i nærheden skal holdes på afstand



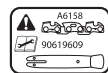
Kontrollér kædestramningen som beskrevet i denne vejledning for hver 10 minutters brug, for at sikre, at saven er sikker i brug, og juster til en afstand på 3 mm som påkrævet. Smør kæden for hver 10 minutters brug.



**Advarsel!** Rør ikke kæden ved spånudgangen



Kædens omløbsretning.



For at sikre konstant sikker drift må kæde og sværd kun udskiftes med originale dele fra STANLEY FATMAX. Kædens reservedelsnummer er A6158, sværdets reservedelsnummer er 90619609.



Direktiv 2000/14/EC garanterer lydstyrke.

## Yderligere sikkerhedsvejledninger for batterier og ladere

### Batterier

- ◆ Forsøg aldrig at åbne den af en eller anden grund.
- ◆ Batteriet må ikke udsættes for fugt.
- ◆ Batteriet må ikke udsættes for varme.
- ◆ Opbevar ikke batterier på steder, hvor temperaturen kan overstige 40 °C.
- ◆ Foretag kun opladning ved omgivelsestemperaturer mellem 10 °C og 40 °C.
- ◆ Brug kun den oplader, der fulgte med apparatet/værktøjet, til opladning. Brug af den forkerte oplader kan medføre elektrisk stød eller overophedning af batteriet.
- ◆ Følg ved bortskaffelse af batterier vejledningen i afsnittet "Miljø".
- ◆ Undgå at beskadige/deformere batteripakken ved at punktere den eller slå på den, da dette kan forårsage risiko for tilskadekomst eller brand.
- ◆ Beskadigede batterier må ikke oplades.

**Under ekstreme forhold kan der forekomme batterilækage. Når du bemærker væske på batterierne, skal du omhyggeligt tørre væsken af med en klud.** Undgå kontakt med huden.

I tilfælde af kontakt med hud eller øjne skal nedenstående instruktioner følges.

**Advarsel! Batterivæsken kan forårsage personskader eller materielle skader.** I tilfælde af kontakt med huden skylles straks med vand. Søg læge, hvis der opstår rødme, smerte eller irritation. Skyl straks med rent vand, og søg læge i tilfælde af kontakt med øjnene.

### Opladere

**Advarsel! Opladeren er udviklet til en specifik spænding.** Kontroller altid, at netspændingen svarer til spændingen på typeskiltet.

**Advarsel! Forsøg aldrig at erstatte opladerenheden med et almindeligt netstik.**

- ◆ Brug kun din STANLEY FATMAX-lader til at oplade batteriet i det apparat/værktøj, som den blev leveret sammen med. Andre batterier kan eksplodere og forårsage kvæstelser og materielle skader.
- ◆ Forsøg aldrig at oplade ikke-genopladelige batterier.
- ◆ Hvis netledningen beskadiges, skal den udskiftes af producenten eller et autoriseret STANLEY FATMAX-værksted, så farlige situationer undgås.
- ◆ Opladeren må ikke udsættes for fugt.
- ◆ Opladeren må ikke åbnes.
- ◆ Undersøg ikke opladeren.
- ◆ Opladeren skal ved opladning anbringes et sted med god udluftning.

### Etiketter på laderen

Opladeren er forsynet med følgende advarselssymboler:



Opladeren er kun beregnet til indendørs brug.



Læs brugervejledningen, før værktøjet tages i brug.

### Elektricitet og sikkerhed



Opladeren er dobbelt isoleret. Derfor er en jordledning ikke nødvendig. Kontroller altid, at netspændingen svarer til spændingen på typeskiltet. Forsøg aldrig at erstatte opladerenheden med et almindeligt netstik.

- ◆ Hvis netledningen beskadiges, skal den udskiftes af producenten eller et autoriseret STANLEY FATMAX-værksted, så farlige situationer undgås.

### Funktioner

1. Tænd/sluk-udløserkontakt
2. Startspærregreb
3. Kædebremse / forreste håndskærm
4. Sværd
5. Savkæde
6. Dæksel på kædehjul
7. Sværdlåsømøtrik
8. Kædespændingsskrue
9. Oliedæksel
10. Indikator for oliestand
11. Sværdskede
12. Bageste håndtag
13. Forreste håndtag
14. Batteripakke
15. Udløserknop til batteripakke
16. Sekskantnøgle
17. Opbevaring af sekskantnøgle

### Samling

**Advarsel!** Tag batteriet (14) ud af værktøjet inden det samles.

### Opladning af batteriet (fig. A)

Batteriet skal oplades inden i brugtagningen, og når det ikke leverer strøm nok til opgaver, der tidligere kunne udføres ubesværet. Batteriet kan blive varmt under opladningen. Det er normalt og ikke tegn på problemer.

**Advarsel!** Oplad ikke batteriet ved omgivelsestemperaturer på under 10 °C eller over 40 °C. Den anbefalede opladningstemperatur: ca. 24 °C.

**Bemærk:** Opladeren kan ikke oplade et batteri, hvis celledtemperaturen er under ca. 10 °C eller over 40 °C.

Batteriet bør efterlades i opladeren, og opladeren begynder automatisk at oplade, når celleteperaturen opvarmes eller nedkøles.







- ◆ Du oplader batteriet (14) ved at indsætte det i opladeren (18). Batteriet passer kun ind i opladeren i én retning. Tving dem ikke. Kontroller, at batteriet er sat helt i opladeren.
- ◆ Tilslut laderen, og tænd på stikkontakten.

Ladeindikatoren (18a) begynder at blinke.

Opladningen er afsluttet, når ladeindikatoren (18a) begynder at lyse konstant. Laderen og batteriet kan være tilsluttet i længere perioder. LED'en tændes, når laderen en gang imellem "efterfylder" batteriet.

- ◆ Afladede batterier bør oplades inden for 1 uge. Batteriets levetid reduceres kraftigt, hvis batteriet opbevares i afladet tilstand.

## LED-opladningstilstande

	<b>Opladning:</b> Grøn LED blinker	
	<b>Helt opladet:</b> Grøn LED konstant	
	<b>Varm/kold pakkeforsinkelse:</b> Grøn LED blinker Rød LED Fast	

**Bemærk:** Kompatible oplader(e) vil ikke oplade en defekt batteripakke. Opladeren indikerer en defekt batteripakke ved ikke at lyse.

**Bemærk:** Dette kan også betyde et problem med opladeren. Hvis opladeren angiver et problem, tag opladeren og batteripakken med hen til et autoriseret servicecenter for at blive kontrolleret.

## Lad batteriet blive siddende i opladeren

Batteripakken kan uden problemer forblive i opladeren, selvom LED lyser konstant. Opladeren holder batteripakken klar og fuldt opladet.

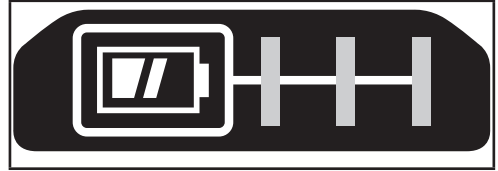
## Varm/kold pakkeforsinkelse

Når opladeren registrerer et batteri, der er for varmt eller for koldt, starter den automatisk en Varm/kold pakkeforsinkelse, den grønne LED (18a) blinker intermitterende, mens den røde LED (18b) forbliver tændt kontinuerligt, og den venter med opladning, indtil batteriet har nået en passende temperatur. Opladeren skifter derefter automatisk til pakkeopladningsfunktion.

Denne funktion sikrer maksimal batterilevetid.

## Batteriets ladeindikator (fig. B)

Batteriet indeholder en ladetilstandsindikator for hurtigt at afgøre batterilevetidens omfang, som vist i figur B. Hvis du trykker på ladetilstandsknappen (14a), kan du nemt se den resterende opladning i batteriet, som illustreret i figur B.



## På- og afmontering af batteripakken (fig. L)

**Advarsel!** Sørg for, at der er slukket for værktøjet/apparatet, før batteripakken isættes.

**Bemærk:** Kontrollér om batteripakken er fuldt opladet inden brug for at opnå de bedste resultater.

- ◆ Du installerer batteripakken (14) i værktøjshåndtaget ved at rette batteripakken ind efter skinnerne inde i værktøjshåndtaget og skubbe den ind i håndtaget, indtil batteriet sidder fast i værktøjet, og kontrollér, at den ikke river sig løs.
- ◆ Du fjerner batteripakken fra værktøjet ved at trykke på udløserknappen til batteripakken (15) og trække batteripakken ud af værktøjshåndtaget. Isæt den i opladeren som beskrevet i opladerafsnittet i denne vejledning.

## Montering af sværdet og savkæden (fig. D-H)

**Advarsel!** Skarp kæde. Brug altid beskyttelseshandsker ved håndtering af kæden. Kæden er skarp, og man kan skære sig på den, selv om den ikke kører.

**Advarsel!** Skarp roterende kæde. For at forhindre utilsigtet drift skal batteriet tages ud af værktøjet, inden der foretages følgende handlinger. I modsat fald kan der opstå alvorlige personskader.

Hvis savkæden (5) og sværdet (4) er pakket separat i kartonen, skal kæden fastgøres til sværdet, og begge dele skal fastgøres til selve værktøjet.

- ◆ Anbring saven på en flad, fast overflade.
- ◆ Roter sværdlåsemøtrikken (7) mod uret med den medfølgende sekskantnøgle (16).
- ◆ Fjern afdækning af kædehjulstand (6) og sværdlåsemøtrik (7).
- ◆ Idet du har beskyttelseshandsker på, kan du tage fat i savkæden (5) og anbringe den på sværdet (4), mens du sørger for, at tænderne peger i den rigtige retning (fig. H).
- ◆ Sørg for, at kæden er placeret korrekt i åbningen omkring hele sværdet.

- ◆ Anbring savkæden omkring tandhullet (19). Mens du flugter åbningen på sværdet med kædespændingsstiften (20) og bolten (21) på bunden af værktøjet, som vist på fig. E.
- ◆ Når det er på plads, skal sværdet holdes stille og afdækningen af kædehjulstand (6) sættes på plads. Installer først bagsiden af kædehullets dæksel, roter den ned, og sørg for, at bolthullet på afdækningen flugter med bolten (21) på hovedhuset.
- ◆ Installér sværdlåsømtrikken (7) og drej den med uret med den medfølgende sekskantnøgle (16), indtil den er stram, og løsn derefter møtrikken én omdrejning, så savkæden kan spændes korrekt.
- ◆ Drej kædespændingsskruen (8) med uret for at øge spændingen, som vist på fig. D. Sørg for, at savkæden (5) sidder tæt omkring sværdet (4). Stram sværdlåsømtrikken (7), indtil den er stram.
- ◆ Følg instruktionerne i afsnittet Justering af kædespænding.

### Justering af kædespænding (fig. D-H)

**Advarsel!** En forkert savkædespænding kan få savkæden til at ryge af sværdet og kan forårsage alvorlig personskade eller dødsfald.

**Bemærk:** Savkædespændingen bør justeres regelmæssigt før hver brug.

- ◆ Mens saven stadigvæk er på en fast overflade, skal du kontrollere kædens (5) spænding. Spændingen er korrekt, når savkæden smælder tilbage, efter den er trukket (3 mm) væk fra sværdet (4) med en let kraft fra pegefingeren og langefingeren, som vist på fig. F. Der bør ikke være nogen "sænkning" mellem sværdet og savkæden på undersiden, som vist på fig. G.
- ◆ Løsn sværdlåsømtrikken (7) for at justere savkædespændingen.
- ◆ Roter kædespændingsskruen (8) foran huset med sekskantnøglen flade skruetrækkerende (16).
- ◆ Kontrollér savkædespændingen, og juster efter behov.
- ◆ Savkæden må ikke strammes for meget, da det vil medføre større slid og reducere sværdets og savkædens levetid. Overspænding reducerer også mængden af skæringer, du opnår pr. batteriopladning.
- ◆ Når savkædespændingen er korrekt, skal du stramme sværdlåsømtrikken (7), indtil den er stram. Spænd sværdlåsømtrikken (7) til (8 Nm).
- ◆ En ny kæde strækkes lidt under de første få timers brug. Det er vigtigt at kontrollere spændingen jævnligt (efter frakobling af batteri fjernelse af batteripakken) under de første to timers brug.

### Udskiftning af savkæden (fig. D-H)

**Advarsel!** Skarp roterende kæde. For at forhindre utilsigtet drift skal batteriet tages ud af værktøjet, inden der foretages følgende handlinger. I modsat fald kan der opstå alvorlige personskader.

**Forsigtig!** Skarp kæde. Brug altid beskyttelseshandsker ved håndtering af kæden. Kæden er skarp, og man kan skære sig på den, selv om den ikke kører.

**Forsigtig!** Dette produkt har en kædehastighed på 8.6 m/s. Brug kun kæder med en nominel hastighed på over 8.6 m/s.

- ◆ Anbring saven på en flad, fast overflade.
- ◆ Fjern afdækningen af kædehjulstand (6), som beskrevet i afsnittet Montering af sværdet og savkæden.
- ◆ For at fjerne savkæden (5) skal du rotere kædespændingsskruen (8) foran huset med nøglens flade skruetrækkerende. Når skruen drejres mod uret, kan sværdet (4) trækkes tilbage, og spændingen på savkæden reduceres, så den kan fjernes.
- ◆ Bær beskyttelseshandsker, mens du griber fat i savkæden og løfter den slidte savkæde ud af rillen i sværdet.
- ◆ Vend sværdet om, hver gang du udskifter kæden, for at sikre et jævnt slid.
- ◆ Anbring den nye kæde i åbningen af sværdet, mens du sørger for, at savtænderne vender i den rigtige retning, ved at matche pilen og grafikken for savkæden på afdækningen af kædehjulstand (6) vist i fig. H.
- ◆ Følg anvisningerne til Montering af sværdet og savkæden.

Reservekæde og -sværd fås i dit nærmeste autoriserede servicecenter.  
Denne kædesav har brug for en reservekæde (304 mm).  
Reservesværd (304 mm).

### Smøring af savkæden og sværdet (fig. I)

#### Automatisk smøresystem

Denne kædesav er udstyret med et automatisk smøresystem, der hele tiden holder savkæden og sværdet smurt.

Indikatoren for oliestand (10) viser oliestanden i kædesaven. Hvis oliestanden er mindre end en kvart fuld, skal du fjerne batteriet fra kædesaven og genfylde oliebeholderen med den korrekte type olie.

Tøm altid olietanken efter skæring.

Tøm altid oliebeholderen før opbevaring af denne enhed.

**Bemærk:** Brug ikke denne kædesav uden olie.

**Bemærk:** Brug altid en biologisk nedbrydelig sværd- og kædeolie af høj kvalitet for korrekt smøring af savkæde og sværd. Ved beskæring af træer anbefales vegetabilisk-baseret sværd- og savkædeolie, da mineralbaserede olier kan være skadende for levende træer. Brug aldrig snavset, brugt eller forurenede olie. Dette kan beskadige værktøjet.

#### Påfyldning af oliebeholderen

- ◆ Skru oliedækslet (9) mod uret og fjern det derefter.



Fyld beholderen med den anbefalede sværd- og kædeolie, indtil oliestanden har nået toppen af indikatoren for oliestand (10).

- ◆ Sæt oliehaetten på igen, og spænd den med uret.
- ◆ Sluk ind imellem kædesaven, og kontrollér indikatoren for oliestanden for at sikre, at sværdet og kæden får tilstrækkelig olie. Sluk ind imellem kædesaven, og kontrollér indikatoren for oliestanden for at sikre, at sværdet og kæden får tilstrækkelig olie.

### Transport af kædesav (fig. J)

- ◆ Sluk altid for enheden, fjern batteriet og beskyt sværdet (4) med sværdskenen (11), når du transporterer saven.

### Betjening

**Advarsel!** For at mindske risikoen for alvorlige personskader skal du slukke for enheden og fjerne batteripakken for du foretager justeringer eller fjerner/installerer tilbehør. En utilsigtet start kan forårsage kvæstelser.

### Korrekt håndposition (fig. K)

**Advarsel!** For at reducere risikoen for alvorlig personskade skal du altid anvende den rette håndposition som vist.

**Advarsel!** For at reducere risikoen for alvorlig personskade skal du altid holde godt fast i tilfælde af en pludselig reaktion. Det er nødvendigt at placere den venstre hånd på det forreste håndtag (13) og den højre hånd på baghåndtaget (12) for korrekt håndposition.

### Betjening af kædesaven (fig. K)

**Advarsel!** Læs og forstå alle instruktioner. Manglende overholdelse af alle nedenstående instruktioner kan medføre elektrisk stød, brand og/eller alvorlig personskade.

- ◆ Beskyt mod tilbageslag, som kan resultere i alvorlig personskade eller dødsfald. Se Generelle sikkerhedsadvarsler for elværktøjer og Generelle sikkerhedsadvarsler for kædesave, og Årsager til og forebyggelse af tilbageslag og Sikkerhedsfunktioner ved tilbageslag for at undgå risikoen for tilbageslag.
- ◆ Undlad at række for langt. Skær ikke over brysthøjde. Sørg for at have fast fodfæste. Hold fødderne adskilt. Fordel din vægt jævnt på begge fødder.
- ◆ Brug et fast greb med din venstre hånd på det forreste håndtag (13) og din højre hånd på det bageste håndtag (12), så din krop er til venstre for sværdet (4).
- ◆ Hold ikke kædesaven i kædebremser/forreste håndskærm (3). Hold albuen for venstre arm låst, så den venstre arm er lige, for at modstå et tilbageslag.

**Advarsel!** Brug aldrig et krydshåndet greb (venstre hånd på det bageste håndtag og den højre hånd på det forreste håndtag).

**Advarsel!** Lad aldrig nogen del af din krop være i linje med sværdet under betjening af kædesaven.

- ◆ Den må aldrig bruges i et træ, i en klunget position eller på en stige eller anden ustabil overflade. Du kan miste kontrol over saven, hvilket kan forårsage alvorlig personskade.
- ◆ Hold saven i gang ved fuld hastighed hele tiden, mens du saver.
- ◆ Lad savkæden save for dig. Udøv kun let tryk. Læg ikke pres på kædesaven ved enden af snittet.

**Advarsel!** Når den ikke er i brug, skal kædebremsen altid være aktiveret, og batteriet fjernet.

### Indstilling af kædebremsen (fig. K, L)

Din kædesav er udstyret med et kædebremsesystem, som stopper kæden hurtigt i tilfælde af tilbageslag.

- ◆ Sørg for, at kædebremsen/forreste håndskærm (3) er i den fremadrettede position.
- ◆ Indsæt batteripakken (14) i værktøjet.
- ◆ Træk kædebremsen/den forreste håndskærm (3) mod det forreste håndtag (13) ind i positionen "klar/indstillet", som vist på fig. L.
- ◆ Værktøjet er nu klar til brug.
- ◆ Sæt efter brug kædebremsen/forreste håndskærm i den fremadrettede position.
- ◆ Tag batteriet ud.

**Bemærk:** I tilfælde af tilbageslag kommer din venstre hånd i kontakt med forsideskærmen og skubber den fremad mod arbejdsemnet. Dette stopper værktøjet.

### Test af kædebremsen (fig. L)

Test kædebremsen inden hver anvendelse for at sikre, at den fungerer korrekt.

- ◆ Anbring værktøjet på en flad, fast overflade. Sørg for, at kædesaven (5) er væk fra jorden.
- ◆ Tag godt fat i værktøjet med begge hænder, og tænd for kædesaven.
- ◆ Drej venstre hånd fremad omkring det forreste håndtag (13), så bagsiden af hånden rører ved kædebremsen/den forreste håndskærm (3), og skub den fremad mod arbejdsemnet. Savkæden bør standse med det samme.

**Bemærk:** Hvis saven ikke standser med det samme, skal du holde op med at bruge værktøjet og aflevere det på et autoriseret servicecenter i nærheden af dig.

**Advarsel!** Sørg for at indstille kædebremsen inden savning.

### Tænd/sluk-kontakt (fig. M)

Vær altid sikker på dit fodfæste, og grib kædesaven godt med begge hænder, mens tommelfingeren og de andre fingre omkranser begge håndtag.

- ◆ For at tænde enheden skal du trykke på startspærregebet (2), der vises i fig. M, og klemme udløserkontakten (1).

Når enheden kører, kan du slippe startspærregrebet.

- ◆ For at holde enheden i gang skal du blive ved med at klemme udløseren. Slip udløseren for at slukke for enheden.

### Skærping af savkæde (fig. N - P)

**Forsigtig:** Skarp kæde. Brug altid beskyttelseshandsker ved håndtering af kæden. Kæden er skarp, og man kan skære sig på den, selv om den ikke kører.

**Advarsel!** Skarp roterende kæde. For at forhindre utilsigtet drift skal batteriet tages ud af værktøjet, inden der foretages følgende handlinger. I modsat fald kan der opstå alvorlige personskader.

**Bemærk:** Skærene bliver øjeblikkeligt sløve, hvis de berører jorden eller et søm under savning.

For at få den bedste ydeevne fra din kædesav er det vigtigt at holde tænderne på savkæden skarpe. Følg disse nyttige tips til korrekt skærping af savkæde:

- ◆ For at opnå de bedste resultater bør du bruge en fil på 4,5 mm og en filholder eller en filvejleder til at skærpe din savkæde. Dette sikrer, at du altid får de rette skærpningsvinkler.
- ◆ Anbring filholderen fladt på den øverste plade og dybdemåleren på skæret.
- ◆ Hold den rette topplade (22) skærpvinkellinje på 30° på din filvejleder parallelt med din kæde (fil ved 60° fra kæde set fra siden), som vist.
- ◆ Skærp først skær på den ene side af kæden. Slib fra indersiden til ydersiden af hvert skær. Vend derefter din sav rundt, og gentag processen (2, 3, 4) for skær på den anden side af kæden.

**Bemærk:** Brug en flad fil til at slibe toppene af rivetænderne (del af kædeled foran skæret), så de er ca. (0,635 mm) under skærspidserne, som vist herunder.

- ◆ Hold alle skærlængder ens, som vist i fig. O.
- ◆ Hvis der er skader på toppladernes eller sidepladernes kromoverflade, skal du slibe tilbage, indtil en sådan skade fjernes.

**Forsigtig:** Efter slibningen er skæret skarpt. Pas ekstra godt på under denne proces.

**Bemærk:** Hver gang kæden skærpes, mister den nogle af kvaliteterne for lavt tilbageslag, og der bør udvises ekstra forsigtighed. Det anbefales, at en savkæde ikke skærpes mere end fire gange.

### Opbevaring af sekskantnøgle (fig. Q)

Når den ikke er i brug, skal sekskantnøglen (16) opbevares i opbevaringsområdet til sekskantnøglen (17) under værktøjet. Træk sekskantnøglen ud af opbevaringsområdet til sekskantnøglen for at fjerne den.

Skub sekskantnøglen ind i opbevaringsområdet til sekskantnøglen for at opbevare den.

### Stanley Track Wall-system (fig. R,S)

**Advarsel!** For at mindske risikoen for alvorlige personskader, skal du slukke for enheden og tage batteriet ud før du foretager justeringer eller fjerner/installerer tilbehør. En utilsigtet start kan forårsage kvæstelser.

**Advarsel!** For at reducere risikoen for alvorlig personskade må du ikke bruge en beskadiget integreret hængekrog i Stanley Track Wall-systemet eller et beskadiget Stanley Track Wall-system. En beskadiget integreret hængekrog i Stanley Track Wall-systemet eller et beskadiget Stanley Track Wall-system kan ikke bære værktøjets vægt.

**Advarsel!** For at mindske risikoen for alvorlige personskader MÅ DU IKKE hænge værktøjet op i loftet eller hænge objekter i den integrerede hængekrog. Hæng KUN værktøjet på Stanley Track Wall-systemets vægskinne med den integrerede hængekrog.

**Advarsel!** Stanley Track Wall-systemets integrerede hængekrog er beregnet til at montere værktøjet på en Stanley Track Wall-vægskinne.

Brug ikke den integrerede hængekrog til at montere værktøjet på en anden overflade.

**Advarsel!** Stanley Track Wall-systemets integrerede hængekrog er ikke en bæltekrog.

**Advarsel!** Når du hænger objekter på en Stanley Track Wall-vægskinne, skal du holde passende afstand mellem værktøjerne for ikke at overskride 35 kg. pr. lineær fod.

**Advarsel!** Før du bruger værktøjet, skal du sørge for, at den integrerede hængekrog i Stanley Track Wall-systemet returneres til dens originale position.

**Vigtigt:** Stanley Track Wall-systemets tilbehør monterer kompatible værktøjer sikkert i Stanley Track Wall-systemet. Sluk, fjern batteripakken og fjern tilbehør.

Installér sværdsmeden (11) på sværdet (4).

**Forsigtig:** Ethvert produkt med blottede skæretænder skal have dem sikkert tildækket, hvis det skal være på Stanley Track Wall-systemets vægskinne.

Monter den integrerede hængekrog (23) på Stanley Track Wall-systemets vægskinne, som vist i fig. R,S. Den klikker, når den låses fast.

**Bemærk:** Du kan købe Stanley Track Wall-systemets tilbehør til dit værktøj hos din lokale forhandler eller autoriserede servicecenter.

### Almindelige fældningsteknikker

#### Fældning (fig. T, U)

Processen med at fælde et træ. Fæld ikke træer ved kraftig vind.

**Advarsel!** Fældning kan resultere i personskade. Det bør kun udføres af en øvet person.

Der bør planlægges en retrætesti, som bør ryddes efter behov, inden savningen går i gang.

Retrætestien bør strække sig tilbage og diagonalt med bagsiden af den forventede faldlinje, som vist herunder.

- ◆ Inden fældningen starter, skal du tage hensyn til træets naturlige hældning, placeringen af større grene og vindretningen for at vurdere hvilken vej, træet falder i. Hav kiler (af træ, plastik eller aluminium) og en tung mukkert klar. Fjern snavs, sten, løst bark, søm, hæfteklammer og ståltråd fra det træ, hvor der skal foretages fældesnit.
- ◆ Forhug - Lav hugget 1/3 af træets diameter, vinkelret med faldretningen. Lav det nederste vandrette forhug først. Dette hjælper med at undgå at knibe enten savkæden eller sværdet, når det andet forhug laves, som vist herunder.
- ◆ Fældende bagsnit - Lav det fældende bagsnit mindst 51 mm højere end det vandrette forhug. Hold det fældende bagsnit parallelt med det vandrette forhug. Lav det fældende bagsnit, så der er nok træ tilbage til at fungere som et hængsel. Hængseltræet forhindrer træet i at sno sig og falde i den forkerte retning. Skær ikke gennem hængslet, som vist herunder.
- ◆ Når fældesnippet kommer tæt på hængslet, burde træet begynde at falde. Hvis der er risiko for, at træet ikke falder i den ønskede retning, eller at det vipper tilbage og binder savkæden, skal du holde op med at save, inden det fældende snit er færdigt, og bruge kiler til at åbne snittet og lade det falde langs den ønskede faldlinje. Når træet begynder at falde, skal du fjerne kædesaven fra snittet, stoppe motoren, trække kædesaven ned og derefter bruge den planlagte retrætesti. Pas på faldende grene, og hold øje med dit fodfæste.

### Afskæring af grene (fig. V)

Fjernelse af grene fra et faldet træ. Ved afskæring af grene skæres de nederste store grene ikke af, så de kan holde stammen oppe fra jorden. Fjern de små grene med ét snit. Grene under spænding bør saves fra bunden af grenen mod toppen for at undgå at binde kædesaven, som vist på fig. V. Trim grene fra den modsatte side, og hold træstammen mod dig og saven. Skær aldrig med saven mellem benene, eller mens du sidder overskrævs på den gren, der skal skæres.

### Buksavning (fig. W, X, Y, Z)

**Advarsel!** Det anbefales, at førstegangsb brugere øver sig på at save på en savbuk.

Savning af et fældet træ eller en stamme på langs. Den måde, du skal skære på, afhænger af, hvordan stammen er understøttet. Brug en savbuk, når det er muligt, som vist i fig. W.

- ◆ Påbegynd altid et snit, når savkæden bevæger sig med fuld hastighed.
- ◆ Anbring den nederste spids af kædesaven bag området af det indledende snit, som vist på fig. W.

- ◆ Tænd for kædesaven, og drej derefter savkæden og sværdet ned i træet, mens spidsen bruges som et hængsel.
- ◆ Når kædesaven når til en vinkel på 45 °, skal kædesaven igen nivelleres, og trinene skal gentages, indtil du saver helt igennem.
- ◆ Når træet understøttes hele vejen som i fig. X, skal du lave et snit fra toppen (oversnit), men undgå at save i jorden, da dette hurtigt vil sløve din sav.
- ◆ Ved understøttelse af den ene ende som i fig. Y, skær først 1/3 af diameteren fra undersiden (undersnit). Lav derefter det endelige snit ved at save fra oven for at møde det første snit, som vist i fig. Y.
- ◆ Ved understøttelse af begge ender som i fig. Z, skær først 1/3 ned fra toppen (oversnit). Lav derefter det endelige snit ved at save fra neden ved den nederste 2/3 for at møde det første snit, som vist i fig. Z.

### Problemløsning

Problem	Mulig årsag	Mulig løsning
Værktøjet vil ikke starte	Låsekappen ikke trykket ind.	Tryk på låsekappen.
	Batteri ikke isat	Sæt batteriet i
	Batteri ikke opladet	Oplad batteriet
	Batteri ikke isat korrekt	Fjern batteriet, og sæt det i igen
Kæden stopper ikke i løbet af 2 sekunder, når værktøjet slukkes	Kædens stramning er for løs	Kontroller kædens stramning
Sværdet/kæden varm/rygende	Oliebeholder tom	Kontroller oliebeholderniveauet
	Oliehul i sværdet blokeret	Rengør oliehullerne, og rens rillen omkring kanten af sværdet.
	Kædens stramning er for fast	Kontroller kædens stramning
	Sværdets trækspids trænger til smøring	Smør sværdets trækspids
Kædesaven saver ikke ordentligt	Kæden påsat baglæns	Kontroller/korriger kædens retning
		Slib
Kædesaven bruger ikke olie	Snavs i beholderen	Tap olien af beholderen, og fyld nu olie på
	Oliehul i dæksel blokeret	Fjern snavs fra hullet
	Snavs i sværdet	Fjern snavs, og rengør sværdet
	Snavs i olieudløbet	Fjern snavs

Problem	Mulig årsag	Mulig løsning
Kædesaven stopper pludseligt under brug	Batteri brugt op	Kontroller batteriets opladning ved at trykke på ladeindikatorknappen. Genoplad batteriet, hvis det er nødvendigt.
	Batteri for varmt	Lad batteriet køle af i mindst 30 minutter, før der fortsættes eller før opladning.
	Beskyttelse mod anvendelse uden for strømgrænserne	Start kædesaven igen. Lad værktøjet arbejde i dets eget tempo. Det må ikke overbelastes.

## Hvad du skal gøre, hvis kædesaven skal repareres?

Denne kædesav er fremstillet i overensstemmelse med de relevante sikkerhedsforskrifter. Reparationer må kun foretages af en kvalificeret person, som bruger originale reservedele. I modsat fald kan der opstå betydelig fare for brugeren. Vi anbefaler, at du opbevarer denne brugsanvisning et sikkert sted.

## Miljøbeskyttelse



Særskiilt bortskaftelse. Produkter og batterier markeret med dette symbol må ikke bortskaftes sammen med normalt husholdningsaffald.

Produkter og batterier indeholder materialer, der kan genindvindes eller genbruges, så behovet for råmaterialer reduceres.

Du bedes genbruge elektriske produkter og batterier i overensstemmelse med lokale bestemmelser. Yderligere informationer findes på [www.2helpU.com](http://www.2helpU.com)

## Vedligeholdelse

Regelmæssig vedligeholdelse sikrer en lang effektiv levetid for værktøjet. Vi anbefaler, at du udfører følgende kontrol med jævne mellemrum.

**Advarsel!** Før udførelse af nogen form for vedligeholdelse på elværktøj:

- ◆ Sluk værktøjet, og træk ledningen ud af stikkontakten.

## Oliestand

Niveaueet i beholderen må ikke komme ned under kvart fuld.

## Savkæde og sværd

- ◆ Tag sværdet og savkæden af, hver gang saven har været brugt nogle timer og før opbevaring, og rengør dem omhyggeligt.
- ◆ Kontrollér, at skærmen er ren og fri for fremmedlegemer.
- ◆ Smør trækspiden og sværdet via trækspidens smørehuller. Derved sikres en ligelig fordeling af slidet omkring sværdskinne.

## Slibning af savkæden

Hvis værktøjet skal yde sit bedste, er det vigtigt at holde tænderne på savkæden skarpe.

Slibvejledningen findes på slibesættet.

## Udsiftning af slidte savkæder

Udsiftningssavkæder fås i detailhandelen eller hos STANLEY FATMAX-forhandlere. Brug altid originale reservedele.

## Savkædens skarphed

Skærene på savkæden bliver øjeblikkeligt sløve, hvis de berører jorden eller et søm under savning.

## Savkædens stramning

Kontroller regelmæssigt savkædens stramning.

## Tekniske data

		SFMCSS730
Spænding	$V_{DC}$	18
Sværdlængde	mm	300
Kædehastighed (ubelastet)	m/s	6,7
Maks. skærelængde	mm	250
Oliekapacitet	ml	150
Vægt	kg	2.51 (uden savkæden, sværdet, sværddækslet, olie, batteri)

Oplader		SFMCB11	SFMCB12	SFMCB14
Indgangsspænding	$V_{AC}$	230	230	230
Udgangsspænding	$V_{DC}$	18	18	18
Strøm	A	1,25	2	4

Batteri		SFMCB201	SFMCB202	SFMCB204	SFMCB206
Spænding	$V_{DC}$	18	18	18	18
Kapacitet	Ah	1,5	2,0	4,0	6,0
Type		Li-Ion	Li-Ion	Li-Ion	Li-Ion

Lydtrykniveau i henhold til EN 62841:
$L_{PA}$ (lydtryk) 87 dB(A), usikkerhed (K) 3 dB(A)
$W_A$ (lydeffekt) 99 dB(A), usikkerhed (K) 1,6 dB(A)

Samlede værdier for vibration (triaksial vektorsum) i henhold til EN 62841:
Værdi for udsendelse af vibration ( $a_w$ ) 6,5 m/s <sup>2</sup> , usikkerhed (K) 1,5 m/s <sup>2</sup>

**EF-overensstemmelseserklæring**

MASKINDIREKTIV



SFMCCS730 – Kompakt kædesav

STANLEY FATMAX erklærer, at produkterne beskrevet under "Tekniske data" er i overensstemmelse med: 2006/42/EF, EN 62841-1:2015+A11:2022, EN 62841-4-1:2020, 2000/14/EF, bilag V

LWA (målt lydeffektniveau) 99 dB(A), usikkerhed (K) = 1,6 dB (A),

LWA (garanteret lydeffekt) 101 dB (A)

Disse produkter er endvidere i overensstemmelse med direktiv 2014/30/EU og 2011/65/EU.

Kontakt STANLEY FATMAX på nedenstående adresse, eller se vejledningens bagside for at få flere oplysninger.

Undertegnede er ansvarlig for udarbejdelsen af de tekniske data og fremsætter denne erklæring på vegne af STANLEY FATMAX

*Patrick Diepenbach* Patrick Diepenbach  
Generaldirektør, Benelux  
Stanley FatMax,  
Egide Walschaertsstraat 14-18  
2800 Mechelen, Belgien  
28/06/2023

**Garanti**

STANLEY FATMAX er sikker på kvaliteten af sine produkter og giver forbrugerne en garanti på 12 måneder fra købsdatoen. Garantien er et tillæg til forbrugernes lovmæssige rettigheder og påvirker ikke disse. Garantien er gyldig inden for medlemsstaterne af Den Europæiske Union, Det Europæiske Frihandelsområde og Det Forenede Kongerige. Når du gør krav på garantien, skal kravet være i overensstemmelse med STANLEY FATMAX vilkår og betingelser, og du skal indsende dokumentation for købet til sælgeren eller til en autoriseret reparatør. Vilkår og betingelser for STANLEY FATMAX 1 års garanti og placeringen af dit nærmeste autoriserede serviceværksted kan fås på internettet på [www.2helpU.com](http://www.2helpU.com), eller ved at kontakte dit lokale STANLEY FATMAX kontor på den adresse, der er angivet i denne vejledning.

Besøg venligst vores websted [www.stanley.eu/3](http://www.stanley.eu/3) for at registrere dit nye STANLEY FATMAX -produkt og modtage opdateringer om nye produkter og specielle tilbud.

**Käyttötarkoitus**

Kompakt STANLEY FATMAX, SFMCCS730 -ketjusaha on tarkoitettu kevyeen leikkaamiseen ja trimmaamiseen. Laitte on tarkoitettu sekä ammatti- että yksityiskäyttöön.

**Turvallisuusohjeet****Sähkökalun yleiset turvaohjeet**

**Varoitus! Lue kaikki sähkötyökalun mukana toimitetut varoitukset, käyttöohjeet ja tekniset tiedot.** Jos kaikkia ohjeita ei noudateta, on olemassa sähköiskun, tulipalon ja/tai vakavan henkilövahingon vaara.

**Säästä kaikki varoitukset ja ohjeet tulevaa käyttöä varten.** Ohjeissa käytetty käsite "sähkötyökalu" tarkoittaa verkkokäyttöisiä sähkötyökaluja (verkkojohdolla varustettuja) ja akkukäyttöisiä sähkötyökaluja (ilman verkkojohtoa).

**1. Työalueen turvallisuus**

- a. **Pidä työalue puhtaana ja hyvin valaistuna.** Onnettomuuksia tapahtuu helpommin epäsiistissä tai huonosti valaistussa tilassa.
- b. **Sähkötyökalua ei saa käyttää räjähdyksalttiissa ympäristöissä, kuten syttyvien nesteiden, kaasun tai pölyn lähettyvillä.** Sähkötyökaluista syntyy kipinöitä, jotka voivat sytyttää pölyn tai höyryt.
- c. **Pidä lapset ja sivulliset loitolla sähkötyökalua käyttäessäsi.** Keskittymiskyvyn herpaantuminen voi aiheuttaa hallinnan menettämisen.

**2. Sähköturvallisuus**

- a. **Sähkötyökalujen pistokkeiden on sovittava pistorasiaan. Pistoketta ei saa koskaan muuttaa millään tavalla. Maadoitettujen sähkötyökalujen kanssa ei saa käyttää sovittipistokkeita.** Sähköiskun vaara on pienempi, kun pistokkeita ei ole muutettu mitenkään ja ne liitetään sopivaan pistorasiaan.
- b. **Vältä koskettamasta maadoitettuihin pintoihin, kuten putkiin, lämpöpattereihin, liesiin ja jäähdyttimiin.** Sähköiskun vaara on suurempi, jos kehosi on maadoitettu.
- c. **Sähkötyökaluja ei saa käyttää sateessa tai märissä olosuhteissa.** Sähkötyökaluun menevä vesi lisää sähköiskun vaaraa.
- d. **Älä käsittele virtajohtoa kovakouraisesti. Älä kannata työkaluja sähköjohdosta tai vedä pistoketta pistorasiasta sähköjohdon avulla. Suojaa johto lämmöltä, öljyltä, teräviltä reunoilta ja liikkuvilta osilta.** Vaurioituneet tai kietoutuneet johdot lisäävät sähköiskun vaaraa.
- e. **Käyttäessäsi sähkötyökalua ulkona käytä ainoastaan ulkokäyttöön soveltuvaa jatkojohtoa.**

Ulkokäyttöön tarkoitettujen sähköjohdon käyttäminen vähentää sähköiskun vaaraa.

- f. **Jos sähkötyökalua on välttämättä käytettävä kosteassa paikassa, käytä vikavirtasuojalla (RCD) suojattua virtälähdettä.** Tämä vähentää sähköiskun vaaraa.

### 3. Henkilöturvallisuus

- a. **Ole valpas, keskity työhön ja noudata tervettä järkeä sähkötyökalun käytössä. Älä käytä tätä työkalua ollessasi väsynyt tai alkoholin, huumeiden tai lääkkeiden vaikutuksen alaisena.** Keskeyttämisen herpaantuminen hetkeksikin sähkötyökalua käytettäessä voi aiheuttaa vakavan henkilövahingon.
- b. **Käytä henkilökohtaisia suojavarusteita. Käytä aina suojalaseja.** Hengityssuojaimen, liukumattomien turvajalkineiden, kypärän ja kuulonsuojaimen käyttäminen vähentää henkilövahinkojen vaaraa.
- c. **Vältä tahatonta käynnistämistä. Varmista, että kytkin on OFF-asennossa, ennen kuin liität laitteen virtälähteeseen ja/tai akkuun, nostat laitteen tai kannat sitä.** Onnettomuuksia voi sattua, jos sähkötyökaluja kuljetetaan pitämällä sormea kytkimellä tai ne käynnistetään kytkimen ollessa päällä.
- d. **Poista säätöavaimet tai avaimet ennen sähkötyökalun kytkemistä päälle.** Sähkötyökalun pyörivään osaan kiinni jäänyt avain voi johtaa loukkaantumiseen.
- e. **Älä kurkottele. Varmista aina hyvä jalansija ja tasapaino.** Täten varmistat sähkötyökalun paremman hallinnan odottamattomissa tilanteissa.
- f. **Pukeudu asianmukaisesti. Älä käytä löysiä vaatteita tai koruja. Hiukset, vaatteet ja suojakäsineet on pidettävä poissa työkalun liikkuvista osista.** Löysät vaatteet, korut tai pitkät hiukset voivat jäädä kiinni liikkuviin osiin.
- g. **Jos laitteessa on liitántä pölynpoisto- tai pölynkeräysjärjestelmiä varten, varmista niiden oikeaoppinen liitántä ja käyttö.** Pölynkeräysjärjestelmien käyttö voi vähentää pölyn aiheuttamia vaaroja.
- h. **Vaikka käyttäisit usein työkaluja ja sinulla olisi niistä hyvä tuntemus, älä jätä lukematta työkalun turvallisuusohjeita.** Huolimattomuus voi johtaa vakaviin henkilövahinkoihin jopa sekunnin murto-osassa.

### 4. Sähkötyökalujen käyttö ja hoito

- a. **Älä kohdistaa sähkötyökaluun voimaa. Käytä käyttötarkoitukseen sopivaa sähkötyökalua.** Oikea sähkötyökalu suorittaa toimenpiteen paremmin ja turvallisemmin sen suunnitellulla käyttönopeudella.
- b. **Älä käytä sähkötyökalua, jos sen kytkin ei kytkte virtaa päälle ja pois päältä.** Sähkötyökalut, joita ei voida hallita kytkimellä, ovat vaarallisia ja ne on korjattava.

- c. **Irrota pistoke virtalähteestä ja/tai akku sähkötyökalusta ennen sähkötyökalun säätämistä, lisävarusteiden vaihtoa tai varastoimista.** Nämä ennakoivat varoitoimenpiteet vähentävät sähkötyökalun odottamatonta käynnistymisvaaraa.
- d. **Säilytä käyttämättömiä työkaluja lasten ulottumattomissa. Älä anna sellaisten henkilöiden käyttää sähkötyökalua, jotka eivät tunne sitä ja näitä käyttöohjeita.** Sähkötyökalut ovat vaarallisia kouluttamattomien henkilöiden käsissä.
- e. **Hoida sähkötyökalusi huolella. Tarkista, että liikkuvat osat toimivat moitteettomasti ja etteivät ne ole puristuksessa. Tarkista myös, ettei työkalussa ei ole murtuneita tai vahingoittuneita osia, jotka saattaisivat vaikuttaa haitallisesti sen toimintaan. Jos sähkötyökalussa on vaurioita, se on korjattava ennen käyttöä.** Monet onnettomuudet johtuvat huonosti ylläpidetyistä sähkötyökaluista.
- f. **Leikkausvälineet on pidettävä terävinä ja puhtaina.** Kunnossa pidettyjen leikkaavia teräviä reunoja sisältävien työkalut todennäköisyys jumiutua vähenee, ja niitä on helpompi hallita.
- g. **Käytä sähkötyökalua, lisävarusteita ja työkalun teriä jne. näiden ohjeiden mukaisesti huomioiden työskentelyolosuhteet sekä suoritettavat toimenpiteet.** Jos sähkötyökalua käytetään näiden ohjeiden vastaisesti, voi syntyä vaaratilanne.
- h. **Pida kahvat ja kädensijat kuivina ja puhtaina öljystä ja rasvasta. Liukkaat kahvat ja kädensijat estävät työkalun turvallisen käsittelyn ja hallinnan odottamattomissa tilanteissa.**
5. **Akkutoimisten työkalujen käyttö ja ylläpito**
- a. **Ladattava ainoastaan valmistajan määrittämällä laturilla.** Laturi, joka on sopiva yhden tyyppiselle akulle, voi aiheuttaa tulipalon vaaran, jos sitä käytetään toisen tyyppisellä akulla.
- b. **Käytä sähkötyökalussa ainoastaan kyseiseen sähkötyökaluun tarkoitettua akkua.** Muun tyyppisen akun käyttö saattaa johtaa loukkaantumiseen ja tulipaloon.
- c. **Pida irrallinen akku loitolla metalliesineistä, kuten paperiliittimistä, kolikoista, avaimista, nauloista, ruuveista tai muista pienistä metalliesineistä, jotka voivat aiheuttaa oikosulun akun navoissa.** Kennon pinteiden oikosulun voi aiheuttaa palovammoja tai tulipalon.
- d. **Väärin käytetyistä akusta voi vuotaa nestettä. Älä kosketa sitä. Jos nesteen kanssa joutuu kosketuksiin, huuhtelee vedellä. Jos nestettä joutuu silmiin, hakeudu lisäksi lääkärin hoitoon.** Akusta roiskunut neste saattaa aiheuttaa ärsytystä tai palovammoja.
- e. **Vaurioitunutta tai muokattua akkua tai laitetta ei saa käyttää.**

Vaurioituneet tai muunnellut akut voivat johtaa odottamattomiin tilanteisiin ja vaarana ovat tulipalo, räjähdys ja henkilövahingot.

- f. **Akku ja laite tulee suojata tulta sekä liian korkealta lämpötilalta.** Se voi räjähtää yli 130 °C lämpötilassa. HUOMAA: Lämpötila "130 °C" voidaan korvata lämpötilalla "265 °F".
- g. **Noudata kaikkia latausohjeita, akkuja tai laitetta ei saa ladata ohjeissa annettujen lämpötilavälien ulkopuolella.** Virheellisen latauksen tai annettujen lämpötilavälien ulkopuolella lataamisen seurauksena akku voi vaurioitua ja tulipalovaara kasvaa.
6. **Huolto**
- a. **Korjauta sähkötyökalu koulutetulla ja ammattitaitoisella henkilöllä ja hyväksy korjauksiin vain alkuperäisiä varaosia.** Tämä varmistaa sähkötyökalun turvallisuuden.
- b. **Vaurioituneita akkuja ei saa koskaan huoltaa.** Ainoastaan valmistaja tai valtuutetut huoltooliikheet saavat huoltaa akkuja (vain akkutyökaluissa).

## Ketjusahan yleiset turvallisuusvaroitukset



**Varoitus!** Lisäturvavaroitukset ketjusahoille

- ◆ **Ole huolellinen, ettei teräketju osu itseesi sahausken missään vaiheessa. Varmista ennen sahan käynnistämistä, ettei teräketju kosketa mihinkään.** Jos tarkkaavaisuutesi pääsee herpaantumaan sahausken aikana, esimerkiksi vaatteesi tai jäsenesi voivat takertua teräketjuun.
- ◆ **Pidä ketjusahaa oikealla kädellä sen takahavasta ja vasemmalla sen etukahvasta.** Vastakkainen ote saahasta lisää onnettomuusrisiä. Älä koskaan käytä vastakkaista otetta.
- ◆ **Pitele ketjusahaa vain sen eristävästä tartuntapinnosta, sillä teräketju voi osua piilossa oleviin sähköjohtoihin.** Teräketjun kosketus jännitteisen johtimen kanssa voi tehdä ketjusahan paljaista metalliosista jännitteisiä ja aiheuttaa sähköiskun käyttäjälle.
- ◆ **Käytä suojalaseja. Kuulonsuojaimet, kypärät sekä käsien ja jalkojen suojarusteet ovat suositeltavia.** Asianmukaiset suojarusteet vähentävät sinkoavien puunsälöjen ja teräketjun aiheuttamia loukkaantumisia.
- ◆ **Älä käytä ketjusahaa puussa, tikkailla, katolta tai epävakaalta tuelta.** Muutoin ketjusahan käytöstä voi aiheutua vakavia henkilövahinkoja.
- ◆ **Käytä suojaavia jalkineita ja seiso sahatessasi tasaisella ja tukevalla alustalla.**

Sahaaminen liukkaalla tai epävakaalla työskentelypaikalla, kuten tikapuilla, voi johtaa tasapainon tai sahan hallinnan menetykseen.

- ◆ **Ole varovainen katkaistessasi jännittyneenä olevaa oksaa, sillä se saattaa ponnahtaa yllättävään suuntaan.** Kun puun jännitys laukeaa, ponnahtava oksa voi osua käyttäjään ja/tai työkaluun ja aiheuttaa hallinnan menetyksen.
- ◆ **Ole hyvin varovainen sahatessasi pensaita tai vesakkoa.** Taipuisat oksat voivat tarttua teräketjuun ja iskeytyä sahaajaan tai horjuttaa hänen tasapainoaan.
- ◆ **Kanna ketjusahaa etukahvasta virta katkaistuna ja terä suunnattuna itsestäsi pois päin. Aseta laipan suojus paikalleen sahan kuljetuksen ja varastoinnin ajaksi.** Käsittele sahaa huolellisesti, ettei vahingossa kosketa pyörivää teräketjuä.
- ◆ **Noudata voitelua, ketjun kireyttä ja osien vaihtoa koskevia ohjeita.** Väärin kiristetty tai voitelematon ketju voi katketa tai lisätä takapotkun mahdollisuutta.
- ◆ **Käytä työkalua vain puumateriaalin katkaisuun. Älä käytä sahaa muuhun kuin sille suunniteltuun tarkoitukseen.** Esimerkki: älä sahaa ketjusahalla muoviva, kiviainesta tai rakennuspuusta poikkeavaa materiaalia. Ketjusahan käyttö muuhun kuin sille tarkoitettuun tehtävään voi johtaa vaarallisiin tilanteisiin.
- ◆ **Älä yritä kaataa puuta ennen kuin olet ymmärtänyt kaikki riskit ja niiden välttämiseen tarvittavat toimenpiteet.** Käyttäjä tai sivulliset voivat vammautua vakavasti puun kaatamisen aikana.
- ◆ **Noudata kaikkia ohjeita, kun poistat tukoksia, varastoita tai huollat ketjusahaa. Varmista, että kytkin on pois päältä ja akku on poistettu.** Jos ketjusaha käynnistyy yllättäen kiinni juuttuneen materiaalin poistamisen tai huollon aikana, seurauksena voi olla vakava henkilövahinko.

## Sähkötyökalujen lisäturvavaroitukset



**Varoitus!** Lisäturvavaroitukset kompakteille ketjusahoille.

- Tarkoitettu käyttö on kuvattu tässä käyttöohjeessa. Älä käytä työkalua muihin tarkoituksiin, esimerkiksi puiden kaatamiseen. Muiden kuin ohjeissa suositeltujen lisävarusteiden tai -osien käyttö sekä työkalun käyttö muuhun kuin oppaassa suositeltuun tarkoitukseen voi aiheuttaa loukkaantumisaaran.
- ◆ **Pukeudu tiukasti istuviin ja suojaaviin vaatteisiin ja käytä suojakypärää, visiiriä/suojalaseja, kuulonsuojaimia, luistamattomia turvajalkineita, suojarahousuja ja vahvoja nahkakäsineitä.**
  - ◆ **Pysyttele poissa putoavien oksien alta.**
  - ◆ **Turvallinen etäisyys katkaistavan oksan ja sivullisten, rakennusten ja muiden rakenteiden välillä on vähintään 2,5 kertaa oksan pituus.**

Putoavat oksat voivat osua tätä etäisyyttä lähempänä oleviin sivullisiin, rakennuksiin tai muihin rakenteisiin ja aiheuttaa vaaratilanteita.

- ◆ **Suunnittele turvallinen poistumisreitti putoavien oksien luota.** Varmista, että aikomassasi väistämissuunnassa ei ole siirtymistä rajoittavia esteitä. Muista, että märkä ruoho ja juuri irronnut puunkuori ovat liukkaita.
- ◆ **Varmista, että joku on lähellä (mutta turvallisen etäisyyden päässä) onnettomuuden varalta.**
- ◆ **Älä käytä työkalua ollessasi puussa, tikkailla tai jollakin muulla epävakaalla alustalla.**
- ◆ **Varmista aina hyvä jalansija ja tasapaino.**
- ◆ **Pidä työkalusta kiinni tukevasti molemmin käsin moottorin käydessä.**
- ◆ **Ketjun pyöriessä varo, ettei laipan kärki osu mihinkään kohteeseen.**
- ◆ **Aloita katkaisu vain ketjun pyöriessä täydellä nopeudella.**
- ◆ **Älä sahaa vanhasta sahausurasta.** Tee aina uusi sahausviilto.
- ◆ **Tarkkaile oksan liikkeitä, sillä katkaisukohtaan saattaa kohdistua voimaa, joka johtaa terän takertumiseen katkaisukohtaan.**
- ◆ **Älä yritä katkaista oksaa, joka on paksumpi kuin työkalun sahausvyövyys.**
- ◆ **Kun varastoit työkalun tai kuljetat sitä, poista akku aina ensin työkalusta ja aseta ketjukoppa ketjun päälle.**
- ◆ **Pidä teräketju terävänä ja oikealla kireydellä.** Tarkista kireys säännöllisesti.
- ◆ **Sammuta laite, anna teräketjun pysähtyä ja poista akku laitteesta, ennen kuin säädät tai huollat laitetta.**
- ◆ **Käytä aina vain alkuperäisiä varaosia ja lisävarusteita.**
- ◆ **Pidä kädensijat kuivina ja puhtaina öljystä ja rasvasta.** Rasvaiset tai öljyiset kahvat ovat liukkaat, ja ote heltää niistä helposti.
- ◆ **Kaatopiikistä voi tulla terävä sahan käyttöaikana.** Käsittele varoen.
- ◆ **Terälevy voi kuumentua laitetta käsitellessä. Käsittele varoen.**

### Takapotkun syyt ja niiden estäminen

Takapotkun voi aiheuttaa laipan kärjen osuminen johonkin tai terän jääminen puristuksiin. Laipan kärjen osuminen kiinteään kohteeseen voi potkaista pyörivän ketjun voimakkaasti päin sahaajaa. Teräketjun puristuminen laipan yläpintaan voi myös aiheuttaa nopean takapotkun.

Molemmat edellä kuvatuista tilanteista voivat johtaa sahan hallinnan menetykseen ja loukkaantumiseen. Älä luota pelkästään ketjusahan turvalaitteisiin. Ketjusahan käyttäjän tulee itse huolehtia siitä, etteivät sahausolosuhteet aiheuta vaaratilanteita.

Takapotku on seuraus sahan vääristä käyttötavoista tai -olosuhteista ja sen voi välttää noudattamalla alla kuvattuja varotoimia.

- ◆ **Tartu sahaan lujalla otteella kummastakin kahvasta. Kun kädet pitävät kiinni sahasta, asetu sellaiseen asentoon, että voit vastustaa takapotkua.** Sahaaja pystyy hyvin vastustamaan takapotkun voimaa noudattamalla esitettyjä varotoimia. Älä helleitä otettasi sahasta kesken työn.
- ◆ **Älä kurkota liikaa äläkä sahaa hartiatason yläpuolella.** Näin estät tahattomat kärkikosketukset ja pystyt paremmin hallitsemaan sahaa yllättävissä tilanteissa.
- ◆ **Käytä varaosina vain valmistajan suosittelemia laippoja ja ketjuja.** Sahaan sopimattomat laipat tai ketjut voivat johtaa ketjurikkoihin ja/tai takapotkuihin.
- ◆ **Noudata valmistajan antamia teräketjun teroitus- ja huolto-ohjeita.** Syvyysohjaimen madaltaminen voi lisätä sahan alltiutta takapotkuihin.

### Ketjusahan turvasuositukset

- ◆ **Ensikertalaisten sahan käyttäjien on erittäin suositeltavaa kysyä käytännön ohjeita ja neuvoja kokeneelta sahaajalta.** Sahan käyttöä kannattaa opetella sahaamalla halkoja sahapukissa.
- ◆ **Ketjusahan kuljetuksen aikana on suositeltavaa irrottaa akku ja pitää saha asennossa, jossa teräketju on taaksepäin.**
- ◆ **Pidä ketjusaha hyvässä kunnossa, kun se ei ole käytössä.** Jos ketjusaha on pitkiä aikoja käyttämättä, irrota teräketju ja laippa ja säilytä ne öljyyn upotettuna. Säilytä ketjusahaa kuivassa, turvallisessa paikassa poissa lasten ulottuvilta.
- ◆ **Öljysäiliö kannattaa tyhjentää ennen varastointia.**
- ◆ **Varmista, että seisot tukevalla alustalla.** Katso etukäteen turvallinen poistumisreitti kaatuvan puun tieltä.
- ◆ **Ohjaa puun kaatumissuuntaa kiiloilla.** Kiilojen avulla voit myös estää ketjun ja laipan juuttumisen leikkausuraan.
- ◆ **Teräketjun huoltaminen.** Pidä teräketju terävänä ja sopivan tiukalla. Huolehdi siitä, että teräketju ja laippa ovat puhtaat ja hyvin öljytyt. Kahvojen tulee olla kuivat, puhtaat ja rasvattomat.

### Takapotkun voi aiheuttaa:

- ◆ **Sahan kärjen osuminen vahingossa oksiin tai muihin esineisiin ketjun pyöriessä.**
- ◆ **Terän osuminen puun lähellä tai sisällä olevaan metalliin, betoniin tai muuhun kovaan materiaaliin.**
- ◆ **Tylsä tai löysä ketju.**
- ◆ **Sahaaminen hartiatason yläpuolella.**
- ◆ **Tarkkaavaisuuden herpaantuminen sahausajan aikana.**
- ◆ **Kurkottaminen.** Varmista aina hyvä jalansija ja tasapaino äläkä kurkota.
- ◆ **Älä sahaa vanhasta sahausurasta.** Se voi aiheuttaa takapotkun. Tee joka kerta uusi sahausviilto.



- ◆ Älä käytä ketjusahaa puussa, tikapuilla tai millään epävakaailla alustalla. Jos teet niin, muista, että tällainen työskentelyasento on erittäin vaarallinen.
- ◆ Kun sahaat jännittynyttä oksaa, huomioi, että se voi singahtaa takaisin.

#### Vältä:

- ◆ Käsitellyn puutavaran sahaamista.
- ◆ Maahan sahaamista.
- ◆ Verkkoaitojen, naulojen ja muiden sellaisten sahaamista.
- ◆ Pensaiden tai aivan pienten puiden sahaamista. Taipuisa oksa voi juuttua teräketjuun ja iskeä sahaajaan horjuttaen hänen tasapainoaan.
- ◆ Älä käytä ketjusahaa hartiatason yläpuolella.
- ◆ Varmista, että joku on lähellä (mutta turvallisen etäisyyden päässä) onnettomuuden varalta.
- ◆ Jos sinun on jostakin syystä kosketettava teräketjua, varmista sitä ennen, että ketjusaha on kytketty pois päältä ja akku irrotettu.
- ◆ Tämän laitteen melutaso voi ylittää 80 dB(A). Tämän vuoksi on suositeltavaa käyttää asianmukaisia kuulonsuojaimia.

#### Jäännösriskit

Myös muut kuin turvavaroituksissa mainitut riskit ovat mahdollisia laitetta käytettäessä. Nämä riskit voivat liittyä muun muassa virheelliseen tai pitkäaikaiseen käyttöön. Tiettyjä jäännösriskejä ei voi välttää, vaikka noudatat kaikkia turvamääräyksiä ja käytät turvalaitteita. Niihin kuuluvat seuraavat:

- ◆ Pyörivien tai liikkuvien osien koskettamisen aiheuttamat vahingot.
- ◆ Osia, teriä tai lisävarusteita vaihdettaessa aiheutuneet vahingot.
- ◆ Työkalun pitkäaikaisen käytön aiheuttamat vahingot. Varmista, että pidät säännöllisesti taukoja laitteen pitkäaikaisen käytön aikana.
- ◆ Kuulon heikentyminen.
- ◆ Työkalua käytettäessä (esimerkiksi puuta, erityisesti tammea, pöykkiä ja MDF-levyjä käsiteltäessä) syntyneen pölyn sisäänhengityksen aiheuttamat terveysriskit.

#### Melu ja tärinä

Teknisissä tiedoissa ja vaatimustenmukaisuusvakuutuksessa ilmoitetut tärinä- ja melupäästöarvot on mitattu EN 62841-standardin testausmenetelmän mukaisesti, ja arvoa voi käyttää työkalujen keskinäiseen vertailuun. Ilmoitettuja tärinä- ja melupäästöarvoja voi käyttää myös altistumisen alustavaan arviointiin.

**Varoitus!** Sähkötyökalun käytön aikana mitattu todellinen tärinä- ja melupäästöarvot voi poiketa ilmoitetusta tärinäpäästöarvosta työkalun käyttötavan mukaan.

Tärinätaso voi olla ilmoitettua tasoa suurempi.

Kun tärinälle altistumista arvioidaan sen määrittämiseksi, mitä direktiivin 2002/44/EY mukaisia turvatoimenpiteitä vaaditaan sähkötyökaluja säännöllisesti käyttävien henkilöiden suojelemiseksi, tärinälle altistumisen arvioinnissa on otettava huomioon todelliset käyttöolosuhteet ja työkalun käyttötavat. Todellisen käytön lisäksi on kiinnitettävä huomiota myös siihen, milloin työkalu on sammutettuna tai se käy tyhjäkäynnillä.

#### Työkalun merkit

Työkaluun on merkitty päivämääräkoodi sekä seuraavat varoitusmerkinnät:



**Varoitus!** Käyttäjän on luettava käyttöohje vahinkojen välttämiseksi.



Älä käytä sahaa sateella tai kosteassa.



Käytä aina kypärää, kuulonsuojaimia ja suojalaseja.



Käytä aina hengityssuojainta



Käytä aina suojakäsineitä.



Käytä aina liukuesteturvajalkineita.



Pidä ketjusahaa aina hyvin molemmilla käsillä.



Kiinnitä huomiota ketjusahan takapotkuun ja vältä kosketusta terälevyn kärkeen.



Älä käytä ketjusahaa yhdellä kädellä.

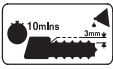


Sammuta laite. Poista akku ennen työkalun huoltamista.



Varo putoavia esineitä. Pidä sivulliset loitolla





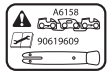
Varmista jatkuva turvallinen toiminta tarkistamalla ketjun kireys tässä käyttöohjeessa kuvatulla tavalla aina 10 käyttöminuutin jälkeen. Säädä ketjua takaisin 3 mm:n välykseen tarpeen vaatiessa. Lisää ketjun voiteluöljyä 10 minuutin välein.



**Varoitus!** Älä kosketa ketjua lastujen poistoaikon kohdalla



Ketjun pyörimissuunta.



Jatkuva turvallinen toiminta edellyttää, että teräketju ja laippa vaihdetaan vain alkuperäisiin STANLEY FATMAX varaosiin. Varaosana saatavan ketjun tuotenumero on A6158 ja laipan 90619609.



Direktiivi 2000/14/EY mukainen taattu ääniteho.

## Akkuja ja laturia koskevat lisäturvaohjeet

### Akut

- Älä koskaan yritä avata mistään syystä.
- Älä anna akun kastua.
- Älä altista akkua kuumuudelle.
- Älä säilytä akkuja tiloissa, joissa lämpötila voi nousta yli 40°C:een.
- Lataa akku paikassa, jonka lämpötila on vähintään 10 °C ja enintään 40 °C.
- Käytä akun lataamiseen vain laitteen mukana toimitettua laturia. Väärin tyyppinen laturi voi aiheuttaa sähköiskun tai akun ylikuumenemisen.
- Noudata akkuja hävittäessäsi kohdassa "Ympäristönsuojelu" annettuja ohjeita.
- Suojaa akkua vahingoittumiselta niin, ettei sen kotelo rikkoudu eikä siihen kohdistu iskuja, sillä muutoin voi syntyä henkilövahinkojen ja tulipalon vaara.
- Älä lataa viallisia akkuja.

**Vaativissa oloissa voi ilmetä akkuvuotoja. Jos havaitset akkujen pinnalla nestettä, pyyhi se huolellisesti pois.**

Vältä ihokosketusta.

Jos nestettä joutuu silmiin tai iholle, noudata alla olevia ohjeita.

**Varoitus! Akkuneste voi aiheuttaa aineellisia vahinkoja tai henkilövahinkoja.** Jos nestettä joutuu iholle, se on välittömästi huuhdeltava pois vedellä. Jos ihoa kirvelee tai se punottaa tai on muuten ärtynyt, kysy lisäohjeita lääkäriltä. Jos nestettä joutuu silmiin, huuhto välittömästi puhtaalla vedellä ja mene lääkäriin.

### Laturit

**Varoitus! Laturi on tarkoitettu tietyille jännitteelle.** Tarkista aina, että verkkojännite vastaa arvokilvessä ilmoitettua jännitettä.

**Varoitus!** Älä yritä vaihtaa laturiin tavallista verkkovirran pistoketta.

- Käytä STANLEY FATMAX -laturia vain laitteen/työkalun mukana toimitetun akun lataamiseen. Muut akut voivat räjähtää ja aiheuttaa henkilö- ja omaisuusvahinkoja.
- Älä koskaan yritä ladata akkuja, joita ei ole tarkoitettu ladattavaksi.
- Jos virtajohto vahingoittuu, sen vaihtaminen on turvallisuussyistä jätettävä valmistajan tai valtuutetun STANLEY FATMAX -huollon tehtäväksi.
- Älä altista laturia vedelle.
- Älä avaa laturia.
- Älä työnnä mitään laturin sisään.
- Laturin on oltava lataamisen aikana paikassa, jossa on kunnollinen ilmanvaihto.

### Laturin merkinnät

Laturissa on seuraavat merkinnät:



Laturi on tarkoitettu ainoastaan sisäkäyttöön.



Lue käyttöohjeet huolellisesti ennen laitteen käyttöä.

### Sähköturvallisuus



Laturi on kaksoiseristetty, joten erillistä maadoitusta ei tarvita. Tarkista aina, että verkkojännite vastaa arvokilvessä ilmoitettua jännitettä. Älä yritä vaihtaa laturiin tavallista verkkovirran pistoketta.

- Jos virtajohto vahingoittuu, sen vaihtaminen on turvallisuussyistä jätettävä valmistajan tai valtuutetun STANLEY FATMAX -huollon tehtäväksi.

### Ominaisuudet

1. Virtakytkin
2. Lukituksen vapautusvipu
3. Ketjujarru/etusuoja
4. Laippa
5. Teräketju
6. Hammaspyörän suoju
7. Laipan lukitusmutteri
8. Ketjun kiristysruuvi
9. Öljysäiliön tulppa
10. Öljytason ilmaisim
11. Laippasuojus
12. Takakahva
13. Etukahva

14. Akku
15. Akun vapautuspainike
16. Kuusiokoloavain
17. Kuusiokoloavaimen säilytystila

## Asennus

**Varoitus!** Irrota akku (14) aina ennen kokoamista.

### Akun lataaminen (kuva A)

Lataa akku ennen ensimmäistä käyttökertaa ja aina, kun se ei enää tuota riittävästi virtaa toimintoihin, jotka aiemmin sujuivat helposti. Akku voi lämmetä ladattaessa. Tämä on normaalia, eikä se ole merkki mistään viasta.

**Varoitus!** Älä lataa akkua alle 10 °C tai yli 40 °C asteen lämpötilassa. Suositeltava latauslämpötila on noin 24 °C.

**Huomaa:** Laturi ei lataa akkua, jos akun kennon lämpötila on alle 10 °C tai yli 40 °C.

Akku tulee jättää laturiin ja laturi aloittaa latauksen automaattisesti, kun kennon lämpötila nousee tai laskee.




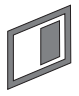


- ◆ Lataa akku (14) asettamalla se laturiin (18). Akku sopii laturiin vain yhdellä tavalla. Älä pakota. Varmista, että akku on kunnolla laturissa.
- ◆ Kytke laturi pistorasiaan.

Lataustilan ilmaisimien (18a) vilkkuu.

Akku on ladattu, kun latauksen merkkivalo (18a) palaa keskeytyksettä. Akku voidaan jättää laturiin vaikka kuinka pitkäksi aikaa. Merkkivalo alkaa vilkkua ns. täydennyslatauksen ajaksi.

- ◆ Lataa akut viikon kuluessa tyhjentymisestä. Akkujen käyttöikä lyhenee merkittävästi, jos ne jätetään tyhjiksi pitkäksi aikaa.

### Laturin LED-merkkivalojen tilat

	<b>Lataaminen:</b> Vihreä LED Jaksottainen	
	<b>Ladattu täyteen:</b> Vihreä LED Pysyvä	
	<b>Akun kuuma-/kylmäviive:</b> Vihreä LED Jaksottainen Punainen LED Pysyvä	

**Huomaa:** Yhteensopivat laturit eivät lataa viallista akkua. Jos laturin merkkivalot eivät syty, akku on viallinen.

**Huomaa:** Tämä voi tarkoittaa myös laturivikaa. Jos laturi ilmoittaa ongelmasta, vie laturi ja akku testattavaksi valtuutettuun huoltopalveluun.

### Akun jättäminen laturiin

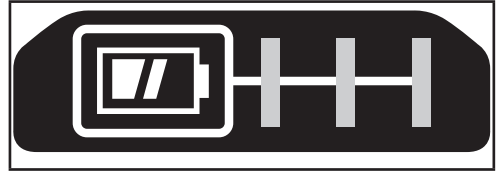
Akku voidaan jättää laturiin, kun merkkivalo palaa. Laturi pitää akun käyttövalmiina ja ladattuna.

### Kuuma-/kylmäviive

Kun laturi tunnistaa liian kuumen tai kylmän akun, se käynnistää automaattisesti akun kuuma-/kylmäviiveen, vihreä LED-merkkivalo (18a) vilkkuu ja punainen merkkivalo LED (18b) palaa jatkuvasti, jolloin lataus keskeytyy, kunnes akku on saavuttanut oikean lämpötilan. Laturi siirtyy tämän jälkeen automaattisesti akun lataustilaan. Tämä toiminto takaa akun maksimaalisen käyttöiän.

### Akun varaustilan merkkivalo (kuva B)

Akussa on varaustilan merkkivalo, joka mahdollistaa akun käyttöajan määrittämisen nopeasti kuvan B mukaisesti. Voit tarkistaa akun jäljellä olevan käyttöajan helposti painamalla varaustilan painiketta (14a) kuvan B mukaisesti.



### Akun asentaminen ja poistaminen (kuva L)

**Varoitus!** Varmista, että työkalun/laitteen virta on katkaistu käyttökymisestä, ennen kuin asennat akun.

**Huomaa:** Parhaiden tuloksien saavuttamiseksi on varmistettava, että akku on ladattu täyteen.

- ◆ Asenna akku (14) työkalun kahvaan kohdistamalla akku työkalun kahvan sisällä oleviin uriin ja liu'uttamalla sen kahvaan, kunnes akku on hyvin paikoillaan työkalussa. Varmista, että akku pysyy paikoillaan.
- ◆ Voit poistaa akun työkalusta painamalla akun vapautuspainiketta (15) ja vetämällä akun irti työkalun kahvasta. Laita se laturiin noudattamalla käyttöohjeen laturiosion ohjeita.

### Laipan ja teräketjun asentaminen (kuvat D-H)

**Varoitus!** Ketju on terävä. Käytä aina suojakäsineitä ketjun käsittelyn aikana. Ketju on terävä ja voi aiheuttaa haavan myös liikkumattomana ollessaan.

**Varoitus!** Terävä liukuva ketju. Jotta laite ei käynnistyisi vahingossa, varmista, että akku on irrotettu laitteesta ennen seuraavien toimenpiteiden suorittamista. Jos näin ei menetellä, seurauksena saattaa olla vakava tapaturma. Jos teräketju (5) ja laippa (4) on pakattu erikseen laatikkoon, ketju tulee kiinnittää laippaan ja ne tulee kiinnittää työkalun runkoon.

- ◆ Aseta saha tasaiselle ja vakaalle alustalle.
- ◆ Kierrä laipan lukitusmutteria (7) vastapäivään pakkaukseen kuuluvalla kuusiokoloavaimella (16).

- ◆ Poista hammaspyörän suojus (6), ja laipan lukitusmutteri (7).
- ◆ Tartu teräketjuun (5) suojakäsineitä käyttäen ja kääri se laippaan (4) varmistaen, että hampaat osoittavat oikeaan (kuva H) suuntaan.
- ◆ Varmista, että ketju on asetettu oikein aukkoon koko laipan ympärille.
- ◆ Aseta teräketju hammaspyörän (19) ympärille. Kohdista samalla laipassa oleva aukko ketjun kiristystappiin (20) ja pulttiin (21) laitteen alaosassa kuvan E mukaisesti.
- ◆ Kun osat on kiinnitetty, pitele laippaa paikoillaan ja asenna hammaspyörän suojus (6) takaisin. Asenna ensin hammaspyörän suojuksen takaosa, kierrä se alas ja varmista, että suojan pultin reikä kohdistuu pulttiin (21) pääkotelossa.
- ◆ Asenna laipan lukitusmutteri (7) ja kierrä niitä myötäpäivään pakkaukseen kuuluvalla kuusiokoloavaimella (16) kunnes ne ovat kireällä. Löysää sitten muttereita yhden kierroksen verran niin, että teräketju voidaan kiristää oikeaoppisesti.
- ◆ Kierrä ketjun kiristysruuvia (8) myötäpäivään kireyden lisäämiseksi kuvan D mukaisesti. Varmista, että teräketju (5) on asetunut hyvin laippaan (4). Kiristä laipan lukitusmutteri (7) kireälle.
- ◆ Noudata osion Ketjun kireyden säätäminen ohjeita.

### Ketjun kireyden säätäminen (kuvat D-H)

**Varoitus!** Virheellinen teräketjun kireys voi saada teräketjun irtoamaan laipasta ja aiheuttaa vakavan loukkaantumisen tai kuoleman.

**Huomaa:** Teräketjun kireys tulee säätää säännöllisesti ennen jokaista käyttökertaa.

- ◆ Tarkista teräketjun (5) kireys, kun saha on tukevalla alustalla. Kireys on oikeaoppinen, kun teräketju napsahtaa takaisin sitä vetäessä 3 mm:n verran laipasta (4) pois päin kevyellä voimalla pitäen ketjua keskisormen ja peukalon välissä kuvan F mukaisesti. Laipan ja teräketjun väliin alaosaan ei saa jäädä "notkoa" kuvan G mukaisesti.
- ◆ Säädä teräketjun kireys löysäämällä laipan lukitusmutteri (7).
- ◆ Kierrä kotelon etuosassa olevaa teräketjun kiristysruuvia (8) kuusiokoloavaimen tasapaisella ruuvimeisselillä (16).
- ◆ Tarkista teräketjun kireys ja säädä tarvittaessa.
- ◆ Älä kiristä teräketjua liikaa, sillä se aiheuttaa ylimääräistä kulumista ja lyhentää laipan ja teräketjun käyttöikä. Liiallinen kireys pienentää myös leikkauksien määrää yhtä akun latauskertaa kohti.
- ◆ Kun teräketjun kireys on oikea, kiristä laipan lukitusmutteri (7) kireälle. Kiristä laipan lukitusmutteri (7) arvoon 8 Nm.
- ◆ Uusi ketju venyy hiukan ensimmäisten käyttötuntien aikana.

Kireys on tärkeää tarkistaa tiheään (akun irrottamisen jälkeen poista akku) kahden ensimmäisen käyttötuntin aikana.

### Teräketjun vaihtaminen (kuvat D-H)

**Varoitus!** Terävä liikkuva ketju. Jotta laite ei käynnistyisi vahingossa, varmista, että akku on irrotettu laitteesta ennen seuraavien toimenpiteiden suorittamista. Jos näin ei menetellä, seurauksena saatava olla vakava tapaturma.

**Huomio:** Ketju on terävä. Käytä aina suojakäsineitä ketjun käsittelyn aikana. Ketju on terävä ja voi aiheuttaa haavan myös liikkumattomana ollessaan.

**Huomio:** Tämän tuotteen ketjun nopeus on 8.6 m/s. Käytä ainoastaan ketjuja, joiden nimellinopeus on yli 8.6 m/s.

- ◆ Aseta saha tasaiselle ja vakaalle alustalle.
- ◆ Poista hammaspyörän suojus (6) osion Laipan ja teräketjun asentaminen mukaisesti.
- ◆ Poista teräketju (5) kiertämällä kotelon etuosassa olevaa ketjun kiristysruuvia (8) avaimen tasapaisella ruuvimeisselillä. Kierrä ruuvia vastapäivään niin, että laippa (4) vetäytyy ja vähentää ketjun kireyttä mahdollista sen poistamiseksi.
- ◆ Käytä suojakäsineitä, tartu teräketjuun ja nosta kulunut teräketju pois laipan urasta.
- ◆ Tasaisen kulumisen varmistamiseksi laippa tulee kääntää aina ketjun vaihtamisen yhteydessä.
- ◆ Aseta uusi ketju laipan aukkoon varmistaen, että sahan hampaat osoittavat oikeaan suuntaan, kun teräketjussa oleva nuoli ja kuva osoittavat samaan suuntaan kuin hammaspyörän suojus (6) kuten kuvassa H.
- ◆ Noudata ohjeita Laipan ja teräketjun asentaminen. Ketjun ja laipan varaosat ovat saatavilla paikallisesta valtuutetusta huoltopalvelusta. Tämä ketjusaha vaatii varaketjun (304 mm). Varalaippa (304 mm).

### Teräketjun ja laipan voitelu (kuva I)

#### Automaattinen voitelujärjestelmä

Tässä ketjusahassa on teräketjun ja laipan automaattinen voitelujärjestelmä.

Öljytason ilmaisin (10) näyttää ketjusahan öljytason. Jos öljytaso laskee alle neljänneksen, irrota akku ketjusahasta ja täytä öljysäiliö oikealla öljytyypillä.

Tyhjennä öljysäiliö aina sahaamisen lopettamisen jälkeen. Tyhjennä öljysäiliö aina ennen tämän laitteen varastointia.

**Huomaa:** Älä käytä tätä ketjusahaa ilman öljyä.

**Huomaa:** Käytä aina korkealaatuista biohajoavaa laippaa ja ketjuöljyä teräketjun ja laipan asianmukaista voitelua varten. Puita karsittaessa suositellaan kasvipojajista tanko- ja ketjuöljyä, sillä mineraalipohjaiset öljyt voivat vahingoittaa eläviä puita. Älä koskaan käytä likaista, käytettyä tai saastunutta öljyä. Muutoin laite voi vaurioitua.

## Öljysäiliön täyttäminen

- ◆ Irrota kiertämällä vastapäivään ja poista sitten öljysäiliön tulppa (9). Täytä säiliö suositellulla laipan ja ketjun öljyllä, kunnes öljytaso on saavuttanut öljytason ilmaisimen (10) ylätasen.
- ◆ Asenna öljysäiliön korkki takaisin ja kiristä kiertämällä myötäpäivään.
- ◆ Kytke ketjusaha säännöllisesti pois päältä ja tarkista öljytason ilmaisin varmistaaksesi, että laippa ja ketju on voideltu oikeaoppisesti. Kytke ketjusaha säännöllisesti pois päältä ja tarkista öljytason ilmaisin varmistaaksesi, että laippa ja ketju on voideltu oikeaoppisesti.

## Ketjusahan kuljetus (kuva J)

- ◆ Sammuta aina laite, irrota akku ja peitä laippa (4) laippasuojuksella (11) ennen ketjusahan kuljettamista.

## Käyttö

**Varoitus!** Vakavan henkilövahingon vaaran vähentämiseksi katkaise laitteesta virta ja poista akku ennen säätämistä tai varusteiden irrottamista tai asentamista. Tahaton käynnistyminen voi johtaa henkilövahinkoihin.

## Oikeaoppinen käsien asento (kuva K)

**Varoitus!** Voit vähentää vakavan henkilövahingon vaaraa pitämällä kädet aina oikeassa asennossa.

**Varoitus!** Voit vähentää vakavan henkilövahingon vaaraa pitämällä työkalua aina tiukassa otteessa.

Käsien oikea asento tarkoittaa vasemman käden pitämistä etukahvassa (13) ja oikean käden pitämistä takakahvassa (12).

## Ketjusahan käyttäminen (kuva K)

**Varoitus!** Lue ja varmista, että ymmärrät kaikki ohjeet. Jos kaikkia ohjeita ei noudateta, on olemassa sähköiskun, tulipalon ja/tai vakavan henkilövahingon vaara.

- ◆ Varo takapotkuja, sillä ne voivat aiheuttaa vakavia henkilövahinkoja ja kuolemanvaaran. Katso Laitteen yleiset turvallisuusvaroitukset ja Ketjusahan yleiset turvallisuusvaroitukset, ja Takaiskun syyt ja ehkäiseminen ja Takaiskun turvallisuusominaisuudet välttääksesi takaiskun vaaran.
- ◆ Älä kurkottele. Ei saa leikata rinnan yläpuolella. Varmista hyvä jalansija. Pidä jalat erillään. Varmista, että painosi jakautuu tasaisesti molemmille jaloille.
- ◆ Pidä vasemmalla kädellä tiukasti kiinni etukahvasta (13) ja oikealla kädellä kiinni takakahvasta (12) niin, että kehosi on laipan (4) vasemmalla puolella.
- ◆ Älä pidä kiinni ketjusahan ketjujarrusta/etusuojusta (3). Pidä vasemman käsivarren kynärpää lukittuna niin, että vasen käsivarsi on suorassa mahdollista takapotkua varten.

**Varoitus!** Älä koskaan tartu sahaan kädet ristissä (vasen käsi takakahvassa ja oikea käsi etukahvassa).

**Varoitus!** Älä koskaan anna kehonosien olla samansuuntaisesti laippaan nähden ketjusahan käyttämisen aikana.

- ◆ Älä koskaan käytä puussa, epämukavassa asennossa, tikapuilla tai muulla epävakaaalla alustalla. Sahan hallinnan menetys voi aiheuttaa vakavia henkilövahinkoja.
- ◆ Anna ketjusahan käydä täydellä nopeudella koko sahausken ajan.
- ◆ Anna teräketjun leikata puolestasi. Käytä ainoastaan kevyttä painetta. Älä kohdista painetta ketjusahaan sahausken loppuvaiheessa.

**Varoitus!** Kun sahaa ei käytetä, kytke ketjujarru aina päälle ja irrota akku.

## Ketjujarrun asettaminen (kuvat K, L)

Ketjusahassa on ketjun jarrutusjärjestelmä, joka pysäyttää ketjun nopeasti takaiskun sattuessa.

- ◆ Varmista, että ketjujarru/etusuoja (3) on etuasennossa.
- ◆ Aseta akku (14) työkaluun.
- ◆ Vedä ketjujarrua/etusuoja (3) etukahvaa (13) kohti "asetettu/valmis"-asettoa kuvan L mukaisesti.
- ◆ Saha on nyt käyttövalmis.
- ◆ Varmista käytön jälkeen, että ketjujarru/etusuoja on etuasennossa.
- ◆ Poista akku.

**Huomaa:** Takaiskutilanteessa vasen käsi osuu etusuojaan työntäen sitä eteenpäin työstökappaletta kohti. Työkalu pysähtyy tämän seurauksena.

## Ketjujarrun testaaminen (kuva L)

Testaa ketjujarru ennen jokaista käyttökertaa varmistaaksesi, että se toimii oikein.

- ◆ Aseta laite tasaiselle ja vakaalle alustalle. Varmista, että teräketju (5) on maasta irti.
- ◆ Pidä laitteesta hyvin kiinni molemmilla käsillä ja käynnistä ketjusaha.
- ◆ Kierrä vasenta kättä etukahvasta (13) pitäen eteenpäin niin, että kätesi takaosa koskettaa ketjujarrua/etusuoja (3) ja työnnä sitä eteenpäin työstökappaletta kohti. Teräketjun tulee pysähtyä välittömästi.

**Huomaa:** Jos saha ei pysähdy välittömästi, lopeta laitteen käyttö ja vie se lähimpään valtuutettuun huoltopalveluun.

**Varoitus!** Varmista, että asetat ketjujarrun ennen sahaamista.

## Virtakytin (kuva M)

Varmista aina hyvä jalansija ja pidä ketjusahan kahvoista tiukasti kiinni molemmilla käsillä peukalo ja sormet kahvojen ympärillä.

- ◆ Kytke laite päälle, paina lukitusvipu (2) alas kuvan M mukaisesti ja paina liipaisukytkin (1) alas. Kun laite on toiminnassa, lukituksen vapautusvipu voidaan vapauttaa.

- ◆ Pidä laite käynnissä pitämällä liipaisukytkintä alhaalla. Sammuta työkalu vapauttamalla liipaisukytkin.

### Teräketjun teroittaminen (kuvat N-P)

**Huomio:** Ketju on terävä. Käytä aina suojakäsineitä ketjun käsittelyn aikana. Ketju on terävä ja voi aiheuttaa haavan myös liikkumattomana ollessaan.

**Varoitus!** Terävä liikkuva ketju. Jotta laite ei käynnistyisi vahingossa, varmista, että akku on irrotettu laitteesta ennen seuraavien toimenpiteiden suorittamista. Jos näin ei menetellä, seurauksena saattaa olla vakava tapaturma.

**Huomaa:** Leikkuuterät tylsyvät heti, jos ne sahattaessa osuvat maahan tai naulaan.

Jotta ketjusaha toimisi parhaalla mahdollisella tavalla, teräketjun hampaat on pidettävä terävinä. Teräketjun oikeaoppiset teroitusohjeet:

- ◆ Käytä parhaiden tuloksien saavuttamiseksi 4,5 mm:n viilaa ja viilan pidikettä tai viilanhjainta teräketjun teroittamiseen. Tämä varmistaa oikeat teroituskulmat.
- ◆ Aseta viilan pidike tasaisesti terän ylälevyyn ja syvyysohjaimen.
- ◆ Säilytä ylälevyn (22) oikea viilaukulma 30° viilanhjaimessa samansuuntaisesti ketjuun nähden (viilaa 60° kulmassa ketjusta sivusta katsottuna) kuvan mukaisesti.
- ◆ Teroita terät ensin ketjun toisella puolen. Viilaa kunkin terän sisäpuolelta ulospäin. Käännä saha sitten toisinpäin ja toista vaiheet (2, 3, 4) ketjun toisella puolella olevien terien kohdalla.

**Huomaa:** Viilaa tasaisella viilalla säätöhampaiden yläosat (ketjun liitososa terän edessä) niin, että ne ovat noin 0,635 mm terien kärkien alapuolella alla olevan kuvan mukaisesti.

- ◆ Varmista, että kaikki leikkurin pituudet ovat yhtä suuria kuvan O mukaisesti.
- ◆ Jos ylä- tai sivulevyjen kromipinnassa on vaurioita, poista vauriot viilaamalla.

**Huomio:** Viilaamisen jälkeen terä on terävä. Noudata erityistä huolellisuutta tämän toimenpiteen aikana.

**Huomaa:** Kun ketju teroitetaan, se menettää hiukan alhaisen takaiskun ominaisuuksiaan ja erityistä varovaisuutta on noudatettava. Teräketju on suositeltavaa teroittaa korkeintaan neljä kertaa.

### Kuusiokoloavaimen säilytystila (kuva Q)

Kun kuusiokoloavainta (16) ei käytetä, aseta se työkalun alaosassa olevaan kuusiokoloavaimen säilytystilaan (17). Irrota kuusiokoloavaimen säilytystilasta sitä vetämällä. Paina kuusiokoloavaimen säilytystilaan sen säilytystä varten.

### Stanley Track Wall System (kuvat R, S)

**Varoitus!** Vakavan henkilövahingon vaaran vähentämiseksi katkaise laitteesta virta ja poista akku ennen säätämistä tai varusteiden irrottamista tai asentamista.

Tahaton käynnistyminen voi johtaa henkilövahinkoihin.

**Varoitus!** Vakavien henkilövahinkojen riskin vähentämiseksi älä käytä vaurioitunutta Stanley Track Wall System -riipustuskoukkuja tai Stanley Track Wall System -järjestelmää. Vaurioitunut Stanley Track Wall System -riipustuskoukku tai Stanley Track Wall System -kisko ei kestä työkalun painoa.

**Varoitus!** Jotta vähennetään vakavan henkilöloukkaantumisen riskiä, ÄLÄ ripusta työkalua pään yläpuolelle tai älä ripusta esineitä koukusta. Ripusta työkalu VAIN Stanley Track Wall System -järjestelmän kiskoon ripustuskoukulla.

**Varoitus!** Stanley Track Wall System -järjestelmän ripustuskoukku on tarkoitettu työkalun kiinnittämiseen Stanley Track Wall System -kiskoon.

Älä käytä ripustuskoukkuja työkalun asentamiseen muihin pintoihin.

**Varoitus!** Stanley Track Wall System -riipustuskoukku ei ole vyökoukku.

**Varoitus!** Kun ripustat esineitä Stanley Track Wall System -kiskoon, aseta työkalut riittävän etäälle toisistaan, jotta ne eivät ylitä 35 kg:n painoa lineaarista jalkaa kohden.

**Varoitus!** Ennen työkalun käyttämistä tulee varmistaa, että Stanley Track Wall System -riipustuskoukku on palautettu alkuperäiseen asentoonsa.

**Tärkeää:** Stanley Track Wall System -lisävarusteiden avulla yhteensopivat työkalut voidaan kiinnittää tukevasti Stanley Track Wall System -järjestelmään.

Kytke työkalu pois päältä, irrota akku ja poista lisävarusteet. Asenna laippasuojus (11) laippaan (4).

**Huomio:** Kaikki Stanley Track Wall System -kiskoon kiinnitettävät tuotteet, joissa on paljaita leikkaushampaita, on suojattava asianmukaisesti.

Asenna ripustuskoukku (23) Stanley Track Wall System -kiskoon kuvien R, S mukaisesti. Kuulel napsahduksen, kun se lukittuu paikoilleen.

**Huomaa:** Työkalusi kanssa käytettäväksi suositeltuja Stanley Track Wall System -lisävarusteita on saatavissa paikalliselta jälleenmyyjältä tai valtuutetuista huoiloista.

### Yleiset leikkaustekniikat

#### Puun kaataminen (kuvat T, U)

Puun kaataminen sahaamalla. Puita ei saa kaataa erittäin tuulisissa olosuhteissa.

**Varoitus!** Puita kaataessa on olemassa henkilövahinkovaara. Sen saa suorittaa ainoastaan vastaavan koulutuksen saanut henkilö.

Suunnittele ja vapauta perääntymisreitti ennen sahaamisen aloittamista. Perääntymisreitti tulee ulottua taakse ja diagonaalisesti odotetun kaatumislinjan taakse alla olevan kuvan mukaisesti.

- ◆ Huomioi puun luonnollinen kaltevuus, suurimpien oksien sijainti ja tuulen suunta ennen puun kaatamisen aloittamista ja päättelee niiden perusteella puun kaatamissuuntaa. Pidä kiiloja (puiset, muoviset tai alumiiniset) ja raskasta nuijaa käytettävissä. Poista epäpuhtaudet, kivet, irtonainen kuori, naulat, niitit ja langat puusta, johon kaatosahaukset suoritetaan.
- ◆ Kaatolovi - Saha laovi 1/3 puun halkaisijasta kohtisuoraan kaatamissuuntaan. Suorita ensin alempi kaatolovi vaakasuoraan. Täten vältetään teräketjun tai laipan juuttuminen kiinni toista kaatolovea suorittaessa alla olevan kuvan mukaisesti.
- ◆ Kaatosahaus - Suorita kaatosahaus takana vähintään 51 mm vaakasuuntaista kaatolovea ylempänä. Kaatosahaus on suoritettava samansuuntaisesti kaatoloveen nähden. Suorita kaatosahaus niin, että puuta jää riittävästi saranaksi. Saranaosa estää puun kääntymisen ja kaatumisen väärään suuntaan. Älä leikkaa saranan läpi alla olevan kuvan mukaisesti.
- ◆ Puu alkaa kaatua, kun kaatosahaus lähestyy saranaa. Jos on olemassa mahdollisuus, että puu ei kaadu haluttuun suuntaan tai että se voi kallistua taakse ja aiheuttaa teräketjun kiinni juuttumisen, lopeta sahaaminen ennen kaatosahauksen loppuun suorittamista ja avaa katkaisukohta kiiloilla puun kaatamiseksi haluttuun suuntaan. Kun puu alkaa kaatua, poista ketjusaha leikkuukohdasta, sammuta moottori, aseta ketjusaha alas ja käytä suunniteltua perääntymisreitittiä. Varo ylhäältä putoavia suuria oksia ja varmista hyvä jalansija.

- ◆ Kun ketjusaha on 45° kulmassa, aseta ketjusaha uudelleen tasalle ja toista vaiheet, kunnes katkaiset puun kokonaan.
- ◆ Kun puuta tuetaan koko pituudelta (kuva X), sahaa yläosasta (yläpölytyks) välttäen leikkaamasta maata. Muutoin saha tylsyy nopeasti.
- ◆ Kun se on tuettuna yhdestä päästä (kuva Y), leikkaa ensin 1/3 halkaisijasta alapuolelta (alapölytyks). Viimeistelet katkaisu sitten yläpölytyksellä ensimmäiseen sahaukseen saakka kuvan Y mukaisesti.
- ◆ Kun se on tuettuna molemmista päistä (kuva Z), leikkaa ensin 1/3 yläpölytyksestä. Viimeistelet katkaisu sitten alapölytyksellä 2/3 ensimmäiseen sahaukseen saakka kuvan Z mukaisesti.

## Vianmääritys

Ongelma	Mahdollinen syy	Mahdollinen ratkaisu
Työkalu ei käynnisty	Lukituspainike ei ole päällä.	Paina lukituspainiketta.
	Akkua ei ole kiinnitetty	Kiinnitä akku
	Akku ei ole latautunut	Lataa akku
	Akkua ei ole kiinnitetty oikein	Irrota akku ja kiinnitä se uudelleen
Teräketju ei pysähdy 2 sekunnin sisällä laitteen kytkemisestä pois päältä	Ketju ei ole tarpeeksi kireä	Tarkista ketjun kireys
Laippa/terä tuntuu kuumalta tai savuaa	Öljysäiliö on tyhjä	Tarkista säiliön öljytaso
	Teräketjun voitelureikä on tukossa	Puhdista voitelureiät ja teräketjun laipan ura.
	Ketju on liian kireällä	Tarkista ketjun kireys
	Laipan hammersyöränokka on voideltava	Voitele laipan hammersyöränokka
Ketjusaha ei sahaa hyvin	Ketju on väärinpäin	Tarkista/muuta ketjun suunta
		Teroita
Ketjusaha ei käytä öljyä	Säiliössä on roskia	Poista öljy säiliöstä ja vaihda se
	Suojuksen voitelureikä on tukossa	Poista roskat reiästä
	Laipassa on roskia	Poista roskat ja puhdista laippa
	Öljynpoistoputkessa on roskia	Poista roskat

## Oksien katkaiseminen (kuva V)

Kaadetun puun oksien karsiminen. Jätä karsimisen ajaksi tukkiin suuret alaoksat kannattelemaan sitä irti maasta. Karsi pienet oksat yhdellä leikkauksella. Jännittyneet oksat tulee sahata alhaalta ylöspäin välttäen ketjusahan kiinni juuttumista kuvan V mukaisesti. Leikkaa oksat vastakkaiselta puolelta niin, että puun varsi on sinun ja sahan välissä. Älä koskaan sahatessasi pidä sahaa jalkojesi välissä tai asetu oksan ympärille hajareisiin.

## Katkaisu (kuva W, X, Y, Z)

**Varoitus!** Ensikäyttäjien on suositeltavaa harjoitella sahaamista sahapukilla.

- Kaadetun puun tai puunrunгон sahaaminen pölkyiksi. Sahaustapa määräytyy tukin tuennan perusteella. Käytä sahapukkia aina, kun mahdollista kuvan W mukaisesti.
- ◆ Aloita katkaisu aina sahan ketjun käydessä täydellä nopeudella.
  - ◆ Aseta ketjusahan alapiikki alustavan katkaisualueen taakse kuvan W mukaisesti.
  - ◆ Kytke ketjusaha päälle, kierrä sahan ketju ja laippa alas puuhun käyttäen piikkiä saranana.

Ongelma	Mahdollinen syy	Mahdollinen ratkaisu
Saha pysähtyy äkillisesti kesken käytön	Akku on tyhjentynyt	Tarkista akun varaustaso painamalla varaustilan merkivalon painiketta. Lataa akku tarvittaessa.
	Akku on liian kuuma	Anna akun jäähtyä vähintään 30 minuutin ajan ennen jatkamista tai lataamista.
	Ylijännitesuoja	Käynnistä saha uudelleen. Anna työkalun käydä omaan tahtiinsa. Älä ylikuormita sitä.

## Miten toimia, jos ketjusaha vaatii korjausta?

Ketjusaha on valmistettu asianmukaisten turvaohjeiden vaatimusten mukaisesti. Korjauksia saa tehdä vain Black & Deckerin valtuuttama huoltoliike, joka käyttää alkuperäisosa, muutoin koneen käyttäjälle voi aiheuta vaaratilanteita. Suosittelemme tämän käyttöohjeen säilyttämistä turvallisessa paikassa.

## Ympäristönsuojelu



Toimita tämä laite erilliseräykseen. Tällä symbolilla merkityt tuotteet ja akkuja ei saa hävittää tavallisen kotitalousjätteen mukana.

Tuotteissa ja akuissa on materiaaleja, jotka voidaan ottaa talteen tai kierrättää uudelleen käyttöä varten.

Kierrätä sähkölaitteet ja akut paikallisten määräyksien mukaan. Lisätietoa on saatavilla osoitteessa [www.2helpU.com](http://www.2helpU.com)

## Tekniset tiedot

SFMCSS730		
Jännite	$V_{DC}$	18
Laipan pituus	mm	300
Ketjun nopeus (kuormittamattomana)	m/s	6,7
Suurin sahauspituus	mm	250
Öljysäiliön tilavuus	ml	150
Paino	kg	2,51 (ilman teräketjua, laippaa, laipan suojusta, öljyä ja akkua)

Laturi		SFMCB11	SFMCB12	SFMCB14
Tulojännite	$V_{AC}$	230	230	230
Lähtöjännite	$V_{DC}$	18	18	18
Virta	A	1,25	2	4

Akku		SFMCB201	SFMCB202	SFMCB204	SFMCB206
Jännite	$V_{DC}$	18	18	18	18
Kapasiteetti	Ah	1,5	2,0	4,0	6,0
Tyyppi		Litiumioni	Litiumioni	Litiumioni	Litiumioni

Äänenpainetaso standardin EN 62841 mukaisesti:

$L_{PA}$  (äänenpaine) 87 dB(A), epävarmuus (K) 3 dB(A)

$L_{WA}$  (äänitehotaso) 99 dB(A), epävarmuus (K) 1,6 dB(A)

Tärinän kokonaisarvot (vektorisumma) standardin EN 62841 mukaisesti:

Tärinäpäästöarvo ( $a_h$ ) 6,5 m/s<sup>2</sup>, epävarmuus (K) 1,5 m/s<sup>2</sup>

## Huolto

Säännöllinen huolto varmistaa työkalun pitkän ja tehokkaan käyttöiän. Seuraavat tarkistukset kannattaa tehdä säännöllisesti.

**Varoitus!** Ennen sähkötyökalun huoltoa toimi seuraavasti:

- ◆ Sammuta työkalu ja irrota työkalun virtajohto sähköverkosta.

## Öljytaso

Säiliön öljytaso ei saa laskea alle 1/4.

## Teräketju ja laippa

- ◆ Irrota ketju ja laippa aina muutaman tunnin käytön jälkeen ja ennen varastointia ja puhdistusta ne huolellisesti.
- ◆ Varmista, että laippa on puhdas ja että siinä ei ole roskia.
- ◆ Voitele hammaspyöränokka ja terälevy hammaspyörän voitelureikien kautta. Näin laipan ketjuohjaimet kuluvat tasaisesti.

## Teräketjun teroittaminen

Jotta saha toimisi parhaalla mahdollisella tavalla, ketjun hampaat on pidettävä terävinä.

Teroitinpaketissa on ohjeet tähän.

## Kuluneen teräketjun vaihtaminen

Teräketjuja on saatavana valtuutetuista STANLEY FATMAX-huoltoliikkeistä ja jälleenmyyjiltä. Käytä aina vain alkuperäisiä varaosa.

## Teräketjun terävyys

Ketjun leikkuuterät tylsyvät heti, jos ne sahattaessa osuvat maahan tai naulaan.

## Teräketjun kireys

Tarkista teräketjun kireys säännöllisesti.



**EU-vaatimusten mukaisuusvakuutus**

KONEDIREKTIIVI



SFMCCS730 – Kompakti ketjusaha

STANLEY FATMAX ilmoittaa, että kohdassa Tekniset tiedot  
kuvatut tuotteet ovat seuraavien direktiivien vaatimusten  
mukaisia: 2006/42/EY,

EN 62841-1:2015+A11:2022, EN 62841-4-1:2020,  
2000/14/EY, liite V

LWA (mitattu äänitehotaso) 99 dB(A), epävarmuus (K) = 1,6  
dB (A),

LWA (taattu ääniteho) 101 dB(A)

Nämä tuotteet täyttävät myös direktiivien

2014/30/EU ja 2011/65/EU vaatimukset.

Lisätietoja saa ottamalla yhteyttä STANLEY FATMAX -yhtiöön  
seuraavaan osoitteeseen. Tiedot ovat myös käyttöoppaan  
takakannessa.

Allekirjoittanut vastaa teknisten tietojen kokoamisesta ja antaa  
tämän ilmoituksen STANLEY FATMAXin puolesta

*Patrick Diepenbach*

Patrick Diepenbach

Pääjohtaja, Benelux

Stanley FatMax,

Egide Walschaertsstraat 14-18

2800 Mechelen, Belgia

28.6.2023

**Takuu**

STANLEY FATMAX on vakuutunut tuotteidensa korkeasta  
laadusta ja tarjoaa kuluttajille 12 kuukauden takuun, joka  
astuu voimaan ostopäivänä. Takuu on lisäys kuluttajan laillisiin  
oikeuksiin eikä se vaikuta niihin. Tämä takuu on voimassa  
kaikissa EU- ja ETA-maissa sekä Isossa-Britanniassa.

Edellytyksenä takuun saamiselle on, että STANLEY FATMAX  
-ehdot ja että ostaja toimittaa ostotosiitteen jälleenmyyjälle  
tai valtuutetulle huoltoliikkeelle. STANLEY FATMAXin yhden  
vuoden takuun ehdot ja lähimmän valtuutetun korjauspalvelun  
yhteyshenkilöt ovat saatavilla osoitteessa [www.2helpU.com](http://www.2helpU.com)

com tai ottamalla yhteyttä paikalliseen STANLEY FATMAX  
-toimipisteeseen tässä ohjekirjassa ilmoitettuun osoitteisiin.

Käy verkkosivuiltamme osoitteessa [www.stanley.eu/3](http://www.stanley.eu/3) ja  
rekisteröi uusi STANLEY FATMAX -tuotteesi saadaksesi tietoa  
uusista tuotteista ja erikoistarjouksista.

**Προβλεπόμενη χρήση**

Το αλυσοπρίονο συμπαγών διαστάσεων STANLEY FATMAX,  
SFMCCS730 έχει σχεδιαστεί για ελαφρού τύπου εργασίες  
κοπής και κλαδέματος. Αυτή η συσκευή προορίζεται για  
επαγγελματική και ιδιωτική, μη επαγγελματική χρήση.

**Οδηγίες ασφαλείας****Γενικές προειδοποιήσεις ασφαλείας για ηλεκτρικά εργαλεία**

**ΠΡΟΕΙΔΟΠΟΙΗΣΗ!** Διαβάστε όλες τις  
προειδοποιήσεις ασφαλείας, τις οδηγίες,  
τις απεικονίσεις και τις προδιαγραφές που  
συνοδεύουν το ηλεκτρικό εργαλείο. Η μη  
τήρηση οποιασδήποτε από τις οδηγίες που  
αναφέρονται πιο κάτω μπορεί να έχει ως αποτέ-  
λεσμα ηλεκτροπληξία, πυρκαγιά και/ή σοβαρό  
τραυματισμό.

**Φυλάξτε όλες τις προειδοποιήσεις και οδηγίες για  
μελλοντική αναφορά.** Ο όρος "ηλεκτρικό εργαλείο" που  
χρησιμοποιείται σε όλες τις παρακάτω προειδοποιήσεις,  
αναφέρεται είτε σε εργαλείο που λειτουργεί με ρεύμα δικτύου  
(ρεύματος - με καλώδιο) είτε σε εργαλείο που λειτουργεί με  
μπαταρία (μπαταρίας - χωρίς καλώδιο).

**1. Ασφάλεια στον χώρο εργασίας**

- α. Διατηρείτε τον χώρο εργασίας καθαρό και καλά φωτισμένο.** Οι ατακτοποιητοί ή σκοτεινοί χώροι γίνονται αιτίες ατυχημάτων.
- β. Μη χρησιμοποιείτε ηλεκτρικά εργαλεία σε περιβάλλον όπου υπάρχει κίνδυνος έκρηξης, όπως με παρουσία εύφλεκτων υγρών, αερίων ή σκόνης.** Τα ηλεκτρικά εργαλεία παράγουν σπινθήρες που μπορεί να προκαλέσουν ανάφλεξη της σκόνης ή των αναθυμιάσεων.
- γ. Κρατάτε μακριά τα παιδιά και παρευρισκόμενους όταν χρησιμοποιείτε ηλεκτρικό εργαλείο.** Παράγοντες που αποσπούν την προσοχή μπορεί να σας κάνουν να χάσετε τον έλεγχο.

**2. Ασφάλεια χρήσης ηλεκτρικού ρεύματος**

- α. Τα φως των ηλεκτρικών εργαλείων πρέπει να ταιριάζουν στην πρίζα. Σε καμία περίπτωση μην τροποποιήσετε το φως, με κανένα τρόπο. Μη χρησιμοποιείτε φως προσαρμογής με γειωμένα ηλεκτρικά εργαλεία.** Τα φως που δεν έχουν υποστεί τροποποιήσεις και οι κατάλληλες πρίζες μειώνουν τον κίνδυνο ηλεκτροπληξίας.
- β. Αποφεύγετε την επαφή του σώματός σας με γειωμένες επιφάνειες, όπως σωλήνες, σώματα καλοριφέρ, κουζίνας και ψυγεία.** Υπάρχει αυξημένος κίνδυνος ηλεκτροπληξίας αν το σώμα σας είναι γειωμένο.
- γ. Μην εκθέτετε ηλεκτρικά εργαλεία σε βροχή ή υγρασία.**

Η διείσδυση νερού σε ένα ηλεκτρικό εργαλείο αυξάνει τον κίνδυνο ηλεκτροπληξίας.

- δ. Μην κακομεταχειρίζεστε το καλώδιο. Ποτέ μη χρησιμοποιήσετε το καλώδιο για να μεταφέρετε, να τραβήξετε ή να αποσυνδέσετε από την πρίζα το ηλεκτρικό εργαλείο. Κρατάτε το καλώδιο μακριά από θερμότητα, λάδι, αιχμηρές άκρες ή κινούμενα μέρη. Τα καλώδια που έχουν υποστεί ζημιά ή είναι μπερδεμένα αυξάνουν τον κίνδυνο ηλεκτροπληξίας.
- ε. Όταν εργάζεστε με ηλεκτρικό εργαλείο σε εξωτερικό χώρο, χρησιμοποιείτε πάντοτε καλώδιο προέκτασης κατάλληλο για εργασία σε εξωτερικούς χώρους. Η χρήση καλωδίου κατάλληλου για εργασία σε εξωτερικούς χώρους μειώνει τον κίνδυνο ηλεκτροπληξίας.
- στ. Εάν είναι αναπόφευκτη η χρήση ενός ηλεκτρικού εργαλείου σε συνθήκες υγρασίας, χρησιμοποιήστε μια διάταξη προστασίας από ρεύμα διαρροής (RCD). Η χρήση μιας διάταξης RCD μειώνει τον κίνδυνο ηλεκτροπληξίας.

### 3. Ατομική ασφάλεια

- α. Όταν χρησιμοποιείτε ηλεκτρικό εργαλείο, να είστε σε εγρήγορση, να συγκεντρώνεστε στην εργασία που κάνετε και να επιστρατεύετε την κοινή λογική. Μη χρησιμοποιείτε ηλεκτρικό εργαλείο όταν είστε κουρασμένος-η ή υπό την επήρεια ναρκωτικών, οινοπνεύματος ή φαρμακευτικής αγωγής. Μια στιγμή απροσεξίας κατά τη χρήση ηλεκτρικών εργαλείων μπορεί να προκαλέσει σοβαρό τραυματισμό.
- β. Χρησιμοποιείτε ατομικό εξοπλισμό προστασίας. Πάντα φοράτε προστασία ματιών. Ο εξοπλισμός προστασίας, όπως μάσκα κατά της σκόνης, αντιολισθητικά παπούτσια ασφαλείας, κράνος ή προστασία ακοής, όταν χρησιμοποιείται για τις κατάλληλες συνθήκες, θα μειώσει τους τραυματισμούς και τις σωματικές βλάβες.
- γ. Αποτρέψτε την ακούσια ενεργοποίηση. Βεβαιωθείτε ότι ο διακόπτης βρίσκεται στη θέση απενεργοποίησης πριν συνδέσετε το εργαλείο σε πηγή ρεύματος και/ή τοποθετήσετε πακέτο μπαταριών, καθώς και πριν πάρετε στα χέρια σας ή μεταφέρετε το εργαλείο. Η μεταφορά ηλεκτρικών εργαλείων με το δάχτυλο πάνω στον διακόπτη ή η σύνδεση στο ρεύμα ηλεκτρικών εργαλείων με τον διακόπτη στη θέση ενεργοποίησης, ενέχει κινδύνους ατυχημάτων.
- δ. Πριν θέσετε σε λειτουργία το ηλεκτρικό εργαλείο, αφαιρέστε τυχόν εργαλεία ή κλειδιά ρύθμισης. Εάν αφήσετε ένα εργαλείο ή κλειδί πάνω σε κάποιο περιστρεφόμενο εξάρτημα του ηλεκτρικού εργαλείου, μπορεί να προκληθούν τραυματισμοί.
- ε. Μην τεντώνεστε υπερβολικά. Διατηρείτε πάντα σωστή στήριξη στα πόδια σας και καλή ισορροπία.

Έτσι μπορείτε να έχετε καλύτερο έλεγχο του ηλεκτρικού εργαλείου σε μη αναμενόμενες καταστάσεις.

- στ. Φοράτε κατάλληλο ρουχισμό. Μη φοράτε φαρδιά ρούχα ή κοσμήματα. Κρατάτε τα μαλλιά, τα ρούχα και τα γάντια σας μακριά από κινούμενα μέρη. Τα φαρδιά ρούχα, τα κοσμήματα και τα μακριά μαλλιά μπορούν να πιαστούν σε κινούμενα μέρη.
- ζ. Αν παρέχονται διατάξεις για τη σύνδεση συστημάτων απομάκρυνσης και συλλογής της σκόνης, βεβαιωθείτε ότι αυτές είναι συνδεδεμένες και χρησιμοποιούνται σωστά. Η χρήση διατάξεων συλλογής της σκόνης μπορεί να μειώσει τους κινδύνους που προέρχονται από τη σκόνη.
- η. Μην αφήνετε την εξοικείωση που έχετε αποκτήσει από τη συχνή χρήση εργαλείων να σας επιτρέψει να εφησυχάσετε ώστε να αγνοήσετε τις αρχές ασφαλούς χρήσης των εργαλείων. Μια απρόσεκτη ενέργεια μπορεί να προκαλέσει βαρύ τραυματισμό μέσα σε κλάσματα του δευτερολέπτου.
- ### 4. Χρήση και φροντίδα ηλεκτρικών εργαλείων
- α. Μην ασκείτε υπερβολική δύναμη στο ηλεκτρικό εργαλείο. Χρησιμοποιείτε το σωστό ηλεκτρικό εργαλείο για την εφαρμογή σας. Το σωστό ηλεκτρικό εργαλείο θα εκτελέσει την εργασία καλύτερα και ασφαλέστερα στην ένταση χρήσης για την οποία σχεδιάστηκε.
- β. Μη χρησιμοποιήσετε το ηλεκτρικό εργαλείο αν ο διακόπτης του δεν μπορεί να το ενεργοποιεί και απενεργοποιεί. Αν σε οποιοδήποτε ηλεκτρικό εργαλείο η λειτουργία δεν μπορεί να ελεγχθεί με τον διακόπτη, το εργαλείο είναι επικίνδυνο και πρέπει να επισκευαστεί.
- γ. Αποσυνδέστε το φως από την πηγή ρεύματος και/ή αφαιρέστε το πακέτο μπαταριών από το ηλεκτρικό εργαλείο, πριν πραγματοποιήσετε οποιαδήποτε ρύθμιση, αλλαγή αξεσουάρ ή όταν πρόκειται να φυλάξετε το ηλεκτρικό εργαλείο. Τέτοια προληπτικά μέτρα ασφαλείας μειώνουν το κίνδυνο αθλήτης εκκίνησης του ηλεκτρικού εργαλείου.
- δ. Φυλάσσετε μακριά από παιδιά τα ηλεκτρικά εργαλεία που δεν χρησιμοποιείτε. Μην αφήνετε να χρησιμοποιήσουν ηλεκτρικό εργαλείο άτομα που δεν είναι εξοικειωμένα με αυτό ή άτομα που δεν έχουν διαβάσει αυτές τις οδηγίες χρήσης. Τα ηλεκτρικά εργαλεία είναι επικίνδυνα στα χέρια μη εκπαιδευμένων χρηστών.
- ε. Συντηρείτε τα ηλεκτρικά εργαλεία. Ελέγχετε για τυχόν κακή ευθυγράμμιση ή μάγκωμα των κινούμενων μερών, θραύση εξαρτημάτων και οποιαδήποτε άλλη συνθήκη μπορεί να επηρεάσει τη λειτουργία του ηλεκτρικού εργαλείου. Αν το ηλεκτρικό εργαλείο έχει υποστεί ζημιά, δώστε το για επισκευή πριν το χρησιμοποιήσετε.

Η ανεπαρκής συντήρηση των ηλεκτρικών εργαλείων αποτελεί αιτία πολλών ατυχημάτων.

- στ. Διατηρείτε τα εργαλεία κοπής κοφτερά και καθαρά.** Τα κοπτικά εργαλεία με κοφτερές κοπτικές αιχμές που συντηρούνται σωστά έχουν λιγότερες πιθανότητες να μαγκώσουν και ελέγχονται ευκολότερα.
- ζ. Χρησιμοποιείτε το ηλεκτρικό εργαλείο, τα αξεσουάρ και τα εξαρτήματα εργασίας του εργαλείου κλπ. σύμφωνα με τις παρούσες οδηγίες, λαμβάνοντας υπόψη σας τις συνθήκες εργασίας και την εργασία που θέλετε να εκτελέσετε.** Η χρήση του ηλεκτρικού εργαλείου για εργασίες διαφορετικές από τις προβλεπόμενες θα μπορούσε να οδηγήσει σε επικίνδυνη κατάσταση.
- η. Διατηρείτε τις λαβές και τις επιφάνειες κρατήματος στεγνές, καθαρές και απαλλαγμένες από λάδι και γράσο.** Οι ολισθηρές λαβές και επιφάνειες κρατήματος δεν επιτρέπουν τον ασφαλή χειρισμό και έλεγχο του εργαλείου σε μη αναμενόμενες καταστάσεις.
- 5. Χρήση και φροντίδα εργαλείων μπαταρίας**
- α. Επαναφορτίζετε μόνο με τον φορτιστή που καθορίζει ο κατασκευαστής.** Ένας φορτιστής που είναι κατάλληλος για ένα τύπο πακέτου μπαταριών μπορεί να δημιουργήσει κίνδυνο πυρκαγιάς αν χρησιμοποιηθεί με άλλο πακέτο μπαταριών.
- β. Χρησιμοποιείτε τα ηλεκτρικά εργαλεία αποκλειστικά και μόνο με τα καθοριζόμενα πακέτα μπαταριών.** Η χρήση άλλων πακέτων μπαταριών μπορεί να προκαλέσει κίνδυνο τραυματισμού και πυρκαγιάς.
- γ. Όταν το πακέτο μπαταριών δεν χρησιμοποιείται, κρατάτε το μακριά από άλλα μεταλλικά αντικείμενα, όπως συνδετήρες, κέρματα, κλειδιά, καρφιά, βίδες ή άλλα μικρά μεταλλικά αντικείμενα που μπορούν να βραχυκυκλώσουν τους δύο ακροδέκτες του.** Αν βραχυκυκλωθούν οι ακροδέκτες μπαταρίας, μπορεί να προκληθούν εγκαύματα ή πυρκαγιά.
- δ. Αν οι μπαταρίες υποστούν κακομεταχείριση, μπορεί να διαρρέει υγρό. Αποφύγετε την επαφή. Αν κατά λάθος έρθετε σε επαφή, ξεπλύνετε με νερό.** Σε περίπτωση που το υγρό έλθει σε επαφή με τα μάτια σας, ζητήστε επιπλέον και ιατρική βοήθεια. Το υγρό που διαρρέει από την μπαταρία μπορεί να προκαλέσει ερεθισμούς ή εγκαύματα.
- ε. Μη χρησιμοποιήσετε πακέτο μπαταριών ή εργαλείο που έχει υποστεί ζημιά ή τροποποίηση.** Οι μπαταρίες που έχουν υποστεί ζημιά ή τροποποίηση μπορεί να έχουν απρόβλεπτη συμπεριφορά, με αποτέλεσμα φωτιά, έκρηξη ή κίνδυνο τραυματισμού.
- στ. Μην εκθέσετε ένα πακέτο μπαταριών ή εργαλείο σε φωτιά ή υπερβολική θερμοκρασία.**

Η έκθεση σε φωτιά ή σε θερμοκρασία πάνω από 130 °C μπορεί να προκαλέσει έκρηξη. ΣΗΜΕΙΩΣΗ: Η θερμοκρασία "130 °C" μπορεί να αντικατασταθεί από τη θερμοκρασία "265 °F".

- ζ. Τηρείτε όλες τις οδηγίες φόρτισης και μη φορτίζετε το πακέτο μπαταριών ή το εργαλείο εκτός των ορίων θερμοκρασίας που ορίζονται στις προδιαγραφές.** Η ακατάλληλη φόρτιση ή η φόρτιση σε θερμοκρασίες εκτός των προβλεπόμενων ορίων μπορεί να προξενήσει ζημιά στην μπαταρία και να αυξήσει τον κίνδυνο φωτιάς.
- 6. Σέρβις**
- α. Αναθέστε το σέρβις του ηλεκτρικού εργαλείου σας σε εξειδικευμένο τεχνικό επισκευών που χρησιμοποιεί μόνο γνήσια ανταλλακτικά.** Έτσι θα εξασφαλίσετε τη διατήρηση της ασφάλειας του ηλεκτρικού εργαλείου.
- β. Ποτέ μην κάνετε σέρβις σε πακέτα μπαταριών που έχουν υποστεί ζημιά.** Το σέρβις των πακέτων μπαταριών πρέπει να γίνεται μόνο από τον κατασκευαστή ή από εξουσιοδοτημένους παρόχους σέρβις (χρησιμοποιείται μόνο για εργαλεία μπαταρίας).

## Γενικές προειδοποιήσεις ασφαλείας για αλυσοπρίονα



**ΠΡΟΕΙΔΟΠΟΙΗΣΗ!** Πρόσθετες προειδοποιήσεις ασφαλείας για αλυσοπρίονα

- ◆ Κρατάτε όλα τα μέρη του σώματος μακριά από την αλυσίδα πριονιού όταν το αλυσοπρίονο βρίσκεται σε λειτουργία. Πριν θέσετε σε λειτουργία το αλυσοπρίονο, φροντίστε η αλυσίδα του πριονιού να μη βρίσκεται σε επαφή με οποιοδήποτε αντικείμενο. Μια στιγμήα απροσεξία κατά το χειρισμό του αλυσοπρίονου μπορεί να οδηγήσει στην εμπλοκή του εργαλείου με τα ρούχα ή το σώμα σας.
- ◆ Πάντα κρατάτε το αλυσοπρίονο με το δεξιό χέρι στην πίσω λαβή και το αριστερό στην μπροστινή λαβή. Ποτέ δεν πρέπει να κρατάτε το αλυσοπρίονο με αντίθετη διάταξη χεριών γιατί αυξάνεται ο κίνδυνος τραυματισμού.
- ◆ Κρατάτε το αλυσοπρίονο από μονωμένες επιφάνειες κρατήματος και μόνο, επειδή η αλυσίδα του πριονιού μπορεί να έρθει σε επαφή με αθέατα καλώδια. Αν η αλυσίδα του πριονιού έρθει σε επαφή με καλώδιο υπό τάση, μπορεί να θέσει υπό τάση και τα εκτεθειμένα μεταλλικά μέρη του αλυσοπρίονου και να προκαλέσει ηλεκτροπληξία στο χειριστή.
- ◆ Φοράτε προστασία ματιών. Συνιστάται η χρήση περατώρω προστατευτικού εξοπλισμού για την ακοή, το κεφάλι, τα χέρια και τα πόδια. Ο κατάλληλος προστατευτικός εξοπλισμός μειώνει τον κίνδυνο τραυματισμού από εκτοξευόμενα θραύσματα ή την αθέλητη επαφή με την αλυσίδα του πριονιού.

- ◆ **Μη χρησιμοποιείτε αλυσσπρίονο ενώ βρίσκεστε πάνω σε δέντρο, κινητή σκάλα, στέγη ή σε οποιαδήποτε άλλη ασταθή επιφάνεια.** Ο χειρισμός του αλυσσπρίονου με αυτόν τον τρόπο, θα μπορούσε να οδηγήσει σε σοβαρό τραυματισμό.
- ◆ **Διατηρείτε πάντα σωστή στήριξη στα πόδια σας και χρησιμοποιείτε το αλυσσπρίονο μόνο όταν στέκεστε πάνω σε σταθερή, ασφαλή και οριζόντια επιφάνεια.** Οι ολισθηρές ή ασταθείς επιφάνειες όπως οι κινητές σκάλες μπορούν να προκαλέσουν απώλεια της ισορροπίας ή του ελέγχου του αλυσσπρίονου.
- ◆ **Όταν κόβετε ένα κλαδί κλάρα που βρίσκεται υπό μηχανική τάση, προσέχετε το ενδεχόμενο να κινηθεί πάλι απότομα προς το μέρος σας.** Όταν πάψει να ασκείται μηχανική τάση στις ίνες του ξύλου, το κλαδί που βρισκόταν υπό μηχανική τάση ενδέχεται να χτυπήσει το χειριστή και/ή να προκαλέσει απώλεια του ελέγχου του αλυσσπρίονου κονταριού.
- ◆ **Προσέχετε ιδιαίτερα όταν κόβετε θάμνους και δενδρύλλια.** Το λεπτό και ευλύγιστο υλικό τους μπορεί να πιαστεί στην αλυσίδα του πριονιού και να τιναχτεί προς το μέρος ή να σας κάνει να χάσετε την ισορροπία σας.
- ◆ **Μεταφέρετε το αλυσσπρίονο από την μπροστινή λαβή με την αλυσίδα πριονιού απενεργοποιημένη και σε απόσταση από το σώμα σας.** Όταν μεταφέρετε ή αποθηκεύετε το αλυσσπρίονο, τοποθετείτε πάντα το κάλυμμα λάμας-οδηγού. Ο σωστός χειρισμός του αλυσσπρίονου μειώνει την πιθανότητα αθέλητης επαφής με την κινούμενη αλυσίδα πριονιού.
- ◆ **Τηρείτε τις οδηγίες για λίπανση, τέντωμα της αλυσίδας και αλλαγή αξεσουάρ.** Όταν μια αλυσίδα δεν έχει τεντωθεί ή λιπανθεί σωστά, υπάρχει κίνδυνος θραύσης της ή αυξημένης πιθανότητας ανάδρασης
- ◆ **Το εργαλείο προορίζεται αποκλειστικά για την κοπή ξύλου. Μη χρησιμοποιείτε αλυσσπρίονο για εργασίες για τις οποίες δεν προορίζεται.** Για παράδειγμα: μη χρησιμοποιείτε το αλυσσπρίονο για κοπή πλαστικών, ειδών τοιχοποιίας ή μη ξύλινων δομικών υλικών. Η χρήση του αλυσσπρίονου για εργασίες διαφορετικές από τις προβλεπόμενες θα μπορούσε να οδηγήσει σε επικίνδυνη κατάσταση.
- ◆ **Μην επιχειρήσετε να υλοτομήσετε κάποιο δέντρο μέχρι να κατανοήσετε τους κινδύνους και τον τρόπο αποφυγής τους.** Κατά την υλοτόμηση ενός δέντρου, μπορεί να προκληθεί σοβαρός τραυματισμός στον χειριστή ή τους παρευρισκόμενους.
- ◆ **Τηρείτε όλες τις οδηγίες κατά την απομάκρυνση σφηνωμένου υλικού, την αποθήκευση ή συντήρηση του αλυσσπρίονου.** Βεβαιωθείτε ότι ο διακόπτης είναι απενεργοποιημένος και το πακέτο μπαταριών έχει αφαιρεθεί.

Η μη αναμενόμενη ενεργοποίηση του αλυσσπρίονου κατά την απομάκρυνση σφηνωμένου υλικού ή τις εργασίες σέρβις, μπορεί να προκαλέσει τραυματισμό.

## Πρόσθετες προειδοποιήσεις ασφαλείας για ηλεκτρικά εργαλεία



**ΠΡΟΕΙΔΟΠΟΙΗΣΗ!** Πρόσθετες προειδοποιήσεις ασφαλείας για αλυσσπρίονα συμπαγών διαστάσεων.

Η προβλεπόμενη χρήση περιγράφεται στο παρόν εγχειρίδιο οδηγιών. Μη χρησιμοποιείτε το εργαλείο για εργασίες για τις οποίες δεν προορίζεται, για παράδειγμα μην το χρησιμοποιείτε για την κοπή δέντρων. Η χρήση οποιοδήποτε αξεσουάρ ή προσαρτήματος ή η εκτέλεση οποιασδήποτε εργασίας με αυτό το εργαλείο πέραν αυτών που συνιστώνται στο παρόν εγχειρίδιο οδηγιών μπορεί να προκαλέσει κίνδυνο τραυματισμού.

- ◆ **Φοράτε εφαρμοστά και προστατευτικά ρούχα και προστατευτικό εξοπλισμό, όπως κράνος ασφαλείας με προστατευτικά γυαλιά, ωατισπίδες, αντιολισθητικά παπούτσια ασφαλείας, προστατευτική φόρμα εργασίας και ανθεκτικά δερμάτινα γάντια.**
- ◆ **Να στέκεστε πάντα μακριά από την κατεύθυνση πτώσης των κλαδιών.**
- ◆ **Η ασφαλής απόσταση ενός προς κοπή κλαδιού από άτομα, κτίρια ή άλλα αντικείμενα ισούται τουλάχιστον με 2 1/2 φορές το μήκος του κλαδιού.** Κάθε παρευρισκόμενος, κτίριο ή αντικείμενο που βρίσκεται μέσα σ' αυτή την απόσταση κινδυνεύει να χτυπηθεί από το κλαδί που θα πέσει.
- ◆ **Σχεδιάστε μια ασφαλή διαφυγή από το δέντρο ή τα κλαδιά του καθώς πέφτουν.** Βεβαιωθείτε ότι στη διαδρομή διαφυγής δεν θα υπάρχουν εμπόδια που θα καθιστούσαν αδύνατη ή θα δυσκόλευαν την κίνηση. Έχετε υπόψη ότι το υγρό γρασίδι και ο φλοιός δέντρου που έχει κοπεί πρόσφατα είναι ολισθηρά.
- ◆ **Βεβαιωθείτε πως υπάρχει κάποιος κοντά (αλλά σε απόσταση ασφαλείας) για την περίπτωση ατυχήματος.**
- ◆ **Μη χρησιμοποιείτε το εργαλείο ενώ βρίσκεστε πάνω σε δέντρο, κινητή σκάλα ή οποιαδήποτε άλλη ασταθή επιφάνεια.**
- ◆ **Διατηρείτε πάντα σωστή στήριξη στα πόδια σας και καλή ισορροπία.**
- ◆ **Κρατάτε σταθερά το εργαλείο και με τα δύο χέρια, όταν το μοτέρ βρίσκεται σε λειτουργία.**
- ◆ **Μην επιτρέψετε να έλθει σε επαφή η κινούμενη αλυσίδα με οποιοδήποτε αντικείμενο στο άκρο της λάμας-οδηγού αλυσίδας.**
- ◆ **Ξεκινήστε την κοπή κάποιου αντικειμένου μόνο εφόσον η αλυσίδα κινείται με τη μέγιστη ταχύτητα.**

- ◆ Μην επιχειρήσετε να εισάγετε το πριόνι σε προηγούμενη τομή. Δημιουργείτε πάντα μια νέα τομή.
- ◆ Προσέχετε για τυχόν κλαδιά που μετακινούνται ή για άλλες δυνάμεις που θα μπορούσαν να κλείσουν μια τομή και να μαγκώσουν την αλυσίδα ή να πέσουν στην αλυσίδα.
- ◆ Μην επιχειρείτε να κόψετε κάποιο κλαδί η διάμετρος του οποίου υπερβαίνει το μήκος κοπής του εργαλείου.
- ◆ Αφαιρείτε πάντα την μπαταρία από το εργαλείο και τοποθετείτε το συγκρότημα καλύμματος αλυσίδας επάνω στην αλυσίδα κατά τη μεταφορά ή αποθήκευση του εργαλείου.
- ◆ Διατηρείτε την αλυσίδα του πριονιού αιχμηρή και στη σωστή τάνυση. Ελέγχετε τακτικά την τάνυση.
- ◆ Πριν από την εκτέλεση εργασιών ρύθμισης, σέρβις ή συντήρησης, απενεργοποιείτε το εργαλείο, αφήνετε την αλυσίδα να σταματήσει εντελώς και αφαιρείτε την μπαταρία από το εργαλείο.
- ◆ Χρησιμοποιείτε μόνο γνήσια ανταλλακτικά και αξεσουάρ.
- ◆ Φροντίστε οι λαβές να είναι στεγνές, καθαρές και χωρίς λάδια ή γράσα. Ο λαβές που είναι λερωμένες με γράσο ή λάδι γλιστρούν, με αποτέλεσμα την απώλεια του ελέγχου.
- ◆ Ο ακιδωτός προφυλακτήρας μπορεί να καταστεί αιχμηρός κατά τη διάρκεια ζωής του προϊόντος. Προσέχετε κατά τους χειρισμούς.
- ◆ Κατά τους χειρισμούς του προϊόντος η λάμα αλυσίδας μπορεί να αποκτήσει υψηλή θερμοκρασία, προσέχετε κατά τους χειρισμούς.

#### Απίες της ανάδρασης και τρόπος αποτροπής από τον χειριστή

Μπορεί να παρατηρηθεί ανάδραση όταν η μύτη ή το άκρο της λάμας-οδηγού έρθει σε επαφή με ένα αντικείμενο ή όταν το ξύλο περισφίξει και μαγκώσει την αλυσίδα του πριονιού μέσα στην τομή.

Η επαφή του άκρου με ένα αντικείμενο μπορεί σε ορισμένες περιπτώσεις να προκαλέσει απότομη αντίστροφη αντίδραση, κλωτσώντας τη λάμα-οδηγό προς τα πάνω και προς τα πίσω προς το μέρος του χειριστή.

Το μάγκωμα της αλυσίδας του πριονιού κατά μήκος του πάνω μέρους της λάμας-οδηγού μπορεί να στρώσει τη λάμα-οδηγό με ταχύτητα πίσω προς το μέρος του χειριστή.

Μία από αυτές τις αντιδράσεις μπορεί να σας κάνει να χάσετε τον έλεγχο του αλυσοπριονίου με κίνδυνο σοβαρού τραυματισμού. Μη βασίζεστε αποκλειστικά στις διατάξεις ασφαλείας που διαθέτει το αλυσοπριόνό σας. Ως χρήστης αλυσοπριονίου, θα πρέπει να παίρνετε ορισμένες προφυλάξεις για να αποφύγετε τα ατυχήματα και τους τραυματισμούς κατά τη διάρκεια των εργασιών κοπής που εκτελείτε.

Η ανάδραση είναι το αποτέλεσμα κακής χρήσης του εργαλείου και/ή λανθασμένων διαδικασιών ή συνθηκών χειρισμού και μπορεί να αποφευχθεί με τη λήψη κατάλληλων μέτρων προφύλαξης, όπως αναφέρονται πιο κάτω:

- ◆ Κρατάτε γερά το αλυσοπριόνιο, με τους αντίχειρες και τα δάχτυλα να περικλείουν τις λαβές του αλυσοπριονίου. Κρατάτε το αλυσοπριόνιο και με τα δυο σας χέρια και δίνετε στο σώμα και στους βραχίονές σας μια θέση που θα σας επιτρέψει να αντισταθείτε σε τυχόν δυνάμεις ανάδρασης. Όταν έχουν ληφθεί κατάλληλα μέτρα προφύλαξης, ο χειριστής μπορεί να ελέγξει τις δυνάμεις ανάδρασης. Μην αφήνετε ελεύθερο το αλυσοπριόνιο.
- ◆ Μην τεντώνεστε και μην κόβετε πάνω από το ύψος του ώμου σας. Αυτό βοηθάει στην αποφυγή της αθέλητης επαφής του άκρου με άλλο αντικείμενο και επιτρέπει τον καλύτερο έλεγχο του αλυσοπριονίου σε απρόοπτες καταστάσεις.
- ◆ Χρησιμοποιείτε αποκλειστικά ανταλλακτικές λάμες-οδηγούς και αλυσίδες που καθορίζονται από τον κατασκευαστή. Ακατάλληλες ανταλλακτικές λάμες-οδηγοί και αλυσίδες μπορεί να προκαλέσουν θραύση της αλυσίδας και/ή ανάδραση.
- ◆ Ακολουθείτε τις οδηγίες του κατασκευαστή σχετικά με το ακόνισμα και τη συντήρηση της αλυσίδας του πριονιού. Η μείωση του ύψους του μετρητή βάθους κοπής μπορεί να οδηγήσει σε αυξημένη ανάδραση.

#### Συστάσεις ασφαλείας για το αλυσοπριόνιο

- ◆ Συνιστάται σε όσους χρησιμοποιούν αλυσοπριόνιο για πρώτη φορά να λαμβάνουν πρακτικές οδηγίες για τη χρήση και τον προστατευτικό εξοπλισμό από έναν πεπειραμένο χρήστη. Θα πρέπει να γίνεται εξάσκηση στην κοπή κορμών πάνω σε καβαλέτο ή ικριώμα.
- ◆ Όταν μετακινείτε το αλυσοπριόνιο, αφαιρείτε τη μπαταρία και να βεβαιώνετε ότι το φρένο είναι ενεργοποιημένο και η αλυσίδα του πριονιού είναι στραμμένη προς τα πίσω.
- ◆ Διατηρείτε το αλυσοπριόνιο σας σε καλή κατάσταση, όταν δεν το χρησιμοποιείτε. Όταν φυλάσσετε το αλυσοπριόνιο για μεγάλο χρονικό διάστημα πρέπει να αφαιρείτε την αλυσίδα πριονιού και τη λάμα-οδηγό αλυσίδας και να τα φυλάσσετε μέσα σε λάδι. Φυλάσσετε όλα τα εξαρτήματα του αλυσοπριονίου σε ένα ξηρό, ασφαλές μέρος μακριά από τα παιδιά.
- ◆ Συνιστάται να στραγγίσετε το δοχείο λαδιού πριν από την φόρτωση.
- ◆ Βεβαιωθείτε ότι πατάτε καλά και σταθερά και προβλέψτε ένα δρόμο διαφυγής από το δέντρο ή τα κλαδιά που θα πέσουν.
- ◆ Χρησιμοποιείτε σφήνες για να ελέγχετε καλύτερα την υλοτόμηση δένδρων και για να αποφεύγετε το σφήνωμα της λάμας-οδηγού αλυσίδας και της αλυσίδας του πριονιού μέσα στην τομή.

- ◆ Φροντίδα της αλυσίδας του πριονιού. Διατηρείτε την αλυσίδα του πριονιού αιχμηρή και σφιγμένη πάνω στη λάμα-οδηγό αλυσίδας. Βεβαιωθείτε ότι η αλυσίδα του πριονιού και η λάμα-οδηγός είναι καθαρές και καλά λαδωμένες. Διατηρείτε τις λαβές στεγνές, καθαρές, χωρίς λάδι και γράσο.

### Ανάδραση μπορεί να προκληθεί στις παρακάτω περιπτώσεις:

- ◆ Αν χτυπήσετε κλαδιά ή άλλα αντικείμενα τυχαία με μια αιχμή του πριονιού ενώ κινείται η αλυσίδα πριονιού.
- ◆ Αν χτυπήσετε μέταλλο, τσιμέντο ή άλλο σκληρό υλικό που βρίσκεται κοντά στο ξύλο ή χυμμένο μέσα στο ξύλο.
- ◆ Αν η αλυσίδα δεν είναι αιχμηρή ή αν είναι χαλαρή.
- ◆ Αν κόβετε πάνω από το ύψος του ώμου.
- ◆ Αν δεν προσέχετε όταν κρατάτε ή καθοδηγείτε το αλυσοπρίονο κατά την διάρκεια της κοπής.
- ◆ Αν δεν φτάνετε καλά το σημείο που θέλετε να κόψετε. Διατηρείτε πάντα σωστή στήριξη στα πόδια σας και καλή ισορροπία και μην τεντώνετε υπερβολικά.
- ◆ Μην επιχειρήσετε να το εισάγετε σε προηγούμενη τομή. Θα μπορούσε να προκληθεί ανάδραση. Δημιουργείτε μια νέα τομή κάθε φορά.
- ◆ Συνιστούμε θερμά να μην επιχειρήσετε να χρησιμοποιήσετε αλυσοπρίονο ενώ βρίσκεστε πάνω σε δέντρο, κινητή σκάλα ή οποιαδήποτε άλλη ασταθή επιφάνεια. Αν αποφασίσετε να το κάνετε, να γνωρίζετε ότι αυτές οι θέσεις είναι πάρα πολύ επικίνδυνες.
- ◆ Όταν κόβετε μια κλάρα που βρίσκεται υπό μηχανική τάση, προσέχετε το ενδεχόμενο να κινηθεί πάλι απότομα προς το μέρος σας και σας χτυπήσει όταν απελευθερωθεί από τη μηχανική τάση.

### Μην κόβετε:

- ◆ Έτοιμη ξυλεία.
- ◆ Το έδαφος.
- ◆ Φράχτες από συρματόπλεγμα, καρφιά κτλ.
- ◆ Μικρούς θάμνους και δενδρύλλια γιατί το λεπτό και ευλύγιστο υλικό τους μπορεί να πιαστεί στην αλυσίδα του πριονιού και να πιναχτεί προς το μέρος σας ή να σας κάνει να χάσετε την ισορροπία σας.
- ◆ Μη χρησιμοποιείτε το αλυσοπρίονο πάνω από το ύψος του ώμου σας.
- ◆ Βεβαιωθείτε πως υπάρχει κάποιος κοντά (αλλά σε απόσταση ασφαλείας) για την περίπτωση ατυχήματος.
- ◆ Αν για οποιονδήποτε λόγο πρέπει να αγγίξετε την αλυσίδα πριονιού, βεβαιωθείτε ότι το αλυσοπρίονο είναι απενεργοποιημένο και η μπαταρία έχει αφαιρεθεί.
- ◆ Ο θόρυβος που προκαλείται από το προϊόν αυτό μπορεί να ξεπεράσει τα 80 dB(A). Επομένως συνιστούμε να λαμβάνετε τα απαραίτητα μέτρα για την προστασία της ακοής

### Υπολειπόμενοι κίνδυνοι.

Κατά τη χρήση του εργαλείου μπορεί να δημιουργηθούν πρόσθετοι υπολειπόμενοι κίνδυνοι, οι οποίοι ενδέχεται να μη συμπεριλαμβάνονται στις προειδοποιήσεις ασφαλείας που εσωκλείονται. Αυτοί οι κίνδυνοι μπορούν να προκύψουν από κακή χρήση, παρατεταμένη χρήση κλπ. Ακόμα και με την εφαρμογή των σχετικών κανονισμών ασφαλείας και την εφαρμογή διατάξεων ασφαλείας, ορισμένοι υπολειπόμενοι κίνδυνοι δεν μπορούν να αποφευχθούν. Σ' αυτούς περιλαμβάνονται:

- ◆ Τραυματισμοί από επαφή με οποιαδήποτε περιστρεφόμενα/κινούμενα μέρη.
- ◆ Τραυματισμοί από αλλαγή οποιωνδήποτε εξαρτημάτων, λεπίδων ή αξεσουάρ.
- ◆ Σωματικές βλάβες από παρατεταμένη χρήση εργαλείου. Όταν χρησιμοποιείτε οποιοδήποτε εργαλείο για παρατεταμένα χρονικά διαστήματα, μην παραλείπετε με κανένα τρόπο να κάνετε τακτικά διαλείμματα.
- ◆ Βλάβη της ακοής.
- ◆ Κίνδυνοι για την υγεία λόγω εισπνοής σκόνης που αναπτύσσεται κατά τη χρήση του εργαλείου (παράδειγμα: εργασία με ξύλο, ειδικά βελανιδιά, οξιά και MDF).

### Θόρυβος και κραδασμοί

Οι δηλωμένες τιμές εκπομπών κραδασμών και η δηλωμένη τιμή (ή τιμές) εκπομπών θορύβου που αναφέρονται στα τεχνικά χαρακτηριστικά και στη δήλωση συμμόρφωσης έχουν μετρηθεί σύμφωνα με τυποποιημένη μέθοδο δοκιμής που παρέχεται από το πρότυπο EN 62841 και μπορούν να χρησιμοποιηθούν για τη σύγκριση ενός εργαλείου με ένα άλλο. Η δηλωμένη τιμή εκπομπών κραδασμών και η δηλωμένη τιμή (ή τιμές) εκπομπών θορύβου μπορούν επίσης να χρησιμοποιηθούν σε μια προκαταρκτική αξιολόγηση της έκθεσης.

**ΠΡΟΕΙΔΟΠΟΙΗΣΗ!** Στην πράξη, η τιμή εκπομπής κραδασμών και θορύβου κατά την χρήση του ηλεκτρικού εργαλείου μπορεί να διαφέρει από την τιμή που δηλώθηκε, ανάλογα με τον τρόπο που χρησιμοποιείται το εργαλείο. Το επίπεδο κραδασμών μπορεί να αυξηθεί πάνω από το επίπεδο που έχει δηλωθεί.

Κατά τον προσδιορισμό της έκθεσης σε κραδασμούς για τον καθορισμό των απαιτούμενων μέτρων ασφαλείας σύμφωνα με την οδηγία 2002/44/EK για την προστασία προσώπων που χρησιμοποιούν συχνά ηλεκτρικά εργαλεία στην εργασία τους, μια προσεγγιστική εκτίμηση της έκθεσης σε κραδασμούς πρέπει να λαμβάνει υπόψη τις πραγματικές συνθήκες χρήσης και τον τρόπο χρήσης του εργαλείου, συμπεριλαμβανομένων και όλων των επιμέρους τμημάτων του κύκλου εργασίας, όπως τα χρονικά διαστήματα που το εργαλείο ήταν εκτός λειτουργίας και τα διαστήματα λειτουργίας χωρίς φορτίο, επιπλέον του χρόνου πίεσης της σκανδάλης.

## Ετικέτες πάνω στο εργαλείο

Το εργαλείο φέρει τα παρακάτω εικονογράμματα μαζί με τον κωδικό ημερομηνίας:



**ΠΡΟΕΙΔΟΠΟΙΗΣΗ!** Για να μειωθεί ο κίνδυνος τραυματισμού, ο χρήστης πρέπει να διαβάσει το εγχειρίδιο οδηγιών.



Μη χρησιμοποιείτε το πριόνι σε υγρές συνθήκες και μην το εκθέτετε στη βροχή.



Πάντα φοράτε προστατευτικό εξοπλισμό για το κεφάλι, την ακοή και τα μάτια.



Πάντα φοράτε μάσκα προστασίας από σκόνη



Πάντα φοράτε προστατευτικά γάντια.



Πάντα φοράτε αντιολισθητικά υποδήματα ασφαλείας.



Πάντα κρατάτε το αλυσοπριόνι σταθερά και με τα δύο χέρια.



Προσέχετε την ανάδραση του αλυσοπριόνου και αποφεύγετε την επαφή με τη λάμα αλυσίδας.



Μη χρησιμοποιείτε το αλυσοπριόνι μόνο "με ένα χέρι"



Απενεργοποιήστε το εργαλείο. Πριν πραγματοποιήσετε οποιαδήποτε συντήρηση στο εργαλείο, αφαιρέστε την μπαταρία από το εργαλείο.



Προσέχετε για τυχόν αντικείμενα που πέφτουν. Μην επιτρέπετε να πλησιάσουν άλλα άτομα



Για να εξασφαλίσετε τη συνεχή ασφαλή λειτουργία, ελέγχετε την τάνυση της αλυσίδας όπως περιγράφεται σε αυτό το εγχειρίδιο μετά από κάθε 10 λεπτά χρήσης, και ρυθμίζετε τη ξανά σε διάκενο 3 mm όπως απαιτείται. Λαδώνετε την αλυσίδα μετά από κάθε 10 λεπτά χρήσης.

**ΠΡΟΕΙΔΟΠΟΙΗΣΗ!** Μην αγγίζετε την αλυσίδα στο σημείο εξαγωγής των απορριμμάτων κοπής



Η κατεύθυνση περιστροφής της αλυσίδας.



Για να εξασφαλίσετε συνεχή και ασφαλή λειτουργία, η αλυσίδα και η λάμα-οδηγός αλυσίδας πρέπει να αντικαθίστανται μόνο με γνήσια ανταλλακτικά STANLEY FATMAX. Αριθμός ανταλλακτικού αλυσίδας A6158, αριθμός ανταλλακτικού λάμας-οδηγού αλυσίδας 90619609.



Εγγυημένη ηχητική ισχύς σύμφωνα με την Οδηγία 2000/14/EK.

## Πρόσθετες οδηγίες ασφαλείας για μπαταρίες και φορτιστές

### Μπαταρίες

- ◆ Ποτέ μην επιχειρήσετε να τις ανοίξετε για κανένα λόγο.
- ◆ Μην εκθέτετε την μπαταρία σε νερό.
- ◆ Μην εκθέτετε την μπαταρία σε θερμότητα.
- ◆ Μη φυλάσσετε μπαταρίες σε μέρη όπου η θερμοκρασία μπορεί να υπερβεί τους 40 °C.
- ◆ Φορτίζετε μόνο σε θερμοκρασίες περιβάλλοντος μεταξύ 10 °C και 40 °C.
- ◆ Η φόρτιση πρέπει να γίνεται μόνο με τον φορτιστή που παρέχεται μαζί με τη συσκευή/εργαλείο. Η χρήση λανθασμένου φορτιστή θα μπορούσε να επιφέρει ηλεκτροπληξία, ή υπερθέρμανση της μπαταρίας.
- ◆ Όταν απορρίπτετε τις μπαταρίες, ακολουθήστε τις οδηγίες που δίνονται στην ενότητα "Προστασία του περιβάλλοντος".
- ◆ Μην προξενήσετε ζημιά/ παραμορφώσετε το πακέτο μπαταριών είτε με τρύπημα είτε με χτύπημα, επειδή κάτι τέτοιο μπορεί να δημιουργήσει κίνδυνο τραυματισμού και πυρκαγιάς.
- ◆ Μη φορτίζετε μπαταρίες που έχουν υποστεί ζημιά.

**Κάτω από ακραίες συνθήκες, μπορεί να επέλθει διαρροή υγρών μπαταρίας. Αν παρατηρήσετε υγρό πάνω στις μπαταρίες, απομακρύνετε το υγρό σκουπίζοντάς το προσεκτικά με ένα πανί.** Αποφύγετε την επαφή με το δέρμα. Σε περίπτωση επαφής με το δέρμα ή τα μάτια, ακολουθήστε τις παρακάτω οδηγίες.

**ΠΡΟΕΙΔΟΠΟΙΗΣΗ!** Το υγρό της μπαταρίας μπορεί να προκαλέσει σωματικές βλάβες ή υλικές ζημιές. Σε περίπτωση επαφής με το δέρμα, ξεπλύνετε αμέσως με άφθονο νερό. Αν παρουσιαστεί κοκκίνισμα του δέρματος, πόνος ή ερεθισμός, ζητήστε ιατρική βοήθεια. Σε περίπτωση επαφής με τα μάτια, ξεπλύνετε αμέσως με καθαρό νερό και ζητήστε ιατρική βοήθεια.



**Φορτιστές**

**ΠΡΟΕΙΔΟΠΟΙΗΣΗ!** Ο φορτιστής σας είναι σχεδιασμένος για συγκεκριμένη ηλεκτρική τάση. Ελέγχετε πάντα ότι η τάση ρεύματος δικτύου συμφωνεί με αυτήν που αναγράφεται στην πινακίδα τεχνικών χαρακτηριστικών.

**ΠΡΟΕΙΔΟΠΟΙΗΣΗ!** Ποτέ μην επιχειρήσετε να αντικαταστήσετε τη μονάδα φορτιστή με κανονικό φως ρεύματος δικτύου.

- ◆ Ο φορτιστής STANLEY FATMAX πρέπει να χρησιμοποιείται αποκλειστικά και μόνο για τη φόρτιση της μπαταρίας του εργαλείου το οποίο συνοδεύει. Άλλες μπαταρίες ενδέχεται να εκραγούν, προκαλώντας τραυματισμό ατόμων και ζημιές.
- ◆ Ποτέ μην επιχειρήσετε να φορτίσετε μη επαναφορτιζόμενες μπαταρίες.
- ◆ Αν το καλώδιο ρεύματος έχει υποστεί φθορά, πρέπει να αντικατασταθεί από τον κατασκευαστή ή από ένα εξουσιοδοτημένο κέντρο σέρβις της STANLEY FATMAX, ώστε να μην αποτελέσει κίνδυνο.
- ◆ Μην εκθέτετε τον φορτιστή σε νερό.
- ◆ Μην ανοίγετε τον φορτιστή.
- ◆ Μην εισάγετε οποιαδήποτε αντικείμενα μέσα στον φορτιστή.
- ◆ Κατά τη φόρτιση, ο φορτιστής πρέπει να βρίσκεται σε καλά αεριζόμενο χώρο.

**Ετικέτες επάνω στο φορτιστή**

Ο φορτιστής φέρει τα παρακάτω σύμβολα:



Ο φορτιστής προορίζεται για χρήση μόνο σε εσωτερικούς χώρους.



Διαβάστε το εγχειρίδιο οδηγιών πριν τη χρήση.

**Ασφάλεια χρήσης ηλεκτρικού ρεύματος**

Ο φορτιστής σας φέρει διπλή μόνωση. Επομένως, δεν απαιτείται αγωγός γείωσης. Ελέγχετε πάντα ότι η τάση ρεύματος δικτύου συμφωνεί με αυτήν που αναγράφεται στην πινακίδα τεχνικών χαρακτηριστικών. Ποτέ μην επιχειρήσετε να αντικαταστήσετε τη μονάδα φορτιστή με κανονικό φως ρεύματος δικτύου.

- ◆ Αν το καλώδιο τροφοδοσίας έχει υποστεί ζημία, πρέπει να αντικατασταθεί από τον κατασκευαστή ή εξουσιοδοτημένο κέντρο σέρβις της STANLEY FATMAX για την αποφυγή κινδύνου.

**Χαρακτηριστικά**

1. Διακόπτης σκανδάλης για ενεργοποίηση/ απενεργοποίηση (ON/OFF)
2. Μοχλός ασφάλισης

3. Φρένο αλυσίδας / μπροστινός προφυλακτήρας χεριού
4. Λάμα-οδηγός
5. Αλυσίδα του πριονιού
6. Κάλυμμα οδοντωτού τροχού
7. Παξιμάδι ασφάλισης λάμας
8. Βίδα τάνυσης αλυσίδας
9. Πώμα λαδιού
10. Δείκτης στάθμης λαδιού
11. Θήκη λάμας-οδηγού
12. Πίσω λαβή
13. Μπροστινή λαβή
14. Πακέτο μπαταριών
15. Κουμπί ασφαλίσης πακέτου μπαταριών
16. Κλειδί Άλεν
17. Βάση συγκράτησης κλειδιού Άλεν

**Συναρμολόγηση**

**ΠΡΟΕΙΔΟΠΟΙΗΣΗ!** Πριν από τη συναρμολόγηση, αφαιρέστε την μπαταρία (14) από το εργαλείο.

**Φόρτιση της μπαταρίας (Εικ. Α)**

Η μπαταρία πρέπει να φορτιστεί πριν την πρώτη χρήση και όταν δεν μπορεί πλέον να παρέχει επαρκή ισχύ σε εργασίες που πριν γίνοντουσαν εύκολα. Η μπαταρία μπορεί να θερμαίνεται κατά τη φόρτιση. Κάτι τέτοιο είναι φυσιολογικό και δεν υποδηλώνει πρόβλημα.

**ΠΡΟΕΙΔΟΠΟΙΗΣΗ!** Μη φορτίζετε την μπαταρία σε θερμοκρασίες περιβάλλοντος κάτω από 10 °C ή πάνω από 40 °C. Η συνιστώμενη θερμοκρασία φόρτισης είναι περίπου 24 °C.

**ΣΗΜΕΙΩΣΗ:** Ο φορτιστής δεν θα φορτίσει μια μπαταρία με θερμοκρασία στοιχείων κάτω από περίπου 10 °C ή πάνω από 40 °C.

Η μπαταρία θα πρέπει να παραμείνει στον φορτιστή και αυτός θα αρχίσει να τη φορτίζει αυτόματα μόλις η θερμοκρασία των στοιχείων αυξηθεί ή μειωθεί αντίστοιχα.

- ◆ Για να φορτίσετε την μπαταρία (14), τοποθετήστε την στην υποδοχή του φορτιστή (18). Η μπαταρία μπορεί να τοποθετηθεί στον φορτιστή μόνο με έναν τρόπο. Μην ασκείτε άσκοπη δύναμη. Βεβαιωθείτε ότι η μπαταρία έχει εδράσει πλήρως μέσα στον φορτιστή.

- ◆ Συνδέστε τον φορτιστή στην πρίζα και κατόπιν ενεργοποιήστε τον από το δίκτυο ρεύματος.

Η ενδεικτική λυχνία φόρτισης (18a) θα αναβοσβήνει. Η φόρτιση έχει ολοκληρωθεί όταν η ενδεικτική λυχνία φόρτισης (18a) ανάβει σταθερά. Ο φορτιστής και η μπαταρία μπορεί να μείνουν συνδεδεμένα επ' αόριστον. Η ενδεικτική λυχνία LED θα ανάβει καθώς ο φορτιστής αναπληρώνει περιστασιακά το φορτίο της μπαταρίας.

- ◆ Φορτίστε τις αποφορτισμένες μπαταρίες εντός 1 εβδομάδας. Η διάρκεια ζωής μιας μπαταρίας μειώνεται σημαντικά αν αποθηκευτεί σε αποφορτισμένη κατάσταση.



## Λειτουργίες LED φορτιστή

	<b>Φόρτιση:</b> Πράσινη LED - αναβοσβήνει	
	<b>Φόρτιση ολοκληρώθηκε:</b> Πράσινη LED - σταθερά αναμμένη	
	<b>Καθυστέρηση θερμού/ψυχρού πακέτου μπαταριών:</b> Πράσινη LED - αναβοσβήνει Κόκκινη LED - σταθερά αναμμένη	

**ΣΗΜΕΙΩΣΗ:** Ο/Οι συμβατός(-οί) φορτιστής(-ές) δεν θα φορτίσουν ένα πακέτο μπαταριών που παρουσιάζει βλάβη. Ο φορτιστής θα υποδεικνύει βλάβη του πακέτου μπαταριών με το να μην ανάβει καμία λυχνία.

**ΣΗΜΕΙΩΣΗ:** Αυτό θα μπορούσε να σημαίνει και πρόβλημα με τον φορτιστή. Αν ο φορτιστής υποδηλώνει πρόβλημα, παραδώστε τον φορτιστή και το πακέτο μπαταριών για έλεγχο σε εξουσιοδοτημένο κέντρο σέρβις.

### Παραμονή της μπαταρίας στο φορτιστή

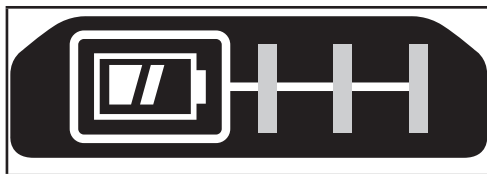
Ο φορτιστής και το πακέτο μπαταριών μπορούν να παραμείνουν συνδεδεμένα επ' αόριστον με τη λυχνία LED αναμμένη. Ο φορτιστής θα διατηρεί το πακέτο μπαταριών σε βέλτιστη κατάσταση και πλήρως φορτισμένο.

### Καθυστέρηση θερμού/ψυχρού πακέτου μπαταριών

Αν ο φορτιστής ανιχνεύσει ότι μια μπαταρία βρίσκεται σε πολύ υψηλή ή πολύ χαμηλή θερμοκρασία, τότε ξεκινά αυτόματα μια Καθυστέρηση θερμού/ψυχρού πακέτου μπαταριών, η πράσινη LED (18a) αναβοσβήνει, ενώ η κόκκινη LED (18b) παραμένει αναμμένη συνεχώς, και η φόρτιση αναστέλλεται έως ότου η μπαταρία αποκτήσει κατάλληλη θερμοκρασία. Κατόπιν, ο φορτιστής αρχίζει αυτόματα τη φόρτιση του πακέτου μπαταριών. Αυτή η λειτουργία διασφαλίζει τη μέγιστη διάρκεια ζωής της μπαταρίας.

### Ενδεικτική λυχνία κατάστασης φόρτισης μπαταρίας (Εικ. Β)

Η μπαταρία περιλαμβάνει μια ένδειξη κατάστασης φόρτισης για να μπορείτε να εκτιμάτε εύκολα τη διάρκεια ζωής της μπαταρίας, όπως δείχνει η εικόνα Β. Πατώντας το κουμπί κατάστασης φόρτισης (14a) μπορείτε να δείτε εύκολα τη φόρτιση που απομένει στην μπαταρία, όπως παρουσιάζεται στην εικόνα Β.



### Τοποθέτηση και αφαίρεση του πακέτου μπαταριών (Εικ. L)

**ΠΡΟΕΙΔΟΠΟΙΗΣΗ!** Βεβαιωθείτε ότι το εργαλείο/η συσκευή βρίσκεται σε απενεργοποιημένη κατάσταση πριν εισάγετε το πακέτο μπαταριών.

**ΣΗΜΕΙΩΣΗ:** Για τα καλύτερα αποτελέσματα, να βεβαιώνετε ότι το πακέτο μπαταριών είναι πλήρως φορτισμένο.

- ◆ Για να εγκαταστήσετε το πακέτο μπαταριών ( 14 ) στη λαβή του εργαλείου, ευθυγραμμίστε το πακέτο μπαταριών με τις ράγες στο εσωτερικό της λαβής του εργαλείου και σπρώξτε το μέσα στη λαβή έως ότου έχει εδράσει σταθερά μέσα στο εργαλείο και βεβαιωθείτε ότι δεν θα αποσυνδεθεί.
- ◆ Για να αφαιρέσετε το πακέτο μπαταριών από το εργαλείο, πατήστε το κουμπί απελευθέρωσης πακέτου μπαταριών ( 15 ) και τραβήξτε σταθερά το πακέτο μπαταριών έξω από τη λαβή του εργαλείου. Εισάγετέ το μέσα στον φορτιστή όπως περιγράφεται στο τμήμα περί φορτιστή στο παρόν χειρίδιο.

### Εγκατάσταση της λάμας-οδηγού και της αλυσίδας του πριονιού (Εικ. D-H)

**ΠΡΟΕΙΔΟΠΟΙΗΣΗ!** Αιχμηρή αλυσίδα. Φοράτε πάντα προστατευτικά γάντια όταν πιάνετε την αλυσίδα. Η αλυσίδα είναι αιχμηρή και μπορεί να σας κόψει και χωρίς να κινείται.

**ΠΡΟΕΙΔΟΠΟΙΗΣΗ!** Αιχμηρή κινούμενη αλυσίδα. Για αποτροπή της αθέλητης έναρξης λειτουργίας, βεβαιωθείτε ότι η μπαταρία έχει αφαιρεθεί από το εργαλείο, πριν πραγματοποιήσετε τις παρακάτω διαδικασίες. Σε αντίθετη περίπτωση υπάρχει κίνδυνος πρόκλησης σοβαρού τραυματισμού.

Εάν η αλυσίδα πριονιού (5) και η λάμα-οδηγός (4) είναι ξεχωριστά συσκευασμένες στο χαρτοκιβώτιο, η αλυσίδα πρέπει να συνδεθεί στη λάμα, και μαζί πρέπει να συνδεθούν στον κορμό του εργαλείου.

- ◆ Τοποθετήστε το πριόνι πάνω σε μια επίπεδη, σταθερή επιφάνεια.
- ◆ Περιστρέψτε το παξιμάδι ασφάλισης λάμας (7) αριστερόστροφα με το κλειδί Άλεν (16) που παρέχεται.
- ◆ Αφαιρέστε το κάλυμμα οδοντωτού τροχού (6), καθώς και το παξιμάδι ασφάλισης λάμας (7).
- ◆ Φορώντας προστατευτικά γάντια, πιάστε την αλυσίδα του πριονιού (5) και περάστε τη γύρω από τη λάμα-οδηγό (4), διασφαλίζοντας ότι τα δόντια είναι στραμμένα προς τη σωστή κατεύθυνση (Εικ. Η).

- ◆ Βεβαιωθείτε ότι η αλυσίδα έχει τοποθετηθεί σωστά μέσα στην αυλάκωση σε όλη την περίμετρο της λάμας-οδηγού.
- ◆ Τοποθετήστε την αλυσίδα του πριονιού γύρω από τον οδοντωτό τροχό (19). Ταυτόχρονα ευθυγραμμίζετε τη σχισμή στη λάμα-οδηγό με τον πείρο ( 20 ) για το τέντωμα της αλυσίδας και το μπουλόνι ( 21 ), πάνω στη βάση του εργαλείου, όπως φαίνεται στην Εικ. Ε.
- ◆ Αφού είναι η αλυσίδα στη θέση της, κρατήστε τη λάμα καθοδηγησης ακίνητη και επαναποθετήστε το κάλυμμα οδοντωτού τροχού (6). Εγκαταστήστε πρώτα το πίσω μέρος του συγκροτήματος καλύμματος οδοντωτού τροχού, περιστρέψτε το προς τα κάτω και βεβαιωθείτε ότι η οπή μπουλονιού στο κάλυμμα ευθυγραμμίζεται με το μπουλόνι (21), στο κύριο περιβλήμα.
- ◆ Εγκαταστήστε το παξιμάδι ασφάλισης λάμας (7) και περιστρέψτε το δεξιόστροφα με το παρεχόμενο κλειδί (16) μέχρι να σφίξει, και κατόπιν λασκάρετε το παξιμάδι κατά μία πλήρη στροφή, ώστε να μπορεί να τεντωθεί σωστά η αλυσίδα του πριονιού.
- ◆ Περιστρέψτε το κομψί τέντωματος αλυσίδας (8) δεξιόστροφα για να αυξήσετε την τάνυση, όπως δείχνει η Εικ. D. Βεβαιωθείτε ότι η αλυσίδα του πριονιού (5) είναι σφιχτή περιμετρικά στη λάμα-οδηγό (4). Συσφίξτε το παξιμάδι ασφάλισης λάμας (7) μέχρι να είναι σφιχτό.
- ◆ Ακολουθήστε τις οδηγίες στην ενότητα Ρύθμιση της τάνυσης της αλυσίδας.

### Ρύθμιση της τάνυσης της αλυσίδας (Εικ. D-H)

**ΠΡΟΕΙΔΟΠΟΙΗΣΗ!** Η λανθασμένη τάνυση της αλυσίδας του πριονιού μπορεί να προκαλέσει έξοδο της από τη λάμα-οδηγό και αυτό να έχει ως συνέπεια σοβαρό τραυματισμό ή θάνατο.

**ΣΗΜΕΙΩΣΗ:** Η τάνυση της αλυσίδας του πριονιού πρέπει να ρυθμίζεται τακτικά πριν από κάθε χρήση.

- ◆ Με το αλυσσπρίονο ακόμα πάνω σε μια σταθερή επιφάνεια, ελέγξτε την τάνυση της αλυσίδας του πριονιού (5). Η τάνυση είναι σωστή όταν αφού τραβήξετε με μικρή δύναμη την αλυσίδα του πριονιού (3 mm) από τη λάμα-οδηγό (4) χρησιμοποιώντας τον δείκτη και τον αντίχειρά σας, όπως δείχνει η Εικ. F, η αλυσίδα επανέρχεται στη λάμα. Στην κάτω πλευρά, δεν πρέπει να υπάρχει "κοιλιά" ανάμεσα στη λάμα-οδηγό και στην αλυσίδα, όπως δείχνει η Εικ. G.
  - ◆ Για να ρυθμίσετε την τάνυση της αλυσίδας πριονιού, λασκάρετε το παξιμάδι ασφάλισης λάμας (7).
  - ◆ Περιστρέψτε τη βίδα τάνυσης αλυσίδας ( 8 ) στο μπροστινό μέρος του περιβλήματος χρησιμοποιώντας το άκρο του κλειδιού με την ίσια μύτη του κλειδιού Άλεν (16).
  - ◆ Ελέγξτε την τάνυση της αλυσίδας πριονιού και προσαρμόστε την εάν χρειάζεται.
  - ◆ Μην τεντώνετε υπερβολικά την αλυσίδα, καθώς αυτό θα προκαλέσει υπερβολική φθορά και θα μειώσει τη διάρκεια ζωής της λάμας-οδηγού και της ίδιας της αλυσίδας του πριονιού.
- Η υπερβολική τάνυση επίσης μειώνει τον αριθμό των κλαδιών που μπορείτε να κόψετε ανά φόρτιση της μπαταρίας.
- ◆ Όταν είναι σωστή η τάνυση της αλυσίδας του πριονιού, σφίξτε το παξιμάδι ασφάλισης λάμας (7) μέχρι να είναι σφιχτό. Συσφίξτε το παξιμάδι ασφάλισης λάμας (7) στα (8 Nm).
  - ◆ Μια καινούργια αλυσίδα επιμηκύνεται ελαφρά κατά τις πρώτες λίγες ώρες χρήσης. Είναι σημαντικό να ελέγχετε την τάνυση συχνά (αφού αποσυνδέσετε την μπαταρία αφαιρέσετε το πακέτο μπαταριών) κατά τις δύο πρώτες ώρες χρήσης.

### Αντικατάσταση της αλυσίδας του πριονιού (Εικ. D-H)

**ΠΡΟΕΙΔΟΠΟΙΗΣΗ!** Αιχμηρή κινούμενη αλυσίδα. Για αποτροπή της αθέλητης έναρξης λειτουργίας, βεβαιωθείτε ότι η μπαταρία έχει αφαιρεθεί από το εργαλείο, πριν πραγματοποιήσετε τις παρακάτω διαδικασίες. Σε αντίθετη περίπτωση υπάρχει κίνδυνος πρόκλησης σοβαρού τραυματισμού.

**ΠΡΟΣΟΧΗ:** Αιχμηρή αλυσίδα. Φοράτε πάντα προστατευτικά γάντια όταν πιάνετε την αλυσίδα. Η αλυσίδα είναι αιχμηρή και μπορεί να σας κόψει και χωρίς να κινείται.

**ΠΡΟΣΟΧΗ:** Η ταχύτητα της αλυσίδας του προϊόντος αυτού είναι 8.6 m/s. Χρησιμοποιείτε μόνο αλυσίδες ονομαστικής ταχύτητας άνω των 8.6 m/s.

- ◆ Τοποθετήστε το πριόνι πάνω σε μια επίπεδη, σταθερή επιφάνεια.
- ◆ Αφαιρέστε το κάλυμμα οδοντωτού τροχού (6) όπως περιγράφεται στην ενότητα Εγκατάσταση της λάμας-οδηγού και της αλυσίδας του πριονιού.
- ◆ Για να αφαιρέσετε την αλυσίδα του πριονιού (5), περιστρέψτε τη βίδα τέντωματος αλυσίδας (8) στο μπροστινό μέρος του περιβλήματος χρησιμοποιώντας το άκρο του κλειδιού με ίσια μύτη κατασβιδιού. Η αριστερόστροφη περιστροφή της βίδας επιτρέπει στη λάμα-οδηγό (4) να υποχωρήσει και μειώνει την τάνυση στην αλυσίδα έτσι ώστε αυτή να μπορεί να αφαιρεθεί.
- ◆ Φορώντας προστατευτικά γάντια, πιάστε την αλυσίδα του πριονιού και ανυψώστε την έξω από την αυλάκωση της λάμας-οδηγού.
- ◆ Αλλάξτε πλευρά στη λάμα-οδηγό κάθε φορά που αντικαθιστάτε την αλυσίδα, για να εξασφαλίσετε ομοιόμορφη φθορά.
- ◆ Τοποθετήστε την καινούργια αλυσίδα μέσα στην αυλάκωση της λάμας-οδηγού και βεβαιωθείτε ότι τα δόντια του πριονιού δείχνουν στη σωστή κατεύθυνση ώστε ταιριάζουν το βέλος και το γραφικό αλυσίδας πριονιού στο κάλυμμα οδοντωτού τροχού (6) όπως φαίνεται στην Εικ. Η.
- ◆ Ακολουθήστε τις οδηγίες για την Εγκατάσταση της λάμας-οδηγού και της αλυσίδας του πριονιού.

Ανταλλακτική αλυσίδα και λάμα διατίθενται στο πλησιέστερο τοπικό σας εξουσιοδοτημένο κέντρο σέρβις.

Αυτό το αλυσοπρίονο χρειάζεται ανταλλακτική αλυσίδα (304 mm).

Ανταλλακτική λάμα (304 mm).

## Λίπανση με λάδι της αλυσίδας του πριονιού και της λάμας-οδηγού (Εικ. Ι)

### Αυτόματο σύστημα λίπανσης με λάδι

Αυτό το αλυσοπρίονο διαθέτει αυτόματο σύστημα λίπανσης με λάδι με το οποίο λιπαίνονται διαρκώς η αλυσίδα του πριονιού και η λάμα-οδηγός.

Ο δείκτης στάθμης λαδιού (10) δείχνει τη στάθμη του λαδιού στο αλυσοπρίονο. Αν το δοχείο του λαδιού είναι γεμάτο μόνο κατά το ένα τέτατο ή λιγότερο, αφαιρέστε την μπαταρία από το αλυσοπρίονο και γεμίστε πάλι το δοχείο λαδιού με τον σωστό τύπο λαδιού.

Πάντα αδειάζετε το ρεζερβουάρ λαδιού όταν τελειώνετε τις εργασίες κοπής.

Πάντα αδειάζετε το ρεζερβουάρ λαδιού πριν φυλάξετε ή αποθηκεύσετε αυτή τη μονάδα.

**ΣΗΜΕΙΩΣΗ:** Μη χρησιμοποιήσετε αυτό το αλυσοπρίονο χωρίς λάδι.

**ΣΗΜΕΙΩΣΗ:** Πάντα χρησιμοποιείτε υψηλής ποιότητας, βιοδιασπώμενο λάδι λίπανσης λάμας και αλυσίδας πριονιού, για να επιτυγχάνετε τη σωστή λίπανση αλυσίδας και λάμας. Κατά το κλάδεμα δέντρων, συνιστάται φυτική βάση λάδι λίπανσης λάμας και αλυσίδας πριονιού, επειδή τα ορυκτέλαια μπορεί να βλάψουν τα δένδρα. Ποτέ μη χρησιμοποιείτε ακάθαρτο, χρησιμοποιημένο ή μολυσμένο λάδι. Αν το κάνετε, μπορεί να προκληθεί ζημία στο εργαλείο.

### Γέμισμα του ρεζερβουάρ λαδιού

- ◆ Ξεβιδώστε αριστερόστροφα και κατόπιν αφαιρέστε το πώμα λαδιού (9). Γεμίστε το δοχείο με το συνιστώμενο λάδι λάμας και αλυσίδας έως ότου η στάθμη του λαδιού έχει φθάσει στο πάνω μέρος του δείκτη στάθμης λαδιού (10).
- ◆ Επανατοποθετήστε το πώμα λαδιού και σφίξτε το δεξιόστροφα.
- ◆ Περιοδικά απενεργοποιείτε το αλυσοπρίονο και ελέγχετε τον δείκτη στάθμης λαδιού για να διασφαλίσετε ότι λιπαίνονται σωστά η λάμα και η αλυσίδα. Περιοδικά απενεργοποιείτε το αλυσοπρίονο και ελέγχετε τον δείκτη στάθμης λαδιού για να διασφαλίσετε ότι λιπαίνονται σωστά η λάμα και η αλυσίδα.

### Μεταφορά του αλυσοπρίονου (Εικ. J)

- ◆ Πάντα απενεργοποιείτε τη μονάδα, αφαιρείτε την μπαταρία και καλύπτετε τη λάμα-οδηγό (4) με τη θήκη λάμας-οδηγού (11) όταν μεταφέρετε το πριόνι.

### Λειτουργία

**ΠΡΟΕΙΔΟΠΟΙΗΣΗ!** Για να μειώσετε τον κίνδυνο σοβαρού τραυματισμού, απενεργοποιήστε τη μονάδα και αφαιρέστε το πακέτο μπαταριών πριν πραγματοποιήσετε οποιοσδήποτε ρυθμίσεις ή αφαιρέσετε/εγκαταστήσετε προσαρτήματα ή αξεσουάρ. Τυχόν αθέλητη εκκίνηση μπορεί να προκαλέσει τραυματισμό.

### Σωστή τοποθέτηση των χεριών (Εικ. Κ)

**ΠΡΟΕΙΔΟΠΟΙΗΣΗ!** Για να μειώσετε τον κίνδυνο σοβαρού τραυματισμού, πάντα χρησιμοποιείτε τη σωστή τοποθέτηση των χεριών όπως δείχνει η εικόνα.

**ΠΡΟΕΙΔΟΠΟΙΗΣΗ!** Για να μειώσετε τον κίνδυνο σοβαρού τραυματισμού, πάντα κρατάτε σταθερά το εργαλείο σε αναμονή απότομης αντίδρασης.

Για τη σωστή τοποθέτηση των χεριών απαιτείται το αριστερό χέρι στην μπροστινή λαβή (13) με το δεξιό χέρι στην πίσω λαβή (12).

### Χρήση του αλυσοπρίονου (Εικ. Κ)

**ΠΡΟΕΙΔΟΠΟΙΗΣΗ!** Διαβάστε και κατανοήστε όλες τις οδηγίες. Η μη τήρηση οποιασδήποτε από τις οδηγίες που αναφέρονται πιο κάτω μπορεί να έχει ως αποτέλεσμα ηλεκτροπληξία, πυρκαγιά και/ή σοβαρό τραυματισμό ατόμων.

- ◆ Προφυλακτήρας από την ανάδραση που θα μπορούσε να προκαλέσει σοβαρότατο τραυματισμό ή θάνατο. Ανατρέξτε στις ενότητες Γενικές προειδοποιήσεις ασφαλείας για ηλεκτρικά εργαλεία και Γενικές προειδοποιήσεις ασφαλείας για αλυσοπρίονα και Αιτίες ανάδρασης και αποτροπή της από τον χειριστή και Χαρακτηριστικά ασφαλείας κατά της ανάδρασης, για να αποτραπεί ο κίνδυνος της ανάδρασης.
- ◆ Μην τεντώνετε υπερβολικά. Μην κόβετε πάνω από το ύψος του στήθους. Βεβαιωθείτε ότι στηρίζετε σταθερά στα πόδια σας. Διατηρείτε τα πόδια σας ελαφρώς ανοικτά. Μοιράζετε το βάρος σας ομοιόμορφα και στα δύο πόδια.
- ◆ Χρησιμοποιήστε σταθερή λαβή με το αριστερό σας χέρι στην μπροστινή λαβή (13) και το δεξιό σας χέρι στην πίσω λαβή (12) έτσι ώστε το σώμα σας να είναι αριστερά της λάμας-οδηγού (4).
- ◆ Μην κρατάτε το αλυσοπρίονο από το φρένο αλυσίδας/μπροστινό προφυλακτήρα χεριού (3). Διατηρείτε τον αγκώνα του αριστερού χεριού "κλειδωμένο" ώστε το αριστερό χέρι να είναι τεντωμένο για να μπορεί να αντισταθεί σε τυχόν ανάδραση.

**ΠΡΟΕΙΔΟΠΟΙΗΣΗ!** Ποτέ μην χρησιμοποιήσετε λαβή όπου τα χέρια διασταυρώνονται (αριστερό χέρι στην πίσω λαβή και δεξιό χέρι στην μπροστινή λαβή).

**ΠΡΟΕΙΔΟΠΟΙΗΣΗ!** Ποτέ μην αφήνετε κανένα μέρος του σώματός σας να είναι σε ευθεία με τη λάμα-οδηγό όταν χρησιμοποιείτε το αλυσοπρίονο.

- ♦ Ποτέ μη χρησιμοποιήσετε το πριόνι ενώ βρίσκεστε πάνω σε δέντρο, σε οποιαδήποτε άβολη θέση ή πάνω σε κινητή σκάλα ή οποιαδήποτε άλλη ασταθή επιφάνεια. Μπορεί να χάσετε τον έλεγχο του πριονιού με αποτέλεσμα σοβαρό τραυματισμό.
- ♦ Διατηρείτε το αλυσοπριόνι σε λειτουργία με πλήρη ταχύτητα σε όλη τη διάρκεια της κοπής.
- ♦ Αφήνετε την αλυσίδα του πριονιού να κόβει για λογαριασμό σας. Πρέπει να ασκείτε μόνο ελαφρά πίεση. Μην πιέζετε το αλυσοπριόνι στο τέλος της κοπής.

**ΠΡΟΕΙΔΟΠΟΙΗΣΗ!** Όταν δεν χρησιμοποιείτε το εργαλείο, έχετε πάντα το φρένο αλυσίδας συμπλεγμένο και την μπαταρία εκτός του εργαλείου.

### Ενεργοποίηση του φρένου αλυσίδας (Εικ. Κ, Λ)

Το αλυσοπριόνό σας διαθέτει ένα σύστημα φρένου αλυσίδας, για να σταματά η αλυσίδα γρήγορα σε περίπτωση ανάδρασης.

- ♦ Βεβαιωθείτε ότι το φρένο αλυσίδας/μπροστινός προφυλακτήρας χεριού (3) είναι στην μπροστινή θέση.
- ♦ Εισάγετε το πακέτο μπαταριών (14) στον φορτιστή.
- ♦ Τραβήξτε το φρένο αλυσίδας / μπροστινό προφυλακτήρα χεριού (3) προς την μπροστινή λαβή (13) ώστε να έρθει στη θέση "ετοιμότητας" όπως φαίνεται στην Εικ. Λ.
- ♦ Το εργαλείο είναι τώρα έτοιμο για χρήση.
- ♦ Μετά τη χρήση, επαναφέρετε το φρένο αλυσίδας/μπροστινό προφυλακτήρα χεριού στην μπροστινή θέση.
- ♦ Αφαιρέστε την μπαταρία.

**ΣΗΜΕΙΩΣΗ:** Σε περίπτωση ανάδρασης, το αριστερό χέρι σας θα έρθει σε επαφή με τον μπροστινό προφυλακτήρα, σπρώχνοντάς τον προς τα εμπρός, στην κατεύθυνση του αντικειμένου εργασίας. Έτσι το εργαλείο θα σταματήσει.

### Δοκιμή του φρένου αλυσίδας (Εικ. Λ)

Δοκιμάζετε το φρένο αλυσίδας πριν από κάθε χρήση για να βεβαιωθείτε ότι λειτουργεί σωστά.

- ♦ Τοποθετήστε το εργαλείο πάνω σε μια επίπεδη, σταθερή επιφάνεια. Βεβαιωθείτε ότι η αλυσίδα του πριονιού (5) δεν θα έρθει σε επαφή με το έδαφος.
- ♦ Κρατήστε το αλυσοπριόνι σταθερά και με τα δύο χέρια και ενεργοποιήστε το.
- ♦ Περιστρέψτε το αριστερό σας χέρι προς τα εμπρός γύρω από την μπροστινή λαβή (13) ώστε το πίσω μέρος του χεριού σας να έρθει σε επαφή με το φρένο αλυσίδας / μπροστινό προφυλακτήρα χεριού (3) και σπρώξτε το προς τα εμπρός, προς το αντικείμενο εργασίας. Η αλυσίδα του πριονιού θα πρέπει να σταματήσει αμέσως.

**ΣΗΜΕΙΩΣΗ:** Αν το πριόνι δεν σταματήσει αμέσως, σταματήστε άμεσα τη χρήση του και φέρτε το στο πλησιέστερο εξουσιοδοτημένο κέντρο σέρβις.

**ΠΡΟΕΙΔΟΠΟΙΗΣΗ!** Βεβαιωθείτε να έχετε θέσει το φρένο αλυσίδας σε ετοιμότητα πριν την κοπή.

### Διακόπτης On/Off (Εικ. Μ)

Πάντα να βεβαιώνετε για καλή στήριξη στα πόδια σας και να κρατάτε το αλυσοπριόνο σταθερά και με τα δύο χέρια, με τον αντίχειρα και τα δάκτυλα να περιβάλλουν και τις δύο λαβές.

- ♦ Για να ενεργοποιήσετε τη μονάδα, πιέστε κάτω τον μοχλό ασφάλισης (2), που φαίνεται στην Εικ. Μ και πιέστε τη σκανδάλη (1). Μόλις ενεργοποιηθεί η μονάδα, μπορείτε να ελευθερώσετε τον μοχλό ασφάλισης.
- ♦ Για να συνεχίσει να λειτουργεί η μονάδα, πρέπει να συνεχίσετε να πιέζετε τη σκανδάλη. Για να απενεργοποιήσετε τη μονάδα, ελευθερώστε τη σκανδάλη.

### Ακόνισμα της αλυσίδας του πριονιού (Εικ. Ν - Ρ)

**ΠΡΟΣΟΧΗ:** Αιχμηρή αλυσίδα. Φοράτε πάντα προστατευτικά γάντια όταν πιάνετε την αλυσίδα. Η αλυσίδα είναι αιχμηρή και μπορεί να σας κόψει και χωρίς να κινείται.

**ΠΡΟΕΙΔΟΠΟΙΗΣΗ!** Αιχμηρή κινούμενη αλυσίδα. Για αποτροπή της αθέλητης έναρξης λειτουργίας, βεβαιωθείτε ότι η μπαταρία έχει αφαιρεθεί από το εργαλείο πριν πραγματοποιηθούν τις παρακάτω διαδικασίες. Σε αντίθετη περίπτωση υπάρχει κίνδυνος πρόκλησης σοβαρού τραυματισμού.

**ΣΗΜΕΙΩΣΗ:** Τα κοπτικά της αλυσίδας θα στομώσουν αμέσως αν έρθουν σε επαφή με το έδαφος ή ένα καρφί κατά τη διάρκεια της κοπής.

Για να έχετε την καλύτερη δυνατή απόδοση του αλυσοπριόνου, είναι σημαντικό να διατηρείτε καλά ακονισμένα τα δόντια της αλυσίδας του πριονιού. Ακολουθείτε τις παρακάτω χρήσιμες συμβουλές για το σωστό ακόνισμα της αλυσίδας του πριονιού:

- ♦ Για τα καλύτερα αποτελέσματα, χρησιμοποιείτε μια λίμα των 4,5 mm και ένα εξάρτημα συγκράτησης της λίμας ή έναν οδηγό λίμας, για να ακονίσετε την αλυσίδα του πριονιού σας. Έτσι θα εξασφαλίσετε ότι θα έχετε πάντα τις σωστές γωνίες ακονίσματος.
- ♦ Τοποθετήστε το εξάρτημα συγκράτησης λίμας επίπεδα πάνω στην πάνω πλάκα και στο ρυθμιστή βάθους κοπής του κοπτικού της αλυσίδας.
- ♦ Διατηρήστε τη σωστή γραμμή γωνίας λιμαρίσματος 30° για την πάνω πλάκα (22) στον οδηγό λίμας που είναι παράλληλος με την αλυσίδα (λίμα σε γωνία 60° από την αλυσίδα όπως φαίνεται από το πλάι) όπως δείχνει η εικόνα.
- ♦ Ακονίστε πρώτα τα κοπτικά στη μία πλευρά της αλυσίδας. Λιμάρετε από την εσωτερική πλευρά κάθε κοπτικού αλυσίδας προς την εξωτερική. Κατόπιν γυρίστε το πριόνι σας από την άλλη πλευρά και επαναλάβετε τις διαδικασίες (2, 3, 4) για τα κοπτικά στην άλλη πλευρά της αλυσίδας.

**ΣΗΜΕΙΩΣΗ:** Χρησιμοποιήστε μια επίπεδη λίμα για να λιμάρτε τα πάνω τμήματα των ρυθμιστών βάθους (τμήμα του κρικού αλυσίδα που βρίσκεται μπροστά από το κοπτικό) ώστε να είναι περίπου (0,635 mm) κάτω από τις μύτες των κοπτικών όπως δείχνει η εικόνα παρακάτω.

- ◆ Διατηρείτε όλα τα μήκη κοπτικών ίσα, όπως δείχνει η Εικ. Ο.
- ◆ Αν υπάρχει ζημιά στην επιφάνεια χρωμίου των πάνω πλακών ή των πλευρικών πλακών, λιμάρτε και αφαιρέστε αυτή τη ζημιά.

**ΠΡΟΣΟΧΗ:** Μετά το λιμάρισμα, το κοπτικό της αλυσίδας θα είναι αιχμηρό, να είστε εξαιρετικά προσεκτικοί κατά τη διαδικασία αυτή.

**ΣΗΜΕΙΩΣΗ:** Κάθε φορά που τροχίζεται η αλυσίδα, χάνει μέρος των ιδιοτήτων χαμηλής ανάδρασης που έχει, και επομένως πρέπει να αυξάνετε την προσοχή σας. Συνιστάται να μην ακονίζετε μια αλυσίδα πρινιού περισσότερες από τέσσερις φορές.

### Φύλαξη του κλειδιού Άλεν (Εικ. Q)

Όταν δεν χρησιμοποιείται το κλειδί Άλεν (16), πρέπει να φυλάσσεται στη θέση φύλαξης κλειδιού Άλεν (17) που βρίσκεται κάτω από το εργαλείο.

Τραβήξτε το κλειδί Άλεν από τη θέση φύλαξης κλειδιού Άλεν για να το αφαιρέσετε.

Σπρώξτε το κλειδί Άλεν στη θέση φύλαξης κλειδιού Άλεν για να το φυλάξετε.

### Σύστημα ραγών τοίχου Stanley (Εικ. R, S)

**ΠΡΟΕΙΔΟΠΟΙΗΣΗ!** Για να μειώσετε τον κίνδυνο σοβαρού τραυματισμού, απενεργοποιείτε τη μονάδα και αφαιρείτε το πακέτο μπαταριών πριν πραγματοποιήσετε οποιοσδήποτε ρυθμίσεις ή πριν αφαιρέσετε/τοποθετήσετε προσαρτήματα ή αξεσουάρ. Τυχόν αθέλητη εκκίνηση μπορεί να προκαλέσει τραυματισμό.

**ΠΡΟΕΙΔΟΠΟΙΗΣΗ!** Για να μειώσετε τον κίνδυνο σοβαρού τραυματισμού, αν υπάρχει ζημιά είτε στον ενσωματωμένο γάντζο ανάρτησης σε σύστημα ραγών τοίχου Stanley είτε στο ίδιο το σύστημα ραγών τοίχου, μη χρησιμοποιείτε αυτές τις δυνατότητες. Αν υπάρχει ζημιά είτε στον ενσωματωμένο γάντζο ανάρτησης σε σύστημα ραγών τοίχου Stanley είτε στο ίδιο το σύστημα ραγών τοίχου Stanley, τότε δεν θα μπορεί να υποστηρίξει το βάρος του εργαλείου.

**ΠΡΟΕΙΔΟΠΟΙΗΣΗ!** Για να μειώσετε τον κίνδυνο σοβαρού τραυματισμού, ΜΗΝ αναρτάτε το εργαλείο σε υπερυψωμένη θέση και μην αναρτάτε αντικείμενα από τον ενσωματωμένο γάντζο ανάρτησης. Αναρτάτε εργαλείο στο Σύστημα ραγών τοίχου Stanley MONO με χρήση του ενσωματωμένου γάντζου ανάρτησης.

**ΠΡΟΕΙΔΟΠΟΙΗΣΗ!** Ο ενσωματωμένος γάντζος ανάρτησης για σύστημα ραγών τοίχου Stanley προορίζεται μόνο για την τοποθέτηση του εργαλείου σε ένα σύστημα ραγών τοίχου Stanley.

Μη χρησιμοποιείτε τον ενσωματωμένο γάντζο ανάρτησης για τοποθέτηση του εργαλείου σε οποιαδήποτε επιφάνεια.

**ΠΡΟΕΙΔΟΠΟΙΗΣΗ!** Ο ενσωματωμένος γάντζος ανάρτησης σε σύστημα ραγών τοίχου Stanley δεν είναι άγκιστρο ζώνης.

**ΠΡΟΕΙΔΟΠΟΙΗΣΗ!** Όταν αναρτάτε αντικείμενα σε μια ράγα ενός συστήματος ραγών τοίχου Stanley, βεβαιωθείτε επαρκείς αποστάσεις ανάμεσα στα εργαλεία ώστε να μην υπερβείτε το βάρος των 35 kg ανά τρέχον πόδι μήκους του συστήματος.

**ΠΡΟΕΙΔΟΠΟΙΗΣΗ!** Πριν χρησιμοποιήσετε το εργαλείο βεβαιωθείτε ότι ο ενσωματωμένος γάντζος ανάρτησης σε σύστημα ραγών τοίχου Stanley έχει επιστραφεί στην αρχική του θέση.

**ΣΗΜΑΝΤΙΚΟ:** Τα αξεσουάρ για σύστημα ραγών τοίχου Stanley μπορούν να χρησιμοποιούνται μόνο για την τοποθέτηση συμβατών εργαλείων στο σύστημα ραγών τοίχου Stanley.

Απενεργοποιήστε το εργαλείο, αφαιρέστε το πακέτο μπαταριών και αφαιρέστε τα αξεσουάρ.

Εγκαταστήστε τη θήκη λάμας-οδηγού (11) στη λάμα-οδηγό (4).

**ΠΡΟΣΟΧΗ:** Οποιοδήποτε προϊόν με εκτεθειμένα κοπτικά δόντια επιτρέπεται να τοποθετηθεί σε σύστημα ραγών τοίχου Stanley μόνο αφού καλυφθούν με ασφάλεια τα δόντια. Τοποθετήστε τον ενσωματωμένο γάντζο ανάρτησης (23) στο σύστημα ραγών τοίχου Stanley Trackwall όπως δείχνει η Εικ. R, S. Όταν ασφαλίσει στη θέση του παράγεται χαρακτηριστικός ήχος κλικ.

**ΣΗΜΕΙΩΣΗ:** Τα αξεσουάρ συστήματος ραγών τοίχου Stanley Trackwall που συνιστώνται για χρήση με το εργαλείο σας διατίθενται έναντι πρόσθετης χρέωσης στον τοπικό σας αντιπρόσωπο ή σε εξουσιοδοτημένο κέντρο σέρβις.

### Κοινές τεχνικές κοπής

#### Υλοτόμηση (Εικ. T, U)

Η διαδικασία κοπής και ρίψης ενός δέντρου. Μην υλοτομείτε δέντρα σε συνθήκες μεγάλης έντασης ανέμου.

**ΠΡΟΕΙΔΟΠΟΙΗΣΗ!** Η υλοτόμηση μπορεί να καταλήξει σε τραυματισμό ατόμων. Θα πρέπει να γίνεται από εκπαιδευμένο άτομο.

Πρέπει να σχεδιάζετε και να καθαρίζετε από εμπόδια μια οδός διαφυγής όπως χρειάζεται, πριν αρχίσετε τις τομές. Η οδός διαφυγής θα πρέπει να εκτείνεται προς τα πίσω, και διαγώνια σε σχέση με το πίσω μέρος της αναμενόμενης γραμμής πτώσης, όπως φαίνεται παρακάτω.

- ◆ Πριν αρχίσετε την εργασία υλοτόμησης, εξετάστε τη φυσική κλίση του δέντρου, τη θέση των μεγαλύτερων κλάδων και την κατεύθυνση του ανέμου, για να κρίνετε προς ποια κατεύθυνση θα πέσει το δέντρο. Έχετε σε άμεση ετοιμότητα σφήνες (από ξύλο, πλαστικό ή αλουμίνιο) και ένα βαρύ ξυλόσφυρο.

Αφαιρέστε χώμα, πέτρες, χαλαρά κομμάτια φλοιού, καρφιά, συνδετήρες και σύρματα από το δέντρο στο οποίο θα γίνουν οι τομές υλοτόμησης.

- ◆ Κάτω τομή εγκοπής - Κάνετε την εγκοπή έως το 1/3 της διαμέτρου του δέντρου, κάθετα ως προς την κατεύθυνση κοπής. Πραγματοποιήστε πρώτα την κάτω οριζόντια τομή εγκοπής. Αυτό θα συμβάλει στην αποφυγή του μαγκώματος είτε της αλυσίδας του πριονιού είτε της λάμας-οδηγού όταν πραγματοποιείτε τη δεύτερη τομή εγκοπής, όπως φαίνεται παρακάτω.
- ◆ Πίσω τομή υλοτόμησης - Κάνετε την πίσω τομή υλοτόμησης τουλάχιστον 51 mm πιο ψηλά από την οριζόντια τομή εγκοπής. Διατηρήστε την πίσω τομή υλοτόμησης παράλληλη με την οριζόντια τομή εγκοπής. Εκτελέστε την πίσω τομή υλοτόμησης έτσι ώστε να παραμείνει αρκετή ποσότητα ξύλου για να ενεργήσει ως άρθρωση. Το ξύλο άρθρωσης εμποδίζει το ξύλο να συστραφεί και να πέσει σε λανθασμένη κατεύθυνση. Μην κάνετε τομές στο τμήμα του ξύλου που χρησιμεύει ως άρθρωση, όπως φαίνεται παρακάτω.
- ◆ Καθώς η τομή υλοτόμησης πλησιάζει στην άρθρωση, το δέντρο θα πρέπει να αρχίσει να πέφτει. Αν υπάρχει οποιαδήποτε πιθανότητα το δέντρο να μην πέσει στην επιθυμητή κατεύθυνση ή να γείρει προς τα πίσω και να κάνει την αλυσίδα του πριονιού να μαγκώσει, σταματήστε να κόβετε πριν ολοκληρωθεί η τομή υλοτόμησης και χρησιμοποιήστε σφήνες για να ανοίξετε την τομή και να ρίξετε το δέντρο προς την επιθυμητή γραμμική πτώσης. Όταν το δέντρο αρχίσει να πέφτει, αφαιρέστε το αλυσοπρίονο από την τομή, σταματήστε το μοτέρ, αφήστε κάτω το αλυσοπρίονο και χρησιμοποιήστε τη σχεδιασμένη οδό διαφυγής. Να είστε σε εγρήγορση για τυχόν κλαδιά που μπορεί να πέσουν και προσέχετε πού πατάτε.

## Αποκλάδωση (Εικ. V)

Αφαίρεση των κλαδιών από υλοτομημένο δέντρο. Κατά την αποκλάδωση, αφήστε τα μεγαλύτερα, κατώτερα κλαδιά, ώστε να στηρίζουν τον κορμό στο έδαφος. Αφαιρείτε τα μικρά κλαδιά με μια ενέργεια κοπής. Οι κλάρες που βρίσκονται υπό μηχανική τάση πρέπει να κόβονται από το κάτω μέρος της κλάρας προς το πάνω, για αποφυγή του μαγκώματος του αλυσοπρίονου, όπως φαίνεται στην Εικ. V. Κόβετε τα κλαδιά από την αντίθετη πλευρά έτσι ώστε ο κορμός του δέντρου να βρίσκεται ανάμεσα σε σας και στο πριόνι. Ποτέ μην εκτελείτε κοπές με το πριόνι ανάμεσα στα πόδια σας και μην τοποθετείτε τα πόδια σας εκατέρωθεν του κλαδιού που πρόκειται να κόψετε.

## Τεμαχισμός (Εικ. W, X, Y, Z)

**ΠΡΟΕΙΔΟΠΟΙΗΣΗ!** Συνιστάται οι άπειροι χρήστες να εξασκηθούν στην κοπή με ξύλο που είναι στηριγμένο σε καβαλέτο.

Η κοπή ενός υλοτομημένου δέντρου ή κορμού σε τμήματα ορισμένου μήκους. Ο τρόπος κοπής εξαρτάται από τον τρόπο στήριξης του κορμού. Χρησιμοποιείτε καβαλέτο όποτε είναι δυνατόν, όπως δείχνει η Εικ. W.

- ◆ Πάντα να ξεκινάτε μια τομή με την αλυσίδα του πριονιού να κινείται με πλήρη ταχύτητα.
- ◆ Τοποθετήστε το κάτω δόντι του αλυσοπρίονου πίσω από την περιοχή της αρχικής τομής, όπως φαίνεται στην Εικ. W.
- ◆ Ενεργοποιήστε το αλυσοπρίονο και κατόπιν περιστρέψτε την αλυσίδα του πριονιού και τη λάμα προς τα κάτω ώστε να εισέλθουν στο δέντρο, χρησιμοποιώντας το δόντι του αλυσοπρίονου ως σημείο άρθρωσης.
- ◆ Αφού το αλυσοπρίονο φθάσει σε γωνία 45°, οριζοντιώστε πάλι το αλυσοπρίονο και επαναλάβετε τα βήματα έως ότου ολοκληρωθεί η κοπή.
- ◆ Όταν το δέντρο υποστηρίζεται σε όλο το μήκος του, Εικ. X, πραγματοποιήστε μια τομή από το πάνω μέρος (άνω τομή τεμαχισμού), αλλά αποφεύγετε να κόψετε το έδαφος, γιατί έτσι το πριόνι σας θα στομώσει γρήγορα.
- ◆ Όταν υποστηρίζεται στο ένα άκρο, Εικ. Y, πρώτα κόψτε 1/3 της διαμέτρου από την κάτω πλευρά (κάτω τομή τεμαχισμού). Κατόπιν πραγματοποιήστε την τελική τομή με άνω τομή τεμαχισμού μέχρι να συναντήσετε την πρώτη τομή, όπως δείχνει η Εικ. Y.
- ◆ Όταν υποστηρίζεται και στα δύο άκρα, Εικ. Z. Πρώτα κόψτε 1/3 της διαμέτρου με την άνω τομή τεμαχισμού. Κατόπιν πραγματοποιήστε την τελική τομή με κάτω τομή τεμαχισμού κατά τα 2/3 μέχρι να συναντήσετε την πρώτη τομή, όπως δείχνει η Εικ. Z.

## Αντιμετώπιση προβλημάτων

Πρόβλημα	Πιθανή αιτία	Πιθανή λύση
Το εργαλείο δεν ενεργοποιείται	Το κουμπί ασφάλισης δεν είναι πατημένο.	Πατήστε το κουμπί ασφάλισης.
	Δεν έχει τοποθετηθεί η μπαταρία	Τοποθετήστε την μπαταρία
	Η μπαταρία δεν είναι φορτισμένη	Φορτίστε την μπαταρία
	Η μπαταρία δεν έχει τοποθετηθεί σωστά	Αφαιρέστε και τοποθετήστε ξανά την μπαταρία
Η αλυσίδα δεν ακινητοποιείται εντός 2 δευτερολέπτων, όταν απενεργοποιείται το εργαλείο	Η αλυσίδα είναι πολύ χαλαρή	Ελέγξτε την τάση της αλυσίδας

Πρόβλημα	Πιθανή αιτία	Πιθανή λύση
Η μπάρα/αλυσίδα φαίνονται θερμές/καπνίζουν	Άδειο ρεζερβουάρ λαδιού	Ελέγξτε τη στάθμη στο ρεζερβουάρ λαδιού
	Φραγμένη οπή λαδιού στη λάμα αλυσίδας	Καθαρίστε τις σπές λαδιού και καθαρίστε την αλσάκωση γύρω από το άκρο της λάμας αλυσίδας.
	Η αλυσίδα είναι υπερβολικά τεντωμένη	Ελέγξτε την τάνυση της αλυσίδας
	Ο οδοντωτός τροχός της λάμας-οδηγού αλυσίδας χρειάζεται λίπανση	Λιπάνετε τον οδοντωτό τροχό της λάμας-οδηγού
Το αλυσοπρίονο δεν κόβει καλά	Αλυσίδα τοποθετημένη ανάποδα	Ελέγξτε/τροποποιήστε την κατεύθυνση της αλυσίδας
		Ακονίστε
Το αλυσοπρίονο δεν χρησιμοποιεί λάδι	Άχρηστα υλικά μέσα στο ρεζερβουάρ λαδιού	Αδειάστε το λάδι από το ρεζερβουάρ λαδιού και αντικαταστήστε το
	Φραγμένη οπή λαδιού στο πώμα	Αφαιρέστε τα άχρηστα υλικά από την οπή
	Άχρηστα υλικά στη λάμα αλυσίδας	Αφαιρέστε τα άχρηστα υλικά και καθαρίστε τη λάμα αλυσίδας
	Άχρηστα υλικά στην έξοδο λαδιού	Αφαιρέστε τα άχρηστα υλικά
Το αλυσοπρίονο σταματά ξαφνικά κατά τη χρήση	Η μπαταρία έχει εξαντληθεί	Ελέγξτε τη φόρτιση της μπαταρίας πιέζοντας τον δείκτη κατάστασης φόρτισης. Επαναφορτίστε τη μπαταρία αν απαιτείται.
	Η μπαταρία υπερθερμάνθηκε	Αφήστε την μπαταρία να κρυώσει για τουλάχιστον 30 λεπτά, προτού συνεχίσετε ή τη φορτίσετε.
	Προστασία ορίου ρεύματος	Επανεκκινήστε το αλυσοπρίονο. Αφήνετε το εργαλείο να λειτουργήσει με τον δικό του ρυθμό. Μην υπερφορτώνετε.

## Συντήρηση

Η τακτική συντήρηση εξασφαλίζει μεγάλη διάρκεια ζωής του εργαλείου. Συνιστάται να πραγματοποιείτε τους ακόλουθους ελέγχους σε τακτική βάση.

**ΠΡΟΕΙΔΟΠΟΙΗΣΗ!** Πριν πραγματοποιήσετε οποιοδήποτε συντήρηση σε ηλεκτρικά εργαλεία:

- ◆ Απενεργοποιήστε και αποσυνδέστε το εργαλείο από την παροχή ρεύματος δικτύου.

## Στάθμη λαδιού

Η στάθμη στο ρεζερβουάρ δεν πρέπει να πέφτει κάτω από το ένα τέταρτο της μέγιστης.

## Αλυσίδα πριονιού και λάμα-οδηγός αλυσίδας

- ◆ Μετά από κάθε λίγες ώρες χρήσης και πριν τη φύλαξη, αφαιρέστε τη λάμα-οδηγό και την αλυσίδα πριονιού και καθαρίστε τις σχολαστικά.
- ◆ Βεβαιωθείτε ότι ο προφυλακτήρας είναι καθαρός και δεν έχει κατάλοιπα.
- ◆ Λαδώστε την άκρη του οδοντωτού τροχού και τη λάμα αλυσίδας μέσω των οπών λίπανσης του οδοντωτού τροχού. Έτσι εξασφαλίζεται η ομοιόμορφη κατανομή της φθοράς γύρω από τις ράγες της λάμας-οδηγού.

## Ακόνισμα της αλυσίδας του πριονιού

Για την καλύτερη δυνατόν απόδοση του εργαλείου, είναι σημαντικό να διατηρείτε τα δόντια της αλυσίδας πριονιού ακονισμένα.

Οι οδηγίες για αυτήν τη διαδικασία βρίσκονται στο πακέτο του ακονιστή.

## Αντικατάσταση φραγμένων αλυσίδων πριονιού

Ανταλλακτικές αλυσίδες πριονιού διατίθενται από καταστήματα ή κέντρα σέρβις της STANLEY FATMAX. Χρησιμοποιείτε πάντα γνήσια ανταλλακτικά.

## Ικανότητα κοπής της αλυσίδας πριονιού

Τα κοπτικά της αλυσίδας πριονιού θα στομώσουν αμέσως εάν έρθουν σε επαφή με το έδαφος ή ένα καρφί κατά τη διάρκεια της κοπής.

## Τάνυση της αλυσίδας πριονιού

Ελέγχετε τακτικά την τάνυση της αλυσίδας του πριονιού.

## Τι πρέπει να κάνετε αν το αλυσοπρίονο χρειάζεται επισκευή;

Το αλυσοπρίονό σας κατασκευάστηκε σύμφωνα με τις σχετικές προδιαγραφές ασφαλείας. Οι επισκευές θα πρέπει να γίνονται μόνο από ειδικευμένους τεχνικούς και με τη χρήση αποκλειστικά γνήσιων ανταλλακτικών, διαφορετικά υπάρχει το ενδεχόμενο σοβαρού κινδύνου για το χρήστη. Συνιστούμε να φυλάσσετε αυτό το εγχειρίδιο χρήσης σε ασφαλές μέρος.

## Προστασία του περιβάλλοντος



Χωριστή συλλογή. Τα προϊόντα και οι μπαταρίες που επισημαίνονται με αυτό το σύμβολο δεν πρέπει να απορρίπτονται μαζί με τα κανονικά οικιακά απορρίμματα.

Τα προϊόντα και οι μπαταρίες περιέχουν υλικά που μπορούν να ανακτηθούν ή να ανακυκλωθούν, ώστε να μειωθούν οι ανάγκες για πρώτες ύλες.

Παρακαλούμε να ανακυκλώνετε τα ηλεκτρικά προϊόντα και τις μπαταρίες σύμφωνα με τους τοπικούς κανονισμούς. Περισσότερες πληροφορίες διατίθενται στον ιστότοπο [www.2helpU.com](http://www.2helpU.com)

## Τεχνικά χαρακτηριστικά

SFMCCS730			
Τάση	$V_{DC}$		18
Μήκος λάμψας	mm		300
Ταχύτητα αλυσίδας (χωρίς φορτίο)	m/s		6,7
Μέγιστο μήκος κοπής	mm		250
Χωρητικότητα δοχείου λαδιού	ml		150
Βάρος	kg	2,51 (χωρίς αλυσίδα προιονού λάμα-οδηγό, κάλυμμα λάμας-οδηγού, λάδι, μπαταρία)	

Φορτιστής		SFMCB11	SFMCB12	SFMCB14
Τάση εισόδου	$V_{AC}$	230	230	230
Τάση εξόδου	$V_{DC}$	18	18	18
Ρεύμα	A	1,25	2	4

Μπαταρία		SFMCB201	SFMCB202	SFMCB204	SFMCB206
Τάση	$V_{DC}$	18	18	18	18
Χωρητικότητα	Ah	1,5	2,0	4,0	6,0
Τύπος		Li-Ion (ιόντων λιθίου)	Li-Ion (ιόντων λιθίου)	Li-Ion (ιόντων λιθίου)	Li-Ion (ιόντων λιθίου)

Στάθμη ηχητικής πίεσης κατά EN 62841:

$L_{pA}$  (ηχητική πίεση) 87 dB(A), αβεβαιότητα (K) 3 dB(A)

$L_{WA}$  (ηχητική ισχύς) 99 dB(A), αβεβαιότητα (K) 1,6 dB(A)

Συνολικές τιμές κραδασμών (διανυσματικό άθροισμα τριών αξόνων) σύμφωνα με το EN 62841:

Τιμή εκπομπής κραδασμών ( $a_{tr}$ ) 6,5 m/s<sup>2</sup>, αβεβαιότητα (K) 1,5 m/s<sup>2</sup>

## Δήλωση συμμόρφωσης EK

ΟΔΗΓΙΑ ΠΕΡΙ ΜΗΧΑΝΗΜΑΤΩΝ



SFMCCS730 – Αλυσοπρίονο συμπαγών διαστάσεων H STANLEY FATMAX δηλώνει ότι τα προϊόντα αυτά που περιγράφονται στα "τεχνικά χαρακτηριστικά" συμμορφώνονται με τα ακόλουθα: 2006/42/EK, EN 62841-1:2015+A11:2022, EN 62841-4-1:2020, 2000/14/EK, Παράρτημα V

LWA (μετρηθείσα στάθμη ηχητικής ισχύος) 99 dB(A), αβεβαιότητα (K)= 1,6 dB(A), LWA (εγγυημένη ηχητική ισχύς) 101 dB(A)

Αυτά τα προϊόντα συμμορφώνονται επίσης με την Οδηγία 2014/30/EE και 2011/65/EE.

Για περισσότερες πληροφορίες, επικοινωνήστε με τη STANLEY FATMAX στην παρακάτω διεύθυνση ή ανατρέξτε στο πίσω μέρος του εγχειριδίου.

Ο κάτωθι υπογεγραμμένος είναι υπεύθυνος για την κατάρτιση του τεχνικού φακέλου και δηλώνει τα παρόντα εκ μέρους της STANLEY FATMAX

*Patrick Diepenbach*

Patrick Diepenbach  
Γενικός διευθυντής, Μπενελούξ  
Stanley FatMax,

Egide Walschaertsstraat 14-18  
2800 Mechelen, Belgium (Βέλγιο)  
28/06/2023

## Εγγύηση

Η STANLEY FATMAX είναι σίγουρη για την ποιότητα των προϊόντων της και προσφέρει στους καταναλωτές εγγύηση 12 μηνών από την ημερομηνία αγοράς. Αυτή η εγγύηση συμπληρώνει και με κανένα τρόπο δεν παραβάλλει τα νόμιμα δικαιώματά σας. Η εγγύηση ισχύει εντός της επικράτειας των χωρών μελών της Ευρωπαϊκής Ένωσης και της Ευρωπαϊκής Ζώνης Ελεύθερων Συναλλαγών καθώς και του Ηνωμένου Βασιλείου.

Για να υποβάλετε αξίωση βάσει της εγγύησης, η αξίωση θα πρέπει να είναι σύμφωνη με τους Όρους και τις Προϋποθέσεις της STANLEY FATMAX και θα χρειαστεί να υποβάλετε απόδειξη αγοράς στον πωλητή ή σε εξουσιοδοτημένο αντιπρόσωπο επισκευών. Μπορείτε να αποκτήσετε τους Όρους και Προϋποθέσεις της εγγύησης 1 έτους της STANLEY FATMAX και να μάθετε την τοποθεσία του πλησιέστερου εξουσιοδοτημένου αντιπροσώπου επισκευών στο Internet στο [www.2helpU.com](http://www.2helpU.com), ή επικοινωνώντας με το τοπικό σας γραφείο STANLEY FATMAX στη διεύθυνση που υποδεικνύεται στο παρόν εγχειρίδιο.

Επισκεφθείτε τον ιστότοπό μας [www.stanley.eu/3](http://www.stanley.eu/3) για να καταχωρίσετε το καινούργιο προϊόν STANLEY FATMAX που αποκτήσατε και για να λαμβάνετε ενημερώσεις σχετικά με νέα προϊόντα και ειδικές προσφορές.









<b>België/Belgique</b>	Stanley Fat Max E. Walschaertstraat 14-16 2800 Mechelen Belgium	De. Tel. +32 70 220 065 Fr. Tel. +32 70 220 066 Fax +32 15 473 799 www.stanleytools.eu Enduser.be@SBDinc.com
<b>Danmark</b>	Stanley Fat Max Farveland 1B 2600 Glostrup	Tel. 70 20 15 10 Fax 70 22 49 10 www.stanleyworks.dk
<b>Deutschland</b>	Stanley Fat Max Richard Klinger Str. 11, D - 65510 Idstein	Tel. 06126 21-1 Fax 06126 21-2770
<b>Ελλάδα</b>	Stanley Fat Max. Σπράβωνος 7 & Λεωφ. Βουλιαγμένης 159 Γλυφάδα 166 74 - Αθήνα	Τηλ. +30 210 8981-616 Φαξ +30 210 8983-285 www.stanleyworks.gr
<b>España</b>	Stanley Fat Max. Parc de Negocis "Mas Blau" Edificio Muntadas, c/Bergadá, 1, Of. A6 08820 El Prat de Llobregat (Barcelona)	Tel. 934 797 400 Fax 934 797 419 respuesta.postventa@sbdinc.com www.stanleyworks.es
<b>France</b> www.blackanddecker.fr	Stanley Black & Decker. 62 chemin de la Bruyère 69570 Dardilly, France	Tel. 04 72 20 39 20 Fax 04 72 20 39 00
<b>Helvetia</b>	Stanley Fat Max Tel. 01 730 67 47 In der Luberzen 40 8902 Urdorf	Fax 01 730 70 67 www.stanleyworks.de
<b>Italia</b>	Stanley Fat Max Energypark-Building 03 sud, Via Monza 7/A 20871 Vimercate (MB)	Tel. 039-9590200 Fax 039-9590313 www.stanley.it
<b>Nederland</b>	Stanley Fat Max Joulehof 12, 4600 RG Bergen op Zoom	Tel. +31 164 283 065 Fax +31 164 283 200 Enduser.NL@SBDinc.com
<b>Norge</b>	Stanley Fat Max Postboks 4613, Nydalen 0405 Oslo	Tlf. 45 25 13 00 Fax 45 25 08 00
<b>Österreich</b>	Stanley Fat Max Oberlaaerstraße 248, A-1230 Wien	Tel. 01 66116-0 Fax 01 66116-614 www.stanleyworks.de
<b>Portugal</b>	Stanley Fat Max Centro de Escritórios de Sintra Avenida Almirante Gago Coutinho, 132/134, Edifício 142710-418 Sintra 2710-418 Lisboa	Tel. 214667500 Fax 214667575 resposta.posvenda@sbdinc.com
<b>Suomi</b>	Stanley Fat Max Tekniikantie 12, 02150 Espoo	Puh. 010 400 430 Faksi 0800 411 340 www.stanleyworks.fi
<b>Sverige</b>	Stanley Fat Max Box 94, 431 22 Mölndal	Tel. 031-68 61 00 Fax 031-68 60 08
<b>Türkiye</b> <a href="https://tr.blackanddecker.global">https://tr.blackanddecker.global</a> info-tr@sbdinc.com	Stanley Black & Decker Turkey Alet Üretim Tic. Ltd.Şti. Herenköy Mahallesi Umut Sokak No: 10--12 / 82--83--84 Kat: 19 Ataşehir-Istanbul, Türkiye	Tel. +90 216 665 2900 Fax. +90 216 665 2901
<b>United Kingdom</b>	Stanley Fat Max 270 Bath Road Slough, Berkshire SL1 4DX	Tel. +44 (0)1753 511234 Fax +44 (0)1753 551155 www.stanleytools.co.uk
<b>Middle East &amp; Africa</b>	Stanley Fat Max P.O.Box - 17164 Jebel Ali (South Zone), Dubai, UAE	Tel. +971 4 8127400 Fax +971 4 8127036 www.stanleyworks.ae
<b>Australia &amp; New Zealand</b>	Stanley Black & Decker 810 Whitehorse Road Box Hill VIC 3128, Australia	Tel. 1800 338 002 (Aus) Tel. 0800 339 258 (NZ) www.stanleytools.com.au