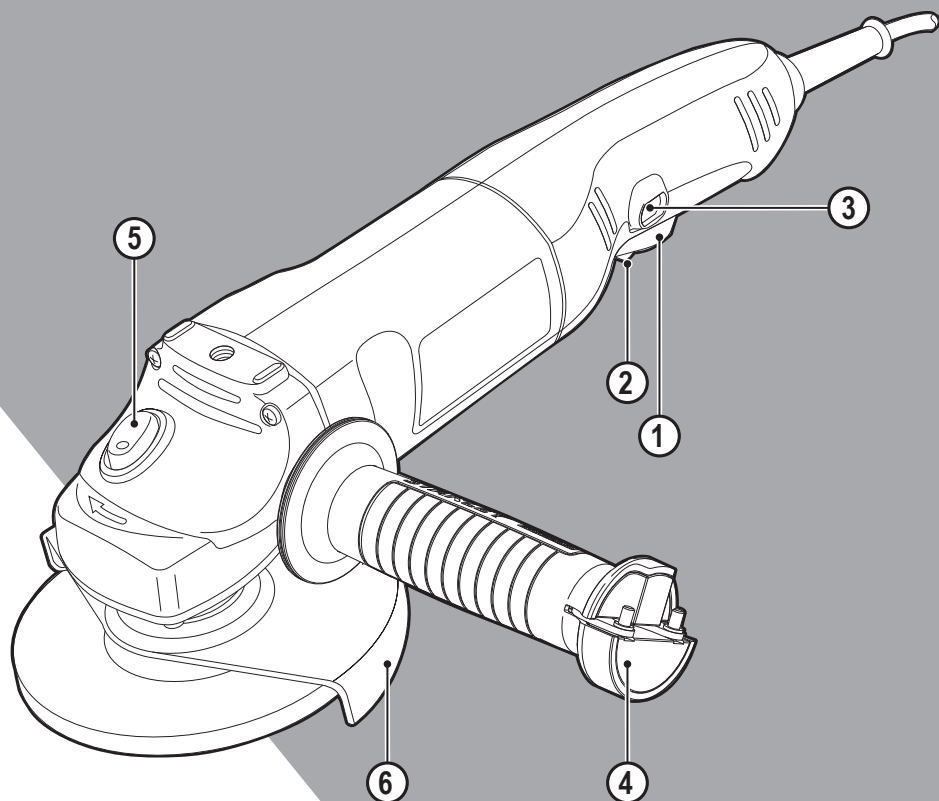


STANLEY®

FATMAX®



www.stanley.eu

FMEG222

EN

DE

FR

IT

NL

ES

PT

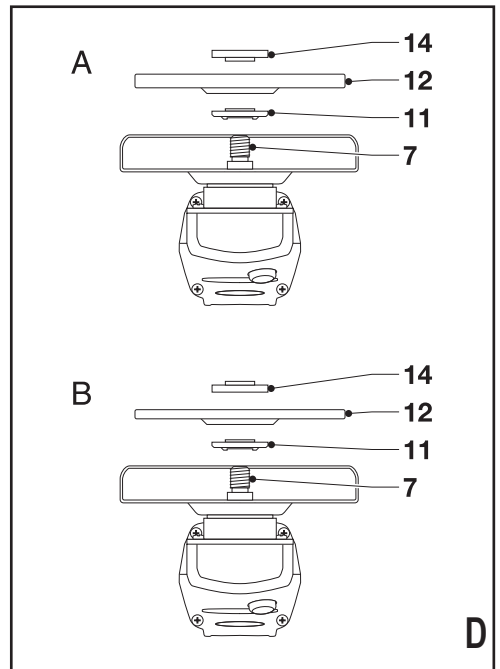
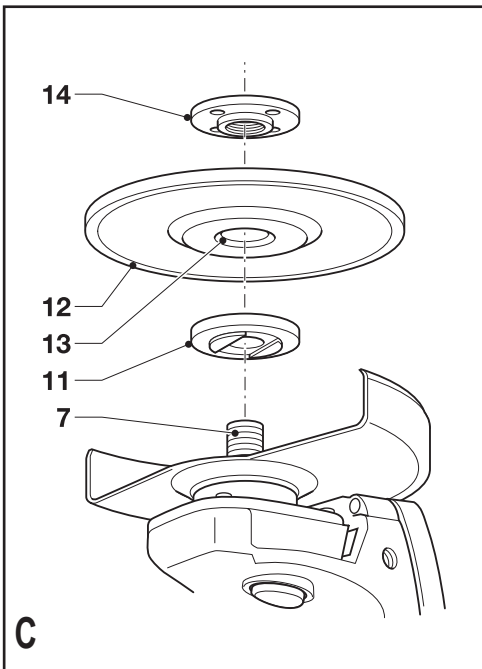
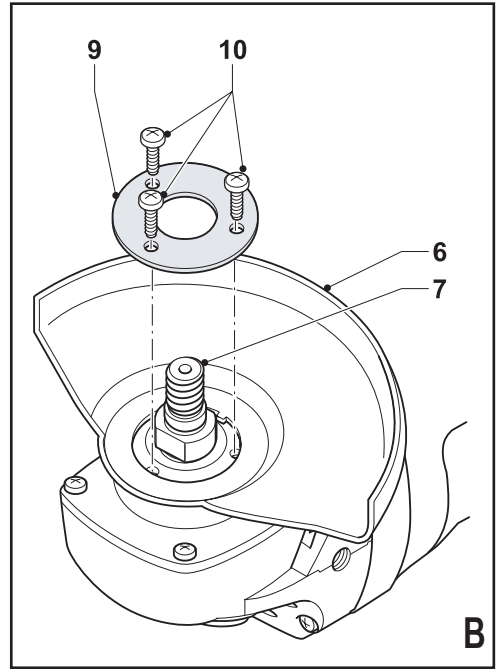
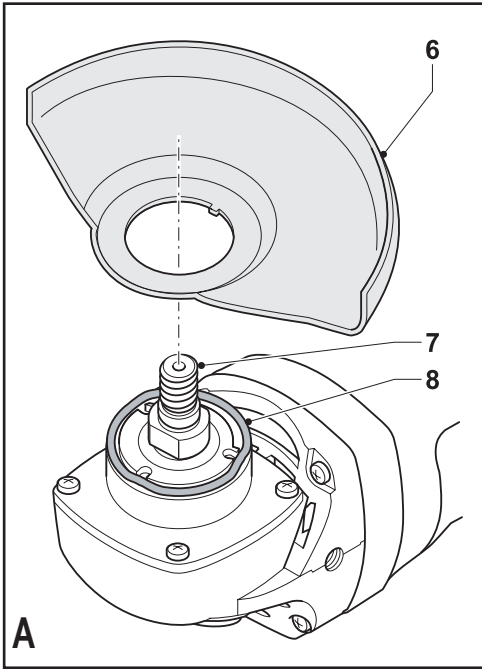
SV

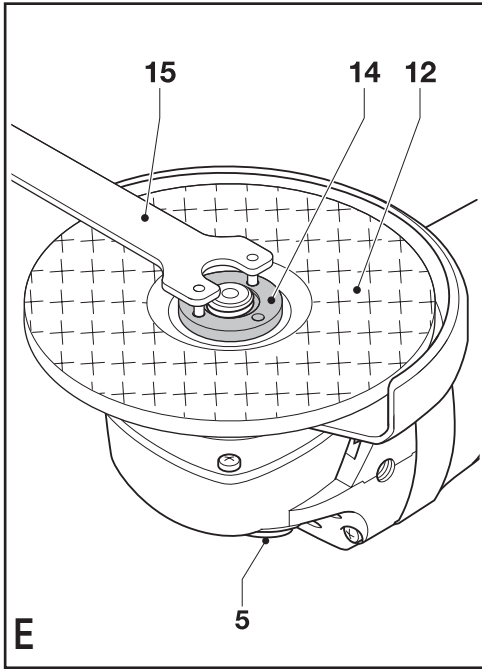
NO

DK

FI

EL





Intended use

Your Stanley Fat Max FMEG222 angle grinder has been designed for grinding and cutting metal and masonry using the appropriate type of cutting or grinding disc. When fitted with the appropriate guard, this tool is intended for professional and private, non professional users.

Safety instructions

General power tool safety warnings



Warning! Read all safety warnings and all instructions. Failure to follow the warnings and instructions listed below may result in electric shock, fire and/or serious injury.

Save all warnings and instructions for future reference.

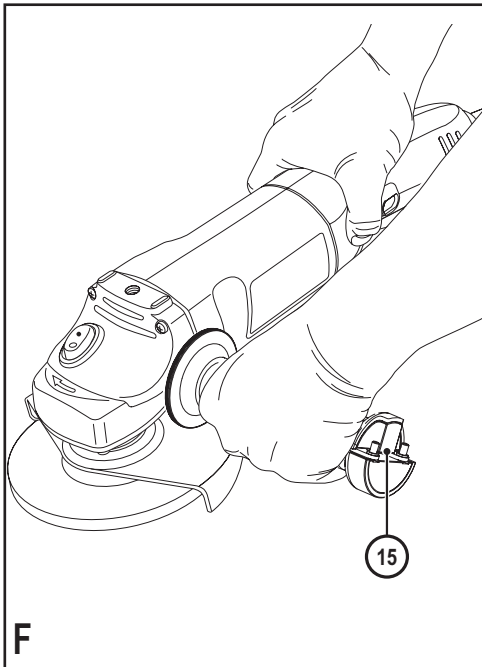
The term "power tool" in all of the warnings listed below refers to your mains operated (corded) power tool or battery operated (cordless) power tool.

1. Work area safety

- a. **Keep work area clean and well lit.** Cluttered or dark areas invite accidents.
- b. **Do not operate power tools in explosive atmospheres, such as in the presence of flammable liquids, gases or dust.** Power tools create sparks which may ignite the dust or fumes.
- c. **Keep children and bystanders away while operating a power tool.** Distractions can cause you to lose control.

2. Electrical safety

- a. **Power tool plugs must match the outlet. Never modify the plug in any way. Do not use any adapter plugs with earthed (grounded) power tools.** Unmodified plugs and matching outlets will reduce risk of electric shock.
- b. **Avoid body contact with earthed or grounded surfaces such as pipes, radiators, ranges and refrigerators.** There is an increased risk of electric shock if your body is earthed or grounded.
- c. **Do not expose power tools to rain or wet conditions.** Water entering a power tool will increase the risk of electric shock.
- d. **Do not abuse the cord. Never use the cord for carrying, pulling or unplugging the power tool. Keep cord away from heat, oil, sharp edges or moving parts.** Damaged or entangled cords increase the risk of electric shock.
- e. **When operating a power tool outdoors, use an extension cord suitable for outdoor use.** Use of a cord suitable for outdoor use reduces the risk of electric shock.
- f. **If operating a power tool in a damp location is unavoidable, use a residual current device (RCD)**



protected supply. Use of an RCD reduces the risk of electric shock.

3. Personal safety

- a. **Stay alert, watch what you are doing and use common sense when operating a power tool. Do not use a power tool while you are tired or under the influence of drugs, alcohol or medication.** A moment of inattention while operating power tools may result in serious personal injury.
- b. **Use personal protective equipment. Always wear eye protection.** Protective equipment such as dust mask, non-skid safety shoes, hard hat, or hearing protection used for appropriate conditions will reduce personal injuries.
- c. **Prevent unintentional starting. Ensure the switch is in the off-position before connecting to power source and/or battery pack, picking up or carrying the tool.** Carrying power tools with your finger on the switch or energising power tools that have the switch on invites accidents.
- d. **Remove any adjusting key or wrench before turning the power tool on.** A wrench or a key left attached to a rotating part of the power tool may result in personal injury.
- e. **Do not overreach. Keep proper footing and balance at all times.** This enables better control of the power tool in unexpected situations.
- f. **Dress properly. Do not wear loose clothing or jewellery. Keep your hair, clothing and gloves away from moving parts.** Loose clothes, jewellery or long hair can be caught in moving parts.
- g. **If devices are provided for the connection of dust extraction and collection facilities, ensure these are connected and properly used.** Use of dust collection can reduce dust-related hazards.

4. Power tool use and care

- a. **Do not force the power tool. Use the correct power tool for your application.** The correct power tool will do the job better and safer at the rate for which it was designed.
- b. **Do not use the power tool if the switch does not turn it on and off.** Any power tool that cannot be controlled with the switch is dangerous and must be repaired.
- c. **Disconnect the plug from the power source and/or the battery pack from the power tool before making any adjustments, changing accessories, or storing power tools.** Such preventive safety measures reduce the risk of starting the power tool accidentally.
- d. **Store idle power tools out of the reach of children and do not allow persons unfamiliar with the power tool or these instructions to operate the power tool.** Power tools are dangerous in the hands of untrained users.
- e. **Maintain power tools. Check for misalignment or binding of moving parts, breakage of parts and any other condition that may affect the power tools**

operation. If damaged, have the power tool repaired before use. Many accidents are caused by poorly maintained power tools.

- f. **Keep cutting tools sharp and clean.** Properly maintained cutting tools with sharp cutting edges are less likely to bind and are easier to control.
 - g. **Use the power tool, accessories and tool bits etc. in accordance with these instructions, taking into account the working conditions and the work to be performed.** Use of the power tool for operations different from those intended could result in a hazardous situation.
- ### 5. Service
- a. **Have your power tool serviced by a qualified repair person using only identical replacement parts.** This will ensure that the safety of the power tool is maintained.

Additional power tool safety warnings



Warning! Additional safety warnings for grinding or abrasive cutting-off operations

- ◆ **This power tool is intended to function as a grinder or cut-off tool. Read all safety warnings, instructions, illustrations and specifications provided with this power tool.** Failure to follow all instructions listed below may result in electric shock, fire and/or serious injury.
- ◆ **Operations such as sanding, wire burshing and polishing are not recommended to be performed with this power tool.** Operations for which the power tool was not designed may create a hazard and cause personal injury.
- ◆ **Do not use accessories which are not specifically designed and recommended by the tool manufacturer.** Just because the accessory can be attached to your power tool, it does not assure safe operation.
- ◆ **The rated speed of the accessory must be at least equal to the maximum speed marked on the power tool.** Accessories running faster than their rated speed can break and fly apart.
- ◆ **The outside diameter and the thickness of your accessory must be within the capacity rating of your power tool.** Incorrectly sized accessories cannot be adequately guarded or controlled.
- ◆ **Threaded mounting of accessories must match the grinder spindle thread. For accessories mounted by flanges, the arbour hole of the accessory must fit the locating diameter of the flange.** Accessories that do not match the mounting hardware of the power tool will run out of balance, vibrate excessively and may cause loss of control.
- ◆ **Do not use a damaged accessory. Before each use inspect the accessory such as abrasive wheels for**

chips and cracks, backing pad for cracks, tear or excess wear.

- ◆ **If power tool or accessory is dropped, inspect for damage or install an undamaged accessory.** After inspecting and installing an accessory and run the power tool at maximum no-load speed for one minute. Damaged accessories will normally break apart during this test time.
- ◆ **Wear personal protective equipment. Depending on application, use face shield, safety goggles or safety glasses. As appropriate, wear dust mask, hearing protectors, gloves and workshop apron capable of stopping small abrasive or workpiece fragments.** The eye protection must be capable of stopping flying debris generated by various operations. The dust mask or respirator must be capable of filtering particles generated by your operation. Prolonged exposure to high intensity noise may cause hearing loss.
- ◆ **Keep bystanders a safe distance away from work area. Anyone entering the work area must wear personal protective equipment.** Fragments of workpiece or of a broken accessory may fly away and cause injury beyond immediate area of operation.
- ◆ **Hold power tool by insulated gripping surfaces only, when performing an operation where the cutting accessory may contact hidden wiring or its own cord.** Cutting accessory contacting a "live" wire may make exposed metal parts of the power tool "live" and could give the operator an electric shock.
- ◆ **Position the cord clear of the spinning accessory.** If you lose control, the cord may be cut or snagged and your hand or arm may be pulled into the spinning accessory.
- ◆ **Never lay the power tool down until the accessory has come to a complete stop.** The spinning accessory may grab the surface and pull the power tool out of your control.
- ◆ **Do not run the power tool while carrying it at your side.** Accidental contact with the spinning accessory could snag your clothing, pulling the accessory into your body.
- ◆ **Regularly clean the power tool's air vents.** The motor's fan will draw the dust inside the housing and excessive accumulation of powdered metal may cause electrical hazards.
- ◆ **Do not operate the power tool near flammable materials.** Sparks could ignite these materials.
- ◆ **Do not use accessories that require liquid coolants.** Using water or other liquid coolants may result in electrocution or shock.

Note: The above warning does not apply for power tools specifically designed for use with a liquid system.

Kickback and related warnings

Kickback is a sudden reaction to a pinched or snagged rotating wheel, backing pad, brush or any other accessory.

Pinching or snagging causes rapid stalling of the rotating accessory which in turn causes the uncontrolled power tool to be forced in the direction opposite of the accessory's rotation at the point of the binding.

For example, if an abrasive wheel is snagged or pinched by the workpiece, the edge of the wheel that is entering into the pinch point can dig into the surface of the material causing the wheel to climb out or kick out. The wheel may either jump toward or away from the operator, depending on direction of the wheel's movement at the point of pinching.

Abrasive wheels may also break under these conditions.

Kickback is the result of power tool misuse and/or incorrect operating procedures or conditions and can be avoided by taking proper precautions as given below.

- ◆ **Maintain a firm grip on the power tool and position your body and arm to allow you to resist kickback forces. Always use auxiliary handle, if provided, for maximum control over kickback or torque reaction during start-up.** The operator can control torque reactions or kickback forces, if proper precautions are taken.
- ◆ **Never place your hand near the rotating accessory.** Accessory may kickback over your hand.
- ◆ **Do not position your body in the area where power tool will move if kickback occurs.** Kickback will propel the tool in direction opposite to the wheel's movement at the point of snagging.
- ◆ **Use special care when working corners, sharp edges etc. Avoid bouncing and snagging the accessory.** Corners, sharp edges or bouncing have a tendency to snag the rotating accessory and cause loss of control or kickback.
- ◆ **Do not attach a saw chain woodcarving blade or toothed saw blade.** Such blades create frequent kickback and loss of control.

Safety warnings specific for grinding and abrasive cutting-off operations

- ◆ **Use only wheel types that are recommended for your power tool and the specific guard designed for the selected wheel.** Wheels for which the power tool was not designed cannot be adequately guarded and are unsafe.
- ◆ **The grinding surface of centre depressed wheels must be mounted below the plane of the guard lip.** An improperly mounted wheel that projects through the plane of the guard lip cannot be adequately protected.
- ◆ **The guard must be securely attached to the power tool and positioned for maximum safety, so the least amount of wheel is exposed towards the operator.** The guard helps to protect operator from broken wheel fragments, accidental contact with wheel and sparks that could ignite clothing.

- ◆ **Wheels must be used only for recommended applications. For example: do not grind with the side of cut-off wheel.** Abrasive cut-off wheels are intended for peripheral grinding, side forces applied to these wheels may cause them to shatter.
- ◆ **Always use undamaged wheel flanges that are of correct size and shape for your selected wheel.** Proper wheel flanges support the wheel thus reducing the possibility of wheel breakage. Flanges for cut-off wheels may be different from grinding wheel flanges.
- ◆ **Do not use worn down wheels from larger power tools.** Wheel intended for larger power tool is not suitable for the higher speed of a smaller tool and may burst.

Additional safety warnings specific for abrasive cutting-off operations

- ◆ **Do not "jam" the cut-off wheel or apply excessive pressure. Do not attempt to make an excessive depth of cut.** Over stressing the wheel increases the loading and susceptibility to twisting or binding of the wheel in the cut and the possibility of kickback or wheel breakage.
- ◆ **Do not position your body in line with and behind the rotating wheel.** When the wheel, at the point of operation, is moving away from your body, the possible kickback may propel the spinning wheel and the power tool directly at you.
- ◆ **When wheel is binding or when interrupting a cut for any reason, switch off the power tool and hold the power tool motionless until the wheel comes to a complete stop. Never attempt to remove the cut-off wheel from the cut while the wheel is in motion otherwise kickback may occur.** Investigate and take corrective action to eliminate the cause of wheel binding.
- ◆ **Do not restart the cutting operation in the workpiece. Let the wheel reach full speed and carefully re-enter the cut.** The wheel may bind, walk up or kickback if the power tool is restarted in the workpiece.
- ◆ **Support panels or any oversized workpiece to minimize the risk of wheel pinching and kickback.** Large workpieces tend to sag under their own weight. Supports must be placed under the workpiece near the line of cut and near the edge of the workpiece on both sides of the wheel.
- ◆ **Use extra caution when making a "pocket cut" into existing walls or other blind areas.** The protruding wheel may cut gas or water pipes, electrical wiring or objects that can cause kickback.

Safety of others

- ◆ This tool can be used by children aged from 8 years and above and persons with reduced physical, sensory or mental capabilities or lack of experience and knowledge if they have been given supervision or instruction

concerning use of the appliance in a safe way and understand the hazards involved.

- ◆ Children shall not play with the appliance. Cleaning and user maintenance shall not be made by children without supervision.

Residual risks

Additional residual risks may arise when using the tool which may not be included in the enclosed safety warnings. These risks can arise from misuse, prolonged use etc.

Even with the application of the relevant safety regulations and the implementation of safety devices, certain residual risks can not be avoided. These include:

- ◆ Injuries caused by touching any rotating/moving parts.
- ◆ Injuries caused when changing any parts, blades or accessories.
- ◆ Injuries caused by prolonged use of a tool. When using any tool for prolonged periods ensure you take regular breaks.
- ◆ Impairment of hearing.
- ◆ Health hazards caused by breathing dust developed when using your tool (example:- working with wood, especially oak, beech and MDF.)

Vibration

The declared vibration emission values stated in the technical data and the declaration of conformity have been measured in accordance with a standard test method provided by EN 60745 and may be used for comparing one tool with another. The declared vibration emission value may also be used in a preliminary assessment of exposure.

Warning! The vibration emission value during actual use of the power tool can differ from the declared value depending on the ways in which the tool is used. The vibration level may increase above the level stated.

When assessing vibration exposure to determine safety measures required by 2002/44/EC to protect persons regularly using power tools in employment, an estimation of vibration exposure should consider, the actual conditions of use and the way the tool is used, including taking account of all parts of the operating cycle such as the times when the tool is switched off and when it is running idle in addition to the trigger time.

Voltage drops

Inrush currents cause short-time voltage drops.

Under unfavourable power supply conditions, other equipment may be affected.

If the system impedance of the power supply is lower than 0.424 Ω , disturbances are unlikely to occur.

Labels on tool

The following pictograms along with the date code are shown on the tool:



Warning! To reduce the risk of injury, the user must read the instruction manual.



Wear safety glasses or goggles when operating this tool.



Wear ear protection when operating this tool.

Electrical safety



This tool is double insulated; therefore no earth wire is required. Always check that the power supply corresponds to the voltage on the rating plate.

- ◆ If the supply cord is damaged, it must be replaced by the manufacturer or an authorised Stanley Fat Max Service Centre in order to avoid a hazard.

Features

This tool includes some or all of the following features.

1. On/off switch
2. Lock-off button
3. Lock-on button
4. Side handle
5. Spindle lock
6. Guard

Assembly

Warning! Before assembly, make sure that the tool is switched off and unplugged.

Fitting and removing the guard (fig. A & B)

The tool is supplied with a guard intended for grinding purposes only. If the unit is intended to perform cutting off operations, a guard specific for this operation must be fitted. A suitable guard for cutting off operations part number 1004484-01 is available and can be obtained from Stanley Fat Max service centres.

Fitting

- ◆ Place the tool on a table, with the spindle (7) facing up.
- ◆ Place the spring washer (8) over the spindle and locate it on the shoulder.
- ◆ Place the guard (6) onto the tool as shown.
- ◆ Place the flange (9) over the spindle with the protruding pins towards the guard. Make sure that the holes in the flange align with the screw holes.
- ◆ Secure the flange with the screws (10). Make sure that the screws are fully tight and that the guard can be rotated.

Removing

- ◆ Use a screwdriver to remove the screws (10).
- ◆ Remove the flange (9), guard (6) and spring washer (8). Store these parts carefully.

Warning! Never use the tool without the guard.

Adjusting the guard

The guard can be rotated 90°.

- ◆ Rotate the guard as required.

Fitting the side handle

- ◆ Screw the side handle (4) into one of the mounting holes in the tool.

Warning! Always use the side handle.

Fitting and removing grinding or cutting discs (fig. C - E)

Always use the correct type of disc for your application. Always use discs with the correct diameter and bore size (see technical data).

Fitting

- ◆ Fit the guard as described above.
- ◆ Place the inner flange (11) onto the spindle (7) as shown (fig. C). Make sure that the flange is correctly located on the flat sides of the spindle.
- ◆ Place the disc (12) onto the spindle (7) as shown (fig. C). If the disc has a raised centre (13), make sure that the raised centre faces the inner flange.
- ◆ Make sure that the disc locates correctly on the inner flange.
- ◆ Place the outer flange (14) onto the spindle. When fitting a grinding disc, the raised centre on the outer flange must face towards the disc (A in fig. D). When fitting a cutting disc, the raised centre on the outer flange must face away from the disc (B in fig. D).
- ◆ Keep the spindle lock (5) depressed and tighten the outer flange using the two-pin spanner (15) (fig. E).

Removing

- ◆ Keep the spindle lock (5) depressed and loosen the outer flange (14) using the two-pin spanner (15) (fig. E).
- ◆ Remove the outer flange (14) and the disc (12).

Use

Warning! Let the tool work at its own pace. Do not overload.

- ◆ Carefully guide the cable in order to avoid accidentally cutting it.
- ◆ Be prepared for a stream of sparks when the grinding or cutting disc touches the workpiece.
- ◆ Always position the tool in such a way that the guard provides optimum protection from the grinding or cutting disc.

Switching on and off

- ◆ To switch the tool on, press the lock-off button (2) and subsequently press the on/off switch (1).
- ◆ For continuous operation, press the lock-on button (3) and release the on/off switch.
- ◆ To switch the tool off, release the on/off switch. To switch the tool off in continuous operation, press the on/off switch once more and release it.

Warning! Do not switch the tool off while under load.

Soft Start Feature

The soft start feature allows a slow speed build-up to avoid an initial jerk when starting. This feature is particularly useful when working in confined spaces.

No-Volt

The No-volt function stops the grinder restarting without the switch being cycled if there is a break in the power supply.

Hints for optimum use

- ◆ Firmly hold the tool with one hand around the side handle and the other hand around the main handle (fig. F).
- ◆ When grinding, always maintain an angle of approx. 15° between the disc and the workpiece surface.

Maintenance

Your Stanley Fat Max corded/cordless appliance/tool has been designed to operate over a long period of time with a minimum of maintenance. Continuous satisfactory operation depends upon proper tool care and regular cleaning.

Warning! Before performing any maintenance on corded/cordless power tools:

- ◆ Switch off and unplug the appliance/tool.
- ◆ Or switch off and remove the battery from the appliance/tool if the appliance/tool has a separate battery pack,
- ◆ Or run the battery down completely if it is integral and then switch off.
- ◆ Unplug the charger before cleaning it. Your charger does not require any maintenance apart from regular cleaning.
- ◆ Regularly clean the ventilation slots in you appliance/tool/charger using a soft brush or dry cloth.
- ◆ Regularly clean the motor housing using a damp cloth. Do not use any abrasive or solvent-based cleaner.
- ◆ Regularly open the chuck and tap it to remove any dust from the interior (when fitted).

Mains plug replacement (U.K. & Ireland only)

If a new mains plug needs to be fitted:

- ◆ Safely dispose of the old plug.
- ◆ Connect the brown lead to the live terminal in the new plug.
- ◆ Connect the blue lead to the neutral terminal.

Warning! No connection is to be made to the earth terminal. Follow the fitting instructions supplied with good quality plugs. Recommended fuse: 13 A.

Protecting the environment



Separate collection. Products and batteries marked with this symbol must not be disposed of with normal household waste.

Products and batteries contain materials that can be recovered or recycled reducing the demand for raw materials. Please recycle electrical products and batteries according to local provisions.

Technical data

FMEG222 Type 1		
Input voltage	V _{AC}	230
Power input	W	1,200
Rated speed	min-1	11,000
Disc diameter	mm	125
Disc bore	mm	22
Max disc thickness		
grinding discs	mm	6
cutting discs	mm	3.5
Spindle size		M14
Weight	kg	2.7

Level of sound pressure according to EN 60745:

L_{PA} (sound pressure) 91.0 dB(A), Uncertainty (K) 3 dB(A)

L_{WA} (sound power) 102.0 dB(A), Uncertainty (K) 3 dB(A)

Vibration total values (triaux vector sum) according to EN60745:

Surface grinding (a_{v,ISO}) 8.2 m/s², uncertainty (K) 1.5 m/s²

EC declaration of conformity

MACHINERY DIRECTIVE



FMEG222 Angle Grinder

Stanley Fat Max declares that these products described under "technical data" are in compliance with:
EN60745-1:2009 +A11:2010; EN60745-2-3:2011+A2:2012
+A11:2014+A12:2014+A13:2015

These products also comply with Directive
2006/42/EC, 2014/30/EU 2011/65/EU.

For more information, please contact Stanley Fat Max at the following address or refer to the back of the manual.

The undersigned is responsible for compilation of the technical file and makes this declaration on behalf of Stanley Fat Max.



A. Smith
Technical Director
Stanley Fat Max Europe, 210 Bath Road, Slough,
Berkshire, SL1 3YD, United Kingdom
15/01/2019

Garantie

Stanley Fat Max is confident of the quality of its products and offers consumers a 12 month guarantee from the date of purchase. This guarantee is in addition to and in no way prejudices your statutory rights. The guarantee is valid within the territories of the Member States of the European Union and the European Free Trade Area.

To claim on the guarantee, the claim must be in accordance with Stanley Fat Max Terms and Conditions and you will need to submit proof of purchase to the seller or an authorised repair agent. Terms and conditions of the Stanley Fat Max 1 year guarantee and the location of your nearest authorised repair agent can be obtained on the Internet at www.2helpU.com, or by contacting your local Stanley Fat Max office at the address indicated in this manual.

Please visit our website www.stanley.eu/3 to register your new Stanley Fat Max product and receive updates on new products and special offers products and special offers.

Verwendungszweck

Ihr Stanley Fat Max FMEG222 wurde zum Schleifen und Schneiden von Metall und Mauerwerk mit dem entsprechenden Typ von Schneid- oder Schleifscheibe entwickelt. Wenn mit dem entsprechenden Schutz versehen, ist Gerät ist zum gewerblichen und privaten Einsatz vorgesehen.

Sicherheitshinweise

Allgemeine Sicherheitswarnhinweise für Elektrowerkzeuge



Warnung! Lesen Sie alle Sicherheitswarnhinweise und alle Anweisungen.

Das Nichtbeachten der unten aufgeführten Warnhinweise und Anweisungen kann zu elektrischem Schlag, Brand und/oder schweren Verletzungen führen.

Bewahren Sie alle Warnhinweise und alle Anweisungen auf. Der Begriff „Elektrowerkzeug“ in den Warnhinweisen bezieht sich auf Ihr netzbetriebenes Elektrowerkzeug (mit Kabel) oder auf Ihr akkubetriebenes (kabelloses) Elektrowerkzeug.

1. Sicherheit im Arbeitsbereich

- a. **Halten Sie den Arbeitsbereich sauber und gut ausgeleuchtet.** Unaufgeräumte oder dunkle Bereiche begünstigen Unfälle.
- b. **Betreiben Sie das Elektrowerkzeug nicht in explosionsgefährdeten Umgebungen, in denen sich z. B. brennbare Flüssigkeiten, Gase oder Staub befinden.** Elektrowerkzeuge erzeugen Funken, die den Staub oder die Dämpfe entzünden können.
- c. **Halten Sie Kinder und Zuschauer fern, während Sie ein Elektrogerät betreiben.** Ablenkung kann dazu führen, dass Sie die Kontrolle über das Gerät verlieren.

2. Elektrische Sicherheit

- a. **Der Stecker des Elektrogerätes muss in die Steckdose passen. Ändern Sie niemals den Stecker in irgendeiner Form. Verwenden Sie keinerlei Adapterstecker an geerdeten Elektrogeräten.** Unveränderte Stecker und passende Steckdosen mindern die Gefahr eines elektrischen Schlages.
- b. **Vermeiden Sie Körperkontakt mit geerdeten Flächen, wie Rohre, Radiatoren, Herde und Kühlgeräte.** Es besteht eine erhöhte Gefahr für einen elektrischen Schlag, wenn Ihr Körper geerdet ist.
- c. **Setzen Sie Elektrogeräte keinem Regen oder feuchter Umgebung aus.** Wenn Wasser in das Elektrogerät

eindringt, erhöht sich die Gefahr eines elektrischen Schlages.

- d. **Behandeln Sie das Kabel sorgfältig. Verwenden Sie niemals das Kabel, um das Elektrogerät zu tragen oder durch Ziehen vom Netz zu trennen. Halten Sie das Kabel fern von Hitze, Öl, scharfen Kanten oder beweglichen Teilen.** Beschädigte oder verhedderte Kabel erhöhen die Gefahr eines elektrischen Schlages.
- e. **Wenn Sie ein Elektrogerät im Freien betreiben, verwenden Sie ein für den Außeneinsatz geeignetes Verlängerungskabel.** Die Verwendung von für den Außeneinsatz geeigneten Kabeln mindert die Gefahr eines elektrischen Schlages.
- f. **Wenn der Betrieb eines Elektrogerätes in feuchter Umgebung unumgänglich ist, verwenden Sie eine durch einen Fehlerstromschutzschalter (FI-Schalter oder RCD) geschützte Stromversorgung.** Der Einsatz eines Fehlerstromschutzschalters mindert die Gefahr eines elektrischen Schlages.

3. Persönliche Sicherheit

- a. **Seien Sie aufmerksam, achten Sie darauf, was Sie tun, und gehen Sie mit Vernunft an die Arbeit mit einem Elektrowerkzeug. Benutzen Sie kein Elektrowerkzeug, wenn Sie müde sind oder unter dem Einfluss von Drogen, Alkohol oder Medikamenten stehen.** Ein Moment der Unachtsamkeit beim Betrieb eines Elektrogeräts kann zu schweren Verletzungen führen.
- b. **Tragen Sie persönliche Schutzausrüstung. Tragen Sie immer einen Augenschutz.** Das Tragen persönlicher Schutzausrüstung, wie Staubmaske, rutschfeste Sicherheitsschuhe, Schutzhelm oder Gehörschutz, je nach Art und Einsatz des Elektrowerkzeuges, verringert das Risiko von Verletzungen.
- c. **Vermeiden Sie unbeabsichtigtes Starten. Vergewissern Sie sich, dass der Schalter in der AUS-Position ist, bevor Sie das Gerät an die Stromversorgung und/oder an den Akku anschließen oder wenn Sie das Gerät aufnehmen oder tragen.** Wenn Sie beim Tragen des Elektrowerkzeuges den Finger am Schalter haben oder das Gerät eingeschaltet an die Stromversorgung anschließen, kann dies zu Unfällen führen.
- d. **Entfernen Sie alle Einstellschlüssel oder Werkzeuge, bevor Sie das Elektrogerät einschalten.** Werkzeuge oder Schlüssel, die an rotierenden Teilen des Elektrogerätes angebracht sind, können zu Verletzungen führen.
- e. **Vermeiden Sie eine anormale Körperhaltung. Sorgen Sie für einen sicheren Stand und halten Sie jederzeit das Gleichgewicht.** Dadurch können Sie das Elektrowerkzeug in unerwarteten Situationen besser kontrollieren.

- f. **Tragen Sie geeignete Kleidung. Tragen Sie keine weite Kleidung und keinen Schmuck. Halten Sie Ihre Haare, Kleidung und Handschuhe von beweglichen Teilen fern.** Lose sitzende Kleidung, Schmuck oder lange Haare können sich in den beweglichen Teilen verfangen.
- g. **Wenn Geräte für den Anschluss an eine Staubabsaugung und Staubsammlung vorgesehen sind, vergewissern Sie sich, dass diese richtig angeschlossen sind und verwendet werden.** Der Einsatz von Staubsammlern kann staubbedingte Gefahren mindern.

4. Gebrauch und Pflege von Elektrowerkzeugen

- a. **Überlasten Sie das Elektrogerät nicht. Verwenden Sie das für Ihre Arbeit passende Elektrogerät.** Das richtige Gerät wird die Aufgabe besser und sicherer erledigen, wenn es bestimmungsgemäß verwendet wird.
- b. **Benutzen Sie kein Elektrowerkzeug, dessen Schalter defekt ist.** Ein Elektrowerkzeug, das sich nicht mehr ein- oder ausschalten lässt, ist gefährlich und muss repariert werden.
- c. **Trennen Sie den Stecker vom Netz und/oder die Akkus vom Elektrogerät, bevor Sie Einstellungen am Gerät vornehmen, Zubehör wechseln oder es aufbewahren.** Diese Vorbeugemaßnahmen mindern die Gefahr, dass das Elektrogerät unbeabsichtigt startet. Diese Vorbeugemaßnahmen mindern die Gefahr, dass das Elektrogerät unbeabsichtigt startet.
- d. **Bewahren Sie nicht verwendete Elektrogeräte für Kinder unerreichbar auf und lassen Sie nicht zu, dass Personen ohne Erfahrung mit dem Elektrogerät oder mit diesen Anweisungen das Elektrogerät bedienen.** Elektrogeräte sind in den Händen nicht geschulter Personen gefährlich.
- e. **Warten Sie die Elektrogeräte. Prüfen Sie, ob bewegliche Teile verzogen oder ausgeschlagen, ob Teile gebrochen oder in einem Zustand sind, der den Betrieb des Elektrogerätes beeinträchtigen kann. Bei Beschädigungen lassen Sie das Elektrogerät reparieren, bevor Sie es verwenden.** Viele Unfälle entstehen wegen mangelnder Wartung der Elektrogeräte.
- f. **Halten Sie Schneidwerkzeuge scharf und sauber.** Richtig gewartete Schneidwerkzeuge mit scharfen Klingen blockieren seltener und sind leichter unter Kontrolle zu halten.
- g. **Verwenden Sie Elektrogeräte, Zubehör und Einsätze (Bits) usw. gemäß diesen Anweisungen und unter Berücksichtigung der Arbeitsbedingungen und der Aufgabe.** Wenn Sie das Elektrogerät für Aufgaben verwenden, die nicht bestimmungsgemäß sind, kann dies zu gefährlichen Situationen führen.

5. Service

- a. Lassen Sie Ihr Elektrowerkzeug nur von qualifiziertem Fachpersonal und nur mit Original- Ersatzteilen reparieren. Damit wird sichergestellt, dass die Sicherheit des Gerätes erhalten bleibt.

Allgemeine Sicherheitswarnhinweise für Elektrowerkzeuge



Warnung! Zusätzliche Sicherheitswarnungen zum Schmirgeln oder für grobe Trennschleifaktivitäten

- ◆ **Dieses Elektrowerkzeug ist zu verwenden als Schleifer oder Trennschleifmaschine. Beachten Sie alle Sicherheitshinweise, Anweisungen, Darstellungen und Daten, die Sie mit dem Gerät erhalten.** Wenn Sie die folgenden Anweisungen nicht beachten, kann es zu elektrischem Schlag, Feuer und/oder schweren Verletzungen kommen.
- ◆ **Dieses Elektrowerkzeug ist nicht zum Sandschleifen, Drahtbürsten und Polieren geeignet.** Verwendungen, für die das Elektrowerkzeug nicht vorgesehen ist, können Gefährdungen und Verletzungen verursachen.
- ◆ **Verwenden Sie kein Zubehör, das vom Hersteller nicht speziell für dieses Elektrowerkzeug vorgesehen und empfohlen wurde.** Nur weil Sie das Zubehör an Ihrem Elektrowerkzeug befestigen können, garantiert dies keine sichere Verwendung.
- ◆ **Die zulässige Drehzahl des Einsatzwerkzeugs muss mindestens so hoch sein wie die auf dem Elektrowerkzeug angegebene Höchstzahl.** Zubehör, das sich schneller als zulässig dreht, kann zerbrechen und umherfliegen.
- ◆ **Außendurchmesser und Dicke des Einsatzwerkzeugs müssen den Maßangaben Ihres Elektrowerkzeugs entsprechen.** Falsch bemessene Einsatzwerkzeuge können nicht ausreichend abgeschirmt oder kontrolliert werden.
- ◆ **Zubehör mit Gewindemontage muss mit dem Gewinde der Schleifspindel übereinstimmen.** Bei Zubehör mit Flanschbefestigung muss das Aufnahmeloch des Zubehörs mit dem Flanschdurchmesser übereinstimmen. Zubehör, das nicht genau auf die Schleifspindel des Elektrowerkzeugs passt, dreht sich ungleichmäßig, vibriert sehr stark und kann zum Verlust der Kontrolle führen.
- ◆ **Verwenden Sie keine beschädigten Einsatzwerkzeuge.** Kontrollieren Sie vor jeder Verwendung Einsatzwerkzeuge wie z. B. die Schleifscheibe auf Abspalterungen und Risse, den Stützteller auf Risse und Verschleiß oder starke Abnutzung.
- ◆ **Wenn das Elektrowerkzeug oder das Einsatzwerkzeug heruntergefallen ist, überprüfen Sie, ob es beschädigt**

ist, oder verwenden Sie ein unbeschädigtes Einsatzwerkzeug. Wenn Sie das Einsatzwerkzeug kontrolliert und eingesetzt haben, positionieren Sie sich und in der Nähe befindliche Personen außerhalb der Ebene des rotierenden Einsatzwerkzeugs und lassen Sie das Gerät eine Minute lang mit Höchstzahl laufen. Beschädigte Einsatzwerkzeuge brechen meist in dieser Testzeit.

- ◆ **Tragen Sie persönliche Schutzausrüstung. Verwenden Sie je nach Anwendung Vollgesichtsschutz, Augenschutz oder Schutzbrille. Soweit angemessen, tragen Sie Staubmaske, Gehörschutz, Schutzhandschuhe oder Spezialschürze, die kleine Schleif- und Materialpartikel von Ihnen fernhält.** Die Augen sollen vor herumfliegenden Fremdkörpern geschützt werden, die bei verschiedenen Anwendungen entstehen. Staub- oder Atemschutzmaske müssen den bei der Anwendung entstehenden Staub filtern. Wenn Sie lange lautem Lärm ausgesetzt sind, können Sie einen Hörverlust erleiden.
- ◆ **Achten Sie bei anderen Personen auf sicheren Abstand zu Ihrem Arbeitsbereich. Jeder, der den Arbeitsbereich betritt, muss persönliche Schutzausrüstung tragen.** Bruchstücke des Werkstücks oder gebrochener Einsatzwerkzeuge können wegfiegen und Verletzungen auch außerhalb des direkten Arbeitsbereichs verursachen.
- ◆ **Halten Sie das Elektrowerkzeug an den isolierten Griffflächen, wenn Arbeiten durchgeführt werden, bei denen das Schneidwerkzeug versteckte Leitungen oder die eigene Anschlussleitung berühren könnte.** Der Kontakt des Schneidwerkzeugs mit einer spannungsführenden Leitung kann auch metallene Geräteteile unter Spannung setzen und zu einem elektrischen Schlag führen.
- ◆ **Halten Sie das Netzkabel von sich drehenden Einsatzwerkzeugen fern.** Wenn Sie die Kontrolle über das Gerät verlieren, kann das Netzkabel durchtrennt oder erfasst werden und Ihre Hand oder Ihr Arm in das sich drehende Einsatzwerkzeug geraten.
- ◆ **Legen Sie das Elektrowerkzeug niemals ab, bevor das Einsatzwerkzeug völlig zum Stillstand gekommen ist.** Das sich drehende Einsatzwerkzeug kann in Kontakt mit der Ablagefläche geraten, wodurch Sie die Kontrolle über das Elektrowerkzeug verlieren können.
- ◆ **Lassen Sie das Elektrowerkzeug nicht laufen, während Sie es tragen.** Ihre Kleidung kann durch zufälligen Kontakt mit dem sich drehenden Einsatzwerkzeug erfasst werden, und das Einsatzwerkzeug sich in Ihren Körper bohren.
- ◆ **Reinigen Sie regelmäßig die Lüftungsschlitze Ihres Elektrowerkzeugs.** Das Motorgebläse zieht Staub in das

Gehäuse, und eine starke Ansammlung von Metallstaub kann elektrische Gefahren verursachen.

- ◆ **Verwenden Sie das Elektrowerkzeug nicht in der Nähe brennbarer Materialien.** Funken können diese Materialien entzünden.
- ◆ **Verwenden Sie keine Einsatzwerkzeuge, die flüssige Kühlmittel erfordern.** Die Verwendung von Wasser oder anderen flüssigen Kühlmitteln kann zu einem elektrischen Schlag führen.

Hinweis: Die vorstehende Warnung gilt nicht für Elektrowerkzeuge, die speziell für den Gebrauch mit einem Flüssigkeitssystem entwickelt wurden.

Rückschlag und verbundene Warnhinweise

Rückschlag ist die plötzliche Reaktion infolge eines hakenden oder blockierten drehenden Einsatzwerkzeugs, wie Schleifscheibe, Schleifteller, Drahtbürste usw. Verhaken oder Blockieren führt zu einem abrupten Stopp des rotierenden Einsatzwerkzeugs. Dadurch wird ein unkontrolliertes Elektrowerkzeug gegen die Drehrichtung des Einsatzwerkzeugs an der Blockierstelle beschleunigt.

Wenn z. B. eine Schleifscheibe im Werkstück hakt oder blockiert, kann sich die Kante der Schleifscheibe, die in das Werkstück eintaucht, verfangen und dadurch die Schleifscheibe ausbrechen oder einen Rückschlag verursachen. Die Schleifscheibe bewegt sich dann auf die Bedienperson zu oder von ihr weg, je nach Drehrichtung der Scheibe an der Blockierstelle.

Hierbei können Schleifscheiben auch brechen.

Ein Rückschlag ist die Folge eines falschen oder fehlerhaften Gebrauchs des Elektrowerkzeugs. Er kann durch geeignete Vorsichtsmaßnahmen, wie nachfolgend beschrieben, verhindert werden.

- ◆ **Halten Sie das Elektrowerkzeug gut fest und bringen Sie Ihren Körper und Ihre Arme in eine Position, in der Sie die Rückschlagkräfte abfangen können. Verwenden Sie immer den Zusatzgriff, falls vorhanden, um die größtmögliche Kontrolle über Rückschlagkräfte oder Reaktionsmomente beim Hochlauf zu haben.** Die Bedienperson kann durch geeignete Vorsichtsmaßnahmen die Rückschlag- und Reaktionskräfte beherrschen.
- ◆ **Bringen Sie Ihre Hand nie in die Nähe sich drehender Einsatzwerkzeuge.** Das Einsatzwerkzeug kann sich beim Rückschlag über Ihre Hand bewegen.
- ◆ **Meiden Sie mit Ihrem Körper den Bereich, in den das Elektrowerkzeug bei einem Rückschlag bewegt wird.** Der Rückschlag treibt das Elektrowerkzeug in die Richtung entgegengesetzt zur Bewegung der Schleifscheibe an der Blockierstelle.

- ◆ **Arbeiten Sie besonders vorsichtig im Bereich von Ecken, scharfen Kanten usw. Verhindern Sie, dass Einsatzwerkzeuge vom Werkstück zurückprallen und verklebten.** Das rotierende Einsatzwerkzeug neigt bei Ecken, scharfen Kanten oder wenn es abprallt, dazu, sich zu verklebten. Dies verursacht einen Kontrollverlust oder Rückschlag.
- ◆ **Verwenden Sie kein Ketten- oder gezähntes Sägeblatt.** Solche Einsatzwerkzeuge verursachen häufig einen Rückschlag oder den Verlust der Kontrolle über das Elektrowerkzeug.

Spezifische Sicherheitswarnhinweise für Schleif- und Trennarbeiten

- ◆ **Verwenden Sie ausschließlich die für Ihr Elektrowerkzeug zugelassenen Schleifkörper und die für diese Schleifkörper vorgesehene Schutzhaube.** Schleifkörper, die nicht für das Elektrowerkzeug vorgesehen sind, können nicht ausreichend abgeschirmt werden und sind unsicher.
- ◆ **Die Schleiffläche der mittleren heruntergedrückten Räder muss unter der Fläche der Schutzlippe montiert werden.** Ein falsch montiertes Rad, das durch die Fläche der Schutzlippe hervorsteht, wird nicht angemessen geschützt.
- ◆ **Die Schutzhaube muss sicher am Elektrowerkzeug angebracht und so eingestellt sein, dass ein Höchstmaß an Sicherheit erreicht wird, d. h. der kleinstmögliche Teil des Schleifkörpers zeigt offen zur Bedienperson.** Die Schutzvorrichtung soll die Bedienperson vor Bruchstücken und zufälligem Kontakt mit dem Schleifkörper sowie vor Funken schützen, durch die die Kleidung entzündet werden könnte.
- ◆ **Schleifkörper dürfen nur für die empfohlenen Einsatzmöglichkeiten verwendet werden. Zum Beispiel: Schleifen Sie nie mit der Seitenfläche einer Trennscheibe.** Trennscheiben sind zum Materialabtrag mit der Kante der Scheibe bestimmt. Seitliche Krafteinwirkung auf diese Schleifkörper kann sie zerbrechen.
- ◆ **Verwenden Sie immer unbeschädigte Spannflansche in der richtigen Größe und Form für die von Ihnen gewählte Schleifscheibe.** Geeignete Flansche stützen die Schleifscheibe und verringern so die Gefahr eines Schleifscheibenbruchs. Flansche für Trennscheiben können sich von den Flanschen für andere Schleifscheiben unterscheiden.
- ◆ **Verwenden Sie keine abgenutzten Schleifscheiben von größeren Elektrowerkzeugen.** Schleifscheiben für größere Elektrowerkzeuge sind nicht für die höheren Drehzahlen von kleineren Elektrowerkzeugen ausgelegt und können brechen.

Zusätzliche Sicherheitswarnhinweise für Trennschleifarbeiten

- ◆ **Vermeiden Sie ein Blockieren der Trennscheibe oder zu hohen Anpressdruck. Führen Sie keine übermäßig tiefen Schnitte aus.** Eine Überlastung der Trennscheibe erhöht deren Beanspruchung und die Anfälligkeit zum Verkanten oder Blockieren und damit die Möglichkeit eines Rückschlags oder Schleifkörperbruchs.
- ◆ **Meiden Sie den Bereich vor und hinter der rotierenden Trennscheibe.**
Wenn Sie die Trennscheibe im Werkstück von sich wegbewegen, kann im Falle eines Rückschlags das Elektrowerkzeug mit der sich drehenden Scheibe direkt auf Sie zugeschleudert werden.
- ◆ **Falls die Trennscheibe verklemmt oder Sie die Arbeit unterbrechen, schalten Sie das Gerät aus und halten Sie es ruhig, bis die Scheibe zum Stillstand gekommen ist. Versuchen Sie nie, die noch laufende Trennscheibe aus dem Schnitt zu ziehen, sonst kann ein Rückschlag erfolgen.** Ermitteln und beheben Sie die Ursache für das Verklemmen.
- ◆ **Beginnen Sie den Schneidvorgang im Werkstück nicht erneut. Lassen Sie die Trennscheibe erst ihre volle Drehzahl erreichen, bevor Sie den Schnitt vorsichtig fortsetzen.** Anderenfalls kann die Scheibe verhaken, aus dem Werkstück springen oder einen Rückschlag verursachen.
- ◆ **Stützen Sie Platten oder große Werkstücke ab, um das Risiko eines Rückschlags durch eine eingeklemmte Trennscheibe zu vermindern.** Große Werkstücke können sich unter ihrem eigenen Gewicht durchbiegen. Das Werkstück muss auf beiden Seiten der Scheibe abgestützt werden, und zwar sowohl in der Nähe des Trennschnitts als auch an der Kante.
- ◆ **Gehen Sie besonders vorsichtig vor, wenn ein "Einstechschnitt" in vorhandene Wände oder andere blinde Bereiche durchgeführt wird.** Die eintauchende Trennscheibe kann beim Schneiden in Gas- oder Wasserleitungen, elektrische Leitungen oder andere Objekte einen Rückschlag verursachen.

Sicherheit anderer Personen

- ◆ Dieses Gerät darf von Kindern ab 8 Jahren und Personen mit eingeschränkten körperlichen, sensorischen oder geistigen Fähigkeiten sowie mangelnder Erfahrung und Wissen in Bezug auf dessen Gebrauch bedient werden, wenn sie bei der Verwendung des Geräts beaufsichtigt oder angeleitet werden und die möglichen Gefahren verstehen.
- ◆ Kinder dürfen nicht mit dem Gerät spielen. Reinigung und Wartungsarbeiten dürfen von Kindern nur unter Aufsicht durchgeführt werden.

Restrisiken

Beim Gebrauch dieses Geräts verbleiben zusätzliche Restrisiken, die möglicherweise nicht in den Sicherheitswarnungen genannt werden. Diese Risiken bestehen beispielsweise bei Missbrauch oder längerem Gebrauch.

Auch bei der Einhaltung der entsprechenden Sicherheitsvorschriften und der Verwendung aller Sicherheitsgeräte bestehen weiterhin bestimmte Restrisiken. Diese sind:

- ◆ Verletzungen, die durch das Berühren von sich drehenden/bewegenden Teilen verursacht werden.
- ◆ Verletzungen, die durch das Austauschen von Teilen, Sägeblättern oder Zubehör verursacht werden.
- ◆ Verletzungen, die durch längeren Gebrauch eines Geräts verursacht werden. Legen Sie bei längerem Gebrauch regelmäßige Pausen ein.
- ◆ Beeinträchtigung des Gehörs.
- ◆ Gesundheitsrisiken durch das Einatmen von Staub beim Gebrauch des Geräts (beispielsweise bei Holzarbeiten, insbesondere Eiche, Buche und Pressspan).

Vibration

Die in den Abschnitten „Technische Daten“ und „EU-Konformitätserklärung“ angegebenen Werte für die Vibrationsemission wurden mit einer Standard-Prüfmethode nach EN 60745 ermittelt und können zum Vergleich verschiedener Geräte herangezogen werden. Außerdem kann mit Hilfe dieses Werts die Belastung bei Verwendung des Geräts schon im Voraus eingeschätzt werden.

Warnung! Die bei Verwendung des Geräts auftretende Vibrationsemission hängt von der Art des Gerätegebrauchs ab und kann dementsprechend von dem angegebenen Wert abweichen. Gegebenenfalls kann die Vibration über dem angegebenen Wert liegen.

Für die Ermittlung der Vibrationsbelastung müssen die tatsächlichen Einsatzbedingungen und Verwendungen des Geräts während des gesamten Arbeitsgangs berücksichtigt werden, einschließlich der Zeiten, wenn das Gerät nicht verwendet oder im Leerlauf betrieben wird. Diese Werte werden benötigt, um die gemäß 2002/44/EG erforderlichen Sicherheitsmaßnahmen zum Schutz von Personen festlegen zu können.

Spannungsabfälle

Einschaltströme verursachen kurzfristige Spannungsabfälle. Unter ungünstigen Stromversorgungsbedingungen kann die andere Ausrüstung beeinträchtigt werden.

Falls die Systemimpedanz der Stromversorgung unter 0,424 Ω liegt, ist es unwahrscheinlich, dass Störungen auftreten.

Etiketten am Werkzeug

Die folgenden Bildsymbole werden zusammen mit dem Datumcode werden auf dem Werkzeug ausgewiesen:



Warnung! Zur Reduzierung der Verletzungsgefahr muss der Nutzer die Betriebsanleitung lesen.



Tragen Sie eine Sicherheitsbrille oder Schutzbrille beim Bedienen dieses Werkzeugs.



Tragen Sie einen Gehörschutz beim Bedienen dieses Werkzeugs.

Elektrische Sicherheit



Dieses Werkzeug ist doppelt isoliert; deshalb ist ein Erdungsdraht erforderlich. Überprüfen Sie immer, dass die Stromversorgung der Spannung auf dem Typenschild entspricht.

- ◆ Wenn das Netzkabel beschädigt ist, muss es vom Hersteller oder von einem zugelassenen Stanley Fat Max Service Center ersetzt werden, um Gefahren zu vermeiden.

Merkmale

Dieses Werkzeug umfasst einige oder alle der folgenden Merkmale.

1. Ein-/Aus-Schalter
2. Arretierungstaste
3. Entriegelungstaste
4. Zusatzhandgriff
5. Spindelverriegelung
6. Schutzhaube

Montage

Warnung! Stellen Sie vor der Montage sicher, dass das Werkzeug ausgeschaltet und ausgesteckt ist.

Anbringen und Entfernen der Schutzabdeckung (Abb. A & B)

Das Werkzeug ist mit einer Schutzabdeckung ausschließlich für Schleifzwecke ausgestattet. Ist das Gerät zur Durchführung von Abtrennarbeiten vorgesehen, muss eine Schutzabdeckung speziell für diese Tätigkeit angebracht werden.

Eine geeignete Schutzabdeckung für Abtrennarbeiten Teilenummer 1004484-01 ist erhältlich und kann in Stanley Fat Max Servicezentren erworben werden.

Verschraubung

- ◆ Legen Sie das Werkzeug mit der Spindel (7) nach oben auf einen Tisch.

- ◆ Platzieren Sie die Tellefeder (8) über der Spindel und bringen Sie sie auf der Schulter an.
- ◆ Platzieren Sie die Schutzhaube (6) gemäß der Abbildung auf den Schleifer.
- ◆ Platzieren Sie den Flansch (9) über der Spindel, wobei die überstehenden Zacken in Richtung Schutzabdeckung weisen. Stellen Sie sicher, dass die Löcher im Flansch mit den Schraubenlöchern ausgerichtet werden.
- ◆ Sichern Sie den Flansch mit den Schrauben (10). Stellen Sie sicher, dass die Schrauben ganz fest sind und dass die Schutzabdeckung gedreht werden kann.

Entfernung

- ◆ Verwenden Sie einen Schraubenzieher, um die Schrauben zu entfernen (10).
- ◆ Entfernen Sie den Flansch (9), die Schutzabdeckung (6) und die Federscheibe (8). Lagern Sie diese Teile vorsichtig.

Warnung! Verwenden Sie die Maschine niemals ohne Schutz.

Justierung des Schutzes

Die Schutzabdeckung kann um 90° gedreht werden.

- ◆ Drehen Sie die Schutzabdeckung nach Bedarf.

Anbringen den Zusatzhandgriff

- ◆ Schrauben Sie den Zusatzhandgriff (4) in eines der Befestigungslöcher in dem Werkzeug.

Warnung! Benutzen Sie immer den Zusatzhandgriff.

Anbringen und Auswechseln der Schleif- oder Trennschleifscheibe (Abb. C - E)

Verwenden Sie für Ihre Anwendung immer den richtigen Scheibentyp. Verwenden Sie immer Scheiben mit dem richtigen Durchmesser und der richtigen Bohrungsgröße (siehe technische Daten).

Verschraubung

- ◆ Bringen Sie den Schutz wie oben beschrieben an.
- ◆ Platzieren Sie den Innenflansch (11) auf die Spindel (7), wie dargestellt (Abb. C). Stellen Sie sicher, dass sich der Flansch korrekt an den flachen Seiten der Spindel befindet.
- ◆ Platzieren Sie die Scheibe (12) auf die Spindel (7), wie dargestellt (Abb. C). Hat die Scheibe einen erhöhten Mittelpunkt (13), dann stellen Sie sicher, dass die erhöhte Mitte zum Innenflansch zeigt.
- ◆ Stellen Sie sicher, dass die Scheibe sich korrekt am Innenflansch befindet.
- ◆ Platzieren Sie den Außenflansch (14) auf die Spindel. Beim Anbringen einer Schleifscheibe muss die erhöhte Mitte am Außenflansch in Richtung Scheibe zeigen (A in Abb. D). Beim Anbringen einer Schneidscheibe muss die

erhöhte Mitte am Außenflansch von der Scheibe weg zeigen (B in Abb. D).

- ◆ Halten Sie die Spindelarrretierung (5) nach unten gedrückt und ziehen Sie den Außenflansch mit dem Zweistiftschlüssel (15) fest (Abb. E).

Entfernung

- ◆ Halten Sie die Spindelarrretierung (5) nach unten gedrückt und lösen Sie den Außenflansch (14) mit dem Zweistiftschlüssel (15) (Abb. E).
- ◆ Entfernen Sie den Außenflansch (14) und die Scheibe (12).

Verwendung

Warnung! Lassen Sie das Werkzeug die Geschwindigkeit selbst bestimmen. Nicht überlasten.

- ◆ Führen Sie das Kabel vorsichtig, um zu vermeiden, dass versehentlich hineingeschnitten wird.
- ◆ Seien Sie auf einen Funkenstrom vorbereitet, wenn die Schleif- oder Schneidscheibe das Werkstück berührt.
- ◆ Positionieren Sie das Werkzeug so, dass der Schutz den optimalen Schutz vor der Schleif- oder Schneidscheibe bietet.

Ein- und Ausschalten

- ◆ Um das Elektrowerkzeug einzuschalten und drücken Sie anschließend die Schalterarrretierung (2) und den Ein-/Aus-Schalter (1).
- ◆ Drücken Sie den Verriegelungsknopf (3) für Dauerbetrieb und lassen den Ein-/Aus-Schalter los.
- ◆ Lassen Sie zum Ausschalten des Geräts den Ein-/Aus-Schalter los. Zum Ausschalten des Werkzeuges bei Dauerbetrieb drücken Sie den Ein-/Aus-Schalter noch einmal und lassen ihn anschließend wieder los.

Warnung! Schalten Sie das Gerät nicht aus, wenn es unter Last ist.

Sanftanlauf

Der Sanftanlauf ermöglicht eine langsame Steigerung der Drehzahl und verhindert den Ruck beim Starten. Dieses Merkmal ist besonders nützlich bei Arbeiten in beengter Umgebung.

No-Volt

Die No-Volt-Funktion verhindert das Wiederanlaufen des Schleifgeräts, ohne dass der Schalter getaktet wurde, wenn es eine Unterbrechung in der Stromversorgung gab.

Hinweise für einen optimalen Gebrauch

- ◆ Halten Sie das Werkzeug mit einer Hand rund um den Nebengriff gut fest und umschließen Sie mit der anderen Hand den Hauptgriff (Abb. F).

- ◆ Behalten Sie beim Schleifen immer einen Winkel von ungefähr 15° zwischen der Scheibe und der Oberfläche des Werkstücks bei.

Wartung

Ihr Stanley Fat Max Elektrowerkzeug mit Kabel/ohne Kabel wurde für langfristigen Betrieb mit minimalem Wartungsaufwand konstruiert. Ein kontinuierlicher, zufriedenstellender Betrieb hängt von der richtigen Pflege des Gerätes und seiner regelmäßigen Reinigung ab.

Warnung! Tun Sie vor der Durchführung von Wartungsarbeiten an Elektrowerkzeugen mit/ohne Kabel Folgendes durch:

- ◆ Schalten Sie das Gerät/Werkzeug aus und stecken Sie es aus.
- ◆ Oder schalten Sie das Gerät aus und entfernen Sie die Batterie aus dem Gerät/Werkzeug, wenn das Gerät/Werkzeug einen separaten Akku hat.
- ◆ Oder lassen Sie die Batterie komplett leer werden, wenn Sie eingebaut ist und schalten Sie das Gerät/Werkzeug dann ab.
- ◆ Stecken Sie das Ladegerät vor der Reinigung aus. Ihr Ladegerät braucht neben der normalen Reinigung keine Wartung.
- ◆ Reinigen Sie die Lüftungsschlitze in Ihrem Gerät/Werkzeug/Ladegerät mit einer weichen Bürste oder einem trockenen Tuch.
- ◆ Reinigen Sie das Motorgehäuse regelmäßig mit einem feuchten Tuch. Verwenden Sie keine scheuerndes oder lösungsmittelbasiertes Reinigungsmittel.
- ◆ Öffnen Sie das Bohrfutter regelmäßig und tippen Sie es an, um Staub aus dem Inneren zu entfernen (falls angebracht).

Umweltschutz



Getrennte Entsorgung. Produkte und Batterien, die mit diesem Symbol gekennzeichnet sind, dürfen nicht im normalen Hausmüll entsorgt werden.

Produkte und Batterien enthalten Materialien, die zurückgewonnen oder recycelt werden können und die Nachfrage nach Rohstoffen reduzieren.

Bitte recyceln Sie Elektroprodukte und Batterien gemäß den lokalen Bestimmungen.

Technische Daten

FMEG222 Typ 1		
Eingangsspannung	V _{AC}	230
Eingangsleistung	W	1.200
Nenn Drehzahl	min ⁻¹	11.000
Scheibendurchmesser	mm	125
Scheibenbohrung	mm	22
Max. Scheibendicke		
Schleifscheiben	mm	6
Schneidscheiben	mm	3,5
Spindelgröße		M14
Gewicht	kg	2,7
Schalldruckpegel gemäß EN 60745:		
L _{PA} (Schalldruck) 91,0 dB(A), Unsicherheit (K) 3 dB(A)		
L _{WA} (Schalldruck) 102,0 dB(A), Unsicherheit (K) 3 dB(A)		
Gesamtschwingungspegel (triaxiale Vektorsumme) gemäß EN60745:		
Oberflächenschleifen (a _{h,sc}) 8,2 m/s ² , Unsicherheit (K) 1,5 m/s ²		

EG-Konformitätserklärung

MASCHINENRICHTLINIE



FMEG222 Winkelschleifer

Stanley Fat Max erklärt hiermit, dass diese unter „Technische Daten“ beschriebenen Produkte die folgenden Vorschriften erfüllen:

EN60745-1:2009 +A11:2010; EN60745-2-3:2011+A2:2012 +A11:2014+A12:2014+A13:2015

Diese Produkte entsprechen außerdem den Richtlinien 2006/42/EC, 2014/30/EU 2011/65/EU.

Für weitere Informationen wenden Sie sich bitte an Stanley Fat Max unter der folgenden Adresse oder schauen Sie auf der Rückseite dieser Betriebsanleitung nach.

Der Unterzeichnete ist verantwortlich für die Zusammenstellung des technischen Dossiers und gibt diese Erklärung im Namen von Stanley Fat Max ab.

A. Smith
Technical Director

Stanley Fat Max Europe, 210 Bath Road, Slough,
Berkshire, SL1 3YD, Vereinigtes Königreich
15/01/2019

Garantie

Stanley Fat Max vertraut auf die Qualität der eigenen Geräte und bietet dem Käufer eine außergewöhnliche Garantie von 12 Monaten ab Kaufdatum. Diese Garantie versteht sich unbeschadet der gesetzlichen Gewährleistungsansprüche und schränkt diese keinesfalls ein. Diese Garantie gilt innerhalb der Staatsgebiete der Mitgliedstaaten der Europäischen Union und der Europäischen Freihandelszone.

Zur Inanspruchnahme dieser Garantie muss sie den allgemeinen Geschäftsbedingungen von Stanley Fat Max entsprechen und dem Verkäufer bzw. der Vertragswerkstatt ist ein Kaufnachweis vorzulegen. Die Bedingungen für die 1-jährige Garantie von Stanley Fat Max und den Standort Ihrer nächstgelegenen Vertragswerkstatt finden Sie im Internet unter www.2helpU.com oder indem Sie sich an die lokale Stanley Fat Max -Niederlassung wenden, deren Adresse Sie in dieser Anleitung finden.

Ihr neues Stanley Fat Max-Produkt können Sie auf unserer Website unter www.stanley.eu/3 registrieren. Dort erhalten Sie auch Informationen über neue Produkte und Sonderangebote.

FRANÇAIS

(Traduction des instructions originales)

Utilisation prévue

Votre meuleuse d'angle Stanley Fat Max FMEG222 a été conçue pour le meulage et le tronçonnage de métal et matériaux de maçonnerie à l'aide de disques à tronçonner et à meuler adaptés. Équipé des dispositifs de protection appropriés, cet outil a été conçu pour les professionnels et les particuliers.

Consignes de sécurité

Consignes de sécurité générales relatives aux outils électriques



Avertissement ! Lisez tous les avertissements et toutes les instructions. Le non-respect des avertissements et des instructions listés ci-dessous peut entraîner des chocs électriques, des incendies et/ou de graves blessures.

Conservez tous les avertissements et toutes les instructions afin de pouvoir vous y référer dans le futur.

Le terme «outil électrique» mentionné dans tous les avertissements listés ci-dessous fait référence à vos outils électriques fonctionnant sur secteur (avec câble) ou sur pile ou batterie (sans fil).

1. Sécurité de la zone de travail

- a. **Maintenez la zone de travail propre et bien éclairée.** Les zones sombres ou encombrées sont propices aux accidents.
- b. **N'utilisez pas d'outils électriques dans un environnement présentant des risques d'explosion ou en présence de liquides, gaz ou poussières inflammables.** Les outils électriques créent des étincelles qui peuvent enflammer les poussières et les fumées.
- c. **Maintenez les enfants et autres personnes éloignés lorsque les outils électriques sont en marche.** Toute distraction peut vous faire perdre le contrôle de l'outil.

2. Sécurité électrique

- a. **Les prises des outils électriques doivent correspondre à la prise de courant murale. Ne modifiez jamais la prise d'aucune sorte. N'utilisez aucun adaptateur avec des outils électriques reliés à la terre.** L'utilisation de prises d'origine et de prises murales appropriées permet de réduire le risque de choc électrique.
- b. **Évitez tout contact physique avec des surfaces reliées à la terre comme des tuyaux, des radiateurs, des fours et des réfrigérateurs par exemple.** Le risque de choc électrique augmente si votre corps est relié à la terre.
- c. **N'exposez pas les outils électriques à la pluie, ni à l'humidité.** Le risque de choc électrique augmente si de l'eau pénètre dans un outil électrique.
- d. **Ne tirez pas sur le cordon d'alimentation. N'utilisez jamais le cordon pour transporter, tirer ou débrancher l'outil électrique.** Maintenez le cordon éloigné de la chaleur, des substances grasses, des bords tranchants ou des pièces mobiles. Les cordons endommagés ou emmêlés augmentent le risque de choc électrique.
- e. **Si vous utilisez un outil électrique à l'extérieur, utilisez une rallonge homologuée pour les travaux extérieurs.** L'utilisation d'un cordon adapté pour l'extérieur réduit le risque de choc électrique.
- f. **Si l'utilisation d'un outil électrique dans un endroit humide est inévitable, utilisez une alimentation électrique protégée par un disjoncteur différentiel.** L'utilisation d'un disjoncteur différentiel réduit le risque de choc électrique.

3. Sécurité personnelle

- a. **Restez vigilant, surveillez ce que vous faites et faites preuve de bon sens lorsque vous utilisez un outil électrique. N'utilisez pas d'outils électriques si vous êtes fatigué ou sous l'influence de drogue, d'alcool ou de médicaments.** Tout moment d'inattention pendant l'utilisation d'un outil électrique peut engendrer de graves blessures.
 - b. **Portez des équipements de protection individuelle. Portez toujours une protection oculaire.** Les équipements de protection comme les masques anti-poussières, les chaussures de sécurité antidérapantes, les casques ou les protections auditives utilisés à bon escient réduisent le risque de blessures.
 - c. **Empêchez tout démarrage par inadvertance. Assurez-vous que l'outil est en position OFF (Arrêt) avant de raccorder l'outil à l'alimentation électrique et/ou au bloc-batterie ou avant de ramasser ou de transporter l'outil.** Le fait de transporter les outils électriques le doigt sur l'interrupteur ou d'alimenter les outils électriques dont l'interrupteur est déjà en position de marche augmente les accidents.
 - d. **Retirez toutes les clés ou pinces de réglage avant de mettre l'outil en marche.** Une clé ou une pince restée fixée à la partie rotative de l'outil électrique peut engendrer des blessures.
 - e. **Ne présumez pas de vos forces. Gardez les pieds bien ancrés au sol et conservez votre équilibre en permanence.** Cela permet de mieux maîtriser l'outil électrique en cas de situations imprévues.
 - f. **Portez des vêtements appropriés. Ne portez aucun vêtement ample ou de bijou. Conservez les cheveux, les vêtements et les gants éloignés des parties mobiles.** Les vêtements amples, les bijoux ou les cheveux longs peuvent être happés par les pièces mobiles.
 - g. **Si des dispositifs pour l'extraction des poussières ou des installations pour la récupération sont présents, assurez-vous qu'ils sont correctement raccordés et utilisés.** L'utilisation de dispositifs récupérateurs de poussières réduit les risques liés aux poussières.
- 4. Utilisation et entretien d'un outil électrique**
- a. **Ne forcez pas sur l'outil électrique. Utilisez le bon outil adapté pour votre intervention.** Un outil adapté fonctionne mieux, de façon plus sûre et à la cadence pour laquelle il a été conçu.
 - b. **N'utilisez pas l'outil électrique si son interrupteur Marche/Arrêt est défectueux.** Tout appareil électrique qui ne peut plus être commandé par son interrupteur est dangereux et doit être réparé.
 - c. **Débranchez la prise du secteur et/ou le bloc-batterie de l'outil électrique avant d'effectuer tout réglage, de**

changer un accessoire ou de ranger l'outil électrique.

Ces mesures de sécurité préventives réduisent le risque de démarrage accidentel de l'outil électrique.

- d. **Rangez les outils électriques non utilisés hors de portée des enfants et ne laissez aucune personne ne connaissant pas ces outils ou leurs instructions d'utilisation les faire fonctionner.** Les outils électriques peuvent être dangereux entre des mains inexpérimentées.
- e. **Entretenez vos outils électriques. Vérifiez que les pièces mobiles sont alignées correctement et qu'elles ne sont pas coincées. Vérifiez qu'il n'y a pas de pièces cassées ou toute autre condition qui pourrait nuire au bon fonctionnement de l'outil. En cas de dommage, faites réparer l'outil électrique avant utilisation.** De nombreux accidents sont provoqués par des outils électriques mal entretenus.
- f. **Maintenez les organes de coupe affûtés et propres.** Des organes de coupe bien entretenus et affûtés sont moins susceptibles de rester coincés et sont plus faciles à contrôler.
- g. **Utilisez les outils électriques, les accessoires et les embouts d'outil conformément à ces instructions, en tenant compte des conditions de travail, ainsi que du travail à effectuer.** L'utilisation d'un outil électrique à des fins autres que celles pour lesquelles il a été prévu engendre des situations dangereuses.

5. Révision

- a. **Faites réviser/réparer votre outil électrique par une personne qualifiée, n'utilisant que des pièces de rechange d'origine.** Cela permet de garantir la sûreté de l'outil électrique.

Consignes de sécurité supplémentaires concernant les outils électriques

Avertissement ! Avertissements de sécurité supplémentaires concernant les opérations de meulage ou tronçonnage

- ◆ **Cet outil électrique a été conçu pour le meulage ou le tronçonnage. Veuillez lire tous les avertissements de sécurité, toutes les instructions, illustrations et spécifications fournies avec cet outil électrique.** Le non respect des instructions listées ci-dessous peut conduire à des chocs électriques, des incendies et/ou de graves blessures.
- ◆ **Les opérations telles que le ponçage, le brossage métallique et le polissage ne sont pas recommandées avec cet outil électrique.** Les opérations pour lesquelles l'outil électrique n'a pas été conçu peuvent engendrer des risques et provoquer des blessures.
- ◆ **N'utilisez pas d'accessoires qui n'aient pas été spécifiquement conçus et recommandés par le fabricant de l'outil.** Le fait que l'accessoire puisse être fixé à votre outil électrique ne veut pas forcément dire que son utilisation est sans risque.
- ◆ **La vitesse nominale de l'accessoire doit être au moins égale à la vitesse maximum spécifiée sur l'outil électrique.** Les accessoires qui tournent plus vite que leur vitesse nominale peuvent rompre et voler en éclats.
- ◆ **Le diamètre extérieur et l'épaisseur de votre accessoire doivent correspondre à la capacité nominale de votre l'outil électrique.** Des accessoires mal dimensionnés ne peuvent pas être correctement protégés et contrôlés.
- ◆ **Le filetage d'installation des accessoires doit correspondre à celui de l'axe de la meuleuse. Pour les accessoires montés avec des brides, l'alésage de l'accessoire doit correspondre au diamètre de positionnement de la bride.** Les accessoires qui ne correspondent pas au dispositif d'installation de l'outil électrique ne tournent pas correctement, vibrent de façon excessive et peuvent provoquer la perte de contrôle de l'outil.
- ◆ **N'utilisez pas d'accessoires endommagés. Avant chaque utilisation, vérifiez tous les accessoires, l'absence d'ébréchures ou de fissures sur les disques, l'absence de fissures ou d'usure excessive sur les patins-supports, l'absence d'usure excessive.**
- ◆ **En cas de chute de l'outil électrique ou de l'un de ses accessoires, contrôlez l'absence de dommages et remplacez tout accessoire qui serait endommagé. Après avoir inspecté et installé un accessoire, éloignez vous et toutes personnes présentes du plan de rotation de l'accessoire et laissez tourner l'outil électrique une minute à sa vitesse à vide maximale.** En général, c'est pendant ce délai de test que se brisent les accessoires endommagés.
- ◆ **Portez des équipements de protection individuelle. En fonction de l'intervention, utilisez un écran facial ou des lunettes de protection. Si approprié, portez un masque anti-poussières, une protection auditive, des gants et un tablier d'atelier capables de stopper tout fragment abrasif ou provenant de la pièce à travailler.** La protection oculaire doit être capable d'arrêter les débris générés par les diverse opérations. Le masque anti-poussières ou le respirateur doivent pouvoir filtrer les particules générées par votre intervention. Les expositions prolongées à un niveau de bruit élevé peuvent provoquer la perte de l'ouïe.
- ◆ **Maintenez les personnes présentes à une distance sûre de la zone de travail. Toute personne pénétrant dans la zone de travail doit porter des équipements de protection individuelle.** Des débris provenant de la pièce

à travailler ou d'un accessoire brisé peuvent être éjectés et provoquer des blessures au-delà de la zone de travail immédiate.

- ◆ **Ne tenez l'outil que par ses surfaces de préhension isolées lorsque vous réalisez une opération pendant laquelle l'accessoire de coupe peut entrer en contact avec des câbles cachés ou son propre cordon électrique.** Tout contact de l'accessoire de coupe avec un fil sous tension peut mettre les parties métalliques exposées de l'outil sous tension et provoquer un choc électrique à l'utilisateur.
- ◆ **Maintenez le cordon électrique éloigné de l'accessoire en rotation.** En cas de perte de contrôle, le cordon pourrait être sectionné ou abîmé, et vos bras ou mains pourraient entrer en contact avec l'accessoire en rotation.
- ◆ **Ne posez jamais l'outil électrique avant que l'accessoire ne soit complètement arrêté.** L'accessoire en rotation pourrait sinon accrocher la surface et vous faire perdre le contrôle de l'outil.
- ◆ **Ne mettez pas l'outil en marche tant que vous le portez sur le côté.** Un contact accidentel avec l'accessoire en rotation pourrait accrocher vos vêtements, et entraîner l'accessoire vers votre corps.
- ◆ **Nettoyez régulièrement les orifices d'aération de l'outil électrique.** Le ventilateur du moteur attire la poussière à l'intérieur du boîtier et une accumulation excessive de poussières métalliques peut conduire à un risque électrique.
- ◆ **N'utilisez pas l'outil électrique à proximité de matières inflammables.** Des étincelles pourraient enflammer ces matières.
- ◆ **N'utilisez pas d'accessoires nécessitant l'utilisation d'un liquide de refroidissement.** L'utilisation d'eau ou de tout autre fluide de refroidissement peut provoquer une électrocution ou un choc électrique.

Remarque : L'avertissement ci-dessus ne s'applique pas aux outils électriques spécialement conçus pour un utilisation avec un système à liquide.

Rebond et avertissements liés

Les rebonds sont une réaction soudaine au pincement ou au grippage d'un disque, d'un patin-support, d'une brosse ou de tout autre accessoire. Le pincement ou le grippage provoque le blocage rapide de l'accessoire en rotation forçant alors l'outil électrique non contrôlé à se diriger dans la direction opposée par rapport à son sens de rotation au niveau du point de grippage.

Par exemple, si un disque abrasif reste grippé ou pincé dans l'ouvrage, le bord du disque engagé au point de grippage peut s'enfoncer dans la surface du matériau ce qui le fait tressauter ou rebondir. Le disque peut alors rebondir vers ou à l'opposé de l'utilisateur, selon le sens du mouvement du disque au

niveau du point de grippage. Dans ces conditions, il peut aussi arriver que les disques abrasifs se brisent.

Les rebonds proviennent d'une utilisation inappropriée de l'outil électrique et/ou de conditions ou procédures d'exécution incorrectes, et peuvent être évités en prenant les précautions adéquates énoncées ci-dessous.

- ◆ **Maintenez fermement l'outil électrique et placez votre corps et votre bras de façon à pouvoir résister à la force d'un rebond. Utilisez toujours la poignée auxiliaire, si elle existe, pour un contrôle maximal de l'outil en cas de rebonds ou de retour de couple au démarrage.** L'utilisateur peut contrôler les retours de couple ou la force des rebonds si des précautions adéquates sont prises.
- ◆ **Ne placez jamais vos mains près de l'accessoire en rotation.** L'accessoire pourrait rebondir sur vos mains.
- ◆ **Ne positionnez pas votre corps dans l'espace que pourrait occuper l'outil en cas de rebonds.** Un rebond propulse l'outil dans la direction opposée au mouvement du disque au niveau du point de grippage.
- ◆ **Prenez des précautions particulières si vous travaillez dans des coins, des bords acérés, etc. Évitez de faire rebondir l'outil sur la matière et le grippage de l'accessoire.** Les coins, bords acérés ou les rebondis ont tendance à faire accrocher l'accessoire en rotation et à provoquer la perte de contrôle de l'outil ou des rebonds.
- ◆ **Ne fixez pas de lame à sculpter ou de lame dentée.** Ces lames provoquent de fréquents rebonds ou pertes de contrôle.

Consignes spécifiques de sécurité propres aux opérations de meulage et de tronçonnage :

- ◆ **N'utilisez que les types de disques recommandés pour votre outil électrique ainsi que le dispositif de protection spécifiquement conçu pour le disque choisi.** Les disques non conçus pour l'outil électrique ne peuvent pas être correctement protégés et ils sont dangereux.
- ◆ **La surface de meulage des disques à moyeu déporté doit être montée sous le plat de la lèvre du carter.** Un disque mal monté qui dépasse du plat de la lèvre du carter ne peut pas être correctement protégé.
- ◆ **Le dispositif de protection doit être soigneusement fixé à l'outil électrique et placé de façon à optimiser la sécurité, de façon à ce que l'utilisateur soit le moins possible exposé au disque.** La protection doit protéger l'utilisateur contre les fragments de disques cassés, le contact accidentel avec le disque et les étincelles qui pourraient enflammer les vêtements.
- ◆ **Les disques ne doivent être utilisés que pour les applications recommandées. Ne meulez par exemple**

pas avec le côté d'un disque à tronçonner. Les disques abrasifs sont prévus pour le meulage périphérique, toute force latérale appliquée sur ces disques peut les faire voler en éclats.

- ◆ **Utilisez toujours des brides de disques en parfait état, de taille et de forme adaptées au disque choisi.** Les brides de disque servent de support aux disques, réduisant ainsi les possibilités de rupture. Les brides de disques à tronçonner peuvent différer des brides de disques à meuler.
- ◆ **N'utilisez pas de disques usés provenant d'autres outils électriques plus gros.** Les disques conçus pour des outils électriques plus gros ne sont pas adaptés pour les vitesses plus rapides des outils plus petits et ils peuvent voler en éclats.

Consignes de sécurité spécifiques supplémentaires propres aux opérations de tronçonnage

- ◆ **Ne coinciez pas le disque à tronçonner et ne lui appliquez pas une pression excessive. Ne tentez pas de réaliser des découpes de trop grandes profondeurs.** Une pression excessive sur le disque augmente la charge imposée à l'outil et les possibilités de torsion ou de grippage du disque dans la coupe et par conséquent les risques de rebonds ou de ruptures.
- ◆ **Ne placez pas votre corps dans l'alignement ou derrière le disque en rotation.** Lorsque le disque, au point d'exécution, s'éloigne de votre corps, le rebond possible peut le propulser avec l'outil électrique directement vers vous.
- ◆ **En cas de grippage du disque ou si une découpe est interrompue pour une quelconque raison, éteignez l'outil électrique et maintenez-le immobile jusqu'à l'arrêt complet du disque. Ne tentez jamais de retirer un disque à tronçonner de la coupe alors qu'il est en rotation, un rebond pourrait sinon se produire.** Cherchez la cause du grippage du disque et appliquez les actions correctives afin de la supprimer.
- ◆ **Ne redémarrez pas l'outil dans l'ouvrage. Laissez le disque tourner à plein régime puis ré-entrez le prudemment dans la coupe.** Le disque pourrait sinon se gripper, sortir de la coupe ou rebondir si l'outil électrique est remis en marche à l'intérieur de la pièce à découper.
- ◆ **Soutenez les panneaux et les pièces de grandes tailles afin de minimiser le risque de coincement du disque et les rebonds.** Les pièces de grande taille ont tendance à s'affaisser sous leur propre poids. Des supports doivent être placés sous la pièce à découper, près de la ligne de découpe, des deux côtés du disque.
- ◆ **Prenez des précautions supplémentaires pour les « découpes de cavités » dans des murs existants ou dans toute zone à visibilité limitée.** La saillie du disque

pourrait sectionner des tuyaux de gaz ou d'eau, des fils électriques ou des objets pouvant provoquer des rebonds.

Sécurité des personnes

- ◆ Cet outil peut être utilisé par des enfants âgés de 8 ans ou plus et par des personnes aux capacités physiques, mentales ou sensorielles déficientes ou qui manquent d'expérience ou de connaissance s'ils sont supervisés ou ont été formés à l'utilisation sûre de l'appareil et qu'ils sont conscients des risques potentiels.
- ◆ Ne laissez pas les enfants jouer avec l'appareil. Les enfants ne peuvent en aucun cas assurer le nettoyage et l'entretien sans surveillance.

Risques résiduels

Certains risques résiduels autres que ceux mentionnés dans les avertissements sur la sécurité peuvent survenir en utilisant l'outil. Ces risques peuvent être provoqués par une utilisation incorrecte, prolongée, etc.

Malgré l'application des normes de sécurité pertinentes et la présence de dispositifs de sécurité, certains risques résiduels ne peuvent pas être évités. Ils comprennent :

- ◆ Les blessures dues au contact avec une pièce en rotation/ en mouvement.
- ◆ Les blessures dues au remplacement de pièces, lames ou accessoires.
- ◆ Les blessures dues à l'utilisation prolongée d'un outil. Lorsque l'outil est utilisé pendant de longues périodes, assurez-vous de faire des pauses régulières.
- ◆ La diminution de l'acuité auditive.
- ◆ Les risques sanitaires dus à l'inhalation de poussières émises pendant l'utilisation de l'outil (exemple : travail avec du bois, surtout le chêne, le hêtre et les panneaux en MDF)

Vibrations

La valeur des émissions de vibrations déclarée dans la section Caractéristiques techniques et la déclaration de conformité a été mesurée selon une méthode de test standard fournie par la norme EN 60745 et peut être utilisée pour comparer un outil à un autre. La valeur des émissions de vibrations déclarée peut aussi être utilisée pour une évaluation préliminaire à l'exposition.

Avertissement ! En fonction de la manière dont l'outil est utilisé, la valeur des émissions de vibrations réelles pendant l'utilisation de l'outil peut différer de la valeur déclarée. Le niveau des vibrations peut dépasser le niveau déclaré.

Quand l'exposition aux vibrations est évaluée afin de déterminer les mesures de sécurité requises par la norme 2002/44/CE pour protéger les personnes utilisant régulièrement des outils électriques, cette estimation doit tenir compte des conditions réelles d'utilisation et de la façon dont

l'outil est utilisé. Il faut également tenir compte de toutes les composantes du cycle de fonctionnement comme la durée pendant laquelle l'outil est arrêté et quand il fonctionne au ralenti, ainsi que la durée du déclenchement.

Chutes de tension

Les courants de démarrage provoquent des micro chutes de tension.

Si les conditions d'alimentation électrique sont défavorables, les autres équipements peuvent être impactés.

Si l'impédance du système de l'alimentation électrique est inférieure à 0,424 Ω , des perturbations peuvent se produire.

Étiquettes sur l'outil

Les pictogrammes suivants ainsi que le code date sont apposés sur l'outil :



Avertissement ! Pour réduire le risque de blessures, l'utilisateur doit lire le manuel d'instructions.



Portez des lunettes de protection lorsque vous utilisez cet outil.



Portez des protections auditives lorsque vous utilisez cet outil.

Sécurité électrique



Cet outil est doublement isolé et ne nécessite donc aucun fil de terre. Vérifiez toujours que l'alimentation électrique correspond à la tension indiquée sur la plaque signalétique.

- ◆ Si le câble d'alimentation est endommagé, il doit être remplacé par le fabricant ou par un centre de réparation agréé Stanley Fat Max afin d'éviter tout accident.

Caractéristiques

Cet outil dispose de tout ou partie des caractéristiques suivantes.

1. Interrupteur Marche/Arrêt
2. Bouton de déverrouillage
3. Bouton de verrouillage
4. Poignée latérale
5. Système de verrouillage de l'axe
6. Dispositif de protection

Assemblage

Avertissement ! Avant l'assemblage, assurez-vous que l'outil est éteint et débranché.

Mise en place et retrait de la protection (fig. A et B)

L'outil est livré avec un dispositif de protection destiné uniquement aux opérations de meulage. Si l'appareil est prévu pour effectuer des opérations de tronçonnage, un dispositif de protection spécifique à cette opération doit être installé. Une protection adaptée pour les opérations de tronçonnage (n° de pièce 1004484-01) est disponible dans les centres d'assistance Stanley Fat Max.

Installation

- ◆ Placez l'outil sur une table en orientant l'axe (7) vers le haut.
- ◆ Placez la rondelle élastique (8) sur l'axe et positionnez-la sur l'épaulement.
- ◆ Placez la protection (6) sur l'outil comme illustré.
- ◆ Placez la bride (9) sur l'axe avec les saillies pointant vers la protection. Assurez-vous que les trous de la bride sont alignés avec les trous de vis.
- ◆ Fixez la bride avec les vis (10). Assurez-vous que les vis sont complètement serrées et que la protection peut pivoter.

Retrait

- ◆ Utilisez un tournevis pour retirer les vis (10).
- ◆ Retirez la bride (9), la protection (6) et la rondelle élastique (8). Conservez soigneusement ces pièces.

Avertissement ! N'utilisez jamais l'outil sans protection.

Réglage du dispositif de protection

La protection peut être pivotée de 90°.

- ◆ Pivotez la protection si nécessaire.

Installation de la poignée latérale

- ◆ Vissez la poignée latérale (4) dans l'un des trous de fixation de l'outil.

Avertissement ! Utilisez toujours la poignée latérale.

Installation et retrait des disques à meuler ou tronçonner (fig. C - E)

Utilisez toujours le bon type de disque en fonction de votre intervention. Utilisez toujours des disques du bon diamètre et dont le trou est à la bonne taille (voir donnée technique).

Installation

- ◆ Installez la protection comme décrit plus haut.
- ◆ Placez la bride intérieure (11) sur l'axe (7) comme illustré (fig. C). Assurez-vous que la bride est correctement positionnée sur les côtés plats de l'axe.
- ◆ Placez le disque (12) sur l'axe (7) comme illustré (fig. C). Si le disque est bombé au centre (13), assurez-vous que la partie bombée pointe vers la bride intérieure.
- ◆ Assurez-vous que le disque tourne correctement sur la bride intérieure.

- ◆ Placez la bride extérieure (14) sur l'axe. Lorsque vous installez un disque à meuler, le centre bombé sur la bride extérieure doit pointer vers le disque (A sur la fig. D). Lorsque vous installez un disque à tronçonner, le centre bombé sur la bride extérieure doit pointer vers l'extérieur du disque (B sur la fig. D).
- ◆ Maintenez le système de verrouillage de l'axe (5) enfoncé et serrez la bride extérieure à l'aide d'une clé à deux griffes (15) (fig. E).

Retrait

- ◆ Maintenez le système de verrouillage de l'axe (5) enfoncé et desserrez la bride extérieure (14) à l'aide d'une clé à deux griffes (15) (fig. E).
- ◆ Retirez la bride extérieure (14) du disque (12).

Utilisation

Avertissement ! Laissez l'outil fonctionner à son propre rythme. Ne le poussez pas au-delà de ses limites.

- ◆ Guidez soigneusement le câble afin d'éviter de le couper accidentellement.
- ◆ Restez préparé à l'apparition d'un faisceau d'étincelles au moment où le disque à meuler ou à tronçonner touche l'ouvrage.
- ◆ Positionnez toujours l'outil de façon que la protection vous protège de façon optimale du disque à meuler ou à tronçonner.

Mise en marche et arrêt

- ◆ Pour allumer l'outil, appuyez sur le bouton de déverrouillage (2) puis sur l'interrupteur Marche/Arrêt (1).
- ◆ En mode continu, appuyez sur le bouton de verrouillage (3) et relâchez l'interrupteur Marche/Arrêt.
- ◆ Pour éteindre l'outil, relâchez l'interrupteur Marche/Arrêt. Pour éteindre l'outil quand il fonctionne en mode continu, appuyez une seconde fois sur l'interrupteur Marche/Arrêt, puis relâchez-le.

Avertissement ! N'éteignez pas l'outil s'il ne tourne pas à vide.

Fonction Démarrage en douceur

La fonction Démarrage en douceur permet d'augmenter la vitesse progressivement et d'éviter la secousse initiale du démarrage. Cette fonctionnalité est particulièrement utile pour travailler dans des espaces réduits.

Perte de tension

La fonction Perte de tension stoppe le redémarrage de la meuleuse sans que l'interrupteur ne soit actionné en cas de coupure de l'alimentation électrique.

Conseils pour une utilisation optimale

- ◆ Maintenez fermement l'outil, une main autour de la poignée latérale et l'autre autour de la poignée principale (fig. F).
- ◆ Pendant le meulage, maintenez toujours un angle d'environ 15° entre le disque et la surface de l'ouvrage.

Maintenance

Votre outil Stanley Fat Max avec ou sans fil a été conçu pour fonctionner pendant longtemps avec un minimum d'entretien. Le fonctionnement continu et satisfaisant de l'outil dépend d'un entretien adéquat et d'un nettoyage régulier.

Avertissement ! Avant toute intervention de maintenance sur des outils électriques avec ou sans fil :

- ◆ Arrêtez et débranchez l'appareil/outil.
- ◆ Ou, éteignez l'appareil/outil et retirez en la batterie si celui-ci est muni d'un bloc-batterie séparé.
- ◆ Ou déchargez complètement la batterie si elle est intégrée au système, puis éteignez l'appareil.
- ◆ Débranchez le chargeur avant de le nettoyer. Votre chargeur ne nécessite aucun entretien particulier, à l'exception d'un nettoyage régulier.
- ◆ Nettoyez régulièrement les fentes d'aération de votre appareil/outil/chargeur à l'aide d'une brosse souple ou d'un chiffon sec.
- ◆ Nettoyez régulièrement le carter moteur à l'aide d'un chiffon humide. N'utilisez pas de détergents abrasifs ou à base de solvants.
- ◆ Ouvrez régulièrement le mandrin et retirez la poussière à l'intérieur en tapotant dessus (s'il est installé).

Protection de l'environnement



Tri sélectif. Les produits et batteries marqués de ce symbole ne doivent pas être jetés avec les déchets ménagers.

Les produits et batteries contiennent des matières qui peuvent être récupérées et recyclées afin de réduire la demande en matières premières.

Veillez recycler les produits électriques et les batteries conformément aux dispositions locales en vigueur.

Données techniques

		FMEG222 Type 1
Tension d'entrée	V _{AC}	230
Puissance absorbée	W	1 200
Vitesse à nominale	min ⁻¹	11 000
Diamètre de disque	mm	125
Trou du disque	mm	22

Épaisseur max. du disque		
disques à meuler	mm	6
disques à tronçonne	mm	3,5
Taille de l'axe		M14
Poids	kg	2,7

Niveau de pression sonore selon la norme EN 60745 :		
L_{pa} (pression acoustique) 91,0 dB(A), incertitude (K) 3 dB(A)		
L_{WA} (pression acoustique) 102,0 dB(A), incertitude (K) 3 dB(A)		
Valeurs totales des vibrations (somme vectorielle triaxiale) selon la norme EN60745 :		
Meulage en surface ($a_{h,sc}$) 8,2 m/s ² , incertitude (K) 1,5 m/s ²		

Déclaration de conformité CE

DIRECTIVES MACHINES



Meuleuse d'angle FMEG222

Stanley Fat Max déclare que les produits décrits dans les «Données techniques» sont conformes aux normes :

EN60745-1:2009 +A11:2010; EN60745-2-3:2011+A2:2012 +A11:2014+A12:2014+A13:2015

Ces produits sont aussi conformes aux directives 2006/42/CE, 2014/30/UE 2011/65/UE.

Pour plus de détails, veuillez contacter Stanley Fat Max à l'adresse suivante ou vous reporter au dos du manuel.

Le soussigné est responsable de la compilation du fichier technique et fait cette déclaration au nom de Stanley Fat Max.

A. Smith

Technical Director

Stanley Fat Max Europe, 210 Bath Road, Slough,
Berkshire, SL1 3YD, Royaume Uni
15/01/2019

Garantie

Stanley Fat Max assure la qualité de ses produits et offre une garantie de 12 mois aux utilisateurs, à partir de la date d'achat. Cette garantie s'ajoute à vos droits légaux auxquels elle ne porte aucunement préjudice. Cette garantie est valable au sein des territoires des États membres de l'Union Européenne et au sein de la Zone européenne de libre-échange.

Pour prétendre à la garantie, la réclamation doit être en conformité avec les conditions générales de Stanley Fat Max

et vous devez fournir une preuve d'achat au vendeur ou au réparateur agréé. Les conditions générales de la garantie de 1 an Stanley Fat Max ainsi que l'adresse du réparateur agréé le plus proche sont disponibles sur le site Internet www.2helpU.com ou en contactant votre agence Stanley Fat Max locale à l'adresse indiquée dans ce manuel.

Accédez à notre site Internet www.stanley.eu/3 pour enregistrer votre nouveau produit Stanley Fat Max et être informé des nouveaux produits et des offres spéciales.

(Traduzione del testo originale)

ITALIANO

Uso previsto

La smerigliatrice angolare FMEG222 Stanley Fat Max è stata progettata per eseguire operazioni di smerigliatura e taglio di metalli e prodotti in muratura, utilizzando il tipo di disco di taglio e smerigliatura adatto. Questo elettrotensile è stato progettato per uso professionale e privato e per utenti non professionisti.

Istruzioni di Sicurezza

Avvertenze generali di sicurezza per gli elettrotensili



Avvertenza! Leggere attentamente tutte le avvertenze e le istruzioni. La mancata osservanza delle avvertenze e istruzioni seguenti potrebbe causare scosse elettriche, incendi e/o gravi lesioni personali.

Conservare tutte le avvertenze e le istruzioni per consultazioni future. Il termine "elettrotensile" utilizzato nelle avvertenze fa riferimento sia agli apparati alimentati a corrente (con cavo elettrico), sia a quelli a batteria (senza cavo).

1. Sicurezza dell'area di lavoro

- Tenere pulita e ben illuminata l'area di lavoro.** Gli ambienti disordinati o scarsamente illuminati favoriscono gli incidenti.
- Non azionare gli elettrotensili in ambienti con atmosfera esplosiva, come quelli in presenza di liquidi, gas o polveri infiammabili.** Gli elettrotensili producono scintille che possono incendiare le polveri o i fumi.

- c. **Durante l'uso di un elettroutensile, tenere lontani i bambini e chiunque si trovi nelle vicinanze.** Le distrazioni possono provocare la perdita di controllo.
2. **Sicurezza elettrica**
- a. **Le spine dell'elettroutensile devono essere adatte alla presa di alimentazione. Non modificare la spina in alcun modo. Non collegare un adattatore alla spina di un elettroutensile dotato di scarico a terra.** Per ridurre il rischio di scossa elettrica evitare di modificare le spine e utilizzare sempre le prese appropriate.
- b. **Evitare il contatto con superfici collegate a terra, quali tubature, termosifoni, fornelli e frigoriferi.** Se il proprio corpo entra in contatto con superfici collegate a terra, il rischio di scossa elettrica aumenta.
- c. **Non esporre gli elettroutensili alla pioggia o all'umidità.** Se l'acqua entra nell'elettroutensile aumenta il rischio di scossa elettrica.
- d. **Non maltrattare il cavo elettrico. Non utilizzare mai il cavo per spostare, tirare o scollegare l'elettroutensile. Tenere il cavo elettrico lontano da fonti di calore, olio, bordi taglienti o parti in movimento.** Se il cavo è danneggiato o impigliato, il rischio di scossa elettrica aumenta.
- e. **Quando l'elettroutensile viene impiegato all'aperto, utilizzare unicamente cavi di prolunga previsti per esterni.** L'uso di un cavo elettrico adatto ad ambienti esterni riduce il rischio di scossa elettrica.
- f. **Se non è possibile evitare l'uso di un elettroutensile in ambienti umidi, utilizzare una fonte di corrente protetta da un interruttore differenziale (salvavita).** L'uso di un interruttore differenziale riduce il rischio di scossa elettrica.
3. **Sicurezza personale**
- a. **Quando si utilizza un elettroutensile evitare di distrarsi. Prestare attenzione a quello che si sta facendo e utilizzare il buon senso. Non utilizzare l'elettroutensile quando si è stanchi o sotto l'effetto di droghe, alcool o medicinali.** Un solo attimo di distrazione durante l'uso di tali elettroutensili potrebbe provocare gravi lesioni personali
- b. **Indossare dispositivi di protezione individuale. Utilizzare sempre protezioni oculari.** L'uso di dispositivi di protezione, quali mascherine antipolvere, scarpe antinfortunistiche antiscivolo, caschi di sicurezza o protezioni uditive, in condizioni opportune consente di ridurre le lesioni personali.
- c. **Evitare l'avvio involontario. Assicurarsi che l'interruttore sia in posizione di spento prima inserire l'alimentazione elettrica e/o il pacco batteria e prima di afferrare o trasportare l'utensile.** Il trasporto di elettroutensili tenendo il dito sull'interruttore o quando sono collegati alla rete elettrica con l'interruttore nella posizione di accesso provoca incidenti.
- d. **Prima di accendere l'elettroutensile, rimuovere eventuali chiavi o utensili di regolazione.** Un utensile di regolazione o una chiave attaccati a una parte rotante dell'elettroutensile possono provocare lesioni personali.
- e. **Non sbilanciarsi. Mantenere sempre un appoggio e un equilibrio adeguati.** Ciò consente un migliore controllo dell'elettroutensile nelle situazioni impreviste.
- f. **Usare il vestiario appropriato. Non indossare abiti larghi o gioielli. Tenere i capelli, i vestiti e i guanti lontano dalle parti mobili.** Abiti larghi, gioielli o capelli lunghi possono impigliarsi nelle parti in movimento.
- g. **Se gli elettroutensili sono forniti di collegamento con impianti di aspirazione e raccolta delle polveri, assicurarsi che siano collegati e utilizzati correttamente.** La raccolta delle polveri può ridurre i pericoli legati a queste ultime.
4. **Uso e cura degli elettroutensili**
- a. **Non forzare l'elettroutensile. Utilizzare un elettroutensile adatto al lavoro da eseguire.** L'elettroutensile lavora meglio e con maggior sicurezza se utilizzato in base all'uso previsto.
- b. **Non utilizzare l'elettroutensile se l'interruttore non ne permette l'accensione o lo spegnimento.** Qualsiasi elettroutensile che non possa essere controllato tramite l'interruttore è pericoloso e deve essere riparato.
- c. **Staccare la spina dall'alimentazione elettrica e/o il pacco batteria dell'elettroutensile prima di effettuare qualsiasi tipo di regolazione, prima di cambiare gli accessori o di riporlo.** Queste misure di sicurezza preventive riducono il rischio di azionare l'apparato accidentalmente.
- d. **Riporre gli elettroutensili non utilizzati fuori dalla portata dei bambini ed evitarne l'uso da parte di persone che hanno poca familiarità con l'elettroutensile e con le presenti istruzioni.** Gli elettroutensili sono pericolosi in mano a persone inesperte.
- e. **Eseguire una manutenzione adeguata degli elettroutensili. Verificare il cattivo allineamento e inceppamento di parti mobili, la rottura di componenti e ogni altra condizione che possa influire sul funzionamento degli elettroutensili. Se danneggiato, far riparare l'elettroutensile prima dell'uso.** Molti incidenti sono provocati da elettroutensili non sottoposti a una corretta manutenzione.
- f. **Mantenere gli utensili da taglio affilati e puliti.** La manutenzione corretta degli utensili da taglio con bordi affilati riduce le probabilità di inceppamento e ne facilita il controllo.

- g. **Utilizzare l'elettrotensile, gli accessori, le punte ecc., rispettando le presenti istruzioni e tenendo in considerazione le condizioni di funzionamento e il lavoro da eseguire.** L'utilizzo dell'elettrotensile per impieghi diversi da quelli previsti può provocare situazioni di pericolo.

5. Assistenza

- a. **L'elettrotensile deve essere riparato da personale qualificato, che utilizzi ricambi originali identici alle parti da sostituire.** In questo modo viene garantita la sicurezza dell'elettrotensile.

Avvertenze di sicurezza aggiuntive per gli elettrotensili



Avvertenza! Avvertenze di sicurezza aggiuntive per le operazioni di smerigliatura o taglio abrasivo.

- ◆ **Questo elettrotensile è destinato all'uso come smerigliatrice utensile di taglio. Leggere attentamente tutte le avvertenze, istruzioni, illustrazioni e specifiche fornite con l'apparato.** La mancata osservanza delle istruzioni seguenti può dar luogo a scossa elettrica, incendio e/o lesioni gravi.
- ◆ **Con questo elettrotensile non è consigliabile eseguire lavorazioni di sabbiatura, spazzolatura e lucidatura.** L'esecuzione di lavorazioni per le quali l'elettrotensile non è stato progettato comporta dei rischi e può causare lesioni personali.
- ◆ **Non utilizzare accessori non progettati appositamente o non consigliati dal produttore dell'elettrotensile.** Anche se un accessorio può essere collegato all'elettrotensile, ciò non ne garantisce la sicurezza di utilizzo.
- ◆ **La velocità nominale dell'accessorio deve essere almeno pari alla velocità massima indicata sull'elettrotensile.** Gli accessori fatti funzionare a una velocità superiore a quella nominale possono rompersi e disintegrarsi.
- ◆ **Il diametro esterno e lo spessore dell'accessorio devono rientrare nei limiti previsti per l'elettrotensile.** Non è possibile proteggere o controllare adeguatamente gli accessori di dimensioni errate.
- ◆ **L'attacco filettato degli accessori deve corrispondere alla filettatura del mandrino della smerigliatrice. Per gli accessori montati tramite flange, il foro dell'albero dell'accessorio deve corrispondere al diametro di posizionamento della flangia.** Gli accessori che non corrispondono alla struttura di montaggio dell'apparato non mantengono l'equilibrio, vibrano eccessivamente e possono causare la perdita di controllo.
- ◆ **Non utilizzare accessori danneggiati. Prima di ogni utilizzo controllare gli accessori affinché sulle mole diamantate non vi siano scheggiature e lesioni e non siano presenti crepe o segni eccessivi di usura sul platorello.**
- ◆ **Se l'elettrotensile o l'accessorio è caduto, verificare eventuali danni o installare un accessorio non danneggiato. Dopo aver ispezionato o installato un accessorio, verificare che l'operatore e le altre persone siano lontane dal piano dell'accessorio in rotazione e far girare l'apparato a vuoto alla massima velocità per un minuto.** Gli accessori danneggiati normalmente si rompono durante questa fase di verifica.
- ◆ **Indossare dispositivi di protezione individuale. A seconda delle operazioni, utilizzare una maschera o occhiali di protezione. Se opportuno, indossare una mascherina antipolvere, protezioni acustiche, guanti e un grembiule da lavoro in grado di arrestare frammenti abrasivi o di lavorazione di piccole dimensioni.** La protezione oculare deve impedire ai detriti volanti generati dalle varie operazioni di raggiungere gli occhi. La maschera antipolvere o il respiratore devono essere in grado di filtrare le particelle generate dalle operazioni. L'esposizione prolungata a rumori di alta intensità può causare la perdita dell'udito.
- ◆ **Tenere i non addetti ai lavori a distanza di sicurezza dalla zona di lavoro. Chiunque acceda alla zona di lavoro deve indossare abbigliamento di protezione adeguato.** Frammenti del pezzo da lavorare o di un accessorio rotto possono volare via e causare lesioni al di là dell'immediata area di lavoro.
- ◆ **Sostenere l'elettrotensile soltanto mediante supporti dotati di superfici isolanti, quando si eseguono operazioni in cui l'accessorio di taglio potrebbe toccare cavi elettrici nascosti o il proprio cavo di alimentazione.** Gli accessori da taglio che vengono a contatto con un cavo sotto tensione trasmettono la corrente elettrica anche alle parti metalliche esposte dell'elettrotensile e possono provocare la folgorazione dell'operatore.
- ◆ **Posizionare il cavo lontano dall'accessorio in rotazione.** In caso di perdita di controllo, il cavo può essere tagliato o impigliato e potrebbe avere una forza tale da trascinare la mano o il braccio dell'operatore verso l'accessorio in rotazione.
- ◆ **Non appoggiare mai l'elettrotensile finché l'accessorio non si è completamente arrestato.** L'accessorio in rotazione potrebbe fare presa sulla superficie e trascinare l'elettrotensile, facendone perdere il controllo.
- ◆ **Non azionare l'elettrotensile mentre lo si trasporta sul fianco.** Un contatto accidentale con l'accessorio in

rotazione può farlo impigliare ai vestiti e trascinarlo verso il corpo dell'operatore.

◆ **Pulire regolarmente le prese d'aria dell'elettrotensile.**

La ventola del motore può attirare la polvere all'interno dell'alloggiamento e l'accumulo eccessivo di metallo polverizzato può causare pericoli elettrici.

◆ **Non utilizzare l'elettrotensile vicino a materiali infiammabili.** Le scintille possono far incendiare i materiali.

◆ **Non utilizzare accessori che richiedono refrigeranti liquidi.** L'utilizzo di acqua o altri liquidi refrigeranti può provocare elettrocuzione o scosse elettriche.

Nota: l'avvertenza riportata sopra non si applica agli elettrotensili specificamente progettati per l'uso con un sistema di raffreddamento a liquido.

Rimbalzo e relative avvertenze

Il rimbalzo è una reazione improvvisa provocata da mole, platorelli, spazzole o qualsiasi altro accessorio in rotazione che rimanga pinzato o impigliato. Ciò provoca un arresto immediato dell'accessorio rotante, che, a sua volta, causa la perdita di controllo dell'elettrotensile. Quest'ultimo viene spinto nella direzione opposta rispetto alla rotazione dell'accessorio nel punto in cui è stato trattenuto.

Ad esempio, se un disco abrasivo è impigliato o pinzato dal pezzo da lavorare, il bordo della mola penetrato nel punto pinzato può scavare nel materiale e causare lo scavalcamento o il rimbalzo della mola. La mola può saltare sia verso l'operatore che in direzione opposta, a seconda della direzione del movimento della mola nel punto pinzato. In queste condizioni è possibile che i dischi abrasivi si spezzino.

Il rimbalzo è il risultato di un uso sbagliato dell'elettrotensile e/o di metodi o condizioni di lavoro scorretti e può essere evitato prendendo le appropriate precauzioni, come descritto di seguito:

- ◆ **Mantenere una salda presa sull'elettrotensile e scegliere una posizione per corpo e braccia che sia in grado di resistere alle forze di rimbalzo. Utilizzare sempre l'impugnatura ausiliaria, se presente, per offrire la massima resistenza al rimbalzo o alla reazione di coppia durante l'avviamento.** L'operatore può frenare la reazione di coppia o la forza di rimbalzo, se vengono prese le precauzioni adatte.
- ◆ **Non porre mai le mani vicino all'accessorio in rotazione.** L'accessorio potrebbe rimbalzare sulle mani dell'operatore.
- ◆ **L'operatore non deve posizionarsi nella zona in cui si potrebbe dirigere l'elettrotensile in caso di rimbalzo.** Il rimbalzo spinge l'elettrotensile nella direzione opposta al movimento della mola nel punto in cui si impiglia.

- ◆ **Prestare particolare attenzione quando si lavorano angoli, estremità appuntite, ecc. Evitare di far rimbalzare o impigliare l'accessorio.** Angoli, estremità appuntite o rimbalzi tendono a fare impigliare l'accessorio in rotazione e a causare la perdita di controllo o il rimbalzo dell'elettrotensile.
- ◆ **Non collegare una lama da motosega per legno o una lama da sega dentata.** Queste lame creano rimbalzi e perdita di controllo frequenti.

Avvertenze di sicurezza specifiche per operazioni di smerigliatura e taglio abrasivo

- ◆ **Usare esclusivamente i tipi di mola raccomandati per il proprio elettrotensile e le protezioni specifiche progettate per la mola selezionata.** Le mole non concepite per l'elettrotensile non possono essere protette adeguatamente e non sono sicure.
- ◆ **La superficie di smerigliatura delle mole premute al centro deve essere montata al di sotto del piano della linguetta di protezione.** Non è possibile fornire una protezione adeguata a una mola non montata correttamente che sporge attraverso il piano della linguetta di protezione.
- ◆ **La protezione deve essere fissata saldamente all'elettrotensile e posizionata per garantire la massima sicurezza, in modo che la mola sporga il meno possibile verso l'operatore.** La protezione serve per proteggere l'operatore da frammenti di mole spezzate, da un contatto accidentale con la mola e dalle scintille che potrebbero incendiare gli indumenti.
- ◆ **Le mole vanno usate solo nelle operazioni per cui sono raccomandate. Per esempio, non si deve eseguire una lavorazione di smerigliatura con la mola da taglio abrasivo.** Le mole da taglio abrasivo sono progettate per la smerigliatura periferica. Forze laterali applicate a queste mole possono causarne la frantumazione.
- ◆ **Per le mole utilizzare sempre flange non danneggiate, della dimensione e forma corrette per quella mola.** Se le flange sono adeguate, supportano la mola e ne riducono la possibilità di rottura. Le flange per le mole da taglio abrasivo possono differire da quelle per le mole smerigliatrici.
- ◆ **Non utilizzare mole usurate di elettrotensili più potenti.** Le mole progettate per elettrotensili più potenti non sono adatte alle maggiori velocità degli elettrotensili più piccoli e si possono spaccare.

Avvertenze di sicurezza aggiuntive specifiche per operazioni di taglio abrasivo

- ◆ **Non far incastrare la mola di taglio e non applicare un'eccessiva pressione. Non tentare di eseguire tagli troppo profondi.** Il sovraccarico della mola aumenta il

carico e la suscettibilità alla torsione o all'inceppamento della mola nel taglio, con la possibilità che si verifichi un rimbalzo o una rottura.

- ◆ **Non posizionarsi con il corpo allineato alla mola in rotazione, né dietro di essa.**
Quando la mola si muove nella direzione di allontanamento dal corpo, il possibile rimbalzo può spingere la mola in rotazione e l'elettrotensile proprio verso l'operatore.
- ◆ **Quando la mola si inceppa o quando un taglio si interrompe per qualsiasi ragione, spegnere l'elettrotensile e mantenerlo immobile fino al suo completo arresto. Non tentare mai di rimuovere la mola da taglio mentre è in movimento, altrimenti può rimbalzare.** Esaminare e adottare azioni correttive per eliminare le cause che inceppano la lama.
- ◆ **Non ricominciare l'operazione di taglio nel pezzo in lavorazione. Far raggiungere la massima velocità alla mola e poi rientrare con attenzione nel taglio.** La mola può incepparsi, scavalcare o rimbalzare se l'apparato elettrico viene riavviato quando ancora è dentro al pezzo in lavorazione.
- ◆ **Pannelli o altri pezzi di grandi dimensioni devono essere sorretti per minimizzare il rischio che la mola sia pinzata o che rimbalzi.** I pezzi più grandi tendono a incurvarsi sotto il loro stesso peso. Devono essere collocati dei supporti sotto al pezzo da lavorare vicino alla linea di taglio e all'estremità del pezzo, su entrambi i lati della mola.
- ◆ **Prestare ancora più attenzione quando si eseguono "tagli a tuffo" all'interno di pareti o di altre aree cieche.** La parte sporgente della mola potrebbe tagliare tubi del gas o dell'acqua, cavi elettrici o anche oggetti che possono provocare il rimbalzo.

Sicurezza altrui

- ◆ Questo elettrotensile può essere usato da bambini dagli 8 anni in su e da persone portatrici di handicap fisici, psichici o sensoriali o che non abbiano la dovuta esperienza o conoscenza, sempre che siano seguite o opportunamente istruite sull'uso sicuro e comprendano i pericoli inerenti.
- ◆ I bambini non devono giocare con l'elettrodomestico. Gli interventi di pulizia e di manutenzione da parte dell'utente non devono essere eseguiti da bambini senza supervisione.

Rischi residui

L'utilizzo dell'apparecchio può comportare altri rischi non contemplati negli avvisi di sicurezza qui riportati. Tali rischi possono sorgere a seguito di un uso prolungato o improprio, ecc. Pur osservando le norme di sicurezza e utilizzando dispositivi

di protezione adeguati, certi rischi non possono essere evitati. Sono inclusi:

- ◆ Lesioni causate o subite a seguito del contatto con parti rotanti/in movimento.
- ◆ Lesioni causate o subite durante la sostituzione di parti, lame o accessori.
- ◆ Lesioni causate dall'impiego prolungato di un elettrotensile. Quando si usa qualsiasi apparecchio per lunghi periodi, accertarsi di fare regolarmente delle pause.
- ◆ Menomazioni uditive.
- ◆ Rischi per la salute causati dall'aspirazione di polvere generata dall'utilizzo dell'elettrotensile (ad esempio quando si lavora con il legno, in modo particolare quello di quercia, faggio o l'MDF.)

Vibrazioni

I valori dichiarati delle emissioni di vibrazioni, indicati nei dati tecnici e nella dichiarazione di conformità del presente manuale, sono stati misurati in base al metodo di test standard previsto dalla normativa EN60745 e possono essere usati come paragone tra un attrezzo e un altro. Il valore delle emissioni di vibrazioni dichiarato può anche essere usato come valutazione preliminare dell'esposizione.

Avvertenza! Il valore delle emissioni di vibrazioni durante l'impiego effettivo dell'elettrotensile può variare da quello dichiarato a seconda delle modalità d'uso. Il livello delle vibrazioni può aumentare oltre quello dichiarato.

Quando si valuta l'esposizione alle vibrazioni per determinare le misure di sicurezza richieste dalla normativa 2002/44/CE destinata alla protezione delle persone che usano regolarmente gli elettrotensili nello svolgimento delle proprie mansioni, è necessario prendere in considerazione le condizioni effettive di utilizzo e il modo in cui l'utensile è usato, oltre a tenere in conto tutte le componenti del ciclo operativo, vale a dire i periodi in cui l'elettrotensile è spento, quelli in cui è acceso ma a riposo e quelli in cui è effettivamente utilizzato.

Etichette sull'apparato

Sull'elettrotensile compaiono i seguenti pittogrammi insieme al codice data:



Avvertenza! per ridurre il rischio di lesioni, l'utente deve leggere il manuale di istruzioni.



Quando si utilizza questo elettrotensile indossare occhiali di protezione.



Quando si utilizza questo elettrotensile indossare protezioni acustiche.

Sicurezza elettrica



Il doppio isolamento di cui è provvisto questo elettroutensile rende superfluo il cavo di terra. La fornitura del voltaggio e della corrente deve essere conforme alle specifiche indicate sulla targa.

- ◆ Se il cavo di alimentazione è danneggiato, deve essere sostituito dal produttore o da un Centro di assistenza autorizzato Stanley Fat Max per evitare rischi.

Caratteristiche

Questo elettroutensile include alcune delle seguenti caratteristiche.

1. Interruttore acceso/spento
2. Pulsante di sblocco
3. Pulsante di blocco
4. Impugnatura laterale
5. Blocco dell'alberino
6. Riparo

Assemblaggio

Avvertenza! Prima dell'assemblaggio assicurarsi che l'elettroutensile sia spento e scollegato dalla presa di corrente.

Montaggio e rimozione della protezione (Figg. A e B)

L'elettroutensile viene fornito con una protezione concepita esclusivamente per le operazioni di smerigliatura. Se l'unità è intesa per l'esecuzione di operazioni di taglio, deve essere montata una protezione specifica per tali operazioni. È disponibile una protezione specifica per le operazioni di taglio (codice pezzo 1004484-01), che può essere acquistata presso i centri di assistenza Stanley Fat Max.

Montaggio

- ◆ Posizionare l'elettroutensile su un banco, con l'alberino (7) rivolto verso l'alto.
- ◆ Infilare la rondella elastica (8) sopra l'alberino e posizionarla sullo spallamento.
- ◆ Posizionare la protezione (6) sull'elettroutensile, come illustrato.
- ◆ Sistemare la flangia (9) sull'alberino con le piccole sporgenze rivolte verso la protezione. Assicurarsi che i fori sulla flangia siano allineati con i fori delle viti.
- ◆ Fissare la flangia con le viti (10). Assicurarsi che le viti siano serrate saldamente e che la protezione non ruoti.

Rimozione

- ◆ Rimuovere le viti (10) con un cacciavite.
- ◆ Rimuovere la flangia (9), la protezione (6) e la rondella elastica (8). Riporre queste parti con attenzione.

Avvertenza! Non utilizzare mai l'elettroutensile senza la protezione installata.

Regolazione della protezione

La protezione può essere ruotata di 90°.

- ◆ Ruotare la protezione in base alle necessità.

Montaggio dell'impugnatura laterale

- ◆ Avvitare l'impugnatura laterale (4) in uno dei due fori di montaggio presenti nell'elettroutensile.

Avvertenza! Utilizzare sempre l'impugnatura laterale.

Montaggio e rimozione dei dischi per smerigliatura e taglio (Figg. C - E)

Utilizzare sempre il tipo di disco corretto per la lavorazione da eseguire. Utilizzare sempre dischi con diametro e calibro corretti (consultare i dati tecnici).

Montaggio

- ◆ Montare la protezione come descritto sopra.
- ◆ Posizionare la flangia interna (11) sull'alberino (7), come illustrato (Fig. C). Assicurarsi che la flangia sia posizionata correttamente sui lati piatti dell'alberino.
- ◆ Posizionare il disco (12) sull'alberino (7), come illustrato (Fig. C). Se il disco presenta una parte centrale sollevata (13), assicurarsi che quest'ultima sia rivolta verso la flangia interna.
- ◆ Accertarsi che il disco sia posizionato correttamente sulla flangia interna.
- ◆ Sistemare la flangia esterna (14) sull'alberino. Quando un disco per smerigliatura viene alzato, la parte centrale sollevata sulla flangia esterna deve essere rivolta verso il disco (A, Fig. D) Quando un disco per taglio viene alzato, la parte centrale sollevata sulla flangia esterna deve essere rivolta verso il disco (B, Fig. D).
- ◆ Mantenere premuto il blocco dell'alberino (5) e stringere la flangia esterna con una chiave a doppio foro (15) (Fig. E).

Rimozione

- ◆ Mantenere premuto il blocco dell'alberino (5) e allentare la flangia esterna (14) con una chiave a doppio foro (15) (Fig. E).
- ◆ Rimuovere la flangia esterna (14) il disco (12).

Uso

Avvertenza! Lasciare che l'elettroutensile funzioni al suo ritmo. Non sovraccaricarlo.

- ◆ Guidare il cavo con attenzione per evitare di tagliarlo accidentalmente.
- ◆ Essere preparati al fatto che, appena il disco per smerigliatura o di taglio tocca il pezzo da lavorare saranno sprigionate delle scintille.

- ◆ Posizionare sempre l'elettrotensile in modo che la protezione sia in grado di proteggere l'operatore dal disco per smerigliatura o di taglio in maniera ottimale.

Accensione e spegnimento

- ◆ Per accendere l'elettrotensile, premere il pulsante di sblocco (2) e successivamente l'interruttore acceso/spento (1).
- ◆ Per il funzionamento continuato, premere il pulsante di blocco (3) e rilasciare l'interruttore acceso/spento.
- ◆ Per spegnere l'elettrotensile, rilasciare l'interruttore acceso/spento. Per spegnere l'elettrotensile in funzionamento continuato, premere ancora una volta l'interruttore acceso/spento e rilasciarlo.

Avvertenza! Non spegnere l'elettrotensile mentre è sotto carico.

Funzione di avviamento lento

La funzione di avviamento lento consente una velocità di partenza rallentata per evitare il sobbalzo iniziale. Questa caratteristica è particolarmente utile quando si lavora in spazi ristretti.

Funzione No-Volt

La funzione No-Volt interrompe il riavvio della smerigliatrice senza l'attivazione e disattivazione dell'interruttore in caso di interruzione dell'alimentazione.

Suggerimenti per un utilizzo ottimale

- ◆ Tenere saldamente l'elettrotensile con una mano intorno all'impugnatura laterale e l'altra intorno all'impugnatura principale (Fig. F).
- ◆ Durante la smerigliatura mantenere sempre un'angolazione di circa 15° tra il disco e la superficie del pezzo in lavorazione.

Manutenzione

L'elettrotensile Stanley Fat Max con/senza cavo è stato progettato per funzionare a lungo con una manutenzione minima. Prestazioni sempre soddisfacenti dipendono da una cura appropriata e da una pulizia regolare.

Avvertenza! Prima di eseguire qualsiasi intervento di manutenzione sugli elettrotensili con/senza cavo:

- ◆ Spegnerlo o scollegare l'elettrotensile dalla presa di alimentazione.
- ◆ Oppure spegnere e rimuovere la batteria dall'elettrotensile, se quest'ultimo è dotato di un pacco batteria separato.
- ◆ Oppure lasciare che la batteria si esaurisca completamente, se integrata nell'elettrotensile, quindi spegnerlo.

- ◆ Prima di pulire il caricabatterie scollegarlo dalla presa di alimentazione. Il caricabatterie non richiede alcuna manutenzione, fuorché una pulizia regolare.
- ◆ Pulire regolarmente le prese di ventilazione dell'elettrotensile/del caricabatterie con un pennello o con un panno morbido e asciutto.
- ◆ Pulire regolarmente il vano del motore con un panno umido. Non utilizzare materiali abrasivi o detergenti a base di solventi.
- ◆ Aprire regolarmente il mandrino (se montato) e picchiettarlo per rimuovere la polvere dall'interno.

Protezione dell'ambiente



Raccolta differenziata. I prodotti e le batterie contrassegnati con questo simbolo devono essere smaltiti con i rifiuti domestici normali.

I prodotti e le batterie contengono materiali che possono essere recuperati e riciclati, riducendo il fabbisogno di materie prime. Riciclare i prodotti e le batterie in base alle normative locali pertinenti.

Dati tecnici

		FMEG222 Tipo
Tensione d'ingresso	V_{AC}	230
Potenza assorbita	W	1.200
Velocità nominale	min^{-1}	11.000
Diametro del disco	mm	125
Calibro del disco	mm	22
Spessore massimo del disco		
Dischi per smerigliatura	mm	6
Dischi di taglio	mm	3,5
Dimensione alberino		M14
Peso	kg	2,7

Livello di pressione sonora misurato in base a EN 60745:

L_{pA} (pressione sonora) 91,0 dB(A), Incertezza (K) 3 dB(A)

L_{WA} (potenza sonora) 102,0 dB(A), Incertezza (K) 3 dB(A)

Valori totali di vibrazione (somma dei tre valori assiali) calcolati in base alla normativa EN60745:

Smerigliatura di superficie ($a_{n,sc}$) 8,2 m/s^2 , incertezza (K) 1,5 m/s^2

Dichiarazione di conformità CE

DIRETTIVA MACCHINE



Smerigliatrice angolare FMEG222

Stanley Fat Max dichiara che i prodotti descritti nei "Dati tecnici" sono conformi alle normative:

EN60745-1:2009 +A11:2010; EN60745-2-3:2011+A2:2012
+A11:2014+A12:2014+A13:2015

Questi prodotti sono conformi alle Direttive
2006/42/CE, 2014/30/UE 2011/65/UE.

Per ulteriori informazioni, contattare Stanley Fat Max
all'indirizzo seguente o vedere sul retro del manuale.

Il firmatario è responsabile della compilazione del documento
tecnico e rende questa dichiarazione per conto di
Stanley Fat Max.



A. Smith
Technical Director
Stanley Fat Max Europe, 210 Bath Road, Slough,
Berkshire, SL1 3YD, Regno Unito
15/01/2019

Garanzia

Stanley Fat Max è sicura della qualità dei propri prodotti e offre ai consumatori una garanzia di 12 mesi dalla data di acquisto. Il presente certificato di garanzia è complementare ai diritti legali e non li pregiudica in alcun modo. La garanzia è valida sui territori degli stati membri dell'Unione Europea e dell'EFTA (Associazione europea di libero scambio).

Per attivare la garanzia, il reclamo deve essere effettuato in accordo con i Termini e Condizioni Stanley Fat Max e sarà necessario presentare la prova di acquisto al venditore o all'agente di riparazione autorizzato. I Termini e condizioni della garanzia Stanley Fat Max di 1 anno e la sede dell'agente di riparazione autorizzato più vicino sono consultabili su Internet all'indirizzo www.2helpU.com, o contattando l'ufficio Stanley Fat Max di zona all'indirizzo indicato in questo manuale.

Visitare il nostro sito www.stanley.eu/3 per registrare il nuovo prodotto Stanley Fat Max e ricevere gli aggiornamenti sui nuovi prodotti e le offerte speciali.

Bedoeld gebruik

Uw haakse slijper Stanley Fat Max FMEG222 is ontworpen voor het slijpen en doorslijpen van metaal en metselwerk, met het juiste type zaag- of slijpschijf. Wanneer het gereedschap is bedoeld voor professionele gebruikers en voor privé-gebruik.

Instructies voor de veiligheid

Algemene veiligheidswaarschuwingen voor elektrisch gereedschap



Waarschuwing! Lees alle veiligheidswaarschuwingen en alle instructies. Het niet opvolgen van de hieronder vermelde waarschuwingen en instructies kan leiden tot een elektrische schok, brand en/of ernstig persoonlijk letsel.

Bewaar alle waarschuwingen en instructies zodat u deze later ook kunt raadplegen. De term "elektrisch gereedschap" in de hieronder vermelde waarschuwingen verwijst naar uw (met een snoer) op de netspanning aangesloten elektrische gereedschap of naar (draadloos) elektrisch gereedschap met een accu.

1. Veiligheid op de werkplek

- a. **Houd het werkgebied schoon en goed verlicht.** Op rommelige of donkere plekken kunnen gemakkelijk ongelukken gebeuren.
- b. **Bedien elektrisch gereedschap niet in een explosieve omgeving, zoals in de nabijheid van ontvlambare vloeistoffen, gassen of stof.** Elektrisch gereedschap veroorzaakt vonken die het stof of de dampen kunnen doen ontbranden.
- c. **Houd kinderen en omstanders op een afstand wanneer u elektrisch gereedschap bedient.** Als u wordt afgeleid, kunt u de controle over het gereedschap verliezen.

2. Elektrische veiligheid

- a. **Stekkers van elektrisch gereedschap moeten in het stopcontact passen. Pas de stekker nooit op enige wijze aan. Gebruik geen adapterstekkers met geaard elektrisch gereedschap.** Niet-aangepaste stekkers en passende contactdozen verminderen het risico van een elektrische schok.
- b. **Vermijd lichamelijk contact met geaarde oppervlakken zoals buizen, radiatoren, fornuizen en ijskasten.** Er bestaat een verhoogd risico op een elektrische schok als uw lichaam geaard is.
- c. **Stel elektrisch gereedschap niet bloot aan regen of natte omstandigheden.** Als er water elektrisch gereedschap binnendringt, verhoogt dit het risico van een elektrische schok.

- d. **Behandel het stroomsnoer voorzichtig. Draag het elektrisch gereedschap nooit aan het snoer, trek het gereedschap nooit aan het snoer naar u toe, en trek de stekker nooit aan het snoer uit het stopcontact. Houd het snoer uit de buurt van warmte, olie, scherpe randen of bewegende onderdelen.** Beschadigde snoeren of snoeren die in de war zijn geraakt, verhogen het risico van een elektrische schok.
- e. **Gebruik, wanneer u buiten met het elektrisch gereedschap werkt, een verlengsnoer dat geschikt is voor gebruik buitenshuis.** Het gebruik van een verlengsnoer dat geschikt is voor werken buitenshuis, vermindert het risico van een elektrische schok.
- f. **Als het werken met elektrisch gereedschap op een vochtige locatie onvermijdelijk is, zorg er dan voor dat de stroomvoorziening beveiligd is met een aardlekschakelaar.** Het gebruik van een aardlekschakelaar vermindert het risico van een elektrische schok.
3. **Persoonlijke veiligheid**
- a. **Blijf alert, kijk wat u doet en gebruik uw gezonde verstand wanneer u met elektrisch gereedschap werkt. Gebruik het gereedschap niet wanneer u vermoeid bent of onder invloed van drugs, alcohol of medicatie.** Een moment van onoplettendheid tijdens het bedienen van elektrische gereedschap kan leiden tot ernstig persoonlijk letsel.
- b. **Gebruik een beschermende uitrusting. Draag altijd oogbescherming.** Beschermende uitrusting, zoals een stofmasker, antislip veiligheidsschoenen, een helm, of gehoorbescherming, gebruikt in de juiste omstandigheden, zal het risico van persoonlijk letsel verminderen.
- c. **Zorg ervoor dat het gereedschap niet per ongeluk kan worden gestart. Controleer dat de schakelaar in de stand Uit (Off) staat voordat u het gereedschap aansluit op de stroombron en/of de accu plaatst en voordat u het gereedschap oppakt en draagt.** Het dragen van elektrisch gereedschap met uw vinger op de schakelaar of het van stroom voorzien van elektrisch gereedschap waarvan de schakelaar in de stand Aan staat, kan gemakkelijk leiden tot ongelukken.
- d. **Verwijder alle stelsleutels of moersleutels voordat u het elektrisch gereedschap inschakelt.** Een moersleutel of stelsleutel die in een ronddraaiend onderdeel van het elektrische gereedschap is achtergebleven, kan persoonlijk letsel veroorzaken.
- e. **Reik niet buiten uw macht. Blijf altijd stevig en in balans op de grond staan.** Dit zorgt voor betere controle van het elektrisch gereedschap in onverwachte situaties.
- f. **Draag de juiste kleding. Draag geen loszittende kleding of sieraden. Houd uw haar, kleding en handschoenen uit de buurt van bewegende onderdelen.** Loszittende kleding, sieraden of lang haar kunnen door bewegende delen worden gegrepen.
- g. **Als er mogelijkheden zijn voor het aansluiten van apparatuur voor stofverwijdering, zorg er dan voor dat deze goed wordt aangesloten en gebruikt.** Het gebruik van stofafzuiging kan aan stof gerelateerde gevaren verminderen.
4. **Gebruik en verzorging van elektrisch gereedschap**
- a. **Forceer het gereedschap niet. Gebruik het juiste elektrisch gereedschap voor uw toepassing.** Het juiste elektrisch gereedschap voert de werkzaamheden waarvoor het is ontworpen, beter en veiliger uit.
- b. **Gebruik het gereedschap niet als de schakelaar het niet aan en uit kan zetten.** Ieder gereedschap dat niet met de schakelaar kan worden bediend, is gevaarlijk en moet worden gerepareerd.
- c. **Haal de stekker uit het stopcontact en/of neem de accu uit het gereedschap voordat u aanpassingen uitvoert, accessoires verwisselt, of het elektrisch gereedschap opbergt.** Dergelijke preventieve veiligheidsmaatregelen verminderen het risico dat het elektrische gereedschap per ongeluk opstart.
- d. **Berg elektrisch gereedschap dat niet wordt gebruikt, op buiten het bereik van kinderen en laat niet personen die onbekend zijn met het elektrisch gereedschap of deze instructies het gereedschap bedienen.** Elektrisch gereedschap zijn gevaarlijk in handen van ongetrainde gebruikers.
- e. **Onderhoud elektrisch gereedschap. Controleer op verkeerde uitlijning en het aanlopen van bewegende onderdelen, breuk van onderdelen en andere omstandigheden die de werking van het elektrisch gereedschap nadelig kunnen beïnvloeden.** Laat het gereedschap voor gebruik repareren, als het is beschadigd. Veel ongelukken worden veroorzaakt doordat elektrisch gereedschap niet goed is onderhouden.
- f. **Houd zaaggereedschap scherp en schoon.** Goed onderhouden zaaggereedschap met scherpe snijranden lopen minder snel vast en zijn gemakkelijker onder controle te houden.
- g. **Gebruik het elektrisch gereedschap, de accessoires en gereedschapsonderdelen enz. in overeenstemming met deze instructies, waarbij u rekening houdt met de werkomstandigheden en de uit te voeren werkzaamheden.** Gebruik van het elektrische gereedschap voor werkzaamheden die anders zijn dan het bedoelde gebruik, kunnen leiden tot een gevaarlijke situatie.
5. **Service**
- a. **Laat uw elektrisch gereedschap onderhouden door een erkende reparateur die uitsluitend identieke**

vervangende onderdelen gebruikt. Dit garandeert dat de veiligheid van het gereedschap behouden blijft.

Algemene veiligheidswaarschuwingen voor elektrisch gereedschap



Waarschuwing! Aanvullende veiligheidswaarschuwingen voor slijpen of zagen.

- ◆ Dit elektrisch gereedschap is bedoeld als slijpmachine of afkortgereedschap. Lees alle veiligheidswaarschuwingen, instructies, illustraties en specificaties die bij dit gereedschap zijn meegeleverd. Het niet opvolgen van alle onderstaande instructies kan leiden tot een elektrische schok, brand en/of ernstig persoonlijk letsel.
- ◆ Het wordt niet aanbevolen werkzaamheden zoals schuren, werken met een draadborstel en polijsten met dit elektrisch gereedschap uit te voeren. Werkzaamheden waarvoor het elektrisch gereedschap niet is ontworpen, kunnen leiden tot gevaarlijke situaties en lichamelijk letsel.
- ◆ Gebruik geen accessoires die niet speciaal ontworpen en aanbevolen zijn door de fabrikant van het gereedschap. Als u een accessoire op uw gereedschap kunt bevestigen, betekent dat nog niet dat u er gegarandeerd veilig mee kunt werken.
- ◆ Het nominale toerental van het accessoire moet tenminste gelijk zijn aan het maximale toerental zoals dit op het gereedschap staat vermeld. Accessoires die sneller draaien dan hun nominale toerental kunnen in stukken breken en deze stukken kunnen worden weggeslingerd.
- ◆ De buitendiameter en de dikte van uw accessoire moeten binnen het nominale vermogen van uw gereedschap liggen. Accessoires met een onjuiste grootte kunnen niet voldoende worden vastgemaakt of onder controle worden gehouden.
- ◆ Bij het monteren van accessoires moet de schroefdraad overeenkomen met die van de as van de slijpmachine. Voor accessoires die zijn gemonteerd door middel van flenzen moet het drevelgat van het accessoire passen bij de plaatsingsdiameter van de flens. Accessoires die niet passen op de bevestigingshardware van het gereedschap zullen uit balans raken en/of extreem trillen en kunnen u de beheersing over het gereedschap doen verliezen.
- ◆ Gebruik een accessoire niet als het beschadigd is. Controleer het accessoire, bijvoorbeeld een diamantschijf, voor gebruik steeds op beschadigingen en barsten en controleer het steunkussen op barsten, scheuren en excessieve slijtage.
- ◆ Als het gereedschap of het accessoire is gevallen, controleer het dan op schade of plaats een onbeschadigd accessoire. Na het inspecteren en plaatsen van een accessoire zorgt u ervoor dat u en omstanders uit de buurt van het bereik van het ronddraaiende accessoire blijven en laat u het gereedschap gedurende een minuut onbelast op maximale snelheid draaien. Beschadigde accessoires breken gewoonlijk af tijdens deze testtijd.
- ◆ Draag beschermende uitrusting. Gebruik afhankelijk van de toepassing gezichtsbedekking of bescherming van de ogen, zoals een veiligheidsbril. Draag, zo nodig, een stofmasker, gehoorbescherming, handschoenen en een werkschort die kleine afgeschuurde deeltjes of deeltjes van het werkstuk tegenhouden. De bescherming van de ogen moet rondvliegende deeltjes die door de diverse werkzaamheden vrijkomen, tegen kunnen houden. Het stofmasker moet in staat zijn deeltjes die door uw werkzaamheden vrijkomen te filteren. Langdurige blootstelling aan intense geluiden kan gehoorverlies veroorzaken.
- ◆ Houd omstanders op een veilige afstand van de werkplek. Iedereen die het werkgebied betreedt, moet persoonlijke beschermende kleding dragen. Brokstukken van het werkstuk of van een afgebroken accessoire kunnen worden weggeslingerd en letsel buiten het directe werkgebied veroorzaken.
- ◆ Houd het elektrisch gereedschap alleen vast aan geïsoleerde oppervlakken wanneer u een handeling uitvoert waarbij het accessoire van het zaaggereedschap in contact kan komen met verborgen bedrading of het eigen netsnoer. Accessoires van zaaggereedschap die in contact komen met bedrading waar spanning op staat, kunnen metalen onderdelen van het gereedschap onder stroom zetten en de gebruiker een elektrische schok geven.
- ◆ Plaats het netsnoer buiten het bereik van het ronddraaiende accessoire. Als u de controle verliest, wordt het snoer mogelijk doorgesneden of gegrepen en kan uw hand of arm in het draaiende accessoire worden getrokken.
- ◆ Leg het elektrisch gereedschap nooit neer voordat het accessoire volledig tot stilstand is gekomen. Het ronddraaiende accessoire kan mogelijk in contact met de oppervlakte komen waardoor u de controle over het gereedschap verliest.
- ◆ Laat het elektrisch gereedschap niet draaien terwijl u het aan uw zijde draagt. Wanneer uw kleding per ongeluk bekneeld raakt in het ronddraaiende accessoire, kan het accessoire tegen uw lichaam aan worden getrokken.

- ◆ **Maak de ventilatieopeningen van het gereedschap regelmatig schoon.** De ventilator van de motor zuigt het stof in de behuizing en extreme ophoping van metaaldeeltjes kan een elektrische schok veroorzaken.
- ◆ **Werk niet met het gereedschap in de buurt van ontvlambare materialen.** Vonken kunnen deze materialen doen ontbranden.
- ◆ **Gebruik geen accessoires waarvoor vloeibare koelmiddelen nodig zijn.** Het gebruik van water of andere vloeibare koelmiddelen kan een elektrische schok tot gevolg hebben.

Opmerking: De hierboven vermelde waarschuwing geldt niet voor elektrisch gereedschap dat is ontworpen voor gebruik met een vloeistofsysteem.

Terugslag en bijbehorende waarschuwingen

Terugslag is een plotselinge reactie op een ronddraaiende schijf, steunkussen, borstel of ander accessoire dat bekneld raakt of vastloopt. Beknelling of vastlopen veroorzaakt het snel tot stilstand komen van het ronddraaiende accessoire dat dan weer tot gevolg heeft dat het gereedschap ongecontroleerd in de tegenovergestelde richting van de draaiing van het accessoire wordt gedwongen op het punt van vastlopen.

Als bijvoorbeeld een slijpschijf vastloopt of bekneld raakt in het werkstuk, kan de rand van de schijf die bij het knelpunt in het oppervlak van het materiaal dringt, de schijf omhoog doen komen en op de gebruiker afsturen. De schijf kan naar de gebruiker toe of van hem vandaan springen, afhankelijk van de richting van de beweging van de schijf op het knelpunt. Slijpschijven kunnen onder deze omstandigheden ook afbreken.

Terugslag is het gevolg van een verkeerd gebruik en/of onjuiste gebruiksomstandigheden van het elektrisch gereedschap en kan worden voorkomen door geschikte voorzorgsmaatregelen te nemen, zoals hieronder vermeld:

- ◆ **Houd het gereedschap stevig vast en plaats uw lichaam en arm zo dat u terugslagkrachten kunt weerstaan.** Gebruik altijd een hulphandgreep, als deze is meegeleverd, voor maximale controle over terugslag of torsiereactie tijdens het opstarten. De gebruiker kan torsiereactie of terugslagkrachten controleren, als de juiste voorzorgsmaatregelen worden genomen.
- ◆ **Plaats uw handen nooit in de buurt van het ronddraaiende accessoire.** Het accessoire kan over uw hand terugslaan.
- ◆ **Plaats uw lichaam niet in het gebied waar het elektrisch gereedschap zich zal verplaatsen als terugslag optreedt.** Terugslag slingert het gereedschap

weg in de tegenovergestelde richting van de beweging van de schijf op het knelpunt.

- ◆ **Wees extra voorzichtig wanneer u aan hoeken, scherpe randen, enz. werkt.** Voorkom dat het accessoire wegspringt of vastloopt. Hoeken, scherpe randen en wegspringen kunnen er vaak toe leiden dat het ronddraaiende accessoire vastloopt en dat kan verlies van controle of terugslag veroorzaken.
- ◆ **Bevestig geen kettingzaagblad of getand zaagblad op het gereedschap.** Dergelijke zaagbladen veroorzaken vaak terugslag en verlies van controle.

Veiligheidswaarschuwingen speciaal voor slijp- en afkortwerkzaamheden:

- ◆ **Gebruik uitsluitend schijftypen die voor uw elektrisch gereedschap worden aanbevolen, en de specifieke beschermkap die is ontworpen voor de geselecteerde schijf.** Schijven waarvoor het elektrisch gereedschap niet is ontwikkeld, kunnen niet voldoende worden afgeschermd en zijn onveilig.
- ◆ **Het slijppoppervlak van de in het midden ingedrukte schijven moet worden gemonteerd onder het vlak van de beveiligingslip.** Een schijf die niet goed is gemonteerd en die uitsteekt door het vlak van de beveiligingslip, kan niet naar behoren worden afgeschermd.
- ◆ **De beschermkap moet stevig op het elektrisch gereedschap worden bevestigd en geplaatst, voor maximale veiligheid, zodat het gedeelte dat onafgeschermd is voor de gebruiker zo klein mogelijk is.** De beschermkap helpt de gebruiker te beschermen tegen afgebroken deeltjes van de schijf en voorkomt dat de gebruiker in contact komt met de schijf en met vonken die kleding in brand kunnen zetten.
- ◆ **Schijven mogen uitsluitend worden gebruikt voor de aanbevolen toepassingen.** Bijvoorbeeld: slijp niet met de zijkant van een afkortschijf. Schuur/afkortschijven zijn bedoeld voor rondom slijpen; zijwaartse krachten kunnen maken dat deze schijven uit elkaar spatten.
- ◆ **Gebruik altijd onbeschadigde flenzen van de juiste grootte en vorm voor de schijf van uw keuze.** De juiste schijfflenzen ondersteunen de schijf en verminderen zo de mogelijkheid van schijfbreuk. Flenzen voor afkortschijven kunnen verschillen van flenzen voor slijpschijven.
- ◆ **Gebruik geen versleten schijven die afkomstig zijn van groter elektrisch gereedschap.** Een schijf die is bedoeld voor groter elektrisch gereedschap, is niet geschikt voor de hogere snelheid van kleiner gereedschap en kan barsten.

Aanvullende veiligheidswaarschuwingen speciaal voor schuur/afkortwerk

- ◆ **Laat de afkortschijf niet "vastlopen" en oefen er niet te veel druk op uit.** Probeer niet een al te grote

zaagdiepte te bereiken. Het overbelasten van de schijf vergroot de belasting en ontvankelijkheid van verdraaien en vastlopen van de schijf in de zaagsnede, en de mogelijkheid van terugslag of schijfbreuk.

- ◆ **Plaats uw lichaam niet op een lijn met en achter de draaiende schijf.** Wanneer de schijf op het punt van de werking van het gereedschap van uw lichaam vandaan beweegt, kan de mogelijke terugslag de draaiende schijf doen wegschieten en het elektrisch gereedschap direct in uw richting sturen.
- ◆ **Wanneer de schijf blokkeert of wanneer een zaagsnede om welke reden dan ook, wordt onderbroken, schakel dan het elektrisch gereedschap uit en houd het zonder te bewegen vast totdat de schijf volledig tot stilstand is gekomen. Probeer nooit een afkortschijf uit de zaagsnede te verwijderen terwijl de schijf in beweging is, anders kan terugslag optreden.** Zoek naar de oorzaak van het vastlopen van de schijf en neem de juiste corrigerende maatregelen.
- ◆ **Start de zaagbewerking niet opnieuw in het werkstuk. Laat het wiel volledig op snelheid komen en steek het voorzichtig opnieuw in de zaagsnede.** Het wiel kan blokkeren, weglopen of terugslaan als het gereedschap opnieuw wordt opgestart in het werkstuk.
- ◆ **Ondersteun panelen of een ander groot werkstuk zodat het risico van vastlopen of terugslaan van de schijf minder groot is.** Grote werkstukken kunnen onder hun eigen gewicht doorzakken. De ondersteuning moet onder het werkstuk worden geplaatst, dicht bij de zaaglijn en de rand van het werkstuk, aan beide zijden van de schijf.
- ◆ **Ga extra voorzichtig te werk wanneer u “invallend” zaagt in bestaande muren of andere niet-zichtbare gedeelten.** De vooruitstekende schijf kan gas- of waterbuizen, elektrische bedrading of objecten raken die een terugslag veroorzaken.

Veiligheid van anderen

- ◆ Dit apparaat mag worden gebruikt door kinderen van 8 jaar en ouder en personen die lichamelijk of geestelijk minder valide zijn of die geen ervaring met of kennis van dit apparaat hebben, mits zij onder toezicht staan of instructies krijgen voor een veilige manier van gebruiken van het apparaat en inzicht hebben in de mogelijke gevaren.
- ◆ Kinderen mogen niet met het apparaat spelen. Laat kinderen nooit zonder toezicht het apparaat schoonmaken of onderhouden.

Overige risico's

Er kunnen zich bij het gebruik van dit gereedschap nog meer risico's voordoen, die mogelijk niet in de bijgesloten veiligheids waarschuwingen worden beschreven. Deze

risico's kunnen zich voordoen door onoordeelkundig gebruik, langdurig gebruik, enz.

Zelfs wanneer de veiligheidsvoorschriften in acht worden genomen en de veiligheidsvoorzieningen worden gebruikt, kunnen bepaalde risico's niet worden uitgesloten. Dit zijn onder meer:

- ◆ Verwondingen die worden veroorzaakt door aanraking van draaiende/bewegende onderdelen.
- ◆ Verwondingen die worden veroorzaakt bij het vervangen van onderdelen, zaagbladen of accessoires.
- ◆ Verwondingen die worden veroorzaakt door langdurig gebruik van gereedschap. Wanneer u langere periodes met het gereedschap werkt, kunt u het beste regelmatig een pauze nemen.
- ◆ Gehoorbeschadiging.
- ◆ Gezondheidsrisico's door het inademen van stof dat vrijkomt bij gebruik van uw gereedschap (bijv.: het werken met hout, vooral eiken, beuken en MDF.)

Trillingen

De aangegeven waarden voor trillingsemissie in de technische gegevens en de conformiteitsverklaring, zijn gemeten conform een standaardtestmethode die door EN 60745 wordt verstrekt. Hiermee kan het ene gereedschap met het andere worden vergeleken. De aangegeven waarde voor trillingsemissie kan ook worden gebruikt bij een voorlopige bepaling van blootstelling.

Waarschuwing! De waarde voor trillingsemissie tijdens het werkelijke gebruik van het gereedschap kan verschillen van de aangegeven waarde afhankelijk van de manieren waarop het gereedschap wordt gebruikt. Het trillingsniveau kan toenemen tot boven het aangegeven niveau.

Bij beoordeling van de blootstelling aan trillingen met het doel vast te stellen welke veiligheidsmaatregelen 2002/44/EG vereist ter bescherming van personen die tijdens hun werk regelmatig elektrisch gereedschap gebruiken, moet bij een inschatting van de blootstelling aan trillingen rekening worden gehouden met de werkelijke gebruiksomstandigheden en de manier waarop het gereedschap wordt gebruikt. Daarbij moet ook rekening worden gehouden met alle onderdelen van de bedrijfscyclus, zoals wanneer het gereedschap wordt uitgeschakeld en wanneer het gereedschap stationair loopt en ook de aanlooptijd.

Spanningsdalingen

Inschakelstroom veroorzaakt korte spanningsdalingen. Onder ongunstige omstandigheden in de stroomvoorziening kan dat gevolgen hebben voor andere apparatuur. Als systeemimpedantie van de stroomvoorziening lager is dan 0,424 Ω, zullen zich waarschijnlijk storingen in de stroomvoorziening voordoen.

Etiketten op het gereedschap

De volgende pictogrammen worden samen met de datumcode op het gereedschap getoond:



Waarschuwing! Beperk het risico van letsel, de gebruiker moet de instructiehandleiding lezen.



Draag een veiligheidsbril wanneer u met dit gereedschap werkt.



Draag gehoorbescherming wanneer u met dit gereedschap werkt.

Elektrische veiligheid



Dit gereedschap is dubbel geïsoleerd; een aarddraad is daarom niet vereist. Controleer altijd de stroomvoorziening overeenkomst met de voltage op het typeplaatje.

- ◆ Als het netsnoer is beschadigd, moet het worden vervangen door de fabrikant of door een geautoriseerd Stanley Fat Max-servicecentrum, zodat gevaarlijke situaties worden vermeden.

Functies

Dit gereedschap is voorzien van enkele van de volgende functies of alle volgende functies.

1. Aan/Uit-schakelaar
2. Vergrendeling aan/uit-knop in de Uit-stand
3. Vergrendeling aan/uit-knop in de Aan-stand
4. Zijhandgreep
5. Spindelvergrendeling
6. Beschermkap

Montage

Waarschuwing! Controleer voorafgaand aan montage vooral dat het gereedschap is uitgeschakeld en de stekker van het netsnoer uit het stopcontact is getrokken.

De beschermkap monteren en verwijderen (afb. A & B)

Dit gereedschap is voorzien van een beschermkap die is uitsluitend bedoeld voor slijptoeepassingen. Als de unit bedoeld is voor afkortoepassingen, moet een beschermkap speciaal voor die toepassing worden gemonteerd.

Er is een geschikte beschermkap voor afkortoepassingen, onderdeelnummer 1004484-01, leverbaar en kan worden besteld bij Stanley Fat Max-servicecentra.

Monteren

- ◆ Plaats het gereedschap op een tafel met de as (7) omhoog.

- ◆ Plaats de veerring (8) over de as en positioneer de ring op de schouder.
- ◆ Schuif de beschermkap (6) op het gereedschap, zoals wordt getoond.
- ◆ Plaats de flens (9) over de as met de vooruitstekende punten naar de beschermkap toe. Controleer dat de gaten in de flens tegenover de schroefgaten uitkomen.
- ◆ Zet de flens vast met de schroeven (10). Controleer dat de schroeven goed zijn aangedraaid en dat de beschermkap kan worden gedraaid.

Losnemen

- ◆ Draai de schroeven uit met een schroevendraaier (10).
- ◆ Neem de flens (9), beschermkap (6) en veerring (8) los. Berg deze onderdelen goed op.

Waarschuwing! Gebruik het gereedschap nooit zonder de beschermkap.

De beschermkap afstellen

De beschermkap kan 90° draaien.

- ◆ Draai de beschermkap in de gewenste stand.

De zijhandgreep monteren

- ◆ Schroef de zijhandgreep (4) stevig in één van de montage-openingen in het gereedschap.

Waarschuwing! Gebruik de zijhandgreep altijd.

Slijp- of zaagschijven monteren en losnemen (afb. C - E)

Gebruik altijd het juiste type schijf voor uw toepassing. Gebruik altijd schijven met de juiste diameter en boring (zie technische gegevens).

Monteren

- ◆ Monteer de beschermkap zoals hierboven wordt beschreven.
- ◆ Plaats de binnenste flens (11) op de as (7), zoals wordt getoond (afb. C). Controleer dat de flens juist is geplaatst op de vlakke zijden van de as.
- ◆ Plaats de schijf (12) op de as (7), zoals wordt getoond (afb. C). Heeft de schijf een verhoogd middengedeelte (13), let er dan vooral op dat het verhoogde midden tegenover de binnenste flens ligt.
- ◆ Controleer dat de schijf goed op de binnenste flens ligt.
- ◆ Plaats de buitenste flens (14) op de as. Wanneer u een slijpschijf monteert, moet het verhoogde midden op de buitenste flens naar de schijf wijzen (A in afb. D). Wanneer u een zaagschijf monteert, moet het verhoogde midden op de buitenste flens van de schijf af gericht zijn (B in afb. D).
- ◆ Houd de asvergrendeling (5) ingedrukt en zet de buitenste flens vast met de twee-pinsleutel (15) (afb. E).

Losnemen

- ◆ Houd de asvergrendeling (5) ingedrukt en zet de buitenste flens (14) vast met de twee-pinsleutel (15) (afb. E).
- ◆ Neem de buitenste flens (14) en de schijf (12) los.

Gebruik

Waarschuwing! Laat het gereedschap op zijn eigen snelheid werken. Overbelast het niet.

- ◆ Leid voorzichtig de kabel, zodat u deze niet per ongeluk kunt doorsnijden.
- ◆ Wees voorbereid op een straal van vonken wanneer de slijp- of zaagschijf het werkstuk raakt.
- ◆ Plaats het gereedschap altijd zo dat de beschermkap optimale bescherming biedt tegen de slijp- of zaagschijf.

In- en uitschakelen

- ◆ U kunt het gereedschap in gebruik nemen door op de vergrendelknop Uit (2) en vervolgens op de aan/uitschakelaar (1) te drukken.
- ◆ Druk op de vergrendelknop Aan (3) zodat de machine blijft werken en laat de aan/uit-schakelaar los.
- ◆ U kunt het gereedschap uitschakelen door de aan/uitschakelaar los te laten. U kunt het gereedschap dat ononderbroken werkt, uitschakelen door kort op de aan/uit-schakelaar te drukken en deze los te laten.

Waarschuwing! Schakel het gereedschap niet uit onder belasting.

Functie langzame start

De functie langzame start maakt het langzaam opbouwen van snelheid mogelijk zodat een eerste hapering tijdens het opstarten wordt voorkomen. Deze functie is vooral handig als u in beperkte ruimten werkt.

No-Volt

De functie No-volt voorkomt dat de haakse slijper start als u na een onderbreking is in de stroomvoorziening, niet eerst de schakelaar omzet.

Aanwijzingen voor optimaal gebruik

- ◆ Houd het gereedschap met een hand stevig vast aan de zijhandgreep en met de andere hand aan de hoofdhandgreep (afb. F).
- ◆ Houd tijdens het slijpen altijd een hoek aan van ongeveer 15° tussen de schijf en het oppervlak van het werkstuk.

Onderhoud

Uw Stanley Fat Max apparaat/gereedschap met snoer/snoerloos apparaat/gereedschap is ontworpen om gedurende lange tijd te functioneren met een minimum aan onderhoud. Het continu naar tevredenheid functioneren hangt af van de juiste zorg voor het gereedschap en regelmatig schoonmaken.

Waarschuwing! U moet, voordat u onderhoud verricht aan elektrisch gereedschap met snoer/snoerloos elektrisch gereedschap:

- ◆ Het apparaat/gereedschap uitschakelen en de stekker uit het stopcontact trekken.
- ◆ Of uitschakelen en de accu uit het apparaat /gereedschap nemen als het apparaat/gereedschap voorzien is van een aparte accu.
- ◆ Of de accu helemaal leeg maken als deze is ingebouwd, en vervolgens het apparaat/gereedschap uitschakelen.
- ◆ De (stekker van de) lader uit het stopcontact trekken, voordat u de lader reinigt. Ander onderhoud dan een regelmatige schoonmaakbeurt vraagt uw lader niet.
- ◆ De ventilatiesleuven van uw apparaat/gereedschap/lader regelmatig reinigen met een zachte borstel of een droge doek.
- ◆ Regelmatig de motorbehuizing reinigen met een vochtige doek. Gebruik geen schuurmiddelen of schoonmaakmiddelen die op een oplosmiddel zijn gebaseerd.
- ◆ Open regelmatig de boorkop (wanneer deze is gemonteerd) en tik het stof eruit.

Het milieu beschermen



Gescheiden afvalinzameling. Producten en accu's waarop dit symbool is aangebracht, mogen niet bij het normale huishoudafval worden weggegooid.

Producten en accu's bevatten materialen die kunnen worden herwonnen en gerecycled waardoor de vraag naar grondstoffen afneemt.

Recycle elektrische producten en accu's volgens de ter plaatse geldende voorschriften.

Technische gegevens

FMEG222 Type 1		
Opgenomen vermogen	V _{AC}	230
Vermogen	W	1.200
Nominaal toerental	min ⁻¹	11.000
Schijfdiameter	mm	125
Schijfboring	mm	22
Max schijfdikte		
slijpschijven	mm	6
snijpschijven	mm	3,5
Asgrootte		M14
Gewicht	kg	2,7

Geluidsrukniveau, volgens EN 60745:

L_{PA} (geluidsdruk) 91,0 dB (A), Onzekerheid (K) 3 dB(A)

L_{PA} (geluidsvermogen) 102,0 dB (A), Onzekerheid (K) 3 dB(A)

Vibratie totaalwaarden (triax vectorsom) vastgesteld volgens EN60745:

Oppervlakteslijpen ($a_{h,SD}$) 8,2 m/s², onzekerheid (K) 1,5 m/s²

EG-verklaring van overeenstemming
RICHTLIJN VOOR MACHINES



FMEG222 Haakse slijper

Stanley Fat Max verklaart dat de producten die worden beschreven onder "technische gegevens" voldoen aan: EN60745-1:2009+A11:2010; EN60745-2-3:2011+A2:2012+A11:2014+A12:2014+A13:2015

Deze producten voldoen tevens aan richtlijn 2006/42/EC, 2014/30/EU 2011/65/EU.

Neem voor meer informatie contact op met Stanley Fat Max op het volgende adres of kijk op de achterzijde van de handleiding.

De ondergetekende is verantwoordelijk voor de samenstelling van het technische bestand en legt deze verklaring af namens Stanley Fat Max.

A. Smith
Technical Director
Stanley Fat Max Europa, 210 Bath Road, Slough,
Berkshire, SL1 3YD, United Kingdom
15/01/2019

Garantie

Stanley Fat Max heeft vertrouwen in zijn producten en biedt consumenten een garantie van 12 maanden vanaf de datum van aankoop. Deze garantie vormt een aanvulling op uw wettelijke rechten en beperken deze niet. De garantie is geldig op het grondgebied van de Lidstaten van de Europese Unie en de Europese Vrijhandelszone.

Voor een garantie-aanspraak moet uw aanspraak in overeenstemming zijn met de Voorwaarden en Condities van Stanley Fat Max en moet u een bewijs van aankoop overleggen aan de verkoper of aan een geautoriseerde reparatiemonteur. Voorwaarden en condities van de 1-jarige garantie van Stanley Fat Max en het adres van de vestiging van het geautoriseerde reparatiecentrum bij u in de buurt, kunt u vinden op internet op www.2helpU.com, of door contact op te nemen met het Stanley Fat Max-kantoor ter plaatse, op het adres dat in deze handleiding wordt vermeld.

Ga naar onze website www.stanley.eu/3 en registreer uw nieuwe product van Stanley Fat Max en ontvang informatie over nieuwe producten en speciale aanbiedingen.

Uso previsto

Su amoladora angular Stanley Fat Max FMEG222 se ha diseñado para amolar y cortar metales y mampostería con el tipo adecuado de disco de corte o amolado. Esta herramienta ha sido concebida para usuarios profesionales y para usuarios no profesionales privados.

Instrucciones de seguridad

Advertencias de seguridad generales para herramientas eléctricas



¡Advertencia! Lea todas las advertencias de seguridad y todas las instrucciones. El incumplimiento de las advertencias e instrucciones que aparecen a continuación podría provocar una descarga eléctrica, un incendio y/o lesiones graves.

Guarde todas las advertencias e instrucciones para poder consultarlas con posterioridad. El término "herramienta eléctrica" que aparece en todas las advertencias que aparecen a continuación se refiere a la herramienta eléctrica que funciona a través de la red eléctrica (con cable) o a la herramienta eléctrica que funciona con batería (sin cable).

1. Seguridad en la zona de trabajo

- a. **Mantenga el área de trabajo limpia y bien iluminada.** Las áreas en desorden u oscuras pueden provocar accidentes.
- b. **No utilice herramientas eléctricas en atmósferas explosivas, como ambientes donde haya polvo, gases o líquidos inflamables.** Las herramientas eléctricas originan chispas que pueden inflamar el polvo o los gases.
- c. **Mantenga alejados a los niños y a las personas que estén cerca mientras utiliza una herramienta eléctrica.** Las distracciones pueden ocasionar que pierda el control.

2. Seguridad eléctrica

- a. **Los enchufes de las herramientas eléctricas deben corresponderse con la toma de corriente. No modifique nunca el enchufe de ninguna forma. No utilice ningún enchufe adaptador con herramientas eléctricas conectadas a tierra.** Los enchufes no modificados y las tomas de corriente correspondientes reducirán el riesgo de descarga eléctrica.
- b. **Evite el contacto corporal con superficies conectadas a tierra, tales como tuberías, radiadores, cocinas y neveras.** Existe un mayor riesgo de descarga eléctrica si su propio cuerpo está conectado a tierra.

- c. **No exponga las herramientas eléctricas a la lluvia ni a condiciones húmedas.** Si entra agua en una herramienta eléctrica, aumentará el riesgo de descarga eléctrica.
 - d. **No someta el cable de alimentación a presión innecesaria. No use nunca el cable para transportar, tirar de la herramienta eléctrica o desenchufarla. Mantenga el cable alejado del calor, aceite, bordes afilados y piezas en movimiento.** Los cables dañados o enredados aumentan el riesgo de descarga eléctrica.
 - e. **Cuando esté utilizando una herramienta eléctrica al aire libre, use un cable alargador adecuado para uso en exteriores.** La utilización de un cable adecuado para el uso en exteriores reduce el riesgo de descarga eléctrica.
 - f. **Si no puede evitar utilizar una herramienta eléctrica en un lugar húmedo, use un suministro protegido con un dispositivo de corriente residual.** El uso de un dispositivo de corriente residual reduce el riesgo de descarga eléctrica.
- 3. Seguridad personal**
- a. **Manténgase alerta, esté atento a lo que hace y use el sentido común cuando utilice una herramienta eléctrica. No maneje una herramienta eléctrica cuando esté cansado o bajo los efectos de drogas, medicamentos o alcohol.** Un momento de desatención cuando se manejan las herramientas eléctricas puede ocasionar lesiones personales graves.
 - b. **Utilice equipo de seguridad personal. Utilice siempre protección ocular.** El uso del equipo protector, como mascarillas antipolvo, calzado antideslizante, casco o protección auditiva para condiciones apropiadas, reducirá las lesiones personales.
 - c. **Evite la puesta en funcionamiento involuntaria. Asegúrese de que el interruptor esté en posición de apagado antes de conectar con la fuente de alimentación y/o la batería, de levantar o transportar la herramienta.** El transportar herramientas eléctricas con el dedo puesto en el interruptor o herramientas eléctricas activadoras que tengan el interruptor encendido puede provocar accidentes.
 - d. **Saque toda llave de ajuste o llave inglesa antes de encender la herramienta eléctrica.** Una llave inglesa u otra llave que se deje puesta en una pieza en movimiento de la herramienta eléctrica pueden ocasionar lesiones personales.
 - e. **No se estire demasiado. Mantenga un equilibrio adecuado y la estabilidad constantemente.** Esto permite un mejor control de la herramienta eléctrica en situaciones inesperadas.
 - f. **Use la vestimenta adecuada. No se ponga ropa suelta o joyas. Mantenga el cabello, la ropa y los guantes alejados de las piezas en movimiento.** La ropa suelta,
- las joyas y el pelo largo pueden quedar atrapados en las piezas en movimiento.
- g. **Si se suministran dispositivos para la conexión del equipo de extracción y recogida de polvo, asegúrese de que estén conectados y de que se usen adecuadamente.** El uso de equipo de recogida de polvo puede reducir los riesgos relacionados con el polvo.
- 4. Uso y cuidado de la herramienta eléctrica**
- a. **No fuerce la herramienta eléctrica. Use la herramienta eléctrica correcta para su trabajo.** La herramienta eléctrica correcta funcionará mejor y con mayor seguridad si se utiliza de acuerdo con sus características técnicas.
 - b. **No utilice la herramienta eléctrica si no puede encenderse y apagarse con el interruptor.** Toda herramienta eléctrica que no pueda controlarse con el interruptor es peligrosa y debe ser reparada.
 - c. **Desconecte el enchufe de la fuente de alimentación y/o el paquete de baterías de la herramienta eléctrica antes de realizar cualquier ajuste, cambiar accesorios o guardar las herramientas eléctricas.** Dichas medidas de seguridad preventivas reducen el riesgo de poner en marcha accidentalmente la herramienta eléctrica.
 - d. **Guarde las herramientas eléctricas que no esté utilizando fuera del alcance de los niños y no permita que utilicen la herramienta eléctrica las personas que no estén familiarizadas con ella o con estas instrucciones.** Las herramientas eléctricas son peligrosas en manos de personas no capacitadas.
 - e. **Ocúpese del mantenimiento de las herramientas eléctricas. Compruebe si hay desalineación o bloqueo de las piezas en movimiento, rotura de piezas y otras condiciones que puedan afectar el funcionamiento de la herramienta eléctrica. Si la herramienta eléctrica está dañada, llévela para que sea reparada antes de utilizarla.** Se ocasionan muchos accidentes por el mal mantenimiento de las herramientas eléctricas.
 - f. **Mantenga las herramientas para citar afiladas y limpias.** Hay menos probabilidad de que las herramientas para cortar con bordes afilados se bloqueen y son más fáciles de controlar.
 - g. **Utilice la herramienta eléctrica, los accesorios y las brocas de la herramienta, etc., conforme a estas instrucciones, teniendo en cuenta las condiciones de trabajo y el trabajo que vaya a realizarse.** El uso de la herramienta eléctrica para operaciones que no sean las previstas puede ocasionar una situación peligrosa.
- 5. Servicio**
- a. **Lleve su herramienta eléctrica para que sea reparada por una persona cualificada para realizar las reparaciones que use solo piezas de recambio**

idénticas. Esto le asegurará el mantenimiento de la seguridad de la herramienta eléctrica.

Otras advertencias de seguridad para herramientas eléctricas



¡Advertencia! Otras advertencias de seguridad para operaciones de amolado o corte abrasivo

- ◆ **Esta herramienta eléctrica está diseñada para funcionar como amoladora o herramienta de corte Lea todas las advertencias de seguridad, instrucciones, ilustraciones y especificaciones suministradas con esta herramienta eléctrica.** El incumplimiento de las instrucciones que se indican a continuación puede causar descargas eléctricas, incendios y/o lesiones graves.
- ◆ **Se recomienda no usar esta herramienta eléctrica para operaciones de lijado, cepillado y pulido.** Su uso para operaciones para las que la herramienta no ha sido diseñada puede ocasionar peligro y lesiones personales.
- ◆ **No utilice accesorios que no estén diseñados y recomendados específicamente por el fabricante de la herramienta.** El hecho de que el accesorio pueda acoplarse a la herramienta eléctrica no garantiza un funcionamiento sin riesgos.
- ◆ **La velocidad prevista del accesorio debe ser como mínimo igual a la velocidad máxima marcada en la herramienta eléctrica.** Los accesorios que funcionen más rápido que su velocidad prevista pueden romperse y salir volando.
- ◆ **El diámetro externo y el grosor del accesorio deben estar dentro de la capacidad de su herramienta eléctrica.** Los accesorios de tamaño incorrecto no pueden protegerse o controlarse adecuadamente.
- ◆ **La instalación por rosca de accesorios debe coincidir con la rosca del eje de la amoladora.** Para los accesorios instalados por bridas, el orificio del eje del accesorio debe adaptarse al diámetro de la brida. Los accesorios que no se corresponden con las piezas de montaje de la herramienta eléctrica se desequilibrarán, vibrarán excesivamente y pueden causar pérdida de control.
- ◆ **No utilice un accesorio dañado.** Antes de cada uso, inspeccione el accesorio, como, por ejemplo, las muelas abrasivas, para verificar si tienen muescas o grietas, o el portadiscos para comprobar si registra un desgaste excesivo. Si la herramienta eléctrica o un accesorio se caen, compruebe que no estén dañados y, en su caso, instale un accesorio no dañado
- ◆ **Después de inspeccionar e instalar un accesorio, usted y otras personas que estuviesen cerca deben alejarse del plano del accesorio en movimiento, solo entonces ponga la herramienta eléctrica en funcionamiento a velocidad máxima en vacío durante un minuto.** Por lo general, los accesorios dañados se rompen durante la prueba.
- ◆ **Póngase un equipo de protección personal.** Dependiendo de la aplicación, use un protector facial y gafas protectoras. Si corresponde, póngase una mascarilla antipolvo, protectores para el oído, guantes y un delantal de trabajo que pueda detener pequeños fragmentos abrasivos o de la pieza de trabajo. La protección ocular debe poder detener las partículas volantes que se producen con varias operaciones. La mascarilla antipolvo o el respirador deben poder filtrar las partículas generadas por la operación que esté realizando. La exposición prolongada al ruido de intensidad elevada puede causar pérdida auditiva.
- ◆ **Mantenga a las personas que estén cerca a una distancia de seguridad del área de trabajo. Todas las personas que entren al área de trabajo deben llevar puesto un equipo de protección personal.** Los fragmentos de una pieza de trabajo o de un accesorio roto pueden salir disparadas y provocar una lesión más allá del área inmediata de operación.
- ◆ **Sostenga exclusivamente la herramienta eléctrica por las superficies de agarre aisladas cuando realice una operación en la que el accesorio de corte pueda estar en contacto con un cable oculto o con su propio cable.** El contacto de los accesorios de corte con un cable cargado puede cargar las partes metálicas expuestas de la herramienta eléctrica y producir una descarga eléctrica en el operador.
- ◆ **Coloque el cable lejos del accesorio giratorio.** Si pierde el control, el cable puede cortarse o engancharse y puede arrastrar a la mano o el brazo hacia el accesorio giratorio.
- ◆ **No deje nunca a un lado la herramienta eléctrica hasta que el accesorio se haya detenido por completo.** El accesorio giratorio puede agarrarse a la superficie y hacer que usted pierda el control de la herramienta.
- ◆ **No ponga en funcionamiento la herramienta eléctrica mientras la transporte a su lado.** El contacto accidental con el accesorio giratorio podría hacer que se enganche la ropa y que el accesorio toque su cuerpo.
- ◆ **Limpie periódicamente los orificios de ventilación de la herramienta eléctrica.** El ventilador del motor atraerá el polvo dentro de la caja protectora y la acumulación excesiva del metal en polvo puede ocasionar riesgos eléctricos.
- ◆ **No utilice la herramienta eléctrica cerca de materiales inflamables.** Las chispas podrían prender fuego a estos materiales.
- ◆ **No utilice accesorios que requieran líquidos refrigerantes.** El uso de agua u otros refrigerantes líquidos puede ocasionar electrocución o descarga.

Nota: La advertencia anterior no se aplica a las herramientas eléctricas que se hayan diseñado específicamente para usarlas con un sistema líquido.

Rebote y advertencias relacionadas

El rebote es una reacción repentina al quedar enganchados o atrapados una muela, un plato portadiscos, un cepillo u otro accesorio en movimiento. Al engancharse o quedar presionado un accesorio en movimiento, este se detiene rápidamente y, a su vez, provoca que la herramienta eléctrica no controlada quede forzada en dirección opuesta a la rotación del accesorio en el punto del trabado.

Por ejemplo, si una muela abrasiva se engancha o queda presionada por la pieza de trabajo, el borde de la muela que entra en el punto de presión puede incrustarse en la superficie del material ocasionando que la muela se salga o se trabe. La muela puede saltar hacia el operador o lejos de él, dependiendo de la dirección del movimiento de la muela en el punto de presión. Las muelas abrasivas también pueden romperse en estas condiciones.

El rebote es el resultado del mal uso de la herramienta eléctrica o de procedimientos o condiciones de operación incorrectos, y se puede evitar si se toman las precauciones debidas, que se enumeran a continuación:

- ◆ **Sujete firmemente la herramienta eléctrica y sitúe el cuerpo y el brazo de manera que pueda resistir la fuerza del rebote. Para un máximo control del rebote o de la reacción del par motor durante la puesta en marcha, utilice siempre la empuñadura auxiliar, si la hubiera.** El operador puede controlar la reacción del par motor o la fuerza del rebote si se toman las precauciones adecuadas.
- ◆ **No ponga nunca la mano cerca del accesorio giratorio.** El accesorio puede rebotarle en la mano.
- ◆ **No se sitúe en el área hacia donde vaya a moverse la herramienta eléctrica si ocurre un rebote.** El rebote impulsará la herramienta en la dirección opuesta al movimiento de la muela en el momento del enganche.
- ◆ **Tenga especial cuidado cuando trabaje con esquinas, bordes afilados, etc. Evite hacer rebotar o enganchar el accesorio.** Las esquinas, los bordes afilados o los rebotes tienen tendencia a enganchar el accesorio en movimiento y ocasionar pérdida de control o tensión de retroceso.
- ◆ **No acople una hoja de tallado de madera de sierra de cadena o una hoja de sierra dentada.** Dichas hojas ocasionan frecuentes rebotes y pérdida de control.

Advertencias de seguridad específicas para operaciones de amolado y corte abrasivo

- ◆ **Utilice solo tipos de muela que estén recomendados para su herramienta eléctrica y el protector específico diseñado para la muela seleccionada.** Las muelas para las que la herramienta eléctrica no ha sido diseñada no pueden protegerse adecuadamente y no son seguras.
- ◆ **La superficie de amolado de las muelas centrales presionadas debe instalarse debajo del plano del borde del protector.** Una rueda instalada incorrectamente que se proyecta fuera del plano del borde del protector no puede protegerse correctamente.
- ◆ **El protector debe estar bien sujeto a la herramienta eléctrica y posicionado para una seguridad máxima, de manera que la muela quede lo menos expuesta posible hacia el operador.** El protector ayuda a proteger al operador de fragmentos de muela rotos y del contacto accidental con la muela y las chispas que podrían incendiar la ropa.
- ◆ **Las muelas deben utilizarse únicamente para las aplicaciones recomendadas. Por ejemplo, no amole con el lado de una muela de corte.** Las muelas de corte abrasivo están previstas para el amolado periférico y si se aplican fuerzas laterales a estas muelas se podrían romper.
- ◆ **Use siempre bridas de muela no dañadas que sean del tamaño y la forma correctos para la muela seleccionada.** Las bridas de muela apropiadas sirven de soporte para la muela, reduciendo así la posibilidad de rotura de la misma. Las bridas de las muelas de corte pueden ser diferentes de las bridas de las muelas para amolado.
- ◆ **No utilice muelas desgastadas de herramientas eléctricas más grandes.** Una muela diseñada para una herramienta eléctrica más grande no es adecuada para la mayor velocidad de una herramienta más pequeña y puede explotar.

Otras advertencias de seguridad específicas para operaciones de corte abrasivo

- ◆ **No “atasque” la muela de corte ni aplique excesiva presión. No intente hacer un corte de profundidad excesiva.** El ejercer demasiada presión sobre la muela aumenta la carga y la susceptibilidad de giro o bloqueo de la muela en el corte y la posibilidad de rebote o rotura de la muela.
- ◆ **No posicione su cuerpo alineado con respecto a la muela en movimiento ni detrás de ella.** Cuando la muela, en el punto de operaciones, se aleje de su cuerpo, el posible rebote puede propulsar la muela en movimiento y la herramienta eléctrica directamente hacia usted.

- ◆ **Cuando la muela esté bloqueada o cuando interrumpa un corte por cualquier razón, apague la herramienta eléctrica y sujétela sin moverse hasta que la muela se pare por completo. No intente nunca sacar del corte la muela de corte mientras esta se encuentre en movimiento, de lo contrario, puede producirse un rebote.** Investigue y tome medidas correctivas para eliminar la causa del trabado de la muela.
- ◆ **No vuelva a empezar la operación de corte en la pieza de trabajo. Espere hasta que la muela alcance la velocidad máxima y vuelva a introducirla en el corte con cuidado.** La muela puede bloquearse, saltar o rebotar si la herramienta eléctrica vuelve a ponerse en marcha en la pieza de trabajo.
- ◆ **Apoye los paneles o cualquier otra pieza de trabajo de tamaño grande para minimizar el riesgo de presión o rebote de la muela.** Las piezas de trabajo grandes tienden a hundirse por su propio peso. Se deben colocar soportes debajo de la pieza de trabajo, cerca de la línea de corte y cerca del borde de la pieza de trabajo en ambos lados de la muela.
- ◆ **Tenga mucho cuidado cuando realice “cortes de profundidad” en paredes existentes u otras zonas ciegas.** La muela protuberante puede cortar las tuberías de gas o de agua, la instalación eléctrica o los objetos que puedan ocasionar un rebote.

Seguridad de otras personas

- ◆ Esta herramienta puede ser usado por niños a partir de 8 años de edad y por personas con capacidades físicas, sensoriales o mentales disminuidas, o que carezcan de experiencia y conocimientos, si están supervisadas o han recibido formación con respecto al uso del aparato de una forma segura y que comprenden los peligros que entraña su uso.
- ◆ Los niños no deben jugar con el aparato. Ningún niño deberá realizar las tareas de limpieza y mantenimiento, salvo que lo hagan bajo supervisión.

Riesgos residuales

El uso de esta herramienta puede producir riesgos residuales adicionales no incluidos en las advertencias de seguridad adjuntas. Estos riesgos se pueden generar por un uso incorrecto, demasiado prolongado, etc.

El cumplimiento de las normas de seguridad correspondientes y el uso de dispositivos de seguridad no evitan ciertos riesgos residuales. Dichos riesgos incluyen:

- ◆ Lesiones producidas por el contacto con piezas móviles o giratorias.
- ◆ Lesiones producidas al cambiar cualquier pieza, cuchilla o accesorio.
- ◆ Lesiones producidas al usar una herramienta por un tiempo demasiado prolongado. Si utiliza una herramienta

durante períodos de tiempo demasiado prolongados, asegúrese de realizar pausas con frecuencia.

- ◆ Deterioro auditivo.
- ◆ Riesgos para la salud producidos al respirar el polvo que se genera cuando se utiliza la herramienta (ejemplo: en los trabajos con madera, especialmente si son de roble, haya y tableros de densidad mediana).

Vibración

Los valores de emisión de vibraciones declarados en el apartado de características técnicas y en la declaración de conformidad se han calculado según un método de prueba estándar proporcionado por la norma EN 60745 y podrán utilizarse para comparar una herramienta con otra. El valor de emisión de vibraciones especificado también puede utilizarse en una evaluación preliminar de la exposición.

Advertencia. El valor de emisión de vibraciones durante el funcionamiento real de la herramienta eléctrica puede diferir del valor declarado en función de cómo se utilice dicha herramienta. El nivel de las vibraciones puede aumentar por encima del nivel declarado.

Al evaluar la exposición a las vibraciones con el fin de determinar las medidas de seguridad que exige la directiva 2002/44/CE para proteger a las personas que utilizan periódicamente herramientas eléctricas en el entorno laboral, deberá tenerse en cuenta una estimación de la exposición a las vibraciones, las condiciones de uso reales y el modo de empleo de la herramienta, así como los pasos del ciclo operativo como, por ejemplo, el número de veces que la herramienta se apaga, el tiempo que está parada y el tiempo de activación.

Caidas de tensión

Las corrientes de irrupción provocan breves caídas de tensión.

Cuando se producen situaciones de alimentación desfavorables, otros equipos pueden resultar afectados. Si la impedancia del sistema de la alimentación es inferior a 0,424 Ω , es probable que se produzcan alteraciones.

Etiquetas en la herramienta

En la herramienta aparecen los pictogramas siguientes, así como el código de fecha:



¡Advertencia! Para reducir el riesgo de lesiones, el usuario debe leer el manual de instrucciones.



Use gafas de protección cuando utilice esta herramienta.



Use protección para los oídos cuando utilice esta herramienta.

Seguridad eléctrica



Esta herramienta cuenta con aislamiento doble; por lo tanto, no se requiere un cable de conexión a tierra. Compruebe siempre que el voltaje suministrado corresponda al indicado en la placa de características.

- ◆ Si el cable de alimentación resulta dañado, debe ser sustituido por el fabricante o por un Taller de reparación autorizado de Stanley Fat Max para evitar peligros.

Características

Esta herramienta incluye todas o algunas de las características siguientes.

1. Interruptor de encendido/apagado
2. Botón de activación/desactivación de funcionamiento continuo
3. Botón de funcionamiento continuo
4. Empuñadura lateral
5. Bloqueo del eje
6. Barra de protección

Ensamblaje

¡Advertencia! Antes del ensamblaje, asegúrese de que la herramienta esté apagada y desenchufada.

Ajuste y extracción del protector (fig. A y B)

La herramienta se suministra con un protector que se usa únicamente para amolar. Si la unidad se va a utilizar para realizar operaciones de corte, se debe instalar un protector específico para dichas operaciones.

Hay disponible un protector adecuado para operaciones de corte, número de referencia 1004484-01, que podrá obtener en los talleres de reparación de Stanley Fat Max.

Ajuste

- ◆ Coloque la herramienta en una mesa, con el eje (7) hacia arriba.
- ◆ Coloque la arandela del resorte (8) sobre el eje e instálela en el recodo.
- ◆ Coloque el protector (6) en la herramienta, tal como se muestra.
- ◆ Coloque la brida (9) sobre el eje, con las protuberancias orientadas hacia el protector. Asegúrese de que los orificios de la brida se alineen con los orificios de roscado.
- ◆ Sujete la brida con los tornillos (10). Asegúrese de que los tornillos estén bien apretados y que el protector pueda girar.

Extracción

- ◆ Utilice un destornillador para extraer los tornillos (10).
- ◆ Extraiga la brida (9), el protector (6) y la arandela del resorte (8). Guarde estas piezas con mucho cuidado.

¡Advertencia! No use nunca la herramienta sin el protector.

Ajuste del protector

El protector se puede girar 90°.

- ◆ Haga girar el protector según resulte necesario.

Ajuste de la empuñadura lateral

- ◆ Atomille la empuñadura lateral (4) en uno de los orificios de montaje de la herramienta.

¡Advertencia! Utilice siempre la empuñadura lateral.

Ajuste y extracción de discos de amolado o corte (fig. C - E)

Utilice siempre el tipo de disco correcto para su aplicación.

Utilice siempre discos con el diámetro y el tamaño de orificio correctos (véanse los datos técnicos).

Ajuste

- ◆ Ajuste el protector tal como se ha indicado previamente.
- ◆ Coloque la brida interna (11) en el eje (7), tal como se muestra (fig. C). Asegúrese de que la brida esté ubicada correctamente en los lados planos del eje.
- ◆ Coloque el disco (12) en el eje (7), tal como se muestra (fig. C). Si el disco tiene un centro elevado (13), asegúrese de que esté orientado hacia la brida interna.
- ◆ Asegúrese de que el disco se coloque correctamente en la brida interna.
- ◆ Coloque la brida exterior (14) en el eje. Cuando coloque un disco de amolado, el centro elevado de la brida externa debe quedar orientado hacia el disco (A en la fig. D). Cuando coloque un disco de corte, el centro elevado de la brida externa debe estar orientada en el sentido contrario al disco (B en la fig. D).
- ◆ Mantenga el bloqueo de eje (5) presionado y apriete la brida externa con la llave de dos patillas (15) (fig. E).

Extracción

- ◆ Mantenga el bloqueo de eje (5) presionado y afloje la brida externa (14) con la llave de dos patillas (15) (fig. E).
- ◆ Extraiga la brida externa (14) y el disco (12).

Uso

¡Advertencia! Deje que la herramienta trabaje a su ritmo; no debe sobrecargarla.

- ◆ Guíe con cuidado el cable para evitar cortarlo accidentalmente.
- ◆ Prepárese para ver las chispas que se generan cuando el disco de amolado o corte entra en contacto con la pieza de trabajo.
- ◆ Coloque siempre la herramienta de forma que el protector proporcione una protección óptima del disco de amolado o corte.

Encendido y apagado

- ◆ Para encender la herramienta, pulse el botón de desbloqueo (2) y, a continuación, el interruptor de encendido/apagado (1).
- ◆ Pulse el botón de bloqueo (3) para un funcionamiento continuo y suelte el interruptor de encendido/apagado.
- ◆ Para apagar la herramienta, suelte el interruptor de encendido/apagado. Para interrumpir la herramienta durante el funcionamiento continuo, pulse una vez más el interruptor de encendido/apagado y suéltelo.

¡Advertencia! No apague la herramienta mientras tenga carga.

Función de arranque suave

La característica de arranque suave permite que la velocidad aumente lentamente para evitar una sacudida inicial al poner la herramienta en marcha. Esta característica es especialmente útil cuando se trabaja en espacios reducidos.

Tensión nula

La función de tensión nula impide que la amoladora se reinicie sin iniciar el ciclo con el interruptor en caso de interrupción del suministro de energía.

Sugerencias para un uso óptimo

- ◆ Sujete firmemente la herramienta con una mano alrededor de la empuñadura lateral y la otra mano alrededor de la empuñadura principal (fig. F).
- ◆ Al amolar, mantenga siempre un ángulo de 15° aproximadamente entre el disco y la superficie de la pieza de trabajo.

Mantenimiento

Su aparato / herramienta eléctrico/a con / sin cable Stanley Fat Max se ha diseñado para funcionar durante mucho tiempo con un mantenimiento mínimo. El funcionamiento satisfactorio y continuo depende del buen cuidado de la herramienta y de una limpieza frecuente.

¡Advertencia! Antes de realizar cualquier tarea de mantenimiento en herramientas eléctricas con cable/sin cable:

- ◆ Apague y desenchufe el aparato o herramienta.
- ◆ O apague y extraiga la batería del aparato o herramienta si este cuenta con una batería independiente.
- ◆ O, en caso de batería integrada, agótelas por completo y, a continuación, apague la herramienta.
- ◆ Desenchufe el cargador antes de limpiarlo. El cargador no requiere otro mantenimiento que una limpieza periódica.
- ◆ Limpie periódicamente las ranuras de ventilación de su aparato/herramienta/cargador con un cepillo suave o un trapo seco.

- ◆ Limpie periódicamente la carcasa del motor con un trapo húmedo. No utilice productos de limpieza abrasivos o a base de disolventes.
- ◆ Abra periódicamente el mandril y dé unos golpecitos para eliminar el polvo que se pueda encontrar en el interior (en su caso).

Protección del medio ambiente



Recogida selectiva. Los productos y las baterías marcadas con este símbolo no se deben eliminar con los residuos domésticos normales.

Los productos y las baterías que contienen materiales que se puedan recuperar o reciclar reducen la demanda de materias primas.

Recicle los productos eléctricos y las baterías de conformidad con la normativa local.

Datos técnicos

		FMEG222 Tipo 1
Tensión de entrada	V_{CA}	230
Potencia de entrada	W	1.200
Velocidad prevista	min^{-1}	11.000
Díámetro de disco	mm	125
Orificio de disco	mm	22
Grosor máximo de disco		
discos de amolado	mm	6
discos de corte	mm	3,5
Tamaño del eje		M14
Peso	kg	2,7

Nivel de presión acústica de acuerdo con la norma EN 60745:

L_{pA} (presión acústica) 91,0 dB(A), Incertidumbre (K) 3 dB(A)

L_{wA} (presión acústica) 102,0 dB(A), Incertidumbre (K) 3 dB(A)

Valores totales de las vibraciones (suma de vectores teniendo en cuenta los tres ejes) de acuerdo con la norma EN60745:

Amolado de superficie ($a_{h,ISO}$) 8,2 m/s^2 , incertidumbre (K) 1,5 m/s^2

Declaración de conformidad CE

DIRECTIVA SOBRE MAQUINARIA



Amoladora angular FMEG222

Stanley Fat Max declara que los productos descritos en el apartado "Datos técnicos" son conformes a las normas siguientes:

EN60745-1:2009 +A11:2010; EN60745-2-3:2011+A2:2012 +A11:2014+A12:2014+A13:2015

Estos productos también cumplen con las Directivas 2006/42/CE, 2014/30/UE 2011/65/UE.

Si desea más información, póngase en contacto con Stanley Fat Max en la dirección indicada a continuación o bien consulte la parte posterior de este manual.

El abajo firmante es el responsable de la compilación del archivo técnico y realiza esta declaración en representación de Stanley Fat Max.



A. Smith
 Technical Director
 Stanley Fat Max Europe, 210 Bath Road, Slough,
 Berkshire, SL1 3YD, Reino Unido
 15/01/2019

Garantía

Stanley Fat Max confía en la calidad de sus productos y ofrece a los consumidores una garantía de 12 meses a partir de la fecha de compra. Esta garantía es adicional a sus derechos legales y no los menoscaba en modo alguno. La garantía es válida dentro de los territorios de los Estados Miembros de la Unión Europea y del Área de Libre Comercio Europea.

Para reclamar la garantía, la reclamación se debe presentar de conformidad con las condiciones de Stanley Fat Max. Tendrá que adjuntar un justificante de compra al vendedor o al agente técnico autorizado. Las condiciones de la garantía de 1 años de Stanley Fat Max y la ubicación de su agente técnico autorizado más cercano se pueden obtener en Internet en www.2helpU.com o poniéndose en contacto con su oficina local de Stanley Fat Max en la dirección que se indica en este manual.

Visite nuestro sitio web www.stanley.eu/3 y registre su nuevo producto Stanley Fat Max para mantenerse al día sobre los nuevos productos y las ofertas especiales.

Utilização pretendida

A rebarbadora angular Stanley Fat Max FMEG222 foi concebida para desbaste e corte de metal e alvenaria utilizando o tipo adequado de disco de corte ou desbaste. Quando esta ferramenta destina-se a utilização profissional bem como a utilizadores privados não profissionais.

Instruções de segurança

Avisos de segurança gerais relativos a ferramentas eléctricas



Aviso! Leia todos os avisos de segurança e todas as instruções. O não seguimento dos avisos e das instruções listadas abaixo poderá resultar em choque eléctrico, incêndio e/ou ferimentos graves.

Guarde todos os avisos e instruções para futura referência. Em todos os avisos que se seguem abaixo, o termo "ferramenta eléctrica" refere-se à sua ferramenta alimentada pela rede eléctrica (com fios) ou por uma bateria (sem fios).

1. Segurança na área de trabalho

- a. **Mantenha a área de trabalho limpa e bem iluminada.** As áreas desorganizadas ou escuras são propensas a acidentes.
- b. **Não utilize as ferramentas eléctricas em ambientes explosivos, como, por exemplo, na presença de líquidos, gases ou poeiras inflamáveis.** As ferramentas eléctricas criam faíscas que poderão inflamar estas poeiras ou vapores.
- c. **Mantenha as crianças e outras pessoas à distância quando utilizar a ferramenta eléctrica.** As distrações podem levar à perda do controlo da ferramenta.

2. Segurança eléctrica

- a. **As fichas das ferramentas eléctricas têm de ser compatíveis com a tomada de electricidade. Nunca modifique a ficha de forma alguma. Não utilize fichas adaptadoras com ferramentas eléctricas ligadas à terra.** As fichas não modificadas e as tomadas compatíveis reduzem o risco de choque eléctrico.
- b. **Evite o contacto corporal com superfícies ligadas à terra, como tubos, radiadores, fogões e frigoríficos.** Se o seu corpo estiver "ligado" à terra, o risco de choque eléctrico é maior.
- c. **Não exponha as ferramentas eléctricas à chuva ou a condições de humidade.** A entrada de água numa ferramenta eléctrica aumenta o risco de choque eléctrico.
- d. **Não aplique força excessiva sobre o cabo. Nunca o utilize para transportar, puxar ou desligar a ferramenta eléctrica. Mantenha o cabo afastado de fontes de calor,**

substâncias oleosas, extremidades aguçadas ou peças móveis. Os cabos danificados ou emaranhados aumentam o risco de choque eléctrico.

- e. **Ao utilizar uma ferramenta eléctrica no exterior, use uma extensão adequada para utilização ao ar livre.** A utilização de um cabo adequado para uso ao ar livre reduz o risco de choque eléctrico.
- f. **Se não for possível evitar trabalhar com uma ferramenta eléctrica num local húmido, utilize uma fonte de alimentação protegida por um dispositivo de corrente residual (DCR).** A utilização de um DCR reduz o risco de choque eléctrico.

3. Segurança pessoal

- a. **Mantenha-se atento, preste atenção ao que está a fazer e faça uso de bom senso ao operar uma ferramenta eléctrica. Não utilize uma ferramenta eléctrica quando estiver cansado ou sob o efeito de drogas, álcool ou medicamentos.** Um momento de distração durante a utilização de ferramentas eléctricas poderá resultar em ferimentos graves.
- b. **Use equipamento de protecção pessoal. Use sempre uma protecção ocular.** O equipamento de protecção, como, por exemplo, uma máscara contra o pó, sapatos de segurança antiderrapantes, um capacete de segurança ou uma protecção auditiva, usado nas condições apropriadas, reduz o risco de ferimentos.
- c. **Evite accionamentos acidentais. Certifique-se de que o interruptor da ferramenta está na posição de desligado antes de a ligar à tomada de electricidade e/ou inserir a bateria, ou antes de pegar ou transportar a ferramenta.** Se mantiver o dedo sobre o interruptor ao transportar ferramentas eléctricas ou se as ligar à fonte de alimentação com o interruptor ligado, poderá originar acidentes.
- d. **Retire qualquer chave de ajuste ou chave de porcas antes de ligar a ferramenta eléctrica.** Uma chave de porcas ou chave de ajuste deixada numa peça móvel da ferramenta poderá resultar em ferimentos.
- e. **Não se estique demasiado ao trabalhar com a ferramenta. Mantenha sempre os pés bem apoiados e um equilíbrio apropriado.** Desta forma, será mais fácil controlar a ferramenta eléctrica em situações inesperadas.
- f. **Use vestuário adequado. Não use roupa larga nem jóias. Mantenha o cabelo, a roupa e as luvas afastados das peças móveis.** As roupas largas, as jóias ou o cabelo comprido podem ficar presos nestas peças.
- g. **Se forem fornecidos acessórios para a ligação de equipamentos de extracção e recolha de partículas, certifique-se de que estes são ligados e utilizados correctamente.** A utilização de dispositivos de extracção

de partículas pode reduzir os riscos relacionados com as mesmas.

4. Utilização e cuidados a ter com a ferramenta

- a. **Não utilize a ferramenta eléctrica de forma forçada. Utilize a ferramenta eléctrica correcta para o seu trabalho.** A ferramenta eléctrica adequada irá efectuar o trabalho de um modo mais eficiente e seguro se for utilizada de acordo com a capacidade para a qual foi concebida.
- b. **Não utilize a ferramenta eléctrica se o respectivo interruptor não a ligar e desligar.** Qualquer ferramenta eléctrica que não possa ser controlada através do interruptor de alimentação é perigosa e tem de ser reparada.
- c. **Retire a ficha da tomada de electricidade e/ou a bateria da ferramenta eléctrica antes de efectuar quaisquer ajustes, substituir acessórios ou guardar a ferramenta.** Estas medidas de segurança preventivas reduzem o risco de ligar a ferramenta eléctrica acidentalmente.
- d. **Guarde as ferramentas eléctricas que não estiverem a ser utilizadas fora do alcance de crianças e não permita que o equipamento seja utilizado por pessoas não familiarizadas com o mesmo ou com estas instruções.** As ferramentas eléctricas são perigosas nas mãos de pessoas que não possuam as qualificações necessárias para as manusear.
- e. **Faça a devida manutenção das ferramentas eléctricas. Verifique se as peças móveis da ferramenta eléctrica estão alinhadas e não emperram, bem como se existem peças partidas ou danificadas ou quaisquer outras condições que possam afectar o funcionamento da mesma. Se a ferramenta eléctrica estiver danificada, esta não deve ser utilizada até que seja reparada.** Muitos acidentes têm como principal causa ferramentas eléctricas com uma manutenção insuficiente.
- f. **Mantenha as ferramentas de corte sempre afiadas e limpas.** As ferramentas de corte sujeitas a uma manutenção adequada, com arestas de corte afiadas, emperram com menos frequência e controlam-se com maior facilidade.
- g. **Utilize a ferramenta eléctrica, os acessórios e as peças, etc., de acordo com estas instruções, tendo em conta as condições de trabalho e a tarefa a ser efectuada.** A utilização da ferramenta eléctrica para fins diferentes dos previstos poderá resultar em situações perigosas.
- ### 5. Assistência
- a. **A sua ferramenta eléctrica só deve ser reparada por um técnico qualificado e só devem ser utilizadas**

peças sobresselentes originais. Desta forma, é garantida a segurança da ferramenta eléctrica.

Avisos de segurança adicionais relativos a ferramentas eléctricas



Aviso! Avisos de segurança adicionais para operações de desbaste ou corte abrasivo

- ◆ **Esta ferramenta eléctrica foi concebida para funcionar como ferramenta de desbaste ou corte. Leia todos os avisos de segurança, instruções, ilustrações e especificações fornecidas com esta ferramenta eléctrica.** O não cumprimento de todas as instruções indicadas abaixo pode resultar em choque eléctrico, incêndio e/ou lesões graves.
- ◆ **A realização de operações como areamento, limpeza com escova metálica e polimento não é recomendada com esta ferramenta eléctrica.** As operações para as quais a ferramenta eléctrica não foi concebida poderão criar perigo e causar ferimentos.
- ◆ **Não utilize acessórios que não tenham sido especificamente concebidos e recomendados pelo fabricante da ferramenta.** O facto de um acessório poder ser instalado na sua ferramenta eléctrica não garante um funcionamento seguro do mesmo.
- ◆ **A velocidade nominal do acessório tem de ser, no mínimo, equivalente à velocidade máxima indicada na ferramenta eléctrica.** Os acessórios que forem utilizados a uma velocidade superior à respectiva velocidade nominal poderão fragmentar-se e projectar esses fragmentos
- ◆ **O diâmetro exterior e a espessura do seu acessório têm de ser compatíveis com a capacidade da sua ferramenta eléctrica.** Os acessórios com um tamanho incorrecto não podem ser protegidos nem controlados de forma adequada.
- ◆ **A montagem em rosca dos acessórios deve corresponder à rosca do veio da ferramenta de desbaste. No que respeita a acessórios montados com flanges, o orifício de fixação do acessório deve corresponder ao diâmetro de localização da flange.** Os acessórios que não correspondam ao tamanho dos elementos de montagem da ferramenta eléctrica irão funcionar de forma desequilibrada e vibrar de modo excessivo, podendo causar a perda do controlo da ferramenta.
- ◆ **Não utilize acessórios danificados. Antes de cada utilização, inspecione o acessório e verifique se existem rachas e fendas nos discos abrasivos, disco de suporte quanto a rachas, fendas ou excesso de desgaste.**
- ◆ **Se deixar cair a ferramenta eléctrica ou os acessórios, verifique se apresenta danos ou instale um acessório sem danos. Se o acessório instalado na ferramenta ficar danificado, substitua-o. Após inspecionar e instalar um acessório, coloque-se a si mesmo e quaisquer outras pessoas presentes no local numa posição afastada do ângulo de trabalho do acessório rotativo e ligue a ferramenta eléctrica na respectiva velocidade máxima em vazio durante um minuto.** Os acessórios danificados irão normalmente fragmentar-se durante este período de teste.
- ◆ **Use equipamento de protecção pessoal. Dependendo da operação, use uma viseira ou óculos de protecção. De acordo com o necessário, use uma máscara contra o pó, protectores auditivos, luvas e um avental de trabalho capaz de o proteger contra pequenos fragmentos abrasivos ou da peça de trabalho.** A protecção ocular tem de ser capaz de o proteger contra a projecção de detritos resultantes de várias operações. A máscara contra o pó (ou um filtro respiratório equivalente) tem de ser capaz de filtrar as partículas criadas pela utilização da ferramenta. A exposição prolongada a ruídos de elevada intensidade poderá causar perda de audição.
- ◆ **Mantenha as outras pessoas presentes no local a uma distância segura da área de trabalho. Qualquer pessoa que entre no perímetro da área de trabalho tem de usar equipamento de protecção pessoal.** Poderá dar-se o caso de fragmentos da peça de trabalho ou de um acessório partido serem projectados para longe e causarem ferimentos fora da área de trabalho imediata.
- ◆ **Segure a ferramenta eléctrica apenas pelas superfícies isoladas específicas para o efeito ao efectuar uma operação em que o acessório de corte possa entrar em contacto com fios ocultos ou com o próprio cabo da ferramenta.** O acessório de corte que entrem em contacto com um fio com tensão eléctrica poderão fazer com que as peças de metal expostas da ferramenta conduzam electricidade e electrocitem o utilizador.
- ◆ **Afaste o cabo de alimentação do acessório rotativo.** Se perder o controlo da ferramenta, o cabo poderá ser cortado ou ficar preso no acessório, puxando a sua mão ou o seu braço na direcção do acessório rotativo.
- ◆ **Nunca pouse a ferramenta eléctrica antes de o acessório ficar completamente imobilizado.** Caso contrário, o acessório rotativo poderá ficar preso na superfície onde pousou a ferramenta eléctrica e puxá-la para longe das suas mãos, fazendo-o perder o controlo da mesma.
- ◆ **Não ligue a ferramenta eléctrica enquanto estiver a transportá-la ao seu lado.** Um contacto accidental do acessório rotativo com a sua roupa poderá prendê-la no mesmo, puxando o acessório na direcção do seu corpo.

- ◆ **Limpe regularmente as aberturas de ventilação da ferramenta eléctrica.** A ventoinha do motor irá puxar as partículas no interior da caixa da ferramenta e a acumulação excessiva de metal em pó poderá causar riscos eléctricos.
- ◆ **Não utilize a ferramenta eléctrica perto de materiais inflamáveis.** Estes materiais poderão ser inflamados por faíscas da ferramenta.
- ◆ **Não utilize acessórios que necessitem de líquidos de refrigeração.** A utilização de água ou outros líquidos de refrigeração poderá resultar em electrocussão ou choque eléctrico.

Nota: O aviso indicado acima não se aplica a ferramentas eléctricas concebidas especificamente para utilização com um sistema líquido.

Aviso relacionado com o efeito de coice e situações semelhantes

O efeito de coice é uma reacção súbita resultante do aperto ou bloqueio de um disco rotativo, de um disco de suporte, de uma catrabucha ou de qualquer outro acessório. O aperto ou bloqueio causa uma paragem rápida do acessório rotativo, o que, por sua vez, faz com que a ferramenta eléctrica seja impelida na direcção oposta à rotação do acessório no ponto de bloqueio.

Por exemplo, se um disco abrasivo ficar preso ou for apertado pela peça de trabalho, a extremidade do disco que estiver em contacto com o ponto de aperto pode penetrar a superfície do material, fazendo o disco subir ou saltar da peça. O disco poderá então saltar na direcção do utilizador ou para longe do mesmo, dependendo da direcção do movimento do disco no ponto de aperto. Os discos abrasivos podem também partir-se nestas condições.

O efeito de coice é o resultado de uma utilização abusiva da ferramenta eléctrica e/ou de condições ou procedimentos de utilização incorrectos e pode ser evitado tomando as precauções indicadas abaixo:

- ◆ **Segure a ferramenta eléctrica com firmeza e posicione o seu corpo e o seu braço de forma a poder resistir ao efeito de coice. Utilize sempre o punho auxiliar, caso este seja fornecido, para controlar ao máximo o efeito de coice ou a reacção do binário durante o arranque da ferramenta.** O utilizador pode controlar facilmente a reacção do binário ou o efeito de coice se forem tomadas as devidas precauções.
- ◆ **Nunca coloque a sua mão perto do acessório rotativo.** O efeito de coice poderá fazer o acessório saltar para cima da sua mão.
- ◆ **Não posicione o seu corpo na área para a qual a ferramenta eléctrica poderá saltar caso ocorra o efeito**

de coice. O efeito de coice irá projectar a ferramenta na direcção oposta ao movimento do disco no ponto de bloqueio.

- ◆ **Tenha especial cuidado ao utilizar a ferramenta em cantos, extremidades aguçadas, etc. Evite que o acessório salte ou fique preso na peça de trabalho.** Os cantos, as extremidades aguçadas ou o facto de o acessório rotativo saltar tendem a fazê-lo ficar preso na peça de trabalho e, consequentemente, a causar a perda do controlo da ferramenta ou a ocorrência do efeito de coice.
- ◆ **Não instale na ferramenta uma lâmina de corrente de serra para esculpir madeira ou uma lâmina de serra dentada.** Estas lâminas originam frequentemente o efeito de coice e a perda do controlo da ferramenta.

Avisos de segurança específicos para operações de desbaste e corte abrasivo:

- ◆ **Utilize apenas os tipos de disco recomendados para a sua ferramenta eléctrica e a protecção específica concebida para o disco seleccionado.** Os discos para os quais a ferramenta eléctrica não foi concebida não podem ser protegidos de forma adequada e, consequentemente, não são seguros.
- ◆ **A superfície de desbaste das rodas com depressão central deve ser montada abaixo da plaina da aba de protecção.** Uma roda montada incorrectamente que fique saliente através da plaina da aba de protecção não dispõe de protecção adequada.
- ◆ **A protecção tem de ser fixa com segurança à ferramenta eléctrica e posicionada de forma a proporcionar a máxima segurança possível, de modo a que apenas esteja exposta uma superfície mínima do disco na direcção do utilizador.** O resguardo ajuda a proteger o utilizador contra fragmentos do disco partido, qualquer contacto acidental com o disco e as faíscas podem queimar a roupa.
- ◆ **Os discos devem ser utilizados exclusivamente para as operações recomendadas. Por exemplo, não desbaste materiais com a parte lateral de um disco de corte.** Os discos de corte abrasivos destinam-se a efectuar desbastes periféricos e qualquer pressão lateral aplicada nestes discos poderá parti-los.
- ◆ **Utilize sempre encaixes de disco intactos com um tamanho e uma forma adequados para o disco seleccionado.** Os encaixes de disco apropriados suportam correctamente o disco, reduzindo assim a possibilidade de quebra do mesmo. Os encaixes para discos de corte poderão ser diferentes dos encaixes para discos de desbaste.
- ◆ **Não utilize discos gastos de ferramentas eléctricas maiores.** Os discos concebidos para ferramentas eléctricas maiores não são adequados para a velocidade

mais alta de uma ferramenta mais pequena e poderão fragmentar-se.

Avisos adicionais de segurança específicos para operações de corte abrasivo

- ◆ **Não utilize o disco de corte de forma forçada nem aplique uma pressão excessiva no mesmo. Não efectue cortes excessivamente profundos.** Utilizar o disco de forma forçada aumenta a respectiva carga de trabalho e a susceptibilidade à torção ou ao bloqueio do mesmo no corte, bem como a possibilidade de ocorrer o efeito de coice ou a fragmentação do disco.
- ◆ **Não posicione o seu corpo directamente atrás do disco rotativo.**
Quando o disco, no ponto da operação, estiver a afastar-se do seu corpo, o possível efeito de coice pode impelir o disco rotativo e a ferramenta eléctrica directamente contra si.
- ◆ **Quando o disco estiver a emperrar ou ao interromper um corte por qualquer razão, desligue a ferramenta eléctrica e segure-a sem se mexer até que o disco fique completamente imobilizado. Nunca retire o disco de corte do corte enquanto o disco estiver em movimento. Caso contrário, poderá ocorrer o efeito de coice.**
Investigue e tome acções correctivas para eliminar a causa do bloqueio do disco.
- ◆ **Não recomece a operação de corte na peça de trabalho. Deixe o disco alcançar a velocidade máxima e coloque a serra com cuidado no local do corte.** A roda poderá subir ou saltar da peça de trabalho ou emperrar se a ferramenta eléctrica for reiniciada em contacto com a peça.
- ◆ **Suporte quaisquer painéis ou peça de trabalho sobredimensionadas para minimizar o risco de aperto do disco e ocorrência do efeito de coice.** As peças de trabalho de grandes dimensões tendem a vergar sobre o seu próprio peso. É necessário colocar suportes por baixo da peça de trabalho em ambos os lados do disco, perto da linha de corte e da extremidade da peça.
- ◆ **Tenha especial cuidado ao efectuar um corte directo em paredes ou noutras áreas em que não seja possível visualizar quaisquer itens ocultos dentro das mesmas.** O disco poderá cortar a canalização de gás ou água, a cablagem eléctrica ou outros objectos que podem causar o efeito de coice.

Segurança de terceiros

- ◆ Este aparelho pode ser utilizado por crianças com 8 anos de idade ou mais e por pessoas que apresentem capacidades físicas, sensoriais ou mentais reduzidas ou que não possuam os conhecimentos e a experiência necessários, se forem vigiadas e instruídas acerca da utilização

do aparelho de uma forma segura e entenderem os perigos envolvidos.

- ◆ As crianças não devem brincar com o aparelho. A limpeza e manutenção não deverão ser efectuadas por crianças sem supervisão.

Riscos residuais

Podem surgir riscos residuais adicionais durante a utilização da ferramenta, que poderão não constar nos avisos de segurança incluídos. Estes riscos podem resultar de má utilização, uso prolongado, etc.

Mesmo com o cumprimento dos regulamentos de segurança relevantes e a implementação de dispositivos de segurança, alguns riscos residuais não podem ser evitados. Estes incluem:

- ◆ Ferimentos causados pelo contacto com peças em rotação/movimento.
- ◆ Ferimentos causados durante a troca de peças, lâminas ou acessórios.
- ◆ Ferimentos causados pela utilização prolongada de uma ferramenta. Quando utilizar uma ferramenta durante períodos prolongados, certifique-se de que faz pausas regularmente.
- ◆ Danos auditivos.
- ◆ Problemas de saúde causados pela inalação de poeiras resultantes da utilização da ferramenta (exemplo: trabalhos em madeira, especialmente carvalho, faia e MDF (painel de fibras de média densidade).)

Vibração

Os valores de emissão de vibração declarados na secção de dados técnicos e na declaração de conformidade foram medidos de acordo com o método de teste padrão fornecido pela norma EN 60745 e podem ser utilizados para comparar ferramentas. O valor de emissão de vibração declarado pode ainda ser utilizado numa avaliação preliminar de exposição.

Atenção! O valor de emissão de vibração durante a utilização real da ferramenta eléctrica pode ser diferente do valor declarado, dependendo da forma como a ferramenta é utilizada. O nível de vibração pode aumentar acima do nível indicado.

Quando avaliar a exposição da vibração para determinar as medidas de segurança exigidas pela Directiva 2002/44/CE para proteger pessoas que utilizem regularmente ferramentas eléctricas na sua actividade profissional, deve ser considerada uma estimativa de exposição de vibração, as condições reais de utilização e o modo de utilização da ferramenta, incluindo ainda todas as partes do ciclo de funcionamento, como os períodos de inactividade e espera da ferramenta, para além do tempo de funcionamento.

Quedas de tensão

As correntes de irrupção resultam em quedas de tensão momentâneas.

Se as condições da fonte de alimentação forem desfavoráveis, outro equipamento pode ser afectado.

Se a impedância do sistema da fonte de alimentação for inferior a 0,424 Ω , é pouco provável que ocorram distúrbios.

Etiquetas colocadas na ferramenta

Os seguintes pictogramas, assim como o código de data, estão indicados na ferramenta:



Atenção! Para reduzir o risco de ferimentos, o utilizador deve ler o manual de instruções.



Use óculos de protecção quando utilizar esta ferramenta.



Use protecção auricular quando utilizar esta ferramenta.

Segurança eléctrica



Esta ferramenta tem um isolamento duplo, por conseguinte, não é necessário um cabo à terra. Verifique sempre se a tensão da tomada de electricidade corresponde à voltagem indicada na placa com os requisitos de alimentação da ferramenta.

- ◆ Se o cabo de alimentação estiver danificado, deve ser substituído pelo fabricante ou por um Centro de assistência Stanley Fat Max autorizado para evitar quaisquer perigos.

Características

Esta ferramenta inclui algumas ou todas as seguintes características.

1. Interruptor de ligar/desligar
2. Botão de bloqueio
3. Botão de bloqueio
4. Punho lateral
5. Bloqueio do veio
6. Protecção

Montagem

Atenção! Antes de proceder à montagem, certifique-se de que a ferramenta está desligada e que a ficha foi retirada da tomada.

Montar e retirar a protecção (fig. A e B)

A ferramenta é fornecida com uma protecção para fins de desbaste. Se a unidade for concebida para efectuar

operações de corte, deve ser instalado uma protecção específica para esta operação.

Está disponível uma protecção adequada para operações de corte com o número de peça 1004484-01, que pode ser obtida através dos centros de assistência da Stanley Fat Max.

Instalação

- ◆ Coloque a ferramenta em cima de uma mesa com o veio (7) virado para cima.
- ◆ Instale a anilha com mola (8) sobre o veio e insira-a no ombro.
- ◆ Instale a protecção (6) na ferramenta, tal como indicado.
- ◆ Instale a flange (9) sobre o veio com as pontas salientes na direcção da protecção. Certifique-se de que os orifícios na flange ficam alinhados com os furos do parafuso.
- ◆ Fixe a flange com os parafusos (10). Certifique-se de que os parafusos estão totalmente apertados e que consegue rodar a protecção.

Remoção

- ◆ Utilize uma chave de parafusos para retirar os parafusos (10).
- ◆ Retire a flange (9), a protecção (6) e a anilha com mola (8). Guarde estas peças com cuidado.

Atenção! Nunca utilize a ferramenta sem a respectiva protecção.

Ajustar a protecção

A protecção pode ser rodada num ângulo de 90°.

- ◆ Rode a protecção conforme necessário.

Montar o punho lateral

- ◆ Enrosque o punho lateral (4) num dos orifícios de montagem na ferramenta.

Atenção! Utilize sempre o punho lateral.

Instalar e retirar os discos de desbaste ou de corte (fig. C - E)

Utilize sempre o tipo correcto de disco para a sua aplicação. Utilize sempre discos com o diâmetro e tamanho do furo correctos (consulte os dados técnicos).

Instalação

- ◆ Instale a protecção, tal como descrito acima.
- ◆ Instale a flange interior (11) no veio (7) conforme indicado (fig. C). Certifique-se de que a flange está localizada correctamente em ambos os lados planos do veio.
- ◆ Instale o disco (12) no veio (7) conforme indicado (fig. C). Se o disco tiver uma parte central elevada (13), certifique-se de que esta parte fica virada para a flange interior.
- ◆ Certifique-se de que o disco fica localizado correctamente na flange interior.

- ◆ Instale a flange exterior (14) no veio. Quando instalar um disco de desbaste, a parte central elevada na flange exterior deve ficar virada para o disco (A na fig. D). Quando instalar um disco de corte, a parte central elevada na flange exterior deve ficar virada para o disco (B na fig. D).
- ◆ Mantenha o bloqueio do veio (5) premido e aperte a flange exterior utilizando a chave de fendas de dois pinos (15) (fig. E).

Remoção

- ◆ Mantenha o bloqueio do veio (5) solto e aperte a flange exterior (14) utilizando a chave de fendas de dois pinos (15) (fig. E).
- ◆ Retire a flange exterior (14) e o disco (12).

Utilização

Atenção! Deixe a ferramenta funcionar ao seu próprio ritmo.

Não a sobrecarregue.

- ◆ Oriente o cabo com cuidado para impedir que seja cortado acidentalmente.
- ◆ Quando o disco de desbaste ou de corte toca na peça de trabalho, é produzida uma quantidade elevada de faíscas.
- ◆ Posicione sempre a ferramenta de maneira a que a protecção forneça um funcionamento ideal a partir do disco de desbaste ou corte.

Ligar e desligar

- ◆ Para ligar a ferramenta, prima o botão de desbloqueio (2) e depois o interruptor de ligar/desligar (1).
- ◆ Para um funcionamento em contínuo, prima o botão de bloqueio (3) e liberte o interruptor de ligar/desligar.
- ◆ Para desligar a ferramenta, liberte o interruptor de ligar/desligar. Para desligar a ferramenta em funcionamento contínuo, prima o interruptor de ligar/desligar uma vez e depois liberte-o.

Atenção! Não desligue a ferramenta em contacto com a peça de trabalho.

Funcionalidade de arranque suave

A funcionalidade de arranque suave permite o aumento progressivo da velocidade, de forma a evitar um puxão inicial da ferramenta aquando do respectivo arranque. Esta funcionalidade é particularmente útil ao trabalhar em espaços confinados.

Sem tensão

A função de corte de alimentação impede o arranque da rebarbadora sem o interruptor se houver uma falha na fonte de alimentação.

Sugestões para uma utilização ideal

- ◆ Segure a ferramenta com firmeza com uma mão à volta do punho lateral e a outra mão à volta do punho principal (fig. F).
- ◆ Quando efectuar o desbaste, mantenha sempre a ferramenta a um ângulo de cerca de 15° entre o disco e a superfície da peça de trabalho.

Manutenção

A ferramenta/aparelho com/sem fio da Stanley Fat Max foi concebida para funcionar durante um longo período de tempo com uma manutenção mínima. Uma utilização continuamente satisfatória depende de uma manutenção apropriada da ferramenta e de uma limpeza regular.

Atenção! Antes de efectuar qualquer manutenção em ferramentas eléctricas com/sem fio:

- ◆ Desligue o aparelho/ferramenta e retire a ficha da tomada.
- ◆ Também pode desligar e retirar a bateria do aparelho/ferramenta se esta tiver uma bateria separada.
- ◆ Também pode utilizar por completo a carga da bateria se estiver totalmente carregada e depois desligar a ferramenta.
- ◆ Desligue o carregador antes de limpá-lo. O carregador não requer manutenção, além do processo de limpeza normal.
- ◆ Limpe com regularidade as aberturas de ventilação no aparelho/ferramenta/carregador com uma escova macia ou um pano seco.
- ◆ Limpe a caixa do motor com um pano húmido. Não utilize produtos de limpeza abrasivos ou à base de solventes.
- ◆ Abra com regularidade o mandril e bata no mesmo para retirar qualquer pó do interior (caso esteja instalado).

Protecção do ambiente



Faça uma recolha de lixo selectiva. Os produtos e as baterias assinaladas com este símbolo não devem ser eliminados juntamente com o lixo doméstico normal.

Os produtos e baterias contêm materiais que podem ser recuperados ou reciclados, reduzindo a necessidade de matérias-primas.

Recicle os produtos eléctricos e as baterias de acordo com as disposições locais.

Dados técnicos

FMEG222 Tipo 1		
Tensão de entrada	V_{AC}	230
Entrada de potência	W	1.200
Velocidade nominal	min^{-1}	11.000
Diâmetro do disco	mm	125
Furo do disco	mm	22
Espessura máx. do disco		
discos de desbaste	mm	6
discos de corte	mm	3,5
Tamanho do veio		M14
Peso	kg	2,7
Nível de pressão acústica de acordo com a norma EN 60745:		
L_{pA} (pressão acústica) 91,0 dB(A), incerteza (K) 3 dB(A)		
L_{WA} (potência acústica) 102,0 dB(A), incerteza (K) 3 dB(A)		
Valores totais de vibração (soma vectorial triaxial) em conformidade com a norma EN60745:		
Esmerilagem da superfície ($a_{h,3D}$) 8,2 m/s^2 , incerteza (K) 1,5 m/s^2		

Declaração de conformidade da CE

DIRECTIVA "MÁQUINAS"



Rebarbadora angular FMEG222

A Stanley Fat Max declara que os produtos descritos em "dados técnicos" se encontram em conformidade com as seguintes normas e directivas:

EN60745-1:2009 +A11:2010; EN60745-2-3:2011+A2:2012 +A11:2014+A12:2014+A13:2015

Estes produtos estão também em conformidade com as Directivas 2006/42/CE, 2014/30/UE, 2011/65/UE.

Para obter mais informações, contacte a Stanley Fat Max através da morada indicada em seguida ou consulte o verso do manual.

O abaixo assinado é responsável pela compilação do ficheiro técnico e faz esta declaração em nome da Stanley Fat Max.

A. Smith
 Technical Director
 Stanley Fat Max Europe, 210 Bath Road, Slough,
 Berkshire, SL1 3YD, Reino Unido
 15/01/2019

Garantia

A Stanley Fat Max confia na qualidade dos seus produtos e oferece aos clientes uma garantia de 12 meses a partir da data de compra. Esta garantia é um complemento dos seus direitos estabelecidos por lei, não os prejudicando de forma alguma. A garantia é válida nos Estados-membros da União Europeia e nos países-membros da Zona Europeia de Comércio Livre.

Para accionar a garantia, esta deve estar em conformidade com os termos e condições da Stanley Fat Max e terá de apresentar comprovativos de compra ao vendedor ou a um agente de reparação autorizado. Os termos e condições da garantia de 1 ano da Stanley Fat Max e a localização do agente de reparação autorizado mais próximo pode ser obtido na Internet em www.2helpU.com ou contactando uma filial da Stanley Fat Max, cuja morada está indicada neste manual.

Visite o nosso Website www.stanley.eu/3 para registar o seu novo produto Stanley Fat Max e receber actualizações sobre novos produtos e ofertas especiais.

Avsedd användning

Din Stanley Fat Max FMEG222 vinkelslip är konstruerad för kapning av metall och murverk med hjälp av rätt slags kap- eller slipskiva. Verktøget är avsett för yrkesanvändare och privatkonsumenter.

Säkerhetsinstruktioner

Allmänna säkerhetsvarningar för elverktøg



Varning! Läs alla säkerhetsvarningar och instruktioner. Underlåtenhet att följa nedanstående varningarna och instruktionerna kan resultera i elektrisk stöt, eldsvåda och/eller allvarlig personskada.

Spara alla varningar och instruktioner för framtida referens

Termen "elverktøg" i varningarna syftar på ditt starkströmsdrivna (sladdanslutna) elverktøg eller batteridrivna (sladdlösa) elverktøg.

1. Säkerhet på arbetsområdet

- Håll arbetsområdet rent och ordentligt upplyst.** Belamrade eller mörka områden inbjuder till olyckor.
- Använd inte elektriska verktyg i explosiva atmosfärer, såsom i närvaron av lättantändliga vätskor, gaser eller damm.** Elektriska verktyg ge upphov till gnistor som kan antända dammet eller ångorna.
- Håll barn och åskådare borta medan du arbetar med ett elverktøg.** Distractioner kan göra att du förlorar kontrollen.

2. Elektrisk säkerhet

- Elverktøgets stickkontakt måste passa i uttaget.** Modifiera aldrig kontakten på något sätt. Använd inte några adapterpluggar med jordanslutna (jordade) elektriska verktyg. Icke modifierade kontakter och matchande uttag minskar risken för elektrisk stöt.
- Undvik kroppskontakt med jordanslutna eller jordade ytor såsom rör, värmeelement, spisar och kylskåp.** Det finns en ökad risk för elektrisk stöt om din kropp är jordanslutna eller jordad.
- Utsätt inte elektriska verktyg för regn eller våta förhållanden.** Vatten som kommer in i ett elverktøg ökar risken för elektrisk stöt.
- Använd inte sladden på fel sätt.** Använd aldrig sladden till att bära, dra eller koppla bort elverktøget från strömmen. Håll sladden borta från värme, olja, vassa kanter eller rörliga delar. Skadade eller tilltrasslade sladdar ökar risken för elektrisk stöt.
- När du arbetar med ett elverktøg utomhus, använd en förlängningsladd som lämpar sig för**

utomhusanvändning. Användning av en sladd som passar för utomhusanvändning minskar risken för elektrisk stöt.

- Om arbete med ett elverktøg i fuktiga utrymmen är oundvikligt, använd ett uttag som är skyddat med jordfelsbrytare (RCD).** Användning av en RCD minskar risken för elektrisk stöt.
- Personlig säkerhet**
 - Var koncentrerad, ha koll på vad du gör och använd sunt förnuft när du arbetar med ett elverktøg. Använd inte ett elverktøg när du är trött eller påverkad av droger, alkohol eller läkemedel.** Ett ögonblicks ouppmärksamhet när du arbetar med elektriska verktyg kan resultera i allvarlig personskada.
 - Använd personlig skyddsutrustning. Använd alltid skyddsglasögon.** Skyddsutrustning såsom dammskyddsmask, halksäkra säkerhetsskor, skyddshjälm eller hörselskydd som används när förhållandena kräver det minskar personskadorna.
 - Förhindra oavsiktlig start. Se till att strömbrytaren är i främläge innan du ansluter till strömkällan och/eller batteripaketet, lyfter upp eller bär verktyget.** Att bära elektriska verktyg med fingret på strömbrytaren eller att koppla strömmen till elektriska verktyg som har strömbrytaren på är att provocera olyckor.
 - Avlägsna eventuell justeringsnyckel eller skiftnyckel innan du startar elverktøget.** En skiftnyckel eller en nyckel som sitter kvar på en roterande del av elverktøget kan resultera i personskada.
 - Sträck dig inte för långt. Ha ordentligt fotfäste och balans hela tiden.** Detta möjliggör bättre kontroll av elverktøget i oväntade situationer.
 - Klä dig på lämpligt sätt. Bär inte lösa kläder eller smycken. Håll hår, beklädnad och handskar borta från delar i rörelse.** Lösa kläder, smycken eller långt hår kan fastna i rörliga delar.
 - Om maskinerna har anordningar för dammsug och -insamling, se till att dessa är anslutna och används på ett korrekt sätt.** Användning av dammuppsamling kan minska dammrelaterade faror.
 - Användning och skötsel av elverktøg**
 - Överbelasta inte elverktøget. Använd rätt elverktøg för ditt arbete.** Rätt elverktøg gör arbetet bättre och säkrare vid den hastighet som det har konstruerats för.
 - Använd inte elverktøget om strömbrytaren inte startar och stoppar det.** Ett elverktøg som inte kan kontrolleras med strömbrytaren är farligt och måste repareras.
 - Ta ur kontakten från strömkällan och/eller batteriet från elverktøget innan du gör några justeringar, byter tillbehör eller lagrar elverktøgen.** Sådana förebyggande

säkerhetsåtgärder minskar risken att oavsiktligt starta elverktuget.

- d. **Förvara elektriska verktyg som inte används utom räckhåll för barn, och låt inte personer som är obekanta med elverktuget eller med dessa instruktioner använda elverktuget.** Elektriska verktyg är farliga i händerna på otränade användare.
- e. **Underhåll elektriska verktyg. Kontrollera för feljustering eller om rörliga delar har fastnat, bristning hos delar och andra eventuella förhållanden som kan komma att påverka elverktugets funktion. Om det är skadat, se till att elverktuget blir reparerat före användning.** Många olyckor orsakas av dåligt underhållna elektriska verktyg.
- f. **Håll kapningsverktyg vassa och rena.** Det finns mindre risk att ordentligt skötta kapningsverktyg med vassa blad fastnar och de är lättare att kontrollera.
- g. **Använd elverktuget, tillbehören och verktygssatserna, etc. i enlighet med dessa instruktioner, och ta hänsyn till arbetsförhållandena och det arbete som ska utföras.** Att använda elverktuget för andra arbeten än de som det är avsett för kan resultera i en farlig situation.

5. Service

- a. **Se till att ditt elverktyg servas av en kvalificerad reparatör, som endast använder identiska reservdelar.** Detta säkerställer att elverktugets säkerhet upprätthålls.

Kompletterande säkerhetsvarningar för elverktyg



Varning! Kompletterande säkerhetsvarningar för slip- eller kapningsarbeten.

- ◆ **Detta elverktyg är avsett att fungera som slip- eller kapverktyg. Läs alla säkerhetsvarningar, instruktioner, illustrationer och specifikationer som levereras med detta elverktyg.** Underlåtenhet att läsa alla instruktioner som listas här nedan kan resultera i elektrisk stöt, eldsvåda och/eller allvarlig personskada.
- ◆ **Vi rekommenderar inte att arbetsmoment såsom slipning, trådborstning eller polering utförs med detta elverktyg.** Arbetsmoment för vilka elverktuget inte är konstruerat kan eventuellt ge upphov till fara och orsaka personskada.
- ◆ **Använd inte tillbehör som inte är specifikt konstruerade och rekommenderade av verktygstillverkaren.** Bara för att tillbehöret kan monteras på ditt elverktyg, garanterar inte detta en säker användning.
- ◆ **Tillbehörets nominella hastighet måste vara åtminstone samma som den maximala hastighet som anges på elverktuget.** Tillbehör som går snabbare än sin nominella hastighet kan gå sönder och splittras.
- ◆ **Ytterdiametern och tjockleken på ditt tillbehör måste vara inom elverktugets nominella kapacitet.** Tillbehör med fel storlek kan inte skyddas eller kontrolleras korrekt.
- ◆ **Pågångade tillbehörs gänga måste vara den samma som slipens spindelgänga.** För tillbehör monterade med flänsar måste spindelhålet på tillbehöret passa fixeringsdiametern på flänsen. Tillbehör med som inte matchar elverktugets monterade hårdvara kommer att gå obalanserat, vibrera för mycket och kan orsaka att man tappar kontrollen.
- ◆ **Använd inte ett skadat tillbehör. Inspektera tillbehören före varje användning, t.ex. om delar av slipskivorna har brutits bort eller om de är spruckna, om stödrondeller är spruckna, nötta eller extremt slitna.**
- ◆ **Om elverktyg eller tillbehör tappas, inspektera för ev. skada eller installera ett oskadat tillbehör. Efter inspektion och installation av ett tillbehör, placera dig själv och åskådare på sidan av det roterande tillbehörets plan och kör elverktuget med maximal hastighet utan belastning i en minut.** Skadade tillbehör kommer normalt att falla sönder under denna testkörning.
- ◆ **Använd personlig skyddsutrustning. Beroende på tillämpning, använd ansiktsskydd, skyddsglasögon eller säkerhetsglasögon. Efter vad som är lämpligt, bär dammskyddsmask, hörselskydd, handskar och verkstadsförkläde som klarar av att stoppa små slipande delar eller bitar av arbetsstycket.** Ögonskyddet måste klara av att stoppa flygande skräp som skapas av diverse arbetsmoment. Dammskyddsmasken eller respiratorn måste kunna filtrera partiklar som uppstår vid ditt arbete. Att utsättas för högt buller under lång tid kan orsaka hörselskador.
- ◆ **Håll åskådare på säkert avstånd från arbetsområdet. Alla som kommer in i arbetsområdet måste ha personlig skyddsutrustning.** Småbitar av arbetsstycket eller av ett trasigt tillbehör kan flyga iväg och orsaka personskada bortom det omedelbara arbetsområdet.
- ◆ **Håll elverktuget endast i de isolerade greppytorna när arbete utförs där det skärande tillbehöret kan komma i kontakt med dölda elledningar eller sin egen sladd.** Skärande tillbehör som kommer i kontakt med en strömförande ledning kan göra att oskyddade metalldelar av elverktuget blir strömförande och kan ge användaren en elektrisk stöt.
- ◆ **Placera sladden så att den inte kommer i kontakt med det roterande tillbehöret.** Om du tappar kontrollen kan sladden bli kapad eller fastna, och din hand eller arm kan dras in i det roterande tillbehöret.
- ◆ **Lägg aldrig ifrån dig elverktuget förrän tillbehöret har stannat helt och hållet.** Det roterande tillbehöret kan hugga tag i ytan och dra iväg verktyget så att du tappar kontrollen över det.

- ◆ **Kör inte elverktyget medan du bär det vid sidan.** Oavsiktlig kontakt med det roterande tillbehöret skulle kunna ta tag i dina kläder och dra in tillbehöret i din kropp.
- ◆ **Rengör regelbundet elverktygets lufthål.** Motorns fläkt kommer att dra in dammet i kåpan och för mycket metalldam som samlas där kan ge upphov till elektriska risker.
- ◆ **Använd inte elverktyget i närheten lättantändliga material.** Gnistor skulle kunna antända dessa material.
- ◆ **Använd inte tillbehör som kräver flytande kylmedel.** Användning av vatten eller andra flytande kylmedel kan leda till livsfarlig elstöt eller stöt.

Notera: Ovanstående varning gäller inte för elverktyg som har konstruerats speciellt för användning med ett vätskesystem.

Rekyl och varningar i samband med det

Rekyl är en plötslig reaktion på en fastklämd eller fastkörd roterande skiva, stödronnell, borste eller något annat tillbehör. Klämning eller fastkörning orsakar snabb överstegring av det roterande tillbehöret, som i sin tur tvingar det okontrollerade elverktyget i motsatt riktning mot tillbehörets rotation på det ställe där det har fastnat.

Om till exempel en slipskiva fastnar eller kläms av arbetsstycket, kan kanten på skivan som går in i klämpunkten gräva sig in i materialets yta och göra att skivan dras eller hoppar ut. Skivan kan antingen hoppa mot eller bort från användaren, beroende på skivans rörelseriktning vid klämpunkten. Slipskivor kan dessutom brytas sönder under dessa förhållanden.

Rekyl är resultatet av felanvändning av elverktyget och/eller felaktiga arbetsprocedurer eller arbetsförhållanden, och kan undvikas genom att vidta ordentliga försiktighetsåtgärder så som beskrivs här nedan:

- ◆ **Bibehåll ett fast grepp om elverktyget, och placera din kropp och arm så att de motverkar rekytkrafter.** Använd alltid extrahandtag, om sådant medföljer, för maximal kontroll över rekyl eller vridmoment-reaktion vid starten. Användaren kan kontrollera vridmomentreaktion eller rekytkrafter, om korrekta försiktighetsåtgärder vidtas.
- ◆ **Placera aldrig din hand nära roterande tillbehör.** Tillbehöret kan rekylera över din hand.
- ◆ **Placera inte din kropp inom det område dit elverktyget kommer att förflytta sig om rekyl inträffar.** Rekylen kommer att kasta verktyget i motsatt riktning mot skivans rörelse vid klämpunkten.
- ◆ **Var speciellt försiktig när du bearbetar hörn, vassa kanter, etc. undvik att tillbehöret studsar och kör fast.** Hörn, vassa kanter eller studsande har en tendens att

hugga tag i det roterande tillbehöret och orsaka kontrollförlust eller rekyl.

- ◆ **Montera inte en sägdejeklinga för träsnideri eller en tandad sägklinga.** Sådana klingor ger ofta upphov till rekyl och förlust av kontroll.

Säkerhetsvarningar speciellt för slipnings- och kapningsarbeten:

- ◆ **Använd enbart de typer av skivor som är rekommenderade för ditt elverktyg och det skydd som är avsett speciellt för den valda skivan.** Skivor som elverktyget inte är konstruerat för kan inte skyddas ordentligt och är inte säkra.
- ◆ **Slipytan på slipskivor med intryckt centrum måste monteras under skyddsklackens nivå.** En felaktigt monterad skiva som sticker ut ovanför skyddsklackens nivå kan inte skyddas ordentligt.
- ◆ **Skyddet måste fästas säkert på elverktyget och placeras för maximal säkerhet, så att så litet som möjligt av skivan är exponerad mot användaren.** Skyddet bidrar till att skydda användaren från lösbrutna skivfragment, oavsiktlig kontakt med skivan och gnistor som kan antända kläderna.
- ◆ **Skivorna får bara användas för rekommenderade tillämpningar. Exempelvis: Slipa inte med sidan på en kapskiva.** Slipande kapskivor är avsedda för slipning med ytterkanten; om dessa skivor utsätts för sidokrafter kan de splittras.
- ◆ **Använd alltid oskadade skivflansar som har korrekt storlek och form för din valda skiva.** Rätt skivflansar stöder skivan och reducerar på så sätt risken att den går sönder. Flansar för kapskivor kan vara annorlunda än flansar för slipskivor
- ◆ **Använd inte nedslitna skivor från större elverktyg.** Skivor som är avsedda för större elverktyg lämpar sig inte för den högre hastigheten hos mindre verktyg och kan brytas sönder.

Ytterligare säkerhetsvarningar specifikt för slipande kapningsarbeten

- ◆ **Låt inte kapskivan "fastna" och tryck inte för hårt på verktyget. Försök inte göra ett alltför djupt snitt.** Att belasta skivan för mycket ökar risken och sannolikheten för att skivan ska vridas eller kärva i snittet och möjligheten för rekyl eller att skivan går sönder.
- ◆ **Placera inte din kropp i linje med eller bakom den roterande skivan.** När skivan, på arbetspunkten rör sig bort ifrån din kropp, kan en eventuell rekyl slunga den roterande skivan och elverktyget rakt mot dig.
- ◆ **När skivan kärvar fast eller när du avbryter ett snitt av någon orsak, stäng av elverktyget och håll elverktyget stilla tills skivan har stannat helt och hållet. Försök aldrig**

ta ut kapskivan ur snittet medan den fortfarande snurrar eftersom det kan leda till en reky. Undersök varför skivan har fastnat och avlägsna orsaken till detta.

- ◆ **Starta inte kapningen på nytt i arbetsstycket. Låt skivan nå full hastighet och återgå försiktigt till kapningen.** Skivan kan fastna, vandra upp eller rekylera om verktyget startas om i arbetsstycket.
- ◆ **Stöd skivor eller stora arbetsstycken för att minimera risken att skivan fastnar och rekylerar.** Stora arbetsstycken tenderar att svikta under sin egen vikt. Stöd måste placeras under arbetsstycket nära kaplinjen och nära kanten på arbetsstycket på båda sidor av skivan.
- ◆ **Var speciellt försiktig när du skär in ett "urtag" i en existerande vägg eller andra dolda områden.** Det utstickande skivan kan skära in i vattenrör, elledningar eller objekt som kan orsaka en reky.

Andras säkerhet

- ◆ Detta verktyg kan användas av barn från 8 år och personer med nedsatt fysisk eller psykisk förmåga eller bristande erfarenhet eller kunskap, om de övervakas eller får instruktioner om hur apparaten används och är medvetna om riskerna.
- ◆ Barn ska inte leka med apparaten. Rengöring och användarunderhåll ska inte utföras av barn utan övervakning.

Återstående risker

Ytterligare risker som inte finns med i de bifogade säkerhetsanvisningarna kan uppstå när verktyget används. Dessa risker kan uppstå vid felaktig eller långvarig användning, etc.

Även om alla relevanta säkerhetsanvisningar följs och säkerhetsanordningar används kan vissa ytterligare risker inte undvikas. Dessa omfattar:

- ◆ Skador orsakade av att roterande/rörliga delar vidrörs.
- ◆ Skador som uppstår vid byte av delar, klingor eller tillbehör.
- ◆ Skador som orsakas av långvarig användning av ett verktyg. Se till att regelbundet ta vilopausar när du använder ett verktyg under en längre period.
- ◆ Nedsatt hörsel.
- ◆ Hälsorisker till följd av inandning av damm när redskapet används (exempel: arbete med trämaterial, särskilt ek, bok och MDF.)

Vibrationer

De vibrationsvärden som anges i avsnitten Tekniska data och deklARATIONEN om överensstämmelse har uppmätts i enlighet med en standardtestmetod föreskriven i EN 60745 och kan användas för jämförelse med andra verktyg. Det angivna vibrationsvärdet kan även användas för en preliminär bedömning av exponeringen.

Varning! Vibrationsvärdet under faktisk användning av elverktyget kan skilja sig från det uppgivna värdet beroende

på hur verktyget används. Vibrationsnivån kan överstiga den uppgivna nivån.

Vid uppskattningar av exponering för vibrationer i syfte att bedöma vilka säkerhetsåtgärder som är nödvändiga enligt 2002/44/EG för att skydda personer som regelbundet använder elverktyg i arbetet ska man utgå från de faktiska omständigheter under vilka elverktyget används och sättet på vilket det används.

Bedömningen ska även ta hänsyn till alla moment i arbetscykeln, t.ex. när verktyget är avstängt och när det går på tomgång såväl som när det faktiskt används.

Spänningsfall

Inkopplingsströmmar orsakar kortvariga spänningsfall.

Om strömförsörjningen är bristfällig kan andra apparater påverkas.

Om strömförsörjningens systemimpedans är lägre än 0.424 Ω, är det osannolikt att störningar uppstår.

Etiketter på verktyget

Följande symboler tillsammans med datumkod finns på verktyget:



Varning! För att minska risken för personskada, måste användaren läsa bruksanvisningen.



Använd skyddsglasögon när du använder detta verktyg.



Använd hörselskydd när du använder detta verktyg.

Elektrisk säkerhet



Detta verktyg är dubbelt isolerat; av den orsaken krävs ingen jordledning. Kontrollera alltid att spänningen på nätet motsvarar den spänning som finns angiven på märkplåten.

- ◆ Om strömsladden är skadad måste den för att undvika risker bytas ut av ett auktoriserat Stanley Fat Max servicecenter.

Egenskaper

Detta verktyg har en del av dessa eller alla dessa egenskaper.

1. Strömbrytare
2. Läs av knapp
3. Lås på knapp
4. Sidohandtag
5. Spindellås
6. Skydd

Montering

Varning! Se till att verktyget är avstängt och fränkopplat från elnätet före monteringen.

Montering och borttagning av skyddet (fig. A & B)

Verktyget är försett med ett skydd avsett endast för sliparbeten. Om kapningsarbeten ska genomföras med enheten, måste ett speciellt skydd för detta arbete monteras. Ett skydd som lämpar sig för kapningsarbeten finns tillgängligt med reservdelnummer 1004484-01 och kan anskaffas från ett Stanley Fat Max servicecenter.

Montering

- ◆ Placera verktyget på ett bord, med spindeln (7) vänd uppåt.
- ◆ Sätt fjäderbrickan (8) på spindeln och placera den på skuldran.
- ◆ Placera skyddet (6) på maskinen på visat sätt.
- ◆ Placera flänsen (9) över spindeln med de utstående tapparna mot skyddet. Se till att hålen i flänsen är inriktade enligt skruvhålen.
- ◆ Sätt fast flänsen med skruvarna (10). Se till att skruvarna är ordentligt spända och att skyddet kan roteras.

Demontering

- ◆ Avlägsna skruvarna (10) med en skruvmejsel.
- ◆ Avlägsna flänsen (9), skyddet (6) och fjäderbrickan (8). Förvara dessa delar omsorgsfullt.

Varning! Använd aldrig verktyget utan skyddet.

Ställa in skyddet

Skyddet kan vridas 90°.

- ◆ Vrid skyddet på önskat sätt.

Montering av sidohandtaget

- ◆ Skruva fast sidohandtaget (4) i ett av verktygets monteringshål.

Varning! Använd alltid sidohandtaget.

Montera och demontera slip- eller kapskivor (fig. C - E)

Använd alltid rätt slags skiva för ditt arbete. Använd alltid skivor med rätt diameter och hålstorlek (se de tekniska specifikationerna).

Montering

- ◆ Montera skyddet enligt ovanstående beskrivning.
- ◆ Placera den inre flänsen (11) på spindeln (7) enligt (fig. C). Säkerställ att flänsen är korrekt placerad på de platta sidorna av spindeln.
- ◆ Placera skivan (12) på spindeln (7) enligt (fig. C). Om skivan har ett upphöjt center (13), se till att det upphöjda centret är riktat mot den inre flänsen.

- ◆ Säkerställ att skivan är korrekt placerad på den inre flänsen.
- ◆ Placera den yttre flänsen (14) på spindeln. Om en slipskiva monteras, måste det upphöjda centret på den yttre flänsen vara riktad mot skivan (A i fig. D). Om en kapskiva monteras, måste det upphöjda centret på den yttre flänsen vara riktad bort från skivan (B i fig. D).
- ◆ Håll spindelläset (5) intryckt och spänn den yttre flänsen med nyckeln med två tappar (15) (fig. E).

Demontering

- ◆ Håll spindelläset (5) intryckt och öppna den yttre flänsen (14) med nyckeln med två tappar (15) (fig. E).
- ◆ Avlägsna den yttre flänsen (14) och skivan (12).

Användning

Varning! Låt verktyget arbeta i sin egen takt. Överbelasta det inte.

- ◆ För kabeln försiktigt så att du inte slipar av den i misstag.
- ◆ Var beredd på ett gnistregn när slip- eller kapskivan vidrör arbetsstycket.
- ◆ Placera alltid verktyget så, att skyddet ger optimalt skydd från slip- eller kapskivan.

Slå på och stänga av

- ◆ För att slå på verktyget, tryck på lås-av knappen (2) och därefter på till/från brytaren (1).
- ◆ För kontinuerlig drift, tryck på lås-på knappen (3) och släpp till/från knappen.
- ◆ För att stänga av verktyget, släpp till/från brytaren. För att stänga av maskinen vid kontinuerlig drift, tryck en gång till på till/från brytaren och släpp den.

Varning! Stäng inte av verktyget när det är belastat.

Mjukstartsfunktion

Mjukstartsfunktionen möjliggör en acceleration från låg hastighet för att undvika ett ryck vid starten. Denna egenskap är särskilt användbar vid arbete i trånga utrymmen.

Strömavbrott

Strömavbrott-funktionen förhindrar att vinkelslipen startar om trots att omkopplaren inte har återställts efter ett avbrott i strömförsörjningen.

Råd för optimal användning

- ◆ Håll i verktyget stadigt med en hand runt sidohandtaget och den andra handen runt huvudhandtaget (fig. F).
- ◆ Håll alltid skivan i en vinkel på ca. 15° till arbetsstyckets yta när du slipar.

Underhåll

Ditt Stanley Fat Max kabelanslutna/sladdlösa verktyg har konstruerats för att fungera länge med minimalt underhåll.

Kontinuerlig tillfredsställande drift beror på ordentlig verktygsvård och regelbunden rengöring.

Varning! Innan några som helst serviceåtgärder genomförs på kabelanslutna/sladdlösa elverktyg:

- ◆ Stäng av och koppla bort apparaten/verktyget från eluttaget.
- ◆ Eller stäng av och avlägsna batteriet från apparaten/verktyget om den/det har ett separat batteripaket.
- ◆ Eller om batteriet är inbyggt måste du köra det helt tomt och sedan stänga av.
- ◆ Koppla bort laddaren från eluttaget innan du rengör den. Din laddare kräver ingen annan service än regelbunden rengöring.
- ◆ Rengör regelbundet din apparats/verktygs/laddares ventilationsöppningar med en mjuk borste eller en torr trasa.
- ◆ Rengör motorhöljet regelbundet med en fuktig trasa. Använd inga slipande eller lösningsmedelhaltiga rengöringsmedel.
- ◆ Öppna tegelbundet chocken (om monterad) och knacka på den för att avlägsna damm från dess insida.

Skydda miljön



Separat insamling. Produkter och batterier som är markerade med denna symbol får inte kastas in de vanliga hushållssoporna.

Produkterna och batterierna innehåller material som kan återvinnas eller återanvändas, vilket sänker behovet av råmaterial. Återvinn elprodukter och batterier i enlighet med lokala bestämmelser.

Tekniska specifikationer

		FMEG222 Typ
Ingångsspänning	V_{AC}	230
Ingångeffekt	W	1 200
Klassad hastighet	min^{-1}	11 000
Skivdiameter	mm	125
Skivhål	mm	22
Maximal skivtjocklek		
slipskivor	mm	6
kapskivor	mm	3,5
Spindlestorlek		M14
Vikt	kg	2,7

Ljudtrycksnivå enligt EN 60745:

L_{PA} (ljudtryck) 91,0 dB(A), osäkerhet (K) 3 dB(A)

L_{WA} (ljudeffekt) 102,0 dB(A), osäkerhet (K) 3 dB(A)

Vibration totalvärde (triaxvektor-summa) enligt EN60745:

Slipning ($a_{n,ISO}$) 8,2 m/s^2 , osäkerhet (K) 1,5 m/s^2

EG Försäkran om överensstämmelse MASKINDIREKTIV



FMEG222 Vinkelslip

Stanley Fat Max deklarerar att dessa produkter, beskrivna under "tekniska specifikationer" uppfyller: EN60745-1:2009 +A11:2010; EN60745-2-3:2011+A2:2012 +A11:2014+A12:2014+A13:2015

De här produkterna överensstämmer även med direktiven 2006/42/EC, 2014/30/EU 2011/65/EU.

För mer information, var god kontakta Stanley Fat Max på följande adress, eller se handbokens baksida.

Undertecknad är ansvarig för sammanställning av den tekniska filen och gör denna förklaring på Stanley Fat Maxs vägnar.

A. Smith
Technical Director

Stanley Fat Max Europe, 210 Bath Road, Slough,
Berkshire, SL1 3YD, Storbritannien

15/01/2019

Garanti

Stanley Fat Max är säker på kvaliteten hos denna produkt och erbjuder kunder 12 månaders garanti från datumet för inköpet. Garantin gäller utöver konsumentens rättigheter enligt lag och påverkar inte dessa. Garantin är giltig i de territorier som tillhör medlemsstaterna i Europeiska unionen och det europeiska frihandelsområdet.

För yrkande under garantin måste yrkandet vara i enlighet med Stanley Fat Max villkor och du kommer att behöva skicka in bevis på köpet till försäljaren eller en auktoriserad reparatör. Villkoren för Stanley Fat Max ettåriga garanti och var du hittar din närmaste auktoriserade reparatör kan erhållas på internet på www.2helpU.com, eller genom att kontakta ditt lokala Stanley Fat Max kontor på adressen som angetts i denna bruksanvisning.

Besök vår webbsida www.stanley.eu/3 för att registrera din nya Stanley Fat Max-produkt samt för att få information om nya produkter och specialerbjudanden.

Tiltenkt bruk

Stanley Fat Max FMEG222 vinkelslipere er designet for sliping og kapping av metall og murverk ved hjelp av passende kappe- eller slipeskiver. Dette verktøyet er tiltenkt både fagarbeidere og private brukere.

Sikkerhetsinstruksjoner

Generelle sikkerhetsadvarsler for elektriske verktøy



Advarsel! Les alle sikkerhetsadvarsler og alle instruksjoner. Manglende overholdelse av advarslene og instruksjonene kan resultere i elektrisk sjokk, brann og/eller alvorlig skade.

Lagre alle advarsler og instruksjoner

for fremtidig bruk. Uttrykket "elektrisk verktøy" i advarslene henviser til ditt strømdrevne (med ledning) elektriske verktøy eller ditt batteridrevne (uten ledning) elektriske verktøy.

1. Sikkerhet på arbeidsområdet

- Hold arbeidsområdet rent og godt opplyst.** Rotete eller mørke områder er en invitasjon til ulykker.
- Ikke bruk elektriske verktøy i eksplosive omgivelser, slik som i nærheten av antenkelige væsker, gasser eller støv.** Elektriske verktøy skaper gnister som kan antenne støv eller gasser.
- Hold barn og tilskuere borte mens du bruker elektriske verktøy.** Distraksjoner kan føre til at du mister kontrollen.

2. Elektrisk sikkerhet

- Støpselet til elektriske verktøy må passe til stikkkontakten. Aldri modifier støpselet på noen måte. Ikke bruk adaptere med jordede elektriske verktøy.** Umodifiserte støpsler og stikkontakter som passer vil redusere risikoen for elektrisk støt.
- Unngå kroppskontakt med jordete overflater slik som rør, radiatorer, komfyrer og kjøleskap.** Det er økt risiko for elektrisk støt dersom kroppen din er jordet.
- Ikke eksponer elektriske verktøy for regn eller våte forhold.** Dersom det kommer vann inn i et elektrisk verktøy vil det øke risikoen for elektrisk støt.
- Ikke bruk ledningen feil. Aldri bruk ledningen til å bære, trekke eller dra ut støpselet til det elektriske verktøyet. Hold ledningen borte fra varme, olje, skarpe kanter eller bevegelige deler.** Skadede eller flokede ledninger øker risikoen for elektrisk støt.
- Når du bruker et elektrisk verktøy utendørs, bruk en skjøteledning som er egnet for utendørs bruk.** Bruk av en skjøteledning beregnet for utendørs bruk reduserer risikoen for elektrisk støt.

- Dersom bruk av et elektrisk verktøy på et fuktig sted er uunngåelig, bruk en strømkilde med jordfeilbryter (RCD).** Bruk av jordfeilbryter (RCD) reduserer risikoen for elektrisk støt.

3. Personlig sikkerhet

- Hold deg våken, hold øye med det du gjør og bruk sunn fornuft når du bruker et elektrisk verktøy. Ikke bruk et elektrisk verktøy dersom du er trøtt eller er påvirket av medikamenter, narkotika eller alkohol.** Ett øyeblikks uoppmerksomhet under bruk av elektriske verktøy kan føre til alvorlig personskade.
- Bruk personlig verneutstyr. Bruk alltid vernebriller.** Verneutstyr slik som støvmaske, skliskre vernesko, hjelm, eller hørselsvern brukt under passende forhold vil redusere personskader.
- Unngå utilsikket oppstart. Sikre at bryteren er i avstillingen før du kobler til strømkilden og/eller batteripakken, plukker opp eller bærer verktøyet.** Å bære elektriske verktøy med fingeren på bryteren eller å sette inn støpselet mens elektriske verktøy har bryteren på øker faren for ulykker.
- Fjern eventuelle justeringsnøkler før du slår på det elektriske verktøyet.** En nøkkel som er festet til en roterende del av det elektriske verktøyet kan føre til personskade.
- Ikke strekk deg for langt. Ha godt fotfeste og stå støtt hele tiden.** Dette fører til at du har bedre kontroll over det elektriske verktøyet ved uventede situasjoner.
- Bruk egnet antrekk. Ikke ha på deg løstsittende klær eller smykker. Hold hår, antrekk og hansker borte fra bevegelige deler.** Løstsittende klær, smykker og langt hår kan bli fanget opp av bevegelige deler.
- Hvis apparatet er utstyrt for tilkobling av støvutsugings- og -oppsamlingsinnretning, må du sørge for at disse er koblet til og ordentlig sikret.** Bruk av støvoppsamlere kan redusere støvrelaterte farer.

4. Bruk og vedlikehold av elektriske verktøy

- Ikke bruk kraft på verktøyet. Bruk det elektriske verktøyet som situasjonen krever.** Det riktige elektriske verktøyet vil gjøre jobben bedre og tryggere ved den hastigheten det ble konstruert for.
- Ikke bruk verktøyet hvis bryteren ikke kan slå verktøyet av eller på.** Ethvert elektrisk verktøy som ikke kan kontrolleres med bryteren er farlig og må repareres.
- Koble støpselet fra strømkilden og/eller batteripakken fra det elektriske verktøyet før du foretar noen justeringer, endrer tilbehør eller lagrer elektriske verktøy.** Slike preventive sikkerhetsforanstaltninger reduserer risikoen for å starte det elektriske verktøyet ved et uhell.

- d. **Lagre elektriske verktøy som ikke er i bruk, utilgjengelig for barn og la ikke personer som ikke er kjent med det elektriske verktøyet eller disse instruksjonene bruke det.** Elektriske verktøy er farlige i hendene på utrenede brukere.
- e. **Vedlikehold elektriske verktøy. Kontroller om bevegelige deler er feiljustert eller fastskjært, om deler er ødelagt eller andre forhold som kan påvirke driften av verktøyet. Dersom det er skadet, få verktøyet reparert før neste bruk.** Mange ulykker forårsakes av dårlig vedlikeholdte verktøy.
- f. **Hold skjæreverktøy skarpe og rene.** Godt vedlikeholdte skjæreverktøy med skarpe skjærekanter setter seg mindre sannsynlig fast og er lettere å kontrollere.
- g. **Bruk verktøyet, tilbehørene og bittene, osv., i samsvar med disse instruksjonene og ta i betraktning arbeidsforholdene og det arbeidet som skal utføres.** Bruk av det elektriske verktøyet for oppgaver som er forskjellige fra de som er tiltenkt kan føre til en farlig situasjon.

5. Service

- a. **Få det elektriske verktøyet ditt vedlikeholdt av en kvalifisert reparatør som kun bruker originale reservedeler.** Dette vil sikre at verktøyets sikkerhet blir ivaretatt.

Ekstra sikkerhetsadvarsler for elektriske verktøy



Advarsel! Ekstra sikkerhetsadvarsler for sliping eller kapping

- ◆ **Dette elektriske verktøyet er ment til bruk som slipemaskin eller kutteverktøy. Les alle sikkerhetsanvisninger, instruksjoner, illustrasjoner og spesifikasjoner som følger dette elektriske verktøyet.** Manglende overholdelse av instruksjonene som er listet opp under kan resultere i elektroshock, ild og/eller alvorlig skade.
- ◆ **Bruk til f.eks. pussing, børsting med stålborste og polering anbefales ikke med dette elektroverktøyet.** Dersom elektroverktøyet brukes til andre oppgaver enn det er tiltenkt, kan det føre til fare og forårsake personskade.
- ◆ **Ikke bruk tilbehør som ikke er spesifikt konstruert og anbefalt fra produsenten av verktøyet.** Selv om tilbehøret kan kobles til elektroverktøyet, sikrer ikke dette trygg drift.
- ◆ **Merket hastighet på tilbehøret må være minst lik maksimal hastighet som er angitt på elektroverktøyet.** Tilbehør som går fortere enn merkehastigheten sin, kan bli ødelagt og fly i stykker
- ◆ **Utvendig diameter og tykkelse på tilbehøret må være innenfor nominell kapasitet for elektroverktøyet.** Tilbehør av feil størrelse kan ikke sikres og kontrolleres tilstrekkelig.
- ◆ **Gjenget feste på tilbehør må passe til slipemaskinens gjenger. For tilbehør montert på flens, må senterhullet på tilbehøret passe til diameteren på flensen.** Tilbehør som ikke passer monteringsdelene på elektroverktøyet, vil rotere eksentrisk, vibrere for mye og kan føre til at du mister kontrollen.
- ◆ **Ikke bruk skadet tilbehør. Før hver bruk må du inspirere tilbehøret, som slipeskiver, for hakk og sprekker, festeplatene må inspiseres for sprekker, rifter eller slitasje.**
- ◆ **Dersom elektroverktøyet eller tilbehøret slippes ved et uhell, må du kontrollere om det er skadet eller montere uskadet tilbehør. Etter å ha inspisert og installert et tilbehør, still deg selv og eventuelle tilstedeværende bort fra planet for det roterende tilbehøret og kjør elektroverktøyet på maksimal, ubelastet hastighet i ett minutt.** Skadet tilbehør vil normalt rives i stykker under denne testen.
- ◆ **Bruk personlig verneutstyr. Avhengig av bruksområdet må du bruke ansiktsvern eller vernebriller. Bruk støvmaske, hørselvern, hansker og verkstedforkle som kan stoppe små slipefragmenter eller deler fra arbeidsstykket.** Øyebeskyttelsen må kunne stoppe flygende biter som kan løsne fra arbeidsstykket. Støvmasken eller åndedrettsvernet må kunne filtrere partikler som oppstår under arbeid. Langvarig eksponering for høyintensiv støy kan føre til hørselstap.
- ◆ **Hold tilstedeværende på trygg avstand fra arbeidsområdet. Personer som går inn i arbeidsområdet, må bruke personlig verneutstyr.** Fragmenter fra arbeidsstykket eller ødelagt tilbehør kan fly av gårde, og kan føre til skader langt ut over det umiddelbare arbeidsområdet.
- ◆ **Hold det elektriske verktøyet kun i isolerte gripeoverflater når du utfører operasjoner hvor kutteutstyret kan komme i kontakt med skjulte ledninger eller egen ledning.** Kapping av en strømførende ledning kan føre til at eksponerte metalldeleer på elektroverktøyet blir strømførende, og kan gi operatøren støt.
- ◆ **Plasser ledningen slik at den ikke kommer i kontakt med roterende tilbehør.** Hvis du mister kontrollen, kan ledningen bli kuttet av eller henge seg fast, og hånden eller armen din kan bli dratt inn i det roterende tilbehøret.
- ◆ **Ikke legg elektroverktøyet fra deg før tilbehøret har stanset helt.** Det roterende tilbehøret kan ta tak i overflaten og trekke elektroverktøyet ut av kontrollen din.

- ◆ **Ikke la elektroverktøyet gå mens du bærer det langs siden din.** Utisiktet kontakt med det roterende tilbehøret kan føre til at det kjører seg fast i klærne dine og trekker tilbehøret inn i kroppen din.
- ◆ **Luftåpningene på elektroverktøyet må rengjøres regelmessig.** Motorviften vil trekke støvet inn i kabinettet, og overskytende oppsamling av forstøvet metall kan føre til elektriske farlige situasjoner.
- ◆ **Ikke bruk elektroverktøyet i nærheten av antennelige materialer.** Gnister kan antenne dette materialet.
- ◆ **Ikke bruk tilbehør som krever flytende kjølemidler.** Bruk av vann eller andre flytende kjølemidler kan føre til elektrisk støt eller sjokk.

Merk: Advarselen over gjelder ikke elektriske verktøy som er spesielt designet for bruk med væsker.

Advarsler om tilbakeslag og lignende

Tilbakeslag er en plutselig reaksjon på et fastklemt eller fastkjørt roterende skive, støttetallerken, børste eller annet tilbehør. Fastklemming eller fastkjøring forårsaker at det roterende tilbehøret stopper raskt, hvilket i sin tur forårsaker at det ukontrollerbare elektroverktøyet slynges i motsatt retning i forhold rotasjonsretningen på tilbehøret.

For eksempel, hvis en slipeskive kjøres fast eller klemmes fast i arbeidsstykket, kan kanten av den skiven som går inn i klempunktet grave seg inn i overflaten på materialet og føre til at skiven hopper ut eller kastes ut. Skiven kan enten hoppe mot eller bort fra brukeren, avhengig av hvilken vei skiven roterte da den klemte seg fast. Slipeskiver kan også bli ødelagt under slike forhold.

Tilbakeslag er resultatet av feil bruk av verktøyet og/eller feil driftsprosedyrer eller betingelser, og kan unngås ved å treffe skikkelige forholdsregler, som angitt nedenfor.

- ◆ **Sørg for et godt grep på elektroverktøyet, og plasser kroppen og armene slik at du kan stå imot tilbakeslagskrefter.** Bruk alltid hjelpehåndtaket, dersom montert, for maksimal kontroll på tilbakeslag eller momentreaksjon under oppstart. Brukeren kan kontrollere momentreaksjonen eller tilbakeslagskreftene hvis det er tatt tilstrekkelige forholdsregler.
- ◆ **Plasser aldri hånden i nærheten av det roterende tilbehøret.** Tilbehøret kan slå tilbake over hånden.
- ◆ **Ikke plasser kroppen i det området elektroverktøyet vil bevege seg hvis det oppstår tilbakeslag.** Et tilbakeslag vil drive fram verktøyet i motsatt retning av skivens rotasjonsretning i det punktet der den kjørte seg fast.
- ◆ **Vær spesielt forsiktig ved arbeid i hjørner, ved skarpe kanter osv. Unngå at tilbehøret hopper eller kjører seg fast.** Hjørner, skarpe kanter eller hopping har en tendens

til å kjøre fast det roterende tilbehøret og føre til tilbakeslag eller at du mister kontrollen.

- ◆ **Ikke bruk sagkjedeblad eller et tannet sagblad.** Slike blad fører ofte til tilbakeslag og at du mister kontrollen.

Spesifikke sikkerhetsadvarsler for sliping og kappeoperasjoner:

- ◆ **Bruk kun skivetyper som anbefales for ditt elektroverktøy og den spesifiserte verneanordningen for den valgte skiven.** Skiver som elektroverktøyet ikke ble laget for, er ikke tilstrekkelig beskyttet og er farlige.
- ◆ **Slipeflaten på hjul med senterforsenking må monteres under planet på beskyttelseskanten.** Feilmontert hjul som går utenfor planet på beskyttelseskanten kan ikke beskyttes tilstrekkelig.
- ◆ **Beskyttelsen må festes forsvarlig til elektroverktøyet og stilles inn for maksimale sikkerhet, slik at minst mulig av skiven eksponeres mot brukeren.** Beskyttelsen verner brukeren mot fragmenter fra ødelagte skiver, utisiktet kontakt med skiven og gnister som kan antenne tøyet.
- ◆ **Skiver må kun brukes for anbefalte operasjoner. For eksempel: ikke slip med siden av kappeskiven.** Slipende kappeskiver er laget for kantsliping, dersom det brukes sidekrefter på disse skivene kan det få dem til å knuses.
- ◆ **Bruk alltid uskadede skiveflenser av korrekt størrelse og form for den valgte skiven.** Riktige skiveflenser støtter skiven og reduserer på den måten muligheten for at skiven ødelegges. Flenser for kappeskiver kan være annerledes enn flenser for slipeskiver.
- ◆ **Ikke bruk nedslitte skiver fra større elektroverktøy.** Skiver beregnet på større elektroverktøy er ikke egnet for den høyere hastigheten til et mindre verktøy og kan ødelegges.

Ytterligere sikkerhetsadvarsler spesielt for slipende kappeoperasjoner

- ◆ **Ikke stopp kappeskiven eller bruk for mye makt. Ikke forsøk å kutte for dypt.** Overbelastning av skiven øker lasten og sjansen for at skiven vrir seg eller binder skiven under kapping og muligheten for tilbakeslag eller ødeleggelse av skiven.
- ◆ **Ikke still kroppen din i banen til eller bak den roterende skiven.** Når skiven, under bruk, beveger seg bort fra kroppen din, kan et tilbakeslag sende den roterende skiven og elektroverktøyet direkte mot deg.
- ◆ **Når skiven binder seg eller ved avbrytelse av kapping av en eller annen grunn, slå av elektroverktøyet og hold det stille helt til skiven stanser fullstendig. Forsøk aldri å fjerne kappeskiven fra kuttet mens skiven beveger seg**

ellers kan det oppstå tilbakeslag. Undersøk og sørg for å fjerne årsakene til fastklemming av bladet.

- ◆ **Ikke restart kappingen i arbeidsstykket. La skiven nå full hastighet og gå forsiktig tilbake i kuttet.** Skiven kan komme til å sette seg fast, bevege seg framover eller slå tilbake dersom den startes opp igjen i arbeidsstykket.
- ◆ **Støttepaneler eller overdimensjonerte arbeidsstykker minsker risiken for at skiven henger og slår tilbake.** Store arbeidsstykker har en tendens til å henge ned under sin egen vekt. Det må plasseres støtter under arbeidsstykket på begge sider av skiven, nær kuttelinjen og nær kanten av panelet.
- ◆ **Utvis ekstra forsiktighet når du foretar et "dykk-kutt" i eksisterende vegger eller andre blinde områder.** Skiven stikker ut og kan komme til å kappe gass- eller vannrør, elektriske ledninger eller gjenstander som kan føre til tilbakeslag.

Andre personers sikkerhet

- ◆ Dette apparatet kan brukes av barn som er 8 år eller eldre samt av personer som har reduserte fysiske, sanselige eller mentale evner, eller som mangler erfaring og kunnskap, hvis de har tilsyn eller har fått veiledning i bruk av apparatet på en trygg måte og forstår farene som foreligger.
- ◆ Barn skal ikke leke med apparatet. Rengjøring og brukervedlikehold skal ikke utføres av barn uten tilsyn.

Restrisikoer

Når verktøyet brukes, kan det oppstå ytterligere risikoer som kanskje ikke er beskrevet i de medfølgende sikkerhetsadvarslene. Disse risikoene kan bli forårsaket av feil bruk, langvarig bruk osv.

Selv om de relevante sikkerhetsbestemmelsene blir fulgt, og sikkerhetstiltakene blir gjennomført, kan visse gjenværende risikoer ikke unngås. Disse inkluderer:

- ◆ ersonskader som forårsakes av berøring av en roterende/bevegelig del.
- ◆ Personskader som forårsakes av at en del, et blad eller tilbehør endres.
- ◆ Personskader som skyldes for lang tids bruk av verktøyet. Når du bruker et verktøy i lange perioder, må du sørge for å ta regelmessige pauser.
- ◆ Hørselskader.
- ◆ Helsefare som forårsakes av innånding av støv som dannes når du bruker verktøyet (eksempel: arbeid med tre, spesielt eik, bøk og MDF)

Vibrasjon

Vibrasjonsemisjonsverdien som er angitt under tekniske data og samsvarserklæring, er blitt målt i henhold til en standard testmetode som er angitt i EN 60745, og kan brukes til å

sammenligne et verktøy med et annet. Den oppgitte vibrasjonsemisjonsverdien kan også brukes til en foreløpig vurdering av eksponering.

Advarsel! Vibrasjonsemisjonsverdien under faktisk bruk av elektroverktøyet kan avvike fra den oppgitte verdien avhengig av måten verktøyet blir brukt på. Vibrasjonsnivået kan øke over nivået som er oppgitt.

Når det vurderes vibrasjonseksponering for å avgjøre hvilke sikkerhetstiltak som kreves ifølge 2002/44/EF, for å beskytte personer som bruker elektroverktøy regelmessig til

arbeidsformål, skal det, når vibrasjonseksponeringen anslås, tas hensyn til de faktiske bruksforholdene og måten verktøyet blir brukt på. Dette inkluderer å ta hensyn til alle deler av brukssyklusen, for eksempel når verktøyet er avslått, når det går på tomgang og når utløseren er trykket inn.

Spenningsfall

Strømtopper kan skape kortvarige spenningsfall. Under ugunstige strømforhold, kan annet utstyr påvirkes.

Dersom syytemimpedansen for strømforsyningen under 0,424 Ω, er forstyrrelser lite sannsynlig.

Etiketter på verktøyet

Følgende symboler og datokode er vist på verktøyet:



Advarsel! For å redusere skaderisikoen, les bruksanvisningen.



Bruk vernebriller ved bruk av verktøyet.



Bruk hørselsvern ved bruk av verktøyet.

Elektrisk sikkerhet



Dette verktøyet er dobbeltisolert, det er derfor ikke nødvendig med jordet stikkontakt. Kontroller alltid at strømforsyningen samsvarer med spenningen på merkeskiltet.

- ◆ Dersom strømkabelen er skadet, skal den for å unngå fare skiftes ut hos produsentene eller på et autorisert Stanley Fat Max servicesenter.

Funksjoner

Dette verktøyet har følgende egenskaper og funksjoner.

1. På-/av-bryter
2. Lås av-knapp
3. Lås på-knapp

4. Sidehåndtak
5. Spindellås
6. Beskyttelse

Montering

Advarsel! Før montering, forsikre deg om at verktøyet er slått av og koblet fra strømmen.

Montering og fjerning av beskyttelsen (fig. A & B)

Verktøyet er utstyrt med en beskyttelse kun for bruk ved kapping. Dersom verktøyet skal brukes for kapping, må det settes på en beskyttelse spesielt for denne typen jobber.

En passende beskyttelse for kapping har delenummer 1004484-01 og kan bestilles fra et Stanley Fat Max servicesenter.

Sette på

- ◆ Plasser verktøyet på et bord med spindelen (7) opp.
- ◆ Legg fjærskiven (8) over spindelen og plasser den på skulderen .
- ◆ Skyv beskyttelsen (6) på verktøyet som vist.
- ◆ Legg flensen (9) over spindelen med de utstående knastene mot beskyttelsen. Pass på at hullene i flensen er innrettet mot skruhullene.
- ◆ Fest flensen med skruene (10). Pass på at skruene er helt strammet og at beskyttelsen kan roteres.

Fjerning

- ◆ Bruk en skrutrekker for å ta av skruene (10).
- ◆ Ta av flensen (9), beskyttelsen (6) og fjærskiven (8). Oppbevar disse delene godt.

Advarsel! Bruk aldri verktøyet uten at beskyttelsen er på plass.

Justering av beskyttelsen

Beskyttelsen kan roteres 90°.

- ◆ Roter beskyttelsen til ønsket stilling.

Montering av sidehåndtaket

- ◆ Skru sidehåndtaket (4) godt inn i ett av hullene på sidene av verktøyet.

Advarsel! Bruk alltid sidehåndtak.

Sette på og ta av slipe- eller kappeskive (fig. C - E)

Bruk alltid korrekt skive for den aktuelle jobben. Bruk alltid skiver med korrekt diameter og hullstørrelse (se tekniske data).

Sette på

- ◆ Sett på beskyttelsen som beskrevet over.
- ◆ Legg indre flens (11) på spindelen (7) som vist (fig. C). Pass på at flensen er korrekt satt på den flate siden av spindelen.

- ◆ Sett skiven (12) på spindelen (7) som vist (fig. C). Dersom skiven har et opphøyd senter (13), pass på at den opphøyde siden ligger an mot den indre flensen.
- ◆ Pass på at skiven er korrekt plassert på den indre flensen.
- ◆ Sett den ytre flensen (14) på spindelen. Når du monterer en slipeskive skal den opphøyde siden på den ytre flensen ligge mot skiven (A i fig. D). Når du monterer en kappeskive skal den opphøyde siden på den ytre flensen ligge bort fra skiven (B i fig. D).
- ◆ Hold spindellåsen (5) inntrykket og stram den ytre flensen ved hjelp av to-pinne nøkkelen (15) (fig. E).

Fjerning

- ◆ Hold spindellåsen (5) inntrykket og løsne ytre flens (14) ved hjelp av to-pinne nøkkelen (15) (fig. E).
- ◆ Ta av ytre flens (14) og skiven (12).

Bruk

Advarsel! La verktøyet jobbe i sin egen hastighet. Ikke overbelast det.

- ◆ Styr kabelen forsiktig for ikke å kappe den av.
- ◆ Vær forberedt på en strøm av gnister når slipeskiven eller kappeskiven kommer i berøring med arbeidsstykket.
- ◆ Plasser alltid verktøyet slik at beskyttelsen gir optimal beskyttelse mot slipeskiven eller kappeskiven.

Slå på og av

- ◆ For å kjøre verktøyet, trykk låseknappen (2) og på/av knappen (1).
- ◆ For kontinuerlig bruk, trykk låseknappen (3) og slipp på/av bryteren.
- ◆ For å stoppe verktøyet, slipp på/av-bryteren. For å stoppe et verktøy satt til kontinuerlig drift, trykk bryteren kort inn og slipp den.

Advarsel! Ikke slå verktøyet på eller av under belastning.

Myk oppstart

Myk oppstart gir en sakte oppbygging av hastighet for å unngå et plutselig kast ved oppstart. Denne egenskapen er spesielt nyttig ved arbeid i trange rom.

Spenningsløs (No-Volt)

"No-volt" (spenningsløs) funksjonen hindrer vinkelsliperen fra å starte igjen uten først å bruke bryteren dersom det var brudd i strømforsyningen.

Tips for beste bruk

- ◆ Hold verktøyet godt fast med en hånd på sidehåndtaket og den andre hånden på hovedhåndtaket (fig. F).
- ◆ Ved sliping, hold alltid en vinkel på omtrent 15° mellom skiven og arbeidsstykket.

Vedlikehold

Ditt Stanley Fat Max elektriske verktøy (med eller uten strømkabel) er designet for å virke over en lang tidsperiode med et minimum av vedlikehold. For at den skal fungere tilfredsstillende over tid, er det viktig å sørge for riktig stell av verktøyet og regelmessig renhold.

Advarsel! Før du foretar noe vedlikehold på elektriske verktøy med eller uten strømkabel:

- ◆ Slå det av og trekk ut støpselet.
- ◆ Eller slå det av og ta batteriet ut av verktøyet dersom det har en avtagbar batteripakke.
- ◆ Eller bruk opp batteriet helt dersom det er integrert, og deretter slå av.
- ◆ Koble fra laderen før du rengjør den. Laderen krever intet annet vedlikehold enn regelmessig rengjøring.
- ◆ Rengjør regelmessig ventilasjonsåpningene på apparatet/verktøyet ved hjelp av en myk børste eller en tørr klut.
- ◆ Rengjør regelmessig motorhuset ved hjelp av en fuktig klut. Ikke bruk skurende eller løsemiddelbaserte rengjøringsmidler.
- ◆ Regelmessig åpne chucken og bank på den for å fjerne støv fra innsiden (dersom montert).

Miljøvern



Separat avfallshåndtering. Produkter og batterier merket med dette symbolet skal ikke kastes i vanlig husholdningsavfall.

Produkter og batterier inneholder stoffer som kan gjenbrukes eller ombrukes for å redusere behovet for nye råmaterialer.

Vennligst lever elektrisk utstyr og batterier for gjenbruk i henhold til lokale regler.

Tekniske data

FMEG222 Type 1		
Inngangsspenning	V_{AC}	230
Inngangseffekt	W	1 200
Merkehastighet	o/min	11 000
Skivediameter	mm	125
Skivehull	mm	22
Maks. skivetykkelse		
slipeskiver	mm	6
kappeskiver	mm	3,5
Spindelstørrelse		M14
Vekt	kg	2,7

Totalverdier vibrasjon (triax vector sum) bestemt iht. EN60745:

Overflatesliping ($a_{h,SG}$) 8,2 m/s², usikkerhet (K) 1,5 m/s²

EU-samsvarserklæring MASKINERIDIREKTIV



FMEG222 Vinkelsliper

Stanley Fat Max erklærer at de produktene som er beskrevet under "tekniske data" er i samsvar med:

EN60745-1:2009 +A11:2010; EN60745-2-3:2011+A2:2012 +A11:2014+A12:2014+A13:2015

Disse produktene er også i samsvar med direktiv 2006/42/EC, 2014/30/EU 2011/65/EU.

For mer informasjon, vennligst kontakt Stanley Fat Max på følgende adresser eller se baksiden av håndboken.

Undertegnede er ansvarlig for sammenstillingen av den tekniske filen og fremsetter denne erklæringen på vegne av Stanley Fat Max.

A. Smith
Technical Director

Stanley Fat Max Europa, 210 Bath Road, Slough,
Berkshire, SL1 3YD, Storbritannia

15/01/2019

Garanti

Stanley Fat Max er trygg på kvaliteten av produktene sine og tilbyr en 12 måneders garanti fra kjøpsdato. Denne garantierklæringen kommer i tillegg til dine lovbestemte rettigheter og er ikke i konflikt med disse. Garantien er gyldig innen områdene tilhørende medlemslandene i den Europeiske Union (EU) og det Europeiske Frihandelsområdet (EFTA).

For å ta garantien i bruk må kravet være i samsvar med kjøpsbetingelsene fra Stanley Fat Max og du må vise kjøpskvittering til forhandleren eller til et autorisert serviceverksted. Betingelsene for Stanley Fat Max 1 års garanti og adressen til din nærmeste autoriserte serviceverksted kan du finne på internett under www.2helpU.com, eller ved å kontakte ditt lokale Stanley Fat Max kontor, adressen er angitt i denne bruksanvisningen.

Besøk vår webside www.stanley.eu/3 for å registrere ditt nye Stanley Fat Max produkt og for å holde deg oppdatert om nye produkter og spesialtilbud.

Lydtrykknivå i henhold til EN 60745:

L_{PA} (lydtrykk) 91,0 dB(A), usikkerhet (K) 3 dB(A)

L_{WA} (lydeffekt) 102,0 dB(A), usikkerhet (K) 3 dB(A)

Tilsigtet brug

Din Stanley Fat Max FMEG222 vinkelsliber er designet til slibning og skæring i metal og murværk ved hjælp af passende type skære- eller slibeskive. Monteret med en passende beskyttelsesskærm, er dette værktøj er beregnet til erhvervsmæssige brugere og private ikke-erhvervsmæssige brugere.

Sikkerhedsinstruktioner

Generelle sikkerhedsadvarsler for elektrisk værktøj



Advarsel! Læs alle sikkerhedsadvarsler og alle instruktioner. Manglende overholdelse af de advarsler og instruktioner, der er anført nedenfor, kan medføre elektrisk stød, brand og/eller alvorlig personskade.

Gem alle advarsler og instruktioner for fremtidig reference. Termen "elværktøj" i advarslerne refererer til dit elektroniske (ledning) eller batteribetjente (trådløse) elværktøj.

1 Sikkerhed i arbejdsområdet

- Sørg for, at arbejdsområdet er rent og godt oplyst.** Rodede eller mørke områder giver anledning til ulykker.
- Undlad at benytte elektrisk værktøj i en eksplosionsfarlig atmosfære, som f.eks. ved tilstedeværelsen af brændbare væsker, gasser eller støv.** Elværktøj danner gnister, der kan antænde støv eller dampe.
- Hold børn og omkringstående på afstand, når der anvendes elektrisk værktøj.** Distraktioner kan medføre, at du mister kontrollen.

2 El-sikkerhed

- Stik på elektrisk værktøj skal passe til stikkontakten.** Stikket må aldrig modificeres på nogen måde. Undlad at bruge adapterstik sammen med jordforbundet elektrisk værktøj. Umodificerede stik og dertil passende stikkontakter reducerer risikoen for elektrisk stød.
- Undgå kropskontakt med jordforbundne overflader, såsom rør, radiatorer, komfurer og køleskabe.** Der er øget risiko for elektrisk stød, hvis din krop er jordforbundet.
- Undlad at udsætte elektrisk værktøj for regn eller våde forhold.** Hvis der trænger vand ind i et elektrisk værktøj, øges risikoen for elektrisk stød.
- Undlad at udsætte ledningen for overlast. Brug aldrig ledningen til at bære, trække værktøjet eller trække det ud af stikkontakten.** Hold ledningen borte fra varme, olie, skarpe kanter og bevægelige dele. Beskadigede eller sammenfiltrede ledninger øger risikoen for elektrisk stød.

- Når elektrisk værktøj benyttes udendørs, skal der anvendes en forlængerledning, som er egnet til udendørs brug.** Brug af en ledning, der er egnet til udendørs brug, reducerer risikoen for elektrisk stød.
- Hvis det ikke kan undgås at betjene et elektrisk værktøj i et fugtigt område, benyt en strømforsyning, der er beskyttet af en fejlstrømsafbryder.** Ved at benytte en fejlstrømsafbryder reduceres risikoen for elektrisk stød.

3 Personlig sikkerhed

- Vær opmærksom, pas på hvad du foretager dig, og brug sund fornuft, når du benytter et elektrisk værktøj.** **Benyt ikke værktøjet, hvis du er træt, påvirket af narkotika, alkohol eller medicin.** Et øjeblikvis uopmærksomhed under anvendelse af et elektrisk værktøj kan forårsage alvorlig personskade.
- Brug personligt sikkerhedsudstyr. Bær altid beskyttelsesbriller.** Sikkerhedsudstyr, såsom støvmaske, skridsikre sikkerhedssko, sikkerhedshjelm eller høreværn, brugt når omstændighederne foreskriver det, reducerer omfanget af personskader.
- Undgå utilsigtet start. Sørg for, at der er slukket for kontakten, inden værktøjet tilsluttes en strømkilde og/eller batterienhed, samles op eller bæres.** Når elektrisk værktøj bæres med fingeren på kontakten eller tilsluttes, når kontakten er tændt, giver det anledning til ulykker.
- Fjern eventuelle justerings- eller skruenøgler, før det elektriske værktøj startes.** En skruenøgle eller anden nøgle, der bliver siddende på en roterende del af elektrisk værktøj, kan give anledning til personskade.
- Undlad at række for langt. Hold hele tiden en god fodstilling og balance.** Dette giver bedre kontrol af det elektriske værktøj, når uventede situationer opstår.
- Bær hensigtsmæssig påklædning. Bær ikke løst tøj eller smykker.** Hold dit hår, tøj og handsker væk fra bevægelige dele. Løstsiddende tøj, smykker eller langt hår kan blive fanget i bevægelige dele.
- Hvis der anvendes støvudsugningseller støvopsamlingsudstyr, skal dette tilsluttes og anvendes rigtigt.** Anvendelse af støvopsamlingsudstyr kan begrænse farer forårsaget af støv.

4 Brug og pleje af elektrisk værktøj

- Undlad at bruge magt over for det elektriske værktøj. Brug det værktøj, der er bedst egnet til det arbejde, der skal udføres.** Værktøjet vil klare opgaven bedre og mere sikkert med den ydelse, som det er beregnet til.
- Undlad at benytte elektrisk værktøj, hvis kontakten ikke tænder og slukker for det.** Alt elektrisk værktøj, der ikke kan kontrolleres med kontakten, er farligt og skal repareres.

- c. **Træk stikket ud af stikkontakten og/eller batterienheden fra det elektriske værktøj, før det elektriske værktøj justeres, dets tilbehør udskiftes, eller det stilles til opbevaring.** Sådanne forebyggende sikkerhedsforanstaltninger mindsker risikoen for, at værktøjet startes utilsigtet.
- d. **Opbevar elektrisk værktøj uden for rækkevidde af børn, og tillad ikke personer, som ikke er bekendt med dette elektriske værktøj eller disse instruktioner, at betjene værktøjet.** El-værktøj er farligt i hænderne på personer, som ikke er instrueret i brugen deraf.
- e. **Vedligeholdelse af elektriske værktøjer. Undersøg om bevægelige dele sidder skævt, binder eller er gået itu såvel som andre forhold, der kan påvirke betjeningen af elektriske værktøjer. Hvis det elektriske værktøj er beskadiget, skal det repareres før brug.** Mange ulykker er forårsaget af dårligt vedligeholdt værktøj.
- f. **Hold skæreværktøjer skarpe og rene.** Ordentligt vedligeholdt skæreværktøj med skarpe skærekanter har mindre tilbøjelighed til at binde og er lettere at styre.
- g. **Brug elektrisk værktøj, tilbehør, bor, osv. i overensstemmelse med disse instruktioner, idet der tages hensyn til arbejdsforholdene og den opgave, som skal udføres.** Brug af elektrisk værktøj til andre opgaver end dem, det er beregnet til, kan resultere i en farlig situation.
- 5 **Service**
- a. **Elektrisk værktøj skal serviceres af en kvalificeret servicetekniker, som udelukkende benytter identiske reservedele.** Derved sikres det, at værktøjets driftssikkerhed opretholdes.

Ekstra sikkerhedsadvarsler for elektrisk værktøj



Advarsel! Ekstra sikkerhedsadvarsler for slibning eller slibeskæring

- ◆ **Dette elektriske værktøj er beregnet til at fungere som en slibemaskine eller afstikkerværktøj. Læs alle sikkerhedsadvarsler, instruktioner, illustrationer og specifikationer, der følger med dette elværktøj.** Manglende overholdelse af alle nedenstående instruktioner kan medføre elektrisk stød, brand og/eller alvorlig personskade.
- ◆ **Det anbefales ikke at slibe, børste eller polere med dette elværktøj.** Anden brug end den, elværktøjet er fremstillet til, kan udgøre en fare og forårsage personskade.
- ◆ **Anvend ikke tilbehør, der ikke er specielt designet til værktøjet og anbefalet af producenten.** Blot fordi tilbehøret kan påsættes værktøjet, garanterer det ikke sikker betjening.
- ◆ **Tilbehørets nominelle hastighed skal mindst svare til den maksimale hastighed, der er markeret på elværktøjet.** Tilbehør, der kører hurtigere end dets nominelle hastighed, kan gå itu og flyve væk
- ◆ **Tilbehørets udvendige diameter og tykkelse skal være inden for elværktøjets kapacitetsvurdering.** Tilbehør af ukorrekt størrelse kan ikke opbevares eller kontrolleres korrekt.
- ◆ **Gevindmontering af tilbehør skal matche med slibemaskinens spindelgevind. For tilbehør monteret med flanger skal dornhullet på tilbehøret passe til flangens placeringsdiameter.** Tilbehør, der ikke matcher med el-værktøjets monterede hardware, vil køre ud af balance, vibrere for meget og kan medføre tab af kontrol.
- ◆ **Brug ikke et beskadiget tilbehør. Før brug af tilbehør undersøges f.eks. slibehjul for skår og revner, beklædningsunderlag for revner og normalt slid. Hvis elværktøjet eller tilbehøret tabes, bør det undersøges for skade, eller der bør monteres ubeskadiget tilbehør. Efter undersøgelse og montering af tilbehør placeres du og tilskuere væk fra tilbehørets rotationsplan, og elværktøjet køres ved maksimal tomgangshastighed i et minut.** Beskadiget tilbehør vil normalt gå i stykker under denne testkørsel.
- ◆ **Bær personligt beskyttelsesudstyr. Afhængig af brugen bør du anvende ansigtsskærm eller beskyttelsesbriller.**
- ◆ **Hvis det er nødvendigt, skal du anvende støvmaske, hørebeskyttelse, handsker og et arbejdsforklæde, der kan modstå småt slibemateriale eller arbejdssemnefragmenter.** Øjenbeskyttelsen skal kunne stoppe flyvende fremmedlegemer, der opstår som følge af de forskellige betjening. Støvmasken eller åndedrætsværnet skal kunne filtrere partikler, der frembringes som følge af dit arbejde. Forlænget eksponering for høj, intens støj kan forårsage høreskader.
- ◆ **Sørg for, at tilskuere står i en sikker afstand fra arbejdsområdet. Folk, der befinder sig i arbejdsområdet, skal anvende personligt beskyttelsesudstyr.** Fragmenter af arbejdssemnet eller ødelagt tilbehør kan flyve afsted og forårsage skade uden for det umiddelbare arbejdsområde.
- ◆ **Hold fast i elværktøjet ved hjælp af de isolerede håndtagsflader, når der skal saves i emner, hvor skæreværktøjet kan berøre skjulte ledninger eller sit eget kabel.** Kommer skæreværktøjet i kontakt med en "strømførende ledning", kan blotlagte metaldele på el-værktøjet gøres strømførende og give stød til brugeren.
- ◆ **Anbring ledningen på afstand af roterende tilbehør.** Hvis du mister kontrollen, kan ledningen blive skåret eller fastklemt, og din hånd eller arm kan trækkes ind i det roterende tilbehør.

- ◆ **Læg aldrig værktøjet fra dig, før tilbehøret er helt stoppet.** Det roterende tilbehør kan gribe fast i overfladen, og du kan miste kontrollen over elværktøjet.
- ◆ **Start ikke elværktøjet, mens du bærer det.** Utilsigtet kontakt med det roterende tilbehør kan hænge fast i dit tøj og efterfølgende ind i huden.
- ◆ **Rengør værktøjets lufthuller med jævne mellemrum.** Motorens ventilator vil trække støv ind i kabinettet, og for megen akkumulering af metalstykker kan udgøre en elektrisk fare.
- ◆ **Betjen ikke elværktøjet nær brændbare materialer.** Gnister kan antænde disse materialer.
- ◆ **Anvend ikke tilbehør, der kræver kølevæsker.** Brug af vand eller anden kølevæske kan resultere i livsfarligt elektrisk stød.

Bemærk: Ovenstående advarsel gælder ikke for el-værktøj, der specifikt er designet til brug sammen med et flydende system.

Tilbageslag og relaterede advarsler

Tilbageslag er en pludselig reaktion på et fastklemt eller blokeret slibehjul, støttepude, børste eller andet tilbehør. Klemning eller blokering forårsager hurtig blokering af det roterende tilbehør, der gør, at det ukontrollerede elværktøj kører i modsat retning af tilbehørets rotation på det sted, det er fastkørt.

F.eks. hvis et slibehjul er fastklemt eller blokeret af arbejdsemnet, kan kanten af hjulet, der er på vej ind i det spidse punkt, grave sig ind i overfladen på materialet og forårsage, at hjulet arbejder sig ud eller falder ud. Hjulet kan enten gå imod eller væk fra operatøren, afhængigt af hjulets bevægelsesretning ved fastklemmelsespunktet. Slibehjul kan også gå i stykker under disse forhold.

Et tilbageslag opstår som følge af forkert brug eller ved misbrug af elværktøjet. Det kan undgås ved at følge nedenstående forholdsregler.

- ◆ **Hold godt fast på elværktøjet og placer kroppen og armen således, at du kan modstå styrken fra et tilbageslag.** Anvend altid ekstrahåndtaget, hvis det medfølger, for maksimal kontrol over tilbageslag eller momentreaktion under opstart. Operatøren kan kontrollere momentreaktioner eller tilbageslagets styrke, hvis der tages korrekte forholdsregler.
- ◆ **Placer aldrig hånden i nærheden af det roterende tilbehør.** Tilbehøret kan slå tilbage over din hånd.
- ◆ **Placer ikke kroppen i det område, hvor værktøjet kan bevæge sig, hvis der opstår et tilbageslag.** Tilbageslag vil drive værktøjet frem i den modsatte retning af hjulets bevægelse ved blokeringspunktet.

- ◆ **Vær ekstra omhyggelig når du arbejder med hjørner, skarpe kanter osv. Undgå at bumpe eller blokere tilbehøret.** Hjørner, skarpe kanter eller bump har en tendens til at blokere det roterende tilbehør og kan forårsage mangel på kontrol eller tilbageslag.
- ◆ **Påsæt ikke en savkædes snitteblad eller en savklinge med tænder.** Sådanne klinger forårsager ofte tilbageslag og mangel på kontrol.

Sikkerhedsadvarsler, der er specifikke for slibnings- og afskæringsfunktioner:

- ◆ **Brug kun hjul typer, der er anbefalet til dit elværktøj og den specifikke beskyttelsesskærm, der er fremstillet til det valgte hjul.** Hjul, der ikke er fremstillet til værktøjet, kan ikke afskærmes korrekt og er usikre.
- ◆ **Slibeoverfladen på de midterste nedtrykkede hjul skal være monteret under fladen på kanten af beskyttelsesskærmen.** Et hjul, der ikke er monteret korrekt, og som projekteres gennem fladen på kanten af beskyttelsesskærmen, kan ikke beskyttes tilstrækkeligt.
- ◆ **Beskyttelsesskærmen skal være sikkert fastgjort til elværktøjet for maksimal sikkerhed, således at mindst muligt af hjulet er blottet mod operatøren.** Beskyttelsesskærmen hjælper med til at beskytte operatøren mod hjulfragmenter og utilsigtet kontakt med hjulet og gnister, som kan antænde tøjet.
- ◆ **Hjulene må kun anvendes til den anbefalede brug. Eksempelvis: slib ikke med siden af afskæringshjulet.** Slibeskæringshjul er tilsigtet perifer slibning. Sidekraft på disse hjul kan ødelægge dem.
- ◆ **Brug altid ubeskadigede hjulflanger med den rette størrelse og form til dit valgte hjul.** Korrekte hjulflanger støtter hjulet og reducerer dermed muligheden for hjulskade. Flanger til skærehjul kan være forskellige fra slibehjulflanger.
- ◆ **Brug ikke brugte, slidte hjul fra større elværktøjer.** Hjul, der er tilsigtet større elværktøjer, er ikke egnet til det lille værktøjs høje hastighed og kan gå i stykker.

Ekstra sikkerhedsadvarsler, der er specifikke for afskæringsfunktioner

- ◆ **“Blokér” ikke skærehjulet eller anvend for megen kraft. Forsøg ikke at foretage et for dybt snit.** Overbelastning af hjulet øger belastningen og følsomheden for drejning eller binding af hjulet i snittet og muligheden for tilbageslag eller hjulskade.
- ◆ **Placer ikke din krop på linje med og bag ved det roterende hjul.** Når hjulet bevæger sig væk fra kroppen, kan det mulige tilbageslag drive hjulet og elværktøjet direkte mod dig.
- ◆ **Når hjulet binder, eller når et snit afbrydes af en eller anden årsag, slukkes elværktøjet og hold elværktøjet helt stille, indtil hjulet stopper helt. Forsøg aldrig at**

fjerne hjulet fra snittet, mens hjulet er i bevægelse, da der ellers kan forekomme et tilbageslag. Find ud af, hvorfor hjulet har sat sig fast, og træf passende forholdsregler, så det ikke kan ske igen.

- ◆ **Forsøg ikke at genstarte skæringen i arbejdsemnet. Lad hjulet nå fuld hastighed og sæt det derefter forsigtigt ind i snittet.** Hjulet kan eventuelt binde, arbejde sig ud af arbejdsemnet eller forårsage tilbageslag, hvis elværktøjet startes i arbejdsemnet.
- ◆ **Støttepaneler eller andet arbejdsemne af overdreven størrelse for at minimere risikoen for klemning af hjulet og tilbageslag.** Store arbejdsemner har en tendens til at synke under deres egen vægt. Arbejdsemnet skal afstøttes på begge sider af hjulet, både i nærheden af skærelinjen og ved arbejdsemnets kant.
- ◆ **Vær især forsigtig, hvis der skal udføres et "lommensnit" i et uoverskueligt område, f.eks. i en eksisterende væg.** Hjulet, der skal dykke ned, kan skære gas- eller vandrør, elektriske ledninger eller genstande, der kan forårsage tilbageslag.

Andres sikkerhed

- ◆ Dette værktøj kan bruges af børn i en alder fra 8 år og derover og personer med nedsatte fysiske, sensoriske eller mentale evner eller manglende erfaring og viden, hvis det sker under overvågning, eller de vejledes i brugen af apparatet på en sikker måde, og de forstår de farer, som er forbundet dermed.
- ◆ Børn må ikke lege med apparatet. Rengøring og bruger-vedligeholdelse må ikke foretages af børn uden opsyn.

Restrisici

Der kan opstå yderligere restrisici under brugen af værktøjet, som ikke kan medtages i vedlagte sikkerhedsadvarsler. Disse risici kan opstå pga. forkert anvendelse, langvarig brug etc. Selv ved overholdelse af relevante sikkerhedsforskrifter og anvendelse af sikkerhedsudstyr kan visse restrisici ikke undgås. Disse omfatter:

- ◆ Tilskadekomst forårsaget af berøring af roterende/bevægelige dele.
- ◆ Tilskadekomst forårsaget af udskiftning af dele, klinger eller tilbehør.
- ◆ Tilskadekomst forårsaget af langvarig brug af et værktøj. Husk at holde pause jævnligt ved brug af et værktøj i længere tid.
- ◆ Hørenedsættelse.
- ◆ Sundhedsrisici forårsaget af indånding af støv, der genereres ved brug af værktøjet (eksempel: Arbejde med træ, især, eg, bøg og MDF.)

Vibration

De angivne værdier for udsendelse af vibration anført under de tekniske data og overensstemmelseserklæringen er målt

i henhold til standardtestmetoden i EN 60745 og kan bruges til at sammenligne ét værktøj med et andet. Den angivne vibrationsemissionsværdi kan også bruges som en foreløbig vurdering af eksponeringen.

Advarsel! Værdien for udsendelse af vibration ved faktisk brug af elværktøjet kan afvige fra den angivne værdi afhængig af måden, værktøjet anvendes på. Vibrationsniveauet kan overstige det angivne niveau.

I vurderingen af eksponeringen for vibration med henblik på fastsættelse af sikkerhedsforanstaltninger som krævet i 2002/44/EF til beskyttelse af personer, der jævnligt anvender elværktøj i deres arbejde, skal der tages hensyn til de faktiske betingelser under brugen, og måden værktøjet bruges på, herunder alle arbejds-cyklussens elementer, f.eks. perioder, hvor værktøjet er slukket og hvor det kører i tomgang, tillige med startperioderne.

Spændingsfald

Startstrømme resulterer i korttids spændingsfald.

Under ugunstige strømforsyningsforhold, kan andet udstyr blive berørt.

Hvis systemimpedansen er lavere end 0,424 Ω, er forstyrrelser usandsynlige.

Mærkatet på værktøjet

De følgende piktogrammer såvel som datokoden vises på værktøjet:



Advarsel! For at reducere risikoen for personskade bør du læse betjeningsvejledningen.



Bær sikkerheds- eller beskyttelsesbriller, når du arbejder med dette værktøj.



Bær høreværn, når du arbejder med dette værktøj.

El-sikkerhed



Dette værktøj er dobbeltisoleret, derfor er en jordledning ikke påkrævet. Kontrollér altid, at strømforsyningen svarer til spændingen på mærkepladen.

- ◆ Hvis forsyningsledningen er beskadiget, skal den udskiftes af producenten eller et autoriseret Stanley Fat Max servicecenter for at forebygge enhver risiko.

Funktioner

Dette værktøj indeholder nogle eller alle funktioner.

- 1 Tænd/sluk-kontakt
- 2 Låseknap

- 3 Låse op knap
- 4 Sidehåndtag
- 5 Spindellås
- 6 Beskyttelsesskærm

Samling

Advarsel! Før samling kontroller at værktøjet er slået fra, og stikket er trukket ud.

Montering og fjernelse af beskyttelsesskærmen (fig. A & B)

Værktøjet er forsynet med en beskyttelsesskærm, der kun er beregnet til slibningsformål. Hvis enheden skal udføre afskæringsopgaver, skal der monteres en speciel beskyttelsesskærm til denne opgave.

Der kan købes en velegnet beskyttelsesskærm til afskæringsopgaver delnummer 1004484-01 hos Stanley Fat Max servicecentre.

Montering

- ◆ Anbring værktøjet på et bord med spindlen (7) opad.
- ◆ Anbring fjederskiven (8) over spindlen og placer den på skulderen.
- ◆ Anbring beskyttelsesskærmen (6) på værktøjet som vist.
- ◆ Anbring flangen (9) over spindlen med fremspringene rettet mod beskyttelsesskærmen. Sørg for at hullerne i flangen rettes ind efter skruenhullerne.
- ◆ Fastgør flangen med skruerne (10). Sørg for, at skruerne er strammet godt til, og at beskyttelsesskærmen kan drejes.

Fjernelse

- ◆ Brug en skruetrækker til at fjerne skruerne (10).
- ◆ Fjern flange (9), beskyttelsesskærm (6) og fjederskive (8). Opbevar disse dele omhyggeligt.

Advarsel! Anvend aldrig værktøjet uden beskyttelsesskærm.

Justering af beskyttelsesskærmen

Beskyttelsesskærmen kan drejes 90°.

- ◆ Drej beskyttelsesskærmen efter behov.

Montering af sidehåndtag

- ◆ Skru sidehåndtaget (4) ind i et af monteringshullerne i værktøjet.

Advarsel! Anvend altid sidehåndtag.

Montering og aftagning af slibe- eller skæreskiver (fig. C - E)

Brug altid den korrekte skivetype til din opgave. Brug altid skiver med den korrekte diameter og borestørrelse (se tekniske data).

Montering

- ◆ Montér beskyttelsesskærmen som beskrevet ovenfor.
- ◆ Sæt den indvendige flange (11) på spindlen (7) som vist (fig. C). Kontrollér at flangen er placeret korrekt på den flade side af spindlen.
- ◆ Sæt skiven (12) på spindlen (7) som vist (fig. C). Hvis skiven er hævet midt på (13), skal du sørge for, at det hævede punkt vender mod den indvendige flange.
- ◆ Sørg for at skiven placeres korrekt på den indvendige flange.
- ◆ Anbring den udvendige flange (14) på spindlen. Ved montering af slibeskiven, skal det hævede midtpunkt på den udvendige flange vende imod skiven (A i fig. D). Ved montering af skæreskiven, skal det hævede midtpunkt på den udvendige flange vende væk fra skiven (B i fig. D).
- ◆ Hold spindellåsen (5) trykket ned og spænd den udvendige flange ved hjælp af den topoledede skruenøgle (15) (fig. E).

Fjernelse

- ◆ Hold spindellåsen (5) trykket ned og løs den udvendige flange (14) ved hjælp af den topoledede skruenøgle (15) (fig. E).
- ◆ Fjern den udvendige flange (14) og skiven (12).

Brug

Advarsel! Lad værktøjet arbejde i sit eget tempo. Overbelast det ikke.

- ◆ Før kablet forsigtigt for at undgå at skære i det ved en fejltagelse.
- ◆ Vær forberedt på en strøm af gnister, når slibe- eller skæreskiven rører ved arbejdsemnet.
- ◆ Anbring altid værktøjet på en sådan måde, at beskyttelsesskærmen giver optimal beskyttelse mod slibe- eller skæreskiven.

Slå til og fra

- ◆ For at tænde for værktøjet, tryk på låse op knap (2) og tryk efterfølgende på tænd-/slukkontakten (1).
- ◆ For fortsat drift tryk spærreknappen (3) ned og udløs tænd-/slukkontakten.
- ◆ Du slukker for værktøjet ved at udløse tænd-/slukkontakten. Du slukker for værktøjet ved at trykke en gang mere på tænd-/slukkontakten og slippe den.

Advarsel! Sluk ikke for værktøjet, når det er under belastning.

Blød startfunktion

Den bløde startfunktion giver mulighed for langsom hastighedsopbygning for at undgå ryk ved start. Denne funktion er særdeles nyttig, når der arbejdes i lukkede rum.

Ingen volt

Ingen-volt-funktionen stopper vinkelsliberens genstart, uden at der er tændt og slukket for kontakten, hvis der er en pause i strømforsyningen.

Tip til optimal brug

- Hold godt fast i værktøjet med den ene hånd omkring sidehåndtaget og den anden rundt om hovedhåndtaget (fig. F).
- Oprethold under slibning altid en vinkel på ca. 15° mellem skiven og arbejdsemnets overflade.

Vedligehold

Dit Stanley Fat Max apparat/værktøj med eller uden ledninger er designet til at fungere i lang tid med minimal vedligeholdelse. Vedvarende tilfredsstillende funktion er afhængig af, om værktøjet plejes korrekt og rengøres regelmæssigt.

Advarsel! Før udførelse af vedligeholdelse på elværktøjer med eller uden ledninger:

- Sluk for og træk stikket ud af apparatet/værktøjet.
- Eller sluk for og fjern batteriet fra apparatet/værktøjet, hvis apparatet/værktøjet har en separat batteripakke,
- Eller kød batteriet helt ned, hvis det er integreret og sluk derefter for det.
- Træk stikket ud af opladeren før den rengøres. Din oplader kræver ingen vedligeholdelse bortset fra regelmæssig rengøring.
- Rengør regelmæssigt ventilationsåbningerne i dit apparat/værktøj og oplader med en blød børste eller en tør klud.
- Rengør regelmæssigt motorhuset med en fugtig klud. Brug ikke et slibende eller opløsningsmiddel-baseret rengøringsmiddel.
- Åbn regelmæssigt borepatronen og bank på den for at fjerne indvendigt støv (når monteret).

Miljøbeskyttelse



Særskilt bortskaffelse. Produkter og batterier mærket med dette symbol må ikke bortskaffes sammen med normalt husholdningsaffald.

Produkter og batterier indeholder materialer, der kan blive gendannet eller genanvendt og således reducere efterspørgslen efter råvarer. Genbrug venligst elektriske produkter og batterier i henhold til lokale regulativer.

Tekniske data

FMEG222 type 1		
Indgangsspænding	V_{AC}	230
Indgangseffekt	W	1.200
Nominal hastighed	min ⁻¹	11.000
Skivediameter	mm	125
Skiveboring	mm	22
Maks. skivetykkelse		
slibeskiver	mm	6
skæreskiver	mm	3,5
Spindelstørrelse		M14
Vægt	kg	2,7

Lydtrykniveau i henhold til EN 60745:

L_{pA} (lydtryk) 91,0 dB(A), usikkerhed (K) 3 dB(A)

L_{WA} (lydeffekt) 102,0 dB(A), usikkerhed (K) 3 dB(A)

Samlede vibrationsværdier (triaxvektorsum) i henhold til EN60745:

Overfladeslibning ($a_{h,ISO}$) 8,2 m/s², usikkerhed (K) 1,5 m/s²

EF-overensstemmelseserklæring

MASKINDIREKTIV



FMEG222 vinkelsliber

Stanley Fat Max erklærer, at produkterne beskrevet under "tekniske data" er udformet i overensstemmelse med: EN60745-1:2009 +A11:2010; EN60745-2-3:2011+A2:2012 +A11:2014+A12:2014+A13:2015

Disse produkter er endvidere i overensstemmelse med direktiv 2006/42/EC, 2014/30/EU 2011/65/EU.

Kontakt Stanley Fat Max på følgende adresse for yderligere oplysninger eller se bagsiden af vejledningen.

Undertegnede er ansvarlig for kompilering af den tekniske fil og udsteder denne erklæring på vegne af Stanley Fat Max .

A. Smith
Technical Director
Stanley Fat Max Europe, 210 Bath Road, Slough,
Berkshire, SL1 3YD, U.K.

15/01/2019

Garanti

Stanley Fat Max er sikker på kvaliteten af sine produkter og giver forbrugerne en garanti på 12 måneder fra købsdatoen. Garantien er et tillæg til forbrugerens lovsikrede rettigheder og påvirker ikke disse. Garantien er gyldig inden for medlemsstaterne af Den Europæiske Union og Det Europæiske Frihandelsområde.

Når du gør krav på garantien, skal kravet være i overensstemmelse med Stanley Fat Max vilkår og betingelser, og du skal indsende dokumentation for købet til sælgeren eller til en autoriseret reparatør. Vilkår og betingelser for Stanley Fat Max 1 års garanti og placeringen af dit nærmeste autoriserede serviceværksted kan fås på internettet på www.2helpU.com, eller ved at kontakte dit lokale Stanley Fat Max kontor på den adresse, der er angivet i denne vejledning.

Besøg venligst vores websted www.stanley.eu/3 for at registrere dit nye Stanley Fat Max-produkt og modtage opdateringer om nye produkter og specielle tilbud.

Käyttötarkoitus

Stanley Fat Max FMEG222 -kulmahiomakone on tarkoitettu metallin ja kivimateriaalin hiomiseen ja katkaisemiseen asianmukaisia katkaisu- ja hiomalaikkoja käyttäen. Työkalu on tarkoitettu sekä ammatti- että yksityiskäyttöön.

Turvaohjeet

Sähkötyökalun yleiset turvallisuusvaroitukset



Varoitus! Lue kaikki turvallisuusvaroitukset ja ohjeet. Jos alla olevia varoituksia ja ohjeita ei noudateta, on olemassa sähköiskun, tulipalon ja/tai vakavan henkilövahingon vaara.

Tallenna kaikki varoitukset ja ohjeet myöhempiä tarvetta varten. Kaikissa alla olevissa varoituksissa on käytettävä sähkötyökaluilmaus viittaa verkkovirtaan yhdistettävään tai akkukäyttöiseen työkaluun.

1. Työalueen turvallisuus

- Pidä työskentelyalue siistinä ja kirkkaasti valaistuna.** Onnettomuuksia sattuu herkemmin epäsiistissä tai huonosti valaistussa ympäristössä.

- Älä käytä sähkötyökaluja, jos on olemassa räjähdysvaara esimerkiksi syttyvien nesteiden, kaasujen tai pölyn vuoksi.** Sähkötyökalujen aiheuttamat kipinät voivat sytyttää pölyn tai kaasut.
- Pidä lapset ja sivulliset kaukana käyttäessäsi sähkötyökalua.** Keskeytymiskyvyn herpaantuminen voi aiheuttaa hallinnan menettämisen.

2. Sähköturvallisuus

- Pistokkeen ja pistorasian on vastattava toisiaan. Älä koskaan tee pistokkeeseen mitään muutoksia. Älä yhdistä maadoitettua sähkötyökalua jatkojohtoon.** Sähköiskun vaara vähenee, jos pistokkeisiin ei tehdä muutoksia ja ne yhdistetään vain niille tarkoitettuihin pistorasioihin.
- Älä kosketa maadoituksessa käytettäviin pintoihin, kuten putkiin, lämpöpattereihin ja jäähdytyslaitteisiin.** Voit saada sähköiskun, jos kehosi on maadoitettu.
- Älä altista sähkötyökaluja sateelle tai kosteudelle.** Sähkötyökaluun menevä vesi lisää sähköiskun vaaraa.
- Älä vaurioita sähköjohtoa. Älä kanna työkaluja sähköjohdosta tai vedä pistoketta pistorasiasta sähköjohdon avulla. Pidä sähköjohto kaukana kuumuudesta, öljystä, terävistä reunoista tai liikkuvista osista.** Vaurioituneet tai sokeutuneet johdot lisäävät sähköiskun vaaraa.
- Jos käytät sähkötyökalua ulkona, käytä vain ulkokäyttöön tarkoitettua jatkojohtoa.** Ulkokäyttöön tarkoitettujen sähköjohdon käyttäminen vähentää sähköiskun vaaraa.
- Jos sähkötyökalua on käytettävä kosteassa paikassa, käytä vikavirtasuojaa.** Tämä vähentää sähköiskun vaaraa.

3. Henkilökohtainen turvallisuus

- Käyttäessäsi sähkötyökalua pysy valppaana, keskity työhön ja käytä tervettä järkeä. Älä käytä tätä työkalua ollessasi väsynyt tai alkoholin, huumeiden tai lääkkeiden vaikutuksen alaisena.** Keskeytymisen herpaantuminen hetkeksikin sähkötyökalua käytettäessä voi aiheuttaa vakavan henkilövahingon.
- Käytä henkilösuojausvarusteita. Käytä aina suojalaseja.** Hengityssuojaimen, liukumattomien turvajalkineiden, kypärän ja kuulosuojaimen käyttäminen vähentää henkilövahinkojen vaaraa.
- Estä tahaton käynnistäminen. Varmista, että virtakytkin on OFF-asennossa, ennen kuin kytket sähkötyökalun pistorasiaan, yhdistät siihen akun, nostat työkalun käteesi tai kannat sitä.** Sähkötyökalun kantaminen sormi virtakytkimellä lisää onnettomuusvaaraa.
- Poista kaikki säätöavaimet tai vääntimet ennen sähkötyökalun käynnistämistä.** Sähkötyökalun

pyörivään osaan jäänyt säätöavain tai väännin voi aiheuttaa henkilövahingon.

- e. **Älä kurkottele. Huolehdi siitä, että sinulla on koko ajan tukeva jalansija ja hyvä tasapaino.** Näin voit hallita sähkötyökalua paremmin odottamattomissa tilanteissa.
- f. **Pukeudu oikein. Älä käytä löysiä vaatteita tai korjuja. Pidä hiukset, vaatteet ja kädet loitolla liikkuvista osista.** Löysät vaatteet, korut tai pitkät hiukset voivat tarttua liikkuviin osiin.
- g. **Jos käytettävissä on laitteita pölyn ottamiseksi talteen, käytä niitä.** Pölyn ottaminen talteen voi vähentää pölyn aiheuttamia vaaroja.

4. Sähkötyökalusta huolehtiminen

- a. **Älä kohdistaa sähkötyökaluun liikaa voimaa. Valitse käyttötarkoituksen kannalta oikea sähkötyökalu.** Sähkötyökalu toimii paremmin ja turvallisemmin, kun sitä käytetään sille suunniteltuun käyttötarkoitukseen.
- b. **Älä käytä työkalua, jos virtakytkin ei toimi.** Jos sähkötyökalua ei voi hallita kytkimen avulla, se on vaarallinen ja se on korjattava.
- c. **Katkaise sähkötyökalusta virta ja irrota sen pistoke pistorasiasta tai irrota akku siitä ennen säätämistä, varusteiden vaihtamista tai sähkötyökalun asettamista säilytykseen.** Näin voit vähentää vahingossa käynnistymisen aiheuttaman henkilövahingon vaaraa.
- d. **Varastoi sähkötyökaluja lasten ulottumattomissa. Älä anna sähkötyökaluihin tottumattomien tai näihin ohjeisiin perehtymättömien henkilöiden käyttää.** Sähkötyökalut ovat vaarallisia kouluttamattomien käyttäjien käsissä.
- e. **Pidä sähkötyökalut kunnossa. Tarkista liikkuvat osat, niiden kiinnitys, osien eheys ja muut koneen toimintaan vaikuttavat tekijät. Jos havaitset vaurioita, korjauta sähkötyökalu ennen niiden käyttämistä.** Huonosti kunnossapidetyt sähkötyökalut aiheuttavat onnettomuuksia.
- f. **Pidä leikkaavat pinnat terävinä ja puhtaina.** Kunnossa pidettyjen leikkaavia teräviä reunoja sisältävien työkalut todennäköisyys jumiutua vähenee, ja niitä on helpompi hallita.
- g. **Käytä sähkötyökalua ja sen tarvikkeita, kuten poranteriä, näiden ohjeiden mukaisesti. Ota työskentelyolosuhteet ja tehtävä työ huomioon.** Jos sähkötyökalua käytetään näiden ohjeiden vastaisesti, voi syntyä vaaratilanne.

5. Huolto

- a. **Korjauta työkalu valtuutetulla asentajalla. Varaosina on käytettävä vain alkuperäisiä vastaavia osia.** Täten taataan sähkötyökalun turvallisuus.

Sähkötyökalun lisäturvallisuusvaroitukset



Varoitus! Lisäturvallisuusohjeita hiomiseen ja katkaisutoimenpiteisiin.

- ◆ **Tämä sähkötyökalu on tarkoitettu käytettäväksi hioma- tai leikkauskoneena. Lue kaikki tämän sähkötyökalun mukana toimitetut varoitukset, käyttöohjeet ja tekniset tiedot.** Jos kaikkia ohjeita ei noudateta, on olemassa sähköiskun, tulipalon ja/tai vakavan henkilövahingon vaara.
- ◆ **Tätä sähkötyökalua ei ole suositeltavaa käyttää esimerkiksi hiekkapaperihiontaan, teräsharjaukseen ja kiillottamiseen.** Jos sähkötyökalua käytetään muuhun kuin sen suunniteltuun tarkoitukseen, seurauksena voivat olla vaaratilanteet ja henkilövahingot.
- ◆ **Älä käytä varaosia tai varusteita, joita valmistaja ei suosittele tai ole hyväksynyt.** Varusteen käyttäminen ei ole turvallista vain siksi, että se voidaan yhdistää sähkötyökaluun.
- ◆ **Varusteen nimellisa nopeuden tulee olla vähintään sama kuin sähkötyökaluun merkityn enimmäisa nopeuden.** Jos varusteita käytetään niiden nimellisa nopeutta suuremmalla nopeudella, ne voivat särkyä ja niistä voi lentää kappaleita
- ◆ **Varusteen ulkoläpimitan ja paksuuden on vastattava sähkötyökalun kapasiteettia.** Väärän kokoista varustetta ei voida suojata tai hallita riittävästi tehokkaasti.
- ◆ **Lisävarusteiden kierteisen kiinnitysosaa on sovittava hiomakoneen karan kierteisiin. Laippojen avulla asennettujen lisävarusteiden kohdalla lisävarusteen kiinnitysureiän on sovittava laipan sijoituskohdan halkaisijaan.** Jos varustetta ei voi kiinnittää sähkötyökaluun kunnolla, voi aiheutua epätasapaino ja voit menettää työkalun hallinnan tärinä vuoksi.
- ◆ **Älä käytä vaurioitunutta lisävarustetta. Ennen käyttämistä tarkista, ettei tarvikkeessa (esimerkiksi hiomalaiikassa) ole halkeamia, repeämiä tai kulumia.** Jos sähkötyökalu putoaa, tarkista, onko siihen tullut vaurioita ja vaihda vaurioitunut osa. Kun olet tarkistanut laitteen, siirry kauas siitä ja pyydä muitakin siirtymään kauemmas. Anna sähkötyökaluun käydä suurimmalla nopeudella kuormittamattomana minuutin ajan. Vaurioitunut varuste tavallisesti särkyi tämän testausajan kuluessa.
- ◆ **Käytä henkilökohtaisia suojavausteita. Käytä kasvosuojusta tai turvalaseja tehtävän työn vaatimusten mukaisesti. Käytä tarvittaessa hengityssuojainta, kuulosuojaimia, käsineitä ja suojavaatetusta, joka estää lentävien kappaleiden aiheuttamat henkilövahingot.** Turvalasien on pystyttävä estämään lentäviä kappaleita aiheuttamasta henkilövahinkoja. Hengityssuojaimen on pystyttävä

estämään hiukkasia pääsemästä hengitysteihin. Pitkäaikainen altistuminen melulle voi heikentää kuuloa.

- ◆ **Pidä sivulliset turvallisen etäisyyden päässä työskentelyalueesta. Työskentelyalueella on käytettävä henkilösuojavarusteita.** Työstettävän kappaleen tai särkyneen varusteen singahtavat osat voivat aiheuttaa henkilövahinkoja.
- ◆ **Jos terä voi osua piilotettuihin sähköjohtoihin tai työkalun omaan sähköjohtoon, tartu vain työkalun eristettyihin tarttumapintoihin.** Leikkaavien varusteiden osuminen jännitteiseen johtoon tekee sen paljaista metalliosista jännitteisiä, joten käyttäjä voi saada sähköiskun.
- ◆ **Pidä sähköjohto kaukana työkalusta.** Jos menetät työkalun hallinnan, johto voi katketa tai vaurioitua tai työkalu voi osua käteesi.
- ◆ **Laske työkalu alas vasta kun se on täysin pysähtynyt.** Käynnissä oleva työkalu voi osua työtason pintaan, jolloin menetät sen hallinnan.
- ◆ **Älä anna sähkötyökalun olla käynnissä kantaessasi sitä.** Jos käynnissä oleva sähkötyökalu tarttuu vaatteisiisi, se voi osua kehoosi.
- ◆ **Puhdista sähkötyökalun ilmanvaihtouukot säännöllisesti.** Moottorin puhallin vetää pölyä työkalun sisään. Metallipölyn kertyminen voi aiheuttaa sähköiskun vaaran.
- ◆ **Älä käytä sähkötyökalua helposti syttyvien aineiden läheisyydessä.** Kipinät voivat sytyttää ne.
- ◆ **Älä käytä nestejäähdytystä edellyttäviä varusteita.** Veden tai muun jäähdytysaineen käyttäminen voi aiheuttaa sähköiskun.

Huomautus: Yllä oleva varoitus ei koske sähkötyökaluja, jotka on tarkoitettu käytettäväksi nestejärjestelmällä.

Takapotku ja vastaavat varoitukset

Takapotku aiheutuu äkillisesti hiomalaikan, taustalevyn, harjan tai varusteen juutuessa kiinni. Tällöin pyörä pysähtyy ja sähkötyökalu lähtee hallitsemattomasti vastakkaiseen suuntaan.

Jos esimerkiksi hiomalaikka jää kiinni työstettävään kappaleeseen, laikan reuna voi kaivautua sen pintaan, jolloin hiomalaikka voi nousta pinnalle tai aiheuttaa potkun. Hiomalaikka voi singahtaa käyttäjää kohden tai hänestä poispäin sen mukaan mihin suuntaan laikka pyörii jäädessään kiinni. Tällöin hiomalaikka voi myös rikkoutua.

Takapotku on seurausta sähkötyökalun väärinkäyttämisestä tai virheellisistä olosuhteista. Se voidaan välttää seuraavien varoitimien avulla.

- ◆ **Pitele työkalua tiukasti. Pidä kehosi ja käsivartesi asennossa, jossa ne vastustavat takapotkun voimaa.**

Pidä aina kiinni lisäkavasta, jotta takapotku ja käynnistymisen aikana esiintyvä vääntöreaktio pysyvät hallinnassa. Käyttäjä voi hallita vääntöreaktiota tai takapotkuvoimaa, jos tarvittaviin varotoimiin ryhdytään.

- ◆ **Älä vie käsiä käynnissä olevan työkalun lähelle.** Se voi aiheuttaa takapotkun.
- ◆ **Pidä kehosi kaukana alueelta, johon sähkötyökalu singahtaa takapotkun vaikutuksesta.** Takapotku saa työkalun singahtamaan vastakkaiseen suuntaan laikan liikkeeseen nähden, jos se tarttuu kiinni.
- ◆ **Noudata erityistä huolellisuutta kulumia, teräviä reunoja yms. työstäessä. Vältä varusteen kimpoamista ja tarttumista.** Nurkat, terävät kulmat tai kimpoaminen voivat aiheuttaa toiminnassa olevan työkalun jäämisen kiinni, jolloin sen hallinta menetetään tai voi aiheutua takapotku.
- ◆ **Älä kiinnitä työkaluun sahanterää.** Muutoin aiheutuu helposti takapotku tai hallinnan menetys.

Varoitukset hiomiseen ja katkaisutoimenpiteisiin:

- ◆ **Käytä vain sähkötyökalulle suositeltuja laikkoja ja niitä varten tarkoitettuja suojuksia.** Jos sähkötyökalussa käytetään laikkoja, joita ei ole tarkoitettu käytettäväksi siinä, niitä ei voi suojata kunnolla, joten ne aiheuttavat vaaran.
- ◆ **Keskelle painettujen laikkojen hiomapinta on asennettava suojakaistaleen tason alapuolelle.** Virheellisesti asennettua laikkaa, joka näkyy suojakaistaleen tason läpi, ei voida suojata oikeapoppisesti.
- ◆ **Suojus on kiinnitettävä sähkötyökaluun kunnolla ja asetettava turvalliseen asentoon, jotta mahdollisimman pieni osa laikasta jää näkyviin.** Suoja estää rikkoutuneiden laikan sirujen sinkoamisen, koskettamisen vahingossa laikkaan ja vaatetuksen syyttymisen kipinöiden vuoksi.
- ◆ **Käytä laikkoja vain niille suositeltuihin käyttötarkoituksiin. Esimerkki: Älä käytä katkaisulaikkaa hiomiseen.** Hiovat katkaisulaikat on tarkoitettu hiomiseen. Niiden aiheuttamat sivusuuntaiset voimat voivat saada laikan rikkoutumaan.
- ◆ **Käytä aina oikean kokoisia ja muotoisia ehjiä hiomalaikkoja.** Tällöin laikan rikkoutumisen vaara vähenee. Katkaisulaikat voivat olla erilaisia kuin hiomalaikat.
- ◆ **Älä käytä suuremmissa sähkötyökaluissa käytettyjä kuluneita laikkoja.** Suurempien sähkötyökalujen laikat eivät kestä pienemmän työkalun suurempaa nopeutta, joten ne voivat särkyä.

Lisäturvallisuusohjeita katkaisutoimenpiteisiin

- ◆ **Vältä katkaisulaikan "juuttumista kiinni" ja kohdistamasta laikkaan liian suurta painetta. Älä yritä leikata kappaletta liian syvältä. Mikäli laikka**

ylikuormittuu, laikka voi helpommin väännyä tai juuttua kiinni leikkauskohtaan, jolloin takaiskun ja laikan vaurioitumisen vaara kasvaa.

- ◆ **Älä aseta kehoasi pyörivän laikan tielle tai sen taakse.** Kun laikka siirtyy käytön aikana kehostasi pois päin, mahdollinen takaisinisku voi aiheuttaa pyörivän laikan ja sähkötyökalun siirtymisen voimalla suoraan sinua kohti.
- ◆ **Jos laikka juuttuu kiinni tai leikkaus keskeytetään jostakin syystä, sammuta sähkötyökalu ja pidä sitä paikoillaan, kunnes laikka pysähtyy kokonaan. Älä koskaan yritä poistaa laikkaa leikkauskohdasta laikan pyöriessä, muutoin on olemassa takaiskun vaara.** Tutki laikan juuttumisen syy ja suorita korjaustoimenpiteet.
- ◆ **Älä käynnistä leikkaustoimenpidettä uudelleen pitäen työkalua työkappaleessa. Anna laikan saavuttaa täysi nopeus ja aseta se varoen takaisin leikkauskohtaan.** Laikka voi taittua, siirtyä ylös tai iskeytyä takaisin, jos sähkötyökalu käynnistetään uudelleen työkappaleessa.
- ◆ **Tue paneeleja tai kaikkia liian suuria työkappaleita laikan kiinni juuttumisen ja takaisiniskun välttämiseksi.** Suuret työkappaleet pyrkivät taipumaan omasta painostaan. Tuet tulee asettaa työkappaleen alapuolelle leikkauslinjan lähelle ja työkappaleen reunan lähelle laikan molemmalla puolella.
- ◆ **Noudata erityistä varovaisuutta tehdessäsi upotusleikkausta seiniin ja muihin sokeisiin kohteisiin.** Ulostuleva laikka voi leikata kaasui- tai vesiputkia, sähköjohtoja tai muita kohteita, jotka voivat aiheuttaa takaiskun.

Muiden henkilöiden turvallisuus

- ◆ Tämä työkalu soveltuu yli 8-vuotiaiden lasten ja sellaisten henkilöiden käyttöön, joilla on fyysisiä tai älyllisiä rajoitteita tai aistirajoitteita, kuten myös laitteen toimintaan perehtymättömien henkilöiden käyttöön, jos heitä valvotaan tai jos he ovat saaneet laitteen turvalliseen käyttöön liittyvää opastusta ja ymmärtävät laitteen käyttöön liittyvät vaarat.
- ◆ Älä anna lasten leikkiä laitteella. Puhdistus- ja huoltotöitä ei saa jättää lapsille ilman valvontaa.

Jännösriski

Myös muut kuin turvavaroituksissa mainitut riskit ovat mahdollisia työkalua käytettäessä. Nämä riskit voivat liittyä muun muassa virheelliseen tai pitkäaikaiseen käyttöön.

Tiettyjä jännösriskejä ei voi välttää, vaikka noudatetaan kaikkia turvamaaräyksiä ja käytät turvalaitteita. Näitä ovat:

- ◆ Pyörivien tai liikkuvien osien koskettamisen aiheuttamat vahingot.
- ◆ Osia, teriä tai lisävarusteita vaihdettaessa aiheutuneet vahingot.
- ◆ Työkalun pitkäaikaisen käytön aiheuttamat vahingot. Varmista, että pidät säännöllisesti taukoja työkalun pitkäaikaisen käytön aikana.

- ◆ Kuulon heikkeneminen.
- ◆ Työkalua käytettäessä (esimerkiksi puuta, erityisesti tammea, pyökkiä ja MDF-levyjä käsiteltäessä) syntyneen pölyn sisäänhengityksen aiheuttamat terveysriskit.

Tärinä

Teknisissä tiedoissa ja vaatimustenmukaisuusvakuutuksessa ilmoitettu tärinäpäästöarvo on mitattu EN 60745 -standardin testausmenetelmän mukaisesti, ja arvoa voi käyttää työkalujen keskinäiseen vertailuun.

Ilmoitettua tärinäpäästöarvoa voi käyttää myös altistumisen alustavaan arviointiin.

Varoitus! Sähkötyökalun käytön aikana mitattu todellinen tärinäpäästöarvo voi poiketa ilmoitetusta tärinäpäästöarvosta työkalun käyttötavan mukaan. Tärinätaso voi olla ilmoitettu tasoa suurempi.

Kun tärinälle altistumista arvioidaan sen määrittämiseksi, mitä direktiivin 2002/44/EY mukaisia turvatoimenpiteitä vaaditaan sähkötyökaluja säännöllisesti käyttävien henkilöiden suojelemiseksi, tärinälle altistumisen arvioinnissa on otettava huomioon todelliset käyttöolosuhteet ja työkalun käyttötavat. Todellisen käytön lisäksi on kiinnitettävä huomiota myös siihen, milloin työkalu on sammutettuna tai se käy tyhjäkäynnillä.

Jännitelasku

Kytkenäntävirtasysäykset aiheuttavat lyhytaikaisia jännitelaskuja. Epäsuotuisissa virransyöttöolosuhteissa se voi vaikuttaa muihin laitteistoihin.

Jos virransyötön järjestelmän impedenssi on alle 0,424 Ω, häiriöt ovat epätodennäköisiä.

Työkalun tarrat

Työkalu sisältää seuraavat kuvakkeet sekä päivämääräkoodin:



Varoitus! Loukkaantumisriskin vähentämiseksi käyttäjän on luettava tämä käyttöohje.



Käytä suojalaseja tämän koneen käyttämisen aikana.



Käytä kuulonsuojaimia tämän koneen käyttämisen aikana.

Sähköturvallisuus



Tämä työkalu on kaksoiseristetty; se ei täten vaadi maadoitusjohtoa. Tarkista aina, että verkkovirran jännite vastaa tyyppikilpeen merkittyä jännitettä.

- ◆ Jos virtajohto on vaurioitunut, vaaratilanteiden välttämiseksi se on annettava valmistajan tai valtuutetun Stanley Fat Max-huoltopalvelun vaihdettavaksi.

Ominaisuudet

Tämä kone sisältää kaikki seuraavat ominaisuudet tai joitakin niistä.

1. Virtakytkin
2. Lukituksen vapautuspainike
3. Lukituspainike
4. Sivukahva
5. Karan lukko
6. Suojus

Asennus

Varoitus! Varmista ennen asennusta, että työkalu on sammutettu ja irrotettu sähköverkosta.

Suojuksen kiinnittäminen ja irrottaminen (kuvat A & B)

Työkalussa on vain hiomiseen tarkoitettu suojus. Jos työkalulla halutaan suorittaa katkaisutoimenpiteitä, asenna siihen tarkoitettu suojus.

Sopiva suojus katkaisutoimenpiteisiin (osnumero 1004484-01) on saatavilla Stanley Fat Max-huoltopalveluista.

Asennus

- ◆ Aseta työkalu pöydälle kara (7) ylöspäin.
- ◆ Aseta jousikuormitteinen aluslaatta (8) karaan ja paikanna se tukikappaleessa.
- ◆ Aseta suojus (6) työkaluun näytetyllä tavalla.
- ◆ Aseta laippa (9) karaan ulostulevat osat suojukseen päin. Varmista, että laipan reiät kohdistuvat ruuviaukkoihin.
- ◆ Kiinnitä laippa ruuveilla (10). Varmista, että ruuvit ovat täysin kireällä ja että suojusta voidaan kiertää.

Irrotus

- ◆ Irrota ruuvit (10) ruuvimeisselillä.
- ◆ Poista laippa (9), suojus (6) sekä jousikuormitteinen aluslaatta (8). Säilytä kyseisiä osia huolellisesti.

Varoitus! Älä käytä tätä työkalua ilman suojusta.

Suojuksen säätäminen

Suojaa voidaan kiertää 90°.

- ◆ Kierrä suojusta tarpeen mukaan.

Sivukahvan kiinnitys

- ◆ Ruuvaa sivukahva (4) työkalun johonkin asennusreikään.

Varoitus! Käytä aina sivukahvaa.

Hioma- tai leikkauslaikan asettaminen ja irrottaminen (kuvat C - E)

Käytä aina oikeanlaista laikkaa käyttötarkoituksen mukaan.

Käytä aina halkaisijaltaan ja reiän kooltaan oikeanlaisia laikkoja (ks. tekniset tiedot).

Asennus

- ◆ Asenna suojus yllä kuvatulla tavalla.
- ◆ Aseta sisälaippa (11) karaan (7) kuvan mukaisesti (kuva C). Varmista, että laippa on oikein paikoillaan karan tasaisilla sivuilla.
- ◆ Aseta laikka (12) karaan (7) kuvan mukaisesti (kuva C). Jos laikassa on koholla oleva keskiosa (13), tarkista, että se osoittaa sisälaippaan päin.
- ◆ Varmista, että laikka on oikein sisälaipassa.
- ◆ Ruuvaa ulkoinen laippa (14) karaan. Kun asennat hiomalaikan, ulkoisen laipan kohotetun keskiosan tulee osoittaa laikkaan päin (A kuvassa D). Kun asennat katkaisulaikan, ulkoisen laipan kohotetun keskiosan tulee osoittaa laikasta poispäin (B kuvassa D).
- ◆ Pidä karan lukitusta (5) alhaalla ja kiristä ulkoinen laippa kaksipäisellä ruuviavaimella (15) (kuva E).

Irrotus

- ◆ Pidä karan lukitusta (5) alhaalla ja löysää ulkoinen laippa (14) kaksipäisellä ruuviavaimella (15) (kuva E).
- ◆ Poista ulkoinen laippa (14) ja laikka (12).

Käyttö

Varoitus! Anna työkalun käydä ilman kuormitusta. Vältä työkalun ylikuormittamista.

- ◆ Ohjaa kaapelia varoen, jotta et leikkaisi sitä vahingossa.
- ◆ Varo kipinöitä hioma- tai katkaisulaikan osuessa työstökappaleeseen.
- ◆ Aseta työkalu niin, että suojus suojaaa mahdollisimman hyvin hioma- tai katkaisulaikalta.

Käynnistäminen ja sammuttaminen

- ◆ Käynnistä työkalu painamalla lukituksen vapautuspainiketta (2) ja sen jälkeen virtakytkintä (1).
- ◆ Paina lukituspainiketta (3) jatkuvaa toimintaa varten ja vapauta virtakytkin.
- ◆ Sammuta työkalu vapauttamalla virtakytkin. Kun haluat sammuttaa työkalun jatkuvassa toiminnassa, paina virtakytkintä vielä kerran ja vapauta se.

Varoitus! Älä käynnistä tai sammuta työkalua, kun se on kuormitettuna.

Pehmeä käynnistys

Pehmeä käynnistys estää laitteen hallinnan menettämisen käynnistettäessä. Tästä ominaisuudesta on hyötyä varsinkin ahtaissa paikoissa.

No-Volt

No-volt-toiminto estää hiomakoneen uudelleen käynnistymisen ilman kytkintä, jos virransyötössä tapahtuu keskeytys.

Vinkkejä optimaaliseen käyttöön

- ◆ Pidä työkalusta tiukasti kiinni pitäen yhtä kättä sivukahvassa ja toista kättä pääkahvassa (kuva F).
- ◆ Säilytä hiomisen aikana aina noin 15° kulma laikan ja työstökappaleen pinnan välillä.

Huolto

Langallinen/langaton Stanley Fat Max-työkalusi/koneesi on suunniteltu käytettäväksi pitkään ja edellyttämään vain vähän kunnossapitoa. Oikea käsittely ja säännöllinen puhdistus varmistavat laitteen ongelmattoman toiminnan.

Varoitus! Ennen langallisen/langattoman sähkötyökalun huoltamista:

- ◆ Sammuta ja irrota laite/työkalu sähköverkosta.
- ◆ Tai sammuta ja poista laitteen/sähkötyökalun akku, jos laitteessa/työkalussa on erillinen akku.
- ◆ Tai käytä akkuvirta loppuun sen ollessa laitteessa ja sammuta kone sen jälkeen.
- ◆ Irrota laturi sähköverkosta ennen sen puhdistamista. Laturi ei vaadi huoltoa, ainoastaan säännöllisen puhdistuksen.
- ◆ Puhdista laitteen/työkalun/laturin tuuletusaukot pehmeällä harjalla tai kuivalla liinalla.
- ◆ Puhdista moottorikotelo säännöllisesti kostealla liinalla. Älä käytä hiovia tai liuotinpohjaisia puhdistusaineita.
- ◆ Avaa istukka säännöllisesti ja napauta sitä pölyn poistamiseksi sen sisältä (kun varusteena).

Ympäristönsuojelu



Toimita tämä laite erilliskeräykseen. Tällä symbolilla merkityjä tuotteita ja akkuja ei saa hävittää tavallisen kotitalousjätteen mukana.

Tuotteissa ja akuissa on materiaaleja, jotka voidaan kerätä tai kierrättää uudelleen käyttöä varten.

Kierrätä sähkölaitteet ja akut paikallisten määräyksiin mukaisesti.

Tekniset tiedot

FMEG222 Tyypyi 1		
Tulojännite	V_{AC}	230
Ottoteho	W	1,200
Nimellisnopeus	min ⁻¹	11,000
Laikan halkaisija	mm	125
Laikan reikä	mm	22
Laikan maksimipaksuus		
hiomalaikat	mm	6
katkaisulaikat	mm	3,5
Karan koko		M14
Paino	kg	2,7

Äänenpainetaso, määritetty EN 60745-standardin mukaan:
L_{pA} (äänipaine) 91,0 dB(A), epävarmuus (K) 3 dB(A)
L_{WA} (ääniteho) 102,0 dB(A), epävarmuus (K) 3 dB(A)
Tärinän kokonaisarvot (kolmiakselivektorisumma) EN60745 -standardin mukaisesti:
Pinnan hiominen ($a_{h,ISO}$) 8,2 m/s ² , epävarmuus (K) 1,5 m/s ²

EU-vaatimustenmukaisuusvakuutus KONEDIREKTIIVI



FMEG222 Kulmahiomakone

Stanley Fat Max vakuuttaa, että nämä tuotteet täyttävät seuraavat määräykset:
EN60745-1:2009 +A11:2010; EN60745-2-3:2011+A2:2012
+A11:2014+A12:2014+A13:2015

Nämä tuotteet täyttävät myös direktiivien 2006/42/EY, 2014/30/EU, 2011/65/EU vaatimukset.

Saat lisätietoja ottamalla yhteyden Stanley Fat Maxiin. Osoitteet näkyvät käyttöohjeen takasivulla.

Allekirjoittaja vastaa teknisistä tiedoista ja antaa tämän vakuutuksen Stanley Fat Maxin puolesta.

A. Smith
Technical Director

Stanley Fat Max Europe, 210 Bath Road, Slough,
Berkshire, SL1 3YD, Iso-Britannia
15.01.2019

Takuu

Stanley Fat Max on vakuutunut tuotteidensa korkeasta laadusta ja tarjoaa kuluttajille 12 kuukauden takuun, joka astuu voimaan ostopäivänä. Takuu on lisäys kuluttajan laillisiin oikeuksiin eikä vaikuta niihin. Tämä takuu on voimassa kaikissa EU- ja ETA-maissa.

Edellytyksenä takuun saamiselle on, että vaade täyttää Stanley Fat Maxin ehdot ja että ostaja toimittaa ostotositteen jälleenmyyjälle tai valtuutetulle huoltoliikkeelle. Stanley Fat Maxin yhden vuoden takuun ehdot ja lähimmän valtuutetun korjauspalvelun yhteystiedot ovat saatavilla osoitteessa www.2helpU.com tai ottamalla yhteyttä paikalliseen Stanley Fat Maxin toimipisteeseen tässä ohjekirjassa ilmoitettuihin osoitteisiin.

Käy verkkosivuiltamme osoitteessa www.stanley.eu/3 ja rekisteröi uusi Stanley Fat Max -tuotteesi. Sivuilta saat myös päivityksiä uusista tuotteista ja erikoistarjouksista.

Προβλεπόμενη χρήση

Ο γωνιακός τροχός Stanley Fat Max FMEG222 που αποκτήσατε έχει σχεδιαστεί για τρύχιση-λείανση και κοπή μετάλλων και ειδών τοιχοποιίας με χρήση του κατάλληλου τύπου δίσκου κοπής ή τρυχίσματος. Αυτό το εργαλείο προορίζεται για επαγγελματική και ιδιωτική, μη επαγγελματική χρήση.

Οδηγίες ασφαλείας

Γενικές προειδοποιήσεις ασφαλείας για ηλεκτρικά εργαλεία



Προειδοποίηση! Διαβάστε όλες τις προειδοποιήσεις ασφαλείας και όλες τις οδηγίες. Η μη τήρηση των προειδοποιήσεων και των οδηγιών που αναφέρονται παρακάτω μπορεί να έχει ως αποτέλεσμα ηλεκτροπληξία, πυρκαγιά και/ή σοβαρή σωματική βλάβη.

Φυλάξτε όλες τις προειδοποιήσεις και τις οδηγίες για μελλοντική αναφορά. Ο χαρακτηρισμός "ηλεκτρικό εργαλείο" που χρησιμοποιείται σε όλες τις παρακάτω προειδοποιήσεις αφορά είτε το εργαλείο που συνδέεται στην πρίζα (με καλώδιο) είτε το εργαλείο που λειτουργεί με μπαταρία (χωρίς καλώδιο).

1. Ασφάλεια χώρου εργασίας

- α. Διατηρείτε το χώρο εργασίας καθαρό και καλά φωτισμένο. Οι ατακτοποιητοί ή σκοτεινοί χώροι γίνονται αιτίες ατυχημάτων.
- β. Μη χρησιμοποιείτε ηλεκτρικά εργαλεία σε περιβάλλον όπου υπάρχει κίνδυνος έκρηξης, όπως με παρουσία εύφλεκτων υγρών, αερίων ή σκόνης. Τα ηλεκτρικά εργαλεία παράγουν σπινθήρες που μπορεί να προκαλέσουν ανάφλεξη της σκόνης ή των αναθυμιάσεων.
- γ. Όταν χρησιμοποιείτε ηλεκτρικό εργαλείο, κρατάτε τα παιδιά και άλλα άτομα μακριά. Παράγοντες που αποσπούν την προσοχή μπορεί να σας κάνουν να χάσετε τον έλεγχο.

2. Ασφαλής χρήση ηλεκτρικού ρεύματος

- α. Τα φισ των ηλεκτρικών εργαλείων πρέπει να ταιριάζουν στην πρίζα. Δεν επιτρέπεται με κανέναν τρόπο η μετασκευή του φισ. Μη χρησιμοποιείτε προσαρμοστικά φισ με γειωμένα ηλεκτρικά εργαλεία. Τα φισ που δεν έχουν υποστεί τροποποιήσεις και οι κατάλληλες πρίζες μειώνουν τον κίνδυνο ηλεκτροπληξίας.
- β. Αποφεύγετε την επαφή του σώματός σας με γειωμένες επιφάνειες, όπως σωλήνες, καλοριφέρ, κουζίνες και ψυγεία. Υπάρχει αυξημένος κίνδυνος ηλεκτροπληξίας αν το σώμα σας γειωθεί.

(Μετάφραση των πρωτότυπων οδηγιών)

- γ. Μη εκθέτετε τα ηλεκτρικά εργαλεία σε βροχή ή υγρασία. Η εισχώρηση νερού σε ηλεκτρικό εργαλείο αυξάνει τον κίνδυνο ηλεκτροπληξίας.
 - δ. Μη κακομεταχειρίζεστε το καλώδιο. Μη χρησιμοποιείτε ποτέ το καλώδιο για να μεταφέρετε το εργαλείο, να το τραβήξετε ή να το αποσυνδέσετε από την πρίζα. Κρατάτε το καλώδιο μακριά από θερμότητα, λάδια, αιχμηρά άκρα ή κινούμενα μέρη. Τυχόν χαλασμένα ή μπερδεμένα καλώδια αυξάνουν τον κίνδυνο ηλεκτροπληξίας.
 - ε. Όταν χρησιμοποιείτε ηλεκτρικό εργαλείο σε εξωτερικούς χώρους, να χρησιμοποιείτε πάντοτε καλώδιο πρόεκτασης κατάλληλο για χρήση σε εξωτερικούς χώρους. Η χρήση καλωδίου κατάλληλου για εργασία σε εξωτερικούς χώρους μειώνει τον κίνδυνο ηλεκτροπληξίας.
 - στ. Εάν είναι αναπόφευκτη η χρήση ενός ηλεκτρικού εργαλείου σε συνθήκες υγρασίας, χρησιμοποιήστε μια διάταξη προστασίας από ρεύμα διαρροής (RCD). Η χρήση μιας διάταξης RCD μειώνει τον κίνδυνο ηλεκτροπληξίας.
- #### 3. Ατομική ασφάλεια
- α. Όταν χρησιμοποιείτε ηλεκτρικό εργαλείο, να είστε σε εγρήγορση, να συγκεντρώνεστε στην εργασία που κάνετε και να επιστρατεύετε την κοινή λογική. Μη χρησιμοποιείτε ηλεκτρικό εργαλείο όταν είστε κουρασμένος/ή υπό την επήρεια ναρκωτικών, οινοπνεύματος ή φαρμακευτικής αγωγής. Μια στιγμή απροσεξίας κατά τη χρήση ηλεκτρικών εργαλείων μπορεί να προκαλέσει σοβαρό τραυματισμό.
 - β. Να χρησιμοποιείτε ατομικό εξοπλισμό προστασίας. Πάντα φοράτε προστασία ματιών. Ο εξοπλισμός προστασίας, όπως μάσκα κατά της σκόνης, αντιολισθητικά παπούτσια ασφαλείας, κράνος ή προστασία ακοής, όταν χρησιμοποιείται για τις κατάλληλες συνθήκες, θα μειώσει τους τραυματισμούς και τις σωματικές βλάβες.
 - γ. Αποτρέψτε την ακούσια ενεργοποίηση. Βεβαιωθείτε ότι ο διακόπτης λειτουργίας βρίσκεται στη θέση απενεργοποίησης πριν συνδέσετε το εργαλείο στην πηγή ρεύματος και/ή τοποθετήσετε το πακέτο μπαταρίας, πριν πάρετε ή μεταφέρετε το εργαλείο. Η μεταφορά ηλεκτρικών εργαλείων με το δάκτυλο στο διακόπτη ή η σύνδεση εργαλείων στην πηγή ρεύματος με το διακόπτη στη θέση ενεργοποίησης ενέχουν κίνδυνο ατυχήματος.
 - ε. Πριν θέσετε το ηλεκτρικό εργαλείο σε λειτουργία, αφαιρέστε τυχόν εργαλεία ή κλειδιά ρύθμισης. Αν ένα μηχανικό κλειδί ή κλειδί ρύθμισης ξεχαστεί συνδεδεμένο σε περιστρεφόμενο εξάρτημα του ηλεκτρικού εργαλείου, αυτό μπορεί να έχει ως αποτέλεσμα τραυματισμό ατόμων.

- ε. **Μην τεντώνετε υπερβολικά. Διατηρείτε πάντα σταθερή στήριξη στα πόδια σας και καλή ισορροπία.** Έτσι μπορείτε να έχετε καλύτερο έλεγχο του ηλεκτρικού εργαλείου σε μη αναμενόμενες καταστάσεις.
- στ. **Φοράτε κατάλληλη ενδυμασία εργασίας. Μη φοράτε ρούχα με χαλαρή εφαρμογή ή κοσμήματα. Κρατάτε τα μαλλιά, τα ρούχα και τα γάντια σας μακριά από κινούμενα μέρη.** Τα χαλαρά ρούχα, τα κοσμήματα και τα μακριά μαλλιά μπορούν να πιαστούν σε κινούμενα μέρη.
- ζ. **Αν παρέχονται διατάξεις για τη σύνδεση συστημάτων απομάκρυνσης και συλλογής της σκόνης, βεβαιωθείτε ότι αυτές συνδέονται και χρησιμοποιούνται κατάλληλα.** Η χρήση διατάξεων συλλογής της σκόνης μπορεί να μειώσει τους κινδύνους που προέρχονται από τη σκόνη.
4. **Χρήση και φροντίδα ηλεκτρικών εργαλείων**
- α. **Μην υπερφορτώνετε το ηλεκτρικό εργαλείο. Χρησιμοποιείτε το σωστό ηλεκτρικό εργαλείο για την εφαρμογή.** Το σωστό ηλεκτρικό εργαλείο θα εκτελέσει την εργασία καλύτερα και ασφαλέστερα, με την ένταση χρήσης για την οποία σχεδιάστηκε.
- β. **Μη χρησιμοποιήσετε το ηλεκτρικό εργαλείο αν ο διακόπτης του δεν μπορεί να το ενεργοποιεί και απενεργοποιεί.** Οποιοδήποτε εργαλείο δεν μπορεί να ελεγχθεί μέσω του διακόπτη του, είναι επικίνδυνο και πρέπει να επισκευαστεί.
- γ. **Αποσυνδέστε το φις από την πηγή ρεύματος και/ή το πακέτο μπαταρίας από το ηλεκτρικό εργαλείο, πριν διεξαγάγετε οποιαδήποτε ρύθμιση, αλλαγή εξαρτήματος ή όταν πρόκειται να αποθηκεύσετε το ηλεκτρικό εργαλείο.** Τέτοια προληπτικά μέτρα ασφαλείας μειώνουν το κίνδυνο αθέλητης εκκίνησης του ηλεκτρικού εργαλείου.
- δ. **Να φυλάσσετε μακριά από παιδιά τα ηλεκτρικά εργαλεία που δεν χρησιμοποιείτε. Μην αφήνετε να χρησιμοποιήσουν ηλεκτρικό εργαλείο άτομα που δεν είναι εξοικειωμένα με αυτό ή άτομα που δεν έχουν διαβάσει αυτές τις οδηγίες χρήσης.** Τα ηλεκτρικά εργαλεία είναι επικίνδυνα στα χέρια μη εκπαιδευμένων χρηστών.
- ε. **Να συντηρείτε τα ηλεκτρικά εργαλεία. Ελέγχετε για προβλήματα ευθυγράμμισης ή μάγκωμα των κινούμενων εξαρτημάτων, θραύση εξαρτημάτων, καθώς και για οποιοδήποτε άλλο πρόβλημα μπορεί να επηρεάσει τη λειτουργία των ηλεκτρικών εργαλείων. Αν το εργαλείο έχει υποστεί ζημιά, φροντίστε να επισκευαστεί πριν το χρησιμοποιήσετε.** Η ανεπαρκής συντήρηση των ηλεκτρικών εργαλείων αποτελεί αιτία πολλών ατυχημάτων.
- στ. **Διατηρείτε τα εργαλεία κοπής κοφτερά και καθαρά.** Τα κατάλληλα συντηρημένα εργαλεία κοπής με αιχμηρά άκρα

κοπής έχουν μικρότερες πιθανότητες να μαγκώσουν και ελέγχονται ευκολότερα.

- ζ. **Να χρησιμοποιείτε το ηλεκτρικό εργαλείο, τα αξεσουάρ και τις μύτες των εργαλείων κλπ. σύμφωνα με τις παρούσες οδηγίες, λαμβάνοντας υπόψη σας τις συνθήκες εργασίας και την εργασία που θέλετε να εκτελέσετε.** Η χρήση του ηλεκτρικού εργαλείου για εργασίες διαφορετικές από τις προβλεπόμενες θα μπορούσε να οδηγήσει σε επικίνδυνη κατάσταση.

5. Σέρβις

- α. **Το σέρβις του ηλεκτρικού σας εργαλείου πρέπει να το αναλαμβάνει έμπειρος τεχνικός που χρησιμοποιεί μόνο γνήσια ανταλλακτικά.** Έτσι θα εξασφαλίσετε τη διατήρηση της ασφάλειας του ηλεκτρικού εργαλείου.

Συμπληρωματικές προειδοποιήσεις ασφαλείας για ηλεκτρικά εργαλεία



Προειδοποίηση! Πρόσθετες προειδοποιήσεις ασφαλείας για εργασίες τροχίσματος ή κοπής.

- ◆ Αυτό το ηλεκτρικό εργαλείο προορίζεται για εργασίες τροχίσματος ή κοπής. Διαβάστε όλες τις προειδοποιήσεις ασφαλείας, τις οδηγίες, τις απεικονίσεις και τις προδιαγραφές που συνοδεύουν αυτό το ηλεκτρικό εργαλείο. Η μη τήρηση οποιασδήποτε από τις οδηγίες που αναφέρονται πιο κάτω μπορεί να έχει ως αποτέλεσμα ηλεκτροπληξία, πυρκαγιά και/ή σοβαρό τραυματισμό.
- ◆ Δεν συνιστάται να εκτελούνται με αυτό το ηλεκτρικό εργαλείο εργασίες όπως λείανση με γυαλόχαρτο, βούρτσισμα με συρματόβουρτσα και γυάλισμα. Οι εργασίες για τις οποίες δεν έχει σχεδιαστεί το εργαλείο μπορεί να δημιουργήσουν κίνδυνο και να προκαλέσουν σωματική βλάβη.
- ◆ Μη χρησιμοποιείτε αξεσουάρ τα οποία δεν είναι ειδικά σχεδιασμένα και δεν συνιστώνται από τον κατασκευαστή του εργαλείου. Απλά επειδή το αξεσουάρ μπορεί να προσαρτηθεί στο ηλεκτρικό σας εργαλείο, αυτό δεν εξασφαλίζει την ασφαλή λειτουργία.
- ◆ Η ονομαστική ταχύτητα του αξεσουάρ πρέπει να είναι τουλάχιστον ίση με τη μέγιστη ταχύτητα που είναι επισημασμένη πάνω στο ηλεκτρικό εργαλείο. Αξεσουάρ που περιστρέφονται ταχύτερα από την ονομαστική τους ταχύτητα μπορεί να σπάζουν και τα θραύσματά τους να εκτιναχθούν.
- ◆ Η εξωτερική διάμετρος και το πάχος του αξεσουάρ σας πρέπει να είναι εντός της ονομαστικής χωρητικότητας του ηλεκτρικού εργαλείου σας. Δεν είναι εφικτή η επαρκής προφύλαξη ή έλεγχος για αξεσουάρ λανθασμένου μεγέθους.

- ◆ Η βιδωτή βάση των αξεσουάρ πρέπει να ταιριάζει με το σπείρωμα του άξονα του εργαλείου τροχού. Για αξεσουάρ που στερεώνονται με φλάντζες, η οπή ατράκτου του αξεσουάρ πρέπει να ταιριάζει με τη διάμετρο τοποθέτησης της φλάντζας. Αξεσουάρ που δεν ταιριάζουν με τα υλικά στερέωσης του ηλεκτρικού εργαλείου θα κινούνται εκτός ζυγοστάθμισης, θα δονούνται υπερβολικά και μπορεί να γίνουν αιτία απώλειας του ελέγχου.
 - ◆ Μη χρησιμοποιήσετε αξεσουάρ που έχει υποστεί ζημιά. Πριν από κάθε χρήση επιθεωρείτε το αξεσουάρ, όπως είναι οι τροχοί λείανσης, για εκκλίσεις και ρωγμές, το πέλμα στήριξης τους για ρωγμές, σχίσμο ή υπερβολική φθορά. Αν πέσει κάτω το ηλεκτρικό εργαλείο ή το αξεσουάρ, ελέγξτε το αξεσουάρ προσεκτικά για ζημιά ή εγκαταστήστε αξεσουάρ που δεν έχει υποστεί ζημιά. Μετά την επιθεώρηση και την εγκατάσταση ενός αξεσουάρ, εσείς και τυχόν παρευρισκόμενα άτομα πρέπει να πάρετε θέση μακριά από το επίπεδο περιστροφής της λεπίδας και να λειτουργήσετε το ηλεκτρικό εργαλείο στη μέγιστη ταχύτητα χωρίς φορτίο για ένα λεπτό. Τα αξεσουάρ που έχουν υποστεί ζημιά κανονικά θα διαλυθούν στη διάρκεια αυτού του χρόνου δοκιμής.
 - ◆ Φοράτε ατομικό εξοπλισμό προστασίας. Ανάλογα με την εφαρμογή, χρησιμοποιείτε προστατευτικό προσώπου, ειδικά προστατευτικά γυαλιά ή γυαλιά ασφαλείας. Φοράτε, όπως ενδείκνυται, μάσκα κατά της σκόνης, προστατευτικά ακοής, γάντια και ποδιά συνεργείου ικανή να σταματά θραύσματα από τον τροχό λείανσης ή το τεμάχιο εργασίας. Τα προστατευτικά ματιών πρέπει να έχουν την ικανότητα να σταματούν εκκινασσόμενα σωματίδια που παράγονται από διάφορες εργασίες. Η μάσκα ή η αναπνευστική συσκευή πρέπει να έχει την ικανότητα να φιλτράρει σωματίδια που παράγονται από την εργασία σας. Η παρατεταμένη έκθεση σε θόρυβο υψηλής έντασης μπορεί να προκαλέσει μόνιμη βλάβη της ακοής.
 - ◆ Κρατάτε τους παρευρισκόμενους σε ασφαλή απόσταση από την περιοχή εργασίας. Οποιοσδήποτε εισέρχεται στην περιοχή εργασίας πρέπει να φορά εξοπλισμό προστασίας. Θραύσματα του τεμαχίου εργασίας ή σπασμένου αξεσουάρ μπορεί να εκτιναχτούν και να προκαλέσουν τραυματισμό πέρα από την άμεση περιοχή όπου εκτελείται η εργασία.
 - ◆ Κρατάτε το ηλεκτρικό εργαλείο από μονωμένες επιφάνειες λαβής όταν εκτελείτε μια εργασία όπου το αξεσουάρ κοπής μπορεί να έρθει σε επαφή με αθέατα καλώδια ή με το ίδιο του το καλώδιο. Αν αξεσουάρ κοπής έρθει σε επαφή με καλώδιο υπό τάση, μπορεί να τεθούν υπό ηλεκτρική τάση και τα εκτεθειμένα μεταλλικά μέρη του ηλεκτρικού εργαλείου και να προκληθεί ηλεκτροπληξία στο χειριστή.
 - ◆ Διευθετήστε το καλώδιο μακριά από το περιστρεφόμενο αξεσουάρ. Αν χάσετε τον έλεγχο, το καλώδιο μπορεί να κοπεί ή να μπλεχτεί και το κάτω ή το πάνω τμήμα του χεριού σας μπορεί τραβηχτεί πάνω στο περιστρεφόμενο αξεσουάρ.
 - ◆ Ποτέ μην αφήσετε κάτω το ηλεκτρικό εργαλείο αν πρώτα δεν έχει σταματήσει τελείως να κινείται το αξεσουάρ. Το περιστρεφόμενο αξεσουάρ μπορεί να έρθει σε επαφή με την επιφάνεια και να ακινητοποιηθεί σε αυτή, με αποτέλεσμα το ηλεκτρικό εργαλείο να τραβηχτεί εκτός ελέγχου σας.
 - ◆ Μην έχετε ή θέτετε σε λειτουργία το ηλεκτρικό εργαλείο ενώ το μεταφέρετε στο πλευρό σας. Τυχόν αθλήτη επαφή με το περιστρεφόμενο αξεσουάρ θα μπορούσε να πιάσει τα ρούχα σας, τραβώντας το αξεσουάρ προς το σώμα σας.
 - ◆ Καθαρίζετε τακτικά τα ανοίγματα αέρα του ηλεκτρικού εργαλείου. Ο ανεμιστήρας του μοτέρ θα τραβήξει τη σκόνη μέσα στο περίβλημα και η υπερβολικά μεγάλη συγκέντρωση σκόνης μετάλλου μπορεί να προκαλέσει κινδύνους από το ηλεκτρικό ρεύμα.
 - ◆ Μη χρησιμοποιείτε το ηλεκτρικό εργαλείο κοντά σε εύφλεκτα υλικά. Αυτά τα υλικά θα μπορούσαν να αναφλεγούν από σπινθήρες.
 - ◆ Μη χρησιμοποιείτε αξεσουάρ για τα οποία απαιτείται ψύξη με ψυκτικά υγρά. Η χρήση νερού ή άλλων υγρών ψυκτικών μπορεί να προκαλέσει ηλεκτροπληξία που ίσως αποβεί θανατηφόρα.
- ΣΗΜΕΙΩΣΗ:** Η παραπάνω προειδοποίηση δεν έχει εφαρμογή σε ηλεκτρικά εργαλεία που έχουν σχεδιαστεί ειδικά για χρήση με σύστημα υγρού.
- Ανάδραση και σχετικές προειδοποιήσεις**
Η ανάδραση είναι μια αιφνίδια αντίδραση σε ένα περιστρεφόμενο τροχό, ένα πέλμα στήριξης, μια βούρτσα ή οποιοδήποτε άλλο αξεσουάρ έχει σφηνώσει ή μαγκώσει. Το σφηνώμα ή το μάγκωμα προκαλεί ταχύτατη ακινητοποίηση του περιστρεφόμενου αξεσουάρ, κάτι που κάνει το μη ελεγχόμενο ηλεκτρικό εργαλείο να περιστραφεί σε κατεύθυνση αντίθετη με την κατεύθυνση περιστροφής του αξεσουάρ στο σημείο της ακινητοποίησης.
- Για παράδειγμα, αν ένας τροχός λείανσης μαγκώσει ή σφηνώσει στο τεμάχιο εργασίας, το άκρο του τροχού που εισέρχεται στο σημείο του σφηνώματος μπορεί να σκαλώσει στην επιφάνεια του υλικού κάνοντας τον τροχό να ανέβει προς τα έξω ή να πιναχτεί προς τα έξω. Ο τροχός μπορεί να πιναχτεί είτε προς την κατεύθυνση του χειριστή είτε αντίθετα, ανάλογα με την κατεύθυνση κίνησης του τροχού στο σημείο της ακινητοποίησης. Οι τροχοί λείανσης μπορεί επίσης να σπάσουν υπό αυτές τις συνθήκες.
- Η ανάδραση είναι το αποτέλεσμα κακής χρήσης του ηλεκτρικού εργαλείου και/ή λανθασμένων διαδικασιών ή

συνθηκών χειρισμού και μπορεί να αποφευχθεί με τη λήψη κατάλληλων μέτρων προφύλαξης, όπως αναφέρεται πιο κάτω.

- ◆ Διατηρείτε σταθερό κράτημα του ηλεκτρικού εργαλείου και τοποθετείτε το σώμα και το χέρι σας έτσι ώστε να μπορείτε να αντισταθείτε στις δυνάμεις της ανάδρασης. Πάντα να χρησιμοποιείτε τη βοηθητική λαβή, αν παρέχεται, για μέγιστο έλεγχο έναντι της ανάδρασης ή της αντίδρασης στη ροπή που αναπτύσσεται κατά την έναρξη λειτουργίας. Ο χειριστής μπορεί να ελέγξει τις αντιδράσεις στη ροπή ή τις δυνάμεις ανάδρασης, αν λαμβάνονται κατάλληλα μέτρα προφύλαξης.
- ◆ Ποτέ μην τοποθετείτε το χέρι σας κοντά στο περιστρεφόμενο αξεσουάρ. Το αξεσουάρ μπορεί κατά την ανάδραση να κινηθεί πάνω στο χέρι σας.
- ◆ Μην τοποθετείτε το σώμα σας στην περιοχή όπου θα κινηθεί το ηλεκτρικό εργαλείο αν προκύψει ανάδραση. Η ανάδραση θα κινήσει το εργαλείο σε κατεύθυνση αντίθετη με την κίνηση του τροχού στο σημείο της ακινητοποίησης.
- ◆ Προσέχετε ιδιαίτερα όταν επεξεργάζεστε γωνίες, αιχμηρά άκρα κλπ. Αποφεύγετε την αναπήδηση και το μάγκωμα του αξεσουάρ. Οι γωνίες, τα αιχμηρά άκρα ή η αναπήδηση τείνουν να προκαλέσουν μάγκωμα του αξεσουάρ και να προκαλέσουν απώλεια του ελέγχου ή ανάδραση.
- ◆ Μη συνδέσετε στο εργαλείο λεπίδα ξυλογλυπτικής με αλυσίδα ή οδοντωτή λεπίδα πριονιού. Αυτού του είδους οι λεπίδες δημιουργούν συχνή ανάδραση και απώλεια του ελέγχου.

Προειδοποιήσεις ασφαλείας ειδικά για εργασίες τροχίσματος και κοπής με λείανση:

- ◆ Χρησιμοποιείτε μόνο τύπους τροχών που συνιστώνται για το ηλεκτρικό εργαλείο σας και το συγκεκριμένο προστατευτικό που έχει σχεδιαστεί για τον επιλεγμένο τροχό. Για τροχούς για τους οποίους δεν έχει σχεδιαστεί το ηλεκτρικό εργαλείο δεν μπορεί να επιτευχθεί επαρκής προστασία και επομένως αυτοί δεν είναι ασφαλείς.
- ◆ Η επιφάνεια τροχίσματος σε τροχούς βυθισμένου κέντρου πρέπει να τοποθετείται κάτω από το επίπεδο του χείλους του προστατευτικού. Ένας ακατάλληλα τοποθετημένος τροχός που προεξέχει από το επίπεδο του χείλους προφυλακτήρα δεν επιτρέπει επαρκή προστασία.
- ◆ Το προστατευτικό πρέπει να είναι ποσορητημένο στέρεα στο ηλεκτρικό εργαλείο και να έχει ρυθμιστεί η θέση του για μέγιστη ασφάλεια, ώστε ο χειριστής να είναι εκτεθειμένος σε όσο το δυνατόν μικρότερο μέρος του τροχού. Το προστατευτικό βοηθά να προστατεύεται ο χειριστής από θραύσματα λόγω ενδεχόμενης θραύσης του τροχού, από κατά λάθος επαφή με τον τροχό και από

σπινθήρες οι οποίοι θα μπορούσαν να προκαλέσουν ανάφλεξη σε ρουχισμό.

- ◆ Οι τροχοί πρέπει να χρησιμοποιούνται μόνο για τις συνιστώμενες εφαρμογές. Για παράδειγμα: μην τροχίζετε με το πλάι του τροχού κοπής. Οι λειαντικοί τροχοί κοπής προορίζονται για τρόχισμα με την περιφέρεια μόνο και αν εφαρμοστούν πλευρικές δυνάμεις στους τροχούς αυτούς, μπορεί να προκληθεί θραύση τους.
- ◆ Πάντα να χρησιμοποιείτε φλάντζες τροχών που δεν έχουν ζημιές και είναι του σωστού μεγέθους και σχήματος για τον τροχό που έχετε επιλέξει. Οι σωστές φλάντζες τροχού υποστηρίζουν τον τροχό, μειώνοντας έτσι την πιθανότητα θραύσης του. Οι φλάντζες για τροχούς κοπής τροχού να είναι διαφορετικές από τις φλάντζες για τις τροχούς τροχίσματος.
- ◆ Μη χρησιμοποιείτε φθαρμένους τροχούς από μεγαλύτερα εργαλεία. Ένας τροχός που προορίζεται για μεγαλύτερο ηλεκτρικό εργαλείο δεν είναι κατάλληλος για τη μεγαλύτερη ταχύτητα ενός μικρότερου εργαλείου και μπορεί να σπάσει.

Πρόσθετες προειδοποιήσεις ασφαλείας ειδικά για εργασίες κοπής με λείανση

- ◆ Μη “σφηνώνετε” τον τροχό κοπής και μην εφαρμόζετε υπερβολική πίεση. Μην επιχειρείτε να πραγματοποιήσετε υπερβολικό βάθος κοπής. Η υπερβολική καταπόνηση του τροχού αυξάνει το φορτίο και την ευπάθεια σε συστροφή ή μάγκωμα του τροχού μέσα στην κοπή και την πιθανότητα ανάδρασης ή θραύσης του τροχού.
- ◆ Μην τοποθετείτε το σώμα σας σε ευθεία με ή πίσω από τον περιστρεφόμενο τροχό. Αν ο τροχός, στο σημείο χρήσης του, κινείται μακριά από το σώμα σας, μια πιθανή ανάδραση (κλώτσημα) μπορεί να κάνει τον περιστρεφόμενο τροχό και το ηλεκτρικό εργαλείο να πιναχτούν κατευθειάν προς το μέρος σας.
- ◆ Όταν μαγκώνει ο τροχός ή όταν διακόπτετε μια κοπή για οποιονδήποτε λόγο, απενεργοποιείτε το ηλεκτρικό εργαλείο και κρατάτε το εργαλείο ακίνητο έως ότου ο τροχός ακινητοποιηθεί τελείως. Ποτέ μην επιχειρήσετε να αφαιρέσετε τον τροχό κοπής από την κοπή ενώ ο τροχός κινείται, διαφορετικά μπορεί να προκύψει ανάδραση. Διερευνήστε και πάρτε διορθωτικά μέτρα για να εξαλείψετε το αίτιο του μαγκώματος του τροχού.
- ◆ Μην επανεκκινήσετε την εργασία κοπής από μέσα από το τεμάχιο εργασίας. Αφήστε πρώτα τον τροχό να φθάσει σε πλήρη ταχύτητα και προσεκτικά εισάγετε τον πάλι στην κοπή. Ο τροχός μπορεί να μαγκώσει, να κινηθεί προς το μέρος σας ή να παρουσιάσει ανάδραση (κλώτσημα) αν το ηλεκτρικό εργαλείο επανεκκινήσει ενώ είναι μέσα στο τεμάχιο εργασίας.

- ♦ **Να υποστηρίξετε τα μεγάλα φύλλα ή τα υπερμεγέθη τεμάχια εργασίας ώστε να ελαχιστοποιείτε τον κίνδυνο σπληνώματος και ανάδρασης του τροχού.** Τα μεγάλα τεμάχια εργασίας τείνουν να κάμπτονται υπό το ίδιο τους το βάρος. Τα στηρίγματα πρέπει να τοποθετούνται κάτω από το τεμάχιο εργασίας κοντά στη γραμμή κοπής και κοντά στο άκρο του τεμαχίου εργασίας και στις δύο πλευρές του τροχού.
- ♦ **Να είστε εξαιρετικά προσεκτικοί όταν δημιουργείτε “κοπή εσωτερικού ανοίγματος” σε υπάρχοντες τοίχους ή άλλες τυφλές περιοχές.** Ο τροχός που προεξέχει μπορεί να κόψει σωλήνες αερίου ή νερού, ηλεκτρικά καλώδια ή αντικείμενα που μπορεί να προκαλέσουν ανάδραση.

Ασφάλεια τρίτων

- ♦ Αυτό το εργαλείο μπορεί να χρησιμοποιηθεί από παιδιά ηλικίας 8 ετών και άνω καθώς και από άτομα με μειωμένες σωματικές, αισθητηριακές ή διανοητικές ικανότητες ή άτομα χωρίς εμπειρία και γνώσεις, μόνο εφόσον αυτά επιτηρούνται ή τους έχουν δοθεί οδηγίες σχετικά με την ασφαλή χρήση της συσκευής και έχουν κατανοήσει τους πιθανούς κινδύνους.
- ♦ Τα παιδιά δεν πρέπει να παίζουν με τη συσκευή. Ο καθαρισμός και η συντήρηση από τον χρήστη δεν πρέπει να γίνονται από παιδιά χωρίς επίβλεψη.

Υπολειπόμενοι κίνδυνοι

Κατά τη χρήση του εργαλείου μπορεί να δημιουργηθούν πρόσθετοι υπολειπόμενοι κίνδυνοι, οι οποίοι ενδέχεται να μη συμπεριλαμβάνονται στις προειδοποιήσεις ασφαλείας που εσωκλείονται. Αυτοί οι κίνδυνοι μπορεί να προκληθούν από κακή χρήση, παρατεταμένη χρήση κλπ.

Παρά την εφαρμογή των σχετικών κανονισμών ασφαλείας και τη χρήση διατάξεων ασφαλείας, ορισμένοι υπολειπόμενοι κίνδυνοι δεν είναι δυνατό να αποφευχθούν. Σ' αυτούς περιλαμβάνονται:

- ♦ Τραυματισμοί από επαφή με περιστρεφόμενα/κινούμενα μέρη.
- ♦ Τραυματισμοί κατά την αλλαγή οποιωνδήποτε εξαρτημάτων, λεπίδων ή αξεσουάρ.
- ♦ Σωματικές βλάβες από παρατεταμένη χρήση του εργαλείου. Όταν χρησιμοποιείτε οποιοδήποτε εργαλείο για παρατεταμένα χρονικά διαστήματα, μην παραλείπετε με κανένα τρόπο να κάνετε τακτικά διαλείμματα.
- ♦ Βλάβη της ακοής.
- ♦ Κίνδυνοι στην υγεία που προκαλούνται από την εισπνοή σκόνης, όταν χρησιμοποιείτε το εργαλείο (παραδείγματα: όταν επεξεργάζεστε ξύλο, ειδικά δρυ, οξιά και MDF.)

Κραδασμοί

Η δηλωμένη τιμή εκπομπής κραδασμών που αναφέρεται στα τεχνικά χαρακτηριστικά και τη δήλωση συμμόρφωσης

έχει μετρηθεί σύμφωνα με τυποποιημένη μέθοδο δοκιμής που προβλέπεται από το πρότυπο EN 60745 και μπορεί να χρησιμοποιηθεί για τη σύγκριση ενός εργαλείου με ένα άλλο. Η δηλωμένη τιμή εκπομπής κραδασμών μπορεί επίσης να χρησιμοποιηθεί σε έναν προκαταρκτικό προσδιορισμό της έκθεσης σε κραδασμούς.

Προειδοποίηση! Η τιμή εκπομπής κραδασμών κατά την χρήση του ηλεκτρικού εργαλείου στην πράξη, μπορεί να διαφέρει από την τιμή που δηλώθηκε, ανάλογα με τον τρόπο που χρησιμοποιείται το εργαλείο. Το επίπεδο κραδασμών μπορεί να αυξηθεί πάνω από το επίπεδο που έχει δηλωθεί.

Κατά τον προσδιορισμό της έκθεσης σε κραδασμούς για τον καθορισμό των απαιτούμενων μέτρων ασφάλειας σύμφωνα με την οδηγία 2002/44/ΕΚ για την προστασία προσώπων που χρησιμοποιούν συχνά ηλεκτρικά εργαλεία στην εργασία τους, μια προσεγγιστική εκτίμηση της έκθεσης σε κραδασμούς πρέπει να λαμβάνει υπόψη τις πραγματικές συνθήκες χρήσης και τον τρόπο χρήσης του εργαλείου, συμπεριλαμβανομένων και όλων των επιμέρους τμημάτων του κύκλου εργασίας, όπως τα χρονικά διαστήματα που το εργαλείο ήταν εκτός λειτουργίας και τα διαστήματα λειτουργίας χωρίς φορτίο επιπλέον του χρόνου πίεσης της σκανδάλης.

Πτώσεις τάσης

Τα ρεύματα εκκίνησης προκαλούν σύντομες βυθίσεις της τάσης. Υπό δυσμενείς συνθήκες παροχής ρεύματος, μπορεί να επηρεαστεί άλλος εξοπλισμός. Αν η σύνθετη αντίσταση της παροχής ρεύματος είναι μικρότερη από 0,424 Ω, δεν είναι πιθανό να προκύψουν διαταραχές.

Ετικέτες πάνω στο εργαλείο

Τα εικονογράμματα που ακολουθούν μαζί με τον ο κωδικό ημερομηνίας εμφανίζονται πάνω στο εργαλείο:



Προειδοποίηση! Για να μειωθεί ο κίνδυνος τραυματισμού, ο χρήστης πρέπει να διαβάσει το εγχειρίδιο οδηγιών.



Φοράτε γυαλιά ασφαλείας ή ειδικά προστατευτικά γυαλιά όταν χρησιμοποιείτε αυτό το εργαλείο.



Φοράτε προστασία ακοής όταν χρησιμοποιείτε αυτό το εργαλείο.

Ασφαλής χρήση ηλεκτρικού ρεύματος



Αυτό το εργαλείο φέρει διπλή μόνωση και επομένως δεν απαιτείται καλώδιο γείωσης. Ελέγχετε πάντα ότι η παροχή ρεύματος αντιστοιχεί στην τάση που αναφέρεται στην πινακίδα στοιχείων.

- ♦ Αν το καλώδιο ρεύματος έχει υποστεί ζημιά, πρέπει να αντικατασταθεί από τον κατασκευαστή ή εξουσιοδοτημένο

κέντρο σέρβις Stanley Fat Max, για την αποφυγή κινδύνου.

Χαρακτηριστικά

Στο εργαλείο αυτό διατίθενται ορισμένα ή όλα τα παρακάτω χαρακτηριστικά.

1. Διακόπτης ενεργοποίησης/απενεργοποίησης (on/off)
2. Κουμπί ασφάλισης σε απενεργοποιημένη κατάσταση
3. Κουμπί ασφάλισης σε λειτουργία
4. Πλευρική λαβή
5. Ασφάλεια άξονα
6. Προστατευτικό

Συναρμολόγηση

Προειδοποίηση! Πριν από τη συναρμολόγηση, βεβαιωθείτε ότι το εργαλείο είναι απενεργοποιημένο και ότι το φινιέρωμα είναι συνδεδεμένο στην πρίζα.

Τοποθέτηση και αφαίρεση του προστατευτικού (εικ. A & B)

Το εργαλείο συνοδεύεται από ένα προστατευτικό που προορίζεται για χρήσεις τροχίσματος μόνο. Αν η μονάδα προορίζεται για εκτέλεση εργασιών κοπής, πρέπει να τοποθετηθεί ένα προστατευτικό ειδικό για αυτόν τον τύπο εργασίας.

Ένα κατάλληλο προστατευτικό για εργασίες κοπής, με αριθμό ανταλλακτικού 1004484-01, είναι διαθέσιμο και μπορείτε να το αποκτήσετε από τα κέντρα σέρβις της Stanley Fat Max.

Τοποθέτηση

- ◆ Τοποθετήστε το εργαλείο σε ένα τραπέζι, με τον άξονα (7) στραμμένο προς τα πάνω.
- ◆ Τοποθετήστε την ελατηριωτή ροδέλα (8) πάνω στον άξονα και ρυθμίστε τη θέση της πάνω στον αυχένα.
- ◆ Τοποθετήστε το προστατευτικό (6) πάνω στο εργαλείο όπως δείχνει η εικόνα.
- ◆ Τοποθετήστε τη φλάντζα (9) πάνω στον άξονα με τις προεξοχές προς το προστατευτικό. Βεβαιωθείτε ότι οι σπές στη φλάντζα συμπίπτουν με τις σπές για τις βίδες.
- ◆ Στερεώστε τη φλάντζα με τις βίδες (10). Βεβαιωθείτε ότι οι βίδες είναι καλά σφικτιμένες και ότι το προστατευτικό μπορεί να περιστρέφεται.

Αφαίρεση

- ◆ Χρησιμοποιήστε ένα κατσαβίδι για να αφαιρέσετε τις βίδες (10).
- ◆ Αφαιρέστε τη φλάντζα (9), το προστατευτικό (6) και την ελατηριωτή ροδέλα (8). Φυλάξτε αυτά τα εξαρτήματα προσεκτικά.

Προειδοποίηση! Ποτέ μη χρησιμοποιήσετε το εργαλείο χωρίς το προστατευτικό.

Ρύθμιση του προστατευτικού

Το προστατευτικό μπορεί να περιστραφεί 90°.

- ◆ Περιστρέψτε το προστατευτικό όπως απαιτείται.

Τοποθέτηση της πλευρικής λαβής

- ◆ Βιδώστε την πλευρική λαβή (4) σε μία από τις σπές στερέωσης στο εργαλείο.

Προειδοποίηση! Πάντα να χρησιμοποιείτε την πλευρική λαβή.

Τοποθέτηση και αφαίρεση δίσκων τροχίσματος ή κοπής (εικ. C - E)

Πάντα να χρησιμοποιείτε το σωστό τύπο δίσκου για την εφαρμογή σας. Πάντα να χρησιμοποιείτε δίσκους με τη σωστή διάμετρο και μέγεθος σπής (βλέπε τα τεχνικά χαρακτηριστικά).

Τοποθέτηση

- ◆ Τοποθετήστε το προστατευτικό όπως περιγράφηκε πιο πάνω.
- ◆ Τοποθετήστε την εσωτερική φλάντζα (11) πάνω στον άξονα (7) όπως δείχνει η εικόνα (εικ. C). Βεβαιωθείτε ότι η φλάντζα έχει πάρει τη σωστή θέση πάνω στις επίπεδες πλευρές του άξονα.
- ◆ Τοποθετήστε το δίσκο (12) πάνω στον άξονα (7) όπως δείχνει η εικόνα (εικ. C). Αν ο δίσκος έχει ανυψωμένο κέντρο (13), βεβαιωθείτε ότι το ανυψωμένο κέντρο είναι στραμμένο προς την εσωτερική φλάντζα.
- ◆ Βεβαιωθείτε ότι ο δίσκος έχει πάρει τη σωστή θέση πάνω στην εσωτερική φλάντζα.
- ◆ Τοποθετήστε την εξωτερική φλάντζα (14) πάνω στον άξονα. Όταν τοποθετείτε ένα δίσκο τροχίσματος, το ανυψωμένο κέντρο στην εξωτερική φλάντζα πρέπει να είναι στραμμένο προς το δίσκο (Α στην εικ. D). Όταν τοποθετείτε ένα δίσκο κοπής, το ανυψωμένο κέντρο στην εξωτερική φλάντζα πρέπει να είναι στραμμένο αντίθετα με το δίσκο (Β στην εικ. D).
- ◆ Κρατήστε την ασφάλεια άξονα (5) πατημένη και σφίξτε την εξωτερική φλάντζα χρησιμοποιώντας το κλειδί δύο πείρων (15) (εικ. E).

Αφαίρεση

- ◆ Κρατήστε την ασφάλεια άξονα (5) πατημένη και λασκάρτε την εξωτερική φλάντζα (14) χρησιμοποιώντας το κλειδί δύο πείρων (15) (εικ. E).
- ◆ Αφαιρέστε την εξωτερική φλάντζα (14) και το δίσκο (12).

Χρήση

Προειδοποίηση! Αφήστε το εργαλείο να λειτουργήσει με το δικό του ρυθμό. Μην το υπερφορτώνετε.

- ◆ Καθοδηγείτε προσεκτικά το καλώδιο για να αποφύγετε να το κόψετε κατά λάθος.

- ◆ Να είστε προετοιμασμένοι για ροή σπινθήρων όταν ο δίσκος τροχίσματος ή κοπής έρθει σε επαφή με το τεμάχιο εργασίας.
- ◆ Πάντα να τοποθετείτε το εργαλείο με τέτοιο τρόπο ώστε το προστατευτικό να προσφέρει τη βέλτιστη προστασία από το δίσκο τροχίσματος ή κοπής.

Ενεργοποίηση και απενεργοποίηση

- ◆ Για να θέσετε σε λειτουργία το εργαλείο, πιάστε το κουμπί ασφάλισης στην απενεργοποιημένη κατάσταση (2) και κατόπιν το διακόπτη ενεργοποίησης/ απενεργοποίησης (on/off) (1).
- ◆ Για συνεχή λειτουργία, πατήστε το κουμπί συνεχόμενης λειτουργίας (3) και αφήστε ελεύθερο το διακόπτη ενεργοποίησης/ απενεργοποίησης.
- ◆ Για να απενεργοποιήσετε το εργαλείο, αποδεσμεύστε το διακόπτη ενεργοποίησης/ απενεργοποίησης. Για να απενεργοποιήσετε το εργαλείο όταν βρίσκεται σε συνεχόμενη λειτουργία, πατήστε το διακόπτη ενεργοποίησης/ απενεργοποίησης ακόμη μία φορά και αφήστε τον ελεύθερο.

Προειδοποίηση! Μην απενεργοποιείτε το εργαλείο όταν είναι υπό φορτίο.

Λειτουργία ομαλής εκκίνησης

Η λειτουργία ομαλής εκκίνησης επιτρέπει αργή αύξηση της ταχύτητας ώστε να αποφευχθεί η αρχική ανάδραση κατά την εκκίνηση. Αυτή η δυνατότητα είναι ιδιαίτερα χρήσιμη κατά τη λειτουργία σε περιορισμένους χώρους.

Λειτουργία No-Volt (αποτροπής επανεκκίνησης)

Η λειτουργία No-volt αποτρέπει την επανεκκίνηση του εργαλείου τροχού μετά από αποκατάσταση διακοπής ρεύματος, αν αυτό δεν απενεργοποιηθεί και ενεργοποιηθεί πάλι με το διακόπτη.

Συμβουλές για άριστη χρήση

- ◆ Κρατάτε σταθερά το εργαλείο με το ένα χέρι γύρω από την πλευρική λαβή και το άλλο χέρι γύρω από την κύρια λαβή (εικ. F).
- ◆ Κατά τη λείανση, πάντα να διατηρείτε γωνία περ. 15° ανάμεσα στο δίσκο και στην επιφάνεια του τεμαχίου εργασίας.

Συντήρηση

Αυτό το εργαλείο με καλώδιο/χωρίς καλώδιο της Stanley Fat Max έχει σχεδιαστεί έτσι ώστε να λειτουργεί για μεγάλο χρονικό διάστημα με την ελάχιστη δυνατή συντήρηση. Η συνεχής ικανοποιητική λειτουργία εξαρτάται από τη σωστή φροντίδα και τον τακτικό καθαρισμό του εργαλείου.

Προειδοποίηση! Πριν πραγματοποιήσετε οποιαδήποτε συντήρηση σε ηλεκτρικά εργαλεία με καλώδιο/χωρίς καλώδιο:

- ◆ Απενεργοποιήστε και αποσυνδέστε τη συσκευή/το εργαλείο από την πρίζα.
- ◆ Ή απενεργοποιήστε και αφαιρέστε το πακέτο μπαταρίας από τη συσκευή/το εργαλείο, εάν η συσκευή/το εργαλείο διαθέτει αφαιρούμενο πακέτο μπαταρίας.
- ◆ Ή χρησιμοποιήστε τη συσκευή μέχρι να εξαντληθεί πλήρως η μπαταρία, αν είναι ενσωματωμένη, και στη συνέχεια απενεργοποιήστε τη συσκευή.
- ◆ Πριν τον καθαρισμό του φορτιστή αποσυνδέστε τον από την πρίζα. Ο φορτιστής σας δεν χρειάζεται οποιαδήποτε συντήρηση πέραν του τακτικού καθαρισμού.
- ◆ Να καθαρίζετε τακτικά τις εγκοπές εξερισμού της συσκευής/του εργαλείου/του φορτιστή χρησιμοποιώντας μια μαλακή βούρτσα ή ένα στεγνό πανί.
- ◆ Να καθαρίζετε τακτικά το περίβλημα του μοτέρ με ένα ελαφρά υγρό πανί. Μην χρησιμοποιείτε λειαντικά υγρά καθαρισμού ή καθαριστικά που περιέχουν διαλυτικά.
- ◆ Να ανοίγετε τακτικά το τσοκ (όταν είναι τοποθετημένο) και να το χτυπάτε ελαφρά για να αφαιρέτε τη σκόνη από το εσωτερικό του.

Προστασία του περιβάλλοντος



Χωριστή συλλογή. Τα προϊόντα και οι μπαταρίες που επισημαίνονται με αυτό το σύμβολο δεν πρέπει να απορρίπτονται μαζί με τα κανονικά οικιακά απορρίμματα.

Τα προϊόντα και οι μπαταρίες περιέχουν υλικά που μπορούν να ανακτηθούν ή να ανακυκλωθούν ώστε να μειωθούν οι ανάγκες για πρώτες ύλες.

Παρακαλούμε να ανακυκλώνετε τα ηλεκτρικά προϊόντα και τις μπαταρίες σύμφωνα με τους τοπικούς κανονισμούς.

Τεχνικά χαρακτηριστικά

FMEG222 Τύπος 1		
Τάση εισόδου	V_{AC}	230
Είσοδος ισχύος	W	1.200
Ονομαστική ταχύτητα	min^{-1}	11.000
Διάμετρος δίσκου	mm	125
Οπή δίσκου	mm	22
Μέγ. πάχος δίσκου		
δίσκοι τροχίσματος	mm	6
δίσκοι κοπής	mm	3,5
Μέγεθος άξονα		M14
Βάρος	kg	2,7

Στάθμη ηχητικής πίεσης σύμφωνα με το EN 60745

L_{pA} (ηχητική πίεση)	91,0 dB(A), αβεβαιότητα (K) 3 dB(A)
L_{WA} (ηχητική Ισχύς)	102,0 dB(A), αβεβαιότητα (K) 3 dB(A)

Οι συνολικές τιμές κραδασμών (διανυσματικό άθροισμα τριών αξόνων) καθορίστηκαν σύμφωνα με το πρότυπο EN60745:

Τρόχισμα επιφάνειας ($a_{h,sc}$) 8,2 m/s², αβεβαιότητα (K) 1,5 m/s²

Δήλωση συμμόρφωσης EK ΟΔΗΓΙΑ ΠΕΡΙ ΜΗΧΑΝΗΜΑΤΩΝ



FMEG222 Γωνιακός τροχός

Η Stanley Fat Max δηλώνει ότι τα προϊόντα αυτά που περιγράφονται στα “τεχνικά χαρακτηριστικά” συμμορφώνονται με τα ακόλουθα:

EN60745-1:2009 +A11:2010; EN60745-2-3:2011+A2:2012
+A11:2014+A12:2014+A13:2015

Αυτά τα προϊόντα συμμορφώνονται επίσης με την οδηγία 2006/42/EK, 2014/30/EE 2011/65/EE.

Για περισσότερες πληροφορίες, παρακαλείστε να επικοινωνήσετε με την Stanley Fat Max στην παρακάτω διεύθυνση ή να ανατρέξετε στο πίσω μέρος του εγχειριδίου.

Ο κάτωθι υπογεγραμμένος είναι υπεύθυνος για την κατάρτιση του τεχνικού φακέλου και δηλώνει τα παρόντα εκ μέρους της Stanley Fat Max.

A. Smith

Technical Director

Stanley Fat Max Europe, 210 Bath Road, Slough,
Berkshire, SL1 3YD, United Kingdom
15/01/2019

Εγγύηση

Η Stanley Fat Max είναι σίγουρη για την ποιότητα των προϊόντων της και προσφέρει στους καταναλωτές εγγύηση 12 μηνών από την ημερομηνία αγοράς. Αυτή η εγγύηση είναι πρόσθετο δικαίωμά σας και δεν ζημιώνει τα νόμιμα δικαιώματά σας. Η εγγύηση ισχύει εντός της επικράτειας των χωρών μελών της Ευρωπαϊκής Ένωσης και της Ευρωπαϊκής Ζώνης Ελεύθερων Συναλλαγών.

Για να υποβάλετε αξίωση βάσει της εγγύησης, η αξίωση θα πρέπει να είναι σύμφωνη με τους Όρους και προϋποθέσεις της Stanley Fat Max και θα χρειαστεί να υποβάλετε απόδειξη αγοράς στον πωλητή ή σε εξουσιοδοτημένο αντιπρόσωπο επισκευών. Μπορείτε να αποκτήσετε τους Όρους και προϋποθέσεις της εγγύησης 1 ετών της Stanley Fat Max και να μάθετε την τοποθεσία του πλησιέστερου εξουσιοδοτημένου αντιπροσώπου επισκευών στο Internet στο www.2helpU.com,

ή επικοινωνώντας με το τοπικό σας γραφείο Stanley Fat Max στη διεύθυνση που υποδεικνύεται στο παρόν εγχειρίδιο.

Επισκεφθείτε την ιστοσελίδα μας www.stanley.eu/3 για να καταχωρίσετε το νέο σας προϊόν Stanley Fat Max και για να ενημερώνεστε για τα νέα προϊόντα και τις ειδικές προσφορές.

België/Belgique	Stanley Fat Max E. Walschaertstraat 14-16 2800 Mechelen Belgium	De. Tel. +32 70 220 065 Fr. Tel. +32 70 220 066 Fax +32 15 473 799 www.stanleytools.eu Enduser.be@SBDinc.com
Danmark	Stanley Fat Max Farveland 1B 2600 Glostrup	Tel. 70 20 15 10 Fax 70 22 49 10 www.stanleyworks.dk
Deutschland	Stanley Fat Max Richard Klinger Str. 11, D - 65510 Idstein	Tel. 06126 21-1 Fax 06126 21-2770
Ελλάδα	Stanley Fat Max. Στράβωνος 7 & Λεωφ. Βουλιαγμένης 159 Γλυφάδα 166 74 - Αθήνα	Τηλ. +30 210 8981-616 Φαξ +30 210 8983-285 www.stanleyworks.gr
España	Stanley Fat Max. Parc de Negocis "Mas Blau" Edificio Muntadas, c/Bergadá, 1, Of. A6 08820 El Prat de Llobregat (Barcelona)	Tel. 934 797 400 Fax 934 797 419 respuesta.postventa@sbdinc.com www.stanleyworks.es
France	Stanley Fat Max 5 allée des Hêtres B.P. 30084 69579 Limonest Cédex	Tel. 04 72 20 39 20 Fax 04 72 20 39 00 www.stanleyouillage.fr
Helvetia	Stanley Fat Max In der Luberzen 40 8902 Urdorf	Tel. 01 730 67 47 Fax 01 730 70 67 www.stanleyworks.de
Italia	Stanley Fat Max EnergyPark-Building 03 sud, Via Monza 7/A 20871 Vimercate (MB)	Tel. 039-9590200 Fax 039-9590313 www.stanley.it
Nederland	Stanley Fat Max Joulehof 12, 4600 RG Bergen op Zoom	Tel. +31 164 283 065 Fax +31 164 283 200 Enduser.NL@SBDinc.com
Norge	Stanley Fat Max Postboks 4613, Nydalen 0405 Oslo	Tlf. 45 25 13 00 Fax 45 25 08 00
Österreich	Stanley Fat Max Oberlaaerstraße 248, A-1230 Wien	Tel. 01 66116-0 Fax 01 66116-614 www.stanleyworks.de
Portugal	Stanley Fat Max Centro de Escritórios de Sintra Avenida Almirante Gago Coutinho, 132/134, Edifício 142710-418 Sintra 2710-418 Lisboa	Tel. 214667500 Fax 214667575 resposta.posvenda@sbdinc.com
Suomi	Stanley Fat Max Tekniikkatie 12, 02150 Espoo	Puh. 010 400 430 Faksi 0800 411 340 www.stanleyworks.fi
Sverige	Stanley Fat Max Box 94, 431 22 Mölndal	Tel. 031-68 61 00 Fax 031-68 60 08
Türkiye	Stanley Fat Max KALE Hırdavat ve Makina A.Ş. Defterdar Mah. Savaklar Cad. No:15 Edirnekapı / Eyüp / İSTANBUL 34050	Puh. 0212 533 52 55 Faks 0212 533 10 05 www.stanleyworks.fi
United Kingdom	Stanley Fat Max 210 Bath Road Slough, Berkshire SL1 3YD	Tel. +44 (0)1753 511234 Fax +44 (0)1753 551155 www.stanleytools.co.uk
Middle East & Africa	Stanley Fat Max P.O.Box - 17164 Jebel Ali (South Zone), Dubai, UAE	Tel. +971 4 8127400 Fax +971 4 8127036 www.stanleyworks.ae