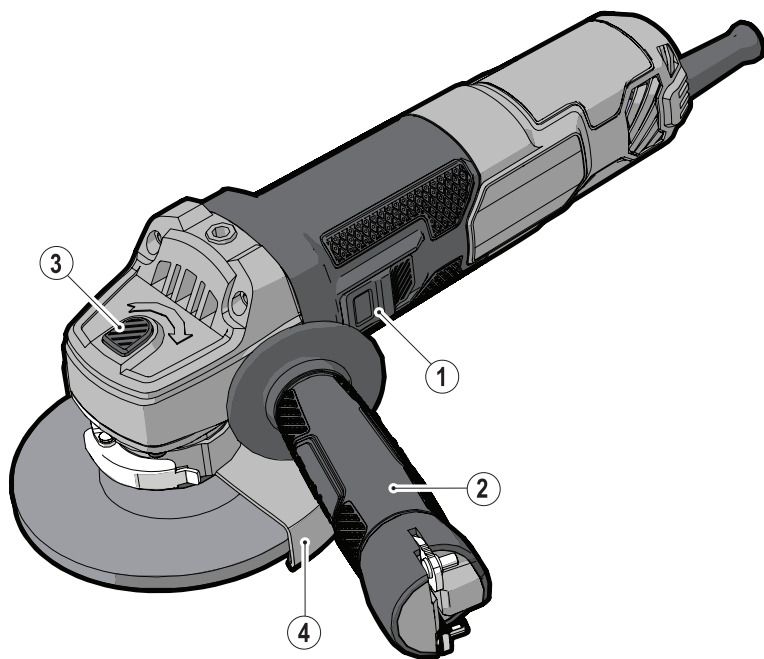


STANLEY®

FatMax®



www.stanley.eu

FME811
FME812

EN

DE

FR

IT

NL

ES

PT

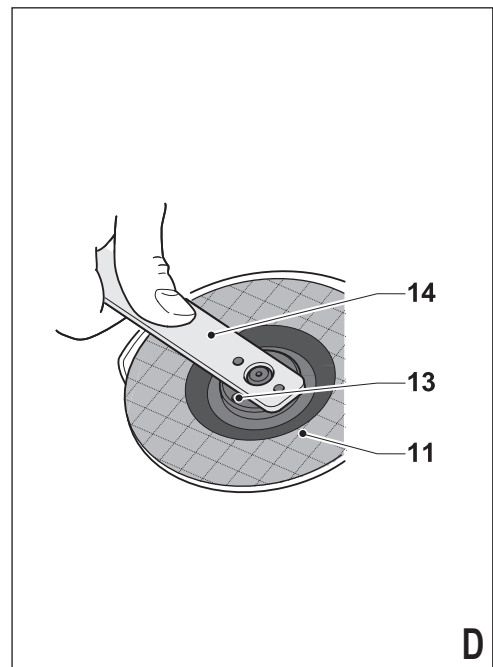
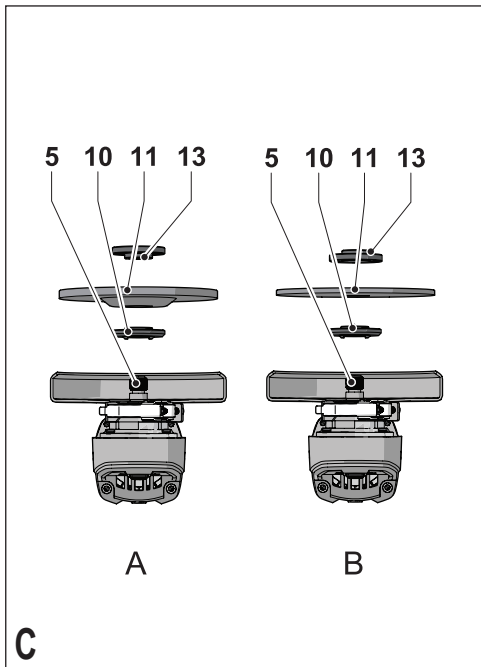
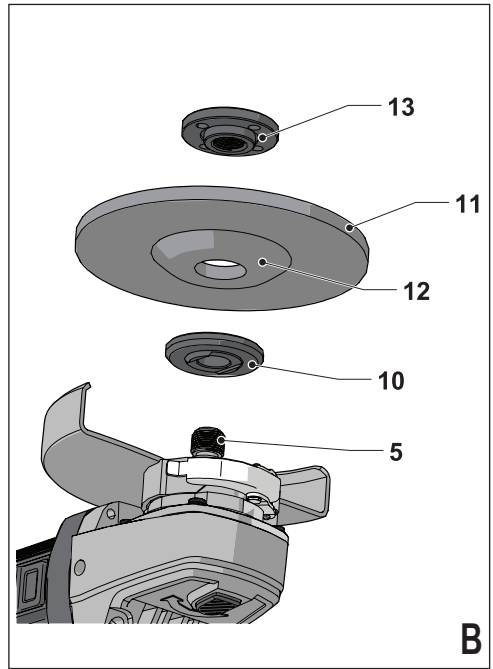
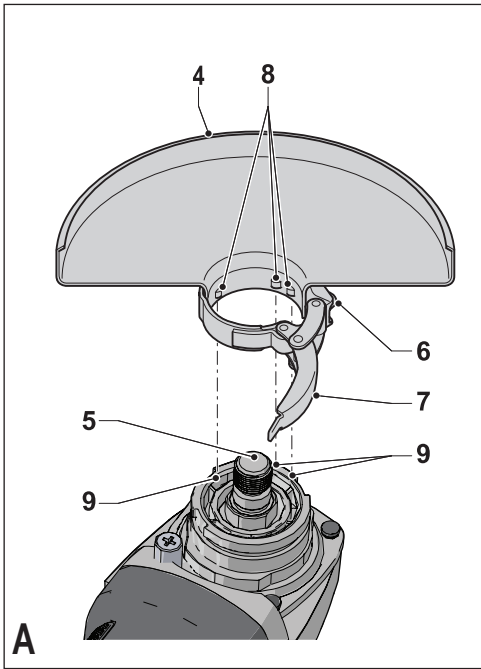
SV

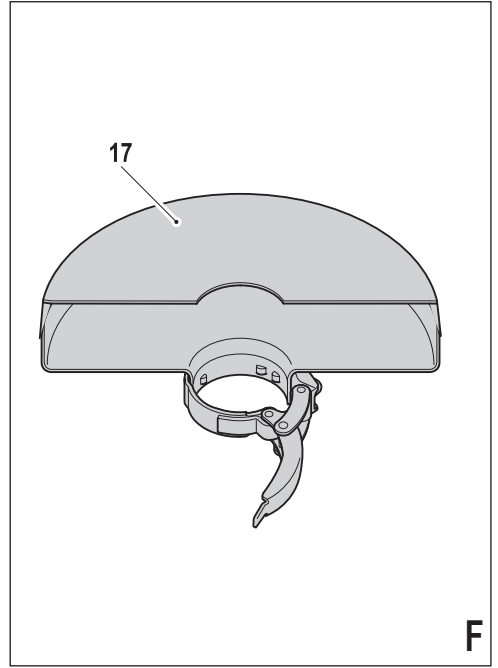
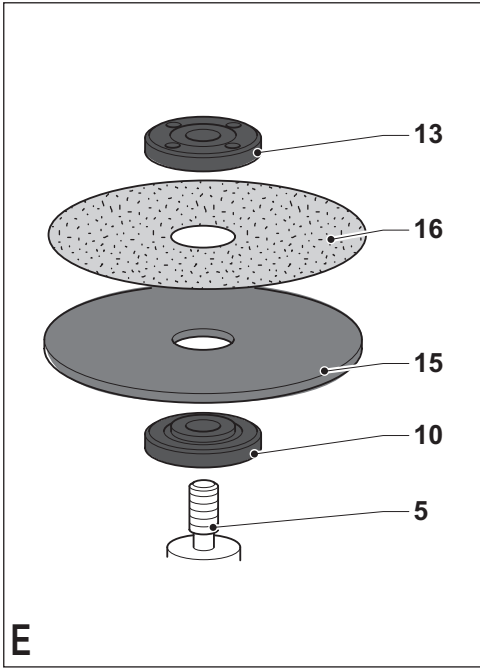
NO

DK

FI

EL





Intended use

Your Stanley Fat Max angle grinder has been designed for grinding and cutting metal and masonry using the appropriate type of cutting or grinding disc. When fitted with the appropriate guard, this tool is intended for professional and private, non professional users.

Safety instructions

General power tool safety warnings



Warning! Read all safety warnings and all instructions. Failure to follow the warnings and instructions listed below may result in electric shock, fire and/or serious injury.

Save all warnings and instructions for future reference.

The term "power tool" in all of the warnings listed below refers to your mains operated (corded) power tool or battery operated (cordless) power tool.

1. **Work area safety**
 - a. **Keep work area clean and well lit.** Cluttered or dark areas invite accidents.
 - b. **Do not operate power tools in explosive atmospheres, such as in the presence of flammable liquids, gases or dust.** Power tools create sparks which may ignite the dust or fumes.
 - c. **Keep children and bystanders away while operating a power tool.** Distractions can cause you to lose control.
2. **Electrical safety**
 - a. **Power tool plugs must match the outlet. Never modify the plug in any way. Do not use any adapter plugs with earthed (grounded) power tools.** Unmodified plugs and matching outlets will reduce risk of electric shock.
 - b. **Avoid body contact with earthed or grounded surfaces such as pipes, radiators, ranges and refrigerators.** There is an increased risk of electric shock if your body is earthed or grounded.
 - c. **Do not expose power tools to rain or wet conditions.** Water entering a power tool will increase the risk of electric shock.
 - d. **Do not abuse the cord. Never use the cord for carrying, pulling or unplugging the power tool. Keep cord away from heat, oil, sharp edges or moving parts.** Damaged or entangled cords increase the risk of electric shock.
 - e. **When operating a power tool outdoors, use an extension cord suitable for outdoor use.** Use of a cord suitable for outdoor use reduces the risk of electric shock.
 - f. **If operating a power tool in a damp location is unavoidable, use a residual current device (RCD) protected supply.** Use of an RCD reduces the risk of electric shock.
3. **Personal safety**
 - a. **Stay alert, watch what you are doing and use common sense when operating a power tool. Do not use a power tool while you are tired or under the influence of drugs, alcohol or medication.** A moment of inattention while operating power tools may result in serious personal injury.
 - b. **Use personal protective equipment. Always wear eye protection.** Protective equipment such as dust mask, non-skid safety shoes, hard hat, or hearing protection used for appropriate conditions will reduce personal injuries.
 - c. **Prevent unintentional starting. Ensure the switch is in the off-position before connecting to power source and/or battery pack, picking up or carrying the tool.** Carrying power tools with your finger on the switch or energising power tools that have the switch on invites accidents.
 - d. **Remove any adjusting key or wrench before turning the power tool on.** A wrench or a key left attached to a rotating part of the power tool may result in personal injury.
 - e. **Do not overreach. Keep proper footing and balance at all times.** This enables better control of the power tool in unexpected situations.
 - f. **Dress properly. Do not wear loose clothing or jewellery. Keep your hair, clothing and gloves away from moving parts.** Loose clothes, jewellery or long hair can be caught in moving parts.
 - g. **If devices are provided for the connection of dust extraction and collection facilities, ensure these are connected and properly used.** Use of dust collection can reduce dust-related hazards.
4. **Power tool use and care**
 - a. **Do not force the power tool. Use the correct power tool for your application.** The correct power tool will do the job better and safer at the rate for which it was designed.
 - b. **Do not use the power tool if the switch does not turn it on and off.** Any power tool that cannot be controlled with the switch is dangerous and must be repaired.
 - c. **Disconnect the plug from the power source and/or the battery pack from the power tool before making any adjustments, changing accessories, or storing power tools.** Such preventive safety measures reduce the risk of starting the power tool accidentally.

- d. **Store idle power tools out of the reach of children and do not allow persons unfamiliar with the power tool or these instructions to operate the power tool.** Power tools are dangerous in the hands of untrained users.
 - e. **Maintain power tools. Check for misalignment or binding of moving parts, breakage of parts and any other condition that may affect the power tools operation. If damaged, have the power tool repaired before use.** Many accidents are caused by poorly maintained power tools.
 - f. **Keep cutting tools sharp and clean.** Properly maintained cutting tools with sharp cutting edges are less likely to bind and are easier to control.
 - g. **Use the power tool, accessories and tool bits etc. in accordance with these instructions, taking into account the working conditions and the work to be performed.** Use of the power tool for operations different from those intended could result in a hazardous situation.
5. **Service**
- a. **Have your power tool serviced by a qualified repair person using only identical replacement parts.** This will ensure that the safety of the power tool is maintained.

Additional power tool safety warnings



Warning! Additional safety warnings for grinding, sanding, wire brushing, polishing or abrasive cutting-off operations

- ◆ **This power tool is intended to function as a grinder, sander, wire brush, polisher or cut-off tool. Read all safety warnings, instructions, illustrations and specifications provided with this power tool.** Failure to follow all instructions listed below may result in electric shock, fire and/or serious injury.
- ◆ **Operations for which the power tool was not designed may create a hazard and cause personal injury.**
- ◆ **Do not use accessories which are not specifically designed and recommended by the tool manufacturer.** Just because the accessory can be attached to your power tool, it does not assure safe operation.
- ◆ **The rated speed of the accessory must be at least equal to the maximum speed marked on the power tool.** Accessories running faster than their rated speed can break and fly apart.
- ◆ **The outside diameter and the thickness of your accessory must be within the capacity rating of your power tool.** Incorrectly sized accessories cannot be adequately guarded or controlled.
- ◆ **The arbour size of wheels, flanges, backing pads or any other accessory must properly fit the spindle of the power tool.** Accessories with arbour holes that do not match the mounting hardware of the power tool will run out of balance, vibrate excessively and may cause loss of control.
- ◆ **Do not use a damaged accessory. Before each use inspect the accessory such as abrasive wheels for chips and cracks, backing pad for cracks, tear or excess wear, wire brush for loose or cracked wires. If power tool or accessory is dropped, inspect for damage or install an undamaged accessory. After inspecting and installing an accessory and run the power tool at maximum no-load speed for one minute.** Damaged accessories will normally break apart during this test time.
- ◆ **Wear personal protective equipment. Depending on application, use face shield, safety goggles or safety glasses. As appropriate, wear dust mask, hearing protectors, gloves and workshop apron capable of stopping small abrasive or workpiece fragments.** The eye protection must be capable of stopping flying debris generated by various operations. The dust mask or respirator must be capable of filtering particles generated by your operation. Prolonged exposure to high intensity noise may cause hearing loss.
- ◆ **Keep bystanders a safe distance away from work area. Anyone entering the work area must wear personal protective equipment.** Fragments of workpiece or of a broken accessory may fly away and cause injury beyond immediate area of operation.
- ◆ **Hold power tool by insulated gripping surfaces only, when performing an operation where the cutting accessory may contact hidden wiring or its own cord.** Cutting accessory contacting a "live" wire may make exposed metal parts of the power tool "live" and shock the operator.
- ◆ **Position the cord clear of the spinning accessory.** If you lose control, the cord may be cut or snagged and your hand or arm may be pulled into the spinning accessory.
- ◆ **Never lay the power tool down until the accessory has come to a complete stop.** The spinning accessory may grab the surface and pull the power tool out of your control.
- ◆ **Do not run the power tool while carrying it at your side.** Accidental contact with the spinning accessory could snag your clothing, pulling the accessory into your body.
- ◆ **Regularly clean the power tool's air vents.** The motor's fan will draw the dust inside the housing and excessive accumulation of powdered metal may cause electrical hazards.

- ◆ **Do not operate the power tool near flammable materials.** Sparks could ignite these materials.
- ◆ **Do not use accessories that require liquid coolants.** Using water or other liquid coolants may result in electrocution or shock.

Note: The above warning does not apply for power tools specifically designed for use with a liquid system.

Kickback and related warnings

Kickback is a sudden reaction to a pinched or snagged rotating wheel, backing pad, brush or any other accessory. Pinching or snagging causes rapid stalling of the rotating accessory which in turn causes the uncontrolled power tool to be forced in the direction opposite of the accessory's rotation at the point of the binding.

For example, if an abrasive wheel is snagged or pinched by the workpiece, the edge of the wheel that is entering into the pinch point can dig into the surface of the material causing the wheel to climb out or kick out. The wheel may either jump toward or away from the operator, depending on direction of the wheel's movement at the point of pinching. Abrasive wheels may also break under these conditions.

Kickback is the result of power tool misuse and/or incorrect operating procedures or conditions and can be avoided by taking proper precautions as given below.

- ◆ **Maintain a firm grip on the power tool and position your body and arm to allow you to resist kickback forces. Always use auxiliary handle, if provided, for maximum control over kickback or torque reaction during start-up.** The operator can control torque reactions or kickback forces, if proper precautions are taken.
- ◆ **Never place your hand near the rotating accessory.** Accessory may kickback over your hand.
- ◆ **Do not position your body in the area where power tool will move if kickback occurs.** Kickback will propel the tool in direction opposite to the wheel's movement at the point of snagging.
- ◆ **Use special care when working corners, sharp edges etc. Avoid bouncing and snagging the accessory.** Corners, sharp edges or bouncing have a tendency to snag the rotating accessory and cause loss of control or kickback.
- ◆ **Do not attach a saw chain woodcarving blade or toothed saw blade.** Such blades create frequent kickback and loss of control.

Safety warnings specific for grinding and abrasive cutting-off operations

- ◆ **Use only wheel types that are recommended for your power tool and the specific guard designed for the selected wheel.** Wheels for which the power tool was not designed cannot be adequately guarded and are unsafe.
- ◆ **The guard must be securely attached to the power tool and positioned for maximum safety, so the least amount of wheel is exposed towards the operator.** The guard helps to protect operator from broken wheel fragments and accidental contact with wheel.
- ◆ **Wheels must be used only for recommended applications. For example: do not grind with the side of cut-off wheel.** Abrasive cut-off wheels are intended for peripheral grinding, side forces applied to these wheels may cause them to shatter.
- ◆ **Always use undamaged wheel flanges that are of correct size and shape for your selected wheel.** Proper wheel flanges support the wheel thus reducing the possibility of wheel breakage. Flanges for cut-off wheels may be different from grinding wheel flanges.
- ◆ **Do not use worn down wheels from larger power tools.** Wheel intended for larger power tool is not suitable for the higher speed of a smaller tool and may burst.

Additional safety warnings specific for abrasive cutting-off operations

- ◆ **Do not "jam" the cut-off wheel or apply excessive pressure. Do not attempt to make an excessive depth of cut.** Over stressing the wheel increases the loading and susceptibility to twisting or binding of the wheel in the cut and the possibility of kickback or wheel breakage.
- ◆ **Do not position your body in line with and behind the rotating wheel.** When the wheel, at the point of operation, is moving away from your body, the possible kickback may propel the spinning wheel and the power tool directly at you.
- ◆ **When wheel is binding or when interrupting a cut for any reason, switch off the power tool and hold the power tool motionless until the wheel comes to a complete stop. Never attempt to remove the cut-off wheel from the cut while the wheel is in motion otherwise kickback may occur.** Investigate and take corrective action to eliminate the cause of wheel binding.
- ◆ **Do not restart the cutting operation in the workpiece. Let the wheel reach full speed and carefully re-enter the cut.** The wheel may bind, walk up or kickback if the power tool is restarted in the workpiece.

- ◆ **Support panels or any oversized workpiece to minimize the risk of wheel pinching and kickback.** Large workpieces tend to sag under their own weight. Supports must be placed under the workpiece near the line of cut and near the edge of the workpiece on both sides of the wheel.
- ◆ **Use extra caution when making a "pocket cut" into existing walls or other blind areas.** The protruding wheel may cut gas or water pipes, electrical wiring or objects that can cause kickback.

Safety warnings specific for sanding operations

- ◆ **Do not use excessively oversized sanding disc paper. Follow manufacturers recommendations, when selecting sanding paper.** Larger sanding paper extending beyond the sanding pad presents a laceration hazard and may cause snagging, tearing of the disc or kickback.

Safety warnings specific for polishing operations

- ◆ **Do not allow any loose portion of the polishing bonnet or its attachment strings to spin freely. Tuck away or trim any loose attachment strings.** Loose and spinning attachment strings can entangle your fingers or snag on the workpiece.

Safety warnings specific for wire brushing operations

- ◆ **Be aware that wire bristles are thrown by the brush even during ordinary operation. Do not overstress the wires by applying excessive load to the brush.** The wire bristles can easily penetrate light clothing and/or skin.
- ◆ **If the use of a guard is recommended for wire brushing, do not allow any interference of the wire wheel or brush with the guard.** Wire wheel or brush may expand in diameter due to work load and centrifugal forces.

Safety of others

- ◆ This appliance is not intended for use by persons (including children) with reduced physical, sensory or mental capabilities, or lack of experience and knowledge, unless they have been given supervision or instruction concerning use of the appliance by a person responsible for their safety.
- ◆ Children should be supervised to ensure that they do not play with the appliance.

Residual risks.

Additional residual risks may arise when using the tool which may not be included in the enclosed safety warnings. These risks can arise from misuse, prolonged use etc. Even with the application of the relevant safety regulations and the implementation of safety devices, certain residual risks can not be avoided. These include:

- ◆ **Injuries caused by touching any rotating/moving parts.**
- ◆ **Injuries caused when changing any parts, blades or accessories.**
- ◆ **Injuries caused by prolonged use of a tool. When using any tool for prolonged periods ensure you take regular breaks.**
- ◆ **Impairment of hearing.**
- ◆ **Health hazards caused by breathing dust developed when using your tool (example:- working with wood, especially oak, beech and MDF.)**

Vibration

The declared vibration emission values stated in the technical data and the declaration of conformity have been measured in accordance with a standard test method provided by EN 60745 and may be used for comparing one tool with another. The declared vibration emission value may also be used in a preliminary assessment of exposure.

Warning! The vibration emission value during actual use of the power tool can differ from the declared value depending on the ways in which the tool is used. The vibration level may increase above the level stated.

When assessing vibration exposure to determine safety measures required by 2002/44/EC to protect persons regularly using power tools in employment, an estimation of vibration exposure should consider, the actual conditions of use and the way the tool is used, including taking account of all parts of the operating cycle such as the times when the tool is switched off and when it is running idle in addition to the trigger time.

Labels on tool

The following pictograms are shown on the tool:



Warning! To reduce the risk of injury, the user must read the instruction manual.



Wear safety glasses or goggles when operating this tool.



Wear ear protection when operating this tool.

Electrical safety



This tool is double insulated; therefore no earth wire is required. Always check that the power supply corresponds to the voltage on the rating plate.

- ◆ If the supply cord is damaged, it must be replaced by the manufacturer or an authorised Stanley Fat Max Service Centre in order to avoid a hazard.

Features

This tool includes some or all of the following features.

1. On/off switch
2. Side handle
3. Spindle lock
4. Grinding guard

Assembly

Warning! Before assembly, make sure that the tool is switched off and unplugged.

Fitting and removing the guard (fig. A)

The tool is supplied with a guard intended for grinding purposes and cutting purposes. Ensure you use the correct guard specific for the intended operation. If the unit is intended to perform cutting off operations, a guard (17, Fig F) specific for this operation must be fitted .

Fitting

- ◆ Place the tool on a table, with the spindle (5) facing up.
- ◆ Release the clamping lock (7) and hold the guard (4) over the tool as shown.
- ◆ Align the lugs (8) with the notches (9).
- ◆ Press the guard down and rotate it counterclockwise to the required position.
- ◆ Fasten the clamping lock (7) to secure the guard to the tool.
- ◆ If required, tighten the screw (6) to increase the clamping force.

Removing

- ◆ Release the clamping lock (7).
- ◆ Rotate the guard clockwise to align the lugs (8) with the notches (9).
- ◆ Remove the guard from the tool.

Warning! Never use the tool without the guard.

Fitting the side handle

- ◆ Screw the side handle (2) into one of the mounting holes in the tool.

Warning! Always use the side handle.

Fitting and removing grinding or cutting discs (fig. B - D)

Always use the correct type of disc for your application.

Always use discs with the correct diameter and bore size (see technical data).

Fitting

- ◆ Fit the guard as described above.
- ◆ Place the inner flange (10) onto the spindle (5) as shown (fig. B). Make sure that the flange is correctly located on the flat sides of the spindle.

- ◆ Place the disc (11) onto the spindle (5) as shown (fig. B). If the disc has a raised centre (12), make sure that the raised centre faces the inner flange.
- ◆ Make sure that the disc locates correctly on the inner flange.
- ◆ Place the outer flange (13) onto the spindle. When fitting a grinding disc, the raised centre on the outer flange must face towards the disc (A in fig. C). When fitting a cutting disc, the raised centre on the outer flange must face away from the disc (B in fig. C).
- ◆ Keep the spindle lock (3) depressed and tighten the outer flange using the two-pin spanner (14) (fig. D).

Removing

- ◆ Keep the spindle lock (3) depressed and loosen the outer flange (13) using the two-pin spanner (14) (fig. D).
- ◆ Remove the outer flange (13) and the disc (11).

Fitting and removing sanding discs (fig. D & E)

For sanding, a backing pad is required. The backing pad is available from your Stanley Fat Max dealer as an accessory.

Fitting

- ◆ Place the inner flange (10) onto the spindle (5) as shown (fig. E). Make sure that the flange is correctly located on the flat sides of the spindle.
- ◆ Place the backing pad (15) onto the spindle.
- ◆ Place the sanding disc (16) onto the backing pad.
- ◆ Place the outer flange (13) onto the spindle with the raised centre facing away from the disc.
- ◆ Keep the spindle lock (3) depressed and tighten the outer flange using the two-pin spanner (14) (fig. D). Make sure that the outer flange is fitted correctly and that the disc is clamped tightly.

Removing

- ◆ Keep the spindle lock (3) depressed and loosen the outer flange (13) using the two-pin spanner (14) (fig. D).
- ◆ Remove the outer flange (13), the sanding disc (16) and the backing pad (15).

Use

Warning! Let the tool work at its own pace. Do not overload.

- ◆ Carefully guide the cable in order to avoid accidentally cutting it.
- ◆ Be prepared for a stream of sparks when the grinding or cutting disc touches the workpiece.
- ◆ Always position the tool in such a way that the guard provides optimum protection from the grinding or cutting disc.

Switching on and off

- ◆ To switch on, slide the on/off switch (1) forward then press it in. Note that the tool will continue running when you release the switch.
- ◆ To switch off, press the rear part of the on/off switch.

Warning! Do not switch the tool off while under load.

Hints for optimum use

- ◆ Firmly hold the tool with one hand around the side handle and the other hand around the main handle.
- ◆ When grinding, always maintain an angle of approx. 15° between the disc and the workpiece surface.

Maintenance

Your Stanley Fat Max corded/cordless appliance/tool has been designed to operate over a long period of time with a minimum of maintenance. Continuous satisfactory operation depends upon proper tool care and regular cleaning.

Warning! Before performing any maintenance on corded/cordless power tools:

- ◆ Switch off and unplug the appliance/tool.
- ◆ Or switch off and remove the battery from the appliance/tool if the appliance/tool has a separate battery pack.
- ◆ Or run the battery down completely if it is integral and then switch off.
- ◆ Unplug the charger before cleaning it. Your charger does not require any maintenance apart from regular cleaning.
- ◆ Regularly clean the ventilation slots in your appliance/tool/charger using a soft brush or dry cloth.
- ◆ Regularly clean the motor housing using a damp cloth. Do not use any abrasive or solvent-based cleaner.
- ◆ Regularly open the chuck and tap it to remove any dust from the interior (when fitted).

Mains plug replacement (U.K. & Ireland only)

If a new mains plug needs to be fitted:

- ◆ Safely dispose of the old plug.
- ◆ Connect the brown lead to the live terminal in the new plug.
- ◆ Connect the blue lead to the neutral terminal.

Warning! No connection is to be made to the earth terminal. Follow the fitting instructions supplied with good quality plugs. Recommended fuse: 13 A.

Protecting the environment



Separate collection. This product must not be disposed of with normal household waste.

Should you find one day that your Stanley Fat Max product needs replacement, or if it is of no further use to you, do not dispose of it with household waste. Make this product available for separate collection.



Separate collection of used products and packaging allows materials to be recycled and used again. Re-use of recycled materials helps prevent environmental pollution and reduces the demand for raw materials.

Local regulations may provide for separate collection of electrical products from the household, at municipal waste sites or by the retailer when you purchase a new product.

Stanley Europe provides a facility for the collection and recycling of Stanley Fat Max products once they have reached the end of their working life. To take advantage of this service please return your product to any authorised repair agent who will collect them on our behalf.

You can check the location of your nearest authorised repair agent by contacting your local Stanley Europe office at the address indicated in this manual. Alternatively, a list of authorised Stanley Europe repair agents and full details of our after-sales service and contacts are available on the Internet at: www.2helpU.com

Technical data

		FME811 (Type 1)	FME812 (Type 1)
Input voltage	V _{ac}	230	230
Power input	W	850	850
No-load speed	min ⁻¹	12,000	12,000
Disc diameter	mm	115	125
Disc bore	mm	22	22
Max disc thickness			
grinding discs	mm	6	6
cutting discs	mm	3.5	3.5
Spindle size		M14	M14
Weight	kg	2.1	2.1

L_{pA} (sound pressure) 94.5 dB(A), Uncertainty (K) 3 dB(A)
L_{WA} (sound power) 105.5 dB(A), Uncertainty (K) 3 dB(A)
Vibration total values (triax vector sum) according to EN 60745:
Surface grinding ($a_{h,SG}$) 9.9 m/s ² , uncertainty (K) 1.5 m/s ²
Cutting-off (a_p) 9.1 m/s ² , uncertainty (K) 1.5 m/s ²
Polishing ($a_{h,P}$) 5.0 m/s ² , uncertainty (K) 1.5 m/s ²
Disc sanding ($a_{h,DS}$) 3.3 m/s ² , uncertainty (K) 1.5 m/s ²
Wire brushing (a_b) 9.2 m/s ² , uncertainty (K) 1.5 m/s ²

EC declaration of conformity

MACHINERY DIRECTIVE



FME811 / FME812

Stanley Europe declares that these products described under "technical data" are in compliance with:
2006/42/EC, EN 60745-1, EN 60745-2-3

These products also comply with Directive 2004/108/EC and 2011/65/EU. For more information, please contact Stanley Europe at the following address or refer to the back of the manual.

The undersigned is responsible for compilation of the technical file and makes this declaration on behalf of Stanley Europe.

Kevin Hewitt
Vice-President Global Engineering
Stanley Europe, Egide Walschaertsstraat14-18,
2800 Mechelen, Belgium
19/04/2013

Guarantee

StanleyEurope is confident of the quality of its products and offers an outstanding guarantee for professional users of the product. This guarantee statement is in addition to and in no way prejudices your contractual rights as a private non-professional user. The guarantee is valid within the territories of the Member States of the European Union and the European Free Trade Area.

ONE-YEAR FULL WARRANTY

If your Stanley Fat Max product becomes defective due to faulty materials or workmanship within 12 months from the date of purchase, Stanley Europe guarantees to replace all defective parts free of charge or – at our discretion – replace the unit free of charge provided that:

- ◆ The product has not been misused and has been used in accordance with the instruction manual.
- ◆ The product has been subject to fair wear and tear;
- ◆ Repairs have not been attempted by unauthorised persons;
- ◆ Proof of purchase is produced.
- ◆ The Stanley Fat Max product is returned complete with all original components

If you wish to make a claim, contact your seller or check the location of your nearest authorised Stanley Fat Max repair agent in the Stanley Fat Max catalogue or contact your local Stanley office at the address indicated in this manual. A list of authorised Stanley Fat Max repair agents and full details of our after sales service is available on the internet at: www.stanley.eu/3

Bestimmungsgemäße Verwendung

Ihr Stanley Fat Max Winkelschleifer ist für Schleif- und Schneidarbeiten an Metall und Mauerwerk ausgelegt, sofern geeignete Schneid- oder Schleifscheiben verwendet werden. Wenn mit dem entsprechenden Schutz versehen, wird dieses Werkzeug ist für den professionellen sowie den privaten/ nicht-professionellen Anwender gedacht.

Sicherheitshinweise

Allgemeine Sicherheitswarnungen für das Gerät



Achtung! Lesen Sie sämtliche Sicherheitswarnungen und Anweisungen. Die Nichteinhaltung der nachstehend aufgeführten Warnungen und Anweisungen kann einen elektrischen Schlag, Brand und/oder schwere Verletzungen verursachen.

Bewahren Sie alle Sicherheitswarnungen und Anweisungen gut auf. Der nachfolgend verwendete Begriff "Gerät" bezieht sich auf netzbetriebene Geräte (mit Netzkabel) und auf akkubetriebene Geräte (ohne Netzkabel).

1. Sicherheit im Arbeitsbereich

- a. **Halten Sie Ihren Arbeitsbereich sauber, und sorgen Sie für ausreichende Beleuchtung.** Unordnung oder dunkle Arbeitsbereiche können zu Unfällen führen.
- b. **Verwenden Sie die Geräte nicht in Umgebungen, in denen Explosionsgefahr z. B. aufgrund von brennbaren Flüssigkeiten, Gasen oder Staub besteht.** Geräte erzeugen Funken, die den Staub oder die Dämpfe entzünden können.
- c. **Halten Sie Kinder und andere Personen während der Benutzung eines Geräts fern.** Bei Ablenkung können Sie die Kontrolle verlieren.

2. Elektrische Sicherheit

- a. **Der Netzstecker des Geräts muss in die Steckdose passen. Der Stecker darf in keiner Weise verändert werden. Verwenden Sie für geschützte Geräte keine Adapterstecker.** Unveränderte Stecker und passende Steckdosen verringern das Risiko eines elektrischen Schlags.
- b. **Vermeiden Sie Körperkontakt mit geerdeten Oberflächen von Rohren, Heizungen, Herden und Kühlschränken.** Es besteht ein erhöhtes Risiko eines elektrischen Schlags, wenn Ihr Körper geerdet ist.
- c. **Halten Sie Geräte von Regen und Feuchtigkeit fern.** Das Eindringen von Wasser in ein Gerät erhöht das Risiko eines elektrischen Schlags.

- d. **Verwenden Sie das Kabel ordnungsgemäß. Verwenden Sie es niemals zum Tragen. Trennen Sie das Gerät nicht durch Ziehen am Kabel vom Netz. Halten Sie das Kabel fern von Hitze, Öl, scharfen Kanten oder sich bewegenden Teilen.** Beschädigte oder verwickelte Kabel erhöhen das Risiko eines elektrischen Schlags.
- e. **Verwenden Sie nur für den Außenbereich zugelassene Verlängerungskabel, wenn Sie mit dem Gerät im Freien arbeiten.** Die Verwendung eines für den Außenbereich geeigneten Verlängerungskabels verringert das Risiko eines elektrischen Schlags.
- f. **Wenn das Gerät in einer feuchten Umgebung verwendet werden muss, schließen Sie es unbedingt an eine Steckdose mit Fehlerstromschutzschalter (RCD).** Die Verwendung eines Fehlerstromschutzschalters verringert das Risiko eines elektrischen Schlags.

3. Sicherheit von Personen

- a. **Verwenden Sie das Gerät aufmerksam und vernünftig. Benutzen Sie das Gerät nicht, wenn Sie müde sind oder unter dem Einfluss von Drogen, Alkohol oder Medikamenten stehen.** Ein Moment der Unachtsamkeit beim Gebrauch von Geräten kann zu ernsthaften Verletzungen führen.
- b. **Verwenden Sie eine geeignete Schutzausrüstung. Tragen Sie stets eine Schutzbrille.** Schutzausrüstung wie Staubmaske, rutschfeste Sicherheitsschuhe, Schutzhelm oder Gehörschutz, je nach Art und Einsatz des Geräts, verringert das Risiko von Verletzungen.
- c. **Vermeiden Sie eine unbeabsichtigte Inbetriebnahme. Vergewissern Sie sich, dass das Gerät ausgeschaltet ist, bevor Sie es an eine Steckdose oder einen Akku anschließen, es hochheben oder tragen.** Durch das Tragen des Geräts mit dem Finger am Schalter oder durch das Anschließen eingeschalteter Geräte werden Unfälle provoziert.
- d. **Entfernen Sie Einstell- oder Schraubenschlüssel, bevor Sie das Gerät einschalten.** Ein Schlüssel in einem sich drehenden Teil kann zu Verletzungen führen.
- e. **Beugen Sie sich nicht zu weit nach vorne über. Achten Sie auf einen sicheren Stand, um in jeder Arbeitsposition das Gleichgewicht zu halten.** Dadurch können Sie das Gerät in unerwarteten Situationen besser unter Kontrolle halten.
- f. **Tragen Sie geeignete Kleidung. Tragen Sie keine weite Kleidung oder Schmuck. Halten Sie Haare, Kleidung und Handschuhe fern von sich bewegenden Teilen.** Lockere Kleidung, Schmuck oder lange Haare können von sich bewegenden Teilen erfasst werden.

- g. Falls Staubabsaug- und -fangvorrichtungen vorhanden sind, vergewissern Sie sich, dass diese angeschlossen sind und richtig verwendet werden. Das Verwenden einer Staubauffangvorrichtung verringert Gefährdungen durch Staub.

4. Gebrauch und Pflege von Geräten

- a. **Überlasten Sie das Gerät nicht. Verwenden Sie das für Ihre Arbeit passende Gerät.** Durch das Arbeiten in dem für das Gerät angegebenen Leistungsbereich erzielen Sie nicht nur optimale Ergebnisse, Sie erhöhen auch die Sicherheit.
- b. **Verwenden Sie das Gerät nicht, wenn der Ein-/Ausschalter nicht funktioniert.** Ein Gerät, das sich nicht mehr ein- oder ausschalten lässt, ist gefährlich und muss repariert werden.
- c. **Ziehen Sie den Stecker aus der Steckdose, und/oder trennen Sie das Gerät vom Akku, bevor Sie Einstellungen vornehmen, Zubehörteile wechseln oder das Gerät lagern.** Diese Vorsichtsmaßnahme verhindert den unbeabsichtigten Start des Geräts.
- d. **Bewahren Sie unbenutzte Geräte außerhalb der Reichweite von Kindern auf. Lassen Sie Geräte nicht von Personen benutzen, die damit nicht vertraut sind oder diese Anweisungen nicht gelesen haben.** Geräte sind gefährlich, wenn sie von unerfahrenen Personen benutzt werden.
- e. **Halten Sie Geräte in einem einwandfreien Zustand. Kontrollieren Sie, ob bewegliche Teile falsch ausgerichtet sind oder klemmen und ob Teile gebrochen oder so beschädigt sind, dass die Funktion des Geräts beeinträchtigt ist. Lassen Sie beschädigte Geräte vor dem Gebrauch reparieren.** Viele Unfälle haben ihre Ursache in schlecht gewarteten Geräten.
- f. **Halten Sie Schneidwerkzeuge scharf und sauber.** Sorgfältig gepflegte Schneidwerkzeuge mit scharfen Schneidkanten verklemmen sich seltener und sind leichter zu führen.
- g. **Verwenden Sie Gerät, Zubehör, Einsatz-Bits usw. entsprechend diesen Anweisungen, und berücksichtigen Sie dabei die Arbeitsbedingungen und die auszuführende Arbeit.** Der Gebrauch von Geräten für andere als die vorgesehenen Anwendungen kann zu gefährlichen Situationen führen.
- #### 5. Service
- a. **Lassen Sie das Gerät nur von qualifiziertem Fachpersonal und nur mit Originalersatzteilen reparieren.** So wird gewährleistet, dass die Sicherheit des Geräts erhalten bleibt.

Zusätzliche Sicherheitswarnungen für das Gerät



Achtung! Zusätzliche Sicherheitshinweise für das Grob- und Feinschleifen, Abbürsten, Polieren oder Trennen

- ◆ **Dieses Gerät kann als Schleif-, Abbürst-, Polier- oder Trenngerät verwendet werden. Lesen Sie sämtliche Sicherheitshinweise, Anweisungen und Spezifikationen, und machen Sie sich mit allen Abbildungen bzgl. dieses Geräts vertraut.** Die Nichteinhaltung der nachstehend aufgeführten Anweisungen kann einen elektrischen Schlag, Brand und/oder schwere Verletzungen verursachen.
- ◆ **Wenn dieses Gerät entgegen seiner bestimmungsgemäßen Verwendung eingesetzt wird, besteht die Gefahr von Sach- und Personenschäden.**
- ◆ **Verwenden Sie ausschließlich Zubehör, das speziell für das Gerät angefertigt wurde und vom Gerätehersteller empfohlen wird.** Die Möglichkeit, Zubehör an das Gerät anzubringen, garantiert nicht den sicheren Betrieb.
- ◆ **Die Geschwindigkeit, für die das Zubehör ausgelegt ist, muss mindestens der Höchstgeschwindigkeit entsprechen, die auf dem Gerät angegeben ist.** Wenn Zubehör mit Geschwindigkeiten betrieben wird, für die es nicht ausgelegt ist, kann es beschädigt oder umhergeschleudert werden.
- ◆ **Der Außendurchmesser und die Stärke des Zubehörs müssen innerhalb der Gerätekapazität liegen.** Zubehör mit falschen Maßen kann nicht ausreichend kontrolliert werden.
- ◆ **Die Rolldorngröße von Rädern, Flanschen, Trägerpapier oder anderem Zubehör muss der Spindel des Geräts entsprechen.** Zubehör mit Rolldornöffnungen, die nicht exakt zur Zubehöraufnahme des Geräts passen, laufen mit Unwucht, erzeugen übermäßige Vibrationen und können außer Kontrolle geraten.
- ◆ **Verwenden Sie kein beschädigtes Zubehör. Überprüfen Sie vor jeder Inbetriebnahme das Zubehör, z. B. Trennscheiben auf Splitter und Risse, Trägerpapier auf Risse oder extreme Abnutzung, Drahtbürsten auf lose oder beschädigte Drähte.** Wenn das Gerät oder Zubehör fallen gelassen wird, untersuchen Sie die Teile auf Schäden. Montieren Sie ggf. unbeschädigtes Zubehör. Wenn nach der Überprüfung das Zubehör montiert wird, muss das Gerät eine Minute lang bei maximaler Leerlaufdrehzahl betrieben werden. Eventuell beschädigtes Zubehör wird bei diesem Test i. d. R. abbrechen.

- ◆ **Verwenden Sie eine geeignete Schutzausrüstung. Verwenden Sie je nach Einsatz ein Sicherheitsschild oder Schutzbrillen. Verwenden Sie ggf. Staubmasken, Gehörschutz, Handschuhe und eine Arbeitsschürze, die Schleif- oder Werkstückpartikel abfangen kann.** Der Augenschutz muss so gewählt werden, dass während verschiedener Arbeiten umhergeschleuderte Splitter abgefangen werden. Die Staub- oder Atemmaske muss die Partikel filtern können, die durch den Einsatz entstehen. Ein hoher Geräuschpegel kann nach bestimmter Zeit zu Gehörschäden führen.
- ◆ **Halten Sie andere Personen vom Arbeitsbereich fern. Jede Person, die den Arbeitsbereich betritt, muss eine persönliche Schutzausrüstung tragen.** Splitter des Werkstücks oder des Zubehörs können umhergeschleudert werden und auch außerhalb des unmittelbaren Arbeitsbereichs Verletzungen verursachen.
- ◆ **Halten Sie das Gerät ausschließlich an den isolierten Griffflächen, wenn Sie Arbeiten ausführen, bei denen das Werkzeug ein verdecktes Kabel oder das Geräterkabel berühren könnte.** Der Kontakt mit stromführenden Leitungen kann auch offenliegende Metallteile am Gerät unter Strom setzen und zu einem Stromschlag führen.
- ◆ **Achten Sie darauf, dass das Kabel nicht von sich drehendem Zubehör erfasst werden kann.** Wenn Sie die Kontrolle verlieren, wird möglicherweise das Kabel durchtrennt oder aufgewickelt, sodass Hand oder Arm in das sich drehende Zubehör gezogen werden.
- ◆ **Warten Sie stets, bis das Zubehör vollständig zum Stillstand gekommen ist, bevor Sie das Gerät ablegen.** Wenn sich drehendes Zubehör in Kontakt mit der Ablegeoberfläche kommt, verlieren Sie möglicherweise die Kontrolle über das Gerät.
- ◆ **Tragen Sie niemals ein laufendes Gerät seitlich am Körper.** Das Zubehör kann Ihre Kleidung erfassen und so an Ihren Körper geraten.
- ◆ **Reinigen Sie in regelmäßigen Abständen die Lüftungsöffnungen des Geräts.** Der Motorlüfter saugt Staub in das Gehäuseinnere. Große Ansammlungen von Metallstaub können elektrische Gefahren verursachen.
- ◆ **Betreiben Sie das Gerät nicht in der Umgebung von brennbaren Materialien.** Diese können durch Funken entzündet werden.
- ◆ **Verwenden Sie kein Zubehör, für das flüssiges Kühlmittel erforderlich ist.** Die Verwendung von Wasser oder flüssigen Kühlmitteln kann zu Verletzungen oder Todesfällen durch elektrischen Schlag führen.

Hinweis: Dieser Sicherheitshinweis gilt nicht für Geräte, die speziell für die Verwendung mit flüssigen Kühlmitteln entwickelt wurden.

Rückschlag und damit verbundene Sicherheitshinweise

Ein Rückschlag ist eine plötzliche Reaktion des Geräts, wenn ein sich drehendes Rad, Trägerpapier, eine Bürste oder sonstiges sich drehendes Zubehör verklemt oder verkantet. Durch das daraus folgende unmittelbare Stoppen des Zubehörs wird das Gerät in die Richtung bewegt, die der Drehrichtung des Zubehörs entgegengesetzt ist.

Wenn z. B. eine Trennscheibe im Werkstück eingeklemmt wird oder verkantet, kann sich die Scheibenkante in die Materialoberfläche fressen, sodass die Scheibe aus dem Werkstück springt. Abhängig von der Drehrichtung kann die Scheibe entweder zum Bediener hin- oder von ihm wegspringen. Unter diesen Umständen können Trennscheiben auch brechen.

Ein Rückschlag ist das Resultat eines Missbrauchs und/oder einer falschen Bedienung des Geräts und/oder falscher Betriebsbedingungen. Er kann durch die entsprechenden unten angegebenen Vorsichtsmaßnahmen vermieden werden.

- ◆ **Halten Sie das Gerät stets fest im Griff, und nehmen Sie eine Körper- und Armhaltung ein, in der Sie Rückschläge auffangen können. Verwenden Sie stets den Zusatzgriff, sofern vorhanden, sodass Sie optimal auf eventuelle Rückschläge oder Drehmomente während des Startens reagieren können.** Rückschlagkräfte oder Drehmomente können vom Bediener mittels entsprechender Vorsichtsmaßnahmen unter Kontrolle gehalten werden.
- ◆ **Halten Sie Ihre Hände von sich drehendem Zubehör fern.** Ein Rückschlag kann das Zubehörteil gegen Ihre Hände schlagen lassen.
- ◆ **Positionieren Sie Ihren Körper so, dass das Gerät im Falle eines Rückschlags nicht in Ihre Richtung gedrückt wird.** Durch einen Rückschlag wird das Gerät in die Richtung gedrückt, die der Drehrichtung des Zubehörs zum Zeitpunkt des Verkantens entgegengesetzt ist.
- ◆ **Beim Bearbeiten von Ecken, scharfen Kanten usw. ist besondere Aufmerksamkeit erforderlich. Verhindern Sie ein Springen und Verkanten des Geräts.** Das Bearbeiten von Ecken oder scharfen Kanten bzw. das Springen des Geräts birgt ein hohes Risiko für ein Verkanten des Zubehörs und somit für einen Rückschlag und Kontrollverlust.
- ◆ **Bringen Sie keine Sägeketten, Holzmesser oder gezahnte Sägen an.** Dieses Zubehör verursacht häufig Rückschläge und daraus folgende Kontrollverluste.

Spezielle Sicherheitshinweise für Schleif- und Trennarbeiten

- ◆ **Verwenden Sie ausschließlich Scheiben, die zur Verwendung mit Ihrem Gerät empfohlen werden, sowie die für die verwendete Scheibe passende Schutzvorrichtung.** Wenn dieses Gerät mit Scheiben betrieben wird, die nicht für das Gerät ausgelegt sind, ist kein ausreichender Schutz gewährleistet.
- ◆ **Die Schutzvorrichtung muss sorgfältig am Gerät angebracht und für optimalen Schutz ausgerichtet werden, sodass möglichst viel Scheibenfläche von der Schutzvorrichtung abgeschirmt wird.** Die Schutzvorrichtung schützt den Betreiber vor Scheibensplintern oder dem unbeabsichtigten Berühren der Scheibe.
- ◆ **Die Scheiben dürfen nur gemäß ihrer Verwendungsbestimmungen eingesetzt werden. Beachten Sie z. B. Folgendes:** Benutzen Sie die Seite einer Trennscheibe niemals zum Schleifen. Trennscheiben dienen zum peripheren Schleifen. Wenn Kräfte auf die Seiten dieser Scheiben ausgeübt werden, können diese zerbrechen.
- ◆ **Verwenden Sie für die ausgewählte Scheibe ausschließlich unbeschädigte Scheibenflansche von entsprechender Größe und Form.** Durch passende Scheibenflansche wird die Scheibe verstärkt und somit das Risiko eines Scheibenbruchs reduziert. Flansche für Trennscheiben können sich von Flanschen für Schleifscheiben unterscheiden.
- ◆ **Verwenden Sie keine abgenutzten Scheiben von größeren Geräten.** Scheiben größerer Geräte sind nicht für die höheren Geschwindigkeiten kleinerer Geräte geeignet und können so zerspringen.

Zusätzliche Sicherheitshinweise für Trennarbeiten

- ◆ **Rammen Sie die Scheibe nicht in das Werkstück, und üben Sie keinen übermäßigen Druck aus. Versuchen Sie nicht, Schnitte von übermäßiger Tiefe zu erzielen.** Bei Überlastung der Scheibe erhöht sich das Risiko eines Verdrehens oder Verkantens im Schnitt und somit auch das Risiko eines Rückschlags oder Scheibenbruchs.
- ◆ **Positionieren Sie Ihren Körper niemals in einer Linie mit und hinter der sich drehenden Scheibe.** Wenn sich die Scheibe am Schnittpunkt von Ihrem Körper wegdreht, würden bei einem Rückschlag die Scheibe und das Gerät in Ihre Richtung geschleudert.
- ◆ **Wenn die Scheibe verkantet oder Sie die Arbeit unterbrechen möchten, schalten Sie das Gerät aus, und halten Sie es bewegungslos, bis die Scheibe vollständig zum Stillstand kommt. Versuchen Sie niemals, die Trennscheibe aus dem Schnitt zu entfernen, während die Scheibe in Bewegung ist. Andernfalls kann ein Rückschlag auftreten.** Untersuchen Sie die Ursache für die verkantete Scheibe, und ergreifen Sie entsprechende Gegenmaßnahmen.

- ◆ **Starten Sie den Arbeitsvorgang nicht im Werkstück. Führen Sie die Scheibe erst in den Schnitt ein, wenn diese ihre Höchstgeschwindigkeit erreicht hat.** Wenn das Gerät im Werkstück gestartet wird, kann die Scheibe verkanten, herauspringen oder einen Rückschlag verursachen.
- ◆ **Stützen Sie Platten oder sehr große Werkstücke ab, um ein mögliches Verklemmen oder Rückschlagen der Scheibe zu vermeiden.** Große Werkstücke neigen zum Durchbiegen unter ihrem eigenen Gewicht. Das Werkstück muss auf beiden Seiten nahe der Schnittlinie sowie an den Rändern von unten abgestützt werden.
- ◆ **Gehen Sie beim Eintauchschnitt in Wände oder sonstige unübersichtliche Bereiche besonders vorsichtig vor.** Die Scheibe kann in Gas-, Wasser- und Stromleitungen sowie andere Objekte eindringen, die einen Rückschlag verursachen können.

Spezielle Sicherheitshinweise für Schleifarbeiten

- ◆ **Verwenden Sie keine extrem übergroßen Schleifpapiere. Befolgen Sie bei der Auswahl von Sandpapier die Herstellerempfehlungen.** Wenn Sandpapier über die Schleifplatte hinausreicht, besteht die Gefahr von Rissen, des Verkantens, von Beschädigungen der Scheibe und von Rückschlägen.

Spezielle Sicherheitshinweise für Polierarbeiten

- ◆ **Lose Komponenten der Polierhaube oder lose Befestigungsschnüre dürfen keinesfalls frei drehen. Lose Befestigungsschnüre müssen entweder verflochten oder gekürzt werden.** Lose und sich drehende Befestigungsschnüre können Ihre Finger oder das Werkstück erfassen.

Spezielle Sicherheitshinweise für Abbürstarbeiten

- ◆ **Beachten Sie, dass sich auch während des normalen Betriebs Drahtborsten lösen und umhergeschleudert werden. Überlasten Sie die Drahtborsten nicht durch übermäßigen Druck auf die Bürste.** Die Drahtborsten können problemlos leichte Kleidung und Haut durchdringen.
- ◆ **Wenn für Abbürstarbeiten die Verwendung einer Schutzvorrichtung empfohlen wird, dürfen weder Scheibe noch Bürste in Kontakt mit der Schutzvorrichtung kommen.** Der Durchmesser von Scheibe oder Bürste kann sich durch Arbeitsbelastung und Zentrifugalkräfte erhöhen.

Sicherheit anderer Personen

- ◆ Dieses Gerät darf nicht von Personen (einschließlich Kindern) mit eingeschränkten körperlichen, sensorischen oder geistigen Fähigkeiten sowie mangelnder Erfahrung und Kenntnissen bedient werden, es sei denn, sie werden bei der Verwendung des Geräts von einer erfahrenen Person beaufsichtigt oder angeleitet.
- ◆ Kinder müssen beaufsichtigt werden, um sicherzustellen, dass sie nicht mit dem Gerät spielen.

Restrisiken.

Für den Gebrauch dieses Geräts verbleiben zusätzliche Restrisiken, die möglicherweise nicht in den Sicherheitswarnungen genannt werden. Diese Risiken bestehen beispielsweise bei Missbrauch oder längerem Gebrauch.

Auch bei der Einhaltung der entsprechenden Sicherheitsvorschriften und der Verwendung aller Sicherheitsgeräte bestehen weiterhin bestimmte Restrisiken. Diese werden im Folgenden aufgeführt:

- ◆ **Verletzungen, die durch das Berühren von sich drehenden/bewegenden Teilen verursacht werden.**
- ◆ **Verletzungen, die durch das Austauschen von Teilen, Messern oder Zubehör verursacht werden.**
- ◆ **Verletzungen, die durch längeren Gebrauch eines Geräts verursacht werden. Legen Sie bei längerem Gebrauch regelmäßige Pausen ein.**
- ◆ **Beeinträchtigung des Gehörs.**
- ◆ **Gesundheitsrisiken durch das Einatmen von Staub bei Verwendung des Geräts (beispielsweise bei Holzarbeiten, insbesondere Eiche, Buche und Pressspan).**

Vibration

Die in den Abschnitten "Technische Daten" und "EG-Konformitätserklärung" angegebenen Werte für die Vibrationsemission wurden mit einer Standard-Prüfmethode nach EN 60745 ermittelt und können zum Vergleich verschiedener Geräte herangezogen werden. Außerdem kann mit Hilfe dieses Werts die Belastung bei Verwendung des Geräts schon im Voraus eingeschätzt werden.

Achtung! Die bei Verwendung des Geräts auftretende Vibrationsemission hängt von der Art des Gerätegebrauchs ab und kann dementsprechend von dem angegebenen Wert abweichen. Gegebenenfalls kann die Vibration über dem angegebenen Wert liegen.

Für die Ermittlung der Vibrationsbelastung müssen die tatsächlichen Einsatzbedingungen und Verwendungen des Geräts während des gesamten Arbeitsgangs berücksichtigt werden, einschließlich der Zeiten, wenn das Gerät nicht verwendet oder im Leerlauf betrieben wird. Diese Werte werden benötigt, um die gemäß 2002/44/EG erforderlichen Sicherheitsmaßnahmen zum Schutz von Personen festlegen zu können.

Warnsymbole am Gerät

Am Gerät sind folgende Warnsymbole angebracht:



Achtung! Lesen Sie vor Gebrauch die Anleitung. Andernfalls besteht Verletzungsgefahr.



Tragen Sie eine Schutzbrille, wenn Sie mit dem Gerät arbeiten.



Tragen Sie einen Gehörschutz, wenn Sie mit dem Gerät arbeiten.

Elektrische Sicherheit



Dieses Gerät ist schutzisoliert, daher ist keine Erdleitung erforderlich. Überprüfen Sie stets, ob die Netzspannung der auf dem Typenschild des Geräts angegebenen Spannung entspricht.

- ◆ Ist das Netzkabel beschädigt, muss es durch den Hersteller oder eine Stanley Fat Max Vertragswerkstatt ausgetauscht werden, um eine mögliche Gefährdung zu vermeiden.

Merkmale

Dieses Gerät verfügt über einige oder alle der folgenden Merkmale.

1. Ein-/Ausschalter
2. Seitlicher Haltegriff
3. Spindelarretierung
4. Schleifschutz

Montage

Achtung! Vergewissern Sie sich vor der Montage, dass das Gerät ausgeschaltet ist und der Netzstecker gezogen wurde.

Anbringen und Entfernen der Schutzvorrichtung (Abb. A)

Das Gerät ist mit einer Schutzvorrichtung ausgestattet, die nur für Schleifarbeiten und Schneidarbeiten vorgesehen ist. Achten Sie darauf, dass Sie die richtige Schutzvorrichtung für die vorgesehene Betriebsart verwenden. Wenn mit dem Gerät Schneidarbeiten ausgeführt werden sollen, muss eine entsprechende Schutzvorrichtung angebracht werden (17, Abb F).

Anbringen

- ◆ Legen Sie das Gerät auf einem Tisch mit der Spindel (5) nach oben ab.
- ◆ Lösen Sie die Klemme (7), und halten Sie die Schutzvorrichtung (4) gemäß der Abbildung über das Gerät.
- ◆ Richten Sie die Haltevorrichtungen (8) an den Kerben (9) aus.
- ◆ Drücken Sie die Schutzvorrichtung nach unten, und drehen Sie sie entgegen dem Uhrzeigersinn in die gewünschte Position.
- ◆ Schließen Sie die Klemme (7), um die Schutzvorrichtung am Gerät zu sichern.
- ◆ Ziehen Sie ggf. die Schraube (6) an, um die Haltekraft zu erhöhen.

Abnehmen

- ◆ Lösen Sie die Klemme (7).
- ◆ Drehen Sie die Schutzvorrichtung im Uhrzeigersinn, bis die Haltevorrichtungen (8) an den Kerben (9) ausgerichtet sind.
- ◆ Nehmen Sie die Schutzvorrichtung vom Gerät ab.

Achtung! Verwenden Sie das Gerät nie ohne Schutzvorrichtung.

Anbringen des seitlichen Haltegriffs

- ◆ Schrauben Sie den seitlichen Haltegriff (2) in eine der Montageöffnungen des Geräts.

Achtung! Verwenden Sie stets den seitlichen Haltegriff.

Anbringen und Entfernen einer Schleif- oder Trennscheibe (Abb. B bis D)

Verwenden Sie stets die für Ihre Arbeit passende Scheibe. Verwenden Sie stets Scheiben mit korrektem Durchmesser und entsprechender Bohrung (s. technische Daten).

Anbringen

- ◆ Bringen Sie die Schutzvorrichtung wie oben beschrieben an.
- ◆ Setzen Sie den inneren Flansch (10) auf die Spindel (5) auf (s. Abb. B). Vergewissern Sie sich, dass der Flansch ordnungsgemäß auf den flachen Seiten der Spindel sitzt.
- ◆ Setzen Sie die Scheibe (11) auf die Spindel (5) auf (s. Abb. B). Wenn die Scheibe über eine Erhöhung in der Mitte (12) verfügt, muss diese Erhöhung zum inneren Flansch weisen.
- ◆ Vergewissern Sie sich, dass die Scheibe ordnungsgemäß auf dem inneren Flansch sitzt.
- ◆ Setzen Sie den äußeren Flansch (13) auf die Spindel auf. Bei Schleifscheiben muss die Erhöhung in der Mitte am äußeren Flansch zur Scheibe weisen (A in Abb. C). Bei Trennscheiben muss die Erhöhung in der Mitte am äußeren Flansch von der Scheibe weg weisen (B in Abb. C).

- ◆ Halten Sie die Spindelarretierung (3) gedrückt, und ziehen Sie den äußeren Flansch mithilfe des Stirnlochschlüssels (14) fest (Abb. D).

Abnehmen

- ◆ Halten Sie die Spindelarretierung (3) gedrückt, und lösen Sie den äußeren Flansch (13) mithilfe des Stirnlochschlüssels (14) (Abb. D).
- ◆ Nehmen Sie den äußeren Flansch (13) und die Scheibe (11) ab.

Anbringen und Entfernen der Schleifscheiben (Abb. D und E)

Für Schleifarbeiten ist Trägerpapier erforderlich. Sie erhalten dieses Trägerpapier als Zubehör im Stanley Fat Max Fachhandel.

Anbringen

- ◆ Setzen Sie den inneren Flansch (10) auf die Spindel (5) auf (s. Abb. E). Vergewissern Sie sich, dass der Flansch ordnungsgemäß auf den flachen Seiten der Spindel sitzt.
- ◆ Setzen Sie das Trägerpapier (15) auf der Spindel auf.
- ◆ Positionieren Sie die Schleifscheibe (16) über dem Trägerpapier.
- ◆ Setzen Sie den äußeren Flansch (13) auf der Spindel auf. Dabei muss die Erhöhung in der Mitte von der Scheibe weg weisen.
- ◆ Halten Sie die Spindelarretierung (3) gedrückt, und ziehen Sie den äußeren Flansch mithilfe des Stirnlochschlüssels (14) fest (Abb. D). Vergewissern Sie sich, dass der äußere Flansch ordnungsgemäß sitzt und die Scheibe sorgfältig befestigt ist.

Abnehmen

- ◆ Halten Sie die Spindelarretierung (3) gedrückt, und lösen Sie den äußeren Flansch (13) mithilfe des Stirnlochschlüssels (14) (Abb. D).
- ◆ Nehmen Sie den äußeren Flansch (13), die Schleifscheibe (16) und das Trägerpapier (15) ab.

Anwendung

Achtung! Beschleunigen Sie den Arbeitsvorgang nicht mit Gewalt. Vermeiden Sie eine Überlastung des Geräts.

- ◆ Achten Sie auf sorgfältige Kabelführung, um unbeabsichtigte Kabelschäden zu vermeiden.
- ◆ Rechnen Sie mit Funkenflug, wenn die Schleif- oder Trennscheibe das Werkstück berührt.
- ◆ Richten Sie das Gerät stets so aus, dass die Schutzvorrichtung optimalen Schutz vor der Schleif- oder Trennscheibe bietet.

Ein- und Ausschalten

- ◆ Schieben Sie zum Einschalten den Ein-/Ausschalter (1) nach vorne, und drücken Sie ihn. Das Gerät läuft weiter, wenn Sie den Schalter loslassen.
- ◆ Zum Ausschalten des Geräts drücken Sie den hinteren Teil des Ein-/Ausschalters.

Achtung! Schalten Sie das Gerät nicht unter Last aus.

Hinweise für optimale Arbeitsergebnisse

- ◆ Halten Sie das Gerät mit einer Hand am seitlichen Haltegriff und mit der anderen Hand am Hauptgriff sorgfältig fest.
- ◆ Halten Sie beim Schleifen stets einen Winkel von rund 15° zwischen der Scheibe und der Oberfläche des Werkstücks ein.

Wartung

Ihr Stanley Fat Max Gerät (mit und ohne Netzkabel) wurde im Hinblick auf eine lange Lebensdauer und einen möglichst geringen Wartungsaufwand entwickelt. Ein dauerhafter, einwandfreier Betrieb setzt eine regelmäßige Pflege und Reinigung voraus.

Achtung! Vor dem Ausführen jeglicher Wartungsarbeiten an Geräten mit und ohne Netzkabel:

- ◆ Schalten Sie das Gerät aus, und ziehen Sie den Netzstecker.
- ◆ Wenn das Gerät über einen separaten Batteriepack oder Akku verfügt, schalten Sie das Gerät ab, und entnehmen Sie die Batterien aus dem Gerät.
- ◆ Wenn der Akku integriert ist, entladen Sie diesen vor dem Abschalten vollständig.
- ◆ Ziehen Sie das Ladegerät aus der Netzsteckdose, bevor Sie es reinigen. Das Ladegerät benötigt keine Wartung, es sollte aber regelmäßig gereinigt werden.
- ◆ Reinigen Sie regelmäßig die Lüftungsschlitze des Geräts und des Ladegeräts mit einer weichen Bürste oder einem trockenen Tuch.
- ◆ Reinigen Sie das Motorgehäuse regelmäßig mit einem feuchten Tuch. Verwenden Sie keine scheuernden Reinigungsmittel oder Reinigungsmittel auf Lösungsmittelbasis.
- ◆ Öffnen Sie regelmäßig das Spannfutter, und entfernen Sie durch Klopfen ggf. Staub aus dem Inneren des Geräts.

Austauschen des Netzsteckers (nur Großbritannien und Irland)

Gehen Sie folgendermaßen vor, wenn ein neuer Netzstecker angeschlossen werden muss:

- ◆ Entsorgen Sie den alten Stecker auf sachgerechte Weise.
- ◆ Verbinden Sie die braune Leitung mit dem spannungsführenden Anschluss des Steckers.
- ◆ Verbinden Sie die blaue Leitung mit dem neutralen Anschluss.

Achtung! Der Erdleiter wird nicht angeschlossen. Befolgen Sie die Anleitungen, die dem Stecker beiliegen. Empfohlene Sicherung: 13 A.

Umweltschutz



Getrennte Entsorgung. Dieses Produkt darf keinesfalls mit dem Hausmüll entsorgt werden.

Sollten Sie Ihr Stanley Fat Max Produkt eines Tages ersetzen oder nicht mehr benötigen, entsorgen Sie es nicht mit dem Hausmüll. Führen Sie das Produkt einer getrennten Sammlung zu.



Durch die getrennte Sammlung von ausgedienten Produkten und Verpackungsmaterialien können Rohstoffe recycelt und wiederverwendet werden. Die Wiederverwendung aufbereiteter Materialien trägt zur Vermeidung der Umweltverschmutzung bei und senkt den Rohstoffbedarf.

Die Verordnung zur Abfallentsorgung Ihrer Gemeinde sieht möglicherweise vor, dass Elektrogeräte getrennt vom Hausmüll gesammelt, an der örtlichen Abfallentsorgungseinrichtung abgegeben oder beim Kauf eines neuen Produkts vom Fachhandel zur Entsorgung angenommen werden müssen.

Stanley Europe nimmt Ihre ausgedienten Stanley Fat Max Geräte gern zurück und sorgt für eine umweltfreundliche Entsorgung bzw. Wiederverwertung. Um diese Dienstleistung in Anspruch zu nehmen, geben Sie das Gerät bitte bei einer autorisierten Reparaturwerkstatt ab, die für uns die Einsammlung übernimmt.

Die Adresse der zuständigen Niederlassung von Stanley Europe steht in dieser Anleitung. Dort teilt man Ihnen gerne die nächstgelegene Vertragswerkstatt mit. Eine Liste der Vertragswerkstätten und aller Kundendienststellen von Stanley Europe sowie der zuständigen Ansprechpartner finden Sie auch im Internet unter: www.2helpU.com

Technische Daten

		FME811 (Typ 1)	FME812 (Typ 1)
Eingangsspannung	V _{ac}	230	230
Leistungsaufnahme	W	850	850
Leerlaufdrehzahl	min ⁻¹	12,000	12,000
Durchmesser der Scheibe	mm	115	125
Scheibenbohrung	mm	22	22
Max. Scheibenstärke			
Schleifscheiben	mm	6	6
Trennscheiben	mm	3.5	3.5
Spindelgröße		M14	M14
Gewicht	kg	2.1	2.1

L _{PA} (Schalldruck) 94.5 dB(A), Unsicherheitsfaktor (K) 3 dB(A)
L _{WA} (Schalleistung) 105.5 dB(A), Unsicherheitsfaktor (K) 3 dB(A)
Gesamtvibration (Triax-Vektorsumme) gemäß EN 60745:
Oberflächenschleifen (a _{h,SG}) 9.9 m/s ² , Unsicherheitsfaktor (K) 1.5 m/s ²
Schneiden (a _v) 9.1 m/s ² , Unsicherheitsfaktor (K) 1.5 m/s ²
Polieren (a _{h,p}) 5.0 m/s ² , Unsicherheitsfaktor (K) 1.5 m/s ²
Scheibenschleifen (a _{h,DS}) 3.3 m/s ² , Unsicherheitsfaktor (K) 1.5 m/s ²
Drahtbürsten (a _v) 9.2 m/s ² , Unsicherheitsfaktor (K) 1.5 m/s ²

EG-Konformitätserklärung
MASCHINENRICHTLINIE

FME811/FME812

Stanley Europe erklärt, dass diese unter "Technische Daten" beschriebenen Geräte übereinstimmen mit: 2006/42/EG, EN 60745-1, EN 60745-2-3

Diese Produkte entsprechen außerdem den Richtlinien 2004/108/EG und 2011/65/EU. Weitere Informationen erhalten Sie von Stanley Europe unter der folgenden Adresse. Diese befindet sich auch auf der Rückseite dieser Anleitung.

Der Unterzeichnete ist verantwortlich für die Zusammenstellung der technischen Daten und gibt diese Erklärung im Namen von Stanley Europe ab.

Kevin Hewitt
Vice-President Global Engineering
Stanley Europe, Egide Walschaertsstraat 14-18,
2800 Mechelen, Belgien
19/04/2013

Garantie

Stanley Europe vertraut auf die Qualität der eigenen Geräte und bietet gewerblichen Anwendern eine außergewöhnliche Garantie. Bei dieser Garantieerklärung handelt es sich um eine Ergänzung zu den vertraglich festgeschriebenen Rechten von Heimanwendern, die durch diese Garantieerklärung keinesfalls eingeschränkt werden. Sie gilt in sämtlichen Mitgliedstaaten der Europäischen Union und der Europäischen Freihandelszone EFTA.

VOLLE GARANTIE FÜR EIN JAHR

Tritt innerhalb von 12 Monaten ab Kaufdatum an einem Gerät von Stanley Fat Max ein auf Material- oder Verarbeitungsfehler zurückzuführender Mangel auf, garantiert Stanley Europe den kostenlosen Austausch sämtlicher defekter Teile bzw. – nach eigenem Ermessen – den kostenlosen Ersatz des Geräts, allerdings vorbehaltlich folgender Bedingungen:

- ◆ Das Gerät wurde gemäß dieser Anleitung verwendet.
- ◆ Das Gerät wurde nur normaler Abnutzung ausgesetzt.
- ◆ Es wurden keine Reparaturversuche durch unberechtigte Personen unternommen.
- ◆ Es ist ein Kaufbeleg vorhanden.
- ◆ Das Gerät von Stanley Fat Max wird vollständig und mit allen Originalkomponenten eingereicht.

Wenn Sie Garantieleistungen in Anspruch nehmen möchten, wenden Sie sich an den Verkäufer oder die zuständige Niederlassung von Stanley Fat Max. Die Adresse finden Sie im Stanley Fat Max Katalog, oder sie wird Ihnen von der örtlichen Niederlassung genannt, deren Adresse in dieser Anleitung steht. Eine Liste der Vertragswerkstätten und aller Kundendienststellen von Stanley Fat Max finden Sie auch im Internet unter: www.stanley.eu/3

Utilisation

Votre ponceuse d'angle Stanley Fat Max peut poncer et couper le métal et la pierre tendre à l'aide du disque de coupe ou de ponçage approprié. Quand il est monté avec la garde échant, cet outil est destiné aux professionnels et privés, des utilisateurs non professionnels.

Consignes de sécurité

Consignes de sécurité concernant les outils électroportatifs



Attention ! Lisez avec attention tous les avertissements et toutes les instructions. Le non-respect de cette consigne peut entraîner une électrocution, un incendie et/ou de graves blessures.

Conservez tous les avertissements et instructions pour référence ultérieure. La notion d'« outil électroportatif » mentionnée par la suite se rapporte à des outils électriques raccordés au secteur (avec câble de raccordement) ou fonctionnant avec piles (sans fil).

1. Sécurité de la zone de travail

- a. **Maintenez la zone de travail propre et bien éclairée.** Un lieu de travail en désordre ou mal éclairé augmente le risque d'accidents.
- b. **N'utilisez pas les outils électroportatifs dans un environnement présentant des risques d'explosion ni en présence de liquides, gaz ou poussières inflammables.** Les outils électroportatifs génèrent des étincelles risquant d'enflammer les poussières ou les vapeurs.
- c. **Tenez les enfants et autres personnes éloignés durant l'utilisation de l'outil électroportatif.** En cas d'inattention, vous risquez de perdre le contrôle de l'outil.

2. Sécurité électrique

- a. **La prise de l'outil électroportatif doit être compatible avec la prise d'alimentation. Ne modifiez en aucun cas la prise. N'utilisez pas de prises d'adaptateur avec des appareils ayant une prise de terre.** Le respect de ces consignes réduit le risque de choc électrique.
- b. **Évitez le contact physique avec des surfaces mises à la terre telles que tuyaux, radiateurs, fours et réfrigérateurs.** Le risque de choc électrique augmente si votre corps est relié à la terre.
- c. **N'exposez pas l'outil électroportatif à la pluie ou à l'humidité.** La pénétration d'eau dans un outil électroportatif augmente le risque de choc électrique.

- d. **Préservez le câble d'alimentation. N'utilisez pas le câble pour porter l'outil, pour l'accrocher. Ne le tirez pas pour le débrancher. Maintenez le câble éloigné des sources de chaleurs, des parties huilées, des bords tranchants ou des parties de l'appareil en rotation.** Le risque de choc électrique augmente si les câbles sont endommagés ou emmêlés.
- e. **Si vous utilisez l'outil électroportatif à l'extérieur, utilisez une rallonge homologuée pour une utilisation à l'extérieur.** L'utilisation d'une rallonge électrique homologuée pour les travaux à l'extérieur réduit le risque de choc électrique.
- f. **Si l'outil doit être utilisé dans un endroit humide, prenez les précautions nécessaires en utilisant un dispositif à courant résiduel (RCD).** L'utilisation d'un tel dispositif réduit les risques d'électrocution.

3. Sécurité personnelle

- a. **Restez vigilant, surveillez ce que vous faites. Faites preuve de bon sens quand vous utilisez un outil électroportatif. N'utilisez pas l'outil lorsque vous êtes fatigué ou après avoir consommé de l'alcool ainsi que des médicaments.** Un moment d'inattention en utilisant l'outil peut entraîner de graves blessures.
- b. **Portez un équipement de protection. Portez toujours des lunettes de protection.** Selon le travail à effectuer, le port d'équipement de protection tels que masque anti-poussières, chaussures de sécurité antidérapantes, casque ou protection auditive, réduit le risque de blessures.
- c. **Évitez un démarrage imprévu. L'appareil doit être en position OFF (arrêt) avant d'effectuer le branchement à l'alimentation et/ou au bloc-batterie, de le ramasser ou de le porter.** Ne laissez pas votre doigt sur le bouton de commande en le transportant. N'alimentez pas l'outil si le bouton est activé. Ceci pourrait être à l'origine d'accident.
- d. **Enlevez tout outil ou clé de réglage avant de mettre l'appareil en marche.** Une clé ou un outil se trouvant sur une partie en rotation peut causer des blessures.
- e. **Adoptez une position confortable. Adoptez une position stable et gardez votre équilibre en permanence.** Vous contrôlerez ainsi mieux l'outil dans des situations inattendues.
- f. **Portez des vêtements appropriés. Ne portez pas de vêtements amples ou de bijoux. N'approchez pas les cheveux, vêtements ou gants des parties des pièces mobiles.** Les vêtements amples, les bijoux ou les cheveux longs peuvent s'accrocher dans les pièces en mouvement.

- g. **En cas d'utilisation d'appareils servant à aspirer ou à recueillir les poussières, assurez-vous qu'ils sont correctement raccordés et utilisés.** L'utilisation de tels dispositifs réduit les dangers dus aux poussières.
4. **Utilisation des outils électroportatifs et précautions**
- a. **Respectez la capacité de l'outil. Utilisez l'outil électroportatif approprié pour le travail à effectuer.** Avec un outil approprié, vous travaillerez mieux et en toute sécurité.
- b. **N'utilisez pas un outil électroportatif dont l'interrupteur est défectueux.** Un outil électroportatif qui ne répond pas à la commande marche/arrêt est dangereux et doit être réparé.
- c. **Retirez la prise de courant et/ou débranchez le bloc-batterie avant d'effectuer des réglages, de changer les accessoires ou de ranger l'outil.** Cette mesure de précaution empêche de mettre l'outil en marche accidentellement.
- d. **Rangez les outils électroportatifs hors de portée des enfants. Les personnes ne connaissant pas l'outil ou n'ayant pas lu ces instructions ne doivent en aucun cas l'utiliser.** Les outils électroportatifs sont dangereux lorsqu'ils sont utilisés par des personnes non initiées.
- e. **Entretenez les outils électroportatifs. Vérifiez que les parties en mouvement fonctionnent correctement et qu'elles ne sont pas coincées. Vérifiez qu'il n'y a pas de pièces cassées ou endommagées susceptibles de nuire au bon fonctionnement de l'outil. S'il est endommagé, faites réparer l'outil avant de l'utiliser.** De nombreux accidents sont la conséquence d'outils mal entretenus.
- f. **Maintenez les outils de coupe aiguisés et propres.** Des outils soigneusement entretenus avec des bords tranchants bien aiguisés se coincent moins souvent et peuvent être guidés plus facilement.
- g. **Utilisez les outils électroportatifs, les accessoires, etc., en suivant ces instructions et en tenant compte des conditions de travail, ainsi que du travail à effectuer.** L'utilisation des outils électroportatifs à d'autres fins que celles prévues peut vous mettre en situation dangereuse.
5. **Réparations**
- a. **Faites réparer votre outil électroportatif uniquement par du personnel qualifié et seulement avec des pièces de rechange appropriées.** Cela garantira le maintien de la sécurité de votre outil.

Consignes de sécurité supplémentaires concernant les outils électroportatifs



Attention ! Consignes de sécurité supplémentaires pour les opérations de ponçage, de meulage, de broissage métallique, de polissage ou de coupe abrasive

- ◆ **Cet outil peut être utilisé comme ponceuse, meuleuse, brosse métallique, polisseuse ou outil de coupe. Lisez avec attention tous les avertissements, consignes, illustrations et spécifications concernant cet outil.** Le non-respect des instructions indiquées ci-dessous peut entraîner une électrocution, un incendie et/ou de graves blessures.
- ◆ **L'utilisation de cet outil de manière non appropriée peut être à l'origine d'un accident et causer des blessures.**
- ◆ **N'utilisez que les accessoires spécifiquement conçus et recommandés par le fabricant de l'outil.** Ce n'est pas parce que l'accessoire peut être fixé à l'outil, que le fonctionnement peut être considéré comme étant fiable.
- ◆ **La valeur nominale de la vitesse de l'accessoire doit être au moins égale à la vitesse maximale inscrite sur l'outil.** Si cette vitesse est dépassée, les accessoires peuvent se casser et être éjectés.
- ◆ **Le diamètre extérieur et l'épaisseur de votre accessoire doivent correspondre à la valeur nominale de la capacité de votre outil.** Les accessoires ne correspondant pas aux dimensions prescrites ne peuvent pas être correctement contrôlés ou protégés.
- ◆ **Les dimensions de disques, de rebords, de patins ou de tout autre accessoire doivent parfaitement s'adapter à l'axe de l'outil.** Les accessoires avec trous qui ne s'adaptent pas à l'outil, se décentrent. Ceci provoque un excès de vibrations et peut entraîner la perte de perdre de contrôle.
- ◆ **N'utilisez pas un accessoire endommagé. Avant chaque utilisation, vérifiez l'état de l'accessoire, par exemple, des copeaux et des fissures sur les disques abrasifs, des fissures ou une usure excessive sur le patin, des fils endommagés sur la brosse métallique. Si l'outil ou l'accessoire tombe, vérifiez l'état ou installez un accessoire en bon état. Après avoir inspecté et installé un accessoire et avoir utilisé l'outil à une vitesse sans charge maximale pendant une minute. Normalement, les accessoires endommagés se cassent pendant cette période d'essai.**

- ◆ **Portez un équipement de protection.** En fonction de l'application, utilisez une protection faciale, des lunettes de protection ou de sécurité. Portez un masque anti-poussière, des protections auditives, des gants et un tablier d'atelier ayant la capacité d'intercepter les petits fragments abrasifs ou de la pièce. Les protections oculaires doivent pouvoir stopper les projections produites par diverses opérations. Le masque anti-poussière ou le masque filtrant doit pouvoir filtrer les particules produites au cours de l'opération. L'exposition prolongée au bruit de haute intensité peut entraîner la perte de l'ouïe.
- ◆ **Éloignez toute personne des zones de travail.** Toute personne se trouvant dans la zone de travail doit porter un matériel de protection. Des morceaux de pièces ou un accessoire cassé peuvent être projetés et causer des blessures au-delà de la zone immédiate de travail.
- ◆ **Tenez l'outil uniquement au niveau des surfaces de prise isolées.** Ceci permet d'éviter les accidents en cas de contact de l'accessoire de coupe avec des fils cachés ou son propre câble. En touchant un fil sous tension, la charge électrique passe dans les parties métalliques de l'outil électroportatif et il y a risque de choc électrique.
- ◆ **Éloignez le cordon de l'accessoire en rotation.** Si vous perdez le contrôle, le cordon risque de se couper ou de s'accrocher. Votre main ou votre bras peut être attiré dans l'accessoire en rotation.
- ◆ **Ne posez pas l'outil avant l'arrêt complet de l'accessoire.** L'accessoire en rotation risque d'accrocher la surface ce qui vous ferait perdre le contrôle de l'outil.
- ◆ **Ne portez pas l'outil quand il est en marche.** L'accessoire en rotation pourrait accidentellement accrocher vos vêtements, qui pourraient alors toucher votre corps.
- ◆ **Nettoyez régulièrement les aérations de l'outil.** La poussière entrera dans le boîtier par le biais du ventilateur du moteur. Une accumulation excessive de métal en poudre peut causer des chocs électriques.
- ◆ **Ne faites pas fonctionner l'outil dans un environnement proche de matériaux inflammables.** Les étincelles peuvent enflammer les matériaux.
- ◆ **N'utilisez pas d'accessoire nécessitant des liquides de refroidissement.** L'utilisation d'eau ou de liquide de refroidissement peut entraîner un choc électrique ou une électrocution.

Remarque : les avertissements ci-dessus ne s'appliquent pas aux outils spécifiquement conçus avec un système liquide.

Effets de retour et dangers liés à ce phénomène

L'effet de retour est une réaction soudaine sur un disque, un patin, une brosse ou tout autre accessoire en rotation qui pourrait être coincé ou accroché. Dans ce cas, l'accessoire en rotation se bloque rapidement. À terme l'outil non contrôlé est forcé dans la direction opposée à la rotation de l'accessoire au point où il se trouve coincé.

Par exemple, si un disque abrasif est coincé ou accroché dans la pièce, le bord du disque qui entre en contact avec le point de pincement peut creuser la surface du matériel, le disque remonte alors ou est projeté. Le disque peut être projeté vers l'utilisateur ou à l'opposé, ceci dépend de la direction du mouvement du disque au point de pincement.

Les disques abrasifs peuvent aussi, dans certaines circonstances, se casser.

L'effet de retour est le résultat d'une utilisation inappropriée de l'outil voire de procédures ou de conditions d'utilisation incorrectes. Il peut être évité en appliquant les précautions adéquates, décrites ci-dessous.

- ◆ **Maintenez fermement l'outil en plaçant votre corps et votre bras de manière à pouvoir résister à la puissance de l'effet de retour.** Utilisez toujours une poignée auxiliaire, si fournie, pour avoir un contrôle maximal sur l'effet de retour ou la réaction de couple pendant le démarrage. L'utilisateur peut contrôler les réactions de couple ou les forces de l'effet de retour si les précautions nécessaires sont prises.
- ◆ **Ne placez jamais votre main à côté de l'accessoire en rotation.** Un effet de retour pourrait se produire sur votre main.
- ◆ **Ne placez pas votre corps dans la zone où l'outil pourrait se déplacer si un effet de retour se produit.** L'effet de retour éjecte l'outil dans la direction opposée au mouvement de disque au point de blocage.
- ◆ **Prenez les précautions nécessaires dans les coins, les arêtes, etc.** Évitez de bloquer et de faire sauter l'accessoire. Les coins, les arêtes ou l'effet de retour a tendance à bloquer l'accessoire et à causer la perte de contrôle.
- ◆ **N'adaptez pas de lame à sculpter ou de lame dentée.** De telles lames provoquent des effets de retour fréquents et la perte de contrôle.

Consignes de sécurité pour les opérations de ponçage et de coupe abrasive

- ◆ **N'utilisez que les types de disque recommandés pour votre outil et la protection spécifiquement conçue pour la roue sélectionnée.** Il est impossible de protéger les disques ne correspondant pas à l'outil. Ils peuvent donc causer des blessures.

- ◆ **La protection doit être correctement fixée à l'outil et positionnée de la manière la plus fiable possible pour éviter au minimum d'exposer le disque soit vers l'utilisateur.** La protection évite les projections des éventuels morceaux de disque et tout contact avec le disque.
- ◆ **Les disques ne doivent être utilisés que pour les applications recommandées. Par exemple : ne poncez pas avec le côté du disque de coupe.** Les disques de coupe abrasifs permettent de poncer en périphérie, les forces latérales appliquées sur ces disques risquent de les émousser.
- ◆ **Utilisez toujours des rebords de disque en bon état, ayant la dimension et la forme appropriée au disque choisi.** Les rebords de disque maintiennent le disque. Il y a ainsi moins de risque de le casser. Les rebords des disques de coupe peuvent être différents des rebords de disque de ponçage.
- ◆ **N'utilisez pas les disques usés des plus gros outils.** Les disques qui s'adaptent sur les plus gros outils ne conviennent pas aux vitesses rapides d'un petit outil et risquent de se détériorer.

Consignes de sécurité supplémentaires spécifiques aux opérations de coupe abrasive

- ◆ **Le disque de coupe ne doit pas être trop serré. La pression ne doit pas non plus être excessive. N'essayez pas de faire une coupe trop profonde.** Une trop forte pression sur le disque augmente la charge, ce qui peut casser le disque, le tordre ou le déformer dans l'entaille ou provoquer un effet de retour.
- ◆ **Ne vous alignez pas au disque en rotation, ni derrière celui-ci.** Quand le disque s'éloigne de votre corps, un effet de retour risque d'éjecter vers vous le disque en rotation et l'outil.
- ◆ **Quand le disque se coince ou quand la coupe est interrompue pour une raison quelconque, mettez l'outil hors tension et maintenez-le jusqu'à ce qu'il s'arrête complètement. N'essayez jamais de retirer le disque de coupe de l'entaille s'il est en mouvement. Un effet de retour pourrait se produire.** Recherchez pourquoi le disque se coince et prenez les mesures appropriées pour éliminer le problème.
- ◆ **Ne recommencez pas la coupe dans la pièce. Laissez le disque atteindre la vitesse maximale et réinsérez-le avec précaution dans l'entaille.** Le disque peut se coincer, avoir un effet de retour ou sortir de la pièce quand l'outil redémarre en étant dans l'entaille.
- ◆ **Soutenez les panneaux ou les pièces trop grandes pour limiter les pincements et les effets de retour du disque.** Les pièces trop grandes ont tendance à fléchir à cause de leur propre poids. Il faut les maintenir en dessous et des deux côtés du disque, près de la ligne de coupe et près du bord de la pièce.

- ◆ **Prenez toutes les précautions nécessaires si une "coupe en plongée" dans un mur existant ou dans des zones de visibilité nulle, doit être faite.** Si le disque ressort, il risque de couper les tuyaux d'eau ou de gaz, les câbles électriques ou des objets. Ceci peut provoquer un effet de retour.

Consignes de sécurité spécifiques aux opérations de ponçage

- ◆ **N'utilisez pas de disques abrasifs de trop grandes dimensions. Suivez les recommandations des fabricants pour sélectionner le papier abrasif.** Un papier abrasif dépassant du patin de ponçage risque de se déchirer, de se bloquer ou de provoquer un effet de retour.

Consignes de sécurité spécifiques aux opérations de polissage

- ◆ **Ne laissez aucune partie du disque de polissage desserrée ou les brides de fixation tourner librement. Éliminez ou enlever les brides de fixation desserrées.** Les brides de fixation desserrées ou en rotation peuvent accrocher vos doigts ou la pièce.

Consignes de sécurité spécifiques aux opérations de brossage métallique

- ◆ **N'oubliez pas que les fils de brosse peuvent être éjectés même en fonctionnement normal. Appuyez normalement sur la brosse pour ne pas endommager les fils.** Les fils peuvent facilement pénétrer dans les vêtements fins et/ou la peau.
- ◆ **Si l'utilisation d'une protection est recommandée pour le brossage métallique, le disque ou la brosse ne doit en aucun cas toucher la protection.** Le diamètre de la brosse ou du disque métallique peut augmenter avec la charge de travail et les forces centrifuges.

Sécurité des personnes

- ◆ Cet appareil ne doit pas être utilisé par des personnes (y compris les enfants) ayant des déficiences physiques, mentales ou sensorielles. Cette consigne s'applique aussi aux personnes manquant d'expérience et de connaissance du matériel, à moins que celles-ci n'aient reçu les instructions appropriées ou qu'elles ne soient encadrées par une personne responsable de leur sécurité pour utiliser l'outil.
- ◆ Ne laissez jamais les enfants sans surveillance pour éviter qu'ils ne jouent avec cet outil.

Risques résiduels.

L'utilisation d'un outil non mentionné dans les consignes de sécurité données peut entraîner des risques résiduels supplémentaires. Ces risques peuvent survenir si la machine est mal utilisée, si l'utilisation est prolongée, etc.

Malgré l'application des normes de sécurité correspondantes et la présence de dispositifs de sécurité, les risques résiduels suivants ne peuvent être évités. Ceci comprend :

- ◆ **Les blessures dues au contact avec une pièce mobile/ en rotation.**
- ◆ **Les blessures causées en changeant des pièces, lames ou accessoires.**
- ◆ **Les blessures dues à l'utilisation prolongée d'un outil. Une utilisation prolongée de l'outil nécessite des pauses régulières.**
- ◆ **Déficiance auditive.**
- ◆ **Risques pour la santé causés par l'inhalation de poussières produites pendant l'utilisation de l'outil (exemple : travail avec du bois, surtout le chêne, le hêtre et les panneaux en MDF).**

Vibration

La valeur des émissions de vibration déclarée dans la section Déclaration/Données techniques de conformité a été mesurée selon une méthode d'essai standard fournie par la norme EN 60745 et peut être utilisée pour comparer un outil à un autre. Elle peut aussi être utilisée pour une évaluation préliminaire à l'exposition.

Attention ! Selon la manière dont l'outil est utilisé, la valeur des émissions de vibration pendant l'utilisation de l'outil peut être différente de la valeur déclarée. Le niveau de vibration peut augmenter au-dessus du niveau établi.

Quand l'exposition aux vibrations est évaluée afin de déterminer les mesures de sécurité requises par la norme 2002/44/CE pour protéger les personnes utilisant régulièrement des outils électroportatifs, il faut tenir compte d'une estimation de l'exposition aux vibrations, des conditions actuelles d'utilisation et de la manière dont l'outil est utilisé. Il faut aussi tenir compte de toutes les pièces du cycle de fonctionnement comme la durée pendant laquelle l'outil est arrêté et quand il fonctionne au ralenti, ainsi que la durée du déclenchement.

Étiquettes de l'outil

Les pictogrammes ci-dessous se trouvent sur l'appareil :



Attention ! Pour réduire le risque de blessures, l'utilisateur doit lire le manuel d'instructions.



Portez toujours des lunettes de sécurité pour utiliser cet outil.



Portez toujours des protections auditives pour utiliser cet outil.

Sécurité électrique



Cet appareil est doublement isolé. Par conséquent, aucun câble de mise à la terre n'est nécessaire. Vérifiez si l'alimentation mentionnée sur la plaque signalétique de l'outil correspond bien à la tension présente sur le lieu.

- ◆ Si le câble d'alimentation est endommagé, il doit être remplacé par le fabricant ou par un Centre de réparation agréé Stanley Fat Max pour éviter les risques éventuels.

Caractéristiques

Cet outil comprend certains ou tous les éléments suivants.

1. Interrupteur marche/arrêt
2. Poignée latérale
3. Verrou de l'axe
4. Carter de protection de la meule

Assemblage

Attention ! Avant l'assemblage, assurez-vous que l'outil est éteint et débranché.

Installation et retrait de la protection (figure A)

Une protection pour les travaux de meulage et de coupe est fournie avec l'outil. Veuillez à utiliser la protection adéquate pour l'utilisation prévue. Pour les travaux de coupe, une protection spécifique doit être installée (17, Figure F).

Mise en place

- ◆ Placez l'outil sur une table avec l'axe (5) vers le haut.
- ◆ Dégagez le collier de verrouillage (7) et maintenez la protection (4) sur l'outil, comme indiqué.
- ◆ Alignez les goujons (8) avec les encoches (9).
- ◆ Appuyez sur la protection et la tourner dans le sens inverse des aiguilles d'une montre dans la position désirée.
- ◆ Serrez le collier de verrouillage (7) pour fixer la protection sur l'outil.
- ◆ Si nécessaire, serrez la vis (6) pour augmenter la force de serrage.

Retrait

- ◆ Ouvrez le collier de verrouillage (7).
- ◆ Tournez la protection dans le sens des aiguilles d'une montre pour aligner les goujons (8) avec les encoches (9).
- ◆ Retirez la protection de l'outil.

Attention ! N'utilisez jamais l'outil sans protection.

Installation de la poignée latérale

- ◆ Vissez la poignée latérale (2) dans un des trous de montage sur l'outil.

Attention ! Utilisez toujours la poignée latérale

Installation et retrait du disque de coupe ou de ponçage (figures B à D)

Utilisez toujours le type de disque approprié pour le travail à effectuer. Les disques doivent toujours avoir les dimensions de diamètre et de trou appropriées (voir les données techniques).

Mise en place

- ◆ Installez la protection, comme décrit ci-dessus.
- ◆ Placez le flasque intérieur (10) sur l'axe (5) comme indiqué (figure B). Assurez-vous que le flasque est correctement placé sur les côtés plats de l'axe.
- ◆ Placez le disque (11) sur l'axe (5) comme indiqué (figure B). Si le centre (12) du disque est surélevé, assurez-vous que le centre est face au flasque intérieur.
- ◆ Assurez-vous que le disque est correctement placé sur le flasque intérieur.
- ◆ Placez le flasque extérieur (13) sur l'axe. Lors du montage d'un disque de ponçage, le centre surélevé sur le flasque extérieur doit être orienté vers le disque (A dans la figure C). Lors du montage d'un disque de coupe, le centre surélevé sur le flasque extérieur doit être orienté à l'opposé du disque (B dans la figure C).
- ◆ Maintenez le verrou de l'axe (3) enfoncé et serrez le flasque extérieur à l'aide de la clé (14) (figure D).

Retrait

- ◆ Maintenez le verrou de l'axe (3) enfoncé et desserrez le flasque extérieur (13) à l'aide de la clé (14) (figure D).
- ◆ Déplacez le flasque extérieur (13) et le disque (11).

Installation et retrait des disques de ponçage (figures D et E)

Un patin est nécessaire pour le ponçage. Le patin est disponible en tant qu'accessoire auprès de votre concessionnaire Stanley Fat Max.

Mise en place

- ◆ Placez le flasque intérieur (10) sur l'axe (5) comme indiqué (figure E). Assurez-vous que le flasque est correctement placé sur les côtés plats de l'axe.
- ◆ Placez le plateau de ponçage (15) sur l'axe.
- ◆ Placez la feuille de ponçage (16) sur le patin.
- ◆ Installez le flasque extérieur (13) sur l'axe avec le centre surélevé vers l'extérieur du disque.
- ◆ Maintenez le verrou de l'axe (3) enfoncé et serrez le flasque extérieur à l'aide de la clé (14) (figure D). Assurez-vous que le flasque extérieur est correctement installé et que le disque est fermement serré.

Retrait

- ◆ Maintenez le verrou de l'axe (3) enfoncé et desserrez le flasque extérieur (13) à l'aide de la clé (14) (figure D).

- ◆ Déplacez le flasque extérieur (13), le disque abrasif (16) et le patin (15).

Utilisation

Attention ! Laissez l'outil fonctionner à sa propre vitesse. Ne le poussez pas au-delà de sa limite.

- ◆ Prenez les précautions nécessaires pour guider le câble et éviter de le sectionner.
- ◆ Des étincelles se produisent quand le disque de coupe ou de ponçage touche la pièce.
- ◆ Placez toujours l'outil de manière à être protégé au maximum du disque de coupe ou de ponçage.

Mise en marche et arrêt

- ◆ Pour mettre l'outil en marche, glissez le bouton marche/arrêt (1) vers l'avant, puis l'enfoncer. Notez que l'outil continuera de fonctionner en relâchant le bouton.
- ◆ Pour arrêter l'outil, appuyez sur la partie arrière du bouton marche/arrêt.

Attention ! Ne mettez pas l'outil hors tension quand il est sous charge.

Conseils pour une utilisation optimale

- ◆ Maintenez fermement l'outil avec une main autour de la poignée latérale et l'autre main autour de la poignée principale.
- ◆ Pendant le ponçage, maintenez toujours un angle d'environ 15° entre le disque et la surface de la pièce.

Entretien

Votre appareil/outil sans fil/avec fil Stanley Fat Max a été conçu pour fonctionner pendant longtemps avec un minimum d'entretien. Un fonctionnement continu satisfaisant dépend d'un nettoyage régulier et d'un entretien approprié de l'outil.

Attention ! À ne pas oublier avant l'entretien des appareils électriques sans fil/avec fil :

- ◆ Arrêtez l'appareil/outil, puis débranchez-le.
- ◆ Ou, arrêtez l'appareil et retirez la batterie de l'appareil/outil si celui-ci est muni d'un bloc-batterie séparé.
- ◆ Ou bien déchargez complètement la batterie si elle est intégrée au système, puis arrêtez l'appareil (position Off).
- ◆ Débranchez le chargeur avant de le nettoyer. Aucun entretien particulier n'est nécessaire pour le chargeur en dehors du nettoyage régulier.
- ◆ Nettoyez régulièrement les orifices de ventilation de votre appareil/outil/chargeur à l'aide d'une brosse souple ou d'un chiffon sec.
- ◆ Nettoyez régulièrement le compartiment du moteur à l'aide d'un chiffon humide. N'utilisez pas de produit abrasif ou à base de solvant.
- ◆ Ouvrez régulièrement le mandrin et retirez la poussière à l'intérieur en le tapant (si installé).

Remplacement des prises secteur (RUet Irlande uniquement)

Si une nouvelle prise secteur doit être installée :

- ◆ Mettez au rebut la vieille prise.
- ◆ Branchez le fil brun dans la borne de la nouvelle prise.
- ◆ Branchez le fil bleu à la borne neutre.

Attention ! Aucune connexion ne doit être faite à la borne de terre. Suivez les instructions de montage fournies avec les prises de bonne qualité. Fusibles recommandés : 13 A.

Protection de l'environnement



Recyclage. Ce produit ne doit pas être jeté avec les déchets ménagers.

Si votre appareil/outil Stanley Fat Max doit être remplacé ou si vous ne l'utilisez plus, ne le jetez pas avec les ordures ménagères. Songez à la protection de l'environnement et recyclez-le.



La collecte séparée des produits et des emballages usagés permet de recycler et de réutiliser des matériaux.

La réutilisation de matériaux recyclés évite la pollution de l'environnement et réduit la demande de matières premières.

Des réglementations locales peuvent stipuler la collecte séparée des produits électriques et des produits ménagers, dans des déchetteries municipales ou par le revendeur lorsque vous achetez un nouveau produit.

Stanley Europe offre une solution permettant de recycler les produits Stanley Fat Max lorsqu'ils ont atteint la fin de leur cycle de vie. Pour pouvoir profiter de ce service, veuillez retourner votre produit à un réparateur agréé qui se chargera de le collecter pour nous.

Pour connaître l'adresse du réparateur agréé le plus proche de chez vous, contactez le bureau Stanley Europe à l'adresse indiquée dans ce manuel. Vous pourrez aussi trouver une liste de réparateurs agréés par Stanley Europe et de plus amples informations à propos de notre service après-vente sur le site Internet : www.2helpU.com

Caractéristiques techniques

		FME811 (Type 1)	FME812 (Type 1)
Tension d'entrée	V_{ac}	230	230
Puissance	W	850	850
Vitesse à vide	min^{-1}	12,000	12,000
Diamètre de disque	mm	115	125
Trou du disque	mm	22	22
Épaisseur max du disque			
Disques abrasifs	mm	6	6
Disques de coupe	mm	3.5	3.5
Dimension de l'axe		M14	M14
Poids	kg	2.1	2.1

L_{pA} (pression sonore) 94.5 dB(A), incertitude (K) 3 dB(A)
L_{WA} (pression sonore) 105.5 dB(A), incertitude (K) 3 dB(A)
Valeurs totales des vibrations (somme vectorielle triaxiale) selon la norme EN 60745 :
Surface de ponçage ($a_{h,SG}$) 9.9 m/s^2 , incertitude (K) 1.5 m/s^2
Coupe ($a_{h,P}$) 9.1 m/s^2 , incertitude (K) 1.5 m/s^2
Polissage ($a_{h,P}$) 5.0 m/s^2 , incertitude (K) 1.5 m/s^2
Disque de ponçage ($a_{h,DS}$) 3.3 m/s^2 , incertitude (K) 1.5 m/s^2
Brossage métallique ($a_{h,P}$) 9.2 m/s^2 , incertitude (K) 1.5 m/s^2

Déclaration de conformité CE

CONSIGNES DE MACHINERIE



FME811 / FME812

Stanley Europe confirme que les produits décrits dans les « Caractéristiques techniques » sont conformes aux normes : 2006/42/CE, EN 60745-1, EN 60745-2-3

Ces produits sont conformes aux Directives 2004/108/CE et 2011/65/UE. Pour plus de détails, veuillez contacter Stanley Europe à l'adresse suivante ou reportez-vous au dos du manuel.

Le soussigné est responsable des données de la fiche technique et fait cette déclaration au nom de Stanley Europe.

Kevin Hewitt
Vice-Président - ingénierie internationale
Stanley Europe, Egide Walschaertsstraat 14-18,
2800 Malines, Belgique
19/04/2013

Garantie

Stanley Europe assure la qualité de ses produits et offre aux utilisateurs professionnels une garantie très élargie. Ce certificat de garantie est un document supplémentaire et ne peut en aucun cas se substituer à vos droits contractuels en tant qu'utilisateur privé non professionnel. La garantie est valable sur tout le territoire des États Membres de l'Union Européenne et de la Zone de Libre Échange Européenne.

GARANTIE TOTALE UN AN

Si un produit Stanley Fat Max s'avère défectueux en raison de matériaux en mauvais état ou d'une erreur humaine dans les 12 mois suivant la date d'achat, Stanley Europe garantit le remplacement gratuit ou – à sa discrétion - des pièces défectueuses si :

- ◆ Le produit a été correctement utilisé et a été utilisé en respectant les instructions du manuel.
- ◆ L'usure du produit est normale ;
- ◆ Les réparations ont été effectuées par des personnes agréées ;
- ◆ Une preuve d'achat est donnée ;
- ◆ Le produit Stanley Fat Max est réexpédié avec tous les composants d'origine.

Pour toutes réclamations, recherchez l'adresse du réparateur agréé Stanley le plus proche de chez vous dans le catalogue Fat Max ou contactez le bureau local Stanley à l'adresse indiquée dans ce manuel. Une liste de réparateurs agréés Fat Max et de plus amples détails sur notre service après-vente sont disponibles sur le site Internet www.stanley.eu/3

Uso previsto

La smerigliatrice angolare Stanley Fat Max è stata progettata per smerigliare e tagliare il metallo e le murature usando il corretto tipo di disco di taglio o di smerigliatura. Una volta adattato con la protezione appropriata, questo strumento è destinato a professionisti e private, gli utenti non professionali.

Istruzioni di sicurezza

Avvisi di sicurezza generici per gli elettroutensili



Avvertenza! Leggere tutti gli avvisi di sicurezza e tutte le istruzioni. La mancata osservazione dei presenti avvisi e istruzioni potrebbe causare scosse elettriche, incendi e/o infortuni gravi.

Conservare tutte le istruzioni e le avvertenze per futura consultazione. Il termine "elettrotensile" che ricorre in tutti gli avvisi seguenti si riferisce ad utensili elettrici con o senza filo.

1. Sicurezza nella zona di lavoro

- a. **Mantenere pulita e bene illuminata la zona di lavoro.** Il disordine o la scarsa illuminazione possono causare incidenti.
- b. **Evitare d'impiegare gli elettroutensili in ambienti esposti al rischio di esplosione, ad esempio in presenza di liquidi, gas o polveri infiammabili.** Gli elettroutensili producono scintille che possono far infiammare la polvere o i fumi.
- c. **Mantenere lontani bambini e osservatori mentre si usa l'elettrotensile.** Eventuali distrazioni possono comportare la perdita del controllo dell'elettrotensile.

2. Sicurezza elettrica

- a. **Le spine elettriche degli elettroutensili devono essere adatte alla presa. Evitare assolutamente di modificare la spina elettrica. Non usare adattatori con elettroutensili provvisti di messa a terra.** L'uso di spine inalterate e delle prese corrispondenti riduce il rischio di scosse elettriche.
- b. **Evitare il contatto fisico con superfici collegate a terra, come tubi, radiatori, forni e frigoriferi.** Un corpo collegato a terra è esposto maggiormente al rischio di scosse elettriche.
- c. **Custodire gli elettroutensili al riparo dalla pioggia o dall'umidità.** L'eventuale infiltrazione di acqua in un elettroutensile va ad aumentare il rischio di scosse elettriche.

- d. **Non utilizzare il cavo in modo improprio. Non usare il cavo per trasportare o trainare l'elettrotensile e non tirarlo per estrarre la spina dalla presa di corrente. Mantenere il cavo al riparo da calore, olio, bordi taglienti e/o da parti in movimento.** I cavi danneggiati o aggrovigliati aumentano il rischio di scosse elettriche.
- e. **Se l'elettrotensile viene adoperato all'aperto, usare esclusivamente prolunghes omologate per l'impiego all'esterno.** Un cavo adatto per uso esterno riduce il rischio di scosse elettriche.
- f. **Se non è possibile evitare di lavorare in una zona umida, usare un'alimentazione elettrica protetta da un dispositivo a corrente residua (RCD).** L'uso di un dispositivo RCD riduce il rischio di scosse elettriche.

3. Sicurezza delle persone

- a. **È importante concentrarsi su ciò che si sta facendo e maneggiare con giudizio l'elettrotensile. Non adoperare l'elettrotensile se si è stanchi o sotto l'effetto di stupefacenti, alcol o medicinali.** Un attimo di distrazione durante l'uso dell'elettrotensile può causare gravi infortuni personali.
- b. **Utilizzare un equipaggiamento di protezione personale. Indossare sempre occhiali di sicurezza.** Se si avrà cura d'indossare l'equipaggiamento protettivo necessario, ad esempio una maschera antipolvere, delle calzature antiscivolo, un casco o delle otoprotezioni, si ridurrà il rischio di infortuni.
- c. **Impedire l'avviamento involontario. Accertarsi che l'interruttore di accensione sia spento prima di collegare l'elettrotensile all'alimentazione elettrica e/o al battery pack, di prenderlo in mano o di trasportarlo.** Per non esporsi al rischio di incidenti, non trasportare gli elettroutensili tenendo le dita sull'interruttore oppure, se sono collegati a un'alimentazione elettrica, con l'interruttore acceso.
- d. **Prima di accendere un elettrotensile, togliere eventuali chiavi o attrezzi di regolazione.** Un attrezzo o una chiave lasciati in un componente mobile dell'elettrotensile possono causare infortuni.
- e. **Non piegarsi eccessivamente in avanti. Mantenere sempre un buon equilibrio evitando posizioni instabili.** In questo modo è possibile controllare meglio l'elettrotensile in situazioni inaspettate.
- f. **Vestirsi adeguatamente. Evitare di indossare indumenti larghi o gioielli. Tenere capelli, capi di vestiario e guanti lontani da parti in movimento.** Indumenti larghi, gioielli o capelli lunghi possono impigliarsi nelle parti in movimento.

g. **Se gli elettroutensili sono provvisti di attacchi per il collegamento di dispositivi di aspirazione o di raccolta della polvere, assicurarsi che questi siano installati e utilizzati correttamente.** L'impiego di dispositivi di raccolta della polvere diminuisce i rischi relativi alle polveri.

4. Uso e cura degli elettroutensili

- a. **Non sovraccaricare l'elettroutensile.** Usare l'elettroutensile adatto al lavoro da eseguire. Utilizzando l'elettroutensile adatto si potrà lavorare meglio e con maggiore sicurezza alla potenza nominale prevista.
- b. **Non utilizzare elettroutensili con interruttori difettosi.** Un elettroutensile che non può essere controllato mediante l'interruttore è pericoloso e deve essere riparato.
- c. **Scollegare la spina dalla presa di corrente e/o il battery pack dall'elettroutensile prima di regolarlo, di sostituire gli accessori o di riparlo.** Queste precauzioni di sicurezza riducono la possibilità che l'elettroutensile sia messo in funzione inavvertitamente.
- d. **Quando non sono usati, gli elettroutensili devono essere custoditi fuori della portata dei bambini. Non consentire l'uso dell'elettroutensile a persone inesperte o che non abbiano letto le presenti istruzioni.** Gli elettroutensili risultano pericolosi se usati da persone inesperte.
- e. **Sottoporre gli elettroutensili alle necessarie procedure di manutenzione.** Verificare che le parti mobili siano bene allineate e non inceppate, che non vi siano componenti rotti e che non sussistano altre condizioni che possono compromettere il funzionamento dell'elettroutensile. In caso di danni, riparare l'elettroutensile prima dell'uso. La scarsa manutenzione causa molti incidenti.
- f. **Mantenere affilati e puliti gli utensili da taglio.** Se sottoposti alla giusta manutenzione, gli strumenti da taglio con taglienti affilati s'inceppano meno frequentemente e sono più facili da manovrare.
- g. **Utilizzare l'elettroutensile, gli accessori e le punte in conformità delle presenti istruzioni, tenendo conto delle condizioni di lavoro e del lavoro da completare.** L'impiego dell'elettroutensile per usi diversi da quelli consentiti può dar luogo a situazioni pericolose.

5. Riparazioni

- a. **Fare riparare l'elettroutensile solo ed esclusivamente da personale specializzato e solo impiegando pezzi di ricambio originali,** onde non alterarne la sicurezza.

Altri avvisi di sicurezza per gli elettroutensili



Avvertenza! Addizionali avvisi di sicurezza per le operazioni di smerigliatura, levigatura, spazzolatura con spazzola di acciaio, lucidatura o taglio con abrasivo

- ◆ **Questo elettroutensile è stato progettato per funzionare come smerigliatrice, levigatrice, spazzola in acciaio, lucidatrice o utensile da taglio.** Consultare tutti gli avvisi di sicurezza, le istruzioni, le illustrazioni e i dati tecnici forniti con questo elettroutensile. La mancata osservazione delle presenti istruzioni potrebbe causare scosse elettriche, incendi e/o infortuni gravi.
- ◆ **Se usato per operazioni per le quali non è stato progettato, l'elettroutensile potrebbe diventare pericoloso e causare lesioni personali.**
- ◆ **Non usare accessori che non sono stati progettati e consigliati in modo specifico dal fabbricante dell'elettroutensile.** Il fatto che un accessorio possa essere montato sul proprio elettroutensile non ne garantisce un funzionamento sicuro.
- ◆ **La velocità nominale dell'accessorio deve essere almeno pari a quella massima riportata sull'elettroutensile.** Gli accessori che funzionano a una velocità superiore a quella nominale, possono rompersi e volare via.
- ◆ **Il diametro esterno e lo spessore dell'accessorio devono rientrare nel valore della capacità nominale dell'elettroutensile.** Gli accessori di misura sbagliata non possono essere protetti o controllati in modo adeguato.
- ◆ **La misura dell'albero di dischi, flange, tamponi di rinforzo o di qualsiasi altro accessorio deve essere quella giusta per il mandrino dell'elettroutensile.** Gli accessori con fori dell'alberino che non combaciano con gli attacchi dell'elettroutensile funzioneranno in modo sbilanciato, vibreranno eccessivamente e possono causare la perdita di controllo.
- ◆ **Non usare accessori danneggiati.** Prima di ogni impiego, verificare che i dischi abrasivi non siano scheggiati o incrinati, che i tamponi di rinforzo non siano incrinati, strappati o eccessivamente usurati, che le spazzole in acciaio non siano allentate o con i fili in acciaio incrinati. Se l'elettroutensile o l'accessorio cadono, verificare che non abbiano subito danni oppure installare un accessorio non danneggiato. Dopo aver ispezionato e installato un accessorio, far funzionare l'elettroutensile alla velocità massima a vuoto per un minuto. Gli accessori danneggiati si dovrebbero normalmente spezzare durante questo periodo di prova.

- ◆ **Usare l'equipaggiamento di protezione personale. A seconda dell'applicazione, usare una maschera e occhiali di sicurezza. Se richiesto, indossare mascherine antipolvere, otoprotezioni, guanti e grembiuli d'officina in grado di fermare piccoli pezzi o frammenti abrasivi.** Gli occhiali di protezione devono essere in grado di fermare le schegge volanti generate dalle varie operazioni. La mascherina antipolvere o il respiratore devono essere in grado di filtrare le particelle generate dall'operazione eseguita. L'esposizione prolungata a rumori molto intensi può causare la perdita dell'udito.
- ◆ **Mantenere gli osservatori a una distanza di sicurezza dall'area di lavoro. Chi entra nell'area di lavoro deve indossare un equipaggiamento di protezione personale.** Frammenti di un pezzo o di un accessorio frantumato potrebbero volare via e causare lesioni anche a una certa distanza dalla zona di lavoro immediata.
- ◆ **Tenere l'elettroutensile solo afferrando le impugnature isolate se si sta eseguendo un'operazione dove esiste la possibilità che la punta del trapano possa venire a contatto di cavi nascosti o del filo di alimentazione.** Il contatto tra la punta da trapano e un filo sotto tensione mette sotto tensione le parti metalliche esposte dell'elettroutensile e potrebbe esporre l'operatore a scosse elettriche.
- ◆ **Posizionare il filo di alimentazione lontano dall'accessorio rotante.** Se si perde il controllo, il filo di alimentazione potrebbe tagliarsi o impigliarsi e la mano e il braccio dell'operatore potrebbero essere attirati verso l'accessorio rotante.
- ◆ **Non appoggiare mai un elettroutensile prima che si sia totalmente fermato.** L'accessorio rotante potrebbe afferrare la superficie e tirare l'elettroutensile fuori dalla mano dell'operatore.
- ◆ **Non far funzionare l'elettroutensile mentre lo si trasporta tenendolo lungo il fianco.** Il contatto accidentale con l'accessorio rotante potrebbe farlo impigliare nell'abbigliamento, attirando l'elettroutensile contro il corpo.
- ◆ **Pulire regolarmente gli sfianti dell'aria dell'elettroutensile.** La ventola del motore attira la polvere all'interno dell'alloggiamento e un accumulo eccessivo di metallo polverizzato potrebbe causare rischi elettrici.
- ◆ **Non far funzionare l'elettroutensile nelle vicinanze di materiali infiammabili.** Le scintille potrebbero incendiare tali materiali.
- ◆ **Non usare accessori che richiedono l'uso di liquidi refrigeranti.** L'uso di acqua o di altri liquidi refrigeranti potrebbe causare l'elettrocuzione o scosse elettriche.

Nota: Il suddetto avviso non è inteso per gli elettroutensili progettati in modo specifico per essere usati con un impianto a base di liquido.

Contraccolpi e avvisi in merito

Il contraccolpo è la reazione che si avverte immediatamente se un disco rotante, un tampone di rinforzo, una spazzola o qualsiasi altro accessorio si inceppano o si impigliano. L'inceppamento o l'impigliamento causano il bloccaggio rapido dell'accessorio rotante, che a sua volta spinge l'elettroutensile, non più controllato, in direzione opposta a quella di rotazione dell'accessorio nel punto in cui era rimasto inceppato.

Ad esempio, se un disco abrasivo si impiglia o rimane inceppato nel pezzo, il bordo del disco che sta penetrando nel punto di inceppamento potrebbe conficcarsi nella superficie del materiale causando la fuoriuscita o l'espulsione del disco stesso. Il disco potrebbe saltare verso l'operatore, o dalla parte opposta, a seconda della direzione del movimento del disco nel punto di inceppamento.

Anche i dischi abrasivi potrebbero rompersi in queste condizioni.

Un contraccolpo è la conseguenza di un utilizzo non appropriato oppure non corretto dell'elettroutensile. Esso può essere evitato soltanto adottando le misure di sicurezza idonee come descritto di seguito.

- ◆ **Mantenere una presa salda sull'elettroutensile e posizionare il corpo e il braccio in un modo tale da poter resistere alle forze del contraccolpo. Usare sempre l'impugnatura ausiliaria, se presente, per avere il massimo controllo in caso di contraccolpi o di reazione di coppia all'avviamento.** L'operatore è in grado di resistere alla forza esercitata da eventuali reazioni di coppia o contraccolpi se adotta le misure del caso.
- ◆ **Non appoggiare mai la mano vicino all'accessorio rotante.** L'accessorio potrebbe dare un contraccolpo alla mano.
- ◆ **Non posizionare il corpo nella zona verso la quale l'elettroutensile potrebbe spostarsi in caso di contraccolpo.** Il contraccolpo potrebbe lanciare l'elettroutensile nella direzione opposta a quella di rotazione del disco nel momento in cui si incastra.
- ◆ **Prestare particolare quando si lavora negli angoli, su bordi aguzzi e così via, evitando di far saltellare e di incastrare l'accessorio.** Gli angoli, i bordi taglienti o il saltellamento tendono a far impigliare l'accessorio rotante e causano la perdita di controllo o dei contraccolpi.
- ◆ **Non montare una catena da sega, una lama da intaglio o una lama di sega dentata.** Tali lame causano contraccolpi frequenti e la perdita di controllo.

Avvisi di sicurezza specifici per le operazioni di smerigliatura e di taglio con abrasivo

- ◆ **Usare solo dischi di tipo consigliato per l'elettrotensile in oggetto e protezioni anch'esse progettate in modo specifico per il disco selezionato.** Dischi diversi da quelli appositamente progettati per l'elettrotensile non possono essere protetti in modo idoneo e sono pericolosi.
- ◆ **La protezione deve essere fissata in modo saldo all'elettrotensile e posizionata per garantire la massima sicurezza, in modo che una quantità minima di disco sia esposto verso l'operatore.** La protezione aiuta a proteggere l'operatore dai frammenti, se il disco si dovesse spezzare, e dal contatto accidentale con lo stesso.
- ◆ **I dischi devono essere usati solo per le applicazioni consigliate. Ad esempio: non smerigliare con il lato di un disco di taglio.** I dischi di taglio abrasivi sono stati progettati per la smerigliatura periferica, eventuali forze laterali esercitate su questi dischi potrebbero causarne la frantumazione.
- ◆ **Usare sempre flange di dischi non danneggiate che sono di misura e forma corrette per il disco selezionato.** Delle flange corrette sorreggono il disco riducendo in tal modo la possibilità di rottura dello stesso. Le flange dei dischi di taglio possono essere diverse da quelle dei dischi di smerigliatura.
- ◆ **Non usare dischi usurati che erano appartenuti a elettrotensili di maggiori dimensioni.** I dischi progettati per elettrotensili di maggiori dimensioni non sono adatti alla velocità più alta degli elettrotensili più piccoli e potrebbero frantumarsi.

Addizionali avvisi di sicurezza specifici per le operazioni di taglio con abrasivo

- ◆ **Non inceppare il disco di taglio e non esercitare una pressione eccessiva. Non cercare di effettuare un taglio troppo profondo.** Una sollecitazione eccessiva del disco aumenta il carico e la suscettibilità del disco stesso a piegarsi o a incepparsi nel taglio con la possibilità di contraccolpi o di rottura del disco.
- ◆ **Non posizionare il corpo in linea con il disco rotante e neppure dietro di esso.** Un eventuale contraccolpo mentre il disco, durante il funzionamento, si sta allontanando dal corpo dell'operatore, potrebbe lanciare il disco rotante e l'elettrotensile direttamente verso l'operatore.

- ◆ **Se il disco si inceppa, oppure quando, per una qualsiasi ragione, si interrompe l'operazione di taglio, spegnere l'elettrotensile e tenerlo fermo nel pezzo fino a quando il disco di arresta del tutto. Non tentare mai di rimuovere il disco di taglio dal taglio quando sta ancora ruotando, dato che facendolo si potrebbe causare un contraccolpo.** Indagare la causa dell'inceppamento del disco e adottare il necessario intervento correttivo per eliminarla.
- ◆ **Non riprendere l'operazione di taglio nel pezzo.** Lasciare che il disco raggiunga la massima velocità e rientrare con attenzione nel taglio. Il disco potrebbe incepparsi, spostarsi o dare un contraccolpo se l'elettrotensile viene fatto ripartire nel pezzo.
- ◆ **Sorreggere i pannelli o i pezzi di grandi dimensioni per contenere al massimo il rischio che il disco si inceppi e causi un contraccolpo.** I pezzi più grandi tendono a incurvarsi sotto il loro peso. Infilare dei supporti sotto il pezzo vicino alla linea di taglio e al bordo del pezzo da ambo i lati del disco.
- ◆ **Prestare una maggiore attenzione quando si pratica un "taglio di cavità" in pareti esistenti o in altre zone con scarsa visibilità.** Il disco sporgente potrebbe tagliare i tubi del gas o dell'acqua, i fili elettrici o altri oggetti che possono causare un contraccolpo.

Avvisi di sicurezza specifici per le operazioni di levigatura

- ◆ **Non usare dischi di levigatura di dimensioni maggiori. Seguire i consigli del fabbricante quando si sceglie la carta vetrata.** Dei dischi di carta vetrata che sporgono dal tampone di levigatura presentano il rischio di lacerazioni e potrebbero causare l'impigliamento o lo strappo del disco o un contraccolpo.

Avvisi di sicurezza specifici per le operazioni di lucidatura

- ◆ **Non lasciare che parti allentate della cuffia di lucidatura oppure le cordicelle di fissaggio girino liberamente. Riporre o tagliare via le cordicelle di fissaggio troppo lunghe.** Delle cordicelle di fissaggio troppo lunghe e che girano liberamente potrebbero attorcigliarsi sulle dita dell'operatore o impigliarsi sul pezzo.

Avvisi di sicurezza specifici per le operazioni con la spazzola in acciaio

- ◆ **Essere consapevoli del fatto che la spazzola potrebbe far volare via i fili in acciaio perfino durante il funzionamento normale. Non sollecitare eccessivamente i fili in acciaio esercitando un carico eccessivo sulla spazzola.** I fili in acciaio potrebbero penetrare facilmente nell'abbigliamento leggero e/o nell'epidermide.

- ◆ **Se è consigliato l'uso di una protezione per la spazzolatura con spazzola in acciaio, non lasciare che la spazzola o il disco in acciaio vengano a contatto della protezione.** Il diametro del disco o della spazzola in acciaio potrebbe aumentare a causa del carico di lavoro e delle forze centrifughe.

Sicurezza altrui

- ◆ Questo elettrotensile non è stato progettato per impiego da parte di persone (o bambini) portatrici di handicap fisici, psichici o sensoriali o che non abbiano la dovuta esperienza o conoscenza, a meno che non siano seguite o opportunamente istruite sul suo impiego da parte di una persona responsabile della loro sicurezza.
- ◆ Controllare che i bambini non giochino con l'elettrotensile.

Rischi residui.

Quando si usa l'elettrotensile, possono esservi altri rischi residui che possono non essere stati contemplati negli avvisi di sicurezza allegati. Tali rischi possono sorgere a seguito di un uso prolungato o improprio, ecc.

Perfino adottando gli appositi regolamenti di sicurezza e utilizzando i dispositivi di sicurezza, certi rischi residui non possono essere evitati. Essi comprendono:

- ◆ **Lesioni causate o subite a seguito del contatto con parti rotanti/in movimento.**
- ◆ **Lesioni causate o subite durante la sostituzione di parti, lame o accessori.**
- ◆ **Lesioni causate dall'impiego prolungato di un elettrotensile. Quando si usa qualsiasi elettrotensile per lunghi periodi, accertarsi di fare regolarmente delle pause.**
- ◆ **Problemi di udito.**
- ◆ **Rischi per la salute causati dall'aspirazione di polvere generata dall'utilizzo dell'elettrotensile (ad esempio quando si lavora con il legno, in modo particolare quello di quercia, faggio o l'MDF.)**

Vibrazioni

I valori dichiarati delle emissioni di vibrazioni al paragrafo Dati tecnici e nella Dichiarazione di conformità del presente manuale sono stati misurati in base al metodo di test standard previsto dalla normativa EN 60745 e possono essere usati come parametri di confronto tra due utensili. Il valore delle emissioni di vibrazioni dichiarato può anche essere usato come valutazione preliminare dell'esposizione.

Avvertenza! Il valore delle emissioni di vibrazioni durante l'impiego effettivo dell'elettrotensile può variare da quello dichiarato a seconda delle modalità d'uso. Il livello delle vibrazioni può aumentare oltre quello dichiarato.

Quando si valuta l'esposizione alle vibrazioni per determinare le misure di sicurezza richieste, in conformità alla normativa 2002/44/CE e destinata alla protezione delle persone che usano regolarmente gli elettrotensili nello svolgimento delle proprie mansioni, è necessario prendere in considerazione le condizioni effettive di utilizzo e il modo in cui l'utensile è usato, oltre a tenere in conto tutte le componenti del ciclo operativo, vale a dire i periodi in cui l'elettrotensile è spento, quelli in cui è acceso, ma a riposo e quelli in cui è effettivamente utilizzato.

Etichette sull'elettrotensile

Sull'elettrotensile appaiono i seguenti pittogrammi:



Avvertenza! Per ridurre il rischio di infortuni, l'utente deve leggere il manuale d'uso.



Indossare occhiali di sicurezza quando si usa l'elettrotensile.



Indossare otoprotezioni quando si usa questo elettrotensile.

Sicurezza elettrica



Il doppio isolamento di cui è provvisto l'elettrotensile rende superfluo il filo di terra. Controllare sempre che l'alimentazione corrisponda alla tensione indicata sulla targhetta dei dati tecnici.

- ◆ In caso di danneggiamento del filo di alimentazione, è necessario farlo riparare dal fabbricante o presso un centro assistenza Stanley Fat Max autorizzato in modo da evitare eventuali pericoli.

Caratteristiche

Questo elettrotensile presenta alcune o tutte le seguenti caratteristiche.

1. Interruttore di accensione
2. Impugnatura laterale
3. Blocco alberino
4. Protezione per smerigliatura

Montaggio

Avvertenza! Prima di montare l'elettrotensile, assicurarsi che sia spento e scollegato dalla presa di corrente.

Montaggio e smontaggio della protezione (fig. A)

L'elettrotensile è dotato di protezione adatta solo la smerigliatura e il taglio. Accertarsi di usare la protezione corretta per l'utilizzo desiderato. Se deve invece essere usato per il taglio, è necessario montare una protezione specifica, idonea a tale operazione (17, Fig F).

Montaggio

- ◆ Appoggiare l'elettrotensile su di un tavolo, con l'alberino (5) rivolto verso l'alto.
- ◆ Rilasciare il gancio di serraggio (7) e tenere la protezione (4) sopra l'elettrotensile come illustrato.
- ◆ Allineare le linguette (8) alle tacche (9).
- ◆ Premere la protezione verso il basso e ruotarla in senso antiorario fino alla posizione richiesta.
- ◆ Serrare il gancio di serraggio (7) per fissare la protezione sull'elettrotensile.
- ◆ Se necessario, serrare la vite (6) per aumentare la forza di serraggio.

Distacco

- ◆ Rilasciare il gancio di serraggio (7).
- ◆ Ruotare la protezione in senso orario per allineare le linguette (8) alle tacche (9).
- ◆ Rimuovere la protezione dall'elettrotensile.

Avvertenza! Non usare mai l'elettrotensile senza la protezione.

Montaggio dell'impugnatura laterale

- ◆ Avvitare l'impugnatura laterale (2) in uno dei fori di fissaggio nell'elettrotensile.

Avvertenza! Usare sempre l'impugnatura laterale.

Montaggio e rimozione dei dischi di smerigliatura o di taglio (fig. B - D)

Usare sempre il corretto tipo di disco per l'applicazione in oggetto. Usare sempre dischi con diametro e alesaggio di misura corretta (vedere i dati tecnici).

Montaggio

- ◆ Montare la protezione come descritto qui sopra.
- ◆ Appoggiare la flangia interna (10) sull'alberino (5) come illustrato (fig. B). Verificare che la flangia sia correttamente situata sui lati piatti dell'alberino.
- ◆ Appoggiare il disco (11) sull'alberino (5) come illustrato (fig. B). Se il disco ha un centro rialzato (12), accertarsi che sia rivolto verso la flangia interna.
- ◆ Verificare che il disco si centri correttamente sulla flangia interna.
- ◆ Appoggiare la flangia esterna (13) sull'alberino. Quando si monta un disco di smerigliatura, il centro sollevato sulla flangia esterna deve essere rivolto verso il disco (A in fig. C). Quando si monta un disco di taglio, il centro sollevato sulla flangia esterna deve essere rivolto dalla parte opposta al disco (B in fig. C).
- ◆ Tenere premuto il blocco dell'alberino (3) e serrare la flangia esterna usando la chiave a due perni (14) (fig. D).

Distacco

- ◆ Tenere premuto il blocco dell'alberino (3) e allentare la flangia esterna (13) usando la chiave a due perni (14) (fig. D).
- ◆ Rimuovere la flangia esterna (13) e il disco (11).

Montaggio e rimozione dei dischi di levigatura (fig. D ed E)

Per la levigatura, è necessario usare un tampone di rinforzo. Tale tampone di rinforzo è reperibile quale accessorio presso il rivenditore Stanley Fat Max di zona.

Montaggio

- ◆ Appoggiare la flangia interna (10) sull'alberino (5) come illustrato (fig. E). Verificare che la flangia sia correttamente situata sui lati piatti dell'alberino.
- ◆ Infilare il tampone di rinforzo (15) sull'alberino.
- ◆ Posizionare il disco di levigatura (16) sul tampone di rinforzo.
- ◆ Appoggiare la flangia esterna (13) sull'alberino con il centro sollevato rivolto dalla parte opposta al disco.
- ◆ Tenere premuto il blocco dell'alberino (3) e serrare la flangia esterna usando la chiave a due perni (14) (fig. D). Verificare che la flangia esterna sia montata correttamente e che il disco sia serrato saldamente.

Distacco

- ◆ Tenere premuto il blocco dell'alberino (3) e allentare la flangia esterna (13) usando la chiave a due perni (14) (fig. D).
- ◆ Smontare la flangia esterna (13), il disco di levigatura (16) e il tampone di rinforzo (15).

Utilizzo

Avvertenza! Lasciare che l'elettrotensile funzioni al suo ritmo. Non sovraccaricarlo.

- ◆ Stendere con attenzione il cavo per evitare di tagliarlo accidentalmente.
- ◆ Aspettarsi tutta una serie di scintille quando il disco di smerigliatura o di taglio tocca il pezzo.
- ◆ Posizionare sempre l'elettrotensile in modo tale che la protezione protegga in modo ottimale dal disco di smerigliatura o di taglio.

Accensione e spegnimento

- ◆ Per accendere l'elettrotensile, far scorrere in avanti l'interruttore di accensione (1) e quindi premerlo. Tenere presente che l'elettrotensile continuerà a funzionare quando si rilascia l'interruttore.
- ◆ Per spegnere l'elettrotensile, premere la parte posteriore dell'interruttore di accensione.

Avvertenza! Non spegnere l'elettrotensile quando è sotto carico.

Consigli per un utilizzo ottimale

- ◆ Tenere saldamente l'elettrotensile con una mano sull'impugnatura laterale e l'altra su quella principale.
- ◆ Durante la smerigliatura, mantenere sempre un angolo di 15° circa tra il disco e la superficie del pezzo.

Manutenzione

Questo apparecchio/elettrotensile Stanley Fat Max con o senza filo è stato progettato per funzionare a lungo con una manutenzione minima. Per ottenere prestazioni sempre soddisfacenti occorre avere cura dell'elettrotensile e sottoporlo a pulizia periodica.

Avvertenza! Prima di eseguire interventi di manutenzione su elettrotensili con o senza filo procedere come descritto di seguito.

- ◆ Spegnerne e scollegare l'apparecchio/elettrotensile dalla presa di corrente.
- ◆ Oppure spegnere ed estrarre la batteria se l'apparecchio/elettrotensile è dotato di battery pack a parte.
- ◆ Oppure scaricare completamente la batteria se è di tipo integrale e quindi spegnerlo.
- ◆ Scollegare l'alimentatore dalla presa di corrente prima di pulirlo. L'alimentatore non richiede nessuna manutenzione salvo una regolare pulizia.
- ◆ Pulire regolarmente le prese di ventilazione dell'apparecchio/elettrotensile/alimentatore con un pennello o con un panno morbido e asciutto.
- ◆ Il vano del motore deve essere pulito regolarmente con un panno umido. Non usare materiali abrasivi o detergenti a base di solventi.
- ◆ Aprire regolarmente il mandrino portapunta e batterlo leggermente per eliminare la polvere dall'interno (se in dotazione).

Sostituzione della spina (solo Regno Unito e Irlanda)

Se è necessario montare una nuova spina,

- ◆ smaltire in tutta sicurezza quella vecchia.
- ◆ Collegare il filo marrone al morsetto sotto tensione della nuova spina.
- ◆ Collegare il filo blu al morsetto neutro.

Avvertenza! Non effettuare nessun collegamento sul morsetto di terra. Seguire le istruzioni fornite con le spine di buona qualità. Fusibile consigliato: 13 A.

Protezione dell'ambiente



Raccolta differenziata. Questo prodotto non deve essere smaltito con i normali rifiuti domestici.

Nel caso in cui l'elettrotensile Stanley Fat Max debba essere sostituito o non sia più necessario, non smaltirlo con i normali rifiuti domestici. Metterlo da parte per la raccolta differenziata.



La raccolta differenziata dei prodotti e degli imballaggi utilizzati consente il riciclaggio dei materiali e il loro continuo utilizzo.

Il riutilizzo dei materiali riciclati favorisce la protezione dell'ambiente prevenendo l'inquinamento e riduce il fabbisogno di materie prime.

Seguire la regolamentazione locale per la raccolta differenziata dei prodotti elettrici che può prevedere punti di raccolta o la consegna dell'elettrotensile al rivenditore presso il quale viene acquistato un nuovo prodotto.

Stanley Europe offre ai propri clienti la possibilità di riciclare i prodotti Stanley Fat Max che hanno esaurito la loro vita di servizio. Per usufruire di tale servizio, è sufficiente restituire il prodotto a qualsiasi tecnico autorizzato, incaricato della raccolta per conto dell'azienda.

Per individuare il tecnico autorizzato più vicino, rivolgersi alla sede Stanley Europe locale, presso il recapito indicato nel presente manuale. Altrimenti, un elenco completo di tutti i tecnici autorizzati Stanley Europe e i dettagli completi sui contatti e i servizi post-vendita sono disponibili su Internet all'indirizzo: www.2helpU.com

Dati tecnici

		FME811 (Tipo 1)	FME812 (Tipo 1)
Tensione in ingresso	V_{ac}	230	230
Potenza assorbita	W	850	850
Regime a vuoto	min^{-1}	12,000	12,000
Diametro disco	mm	115	125
Alesaggio disco	mm	22	22
Spessore max. disco			
Dischi di smerigliatura	mm	6	6
Dischi di taglio	mm	3.5	3.5
Misura albero		M14	M14
Peso	kg	2.1	2.1

L_{pA} (pressione sonora) 94.5 dB(A), incertezza (K) 3 dB(A)
L_{WA} (pressione acustica) 105.5 dB(A), incertezza (K) 3 dB(A)
Valori totali vibrazioni (somma vettoriale triassiale) in base a EN 60745:
Smerigliatura superficiale ($a_{h,SG}$) 9.9 m/s ² , incertezza (K) 1.5 m/s ²
Taglio ($a_{h,p}$) 9.1 m/s ² , incertezza (K) 1.5 m/s ²
Lucidatura ($a_{h,p}$) 5.0 m/s ² , incertezza (K) 1.5 m/s ²
Levigatura a disco ($a_{h,DS}$) 3.3 m/s ² , incertezza (K) 1.5 m/s ²
Spazzolatura con spazzola in acciaio ($a_{h,p}$) 9.2 m/s ² , incertezza (K) 1.5 m/s ²

Dichiarazione di conformità CE

DIRETTIVA SUI MACCHINARI



FME811 / FME812

Stanley Europe dichiara che questi prodotti descritti al paragrafo "Dati tecnici" sono conformi a:
2006/42/CE, EN 60745-1, EN 60745-2-3

Questi prodotti sono conformi alla Direttiva 2004/108/CE e 2011/65/UE. Per ulteriori informazioni contattare Stanley Europe al seguente indirizzo oppure consultare l'ultima di copertina del manuale.

Il sottoscritto è responsabile della redazione di questo documento tecnico e rilascia questa dichiarazione per conto di Stanley Europe.

Kevin Hewitt
Vice-President Global Engineering
Stanley Europe, Egide Walschaertsstraat 14-18,
2800 Mechelen, Belgio
19/04/2013

Garanzia

Certa della qualità dei suoi prodotti, Stanley Europe offre una garanzia eccezionale agli utenti professionali di questo prodotto. Il presente certificato di garanzia è complementare ai diritti contrattuali come utente privato non professionale e non li pregiudica in alcun modo. La garanzia è valida entro il territorio degli Stati membri dell'Unione Europea e dell'EFTA (European Free Trade Area).

GARANZIA TOTALE DI UN ANNO

Se un prodotto Stanley Fat Max risulta difettoso per qualità del materiale, della costruzione o per mancata conformità entro 12 mesi dalla data di acquisto, Stanley Europe garantisce, a sua discrezione, la sostituzione gratuita di tutte le parti difettose oppure la sostituzione gratuita del prodotto sempre che:

- ◆ il prodotto non sia stato usato in modo improprio ma bensì in conformità al manuale d'uso;
- ◆ il prodotto sia stato usato in modo ragionevole;
- ◆ il prodotto non sia stato sottoposto a riparazioni da parte di persone non autorizzate;
- ◆ venga fornita la prova comprovante l'acquisto;
- ◆ il prodotto Stanley Fat Max venga reso completo con tutti i componenti originali

Se si desidera sporgere reclamo, rivolgersi al rivenditore di zona oppure controllare l'indirizzo del tecnico Stanley autorizzato più vicino nel catalogo Stanley Fat Max o contattare la sede Stanley Fat Max presso il recapito indicato nel presente manuale. Un elenco completo di tutti i tecnici autorizzati Stanley Fat Max e i dettagli completi sui servizi post-vendita sono disponibili su Internet all'indirizzo: www.stanley.eu/3

Beoogd gebruik

Uw Stanley Fat Max haakse slijper is ontworpen voor het slijpen en snijden van metaal en steen met behulp van het geschikte type slijp- of snijschijf. Bij het voorzien van de juiste bewaker, is deze tool bedoeld voor beroeps- en prive, niet-professionele gebruikers.

Veiligheidsinstructies

Algemene veiligheidswaarschuwingen voor elektrisch gereedschap



Waarschuwing! Lees alle veiligheidswaarschuwingen en alle instructies. Wanneer de volgende waarschuwingen en voorschriften niet in acht worden genomen, kan dit een elektrische schok, brand of ernstig letsel tot gevolg hebben.

Bewaar alle waarschuwingen en instructies als referentiemateriaal. Het hierna gebruikte begrip 'elektrisch gereedschap' heeft betrekking op elektrische gereedschappen voor gebruik op de netspanning (met netsnoer) of op een accu (snoerloos).

1. Veilige werkomgeving

- a. **Houd uw werkomgeving schoon en opgeruimd.** Een rommelige of slecht verlichte werkomgeving kan tot ongevallen leiden.
- b. **Gebruik elektrisch gereedschap niet in een omgeving met explosiegevaar, zoals in de nabijheid van brandbare vloeistoffen, gasen of stof.** Elektrisch gereedschap veroorzaakt vonken die het stof of de dampen tot ontsteking kunnen brengen.
- c. **Houd kinderen en andere personen tijdens het gebruik van elektrisch gereedschap uit de buurt.** Wanneer u wordt afgeleid, kunt u de controle over het gereedschap verliezen.

2. Elektrische veiligheid

- a. **De netstekker van het gereedschap moet in het stopcontact passen.** De stekker mag in geen geval worden omgebouwd. Gebruik geen adapterstekkers in combinatie met geaarde gereedschappen. Niet-omgebouwde stekkers en passende stopcontacten beperken het risico van een elektrische schok.
- b. **Vermijd aanraking van het lichaam met geaarde oppervlakken, bijvoorbeeld buizen, verwarmingen, fornuizen en koelkasten.** Er bestaat een verhoogd risico op een elektrische schok wanneer uw lichaam geaard is.

- c. **Houd het gereedschap uit de buurt van regen en vocht.** Het binnendringen van water in het elektrische gereedschap vergroot het risico van een elektrische schok.
- d. **Gebruik het snoer niet voor een verkeerd doel.** Gebruik het snoer niet om het gereedschap te dragen of op te hangen of om de stekker uit het stopcontact te trekken. Houd het snoer uit de buurt van hitte, olie, scherpe randen of bewegende delen. Beschadigde of in de war geraakte snoeren vergroten het risico van een elektrische schok.
- e. **Wanneer u buitenshuis met elektrisch gereedschap werkt, dient u alleen verlengsnoeren te gebruiken die zijn goedgekeurd voor gebruik buitenshuis.** Het gebruik van een verlengsnoer dat geschikt is voor gebruik buitenshuis, beperkt het risico van een elektrische schok.
- f. **Als u een elektrisch gereedschap moet gebruiken in een vochtige locatie, moet u een reststroomschakelaar (RCD) gebruiken.** Met een aardlekschakelaar wordt het risico van een elektrische schok verkleind.

3. Veiligheid van personen

- a. **Wees alert, let goed op wat u doet en ga met verstand te werk bij het gebruik van elektrische gereedschappen.** Gebruik elektrisch gereedschap niet wanneer u moe bent of onder invloed van drugs, alcohol of medicijnen. Een moment van onoplettendheid bij het gebruik van het gereedschap kan leiden tot ernstige verwondingen.
- b. **Draag een persoonlijke beschermende uitrusting. Draag altijd een veiligheidsbril.** Het dragen van een persoonlijke beschermende uitrusting zoals een stofmasker, slipvaste werkschoenen, een veiligheidshelm of gehoorbescherming, afhankelijk van de aard en het gebruik van het elektrische gereedschap, vermindert het risico van verwondingen.
- c. **Voorkom per ongeluk inschakelen.** Controleer of de schakelaar in de uit-stand staat voordat u het gereedschap aansluit op het stopcontact en/of de accu en voordat u het gereedschap optilt of gaat dragen. Wanneer u bij het dragen van het gereedschap uw vinger op de schakelaar houdt of wanneer u het gereedschap per ongeluk inschakelt, kan dat leiden tot ongevallen.
- d. **Verwijder instelgereedschappen of schroefsleutels voordat u het gereedschap inschakelt.** Een instelgereedschap of sleutel in een draaiend deel van het gereedschap kan tot verwondingen leiden.
- e. **Reik niet te ver.** Zorg er altijd voor dat u stevig staat en in evenwicht blijft. Daardoor kunt u het gereedschap in onverwachte situaties beter onder controle houden.

- f. **Draag geschikte kleding.** Draag geen loshangende kleding of sieraden. Houd haren, kleding en handschoenen uit de buurt van bewegende delen. Loshangende kleding, sieraden en lange haren kunnen door bewegende delen worden meegenomen.
- g. **Wanneer stofafzuigings- of stofopvangvoorzieningen kunnen worden gemonteerd, dient u zich ervan te verzekeren dat deze zijn aangesloten en juist worden gebruikt.** Het gebruik van stofopvangvoorzieningen beperkt het gevaar door stof.
4. **Gebruik en onderhoud van elektrisch gereedschap**
- a. **Overbelast het gereedschap niet.** Gebruik het geschikte elektrische gereedschap voor uw toepassing. Met het geschikte elektrische gereedschap werkt u beter en veiliger binnen het aangegeven capaciteitsbereik.
- b. **Gebruik geen elektrisch gereedschap waarvan de schakelaar defect is.** Elektrisch gereedschap dat niet meer kan worden in- of uitgeschakeld, is gevaarlijk en moet worden gerepareerd.
- c. **Trek de stekker uit het stopcontact en/of verwijder de accu uit het elektrisch gereedschap voordat u het gereedschap instelt, toebehoren wisselt of het gereedschap opbergt.** Met deze voorzorgsmaatregel voorkomt u onbedoeld starten van het gereedschap.
- d. **Bewaar niet-gebruikte elektrische gereedschappen buiten bereik van kinderen. Laat het gereedschap niet gebruiken door personen die er niet vertrouwd mee zijn en deze aanwijzingen niet hebben gelezen.** Elektrische gereedschappen zijn gevaarlijk wanneer deze door onervaren personen worden gebruikt.
- e. **Verzorg het gereedschap zorgvuldig.** Controleer of bewegende delen van het gereedschap correct functioneren en niet klemmen, en of er onderdelen zodanig zijn gebroken of beschadigd dat de werking van het gereedschap nadelig wordt beïnvloed. Laat beschadigde delen repareren voordat u het gereedschap gebruikt. Veel ongevallen worden veroorzaakt door slecht onderhouden elektrische gereedschappen.
- f. **Houd snijdende inzetgereedschappen scherp en schoon.** Zorgvuldig onderhouden snijdende inzetgereedschappen met scherpe snijkanten klemmen minder snel vast en zijn gemakkelijker te geleiden.
- g. **Gebruik elektrische gereedschappen, toebehoren, inzetgereedschappen en dergelijke volgens deze aanwijzingen. Let daarbij op de arbeidsomstandigheden en de uit te voeren werkzaamheden.** Het gebruik van elektrische gereedschappen voor andere dan de voorziene toepassingen kan leiden tot gevaarlijke situaties.

5. Onderhoud

- a. **Laat het gereedschap alleen repareren door gekwalificeerd en vakkundig personeel en alleen met originele vervangingsonderdelen.** Daarmee wordt de veiligheid van het gereedschap gewaarborgd.

Aanvullende veiligheidswaarschuwingen voor elektrisch gereedschap



Waarschuwing! Aanvullende veiligheidswaarschuwingen voor slijpen, schuren, staalborstelen, polijsten en schurende snijbewerkingen

- ◆ **Dit elektrische gereedschap is bedoeld voor bewerkingen zoals slijpen, schuren, staalborstelen, polijsten of snijden. Lees alle veiligheidswaarschuwingen, instructies, illustraties en specificaties die worden geleverd bij dit elektrische gereedschap zorgvuldig door.** Wanneer de volgende voorschriften niet in acht worden genomen, kan dit een elektrische schok, brand en/of ernstig letsel tot gevolg hebben.
- ◆ **Niet-beoogd gebruik van dit elektrische gereedschap kan leiden tot gevaarlijke situaties en persoonlijk letsel.**
- ◆ **Gebruik geen hulpstukken die niet speciaal zijn ontworpen en aanbevolen door de fabrikant.** Zelfs als andere hulpstukken op uw elektrische gereedschap kunnen worden gekoppeld, is veilig gebruik niet gegarandeerd.
- ◆ **De nominale snelheid van het hulpstuk moet minimaal gelijkwaardig zijn aan de maximale snelheid die is aangegeven op het gereedschap.** Hulpstukken die sneller draaien dan de nominale snelheid kunnen breken en uit elkaar worden geslingerd.
- ◆ **De buitendiameter en dikte van uw hulpstuk mogen niet groter zijn dan de maximale capaciteit van uw elektrische gereedschap.** Voor hulpstukken van onjuiste formaten zijn geen geschikte beschermkappen beschikbaar en dergelijke accessoires zijn moeilijk te hanteren.
- ◆ **De hoofdasgaten van schijven, flenzen, achterschijven of andere hulpstukken moeten precies passen op de spil van het elektrische gereedschap.** Hulpstukken met hoofdasgaten waarvan het formaat niet overeenkomt met de spil, zullen niet goed in balans zijn of excessief trillen en kunnen leiden tot verlies van controle.

- ◆ **Gebruik een hulpstuk niet als dit beschadigd is.** Controleer voor elk gebruik de staat van de hulpstukken. Controleer slijpschijven op versplintering of breuken, controleer achterschijven op scheuren of (excessieve) slijtage en controleer staalborstels op loszittende of gespleten staaldraden. Indien het gereedschap gevallen is, controleert u of het gereedschap beschadigd is of installeert u een onbeschadigd hulpstuk. Nadat u het gereedschap hebt geïnspecteerd en/of een nieuw hulpstuk hebt geïnstalleerd, laat u het gereedschap gedurende een minuut draaien op maximaal onbelast toerental. Als een hulpstuk beschadigd is, zal dit normaal gesproken gedurende deze testminuut breken.
- ◆ **Draag persoonlijke beschermende uitrusting. Draag gezichtsbescherming, een veiligheidsbril of oogbescherming, afhankelijk van de toepassing. Draag indien nodig een stofmasker, gehoorbescherming, handschoenen en een werkmansschort dat bestand is tegen kleine rondvliegende spaanders of deeltjes van het werkstuk.** De oogbescherming die u draagt, moet bestand zijn tegen rondvliegende deeltjes die voortkomen uit alle verschillende werkzaamheden. Het stofmasker of de respirator moet in staat zijn om partikels die voortkomen uit werkzaamheden afdoende te filteren. Door langdurige blootstelling aan geluid van hoge intensiteit kan uw gehoor beschadigen.
- ◆ **Houd omstanders op veilige afstand van de werkomgeving. Iedereen die de werkomgeving betreft, moet persoonlijke beschermende uitrusting dragen.** Spaanders van een werkstuk of gebroken hulpstukdelen kunnen weg worden geslingerd en dit kan leiden tot ernstig letsel.
- ◆ **Houd het gereedschap alleen vast bij de geïsoleerde greepoppervlakken, als u een handeling uitvoert waarbij het snijdende hulpstuk met niet-zichtbare bekabeling of met het eigen snoer in aanraking kan komen.** Als een draad onder spanning wordt geraakt door het snijdende hulpstuk, komen onbedekte metalen onderdelen van het gereedschap onder spanning te staan en krijgt u een schok.
- ◆ **Plaats de kabel uit de buurt van het draaiende hulpstuk.** Als u de controle verliest, kan de kabel worden doorgesneden of gegrepen en uw hand of arm kan naar het draaiend hulpstuk worden getrokken.
- ◆ **Leg het elektrische gereedschap pas neer als het hulpstuk volledig tot stilstand is gekomen.** Als het hulpstuk nog draait en in aanraking komt met het oppervlak, kan het uit uw hand worden getrokken en kunt u de controle verliezen.

- ◆ **Stel het gereedschap niet in werking wanneer u dit naast u draagt.** Het draaiend gedeelte kan dan in contact komen met uw kleding, blijven haken en het gereedschap in de richting van uw lichaam trekken.
- ◆ **Reinig regelmatig de ventilatieopeningen van het gereedschap.** De ventilator van de motor zuigt stof naar binnen in de behuizing en opeenhoping van metaalpoeder kan leiden tot kortsluiting.
- ◆ **Gebruik het gereedschap niet in de buurt van brandbaar materiaal.** Vrijkomend vonken kunnen dergelijke materialen laten ontbranden.
- ◆ **Gebruik geen hulpstukken waarvoor koelvloeistoffen vereist zijn.** Gebruik van water of andere vloeistoffen voor koeling kunnen leiden tot elektrocutie of schokken.

Opmerking: De bovenstaande waarschuwing geldt niet voor apparatuur die speciaal is bedoeld voor gebruik met vloeistofkoeling.

Waarschuwing met betrekking tot terugslag en gerelateerde waarschuwingen

Terugslag is een plotselinge reactie die optreedt als het draaiende gedeelte (schijf, achterschijf, staalborstel, e.d.) plotseling vast komt te zitten of blokkeert. Wanneer dit gebeurt, stopt het hulpstuk zeer plotseling met draaien waardoor de draaiing wordt overgebracht op het gereedschap zelf dat vervolgens op het verbindingspunt naar achteren klapt in een richting tegengesteld aan de draaiing van het hulpstuk.

Als bijvoorbeeld een slijpschijf vast blijft zitten of bekneld raakt in het werkstuk, kan de rand van de schijf via het beknellingspunt het materiaal het werkstuk raken waardoor de schijf niet meer slijpt, maar als het ware naar boven klimt of terugslag veroorzaakt. De schijf kan ook in de richting of juist weg van de bediener springen, afhankelijk van de draairichting van de schijf op het moment van beknelling. Het kan ook voorkomen dat slijpschijven breken in dit soort situaties.

Terugslag is het gevolg van het verkeerde gebruik of onjuiste gebruiksomstandigheden van elektrisch gereedschap. Met geschikte voorzorgsmaatregelen, zoals hieronder zijn beschreven, kan terugslag worden voorkomen.

- ◆ **Blijf de het gereedschap stevig met beide handen vasthouden en plaats uw lichaam en armen zodanig dat u een eventuele terugslag kunt tegenhouden. Maak ook altijd gebruik van de hulphandgreep, indien bijgeleverd, voor maximale controle bij terugslag of torsiereactie tijdens het opstarten.** Met geschikte voorzorgsmaatregelen kunnen bedieners torsiereactie of terugslagkrachten onder controle houden.
- ◆ **Houd uw handen uit de buurt van het draaiende hulpstuk.** Het hulpstuk kan door terugslag tegen uw hand aan komen.

- ◆ **Zorg ervoor dat uw lichaam zich niet op een positie bevindt waar het in aanraking zou kunnen komen in geval van terugslag.** Wanneer terugslag optreedt, beweegt het gereedschap zich in een richting tegengesteld aan de draaiing van het hulpstuk op het moment van beknelling.
- ◆ **Wees extra voorzichtig bij het werken aan of in hoeken. Voorkom dat het gereedschap gaat 'springen' en bekneld raakt in het werkstuk.** Bij werken in hoeken, op scherpe randen of bij 'springen' kan het draaiende hulpstuk bekneld raken en dit kan leiden tot verlies van controle of tot terugslag.
- ◆ **Gebruik dit gereedschap niet in combinatie met een cirkelzaagblad of andere getande zaagbladen.** Gebruik van dergelijke bladen leiden vaak tot verlies van controle of tot terugslag.

Veiligheidswaarschuwingen met betrekking tot slijpen en schurende snijbewerkingen

- ◆ **Gebruik alleen de voor uw gereedschap aanbevolen slijpschijven en de beschermkap die specifiek is bedoeld voor de geselecteerde schijf.** Voor schijven anders dan waarvoor het gereedschap is ontworpen, zijn geen geschikte beschermkappen en dit leidt tot onveilige situaties.
- ◆ **De beschermkap moet stevig worden bevestigd aan het gereedschap en zodanig worden geplaatst dat maximale veiligheid is gegarandeerd, waarbij een zo klein mogelijk gedeelte van de schijf richting de bediener is gericht.** De beschermkap beschermt de bediener tegen mogelijk afbrekende delen van de schijf en ongewild contact met de draaiende schijf.
- ◆ **Schijven moeten alleen worden gebruikt voor de beoogde toepassingen. Bijvoorbeeld: gebruik de rand van de schijf voor snijden niet voor slijpen.** Snijpschijven zijn bedoeld voor het slijpen van omtrekken. Het uitoefenen van zijwaartse krachten op deze schijven kan ertoe leiden dat deze breken.
- ◆ **Gebruik altijd onbeschadigde flenzen van het juiste formaat en de juiste vorm voor de geselecteerde schijf.** De juiste flenzen ondersteunen de schijf en verkleinen zo de kans op breuken. Voor snijpschijven moeten mogelijk andere flenzen worden gebruikt dan voor slijpschijven.
- ◆ **Gebruik geen versleten schijven van grotere elektrische gereedschappen.** Schijven voor grotere elektrische gereedschappen zijn niet geschikt voor de hogere snelheden van kleinere gereedschappen en kunnen bij gebruik barsten.

Aanvullende veiligheidswaarschuwingen met betrekking tot slijpen en schurende snijbewerkingen

- ◆ **'Duw' niet te hard met de snijpschijf en gebruik niet teveel druk. Probeer niet te diep te snijden.** Door teveel druk uit te oefenen op de schijf wordt deze teveel belast en is er meer risico op verdraaiing of beknelling van de schijf in de snede en is er ook meer kans op terugslag of zelfs breken van de schijf.
- ◆ **Zorg ervoor dat uw lichaam niet in één lijn is met de draaiende schijf en ga zo staan dat u niet recht achter de schijf staat.** Als de schijf tijdens het gebruik van u af draait, kunnen de schijf en het gereedschap bij eventuele terugslag mogelijk recht op u af worden geslingerd.
- ◆ **Wanneer het blad vast komt te zitten, of wanneer u het zagen om welke reden dan ook wilt onderbreken, schakelt u het gereedschap uit en houdt u dit zonder te bewegen in het materiaal totdat de schijf volledig tot stilstand is gekomen. Probeer nooit om de schijf uit de snede te verwijderen terwijl de schijf nog draait omdat anders een terugslag kan optreden.** Als de schijf vast komt te zitten, controleert u de oorzaak hiervan en lost u het probleem op.
- ◆ **Hervat de werkzaamheden niet als de schijf nog in het werkstuk zit. Wacht tot de schijf weer op volle snelheid draait en begin dan weer met snijden.** Als u het gereedschap start wanneer de schijf nog in de snede zit, kan de schijf klem komen te zitten, omhoog 'lopen' of terugslag veroorzaken.
- ◆ **Ondersteun panelen of grote werkstukken om het risico op klemmen en terugslag te voorkomen.** Grote werkstukken zakken vaak in onder hun eigen gewicht. Er moeten steunen aan beide kanten onder het werkstuk worden geplaatst: naast de snijlijn en naast de rand van het werkstuk, aan beide zijden van de schijf.
- ◆ **Wees extra voorzichtig wanneer u een hoeksnede wilt maken in bestaande muren of andere 'blinde' gebieden.** Het naar buiten stekende deel van de schijf kan gas- of waterleidingen, elektrische bedrading of andere objecten raken, waardoor terugslag kan worden veroorzaakt.

Veiligheidswaarschuwingen met betrekking tot schuren

- ◆ **Gebruik het juiste formaat schuurpapier voor de schijf. Volg bij het selecteren van schuurpapier de richtlijnen van de fabrikant.** Als u schuurpapier gebruikt dat groter is dan het oppervlak van de schijf, kan het gedeelte dat buiten de schijf valt, scheuren waardoor de schijf klem kan raken of breken, of zelfs terugslag veroorzaken.

Veiligheidswaarschuwingen met betrekking tot polijsten

- ◆ **Zorg ervoor dat er geen delen of bevestigingspunten van de polijstschijf los kunnen komen.** Maak losse bevestigingsdraden stevig vast of knip deze weg. Als bevestigingsdraden losraken en gaan draaien, kunnen uw vingers verstrikt raken in de draden of de draden kunnen vast blijven zitten in het werkstuk.

Veiligheidswaarschuwingen met betrekking tot staalborstelen

- ◆ **Houd er rekening mee dat ook bij gewone werkzaamheden borstelharen los kunnen raken uit de staalborstel.** Zorg ervoor dat u de borstelharen niet overbelast en dat u niet teveel druk uitoefent op de borstel. De borstelharen kunnen lichte kleding en/of huid gemakkelijk penetreren.
- ◆ **Als gebruik van een beschermkap wordt aanbevolen voor staalborstelen, dient u ervoor te zorgen dat de draaischijf of de staalborstel niet in aanraking kunnen komen met de beschermkap.** De schijf en de borstel kunnen als gevolg van belasting en centrifugale krachten tijdens de werkzaamheden uitzetten en van vorm veranderen.

Veiligheid van anderen

- ◆ Dit apparaat mag niet worden gebruikt door personen (waaronder kinderen) met een lichamelijke of geestelijke beperking of die geen ervaring met of kennis van dit apparaat hebben, tenzij ze onder toezicht staan of instructies hebben gekregen voor het gebruik van het apparaat van een persoon die verantwoordelijk is voor hun veiligheid.
- ◆ Houd toezicht op kinderen om ervoor te zorgen dat zij niet met het apparaat gaan spelen.

Overige risico's

Er kunnen zich tijdens het gebruik van het gereedschap ook andere risico's voordoen, die misschien niet in de bijgevoegde veiligheidswaarschuwingen worden vermeld. Deze risico's kunnen zich voordoen als gevolg van onoordeelkundig gebruik, langdurig gebruik, enz.

Zelfs als de veiligheidsvoorschriften in acht worden genomen en de veiligheidsvoorzieningen worden geïmplementeerd, kunnen bepaalde risico's niet worden vermeden. Deze omvatten:

- ◆ **Verwondingen die worden veroorzaakt door het aanraken van draaiende of bewegende onderdelen.**
- ◆ **Verwondingen die worden veroorzaakt bij het vervangen van onderdelen, bladen of accessoires.**
- ◆ **Verwondingen die worden veroorzaakt door langdurig gebruik van het gereedschap.** Als u langere periodes met het gereedschap werkt, is het raadzaam om regelmatig een pauze in te lassen.

- ◆ **Gehoorschadiging.**
- ◆ **Gezondheidsrisico's als gevolg van het inademen van stof dat door gebruik van het gereedschap wordt veroorzaakt (bijvoorbeeld tijdens het werken met hout, vooral eiken, beuken en MDF.)**

Trillingen

De aangegeven waarden voor trillingsemisatie in de technische gegevens en de conformiteitsverklaring zijn gemeten conform een standaardtestmethode die door EN 60745 wordt geboden. Hiermee kan het ene gereedschap met het andere worden vergeleken. De aangegeven waarde voor trillingsemisatie kan ook worden gebruikt bij een voorlopige bepaling van blootstelling.

Waarschuwing! De waarde voor trillingsemisatie tijdens het werkelijke gebruik van het gereedschap kan verschillen van de aangegeven waarde afhankelijk van de manieren waarop het gereedschap wordt gebruikt. Het trillingsniveau kan hoger worden dan het aangegeven niveau.

Wanneer de blootstelling aan trillingen wordt vastgesteld teneinde veiligheidsmaatregelen te bepalen die worden vereist door 2002/44/EG ter bescherming van personen die tijdens hun werk regelmatig elektrische gereedschappen gebruiken, moet bij een schatting van de blootstelling aan trillingen rekening worden gehouden met de werkelijke omstandigheden van het gebruik en de manier waarop het gereedschap wordt gebruikt. Daarbij moet ook rekening worden gehouden met alle stappen in de gebruikscyclus, zoals het moment waarop het gereedschap wordt uitgeschakeld en wanneer het gereedschap stationair loopt alsook de aanlooptijd.

Labels op het gereedschap

Het apparaat is voorzien van de volgende pictogrammen:



Waarschuwing! De gebruiker moet de instructiehandleiding lezen om het risico op letsel te verminderen.



Draag een veiligheidsbril of een stofbril als u dit gereedschap gebruikt.



Draag gehoorbeschermers als u dit gereedschap gebruikt.

Elektrische veiligheid



Dit gereedschap is dubbel geïsoleerd. Een aardingsaansluiting is daarom niet noodzakelijk. Controleer altijd of uw netspanning overeenkomt met de waarde op het typeplaatje.

- ◆ Als het netsnoer is beschadigd, moet dit, om ongelukken te voorkomen, worden vervangen door de fabrikant of in een Stanley Fat Max-servicecentrum.

Onderdelen

Dit gereedschap kan de volgende onderdelen bevatten:

1. Aan-/uitschakelaar
2. Zijgreep
3. Spilvergrendeling
4. Beschermkap

Montage

Waarschuwing! Zorg vóór aanvang van de montage dat het apparaat is uitgeschakeld en de netstekker is losgekoppeld van het lichtnet.

Aanbrengen en verwijderen van de beschermkap (fig. A)

Deze machine is uitgerust met een beschermkap, die bedoeld is voor slijpen en afzagen. Gebruik altijd de correcte beschermkap die specifiek is voor de bedoelde bewerking. Als het gereedschap wordt gebruikt om te zagen, moet een specifieke beschermkap voor deze toepassing worden gemonteerd (17, Fig F).

Bevestigen

- ◆ Plaats het gereedschap op een tafel met de spil (5) naar boven gericht.
- ◆ Ontgrendel de klemvergrendeling (7) en houd de beschermkap (4) boven het gereedschap zoals getoond.
- ◆ Plaats de openingen (8) op een lijn met de inkepingen (9).
- ◆ Druk de beschermkap naar beneden en draai deze linksom op zijn plaats.
- ◆ Maak de klemvergrendeling (7) vast om de beschermkap te bevestigen aan het gereedschap.
- ◆ Draai, indien nodig, de schroef (6) vaster om de klemkracht te vergroten.

Verwijderen

- ◆ Ontgrendel de klemvergrendeling (7).
- ◆ Draai de beschermkap rechtsom totdat de openingen (8) op een lijn zijn met de inkepingen (9).
- ◆ Verwijder de beschermkap van het gereedschap.

Waarschuwing! Gebruik het apparaat nooit zonder de beschermkap.

Aanbrengen van de zijgreep

- ◆ Schroef de zijgreep (2) in een van de montagegaten van het gereedschap.

Waarschuwing! Maak altijd gebruik van de zijgreep.

Aanbrengen en verwijderen van slijp- en snijschijven (fig. B - D)

Gebruik altijd het juiste type schijf voor uw specifieke toepassing. Gebruik altijd schijven met de juiste diameter en asgaten (zie ook de technische gegevens).

Bevestigen

- ◆ Bevestig de beschermkap zoals hierboven beschreven.
- ◆ Plaats de binnenste flens (10) op de spil (5) zoals getoond (fig. B). Zorg ervoor dat de flens op de juiste manier is geplaatst op basis van de platte zijden van de spil.
- ◆ Plaats de schijf (11) op de spil (5) zoals getoond (fig. B). Als de schijf een verhoogd middelpunt (12) heeft, moet u ervoor zorgen dat het verhoogde gedeelte naar de binnenste flens is gericht.
- ◆ Controleer of de schijf op de juiste manier contact maakt met de binnenste flens.
- ◆ Plaats de buitenste flens (13) op de spil. Bij het plaatsen van een slijpschijf, moet het verhoogde middelpunt van de buitenste flens naar de schijf zijn gericht (A in fig. C). Bij het plaatsen van een snijschijf, moet het verhoogde middelpunt van de buitenste flens niet naar de schijf zijn gericht (B in fig. C).
- ◆ Houd de spilvergrendeling (3) ingedrukt en draai de buitenste flens vast met behulp van de tweepens-spanner (14) (fig. D).

Verwijderen

- ◆ Houd de spilvergrendeling (3) ingedrukt en draai de buitenste flens (13) los met behulp van de tweepens-spanner (14) (fig. D).
- ◆ Verwijder de buitenste flens (13) en de schijf (11).

Schuurschijven plaatsen en verwijderen (fig. D en E)

Als u gaat schuren, dient u een achterschijf te plaatsen. De achterschijf is als hulpstuk beschikbaar bij uw Stanley Fat Max-dealer.

Bevestigen

- ◆ Plaats de binnenste flens (10) op de spil (5) zoals getoond (fig. E). Zorg ervoor dat de flens op de juiste manier is geplaatst op basis van de platte zijden van de spil.
- ◆ Plaats de achterschijf (15) op de spil.
- ◆ Plaats de schuurschijf (16) op de achterschijf.
- ◆ Plaats de buitenste flens (13) op de spil waarbij het verhoogde gedeelte niet naar de schijf gericht moet zijn.
- ◆ Houd de spilvergrendeling (3) ingedrukt en draai de buitenste flens vast met behulp van de tweepens-spanner (14) (fig. D). Zorg ervoor dat de buitenste flens op de juiste manier bevestigd is en dat de schijf goed wordt vastgeklemd.

Verwijderen

- ◆ Houd de spilvergrendeling (3) ingedrukt en draai de buitenste flens (13) los met behulp van de tweepensspanner (14) (fig. D).
- ◆ Verwijder de buitenste flens (13), de schuurschijf (16) en de achterschijf (15).

Gebruik van het apparaat

Waarschuwing! Laat het gereedschap in zijn eigen tempo werken. Niet overbelasten.

- ◆ Geleid de kabel zorgvuldig zodat u deze niet per ongeluk doorsnijdt.
- ◆ Houd er rekening mee dat er een vonkenregen vrij kan komen bij het slijpen of snijden van een werkstuk met behulp van de schijven.
- ◆ Houd het gereedschap altijd zodanig dat de beschermkap optimale bescherming biedt ten opzichte van de slijp- of snijschijf.

In- en uitschakelen

- ◆ Om de machine in te schakelen, drukt u de Aan/uitschakelaar (1) naar voren en drukt u deze in. Houd er rekening mee dat het gereedschap blijft draaien nadat u de schakelaar hebt losgelaten.
- ◆ Om de machine uit te schakelen, drukt u het achterste deel van de Aan/uitschakelaar in.

Waarschuwing! zet het gereedschap niet uit terwijl de schijf contact maakt met het werkstuk.

Tips voor optimaal gebruik

- ◆ Houd het gereedschap stevig vast waarbij u met uw ene hand de zijgreep vasthoudt en met uw andere hand de hoofdgreep.
- ◆ Houd bij slijpen altijd een hoek aan van ongeveer 15° tussen de schijf en het werkstuk.

Onderhoud

Uw Stanley Fat Max-gereedschap/-apparaat (met netsnoer/snoerloos) is ontworpen om gedurende langere tijd te functioneren met een minimum aan onderhoud. U kunt het gereedschap naar volle tevredenheid blijven gebruiken als u voor correct onderhoud zorgt en het gereedschap regelmatig schoonmaakt.

Waarschuwing! Doe altijd het volgende voordat u onderhouds- of reinigingswerkzaamheden aan het gereedschap (met snoer/snoerloos) uitvoert.

- ◆ Schakel het gereedschap/apparaat uit en trek de stekker uit het stopcontact.
- ◆ Als het gereedschap/apparaat een afzonderlijke accu heeft, schakelt u het gereedschap/apparaat uit en haalt u de accu eruit.

- ◆ Als de accu is ingebouwd, laat u deze volledig ontladen. Schakel dan het apparaat uit.
- ◆ Neem de lader uit het stopcontact voordat u deze schoonmaakt. Naast regelmatige reiniging vereist de lader geen onderhoud.
- ◆ Reinig regelmatig de ventilatieopeningen van het gereedschap/apparaat/lader met een zachte borstel of droge doek.
- ◆ Reinig de behuizing van de motor regelmatig met een vochtige doek. Gebruik geen schuur- of oplosmiddel.
- ◆ Open regelmatig de spanknop en tik erop om eventueel stof uit het binnenste te verwijderen (indien van toepassing).

Netstekker vervangen (alleen Verenigd Koninkrijk en Ierland)

Als er een nieuwe netstekker moet worden aangebracht:

- ◆ Gooi de oude stekker op verantwoorde wijze weg.
- ◆ Verbind de bruine draad met de spannings-/fasepool in de nieuwe stekker.
- ◆ Verbind de blauwe draad met de nul-/neutraalpool.

Waarschuwing! De aardepool hoeft niet te worden aangesloten. Volg de bevestigingsinstructies die met hoogwaardige stekkers worden meegeleverd. Aanbevolen zekering: 13 A.

Milieu



Aparte inzameling. Dit product mag niet met normaal huishoudelijk afval worden weggegooid.

Mocht u op een dag constateren dat het Stanley Fat Max-product aan vervanging toe is of dat u het apparaat niet meer nodig hebt, gooi het product dan niet bij het restafval. Het product valt onder de categorie voor elektrische apparaten.



Gescheiden inzameling van gebruikte producten en verpakkingsmaterialen maakt het mogelijk materialen te recycleren en opnieuw te gebruiken. Hergebruik van gerecycleerde materialen zorgt voor minder milieuvuiling en dringt de vraag naar grondstoffen terug.

Plaatselijke verordeningen kunnen voorzien in gescheiden inzameling van huishoudelijke elektrische producten via gemeentelijke stortplaatsen of via de leverancier bij wie u een nieuw product aanschaft.

Stanley Europe biedt de mogelijkheid tot het recyclen van afgedankte Stanley Fat Max-producten. Om gebruik te maken van deze service, dient u het product naar een van onze servicecentra te sturen, die de inzameling voor ons verzorgen.

U kunt het adres van het dichtstbijzijnde Stanley Europe-servicecentrum opvragen via de adressen op de achterzijde van deze handleiding. U kunt ook een lijst van Stanley Europe-servicecentra en meer informatie over onze klantenservice en contactpersonen vinden op het volgende internetadres: www.2helpU.com

EG-conformiteitsverklaring

MACHINERICHTLIJN



FME811 / FME812

Technische gegevens

		FME811 (Type 1)	FME812 (Type 1)
Ingangsspanning	V_{ac}	230	230
Opgenomen vermogen	W	850	850
Onbelast toerental	min^{-1}	12.000	12.000
Diameter schijf	mm	115	125
Asgat van schijf	mm	22	22
Max. dikte van schijf			
slijpschijven	mm	6	6
snijpschijven	mm	3.5	3.5
Spilgrootte		M14	M14
Gewicht	kg	2.1	2.1

Stanley Europe verklaart dat deze producten, die zijn beschreven onder "Technische gegevens", voldoen aan: 2006/42/EG, EN 60745-1, EN 60745-2-3

Deze producten voldoen tevens aan richtlijn 2004/108/EG en 2011/65/EU. Neem voor meer informatie contact op met Stanley Europe op het volgende adres of raadpleeg de achterzijde van de handleiding.

Ondergetekende is verantwoordelijk voor de compilatie van het technische bestand en geeft deze verklaring namens Stanley Europe af.

Kevin Hewitt
Vice-President Global Engineering
Stanley Europe, Egide Walschaertsstraat14-18,
2800 Mechelen, België
19/04/2013

L_{pA} (geluidsdruk) 94.5 dB(A), meetonzekerheid (K) 3 dB(A)
L_{WA} (geluidsvermogen) 105.5 dB(A), meetonzekerheid (K) 3 dB(A)
Totale trillingswaarden (som triaxvector) volgens EN 60745:
Slijpen van oppervlakken ($a_{h,s}$) < 9.9 m/s^2 , meetonzekerheid (K) 1.5 m/s^2
Snijden ($a_{h,CW}$) 9.1 m/s^2 , meetonzekerheid (K) 1.5 m/s^2
Polijsten ($a_{h,p}$) 5.0 m/s^2 , meetonzekerheid (K) 1.5 m/s^2
Schuren met schijf ($a_{h,DS}$) 3.3 m/s^2 , meetonzekerheid (K) 1.5 m/s^2
Staalborstelen ($a_{h,CW}$) 9.2 m/s^2 , meetonzekerheid (K) 1.5 m/s^2

Garantie

Stanley Europe heeft vertrouwen in haar producten en biedt een uitstekende garantie voor professionele gebruikers van het product. Deze garantieverklaring is een aanvulling op, en vormt op geen enkele wijze een beperking van, uw contractuele rechten als private niet-professionele gebruiker. De garantie geldt in de lidstaten van de Europese Unie en de Europese Vrijhandelsassociatie.

EEN JAAR VOLLEDIGE GARANTIE

Als uw Stanley Fat Max-product binnen 12 maanden na aankoop defect raakt ten gevolge van materiaal- of constructiefouten, dan garandeert Stanley Europe de kosteloze vervanging van defecte onderdelen, de reparatie van het product of – naar eigen inzicht – de vervanging van het product, indien wordt voldaan aan de volgende voorwaarden:

- ◆ Het product is niet misbruikt en is gebruikt in naleving van de instructiehandleiding.
- ◆ Het product is blootgesteld aan redelijkerwijs te verwachten slijtage of gebruik;
- ◆ Er zijn geen reparaties of pogingen tot reparatie uitgevoerd door niet-geautoriseerde personen.
- ◆ Bewijs van aanschaf kan worden getoond.
- ◆ Het Stanley Fat Max product wordt compleet geretourneerd met alle originele onderdelen

Indien u een claim wilt indienen, neemt u contact op met uw verkooppunt, gaat u naar uw dichtstbijzijnde Stanley Fat Max-centrum (u vindt het adres in de Stanley Stanley Fat Max -catalogus) of neemt u contact op met de Stanley Fat Max-vestiging waarvan het adres wordt vermeld in deze handleiding. Er is ook een lijst van Stanley Fat Max -servicecentra en meer informatie over onze klantenservice te vinden op het volgende internetadres: www.stanley.eu/3

Uso previsto

La amoladora angular Stanley Fat Max se ha diseñado para pulir y cortar metal y mampostería utilizando el tipo de disco de corte o amolado adecuado. Cuando está equipado con el protector adecuado, esta herramienta está diseñada para profesionales y privados, los usuarios no profesionales.

Instrucciones de seguridad

Advertencias de seguridad generales para herramientas eléctricas



¡Atención! Lea todas las advertencias e instrucciones de seguridad. En caso de no atenerse a las siguientes advertencias e instrucciones de seguridad, podría producirse una descarga eléctrica, incendio o lesión grave.

Guarde todas las advertencias e instrucciones para futuras consultas. El término "herramienta eléctrica" empleado en las advertencias a continuación hace referencia a la herramienta eléctrica con alimentación de red (con cable) o alimentada por batería (sin cable).

1. Seguridad del área de trabajo

- Mantenga limpia y bien iluminada el área de trabajo.** El desorden o una iluminación deficiente en las áreas de trabajo pueden provocar accidentes.
- No utilice la herramienta eléctrica en un entorno con peligro de explosión, en el que se encuentren líquidos, gases o material en polvo inflamables.** Las herramientas eléctricas producen chispas que pueden llegar a inflamar el polvo o los vapores.
- Cuando utilice la herramienta eléctrica, mantenga alejados a los niños y a otras personas del área de trabajo.** Una distracción le puede hacer perder el control sobre la herramienta.

2. Seguridad eléctrica

- El enchufe de la herramienta eléctrica debe corresponder a la toma de corriente utilizada.** No modifique el enchufe. No emplee adaptadores en herramientas eléctricas dotadas con toma de tierra. Estas pautas le ayudarán a reducir el riesgo de descargas eléctricas.
- Evite tocar partes conectadas a tierra como tuberías, radiadores, cocinas y refrigeradores.** El riesgo de descarga eléctrica es mayor si el usuario entra en contacto con elementos conectados a tierra.
- No exponga las herramientas eléctricas a la lluvia y evite que penetren líquidos en su interior,** ya que existe el peligro de recibir una descarga eléctrica.

- Cuide el cable de alimentación.** No lo utilice para transportar o colgar la herramienta eléctrica, ni tire de él para sacar el enchufe de la toma de corriente. Manténgalo alejado del calor, aceite, bordes afilados o piezas móviles. Los cables de red dañados o enredados incrementan el riesgo de descarga eléctrica.
- Si trabaja con la herramienta eléctrica en el exterior, utilice solamente cables de prolongación homologados para uso en exteriores.** Esto le ayudará a reducir el riesgo de descarga eléctrica.
- Si la utilización de una herramienta eléctrica en un lugar húmedo es inevitable, utilice una fuente protegida con un dispositivo de corriente residual (RCD).** La utilización de un RCD reduce el riesgo de sufrir descargas eléctricas.

3. Seguridad personal

- Esté atento a lo que hace y utilice la herramienta eléctrica con prudencia.** No la use si está cansado, ni si se encuentra bajo los efectos del alcohol, drogas o medicamentos. Si desatiende la herramienta, aunque sea durante unos instantes, puede haber riesgo de lesiones graves.
- Utilice material de protección personal.** Utilice siempre gafas de protección. El riesgo de lesiones se reduce considerablemente si se utiliza material de protección adecuado como una mascarilla antipolvo, zapatos de seguridad con suela antideslizante, casco o protectores auditivos.
- Impida que la herramienta se ponga en marcha accidentalmente.** Asegúrese de que el interruptor de encendido/apagado se encuentre en la posición de apagado antes de conectar la herramienta a la fuente de alimentación o a la batería, o de coger o transportar la herramienta. Transportar la herramienta eléctrica con el dedo sobre el interruptor o enchufarla con el interruptor encendido puede provocar accidentes.
- Retire las herramientas de ajuste o llaves fijas antes de conectar la herramienta eléctrica.** Una herramienta o llave colocada en una pieza giratoria de la herramienta puede producir lesiones al ponerse ésta en marcha.
- Sea precavido.** Evite adoptar una posición que fatigue su cuerpo; mantenga un apoyo firme sobre el suelo y conserve el equilibrio en todo momento. Ello le permitirá controlar mejor la herramienta eléctrica en caso de presentarse una situación inesperada.
- Vístase con la ropa adecuada.** No lleve ropa holgada ni joyas. Aleje el pelo, la ropa y los guantes de las piezas móviles. La ropa holgada, las joyas y el pelo largo se pueden enganchar con las piezas en movimiento.

g. Siempre que sea posible utilizar unos equipos de aspiración o captación de polvo, asegúrese de que éstos estén montados y que sean utilizados correctamente. El empleo de estos equipos reduce los riesgos derivados del polvo.

4. Uso y cuidado de herramientas eléctricas

- a. No sobrecargue la herramienta eléctrica. Use la herramienta adecuada para cada aplicación.** Con la herramienta eléctrica adecuada podrá trabajar mejor y más seguro dentro del margen de potencia indicado.
- b. No utilice herramientas eléctricas con un interruptor defectuoso.** Las herramientas eléctricas que no se puedan conectar o desconectar son peligrosas y deben hacerse reparar.
- c. Desconecte de la herramienta eléctrica el enchufe de la fuente de alimentación y de la batería antes de realizar cualquier ajuste, cambiar accesorios o guardar la herramienta.** Esta medida preventiva reduce el riesgo de encender accidentalmente la herramienta eléctrica.
- d. Guarde las herramientas eléctricas fuera del alcance de los niños y de las personas que no estén familiarizadas con su uso.** Las herramientas eléctricas utilizadas por personas inexpertas son peligrosas.
- e. Cuide sus herramientas eléctricas con esmero. Controle si funcionan correctamente, sin atascarse, las partes móviles de la herramienta eléctrica, y si existen partes rotas o deterioradas que pudieran afectar al funcionamiento de la herramienta. Si la herramienta eléctrica estuviese defectuosa haga que la reparen antes de volver a utilizarla.** Muchos accidentes se deben a herramientas eléctricas con un mantenimiento deficiente.
- f. Mantenga las herramientas de corte limpias y afiladas.** Las herramientas de corte que se mantienen correctamente se dejan guiar y controlar mejor.
- g. Utilice la herramienta eléctrica, los accesorios, los útiles de la herramienta, etc. de acuerdo con estas instrucciones, y tenga en cuenta las condiciones de trabajo y la tarea a realizar.** El uso de herramientas eléctricas para trabajos diferentes de aquellos para los que han sido concebidas puede resultar peligroso.

5. Servicio técnico

- a. Esta herramienta eléctrica sólo la puede reparar personal técnico autorizado que emplee exclusivamente piezas de repuesto originales.** Solamente así se garantiza la seguridad de la herramienta eléctrica.

Advertencias de seguridad adicionales para herramientas eléctricas



¡Atención! Advertencias de seguridad adicionales para amolado, lijado, cepillado metálico, pulido u operaciones de corte abrasivas

- ◆ **Esta herramienta eléctrica está pensada para funcionar como amoladora, lijadora, pulidora o herramienta de corte. Lea todas las advertencias, instrucciones, ilustraciones y especificaciones suministradas con esta herramienta eléctrica.** En caso de no atenerse a las instrucciones de seguridad siguientes, podría producirse una descarga eléctrica, un incendio o una lesión grave.
- ◆ **Las operaciones para las que la herramienta eléctrica no está diseñada podrían suponer un peligro y provocar lesiones.**
- ◆ **No utilice accesorios que no estén diseñados y recomendados específicamente por el fabricante de la herramienta.** Sólo porque el accesorio puede fijarse a su herramienta eléctrica, no garantiza un funcionamiento seguro.
- ◆ **La velocidad especificada del accesorio debe ser al menos igual a la velocidad máxima marcada en la herramienta eléctrica.** Los accesorios que funcionen a una velocidad superior a su velocidad especificada pueden romperse y soltarse.
- ◆ **El diámetro exterior y el grosor del accesorio deben encontrarse dentro de los límites de la capacidad especificada de la herramienta eléctrica.** Los accesorios de tamaño incorrecto no pueden ser protegidos o controlados adecuadamente.
- ◆ **El tamaño del eje de los discos, bridas, platos de apoyo o cualquier otro accesorio debe ajustarse correctamente al eje de la herramienta eléctrica.** Los accesorios con orificios para el eje que no encajen correctamente con los elementos de montaje de la herramienta eléctrica podrían experimentar una pérdida del equilibrio y del control y vibrar excesivamente.
- ◆ **No utilice un accesorio dañado. Antes de cada uso, inspeccione los elementos del accesorio como los discos abrasivos en busca de astillas o grietas, el plato de apoyo en busca de grietas, roturas o un desgaste excesivo, el cepillo metálico en busca de cables rotos o sueltos, etc. Si la herramienta eléctrica o el accesorio se caen, realice una inspección en busca de daños o instale un accesorio sin dañar. Después de inspeccionar e instalar un accesorio, haga funcionar la herramienta eléctrica a la velocidad sin carga máxima durante un minuto.** Los accesorios dañados se romperán, por lo general, durante esta prueba.

- ◆ **Utilice material de protección personal.** En función de la aplicación, utilice una máscara protectora, o gafas protectoras o de seguridad. Según sea necesario, lleve una máscara antipolvo, protectores para los oídos, guantes y un delantal de trabajo capaz de detener pequeños fragmentos abrasivos o de la pieza de trabajo. La protección para los ojos debe ser capaz de detener los residuos volantes generados por las distintas operaciones. La mascarilla contra el polvo o respirador debe ser capaz de filtrar las partículas generadas por las distintas operaciones. La exposición prolongada al ruido de alta intensidad puede producir una pérdida de audición.
- ◆ **Mantenga a otras personas a una distancia de seguridad de la zona de trabajo.** Cualquiera que entre en la zona de trabajo debe utilizar material de protección personal. Los fragmentos de la pieza en la que está trabajando o de un accesorio roto pueden soltarse y causar daños más allá de la zona de operaciones inmediata.
- ◆ **Sujete la herramienta eléctrica únicamente por la superficie de agarre protegida cuando realice una operación en la que el accesorio de corte pueda entrar en contacto con cableado oculto o con su propio cable.** El contacto del accesorio de corte con un cable conectado a la red eléctrica podría hacer que las partes metálicas de la herramienta transmitieran esa electricidad y producir una descarga al usuario.
- ◆ **Coloque el cable alejado del accesorio mientras gira.** Si pierde el control, puede que el cable se corte o enganche y que empuje su mano o brazo hacia el accesorio mientras gira.
- ◆ **No suelte la herramienta eléctrica hasta que el accesorio se haya detenido por completo.** El accesorio giratorio puede engancharse en la superficie y hacer que pierda el control de la herramienta eléctrica.
- ◆ **No ponga en funcionamiento la herramienta eléctrica mientras la lleva a su lado.** El contacto accidental con el accesorio giratorio puede provocar que su ropa se enganche, empujando al accesorio hacia su cuerpo.
- ◆ **Limpie con regularidad las ventilaciones de aire de la herramienta eléctrica.** El ventilador del motor dirigirá el polvo hacia el compartimento y la acumulación excesiva de metal en polvo puede provocar peligro de descarga eléctrica.
- ◆ **No utilice la herramienta eléctrica cerca de materiales inflamables.** Las chispas pueden llegar a inflamar estos materiales.
- ◆ **No utilice accesorios que necesiten refrigerantes líquidos.** El uso de agua u otros refrigerantes líquidos puede provocar electrocuciones o descargas eléctricas.

Nota: La advertencia anterior no afecta a las herramientas eléctricas diseñadas específicamente para ser utilizadas con un sistema de líquidos.

Retroceso y advertencias relacionadas

El retroceso es una reacción repentina que se produce cuando el disco giratorio, el plato de apoyo, el cepillo o cualquier otro accesorio se engancha. El enganche hace que el accesorio giratorio se paralice rápidamente, lo que a su vez puede provocar que la herramienta eléctrica sin control funcione en dirección opuesta a la rotación del accesorio en el punto de bloqueo.

Por ejemplo, si un disco abrasivo se engancha con la pieza de trabajo, el borde del disco que está adentrándose en el punto de enganche puede introducirse en la superficie del material provocando que el disco salga fuera o disparado. El disco puede saltar hacia el usuario o en otra dirección, dependiendo de la dirección del movimiento del disco en el punto de enganche.

En estas condiciones, los discos abrasivos también pueden romperse.

El retroceso se debe a la utilización inadecuada o a procedimientos o condiciones de trabajo incorrectos y puede evitarse tomando las precauciones que se detallan a continuación.

- ◆ **Sujete firmemente la empuñadura de la herramienta eléctrica y coloque el cuerpo y el brazo de modo que pueda soportar los retrocesos.** Utilice siempre una empuñadura auxiliar, si se incluye, para obtener un máximo control sobre el retroceso o reacción de torsión durante el arranque. Si se toman las precauciones adecuadas, el usuario puede controlar las reacciones de torsión o retrocesos.
- ◆ **Nunca coloque su mano cerca de un accesorio giratorio.** El accesorio puede retroceder sobre su mano.
- ◆ **No coloque su cuerpo en el área en la que la herramienta eléctrica se moverá si se produce un retroceso.** El retroceso hará que la herramienta se vea empujada en dirección opuesta al movimiento del disco en el punto de enganche.
- ◆ **Tenga especial cuidado cuando trabaje en zonas con esquinas, bordes afilados, etc.** Evite que el accesorio rebote o se enganche. Las esquinas, bordes afilados o rebotes tienen tendencia a enganchar el accesorio giratorio y provocar la pérdida del control o retroceso.
- ◆ **No use una hoja de sierra mecánica para cortar madera u hoja de sierra dentada.** Este tipo de hojas crean frecuentes retrocesos y pérdidas de control.

Advertencias de seguridad específicas para amolado y operaciones de corte abrasivas

- ◆ **Utilice solo los tipos de discos recomendados para la herramienta eléctrica y el protector específico diseñado para el disco seleccionado.** Los discos para los que no ha sido diseñada la herramienta eléctrica no se pueden proteger adecuadamente y no son seguros.

- ◆ **El protector debe acoplarse de forma segura a la herramienta eléctrica y colocarse para brindar la máxima seguridad posible, de tal forma que quede la menor cantidad de disco expuesta en dirección al usuario.** El protector ayuda a proteger al usuario de los fragmentos del disco rotos y del contacto accidental con el disco.
- ◆ **Los discos se deben utilizar únicamente para los usos recomendados. Por ejemplo: no amolar con el lateral del disco de corte.** Los discos de corte abrasivos están diseñados para el pulido periférico, y si se aplican fuerzas laterales a estos discos, pueden romperse.
- ◆ **Utilice siempre bridas de discos que no estén dañadas y con el tamaño y forma correctos para el disco seleccionado.** Las bridas de discos adecuadas sostienen el disco, por lo que se reduce la posibilidad de que se rompa. Las bridas para los discos de corte pueden variar con respecto a las bridas de discos para amolar.
- ◆ **No utilice discos desgastados de herramientas eléctricas de mayor tamaño.** Los discos diseñados para herramientas eléctricas de mayor tamaño no son adecuados para las velocidades más elevadas de las herramientas más pequeñas y podrían romperse.

Advertencias de seguridad adicionales para operaciones de corte abrasivas

- ◆ **No bloquee el disco de corte ni aplique una presión excesiva sobre este. No intente realizar un corte excesivamente profundo.** Una presión excesiva sobre el disco puede aumentar la carga y la posibilidad de que el disco se doble o se bloquee durante el corte, además de aumentar la probabilidad de que se produzcan retrocesos o roturas del disco.
- ◆ **No coloque su cuerpo en la línea de corte y detrás del disco giratorio.** Durante el funcionamiento, cuando el disco se aleje de su cuerpo, un posible retroceso podría impulsar el disco giratorio y la herramienta eléctrica directamente hacia usted.
- ◆ **Si el disco se bloquea o si, por algún motivo, se interrumpe el corte, desconecte la herramienta y no la mueva hasta que el disco se haya detenido por completo. Nunca intente sacar el disco de corte mientras este se encuentre en funcionamiento, ya que podría producirse un retroceso.** Investigue y adopte las medidas correctoras necesarias para eliminar la causa del bloqueo del disco.
- ◆ **No reinicie la operación de corte en la pieza de trabajo. Deje que el disco alcance la velocidad máxima y vuelva a introducirlo en el corte cuidadosamente.** Si la herramienta se reinicia en la pieza de trabajo, el disco puede bloquearse, desplazarse o retroceder.

- ◆ **Sujete los paneles o cualquier pieza de trabajo de grandes dimensiones a fin de minimizar el riesgo de que el disco quede atrapado o salga despedido hacia atrás.** Las piezas de trabajo tienen tendencia a combarse por su propio peso. Se deben colocar soportes debajo de la pieza de trabajo, cerca de la línea de corte y cerca del borde de la pieza de trabajo a ambos lados del disco.
- ◆ **Adopte medidas de precaución extraordinarias cuando efectúe un "corte de cavidad" en muros u otras zonas ciegas.** La parte que sobresale del disco podría cortar tuberías de gas o agua, cables eléctricos u objetos que pueden provocar un retroceso.

Advertencias de seguridad específicas para operaciones de lijado

- ◆ **No utilice papel de lija para el disco demasiado grande. Siga las recomendaciones del fabricante a la hora de seleccionar el papel de lija.** El papel de lija más grande que sobresale de la almohadilla de lijado presenta un riesgo de laceración y podría provocar que el disco se enganche, se rompa o que retroceda.

Advertencias de seguridad específicas para operaciones de pulido

- ◆ **No permita que ninguna parte suelta de la cubierta para pulido o sus cuerdas accesorias giren sin control. Aparte o recorte cualquier cuerda accesorias.** Las cuerdas accesorias sueltas y que giran pueden enredarse en sus dedos o engancharse en la pieza de trabajo.

Advertencias de seguridad específicas para operaciones de cepillado metálico

- ◆ **Tenga en cuenta que el cepillo expulsa cerdas metálicas incluso durante las operaciones normales. No ejerza presión sobre los alambres aplicando una carga excesiva en el cepillo.** Las cerdas metálicas pueden penetrar con facilidad en la ropa ligera o la piel.
- ◆ **Si es recomendable el uso de un protector para el cepillo metálico, no permita que dicho protector interfiera con el disco o el cepillo.** El disco o el cepillo de alambre pueden expandir su diámetro debido a la carga de trabajo y a los movimientos centrifugos.

Seguridad de terceros

- ◆ Ninguna persona (incluyendo niños) con capacidades físicas, sensoriales o mentales disminuidas, o que carezca de experiencia y conocimientos, debe utilizar este aparato, salvo que haya recibido supervisión o formación con respecto al uso del aparato por parte de una persona responsable de su seguridad.
- ◆ Los niños deben vigilarse en todo momento para garantizar que el aparato no se toma como elemento de juego.

Riesgos residuales.

El uso de esta herramienta puede producir riesgos residuales adicionales no incluidos en las advertencias de seguridad adjuntas. Estos riesgos se pueden generar por un uso incorrecto, demasiado prolongado, etc.

El cumplimiento de las normas de seguridad correspondientes y el uso de dispositivos de seguridad no evitan ciertos riesgos residuales. Estos riesgos incluyen:

- ◆ Lesiones producidas por el contacto con piezas móviles o giratorias.
- ◆ Lesiones producidas al cambiar cualquier pieza, cuchilla o accesorio.
- ◆ Lesiones producidas al usar una herramienta por un tiempo demasiado prolongado. Si utiliza una herramienta durante períodos de tiempo demasiado prolongados, asegúrese de realizar pausas con frecuencia.
- ◆ Discapacidad auditiva.
- ◆ Riesgos para la salud producidos al respirar el polvo que se genera al usar la herramienta (por ejemplo: en los trabajos con madera, especialmente de roble, haya y tableros de densidad mediana).

Vibración

El valor de emisión de vibraciones declarado en el apartado de características técnicas y en la declaración de conformidad se ha calculado según un método de prueba estándar proporcionado por la norma EN 60745 y puede utilizarse para comparar una herramienta con otra. El valor de emisión de vibraciones especificado también podrá utilizarse en una evaluación preliminar de la exposición.

¡Atención! El valor de emisión de vibraciones durante el funcionamiento real de la herramienta eléctrica puede diferir del valor declarado en función de cómo se utilice dicha herramienta. El nivel de las vibraciones puede superar el indicado.

Al evaluar la exposición a las vibraciones con el fin de determinar las medidas de seguridad que exige la norma 2002/44/CE para proteger a las personas que utilizan periódicamente herramientas eléctricas en el entorno laboral, deberá tenerse en cuenta una estimación de la exposición a las vibraciones, las condiciones de uso reales y el modo de empleo de la herramienta, así como los pasos del ciclo operativo como, por ejemplo, el número de veces que la herramienta se apaga, el tiempo que está parada y el tiempo de activación.

Etiquetas en la herramienta

Encontrará los siguientes pictogramas en la herramienta:



¡Atención! Para reducir el riesgo de lesiones, el usuario debe leer el manual de instrucciones.



Cuando utilice la herramienta, lleve siempre gafas protectoras.



Cuando utilice la herramienta, utilice siempre protección para los oídos.

Seguridad eléctrica



Esta herramienta lleva un doble aislamiento; por lo tanto, no requiere una toma a tierra. Compruebe siempre que la tensión de la red corresponda con el valor indicado en la placa de datos de la herramienta.

- ◆ Si se dañara el cable de alimentación, deberá ser sustituido por el fabricante o un centro de asistencia técnica autorizado de Stanley Fat Max para evitar cualquier situación de riesgo.

Características

Esta herramienta incluye una o más de las siguientes características.

1. Interruptor de encendido/apagado
2. Empuñadura lateral
3. Bloqueo del eje
4. Protector de amolado

Montaje

¡Atención! Antes de proceder al montaje, compruebe que la herramienta está apagada y desenchufada.

Ajuste y desmontaje del protector (fig. A)

La herramienta se suministra con un protector que está diseñado para realizar trabajos de amolado y de corte. Asegúrese de utilizar el protector adecuado específico para el trabajo que va a realizar. Si la unidad se ha diseñado para realizar operaciones de corte, se debe colocar un protector específico para esta operación (17, Fig F).

Montaje

- ◆ Coloque la herramienta encima de una mesa con el eje (5) mirando hacia arriba.
- ◆ Libere el bloqueo de sujeción (7) y mantenga el protector (4) sobre la herramienta tal como se indica.
- ◆ Alinee los salientes (8) con las muescas (9).
- ◆ Pulse el protector hacia abajo y gírelo en el sentido contrario a las agujas del reloj hasta la posición indicada.
- ◆ Sujete el bloqueo de sujeción (7) y asegure el protector en la herramienta.
- ◆ Si es necesario, apriete el tornillo (6) para aumentar la fuerza de sujeción.

Desmontaje

- ◆ Libere el bloqueo de sujeción (7).
- ◆ Gire el protector en el sentido contrario a las agujas del reloj para alinear los salientes (8) con las muescas (9).
- ◆ Retire el protector de la herramienta.

¡Atención! Nunca utilice la herramienta sin el protector.

Montaje de la empuñadura lateral

- ◆ Atornille la empuñadura lateral (2) en uno de los orificios de montaje de la herramienta.

¡Atención! Utilice siempre la empuñadura lateral.

Instalación y desmontaje de un disco de corte o de amolado (figs. B - D)

Utilice siempre el tipo de disco adecuado para cada aplicación. Utilice siempre discos con el diámetro y tamaño del diámetro interior adecuados (consulte la ficha técnica).

Montaje

- ◆ Coloque el protector como se ha descrito anteriormente.
- ◆ Coloque la brida interior (10) en el eje (5) tal y como se indica (fig. B). Asegúrese de que la brida está colocada correctamente en las superficies planas del eje.
- ◆ Coloque el disco (11) en el eje (5) tal y como se indica (fig. B). Si el disco cuenta con un centro elevado (12), asegúrese de que dicho centro está orientado hacia la brida interior.
- ◆ Asegúrese de que el disco está colocado correctamente en la brida interior.
- ◆ Coloque la brida exterior (13) en el eje. Cuando se coloca un disco de amolado, el centro elevado en la brida exterior debe estar orientado hacia el disco (A en fig. C). Cuando se coloca un disco de corte, el centro elevado en la brida exterior debe estar orientado en dirección hacia el exterior del disco (B en fig. C).
- ◆ Mantenga presionado el bloqueo del eje (3) y ajuste la brida exterior utilizando la llave de dos pivotes (14) (fig. D).

Desmontaje

- ◆ Mantenga presionado el bloqueo del eje (3) y suelte la brida exterior (13) utilizando la llave de dos pivotes (14) (fig. D).
- ◆ Extraiga la brida exterior (13) y el disco (11).

Montaje y desmontaje de los discos de lijado (figs. D y E)

Es necesario un plato de apoyo para el lijado. El plato de apoyo está disponible en su distribuidor de Stanley Fat Max como accesorio.

Montaje

- ◆ Coloque la brida interior (10) en el eje (5) tal y como se indica (fig. E). Asegúrese de que la brida está colocada correctamente en las superficies planas del eje.
- ◆ Coloque el plato de apoyo (15) en el eje.
- ◆ Coloque el disco de lijado (16) en el plato de apoyo.
- ◆ Coloque la brida exterior (13) en el eje, con el centro elevado en dirección hacia el exterior del disco.
- ◆ Mantenga presionado el bloqueo del eje (3) y ajuste la brida exterior utilizando la llave de dos pivotes (14) (fig. D). Asegúrese de que la brida exterior está colocada correctamente y que el disco está sujeto firmemente.

Desmontaje

- ◆ Mantenga presionado el bloqueo del eje (3) y suelte la brida exterior (13) utilizando la llave de dos pivotes (14) (fig. D).
- ◆ Extraiga la brida exterior (13), el disco de lijado (16) y el plato de apoyo (15).

Uso

¡Atención! Deje que la herramienta funcione a su ritmo. No la sobrecargue.

- ◆ Guíe el cable con cuidado para evitar cortarlo accidentalmente.
- ◆ Tenga en cuenta que se pueden producir chispas cuando el disco de amolado o de corte entre en contacto con la pieza de trabajo.
- ◆ Coloque siempre la herramienta de tal forma que el protector proporcione la máxima protección del disco de amolado o de corte.

Encendido y apagado

- ◆ Para encender la herramienta, deslice el interruptor de encendido y apagado (1) hacia adelante y, a continuación, presiónelo. Tenga en cuenta que la herramienta continuará funcionando cuando suelte el interruptor.
- ◆ Para apagar la herramienta, presione la parte posterior del interruptor de encendido/apagado.

¡Atención! No apague la herramienta cuando esta tenga carga.

Consejos para un uso óptimo

- ◆ Sujete firmemente la herramienta con una mano alrededor de la empuñadura lateral y con la otra mano alrededor de la empuñadura principal.
- ◆ Al amolar, mantenga siempre un ángulo de aproximadamente 15° entre el disco y la superficie de la pieza de trabajo.

Mantenimiento

Este aparato o herramienta con o sin cable de Stanley Fat Max se ha diseñado para que funcione durante un largo período de tiempo con un mantenimiento mínimo. El funcionamiento satisfactorio continuado depende de un cuidado apropiado y una limpieza periódica de la herramienta.

¡Atención! Antes de realizar el mantenimiento de herramientas eléctricas con o sin cables:

- ◆ Apague y desenchufe el aparato o herramienta.
- ◆ O bien, apague y extraiga las pilas o la batería del aparato o herramienta, en caso de que disponga de una batería separada.
- ◆ O bien, deje que la batería se agote por completo si es integral y, a continuación, apague el aparato.
- ◆ Desenchufe el cargador antes de limpiarlo. El cargador no requiere ningún mantenimiento especial excepto la limpieza periódica.
- ◆ Limpie periódicamente las ranuras de ventilación de la herramienta, aparato o cargador con un cepillo suave o un paño seco.
- ◆ Limpie periódicamente la carcasa del motor con un paño húmedo. No utilice limpiadores de base abrasiva o disolventes.
- ◆ Abra regularmente el portabrocas y golpéelo suavemente para eliminar los restos de polvo que haya en su interior (si se encuentra colocado).

Sustitución del enchufe de la red eléctrica (sólo para el Reino Unido e Irlanda)

Si es necesario colocar un nuevo enchufe para la red eléctrica:

- ◆ Deseche el enchufe anterior según las normas de seguridad.
- ◆ Conecte el cable marrón al terminal conductor del nuevo enchufe.
- ◆ Conecte el cable azul al terminal neutro.

¡Atención! No se debe realizar ninguna conexión al terminal de conexión a tierra. Siga las instrucciones de montaje que se suministran con los enchufes de buena calidad. Fusible recomendado: 13 A.

Protección del medio ambiente



Recogida selectiva. No se debe desechar este producto con el resto de residuos domésticos.

Si llegase el momento en que fuese necesario sustituir su producto Stanley Fat Max o si este dejase de tener utilidad para usted, no lo deseche junto con los residuos domésticos. Sepárelo para su recogida selectiva.



La recogida selectiva de productos y embalajes usados permite el reciclaje de materiales y su reutilización. La reutilización de materiales reciclados contribuye a evitar la contaminación medioambiental y reduce la demanda de materias primas.

Las normativas municipales deben ofrecer la recogida selectiva de productos eléctricos del hogar en puntos municipales previstos para tal fin o a través del distribuidor cuando adquiera un nuevo producto.

Stanley Europe proporciona facilidades para la recogida y reciclado de los productos Stanley Fat Max que han llegado al final de su vida útil. Para poder utilizar este servicio, le rogamos que entregue el producto a cualquier agente de servicio técnico autorizado para que se haga cargo de él en nuestro nombre.

Puede consultar la dirección de su agente de servicio técnico más cercano si se pone en contacto con la oficina local de Stanley Europe en la dirección que se indica en este manual. Como alternativa puede consultar la lista de servicios técnicos autorizados de Stanley Europe y obtener la información completa de nuestros servicios de posventa y los contactos disponibles en la siguiente dirección de Internet: www.2helpU.com

Ficha técnica

		FME811 (Tipo 1)	FME812 (Tipo 1)
Voltaje de entrada	V_{ca}	230	230
Potencia de entrada	W	850	850
Velocidad sin carga	min^{-1}	12,000	12,000
Diámetro del disco	mm	115	125
Diámetro interior del disco	mm	22	22
Grosor máximo del disco			
Discos de amolado	mm	6	6
Discos de corte	mm	3,5	3,5
Tamaño del eje		M14	M14
Peso	kg	2,1	2,1

L_{pA} (presión acústica) 94.5 dB(A), incertidumbre (K) 3 dB(A)
L_{WA} (potencia acústica) 105.5 dB(A), incertidumbre (K) 3 dB(A)
Valores totales de vibración (suma vectorial triaxial) de acuerdo con la directiva EN 60745:
Amolado de superficies ($a_{h,SG}$) 9.9 m/s ² , incertidumbre (K) 1.5 m/s ²
Corte (a_h) 9.1 m/s ² , incertidumbre (K) 1.5 m/s ²
Pulido ($a_{h,p}$) 5.0 m/s ² , incertidumbre (K) 1.5 m/s ²
Pulido con disco ($a_{h,DS}$) 3.3 m/s ² , incertidumbre (K) 1.5 m/s ²
Cepillado metálico ($a_{h,m}$) 9.2 m/s ² , incertidumbre (K) 1.5 m/s ²

Declaración de conformidad de la CE

DIRECTIVA DE MAQUINARIAS



FME811 / FME812

Stanley Europe declara que los productos descritos en la "ficha técnica" cumplen con las siguientes directrices: 2006/42/CE, EN 60745-1, EN 60745-2-3

Estos productos también cumplen con las Directivas 2004/108/CE y 2011/65/UE. Si desea obtener más información, póngase en contacto con Stanley Europe a través de la siguiente dirección o consulte el dorso del manual.

La persona que firma a continuación es responsable de la elaboración del archivo técnico y realiza esta declaración en nombre de Stanley Europe.

Kevin Hewitt
 Vicepresidente de Ingeniería global
 Stanley Europe, Egide Walschaertsstraat 14-18,
 2800 Mechelen, Bélgica
 19/04/2013

Stanley Europe confía plenamente en la calidad de sus productos y ofrece una garantía extraordinaria destinada a usuarios profesionales del producto. Esta declaración de garantía es un añadido y en ningún caso un perjuicio a sus derechos legales como usuario no profesional privado. La garantía es válida dentro de los territorios de los Estados miembros de la Unión Europea y de los de la Zona Europea de Libre Comercio.

UN AÑO DE GARANTÍA TOTAL

Si un producto Stanley Fat Max resultara defectuoso debido a materiales o mano de obra defectuosos, Stanley Europe garantiza, dentro de los 12 meses de la fecha de compra, la sustitución de las piezas defectuosas sin cargo alguno o, según nuestro criterio, la sustitución de la unidad sin cargo alguno siempre que:

- ◆ El producto no se ha sometido a un uso inadecuado o se ha utilizado de acuerdo con este manual de instrucciones.
- ◆ El producto se ha sometido a un desgaste y rotura razonables.
- ◆ Personal no autorizado no ha intentado reparar el producto.
- ◆ Se aporta prueba de compra.
- ◆ Se devuelve el producto Stanley Fat Max completo con todos los componentes originales.

Si desea realizar una reclamación, póngase en contacto con su vendedor o consulte la dirección de su servicio técnico especializado autorizado de Stanley Fat Max más cercano que aparece en el catálogo de Stanley Fat Max o póngase en contacto con la oficina de Stanley en la dirección que se indica en este manual. Puede consultar la lista de servicios técnicos autorizados de Stanley Fat Max y obtener la información completa de nuestros servicios de posventa disponibles en la siguiente dirección de Internet: www.stanley.eu/3

Garantía

Utilização prevista

O seu esmerilador angular Stanley Fat Max foi concebido para esmerilar e cortar metal e pedra com o tipo correcto de disco de corte ou esmeril. Quando equipado com o protector, esta ferramenta destina-se a profissionais e privadas, usuários não-profissionais.

Instruções de segurança

Avisos de segurança gerais para ferramentas eléctricas



Atenção! Leia com atenção todos os avisos de segurança e instruções. O não cumprimento dos seguintes avisos e instruções pode resultar em choque eléctrico, incêndio e/ou graves lesões.

Guarde todos os avisos e instruções para futura referência. A expressão "ferramenta eléctrica" utilizada a seguir refere-se a ferramentas eléctricas com ligação à corrente eléctrica (com cabo) ou com bateria (sem fios).

1. **Segurança na área de trabalho**
 - a. **Mantenha a área de trabalho limpa e bem iluminada.** Áreas desarrumadas ou mal iluminadas são propícias a acidentes.
 - b. **Não trabalhe com ferramentas eléctricas em áreas com risco de explosão, nas quais se encontrem líquidos, gases ou poeiras inflamáveis.** As ferramentas eléctricas produzem faíscas que podem provocar a ignição de poeiras ou vapores.
 - c. **Mantenha crianças e outras pessoas afastadas durante a utilização da ferramenta eléctrica.** As distrações podem dar origem a que perca o controlo da ferramenta.
2. **Segurança eléctrica**
 - a. **A ficha da ferramenta eléctrica deve caber na tomada. A ficha não deve ser modificada de modo algum. Não utilize quaisquer fichas adaptadoras em ferramentas eléctricas com ligação à terra.** Fichas sem modificações e tomadas adequadas reduzem o risco de choques eléctricos.
 - b. **Evite que o corpo entre em contacto com superfícies ligadas à terra, como tubos, radiadores, fogões e frigoríficos.** Existe um maior risco de choque eléctrico se o seu corpo estiver ligado à terra.
 - c. **As ferramentas eléctricas não podem ser expostas a chuva nem humidade.** A penetração de água na ferramenta eléctrica aumenta o risco de choques eléctricos.
 - d. **Manuseie o cabo com cuidado. O cabo não deve ser utilizado para transportar ou pendurar a ferramenta, nem para puxar a ficha da tomada. Mantenha o cabo afastado de calor, óleo, pontas afiadas ou partes móveis.** Cabos danificados ou torcidos aumentam o risco de choques eléctricos.
 - e. **Quando trabalhar com uma ferramenta eléctrica ao ar livre, utilize um cabo de extensão apropriado para esse fim.** A utilização de um cabo apropriado para áreas ao ar livre reduz o risco de choques eléctricos.
 - f. **Se for inevitável trabalhar com uma ferramenta eléctrica num local húmido, utilize um Dispositivo de Corrente Residual (RCD).** A utilização de um RCD reduz o risco de choque eléctrico.
3. **Segurança pessoal**
 - a. **Mantenha-se atento, observe o que está a fazer e seja prudente ao trabalhar com a ferramenta eléctrica. Não utilize uma ferramenta eléctrica se estiver cansado ou sob a influência de drogas, álcool ou medicamentos.** Um momento de falta de atenção durante a utilização de ferramentas eléctricas poderá causar graves lesões.
 - b. **Utilize equipamento de protecção pessoal. Use sempre óculos de protecção.** Equipamento de protecção como, por exemplo, máscara anti-poeiras, sapatos de segurança anti-derrapantes, capacete de segurança ou protecção auricular, de acordo com o tipo e a aplicação de ferramenta eléctrica, reduz o risco de lesões.
 - c. **Evite arranques involuntários. Certifique-se de que o botão está desligado antes de ligar a ferramenta à corrente eléctrica e/ou à bateria, e antes de pegar ou transportar a ferramenta.** Transportar ferramentas eléctricas com o dedo no botão ou ligar ferramentas eléctricas à tomada com o interruptor na posição de ligado pode dar origem a acidentes.
 - d. **Retire eventuais chaves de ajuste ou chaves de fenda antes de ligar a ferramenta eléctrica.** Uma chave de fenda ou chave de ajuste que se encontre numa peça em rotação da ferramenta eléctrica poderá causar lesões.
 - e. **Não se incline. Mantenha-se sempre bem posicionado e em equilíbrio.** Desta forma, será mais fácil controlar a ferramenta eléctrica em situações inesperadas.
 - f. **Utilize vestuário adequado. Não utilize roupas largas nem jóias. Mantenha o cabelo, roupa e luvas afastados de peças em movimento.** Roupas largas, jóias ou cabelos longos podem ficar presos nas peças em movimento.
 - g. **Se for prevista a montagem de dispositivos de extracção e recolha de pó, assegure-se de que estão ligados e que são utilizados de forma correcta.** A recolha das poeiras pode reduzir os riscos provocados por poeiras.

4. Utilização e manutenção da ferramenta eléctrica

- a. **Não sobrecarregue a ferramenta eléctrica.** Utilize a ferramenta eléctrica adequada para o trabalho pretendido. A ferramenta eléctrica correcta realizará o trabalho de forma melhor e mais segura, com a potência com que foi concebida.
- b. **Não utilize a ferramenta eléctrica se o interruptor não puder ser ligado nem desligado.** Qualquer ferramenta eléctrica que não possa ser controlada com o interruptor é perigosa e terá de ser reparada.
- c. **Desligue a ficha da tomada e/ou a bateria da tomada antes de proceder a ajustes, trocar acessórios ou guardar ferramentas eléctricas.** Estas medidas de prevenção de segurança reduzem o risco de ligação inadvertida da ferramenta eléctrica.
- d. **Mantenha as ferramentas eléctricas que não estiverem a ser utilizadas fora do alcance de crianças. Não permita que a ferramenta eléctrica seja utilizada por pessoas não familiarizadas com a mesma ou que não tenham lido estas instruções.** As ferramentas eléctricas são perigosas se utilizadas por pessoas não qualificadas.
- e. **Efectue a manutenção das ferramentas eléctricas. Verifique se as partes móveis estão desalinhasadas ou bloqueadas, se existem peças partidas ou qualquer outra situação que possa afectar o funcionamento das ferramentas eléctricas.** As peças danificadas devem ser reparadas antes da utilização da ferramenta eléctrica. Muitos acidentes têm como causa uma manutenção insuficiente das ferramentas eléctricas.
- f. **Mantenha as ferramentas de corte sempre afiadas e limpas.** As ferramentas de corte com a manutenção adequada e extremidades afiadas bloqueiam com menos frequência e são mais fáceis de controlar.
- g. **Utilize a ferramenta eléctrica, acessórios e peças de ferramenta de acordo com estas instruções, considerando as condições de trabalho e a tarefa a ser executada.** A utilização da ferramenta eléctrica para fins diferentes dos previstos pode resultar em situações perigosas.

5. Reparação

- a. **A sua ferramenta eléctrica só deve ser reparada por pessoal qualificado e só devem ser colocadas peças sobressalentes originais.** Isso garante a manutenção da segurança da ferramenta eléctrica.

- ◆ **Esta ferramenta eléctrica destina-se a ser utilizada como esmerilador, lixadora, escova metálica, polidora ou ferramenta de corte.** Leia todos os avisos de segurança, instruções, ilustrações e especificações fornecidos com esta ferramenta eléctrica. O não cumprimento das instruções a seguir pode causar choque eléctrico, incêndio e/ou graves lesões.
- ◆ **Operações para as quais esta ferramenta eléctrica não tenha sido concebida poderão ser perigosas e provocar ferimentos.**
- ◆ **Não utilize acessórios que não sejam especificamente concebidos e recomendados pelo fabricante da ferramenta.** Mesmo que o acessório possa ser ligado à ferramenta eléctrica, isso não garante um funcionamento seguro.
- ◆ **A velocidade nominal do acessório deve ser, pelo menos, igual à velocidade máxima assinalada na ferramenta eléctrica.** Acessórios que funcionem a uma velocidade superior à respectiva velocidade nominal podem partir-se e saltar.
- ◆ **O diâmetro exterior e a espessura do acessório devem estar dentro dos limites de capacidade da ferramenta eléctrica.** Não será possível proteger ou controlar de forma adequada acessórios com o tamanho incorrecto.
- ◆ **O tamanho de encaixe das rodas, flanges, protecções ou qualquer outro acessório deve encaixar correctamente no eixo da ferramenta eléctrica.** Acessórios com orifícios de encaixe que não correspondam ao acessório de montagem da ferramenta eléctrica ficarão desequilibrados, com vibração excessiva e poderão resultar em perda de controlo.
- ◆ **Não utilize um acessório danificado.** Antes de cada utilização, inspecione o acessório, procurando, por exemplo, lascas ou rachas em rodas abrasivas, rachas ou desgaste excessivo em protecções e fios soltos ou partidos em escovas metálicas. Se a ferramenta eléctrica ou o acessório cair, verifique se existem danos ou instale um acessório não danificado. Depois de inspecionar e instalar um acessório e funcionar com a ferramenta eléctrica à velocidade máxima sem carga durante um minuto. Acessórios danificados normalmente partem-se durante este período de teste.

Avisos de segurança adicionais para ferramentas eléctricas



Atenção! Avisos de segurança adicionais para operações de esmerilação, lixadela, escovagem metálica, polimento ou corte abrasivo

- ◆ **Utilize equipamento de protecção pessoal.** Dependendo da aplicação, utilize protecção para a face, óculos ou viseiras de protecção. Conforme necessário, utilize uma máscara anti-poeira, protecção auricular, luvas e avental de oficina capaz de deter pequenos fragmentos abrasivos. O protecção para os olhos deve ser capaz de deter detritos em movimento gerados por diversas operações. A máscara anti-poeira ou o respirador deve ser capaz de filtrar partículas geradas pelo que está a fazer. A exposição prolongada a ruídos de elevada intensidade pode provocar perdas auditivas.
- ◆ **Mantenha as pessoas a uma distância segura da área de trabalho. Quem entrar na área de trabalho deverá usar equipamento de protecção pessoal.** Fragmentos de peças ou de um acessório partido podem saltar e provocar ferimentos para lá da área de trabalho imediata.
- ◆ **Segure a ferramenta eléctrica apenas pelas áreas isoladas quando executar uma operação em que o acessório de corte possa entrar em contacto com a cablagem oculta ou o seu próprio cabo.** Cortar um acessório em contacto com um cabo "electrificado" poderá expor peças metálicas do sistema eléctrico da ferramenta e provocar choques ao operador.
- ◆ **Afaste o cabo do acessório rotativo.** Se perder o controlo, o cabo poderá ser cortado ou ficar preso e a mão ou o braço pode ser puxado para o acessório rotativo.
- ◆ **Nunca largue a ferramenta eléctrica até que o acessório pare completamente.** O acessório rotativo poderá agarrar-se à superfície e fazê-lo perder o controlo da ferramenta eléctrica.
- ◆ **Não trabalhe com a ferramenta eléctrica enquanto a tiver a tira colado.** O contacto accidental com o acessório rotativo pode prender a roupa, entrando o acessório em contacto com o corpo.
- ◆ **Limpe regularmente as condutas de ventilação da ferramenta eléctrica.** A ventoinha do motor puxa poeiras para o interior do compartimento, sendo que a acumulação excessiva de poeiras de metal pode provocar perigos eléctricos.
- ◆ **Não utilize a ferramenta eléctrica junto a materiais inflamáveis.** Faiscas podem inflamar estes materiais.
- ◆ **Não utilize acessórios que necessitem de líquidos refrigerantes.** A utilização de água ou de outros líquidos refrigerantes poderá resultar em electrocussão ou choque.

Nota: A aviso anterior não se aplica a ferramentas eléctricas especificamente concebidas para utilizar com um sistema líquido.

Contra-golpes e avisos relacionados

Um contra-golpe é uma reacção súbita a uma roda rotativa, protecção de escova ou qualquer outro acessório entalado ou preso. Elementos entalados ou presos provocam o rápido encravamento do acessório rotativo, o que, por sua vez, faz com que a ferramenta eléctrica descontrolada seja forçada na direcção oposta à rotação do acessório no ponto de ligação.

Por exemplo, se uma roda abrasiva ficar entalada ou presa pela peça, a extremidade da roda em contacto com o ponto de entalamento pode furar a superfície do material, fazendo com que a roda se eleve ou salte. A roda pode saltar no sentido do operador ou afastar-se dele, dependendo da direcção do movimento da roda no ponto de entalamento. Rodas abrasivas também podem partir nestas condições.

Um contra-golpe é o resultado de uma utilização errada da ferramenta e/ou de procedimentos ou condições de utilização incorrectos, podendo ser evitado com medidas de precaução apropriadas, conforme descrito em seguida.

- ◆ **Segure firmemente a ferramenta eléctrica e posicione o corpo e o braço de modo a permitir resistência às forças de um contra-golpe.** Utilize sempre o punho auxiliar, se existir, para controlar ao máximo o contra-golpe ou a reacção ao binário quando liga a ferramenta. O operador pode controlar as reacções ao binário ou forças de contra-golpe, tomando as precauções adequadas.
- ◆ **Nunca coloque a mão perto do acessório rotativo.** O acessório poderá saltar para a sua mão.
- ◆ **Não posicione o corpo na área em que a ferramenta eléctrica passará se ocorrer um contra-golpe.** O contra-golpe impulsionará a ferramenta na direcção oposta ao movimento da roda no ponto em que ficar entalada.
- ◆ **Tenha muito cuidado quando trabalhar em cantos, extremidades afiadas, etc.** Evite balançar e entalar o acessório. Cantos, extremidades afiadas ou balanços tendem a entalar o acessório rotativo e provocam perda de controlo ou contra-golpes.
- ◆ **Não ligue uma lâmina de entalhar madeira de corrente ou uma lâmina de serra com dentes.** Este tipo de lâminas provocam contra-golpes e perdas de controlo frequentes.

Avisos de segurança específicos para operações de esmerilhão e corte abrasivo

- ◆ **Utilize apenas tipos de rodas recomendadas para a ferramenta eléctrica e a protecção específica concebida para a roda seleccionada.** Rodas para as quais esta ferramenta eléctrica não tenha sido concebida não poderão ser protegidas de forma adequada e serão perigosas.

- ◆ **A protecção deverá estar bem fixada à ferramenta e posicionada de forma a proporcionar a máxima segurança, de forma a que o operador esteja exposto à menor extensão de roda possível.** A protecção ajuda a proteger o operador contra fragmentos de roda partidos e contacto acidental com a roda.
- ◆ **As rodas só devem ser utilizadas para as aplicações recomendadas. Por exemplo: não esmerile com o lado da roda de corte.** As rodas de corte abrasivo destinam-se a esmerilação periférica, sendo que as forças laterais aplicadas a estas rodas podem fazer com que se partam.
- ◆ **Utilize sempre flanges de rodas não danificadas com o tamanho e a forma correctos para a roda seleccionada.** Flanges de rodas correctas suportam a roda, reduzindo a possibilidade desta se partir. As flanges para rodas de corte podem ser diferentes das flanges para rodas de esmerilação.
- ◆ **Não utilize rodas desgastadas de ferramentas eléctricas maiores.** Uma roda destinada a uma ferramenta eléctrica maior não é adequada para a velocidade superior de uma ferramenta mais pequena e poderá reventar.

- ◆ **Apoie painéis ou qualquer peça de grandes dimensões para minimizar o risco de prisão da roda e de contra-golpe.** Peças grandes tendem a ceder com o seu próprio peso. Devem ser colocados apoios debaixo da peça, junto à linha de corte e junto à extremidade da peça, em ambos os lados da roda.
- ◆ **Tenha especial cuidado quando efectuar um corte pequeno em paredes existentes ou outras áreas ocultas.** A roda saliente poderá cortar condutas de gás ou água, cablagens eléctricas ou objectos que podem provocar contra-golpes.

Avisos de segurança específicos para operações de lixadeira

- ◆ **Não utilize papel de disco para lixar com dimensões excessivas. Siga as recomendações dos fabricantes quando seleccionar o papel para lixar.** Papel para lixar com maiores dimensões que excedam a respectiva base representa um perigo de laceração que pode fazer com que o disco fique entalado ou se parta ou ainda provocar contra-golpes.

Avisos de segurança específicos para operações de polimento

- ◆ **Não permita que partes soltas da cobertura de polimento ou respectivos fios de ligação rodem livremente. Recolha ou corte fios de ligação soltos.** Fios de ligação soltos e a rodar podem enlear-se nos seus dedos ou prender-se na peça.

Avisos de segurança específicos para operações de escovagem metálica

- ◆ **Tenha em atenção que a escova projecta cerdas metálicas, mesmo durante o funcionamento normal. Não exerça demasiada pressão nos fios, aplicando carga excessiva sobre a escova.** As cerdas metálicas podem perfurar facilmente roupas finas e/ou a pele.
- ◆ **Se for recomendada a utilização de uma protecção para escovagem metálica, não permite qualquer interferência da roda metálica ou da escova com a protecção.** A roda ou a escova metálica pode aumentar de diâmetro devido à carga de trabalho e às forças centrífugas.

Segurança de terceiros

- ◆ **Este aparelho não deve ser utilizado por pessoas (incluindo crianças) que apresentem capacidades físicas, sensoriais ou mentais reduzidas ou que não possuam os conhecimentos e a experiência necessários, excepto se forem vigiadas e instruídas acerca da utilização do aparelho por uma pessoa responsável pela sua segurança.**
- ◆ **As crianças deverão ser vigiadas para que não mexam no aparelho.**

Avisos de segurança adicionais específicos para operações de corte abrasivo

- ◆ **Não "encrave" a roda de corte nem aplique pressão excessiva. Não tente fazer um corte com profundidade excessiva.** Uma pressão excessiva sobre a roda aumenta a carga e a susceptibilidade de torcer ou bloquear a roda durante o corte, bem como a possibilidade de contra-golpe ou de a roda se partir.
- ◆ **Não posicione o corpo alinhado e atrás da roda rotativa.** Quando a roda, no ponto de funcionamento, se estiver a afastar do seu corpo, um possível contra-golpe poderá impulsionar a roda e a ferramenta eléctrica directamente para si.
- ◆ **Quando a roda estiver a ficar bloqueada ou quando interromper um corte por qualquer motivo, desligue a ferramenta eléctrica e mantenha-a imóvel até que a roda pare completamente. Nunca tente remover a roda do corte enquanto a roda estiver em movimento, caso contrário poderá ocorrer um contra-golpe.** Averigüe e tome as medidas necessárias para eliminar a causa do bloqueio da roda.
- ◆ **Não reinicie a operação de corte na peça. Deixe que a roda atinja a velocidade máxima e volte a introduzir no corte com cuidado.** A roda poderá ficar bloqueada, subir ou provocar um contra-golpe se a ferramenta eléctrica for reiniciada na peça.

Riscos residuais.

Podem surgir riscos residuais adicionais durante a utilização da ferramenta que poderão não constar nos avisos de segurança incluídos. Estes riscos podem resultar de má utilização, uso prolongado, etc.

Mesmo com a aplicação dos regulamentos de segurança relevantes e com a implementação de dispositivos de segurança, alguns riscos residuais não podem ser evitados. Incluem:

- ◆ ferimentos causados pelo contacto com peças em rotação/movimento.
- ◆ ferimentos causados durante a troca de peças, lâminas ou acessórios.
- ◆ ferimentos causados pela utilização prolongada de uma ferramenta. Quando utilizar uma ferramenta por períodos prolongados, faça intervalos regulares.
- ◆ diminuição da audição.
- ◆ Os problemas de saúde causados pela inalação de poeiras resultantes da utilização da ferramenta (exemplo: trabalhos em madeira, especialmente carvalho, faia e MDF).

Vibração

Os valores de emissão de vibração declarados na secção de dados técnicos e na declaração de conformidade foram medidos de acordo com o método de teste padrão fornecido pela norma EN 60745 e podem ser utilizados para comparar ferramentas. O valor de emissão de vibração declarado pode ainda ser utilizado numa avaliação preliminar de exposição.

Atenção! O valor de emissão de vibração durante a utilização real da ferramenta eléctrica pode ser diferente do valor declarado, dependendo da forma como a ferramenta é utilizada. O nível de vibração pode aumentar acima do nível indicado.

Quando avaliar a exposição da vibração para determinar as medidas de segurança exigidas pela norma 2002/44/CE para proteger pessoas que utilizem regularmente ferramentas eléctricas na sua actividade profissional, deve ser considerada uma estimativa de exposição de vibração, as actuais condições de utilização e o modo de utilização da ferramenta, incluindo ainda todas as partes do ciclo de funcionamento, como os períodos de inactividade e espera da ferramenta, para além do tempo de funcionamento.

Rótulos na ferramenta

A ferramenta apresenta os seguintes pictogramas:



Atenção! Para reduzir o risco de ferimentos, o utilizador deve ler o manual de instruções.



Utilize óculos ou viseiras de protecção quando utilizar esta ferramenta.



Utilize protectores dos ouvidos quando utilizar esta ferramenta.

Segurança eléctrica



Esta ferramenta tem um isolamento duplo e, por isso, não é necessário um fio de terra. Verifique sempre se a fonte de alimentação corresponde à tensão indicada na placa de especificações.

- ◆ Se o cabo de alimentação estiver danificado, terá de ser substituído pelo fabricante ou por um centro de assistência autorizado Stanley Fat Max para evitar acidentes.

Componentes

Esta ferramenta inclui alguns ou todos os seguintes componentes.

1. Interruptor para ligar/desligar
2. Punho lateral
3. Bloqueio do eixo
4. Protecção para esmerilação

Montagem

Atenção! Antes da montagem, certifique-se de que a ferramenta está desligada e que não está ligada à corrente eléctrica.

Colocar e remover a protecção (fig. A)

A ferramenta é fornecida com uma protecção para trabalhos de esmerilação e corte. Certifique-se de que utiliza a protecção correcta, adequada para a operação a efectuar. Se a unidade se destinar a efectuar operações de corte, terá de ser montada uma protecção específica para essas operações (17, Fig F).

Montagem

- ◆ Coloque a ferramenta numa mesa, com o eixo(5) virado para cima.
- ◆ Abra o bloqueio de fixação (7) e segure a protecção (4) sobre a ferramenta conforme ilustrado.
- ◆ Alinhe os apoios (8) com os entalhes (9).
- ◆ Pressione a protecção para baixo e rode-a no sentido inverso ao dos ponteiros do relógio para a posição pretendida.
- ◆ Aperte o bloqueio de fixação (7) para garantir a protecção da ferramenta.
- ◆ Se necessário, aperte o parafuso (6) para aumentar a força de fixação.

Remover

- ◆ Solte o bloqueio de fixação (7).
- ◆ Rode a protecção no sentido dos ponteiros do relógio para alinhar os apoios (8) com os entalhes (9).

- ◆ Remova a protecção da ferramenta.

Atenção! Nunca utilize a ferramenta sem a protecção.

Encaixar o punho lateral

- ◆ Aparafuse a pega lateral (2) num dos orifícios de montagem da ferramenta.

Atenção! Utilize sempre o punho lateral.

Colocar e remover discos de esmerilação ou corte (fig. B - D)

Utilize sempre o tipo de disco correcto para a sua aplicação. Utilize sempre discos com o diâmetro e o orifício correctos (ver os dados técnicos).

Colocar

- ◆ Coloque a protecção como indicado acima.
- ◆ Coloque a flange interior (10) no eixo (5) como indicado (fig. B). Certifique-se de que a flange está correctamente posicionada nos lados lisos do eixo.
- ◆ Coloque o disco (11) no eixo (5) como indicado (fig. B). Se o disco tiver um canto elevado (12), certifique-se de que esse centro elevado está virado para a flange interior.
- ◆ Certifique-se de que o disco está correctamente localizado na flange interior.
- ◆ Coloque a flange exterior (13) no eixo. Quando se monta um disco de esmerilação, o centro elevado da flange exterior deverá estar virado para o disco (A na fig. C). Quando se monta um disco de corte, o centro elevado da flange exterior deverá estar de costas para o disco (B na fig. C).
- ◆ Mantenha o bloqueio do eixo (3) premido e aperte a flange exterior utilizando a chave-inglesa de dois pinos (14) (fig. D).

Remover

- ◆ Mantenha o bloqueio do eixo (3) premido e solte a flange exterior (13) utilizando a chave-inglesa de dois pinos (14) (fig. D).
- ◆ Remova a flange exterior (13) e o disco (11).

Colocar e remover discos para lixar (fig. D e E)

Para lixar, é necessário uma protecção. Pode encontrar a protecção com acessório no seu revendedor Stanley Fat Max.

Montar

- ◆ Coloque a flange interior (10) no eixo (5) como indicado (fig. E). Certifique-se de que a flange está correctamente posicionada nos lados lisos do eixo.
- ◆ Coloque a protecção (15) no eixo.
- ◆ Coloque o disco para lixar (16) na protecção.
- ◆ Coloque a flange exterior (13) no eixo com o centro elevado de costas para o disco.

- ◆ Mantenha o bloqueio do eixo (3) premido e aperte a flange exterior utilizando a chave-inglesa de dois pinos (14) (fig. D). Certifique-se de que a flange exterior está correctamente colocada e que o disco está firmemente fixado.

Remover

- ◆ Mantenha o bloqueio do eixo (3) premido e solte a flange exterior (13) utilizando a chave-inglesa de dois pinos (14) (fig. D).
- ◆ Remova a flange exterior (13), o disco para lixar (16) e a protecção (15).

Utilização

Atenção! Deixe a ferramenta funcionar ao seu próprio ritmo.

Não a sobrecarregue.

- ◆ Oriente o cabo com cuidado para evitar cortes acidentais.
- ◆ Esteja preparado para uma torrente de faíscas quando o disco de esmerilação ou corte tocar na peça.
- ◆ Posicione sempre a ferramenta de forma a que a protecção contra o disco de esmerilação ou corte seja a ideal.

Ligar e desligar

- ◆ Para ligar, deslize o interruptor para ligar/desligar (1) para a frente e pressione. Tenha em atenção que a ferramenta continuará a funcionar quando libertar o interruptor.
- ◆ Para desligar, pressione a parte de trás do interruptor para ligar/desligar.

Atenção! Não desligue a ferramenta sob carga.

Sugestões para uma utilização ideal

- ◆ Segure com firmeza a ferramenta com uma mão no punho lateral e a outra no punho principal.
- ◆ Ao esmerilar, mantenha sempre um ângulo aproximado de 15° entre o disco e a superfície da peça.

Manutenção

O seu aparelho/ferramenta Stanley Fat Max com/sem fios foi concebido para funcionar durante um longo período de tempo com uma manutenção mínima. Um funcionamento contínuo e satisfatório depende de uma manutenção adequada e da limpeza regular da ferramenta.

Atenção! Antes de proceder a qualquer acção de manutenção em ferramentas eléctricas com cabo/sem fios:

- ◆ Desligue o aparelho/ferramenta e retire a respectiva ficha da tomada.
- ◆ Ou desligue e remova a bateria do aparelho/ferramenta caso o aparelho/ferramenta tenha uma bateria individual.
- ◆ Ou deixe a bateria descarregar completamente se estiver incorporada e, em seguida, desligue-a.

- ◆ Desligue o carregador antes de o limpar. O seu carregador não necessita de manutenção para além da limpeza regular.
- ◆ Limpe regularmente as aberturas de ventilação do aparelho/ferramenta/carregador com uma escova suave ou um pano seco.
- ◆ Limpe regularmente o compartimento do motor com um pano húmido. Não utilize nenhum produto de limpeza abrasivo ou a base de solvente.
- ◆ Abra o mandril regularmente e bata no mesmo para remover qualquer vestígio de pó do seu interior (quando colocado).

Substituição da ficha de alimentação (apenas Reino Unido e Irlanda)

Se for necessário encaixar uma nova ficha de alimentação:

- ◆ Elimine com segurança a ficha antiga.
- ◆ Ligue o cabo castanho ao terminal electricificado na nova ficha.
- ◆ Ligue o cabo azul ao terminal neutro.

Atenção! Não é necessário efectuar qualquer ligação ao terminal de terra. Siga as instruções de montagem fornecidas com fichas de boa qualidade. Fusível recomendado: 13 A.

Protecção do ambiente



Recolha separada. Este produto não pode ser eliminado juntamente com os resíduos domésticos normais.

Se, em algum momento, for necessário substituir este produto Stanley Fat Max ou se este deixar de ter utilidade, não elimine o produto num caixote do lixo. Este produto pode ser separado para reciclagem.



A recolha separada de produtos e embalagens usados permite que os materiais sejam reciclados e reutilizados.

A reutilização de materiais reciclados ajuda a evitar a poluição ambiental e reduz a procura de matérias-primas.

A legislação local poderá prever a recolha separada de produtos domésticos eléctricos, seja em lixeiras municipais ou através do revendedor quando adquire um produto novo.

A Stanley Europe dispõe de instalações para recolha e reciclagem de produtos Stanley Fat Max quando estes atingem o fim da vida útil. Para usufruir deste serviço, devolva o produto em qualquer agente de reparação autorizado, que o recolherá em seu nome.

Pode verificar a localização do agente de reparação autorizado mais perto de si, contactando os escritórios locais da Stanley Europe através do endereço indicado neste manual. Se preferir, pode encontrar na Internet uma lista de agentes de manutenção autorizados Stanley Europe, detalhes completos e contactos do serviço pós-venda, no endereço: www.2helpU.com

Dados técnicos

		FME811 (Tipo 1)	FME812 (Tipo 1)
Tensão de entrada	V_{ac}	230	230
Potência utilizada	W	850	850
Velocidade sem carga	mín.^{-1}	12,000	12,000
Diâmetro do disco	mm	115	125
Orifício do disco	mm	22	22
Espessura máxima do disco			
discos de esmerilação	mm	6	6
discos de corte	mm	3.5	3.5
Tamanho do eixo		M14	M14
Peso	kg	2.1	2.1

L_{pA} (pressão acústica) 94.5 dB(A), Imprecisão (K) 3 dB(A)
L_{WA} (potência acústica) 105.5 dB(A), Imprecisão (K) 3 dB(A)
Valores totais de vibração (soma de vectores triax) de acordo com a norma EN 60745:
Esmerilação da superfície ($a_{h,SG}$) 9.9 m/s^2 , imprecisão (K) 1.5 m/s^2
Corte (a_h) 9.1 m/s^2 , imprecisão (K) 1.5 m/s^2
Polimento ($a_{h,p}$) 5.0 m/s^2 , imprecisão (K) 1.5 m/s^2
Lixamento com disco ($a_{h,DS}$) 3.3 m/s^2 , imprecisão (K) 1.5 m/s^2
Escovagem metálica (a_r) 9.2 m/s^2 , imprecisão (K) 1.5 m/s^2

Declaração de conformidade CE

DIRECTIVA PARA MÁQUINAS



FME811 / FME812

A Stanley Europe declara que os produtos descritos em "dados técnicos" estão em conformidade com as seguintes normas:

2006/42/CE, EN 60745-1, EN 60745-2-3

Estes produtos estão também em conformidade com as Directivas 2004/108/CE e 2011/65/UE. Para obter mais informações, contacte a Stanley Europe no endereço indicado ou consulte a parte posterior do manual.

O signatário é responsável pela compilação do ficheiro técnico e efectua esta declaração em nome da Stanley Europe.

Kevin Hewitt
Vice-Presidente, Engenharia Global
Stanley Europe, Egide Walschaertsstraat 14-18,
2800 Mechelen, Bélgica
19/04/2013

Garantia

A Stanley Europe confia na qualidade dos seus produtos e oferece uma garantia excelente a utilizadores profissionais do produto. Esta declaração de garantia é um complemento dos seus direitos contratuais como utilizador privado não profissional, não os prejudicando de forma alguma. A garantia é válida nos territórios dos Estados Membros da União Europeia e da Associação Europeia de Comércio Livre.

GARANTIA TOTAL DE UM ANO

Se o seu produto Stanley Fat Max avariar devido a defeitos de material ou fabrico, num período de 12 meses após a data da compra, a Stanley Europe garante a substituição das peças defeituosas sem qualquer encargo ou – se assim o entendermos – a substituição da unidade sem encargos, desde que:

- ◆ O produto não tenha sido alvo de utilização indevida e tenha sido utilizado em conformidade com o manual de instruções.
- ◆ O produto tenha sido sujeito a um desgaste aceitável;
- ◆ Não tenham sido tentadas reparações por pessoas não autorizadas;
- ◆ Seja apresentada prova de compra.
- ◆ O produto Stanley Fat Max seja devolvido com todos os componentes originais

Se pretender fazer uma reclamação, contacte o seu vendedor ou verifique a localização do agente de manutenção autorizado Stanley Fat Max mais perto de si no catálogo Stanley Fat Max ou contacte os escritórios locais da Stanley no endereço indicado neste manual. Pode encontrar na Internet uma lista de agentes de manutenção autorizados Stanley Fat Max e detalhes completos do serviço pós-venda, no endereço: www.stanley.eu/3

Användningsområde

Denna Stanley Fat Max vinkelslip är avsedd för att slipa och skära metall och murverk med lämplig typ av skär- eller slipskiva. Då den utrustas med de lämpliga skydden är detta verktyg avsett för professionella och privata, icke professionella användare.

Säkerhetsföreskrifter

Allmänna säkerhetsanvisningar för elverktyg



Varning! Läs alla säkerhetsföreskrifter och alla anvisningar. Fel som uppstår till följd av att säkerhetsföreskrifterna och anvisningarna nedan inte följts kan orsaka elstötar, brand och/eller allvarliga kroppsskador.

Spara alla säkerhetsföreskrifter och anvisningar för framtida bruk. Begreppet "elverktyg" nedan syftar på nätdrivna elverktyg (med nätsladd) och batteridrivna elverktyg (sladdlösa).

1. **Säkerhet i arbetsområdet**
 - a. **Håll arbetsplatsen ren och väl upplyst.** Oreda eller dålig belysning på arbetsplatsen kan leda till olyckor.
 - b. **För att undvika explosionsrisk bör du inte använda elverktyget i omgivningar med brännbara vätskor, gaser eller damm.** Elverktyg alstrar gnistor som kan antända dammet eller gaserna.
 - c. **Håll barn och andra personer på betryggande avstånd när du använder elverktyg.** Om du blir distraherad kan du förlora kontrollen.
2. **Elsäkerhet**
 - a. **Elverktygets stickkontakt måste passa i eluttaget. Stickkontakten får absolut inte ändras. Använd inte adapterkontakter tillsammans med jordade elverktyg.** Med oförändrade stickkontakter och passande vägguttag minskas risken för elstötar.
 - b. **Undvik kroppskontakt med jordade ytor som t.ex. rör, värmeelement, spisar och kylskåp.** Risken för elektriska stötar ökar om din kropp är jordad.
 - c. **Skydda elverktyget mot regn och väta.** Om vatten tränger in i ett elverktyg ökar risken för elektriska stötar.
 - d. **Hantera inte nätsladden ovarsamt. Använd inte sladden för att bära eller dra elverktyget och inte heller för att dra ut kontakten ur vägguttaget. Håll nätsladden borta från värme, olja, skarpa kanter och rörliga maskindelar.** Risken att du får en elstöt är större om sladdarna är skadade eller tillrasslade.
3. **Personlig säkerhet**
 - a. **Var uppmärksam, se på vad du gör och använd elverktyget med förnuft. Använd inte elverktyget när du är trött eller om du är påverkad av droger, alkohol eller mediciner.** Vid användning av elverktyg kan även en kort tids uppmärksamhet leda till allvarliga kroppsskador.
 - b. **Använd skyddsutrustning. Bär alltid skyddsglasögon.** Den personliga skyddsutrustningen, t.ex. dammfiltermask, halkfria säkerhetsskor, hjälm och hörselskydd, minskar risken för kroppsskada när den används vid rätt tillfällen.
 - c. **Undvik oavsiktlig igångsättning. Kontrollera att strömbrytaren står i avstängt läge innan du ansluter verktyget till elnätet eller sätter i batteriet, samt innan du tar upp eller bär verktyget.** Det kan vara mycket farligt att bära ett elverktyg med fingret på strömbrytaren eller koppla det till nätet respektive sätta i batteriet med strömbrytaren i till-läge.
 - d. **Ta bort alla inställningsverktyg och skruvnycklar innan du startar elverktyget.** Ett verktyg eller en nyckel i en roterande komponent kan orsaka kroppsskada.
 - e. **Sträck dig inte för långt. Se till att du alltid har säkert fotfäste och balans.** Därmed har du bättre kontroll över elverktyget i oväntade situationer.
 - f. **Bär lämpliga kläder. Bär inte löst hängande kläder eller smycken. Håll undan hår, kläder och handskar från rörliga delar.** Löst hängande kläder, smycken och långt hår kan fastna i roterande delar.
 - g. **Om elverktyget har utrustning för dammsugning och -uppsamling ska du kontrollera att utrustningen är rätt monterad och används på korrekt sätt.** Utrustningen kan minska riskerna när damm bildas.
4. **Bruk och skötsel av elverktyg**
 - a. **Överbelasta inte elverktyget. Använd rätt elverktyg för det aktuella arbetet.** Med rätt elverktyg kan du arbeta bättre och säkrare med det som verktyget är avsett för.
 - b. **Använd inte elverktyget om det inte går att starta och stänga av det med strömbrytaren.** Ett elverktyg som inte kan startas och stängas av med strömbrytaren är farligt och måste repareras.
 - c. **Dra ut stickproppen ur vägguttaget och/eller ta ut batteriet ur elverktyget innan inställningar utförs, tillbehör byts eller elverktyget ställs undan.** Denna säkerhetsåtgärd förhindrar oavsiktlig start av elverktyget.
- e. **Använd endast förlängningssladdar som är godkända för utomhusbruk när du arbetar med elverktyg utomhus.** Om du använder en förlängningssladd som är avsedd för utomhusbruk minskar risken för att du ska få en elstöt.
- f. **Om du måste använda ett elverktyg på en fuktig plats ska du använda jordfelsbrytare.** Jordfelsbrytaren minskar risken för stötar.

- d. Förvara elverktyg utom räckhåll för barn. Låt inte elverktyg användas av personer som inte är vana vid det, eller som inte läst denna bruksanvisning. Elverktyg är farliga om de används av ovana personer.
- e. Sköt elverktyget omsorgsfullt. Kontrollera att rörliga komponenter fungerar felfritt och inte kärvar, att komponenter inte gått sönder eller skadats och inget annat föreligger som kan påverka elverktygets funktion. Om elverktyget är skadat ska du se till att få det reparerat innan det används. Många olyckor orsakas av dåligt skötta elverktyg.
- f. Håll skärverktyg vassa och rena. Omsorgsfullt skötta skärverktyg med skarp egg fastnar inte så lätt och går lättare att styra.
- g. Använd elverktyget, tillbehör, insatsverktyg osv. enligt dessa anvisningar och på sätt som föreskrivits för aktuell verktygsmodell. Ta hänsyn till arbetsvillkoren och arbetsmomenten. Om elverktyget används på icke ändamålsenligt sätt kan farliga situationer uppstå.

5. Service

- a. Elverktyget ska bara repareras av utbildade reparatörer och med originalreservdelar. Detta säkerställer att elverktyget förblir säkert.

Ytterligare säkerhetsanvisningar för elverktyg



Varning! Ytterligare säkerhetsanvisningar för slipning, sandning, stålborstning, polering och kapning

- ◆ **Det här elverktyget är avsett att användas för slipning, sandning, stålborstning, polering och kapning. Läs alla säkerhetsanvisningar, instruktioner, illustrationer och specifikationer som medföljer det här elverktyget.** Fel som uppstår till följd av att anvisningarna nedan inte följs kan orsaka elchock, brand och/eller allvarliga kroppsskador.
- ◆ **Användning som elverktyget inte är avsett för kan framkalla fara och orsaka personskador.**
- ◆ **Använd inte tillbehör som inte är specifikt konstruerade för och rekommenderade av verktygstillverkaren.** Bara för att ett tillbehör passar på elverktyget innebär det inte att det är säkert att använda.
- ◆ **Tillbehörets märkhastighet måste vara minst lika med den maximala hastighet som finns angiven på elverktyget.** Tillbehör som körs med högre hastighet än märkhastigheten kan gå sönder och flyga iväg.
- ◆ **Tillbehörets ytterdiameter och tjocklek måste ligga inom elverktygets kapacitetsmärkning.** Tillbehör med fel storlek kan inte skyddas och kontrolleras tillräckligt väl.
- ◆ **Infästningshålen på klingor, flänsar, bakstycken och andra tillbehör måste passa elverktygets spindel.** Tillbehör med infästningshål som inte passar elverktygets monteringsdelar kommer att snurra obalanserat, vibrera kraftigt och kanske leda till att du förlorar kontrollen över verktyget.
- ◆ **Använd inte ett skadat tillbehör.** Innan varje användning ska du kontrollera om tillbehör som slipskivor är kantstötta eller har spruckit. Kontrollera om bakstycken har sprickor, revor eller onormal förslitning och om stålborstar har lösa eller trasiga stålborst. Om ett elverktyg eller tillbehör tappas ska du kontrollera om det har skadats eller monterat ett oskadat tillbehör. När du har kontrollerat och monterat ett tillbehör ska du köra elverktyget med maximal hastighet utan belastning i en minut. Skadade tillbehör går normalt sönder under ett sådant test.
- ◆ **Använd personlig skyddsutrustning.** Beroende på vad du gör ska du använda ansiktsskydd eller skyddsglasögon. När det är lämpligt, använd dammskydd, hörselskydd, handskar och skyddsförkläde som kan stoppa små bitar av slipskivan eller arbetsstycket. Ögonskyddet måste kunna stoppa flygande fragment från olika arbetsmoment. Damm- eller andningsskyddet måste kunna filtrera partiklar från det du arbetar med. Om du utsätts för kraftigt oljud under längre tid kan din hörsel bli nedsatt.
- ◆ **Håll andra personer på säkert avstånd från arbetsområdet.** Alla som inträder i arbetsområdet måste använda personlig skyddsutrustning. Fragment från ett arbetsstycke eller ett trasigt tillbehör kan flyga iväg och orsaka skador en bra bit från själva arbetsplatsen.
- ◆ **Håll verktyget i de isolerade greppytorna vid arbete där sågtillebehöret riskerar att komma i kontakt med dolda elledningar eller med sin egen nätsladd.** Om kapningstillbehöret går igenom en strömförande ledning kommer verktygets metalldelar att bli strömförande och ge dig en elektrisk stöt.
- ◆ **Placera sladden så att den inte kommer i kontakt med det roterande tillbehöret.** Om du förlorar kontrollen kan sladden skäras av eller ryckas med och din hand eller arm kan dras in i det roterande tillbehöret.
- ◆ **Lägg aldrig ned elverktyget förrän tillbehöret har slutat rotera helt.** Det roterande tillbehöret kan hugga tag i underlaget och dra elverktyget ur dina händer.
- ◆ **Kör inte elverktyget medan du bär det vid din sida.** Det roterande tillbehöret kan oavsiktligt komma i kontakt med dina kläder och tillbehöret kan då dras mot din kropp.
- ◆ **Rengör ventilationsöppningarna på elverktyget regelbundet.** Motorns fläkt drar in damm i höljet och för stor ansamling av metallpulver kan orsaka elfaror.
- ◆ **Använd inte elverktyget i närheten av brandfarliga material.** Gnistor kan antända sådana material.

- ◆ **Använd inte tillbehör som kräver vätskekyllning.** Kyllning med vatten eller annan vätska kan resultera i elstötar, eventuellt med dödlig utgång.

Obs! Ovanstående varning gäller inte för elverktyg som är speciellt framtagna för att användas med vätskekyllningssystem.

Kast och tillhörande varningar

Kast är en plötslig reaktion på att en roterande skiva, ett bakstycke, en stålborste eller något annat tillbehör nyper eller fastnar. Det roterande tillbehöret bromsas då hastigt vilket i sin tur gör att det okontrollerade elverktyget tvingas i motsatt riktning mot tillbehörets rotation vid den punkt där stoppet uppstår.

Om till exempel en slipskiva fastnar i arbetsstycket kan den kant på skivan som befinner sig vid den punkten gräva sig in i ytan på materialet och skivan kan kastas ut. Skivan kan antingen kastas mot användaren eller bort från denne, beroende på skivans rörelseriktning och den punkt där den fastnar. Slipskivor kan också gå sönder när detta inträffar.

Kast uppstår till följd av felaktig användning och/eller hantering av elverktyget. De kan undvikas med de skyddsåtgärder som beskrivs nedan.

- ◆ **Håll ett fast grepp om elverktyget och placera kroppen och armarna på ett sätt som gör att du kan stå emot krafter från eventuella kast.** Använd alltid ett extra-handtag, om sådant finns, för maximal kontroll över kast och momentrörelser vid start. Användaren kan bemästra momentrörelser eller krafter i ett kast om vissa försiktighetsåtgärder vidtagits.
- ◆ **Placera aldrig din hand nära ett roterande tillbehör.** Tillbehöret kan kastas över din hand.
- ◆ **Placera inte din kropp i ett område dit elverktyget kommer att förflyttas om ett kast inträffar.** Ett kast kommer att driva verktyget i en riktning som är motsatt den som skivan har vid den punkt där den fastnar.
- ◆ **Var särskilt försiktig när du arbetar med hörn, skarpa kanter, osv. Undvik att låta tillbehöret studsas eller hakas fast.** Hörn, skarpa kanter eller studsande har en tendens att få det roterande tillbehöret att fastna, vilket resulterar i kast eller att du förlorar kontrollen.
- ◆ **Montera inte ett träsnidningsblad eller ett tandat sågblad.** Sådana blad orsakar ofta kast och förlorad kontroll.

Säkerhetsanvisningar som är specifika för slipning och kapning

- ◆ **Använd bara skivor av den typ som rekommenderas för ditt elverktyg och det speciella skydd som är konstruerat för den aktuella skivan.** Skivor som elverktyget inte är avsett för kan inte skyddas tillräckligt och är därför farliga.

- ◆ **Skyddet måste fästas ordentligt på elverktyget och placeras för maximal säkerhet så att så lite som möjligt av skivan är exponerad mot användaren.** Skyddet bidrar till att skydda användaren från fragment om skivan går sönder samt från oavsiktlig kontakt med skivan.
- ◆ **Skivor får bara användas i tillämpningar de rekommenderas för.** Exempel: **slipa inte med sidan på en kapskiva.** Kapskivor är avsedda för slipning med periferin. Om sådana skivor utsätts för sidokrafter kan de splittras.
- ◆ **Använd alltid oskadade skivflansar med rätt storlek och form för den skiva du tänker använda.** Rätt skivflansar ger stöd åt skivan och minskar därför risken för att skivan går sönder. Flansar för kapskivor kan skilja sig från flansar för slipskivor.
- ◆ **Använd inte nedslitna skivor från större elverktyg.** Skivor avsedda för större elverktyg är inte lämpade för den högre hastigheten hos ett mindre verktyg och kan därför gå sönder.

Ytterligare säkerhetsanvisningar som är specifika för kapning

- ◆ **Låt inte kapskivan fastna och tryck inte för hårt. Försök inte skära för djupt.** Om du överbelastar skivan går den tyngre och skivans benägenhet att vridas eller fastna i spåret. Ökar. Risken för kast eller att skivan går sönder ökar också.
- ◆ **Stå inte i linje med och bakom den roterande skivan.** När skivans angreppspunkt är på väg bort från din kropp kan ett kast driva den roterande skivan och elverktyget direkt mot dig.
- ◆ **Om skivan fastnar, eller om kapningen av någon anledning avbryts, ska du stänga av elverktyget och hålla det stilla tills skivan helt slutat att snurra.** Försök aldrig ta bort skivan ur skärspåret medan skivan snurrar eftersom detta kan leda till kast. Ta reda på varför skivan fastnade och åtgärda orsaken.
- ◆ **Återuppta inte kapningen av arbetsstycket med skivan i skärspåret.** Låt skivan komma upp i full hastighet och för försiktigt ned den i skärspåret. Skivan kan fastna, klättra uppåt eller kastas upp om elverktyget återstartas med skivan i skärspåret.
- ◆ **Stöd stora arbetsstycken för att minimera risken för att skivan kläms fast eller kastas upp.** Stora arbetsstycken böjs ofta av sin egen vikt. Placera stöd under arbetsstycket nära skärspåret och nära kanten på arbetsstycket på båda sidor av kapskivan.
- ◆ **Var extra försiktig vid "instickskapning" i befintliga väggar eller andra dolda områden.** Kapskivan kan skära in i gas- eller vattenrör, elledningar eller föremål som kan orsaka kast.

Säkerhetsanvisningar som är specifika för sandning

- ◆ Använd inte sandpapper som är mycket för stort. Följ tillverkarens rekommendationer när du väljer sandpapper. Stort sandpapper som går utanför skivan innebär risk för sönderslitning och det kan fastna, skada skivan eller orsaka kast.

Säkerhetsanvisningar som är specifika för polering

- ◆ Låt ingen lös del av poleringshättan eller dess fästsnoddar snurra fritt. Stoppa undan eller klipp av lösa fästsnoddar. Lösa eller snurrande fästsnoddar kan fastna i dina fingrar eller i arbetsstycket.

Säkerhetsanvisningar som är specifika för stålborstning

- ◆ Tänk på att stålborst kan lossna från borsten även under normal användning. Överbelasta inte ståltrådarna genom att trycka hårt på borsten. Ståltrådarna kan lätt tränga igenom tunna kläder och/eller skinnet.
- ◆ Om ett skydd rekommenderas för stålborstning får ingen del av trådskivan eller borsten komma i kontakt med skyddet. Trådskivan eller borsten kan expandera i diameter på grund av arbetsbelastningen och centrifugalkrafterna.

Andras säkerhet

- ◆ Verktöget ska inte användas av personer (inklusive barn) med nedsatt fysisk eller psykisk förmåga eller bristande erfarenhet och kunskap, om de inte får vägledning och övervakas av en person som ansvarar för deras säkerhet.
- ◆ Barn ska hållas under uppsikt så att de inte leker med verktöget.

Övriga risker.

Ytterligare risker som inte finns med i de bifogade säkerhetsföreskrifterna kan uppstå när verktöget används. Dessa risker kan uppstå vid felaktig användning, långvarig användning, o.s.v.

Även om alla relevanta säkerhetsföreskrifter följs och säkerhetsanordningar används kan vissa ytterligare risker inte undvikas. Dessa innefattar:

- ◆ Skador orsakade av att roterande/rörliga delar vidrörs.
- ◆ Skador som uppstår vid byte av delar, blad eller tillbehör.
- ◆ Skador som orsakas av långvarig användning av ett verktyg. Se till att ta regelbundna raster när du använder ett verktyg under en längre period.
- ◆ Skador på hörseln.
- ◆ Hälsorisker orsakade av inandning av damm när verktöget används (exempel: arbete med trä, särskilt ek, bok och MDF).

Vibrationer

De uppgivna vibrationsvärdena i avsnitten Tekniska data och EU-förklaring om överensstämmelse har uppmätts i enlighet med en standardtestmetod föreskriven i EN 60745 och kan användas för jämförelse med andra verktyg. Det angivna vibrationsvärdet kan även användas för en preliminär bedömning av exponeringen.

Varning! Vibrationsvärdet under faktisk användning av elverktöget kan skilja sig från det uppgivna värdet beroende på hur verktöget används. Vibrationsnivån kan överstiga den uppgivna nivån.

Vid uppskattning av vibrationsexponering i syfte att bedöma vilka säkerhetsåtgärder som är nödvändiga enligt 2002/44/EG för att skydda personer som regelbundet använder elverktyg i arbetet ska man utgå från de faktiska omständigheter under vilka elverktöget används och sättet på vilket det används. Bedömningen ska även ta hänsyn till alla moment i arbetscykeln, t.ex. när verktöget är avstängt och när det går på tomgång såväl som när det faktiskt används.

Etiketter på verktöget

Följande symboler finns på redskapet:



Varning! Läs bruksanvisningen före användning för att minska risken för olyckor.



Bär alltid skyddsglasögon när du använder verktöget.



Bär alltid hörselskydd när du använder verktöget.

Elektrisk säkerhet



Eftersom verktöget är dubbelsolerat behövs ingen jordledare. Kontrollera alltid att nätspänningen överensstämmer med värdet på typskylten.

- ◆ Om nätsladden är skadad måste den bytas ut av tillverkaren eller en auktoriserad Stanley Fat Max-verkstad för att farliga situationer ska undvikas.

Funktioner

Detta verktyg har några eller samtliga av följande funktioner.

1. Strömbrytare
2. Sidohandtag
3. Spindellås
4. Slipskydd

Montering

Varning! Se till att verktyget är avstängt och att det inte är anslutet innan monteringen börjar.

Montera och ta bort skyddet (fig. A)

Verktyget är utrustat med ett skydd som är avsett för slipning och kapning. Se till att du använder rätt skydd för den aktuella uppgiften. Om verktyget ska användas för kapning måste ett skydd som är speciellt avsett för detta monteras (17, Fig F).

Montering

- ◆ Placera verktyget på ett bord med spindeln(5) riktad uppåt.
- ◆ Lossa spärren (7) och håll skyddet (4) över verktyget som figuren visar.
- ◆ Rikta in klackarna (8) mot spåren (9).
- ◆ Tryck ned skyddet och rotera det moturs till önskat läge.
- ◆ Fäll in spärren (7) för att fästa skyddet vid verktyget.
- ◆ Om det behövs drar du åt skruven (6) för att det ska sitta hårdare.

Borttagning

- ◆ Lossa spärren (7).
- ◆ Roter skyddet medurs för att rikta in klackarna (8) mot spåren (9).
- ◆ Ta bort skyddet från verktyget.

Varning! Använd aldrig verktyget utan skyddet.

Montering av sidohandtaget

- ◆ Skruva in sidohandtaget (2) i ett av monteringshålerna på verktyget.

Varning! Använd alltid sidohandtaget.

Montera och ta bort slip- och kapskivor (fig. B - D)

Använd alltid rätt typ av skiva för det aktuella arbetet. Använd alltid skivor med rätt diameter och hålstorlek (se tekniska data).

Montering

- ◆ Montera skyddet enligt beskrivningen ovan.
- ◆ Placera den inre flänsen (10) på spindeln (5) som figuren visar (fig. B). Se till att flänsen sitter rätt på spindelns platta sidor.
- ◆ Placera skivan (11) på spindeln (5) som figuren visar (fig. B). Om skivan har en upphöjd mittdel (12) ser du till att upphöjningen sitter mot den inre flänsen.
- ◆ Se till att skivan sitter rätt på den inre flänsen.
- ◆ Placera den yttre flänsen (13) på spindeln. När du monterar en slipskiva måste den upphöjda mittdelen på den yttre flänsen vara riktad mot skivan (A i fig. C). När du monterar en kapskiva måste den upphöjda mittdelen på den yttre flänsen vara riktad bort från skivan (B i fig. C).

- ◆ Håll spindellåset (3) intryckt och dra åt den yttre flänsen med en specialnyckel med två stift (14) (fig. D).

Borttagning

- ◆ Håll spindellåset (3) intryckt och lossa den yttre flänsen (13) med en specialnyckel med två stift (14) (fig. D).
- ◆ Ta bort den yttre flänsen (13) och skivan (11).

Montera och ta bort sandpapperskivor (fig. D och E)

För sandning krävs ett bakstycke. Bakstycken kan köpas som tillbehör från en Stanley Fat Max-återförsäljare.

Montering

- ◆ Placera den inre flänsen (10) på spindeln (5) som figuren visar (fig. E). Se till att flänsen sitter rätt på spindelns platta sidor.
- ◆ Placera bakstycket (15) på spindeln.
- ◆ Placera sandpapperskivan (16) på bakstycket.
- ◆ Placera den yttre flänsen (13) på spindeln med den upphöjda delen vänd bort från skivan.
- ◆ Håll spindellåset (3) intryckt och dra åt den yttre flänsen med en specialnyckel med två stift (14) (fig. D). Se till att den yttre flänsen sitter rätt och att skivan är åtdragen ordentligt.

Borttagning

- ◆ Håll spindellåset (3) intryckt och lossa den yttre flänsen (13) med en specialnyckel med två stift (14) (fig. D).
- ◆ Ta bort den yttre flänsen (13) och sandpapperskivan (16) och bakstycket (15).

Användning

Varning! Låt verktyget arbeta i sin egen takt. Överbelasta det inte.

- ◆ Håll undan kabeln ordentligt, så att du inte råkar klippa av den.
- ◆ Var beredd på en ström av gnistor när slip- eller kapskivan kommer i kontakt med arbetsstycket.
- ◆ Placera alltid verktyget så att skyddet ger optimalt skydd från slip- eller kapskivan.

Slå på och av

- ◆ Starta verktyget genom att skjuta strömbrytaren (1) framåt och sedan trycka in den. Observera att verktyget kommer att fortsätta att gå när du släpper strömbrytaren.
- ◆ Stäng av verktyget genom att trycka på den bakre delen av strömbrytaren.

Varning! Starta inte och stäng inte av verktyget när det är belastat.

Råd för optimal användning

- ◆ Håll verktyget stadigt med en hand runt sidohandtaget och den andra handen runt huvudhandtaget.
- ◆ När du slipar ska du alltid ha skivan vinklad cirka 15° mot ytan på arbetsstycket.

Underhåll

Det här Stanley Fat Max-verktyget (med eller utan sladd) är konstruerat för att fungera under lång tid med minsta möjliga underhåll. Med rätt underhåll och regelbunden rengöring behåller verktyget sin prestanda.

Varning! Innan något underhåll utförs på elektriska redskap med eller utan sladd:

- ◆ Stäng av redskapet/verktyget och dra ur nätkontakten.
- ◆ Du kan också ta ut batteriet ur redskapet om redskapet har ett separat batteri.
- ◆ Om batteriet är inbyggt låter du det laddas ur helt innan avstängningen.
- ◆ Dra ur sladden till laddaren innan du rengör den. Laddaren behöver inget annat underhåll än regelbunden rengöring.
- ◆ Rengör regelbundet redskapets/verktygets/laddarens luftintag med en mjuk borste eller torr trasa.
- ◆ Rengör kåpan regelbundet med en fuktig trasa. Använd aldrig rengöringsmedel med lösnings- eller slipmedel.
- ◆ Öppna chucken (där sådan finns) med jämna mellanrum och knacka på den för att avlägsna damm som sitter på insidan.

Byte av nätkontakt (endast Storbritannien och Irland)

Byt kontakten på följande sätt:

- ◆ Gör dig av med den gamla kontakten på lämpligt sätt.
- ◆ Anslut den bruna ledningen till den strömförande anslutningen i den nya kontakten.
- ◆ Anslut den blå ledningen till den icke strömförande anslutningen.

Varning! Anslut inte till jordanslutningen. Följ monteringsanvisningarna som medföljer kontakter av god kvalitet. Rekommenderad säkring: 13 A.

Miljö



Separat insamling. Produkten får inte kastas i hushållssoporna.

Tänk på miljön när du slänger denna Stanley Fat Max-produkt. Släng den inte tillsammans med hushållsavfallet. Lämna produkten för separat insamling.



Insamling av uttjänta produkter och förpackningsmaterial gör att material kan återanvändas. Användning av återvunnet material minskar föroreningar av miljön och behovet av råmaterial.

Lokala föreskrifter kan kräva separat insamling av elprodukter från hushållen, vid kommunala samlingsplatser eller hos återförsäljaren när du köper en ny produkt.

Stanley Europe samlar in och återvinner uttjänta Stanley Fat Max-produkter. Om du vill utnyttja denna tjänst återlämnar du produkten till en auktoriserad verkstad, som samlar in den för vår räkning.

För information om närmaste auktoriserade verkstad, kontakta det lokala Stanley Europe-kontoret på den adress som är angiven i bruksanvisningen. En lista över alla auktoriserade Stanley Europe-verkstäder samt servicevillkor finns på Internet: www.2helpU.com

Tekniska data

		FME811 (Typ 1)	FME812 (Typ 1)
Inspänning	V _{ac}	230	230
Ineffekt	W	850	850
Tomgångshastighet	min ⁻¹	12,000	12,000
Skivdiameter	mm	115	125
Skivhåll	mm	22	22
Maximal skivtjocklek			
slipskivor	mm	6	6
kapskivor	mm	3.5	3.5
Spindelstorlek		M14	M14
Vikt	kg	2.1	2.1

L_{pA} (ljudnivå) 94.5 dB(A), osäkerhet (K) 3 dB(A)
L_{WA} (ljudeffekt) 105.5 dB(A), osäkerhet (K) 3 dB(A)
Totala vibrationsvärden (vektorsumman av tre axlar) enligt EN 60745:
Ytslipning ($a_{h,SG}$) 9.9 m/s ² , osäkerhet (K) 1.5 m/s ²
Kapning (a_{h1}) 9.1 m/s ² , osäkerhet (K) 1.5 m/s ²
Polering ($a_{h,P}$) 5.0 m/s ² , osäkerhet (K) 1.5 m/s ²
Sandning ($a_{h,DS}$) 3.3 m/s ² , osäkerhet (K) 1.5 m/s ²
Stålborstning (a_{h1}) 9.2 m/s ² , osäkerhet (K) 1.5 m/s ²

EG-deklaration om överensstämmelse MASKINDIREKTIV



FME811 / FME812

Stanley Europe garanterar att produkterna som beskrivs under "Tekniska data" uppfyller:
2006/42/EG, EN 60745-1, EN 60745-2-3

De här produkterna överensstämmer även med direktiven 2004/108/EG och 2011/65/EU. Mer information får du genom att kontakta Stanley Europe på följande adress eller titta i slutet av bruksanvisningen.

Undertecknad är ansvarig för sammanställningen av tekniska data och gör denna försäkran för Stanley Europe.

Kevin Hewitt
Vice-President Global Engineering
Stanley Europe, Egide Walschaertsstraat14-18,
2800 Mechelen, Belgien
19/04/2013

Garanti

Stanley Europe garanterar att produkten är fri från material- och/eller fabriktionsfel vid leverans till kunder som använder produkten i arbetet. Garantin gäller utöver eventuella avtalsrättigheter för privatkonsumentens rättigheter enligt lag och påverkar inte dessa. Garantin gäller inom medlemsstaterna i Europeiska Unionen och i det Europeiska Frihandelsområdet.

ETT ÅRS FULL GARANTI

Om din Stanley Fat Max-produkt går sönder på grund av material- och/eller fabriktionsfel inom 12 månader från köpet, åtar sig Stanley Europe att byta ut alla trasiga delar utan kostnad med minsta besvär för kunden eller, efter eget godtycke, utan kostnad byta ut produkten förutsatt att:

- ◆ produkten inte har missköts och har använts enligt bruksanvisningen.
- ◆ produkten har utsatts för normalt slitage.
- ◆ reparationer inte har utförts av personer som inte är auktoriserade reparatörer.
- ◆ inköpskvitto finns.
- ◆ Stanley Fat Max-produkten returneras komplett med alla originaldelar

Om du vill göra ett garantianspråk kontaktar du återförsäljaren, letar upp närmaste auktoriserade Stanley Fat Max-verkstad i Stanley Fat Max-katalogen eller kontaktar det lokala Stanley-kontoret på den adress som är angiven i bruksanvisningen. En lista över alla auktoriserade Stanley Fat Max-verkstäder samt servicevillkor finns på Internet: www.stanley.eu/3

Bruksområde

Stanley Fat Max-vinkelsliperen er utformet for sliping og kutting av metall og mur med passende type kutte- eller slipeskive. Når utstyrt med passende vakt, er dette verktøyet ment for profesjonelle og private, ikke-profesjonelle brukere.

Sikkerhetsinstruksjoner

Generelle sikkerhetsadvarsler for elektroverktøy



Advarsel! Les alle sikkerhetsadvarsler og alle instruksjoner. Hvis advarslene og anvisningene nedenfor ikke overholdes, kan det medføre elektrisk støt, brann og/eller alvorlige personskader.

Ta vare på alle advarsler og instruksjoner for fremtidig bruk. Begrepet "elektroverktøy" i advarslene nedenfor gjelder nettdrevet elektroverktøy (med ledning) eller batteridrevet elektroverktøy (uten ledning).

1. Sikkerhet i arbeidsområdet

- Hold arbeidsområdet rent og godt opplyst.** Rotete eller mørke områder fører lett til ulykker.
- Ikke arbeid med elektroverktøy i eksplosjonsfarlige omgivelser – der det befinner seg brennbare væsker, gass eller støv.** Elektroverktøy forårsaker gnister som kan antenne støv eller gass/damp.
- Hold barn og andre personer unna når du bruker et elektroverktøy.** Hvis du blir forstyrret under arbeidet, kan du miste kontrollen.

2. Elektrisk sikkerhet

- Støpselet til elektroverktøy må passe i stikkkontakten. Støpselet må ikke forandres på noen som helst måte. Ikke bruk adapterstøpsler sammen med jordede elektroverktøy.** Bruk av originale støpsler og passende stikkontakter reduserer risikoen for elektrisk støt.
- Unngå kroppskontakt med jordede overflater som rør, radiatorer, komfyrer og kjøleskap.** Det er større fare for elektrisk støt dersom kroppen din er jordet.
- Hold elektroverktøy unna regn eller fuktighet.** Dersom det kommer vann i et elektroverktøy, øker faren for elektrisk støt.
- Unngå uforvarlig behandling av ledningen.** Bruk aldri ledningen til å bære eller trekke elektroverktøyet eller til å trekke ut støpselet. Hold ledningen unna varme, olje, skarpe kanter eller bevegelige deler. Skadde eller sammenflokede ledninger øker risikoen for elektrisk støt.
- Når du bruker et elektroverktøy utendørs, må du bruke en skjøteledning som er egnet for utendørs bruk.** Når du bruker en skjøteledning som er egnet for utendørs bruk, reduseres risikoen for elektrisk støt.

- Hvis du ikke kan unngå å bruke et elektroverktøy på et fuktig sted, bruker du strømforsyning som er beskyttet med jordfeilbryter.** Bruk av jordfeilbryter reduserer risikoen for elektrisk støt.

3. Personikkerhet

- Vær oppmerksom, pass på hva du gjør, og vis fornuft når du arbeider med et elektroverktøy.** Ikke bruk elektroverktøy når du er trett eller er påvirket av narkotika, alkohol eller medikamenter. Et øyeblikks uoppmerksomhet under bruk av verktøyet kan føre til alvorlige personskader.
- Bruk personlig verneutstyr.** Bruk alltid vernebriller. Bruk av personlig verneutstyr, for eksempel støvmaske, sklisikre vernesko, hjelm eller hørselvern som passer til forholdene, reduserer risikoen for personskader.
- Forhindre utilsiktet start.** Kontroller at bryteren står i posisjon "av" før du kobler til strømkilden og/eller batteripakken, og før du tar opp eller bærer verktøyet. Det kan føre til ulykker hvis du bærer elektroverktøyet med fingeren på bryteren, eller setter strøm på verktøyet når bryteren står på.
- Fjern eventuelle innstillingsverktøy eller skruverktøy før du slår på elektroverktøyet.** Et skruverktøy eller en nøkkel som fortsatt er festet til en roterende del av elektroverktøyet, kan føre til personskade.
- Ikke strekk deg for langt.** Pass på at du alltid har sikkert fotfeste og god balanse. Da kan du kontrollere elektroverktøyet bedre i uventede situasjoner.
- Bruk egnede klær.** Ikke bruk løstsittende klær eller smykker. Hold hår, klær og hansker unna bevegelige deler. Løstsittende tøy, smykker eller langt hår kan bli sittende fast i bevegelige deler.
- Hvis det kan monteres støvavsug- og oppsamlingsinnretninger, må du forvise deg om at disse er tilkoblet og brukes på riktig måte.** Bruk av støvoppsamling kan redusere faren i forbindelse med støv.

4. Bruk og behandling av elektroverktøy

- Ikke bruk makt på elektroverktøyet.** Bruk riktig elektroverktøy for bruksområdet. Med et passende elektroverktøy arbeider du bedre og sikrere med den farten det er beregnet for.
- Ikke bruk elektroverktøyet hvis du ikke kan slå det på og av med bryteren.** Et elektroverktøy som ikke kan kontrolleres med bryteren, er farlig og må repareres.
- Trekk støpselet ut av stikkkontakten og/eller koble fra batteripakken på elektroverktøyet før du utfører innstillinger, bytter tilbehør eller legger elektroverktøyet bort.** Disse forebyggende sikkerhetstiltakene reduserer risikoen for utilsiktet start av elektroverktøyet.

- d. **Elektroverktøy som ikke er i bruk, må oppbevares utilgjengelig for barn. Ikke la verktøyet bli brukt av personer som ikke er fortrolig med det, eller som ikke har lest denne bruksanvisningen.** Elektroverktøy er farlige når de brukes av uerfarne personer.
- e. **Sørg for vedlikehold av elektroverktøy.** Undersøk om bevegelige deler er feiljustert eller blokkert, om deler er skadet, og om det er andre forhold som kan påvirke elektroverktøets funksjon. Hvis elektroverktøyet er skadet, må det repareres før bruk. Dårlig vedlikeholdt elektroverktøy er årsaken til mange ulykker.
- f. **Hold skjæreverktøy skarpe og rene.** Godt vedlikeholdte skjæreverktøy med skarpe egger setter seg ikke så ofte fast og er lettere å føre.
- g. **Bruk elektroverktøy, tilbehør, bits osv. i henhold til disse instruksjonene. Ta hensyn til arbeidsforholdene og arbeidet som skal utføres.** Bruk av elektroverktøy til andre formål enn det som er angitt, kan føre til farlige situasjoner.
5. **Service**
- a. **Elektroverktøy skal alltid repareres av kvalifisert personell og kun med originale reservedeler.** Dette sikrer at elektroverktøets sikkerhet opprettholdes.

Ytterligere sikkerhetsadvarsler for elektroverktøy



Advarsel! Ytterligere sikkerhetsadvarsler for sliping, pussing, trådbørsting, polering eller slipekutting

- ◆ Dette verktøyet er beregnet til bruk ved sliping, pussing, trådbørsting, polering eller kutting. Les alle sikkerhetsadvarsler, instruksjoner, illustrasjoner og spesifikasjoner som følger med dette elektroverktøyet. Hvis ikke alle instruksjonene nedenfor overholdes, kan det medføre elektrisk støt, brann og/eller alvorlige personskader.
- ◆ Hvis elektroverktøyet brukes til oppgaver det ikke er utformet for, kan det medføre fare og forårsake personskade.
- ◆ Ikke bruk tilbehør som ikke er spesifikt utformet og anbefalt av verktøyprodusenten. Selv om tilbehøret kan festes til elektroverktøyet, sikrer ikke dette trygg bruk.
- ◆ Den normerte hastigheten til tilbehøret må være minst like stor som maksimalhastigheten som er angitt på elektroverktøyet. Tilbehør som går fortere enn sin normerte hastighet, kan gå i stykker.
- ◆ Den utvendige diameteren og tykkelsen til tilbehøret må være innenfor den normerte kapasiteten til elektroverktøyet. Tilbehør med feil størrelse kan ikke beskyttes eller kontrolleres tilstrekkelig.
- ◆ Spindelhullstørrelsen til skiver, flenser, underlagsskiver eller annet tilbehør må passe til spindelen på elektroverktøyet. Tilbehør med spindelhull som ikke passer til monteringsutstyret til elektroverktøyet, vil kjøre i ubalanse og vibrere sterkt og kan føre til at du mister kontrollen.
- ◆ Ikke bruk tilbehør som er skadet. Før du bruker tilbehør, må du alltid undersøke det, for eksempel slipeskiver for avskalling og sprekker, underlagsskiver for sprekker eller sterk slitasje eller trådbørsten for løse eller knekte tråder. Hvis elektroverktøyet eller tilbehøret slippes ned, må du undersøke det for skade eller montere tilbehør som ikke er skadet. Etter å ha undersøkt og montert tilbehør skal du kjøre elektroverktøyet på maksimal hastighet uten belastning i ett minutt. Skadet tilbehør vil normalt gå i stykker i denne testperioden.
- ◆ Bruk personlig verneutstyr. Avhengig av anvendelse må du bruke ansiktsvisir eller vernebriller. Ved behov må du bruke støvmaske, hørselvern, hansker og arbeidsforkle som kan stoppe små fragmenter av slipeutstyret eller arbeidsstykket. Øyebeskyttelsen må være i stand til å stoppe flygende avfall som dannes ved ulike operasjoner. Støvmasken eller gassmasken må kunne filtrere partikler som dannes under arbeidet. Hvis du utsettes for støy med høy intensitet over lengre tid, kan det skade hørselen.
- ◆ Hold personer i nærheten på trygg avstand fra arbeidsområdet. Alle som befinner seg i arbeidsområdet, må bruke personlig verneutstyr. Fragmenter av arbeidsstykket eller skadet tilbehør, kan fly av gårde og forårsake personskade utenfor det umiddelbare arbeidsområdet.
- ◆ Hold elektroverktøyet bare i de isolerte grepene når du utfører et arbeid hvor skjæretilbehøret kan komme i kontakt med skjulte ledninger eller sin egen kabel. Hvis skjærende tilbehør kommer i kontakt med en strømførende ledning, kan metalldele uten isolasjon på verktøyet bli strømførende, og brukeren kan få støt.
- ◆ Hold ledningen unna roterende tilbehør. Hvis du mister kontrollen, kan ledningen bli kuttet eller bli sittende fast, og hånden eller armen kan bli trukket inn i det roterende tilbehøret.
- ◆ Ikke legg elektroverktøyet ned før det har stoppet helt. Det roterende tilbehøret kan gripe i underlaget og trekke i elektroverktøyet så du mister kontrollen.
- ◆ Ikke kjør elektroverktøyet mens du bærer det langs siden. Hvis det roterende tilbehøret ved et uhell kommer i kontakt med klærne, kan det bli sittende fast, og tilbehøret kan bli trukket inn i kroppen din.
- ◆ Rengjør luftenåpningene på elektroverktøyet jevnlig. Motorviften vil trekke støv inn i huset, og opphopning av mye metallstøv kan forårsake elektrisk fare.

- ◆ **Ikke bruk elektroverktøyet i nærheten av brennbare materialer.** Gnister kan antenne disse materialene.
- ◆ **Ikke bruk tilbehør som krever kjølevæske.** Bruk av vann eller annen kjølevæske kan føre til elektrisk støt som kan være dødelig.

Merknad: Advarselen ovenfor gjelder ikke elektroverktøy som er utformet spesielt for bruk sammen med et væskesystem.

Advarsler om tilbakeslag og lignende

Tilbakeslag er en plutselig reaksjon på en klemt eller festsittende roterende skive, underlagsskive, børste eller annet tilbehør. Hvis det roterende tilbehøret blir klemt eller sitter fast, stanser det brått, og dette tvinger det ukontrollerte elektroverktøyet i motsatt retning av rotasjonen til tilbehøret i koblingspunktet.

Hvis for eksempel en slipeskive blir sittende fast eller blir klemt i arbeidsstykket, kan kanten av skiven som går inn i klempunktet, grave seg ned i overflaten til materialet og få skiven til å klatre ut eller slå ut. Skiven kan hoppe mot eller bort fra brukeren avhengig av bevegelsesretningen til skiven i klempunktet.

Slipeskiver kan også gå i stykker under slike forhold.

Tilbakeslag er et resultat av feil bruk av elektroverktøyet og/eller feil bruksprosedyrer eller bruksforhold, og kan unngås ved at du tar riktige forholdsregler som forklart nedenfor.

- ◆ **Hold elektroverktøyet med et fast grep, og stå med kroppen og armene slik at du kan motstå tilbakeslagskrefter.** Bruk alltid hjelpéhåndtak, hvis det følger med, for å ha best mulig kontroll over tilbakeslags- eller dreiningsreaksjoner under start. Brukeren kan kontrollere dreiningsreaksjoner eller tilbakeslagskrefter hvis det tas riktige forholdsregler.
- ◆ **Plasser aldri hånden i nærheten av det roterende tilbehøret.** Tilbehøret kan slå tilbake over hånden.
- ◆ **Ikke plasser kroppen i området der elektroverktøyet vil bevege seg ved tilbakeslag.** Et tilbakeslag vil sende verktøyet i den motsatte retningen av skivens bevegelse i festepunktet.
- ◆ **Vær spesielt varsom når du arbeider ved hjørner, skarpe kanter osv.** Unngå at tilbehøret hopper eller blir sittende fast. Det roterende tilbehøret har en tendens til å bli sittende fast ved hjørner eller skarpe kanter eller når det hopper, og du kan miste kontrollen eller få tilbakeslag.
- ◆ **Ikke sett på et kjedesagblad for tre eller et tannet sagblad.** Slike blader gir ofte tilbakeslag og tap av kontroll.

Spesielle sikkerhetsadvarsler for sliping og slipekuttingsoppgaver

- ◆ **Bruk bare skivetyper som er anbefalt for elektroverktøyet og det spesielle vernet som er utformet for den valgte skiven.** Skiver som elektroverktøyet ikke er utformet for, kan ikke beskyttes tilstrekkelig og er ikke sikre.
- ◆ **Vernet må være sikkert festet til elektroverktøyet og må være plassert for maksimal sikkerhet, så en minst mulig del av skiven er eksponert mot brukeren.** Vernet bidrar til å beskytte brukeren mot fragmenter av ødelagte skiver og kontakt med skiven ved et uhell.
- ◆ **Skiver må bare brukes til anbefalte anvendelser. Eksempel: Ikke slip med siden av en kutteskive.** Slipeskiveskiver er beregnet for sliping med periferen, og hvis disse skivene utsettes for sidekrefter, kan de gå i stykker.
- ◆ **Bruk alltid skiveflenser uten skader og med korrekt størrelse og form for den valgte skiven.** Riktige skiveflenser støtter skiven og reduserer dermed muligheten for at skiven går i stykker. Flenser for kutteskiver kan være forskjellige fra slipeskiveflenser.
- ◆ **Ikke bruk slitte skiver fra større elektroverktøy.** Skiver som er beregnet for større elektroverktøy, er ikke egnet for den høye hastigheten til et mindre verktøy og kan gå i stykker.

Ytterligere spesielle sikkerhetsadvarsler for slipekuttingsoppgaver

- ◆ **Ikke kjør fast kutteskiven, og ikke bruk makt.** Ikke prøv å oppnå for stor kuttedybde. Hvis skiven overbelastes, kan det øke kreftene og tendensen til å vri eller sette fast skiven i kuttet og øke muligheten for tilbakeslag eller at skiven går i stykker.
- ◆ **Ikke plasser kroppen på linje med og bak den roterende skiven.** Når skiven, i arbeidspunktet, beveger seg bort fra kroppen din, kan et mulig tilbakeslag sende den roterende skiven og elektroverktøyet direkte mot deg.
- ◆ **Når skiven setter seg fast, eller du avbryter et kutt av én eller annen grunn, må du slå av elektroverktøyet og holde det uten å bevege det til skiven stanser helt.** Prøv aldri å fjerne kutteskiven fra kuttet mens skiven beveger seg, for ellers kan det forekomme tilbakeslag. Undersøk, og treff korrigerende tiltak for å fjerne årsaken til at skiven sitter fast.
- ◆ **Ikke start kutteoperasjonen på nytt i arbeidsstykket.** La skiven oppnå full hastighet, og gå forsiktig inn i kuttet igjen. Skiven kan sette seg fast, klatre eller slå tilbake hvis elektroverktøyet startes på nytt i arbeidsstykket.

- ◆ **Støtt plater eller andre store arbeidsstykker for å minimere risikoen for klemming av skiven og tilbakeslag.** Store arbeidsstykker har en tendens til å bli bøyd av sin egen vekt. Støtter må plasseres under arbeidsstykket i nærheten av kuttelinjen og i nærheten av kanten av arbeidsstykket på begge sider av skiven.
- ◆ **Vær ekstra varsom når du kutter en "lomme" i eksisterende vegger eller andre steder du ikke ser.** Skiven som stikker frem, kan kutte gass- eller vannrør, elektriske ledninger eller gjenstander som kan forårsake tilbakeslag.

Spesielle sikkerhetsadvarsler for pussing

- ◆ **Ikke bruk for store sandpapirskiver. Følg produsentens anbefalinger når du velger sandpapir.** Et stort sandpapir som går utenfor underlagsskiven, gir fare for oppflerring og kan føre til fastkiling, riving i skiven eller tilbakeslag.

Spesielle sikkerhetsadvarsler for polering

- ◆ **Ikke la noen løse deler av poleringsshetten eller festesnorene snurre fritt. Stikk unna eller kutt eventuelle løse festesnorer.** Løse eller roterende festesnorer kan sette seg fast i fingrene eller henge fast i arbeidsstykket.

Spesielle sikkerhetsadvarsler for trådbørsting

- ◆ **Vær klar over at tråder fra busten kastes ut av børsten selv ved vanlig bruk. Ikke overbelast trådene ved å bruke makt på børsten.** Tråder fra busten kan lett gå gjennom lette klær og/eller huden.
- ◆ **Hvis bruk av et vern er anbefalt for trådbørsting, må ikke trådskiven eller børsten komme i kontakt med vernet.** Diameteren til trådskiven eller børsten kan øke på grunn av arbeidsbelastning og sentrifugalkrefter.

Andre personers sikkerhet

- ◆ Det er ikke meningen at dette produktet skal brukes av personer (inkludert barn) med reduserte fysiske, sansemessige eller mentale evner, eller som mangler erfaring og kunnskap, med mindre de har fått oppfølging eller instruksjon når det gjelder bruken av produktet, fra en person som er ansvarlig for deres sikkerhet.
- ◆ Barn skal være under oppsyn så du er sikker på at de ikke leker med produktet.

Andre risikoer

Ved bruk av produktet kan det oppstå ytterligere risikoer som kanskje ikke er inkludert i sikkerhetsadvarslene som følger med. Disse risikoene kan bli forårsaket av feil bruk, langvarig bruk osv.

Selv om de relevante sikkerhetsbestemmelsene blir fulgt, og sikkerhetstiltakene blir gjennomført, kan visse gjenværende risikoer ikke unngås. Disse omfatter:

- ◆ **Personskader som forårsakes av berøring av en roterende/bevegelig del.**

- ◆ **Personskader som forårsakes av at en del, et blad eller tilbehør endres.**
- ◆ **Personskader som forårsakes av langvarig bruk av et verktøy. Når du bruker et verktøy i lange perioder, må du sørge for å ta regelmessige pauser.**
- ◆ **Svekket hørsel.**
- ◆ **Helsefarer som forårsakes av innånding av støv som dannes når du bruker verktøyet (eksempel: arbeid med tre, spesielt eik, bøk og MDF).**

Vibrasjon

Vibrasjonsemisjonsverdien som er angitt under tekniske data og samsvarserklæring, er blitt målt i henhold til en standard testmetode som er angitt i EN 60745, og kan brukes til å sammenligne et verktøy med et annet. Den oppgitte vibrasjonsemisjonsverdien kan også brukes til en foreløpig vurdering av eksponering.

Advarsel! Vibrasjonsemisjonsverdien under faktisk bruk av elektroverktøyet kan avvike fra den oppgitte verdien avhengig av måten verktøyet blir brukt på. Vibrasjonsnivået kan øke over nivået som er oppgitt.

Når man vurderer vibrasjonseksponering for å bestemme sikkerhetstiltak som kreves i 2002/44/EF, for å beskytte personer som bruker elektroverktøy regelmessig i arbeidet, skal man når man anslår vibrasjonseksponeringen, ta hensyn til de faktiske bruksforholdene og måten verktøyet blir brukt på, inkludert hensyn til alle deler av brukssyklusen – også de gangene verktøyet slås av, og når det går på tomgang, i tillegg til tiden utløseren er inne.

Merking på verktøyet

Følgende symboler vises på verktøyet:



Advarsel! Brukeren må lese håndboken for å redusere risikoen for personskade.



Benytt vernebriller når du bruker dette verktøyet.



Benytt hørselvern når du bruker dette verktøyet.

Elektrisk sikkerhet



Dette apparatet er dobbeltisolert. Jording er derfor ikke nødvendig. Kontroller alltid at strømforsyningen er i overensstemmelse med spenningen på typeskiltet.

- ◆ Hvis strømledningen blir skadet, må den skiftes av produsenten eller et autorisert Stanley Fat Max-service-senter så man unngår fare.

Funksjoner

Dette verktøyet har enkelte av eller alle funksjonene nedenfor.

1. På/av-bryter
2. Sidehåndtak
3. Spindellås
4. Slipevern

Montering

Advarsel! Før monteringen må du passe på at verktøyet er slått av, og at støpselet er trukket ut.

Montere og demontere vernet (figur A)

Verktøyet leveres med et vern som er beregnet bare for slipe- og skjæroppgaver. Sørg for at du bruker riktig vern som passer til oppgaven. Hvis verktøyet skal brukes til kutting, må det monteres et vern som er utformet spesielt for denne bruken (17, Figur F_).

Montering

- ◆ Plasser verktøyet på et bord med spindelen (5) vendt oppover.
- ◆ Løsne klemmelåsen (7), og hold vernet (4) over verktøyet som vist.
- ◆ Plasser tappene (8) i forhold til hakkene (9).
- ◆ Trykk vernet ned, og dreii det mot klokken til den ønskede stillingen.
- ◆ Fest klemmelåsen (7) for å feste vernet til verktøyet.
- ◆ Om nødvendig strammer du skruen (6) for å øke klemmekraften.

Demontering

- ◆ Løsne klemmelåsen (7).
- ◆ Drei vernet med klokken for å plassere tappene (8) i forhold til hakkene (9).
- ◆ Fjern vernet fra verktøyet.

Advarsel! Bruk aldri verktøyet uten vernet.

Montere sidehåndtaket

- ◆ Skru sidehåndtaket (2) inn i et av monteringshullene i verktøyet.

Advarsel! Bruk alltid sidehåndtaket.

Montere og demontere slipe- eller kutteskiver (figur B–D)

Bruk alltid riktig type skive for anvendelsen. Bruk alltid skiver med riktig diameter og hulldimensjon (se tekniske data).

Montering

- ◆ Monter vernet som beskrevet ovenfor.
- ◆ Sett den indre flensen (10) på spindelen (5) som vist (figur B). Pass på at flensen er riktig plassert på de flate sidene av spindelen.

- ◆ Sett skiven (11) på spindelen (5) som vist (figur B). Hvis skiven er opphøyd på midten (12), må du passe på at den opphøyde midtdelen er vendt mot den indre flensen.
- ◆ Pass på at skiven plasseres korrekt på den indre flensen.
- ◆ Plasser den ytre flensen (13) på spindelen. Når du monterer en slipeskive, skal den opphøyde midtdelen på den ytre flensen vende mot skiven (A i figur C). Når du monterer en kutteskive, skal den opphøyde midtdelen på den ytre flensen vende bort fra skiven (B i figur C).
- ◆ Hold spindellåsen (3) nedklemt, og stram den ytre flensen med nøkkelen (14) med to tapper (figur D).

Demontering

- ◆ Hold spindellåsen (3) nedklemt, og løsne den ytre flensen (13) med nøkkelen (14) med to tapper (figur D).
- ◆ Fjern den ytre flensen (13) og skiven (11).

Sette på og ta av sandpapirskiver (figur D og E).

Ved pussing kreves en underlagsskive. Underlagsskiven er tilgjengelig hos Stanley Fat Max-forhandleren som tilhører.

Montering

- ◆ Sett den indre flensen (10) på spindelen (5) som vist (figur E). Pass på at flensen er riktig plassert på de flate sidene av spindelen.
- ◆ Plasser underlagsskiven (15) på spindelen.
- ◆ Plasser sandpapirskiven (16) på underlagsskiven.
- ◆ Plasser den ytre flensen (13) på spindelen med den opphøyde midtdelen vendt bort fra skiven.
- ◆ Hold spindellåsen (3) nedklemt, og stram den ytre flensen med nøkkelen (14) med to tapper (figur D). Pass på at den ytre flensen er riktig montert, og at skiven er klemt godt fast.

Demontering

- ◆ Hold spindellåsen (3) nedklemt, og løsne den ytre flensen (13) med nøkkelen (14) med to tapper (figur D).
- ◆ Fjern den ytre flensen (13), sandpapirskiven (16) og underlagsskiven (15).

Bruk

Advarsel! La verktøyet arbeide med sin egen hastighet. Ikke overbelast det.

- ◆ Før ledningen med varsomhet for å unngå å kutte den ved et uhell.
- ◆ Vær forberedt på en strøm av gnister når slipe- eller kutteskiven berører arbeidsstykket.
- ◆ Plasser alltid verktøyet slik at vernet gir maksimal beskyttelse mot slipe eller kutteskiven.

Slå på og av

- ◆ Når du vil slå på, skyver du på/av-bryteren (1) fremover, og deretter trykker du den inn. Legg merke til at verktøyet fortsetter å gå når du slipper bryteren.
- ◆ Når du vil slå av, trykker du på den bakre delen av på/av-bryteren.

Advarsel! Ikke slå verktøyet av mens det er belastet.

Råd for optimal bruk

- ◆ Hold verktøyet fast med den ene hånden rundt sidehåndtaket og den andre hånden rundt hovedhåndtaket.
- ◆ Når du sliper, må du alltid opprettholde en vinkel på ca. 15° mellom skiven og arbeidsstykkets overflate.

Vedlikehold

Det nettdrevne/batteridrevne Stanley Fat Max-apparatet/verktøyet er konstruert for å være i drift over lengre tid med et minimum av vedlikehold. Det er avhengig av riktig stell og regelmessig rengjøring for å fungere som det skal til enhver tid.

Advarsel! Før du utfører vedlikehold på nettdrevet/batteridrevet elektroverktøy:

- ◆ Slå av apparatet/verktøyet og trekk ut støpselet.
- ◆ Eller slå av apparatet/verktøyet og fjern batteriet fra dette hvis apparatet/verktøyet har separat batteripakke.
- ◆ Eller la batteriet gå helt tomt hvis det er innebygd, og slå deretter av.
- ◆ Fjern laderen fra stikkkontakten før du rengjør den. Laderen krever ikke annet vedlikehold enn regelmessig rengjøring.
- ◆ Rengjør ventilasjonsåpningene i apparatet/verktøyet/laderen jevnlig med en myk børste eller tørr klut.
- ◆ Rengjør motorhuset regelmessig med en fuktig klut. Ikke bruk slipende eller løsemiddelbaserte rengjøringsmidler.
- ◆ Åpne chucken regelmessig, og bank på den for å fjerne eventuelt støv fra innsiden (hvis det er aktuelt).

Bytte nettstøpsel (gjelder bare Storbritannia og Irland)

Hvis det må settes på nytt nettstøpsel:

- ◆ Kast det gamle støpselet på en trygg måte.
- ◆ Koble den brune ledningen til den strømførende terminalen i det nye støpselet.
- ◆ Koble den blå ledningen til den nøytrale terminalen.

Advarsel! Du skal ikke koble til jordterminalen. Følg monteringsinstruksjonene som følger med støpsler av god kvalitet. Anbefalt sikring: 13 A.

Miljø



Separat avfallshåndtering. Dette produktet må ikke kastes sammen med vanlig husholdningsavfall.

Hvis du synes Stanley Fat Max-produktet bør skiftes ut, eller du ikke har bruk for det lenger, må du ikke kaste det sammen med husholdningsavfall. Sørg for separat avfallshåndtering for dette produktet.



Hvis brukte produkter og emballasje leveres atskilt, kan materialer resirkuleres og brukes på nytt. Gjenbruk av resirkulerte materialer bidrar til redusert miljøforurensing og reduserer behovet for råmaterialer.

Det kan være lokale bestemmelser for separat avfallshåndtering for elektriske produkter fra husstander på kommunale avfallsplasser eller hos forhandleren, når du kjøper et nytt produkt.

Stanley Europe har en ordning for innsamling og resirkulering av Stanley Fat Max-produkter som ikke skal brukes lenger. Du kan benytte denne tjenesten ved å levere produktet til et hvilket som helst autorisert serviceverksted.

Du kan finne ut hvor nærmeste autoriserte serviceverksted er, ved å kontakte din lokale Stanley Europe-avdeling på adressen som er oppgitt i denne håndboken. En oversikt over autoriserte Stanley Europe-serviceverksteder og alle opplysninger om ettersalgsservice og kontakter er også tilgjengelig på Internett: www.2helpU.com

Tekniske data

		FME811 (Type 1)	FME812 (Type 1)
Inngangsspenning	V _{ac}	230	230
Inngangseffekt	W	850	850
Hastighet ubelastet	min ⁻¹	12,000	12,000
Skivediameter	mm	115	125
Skivehulldimensjon	mm	22	22
Maks. skivetykkelse			
slipeskiver	mm	6	6
kutteskiver	mm	3.5	3.5
Spindelstørrelse		M14	M14
Vekt	kg	2.1	2.1

L_{pA} (lydtrykk) 94.5 dB(A), usikkerhet (K) 3 dB(A)
L_{WA} (lydeffekt) 105.5 dB(A), usikkerhet (K) 3 dB(A)
Totale vibrasjonsverdier (vektorsum fra tre retninger) i henhold til EN 60745:
Overflatesliping ($a_{h,SG}$) 9.9 m/s ² , usikkerhet (K) 1.5 m/s ²
Avkutting (a_{h}) 9.1 m/s ² , usikkerhet (K) 1.5 m/s ²
Polering ($a_{h,p}$) 5.0 m/s ² , usikkerhet (K) 1.5 m/s ²
Pussing med skive ($a_{h,DS}$) 3.3 m/s ² , usikkerhet (K) 1.5 m/s ²
Trådbrøsting (a_{h}) 9.2 m/s ² , usikkerhet (K) 1.5 m/s ²

EF-samsvarserklæring

MASKINDIREKTIV



FME811/FME812

Stanley Europe erklærer at disse produktene som er beskrevet under "Tekniske data", er i samsvar med: 2006/42/EF, EN 60745-1, EN 60745-2-3

Disse produktene er også i samsvar med direktiv 2004/108/EF og 2011/65/EU. Hvis du ønsker mer informasjon, kontakt Stanley Europe på følgende adresse, eller se på baksiden av håndboken.

Undertegnede er ansvarlig for utarbeidelsen av den tekniske dokumentasjonen og gir denne erklæringen på vegne av Stanley Europe.

Kevin Hewitt
Vice-President Global Engineering
Stanley Europe, Egide Walschaertsstraat14-18,
2800 Mechelen, Belgia
19/04/2013

Garanti

Stanley Europe er trygg på kvaliteten på sine produkter og tilbyr en enestående garanti til profesjonelle brukere av produktet. Denne garantierklæringen kommer i tillegg til og reduserer på ingen måte dine kontraktmessige rettigheter som privat ikke-profesjonell bruker. Garantien er gyldig i EU- og EFTA-medlemsstatene.

FULL GARANTI I ETT ÅR

Hvis Stanley Fat Max-produktet blir defekt på grunn av material- eller produksjonsfeil innen 12 måneder fra kjøpsdatoen, garanterer Stanley Europe å erstatte alle defekte deler uten betaling eller – hvis vi velger dette – å erstatte enheten uten betaling forutsatt at:

- ◆ Produktet er ikke blitt brukt på feil måte og er blitt brukt i samsvar med bruksanvisningen.
- ◆ Produktet har vært utsatt for rimelig slitasje.
- ◆ Uautoriserte personer har ikke gjort forsøk på å reparere produktet.
- ◆ Det legges frem kjøpsdokumentasjon.
- ◆ Stanley Fat Max-produktet returneres i sin helhet med alle originale komponenter.

Hvis du ønsker å fremme et krav, må du kontakte selgeren eller finne adressen til nærmeste autoriserte Stanley Fat Max-serviceverksted i Stanley Fat Max-katalogen eller kontakte din lokale Stanley-avdeling på adressen som er oppgitt i denne håndboken. En liste over autoriserte Stanley Fat Max-serviceverksteder og alle opplysninger om ettersalgsservice er tilgjengelig på Internett: www.stanley.eu/3

Anvendelsesområde

Din Stanley Fat Max-vinkelsliber er designet til at slibe og skære metal og murværk vha. den rette type skære- eller slibeskive. Når udstyret med egnede værn, er dette værktøj beregnet til professionelle og private, ikke-professionelle brugere.

Sikkerhedsvejledning

Generelle sikkerhedsadvarsler vedrørende elværktøj



Advarsel! Læs alle sikkerhedsadvarsler og instruktioner. Hvis nedenstående instruktioner og advarsler ikke følges, er der risiko for elektrisk stød, brand og/eller alvorlige personskader.

Gem alle advarsler og anvisninger til senere brug.

Begrebet "elværktøj", der benyttes i nedenstående advarsler, henviser til netdrevet elværktøj (med netledning) eller batteridrevet elværktøj (uden netledning).

1. Sikkerhed i arbejdsområdet

- Hold arbejdsområdet rent og ordentligt oplyst.**
Uordentlige og mørke områder øger faren for uheld.
- Brug ikke elværktøj i eksplosive omgivelser, f.eks. hvor der er brændbare væsker, gasser eller støv.**
Elværktøj kan forårsage gnister, der kan antænde støv eller dampe.
- Hold børn og andre personer på afstand, når et elværktøj er i brug.** Du kan miste kontrollen over værktøjet, hvis du distraheres.

2. Elektricitet og sikkerhed

- Elværktøjsstik skal passe til stikkontakten. Stikket må under ingen omstændigheder ændres. Brug ikke adapterstik sammen med jordforbundet elværktøj.**
Uændrede stik, der passer til stikkontakterne, nedsætter risikoen for elektrisk stød.
- Undgå kropskontakt med jordforbundne overflader som f.eks. rør, radiatorer, komfurer og køleskabe.** Hvis din krop er jordforbundet, øges risikoen for elektrisk stød.
- Elværktøj må ikke udsættes for regn eller fugt.**
Indtrængen af vand i elværktøj øger risikoen for elektrisk stød.
- Ødelæg ikke ledningen. Bær, træk eller afbryd ikke elværktøjet vha. ledningen. Beskyt ledningen mod varme, olie, skarpe kanter eller maskindele, der er i bevægelse.** Beskadigede eller sammenfiltrede ledninger øger risikoen for elektrisk stød.

- Hvis elværktøj benyttes i det fri, skal der benyttes en forlængerledning, som er godkendt til udendørs brug.** Brug af en forlængerledning til udendørs brug nedsætter risikoen for elektrisk stød.
- Brug en strømkilde med fejlstrømsbeskyttelse, hvis det er uundgåeligt at anvende elværktøj på fugtige steder.** Med en fejlstrømsbeskyttelse reduceres risikoen for elektrisk stød.

3. Personlig sikkerhed

- Vær opmærksom, hold øje med, hvad du laver, og brug elværktøjet fornuftigt. Brug ikke et elværktøj, hvis du er træt eller påvirket af stoffer, medicin eller alkohol.** Få sekunders uopmærksomhed ved brug af elværktøjet kan føre til alvorlige personskader.
 - Brug personlige værnemidler. Brug altid beskyttelsesbriller.** Brug af værnemidler som f.eks. støvmaske, skridsikkert fodtøj, beskyttelseshjelm eller høreværn nedsætter risikoen for personskader, hvis udstyret anvendes korrekt.
 - Sørg for, at værktøjet ikke kan starte utilsigtet. Kontroller, at afbryderkontakten står på slukket, inden værktøjet tilsluttes strømkilden og/eller batteriet, samles op eller bæres.** Bæres elværktøj, mens fingeren er på kontakten, eller tilsluttes det, mens kontakten står på tændt, kan der nemt ske en ulykke.
 - Fjern indstillingsværktøj eller skruenøgle, inden elværktøjet tændes.** Et værktøj eller en nøgle, der efterlades i en roterende del i elværktøjet, kan resultere i personskader.
 - Stræk dig ikke for langt. Sørg for, at du altid har sikkert fodfæste og balance.** Det gør det nemmere at kontrollere elværktøjet, hvis der skulle opstå uventede situationer.
 - Brug egnet arbejdstøj. Undgå løse beklædningsgenstande eller smykker. Hold hår, tøj og handsker væk fra dele, der bevæger sig.** Bevægelige dele kan gribe fat i løstsiddende tøj, smykker eller langt hår.
 - Hvis støvudsugnings- og opsamlingsudstyr kan monteres, er det vigtigt, at dette tilsluttes og benyttes korrekt.** Brug af udstyr til opsamling af støv kan nedsætte risikoen for støvrelateret personskade.
- #### 4. Brug og vedligeholdelse af elværktøj
- Undgå at overbelaste elværktøjet. Brug altid det rette elværktøj til opgaven.** Med det rigtige elværktøj udføres arbejdet lettere og sikrere og i det tempo, som værktøjet er beregnet til.
 - Brug ikke elværktøjet, hvis afbryderen er defekt.** Elværktøj, der ikke kan reguleres med afbryderen, er farligt og skal repareres.

- c. **Træk stikket ud af stikkontakten og/eller batteriet inden indstilling, tilbehørsudskiftning eller opbevaring af elværktøjet.** Disse sikkerhedsforanstaltninger reducerer risikoen for utilsigtet start af værktøjet.
- d. **Opbevar ubenyttet elværktøj uden for børns rækkevidde. Lad aldrig personer, der ikke er fortrolige med elværktøj, eller som ikke har gennemlæst disse instruktioner, benytte maskinen.** Elværktøj er farligt, hvis det benyttes af ukyndige personer.
- e. **Elværktøj bør vedligeholdes omhyggeligt. Kontroller, om bevægelige dele er skæve og ikke sidder fast, og om delene er brækket eller beskadiget, så elværktøjets funktion påvirkes. Få beskadigede dele repareret, inden elværktøjet tages i brug.** Mange uheld skyldes dårligt vedligeholdt elværktøj.
- f. **Sørg for, at skæreværktøjer er skarpe og rene.** Ordentligt vedligeholdt skæreværktøj med skarpe skærekanter sætter sig ikke så hurtigt fast og er nemmere at styre.
- g. **Brug elværktøjet, tilbehøret, indsatsværktøj osv. i overensstemmelse med disse instruktioner under hensyntagen til arbejdsforholdene og arbejdet, der skal udføres med værktøjet.** I tilfælde af anvendelse af elværktøjet til formål, som ligger uden for det fastsatte anvendelsesområde, kan der opstå farlige situationer.

5. Service

- a. **Få altid elværktøjet repareret af kvalificerede fagfolk med udelukkende identiske reservedele.** Dermed opretholdes elværktøjets sikkerhed.

Yderligere sikkerhedsadvarsler for elværktøj



Advarsel! Yderligere sikkerhedsadvarsler for slibning, pudsning, stålborstning, polering og afskæring ved slibning

- ◆ **Dette elværktøj er beregnet til at fungere som sliber, pudser, stålborster, poleremaskine og afskæringsværktøj. Læs alle sikkerhedsadvarsler, instruktioner, illustrationer og specifikationer, der leveres med dette elværktøj.** Hvis nedenstående instruktioner ikke følges, kan der opstå risiko for elektrisk stød, brand og/eller alvorlige personskader.
- ◆ **Funktioner, som elværktøjet ikke er beregnet til, kan forårsage fare og personskade.**
- ◆ **Anvend ikke tilbehør, der ikke er specifikt designet og anbefalet af værktøjets producent.** Selvom tilbehøret umiddelbart kan monteres på elværktøjet, er det ikke nødvendigvis sikkert at bruge.
- ◆ **Tilbehørets nominelle hastighed skal mindst være lig med den maksimale hastighed, der er angivet på elværktøjet.** Tilbehør, der kører hurtigere end den nominelle hastighed, kan gå itu og spredes.
- ◆ **Tilbehørets udvendige diameter og tykkelse skal ligge inden for elværktøjets nominelle kapacitet.** Tilbehør med forkert størrelse kan ikke afskærmes eller kontrolleres i tilstrækkelig grad.
- ◆ **Referencestørrelsen af hjul, flanger, underpuder eller andet tilbehør skal passe til spindlen på elværktøjet.** Tilbehør med referencehuller, der ikke passer til elværktøjets monteringsudstyr, vil ikke køre i balance, vibrere for meget og kan forårsage, at du mister kontrollen.
- ◆ **Brug ikke beskadiget tilbehør. Før hver anvendelse skal tilbehøret inspiceres, f.eks. slibehjul for spåner og revner, underpude for revner og slitage, stålborster for løse eller beskadigede ledninger. Hvis elværktøj eller tilbehør tabs, skal det inspiceres for beskadigelse, eller et nyt ubeskadiget tilbehør skal monteres.** Efter inspektion og montering af et tilbehør køres elværktøjet ved maksimal hastighed uden belastning i et minut. Beskadiget tilbehør vil normalt gå itu under denne testkørsel.
- ◆ **Brug personlige værnemidler. Afhængigt af anvendelse bruges ansigtsskærm, sikkerhedsbriller eller beskyttelsesbriller. Brug støvmaske, hørevern, handsker og værkstedsforklæde, som kan stoppe små slibestykker eller arbejdsnemestykker.** Øjenværnet skal kunne stoppe flyvende elementer, der opstår ved forskellige handlinger. Støvmasken eller åndedrætsværnet skal kunne filtrere partikler, der opstår ved arbejdet. Forlænget eksponering for intensiv støj kan forårsage høretab.
- ◆ **Hold omkringstående på sikker afstand af arbejdsområdet. Alle, som indtræder på arbejdsområdet, skal bære personligt sikkerhedsudstyr.** Fragmenter af arbejdsnemmer eller ituslået tilbehør kan flyve væk og forårsage skade uden for det umiddelbare betjeningsområde.
- ◆ **Hold kun i elværktøjets isolerede gribeblade, hvis der er risiko for, at skæretilbehøret kommer i kontakt med skjulte ledninger eller værktøjets egen ledning.** Skæretilbehør, der kommer i kontakt med en strømførende ledning, kan gøre elværktøjets uisolerede metaldele strømførende, så brugeren får stød.
- ◆ **Hold ledningen fri af roterende tilbehør.** Hvis du mister kontrollen, kan ledningen blive skåret eller blokeret, og hænder eller arme kan blive trukket ind i det roterende tilbehør.
- ◆ **Læg ikke elværktøjet ned, før tilbehøret er helt stoppet.** Det roterende tilbehør kan gribe fat i overfladen, så du mister styringen over elværktøjet.
- ◆ **Lad ikke elværktøjet køre, mens du bærer det ved din side.** Ved kontakt med det roterende tilbehør kan der blive trukket i klæder, så tilbehøret føres ind mod kroppen.

- ◆ **Rengør regelmæssigt elværktøjets ventilationsåbninger.** Motorens ventilator suger støv ind i huset, og for stor ophobning af metalstøv kan forårsage elektriske faresituationer.
- ◆ **Brug ikke elværktøjet i nærheden af brændbare materialer.** Gnister kan antænde disse materialer.
- ◆ **Anvend ikke tilbehør, der kræver flydende kølemiddel.** Anvendelse af vand eller andre flydende kølemidler kan forårsage elektrisk stød.

Bemærk: Ovenstående advarsel gælder ikke for elværktøj, der specifikt er designet til anvendelse med et kølevæske-system.

Tilbageslag og relaterede advarsler

Tilbageslag er en pludselig reaktion på et roterende hjul, en underpude, en børste eller et andet tilbehør, der er klemt eller blokeret. Fastklemning eller blokering forårsager hurtig bremsning af det roterende tilbehør, som derefter tvinger det ukontrollerede elværktøj i modsat retning af tilbehørets rotation ved det pågældende punkt.

Hvis f.eks. et slibehjul blokeres eller klemmes fast af arbejdssemnet, kan kanten af det hjul, der griber ind i klemmepunktet, bore sig ind i materialets overflade og medføre, at hjulet arbejder sig eller skubbes ud. Hjulet kan enten springe imod eller væk fra brugeren, afhængigt af retningen af hjulets bevægelse ved klemmepunktet. Slibehjul kan også gå itu under disse betingelser.

Et tilbageslag opstår som følge af forkert brug eller misbrug af elværktøjet. Det kan undgås ved at tage nedenstående forholdsregler.

- ◆ **Hold godt fast om elværktøjet, og placer kroppen og armen, så du kan modstå tilbageslagskraften. Brug altid det ekstra håndtag, hvis det findes, for at få maksimal kontrol over tilbageslag eller momentreaktion under opstart.** Brugeren kan kontrollere momentreaktioner eller tilbageslagskræfter, hvis der træffes de nødvendige forholdsregler.
- ◆ **Anbring aldrig hånden nær det roterende tilbehør.** Tilbehør kan slå tilbage på hånden.
- ◆ **Placer ikke kroppen i området, hvor elværktøjet bevæger sig hen, hvis der opstår tilbageslag.** Tilbageslag fører værktøjet i modsat retning af hjulets bevægelse ved blokeringspunktet.
- ◆ **Vær særlig opmærksom ved arbejde på hjørner, skarpe kanter osv. Undgå at tilbehøret hopper eller blokeres.** Hjørner, skarpe kanter eller hoppen har en tilbøjelighed til at blokere det roterende tilbehør og forårsage tab af kontrol eller tilbageslag.
- ◆ **Monter ikke en savkæde med udskæringsklinge eller tandsavklinge.** Sådanne klinger skaber hyppige tilbageslag og tab af kontrol.

Sikkerhedsadvarsler, som er specifikke for slibning og afskæring ved slibning

- ◆ **Anvend kun hjul typer, der er anbefalet til dit elværktøj og den specifikke afskærmning, som er designet til det valgte hjul.** Hjul, som elværktøjet ikke er beregnet til, kan ikke afskærmes korrekt og er ikke sikre.
- ◆ **Afskærmningen skal fastgøres sikkert til elværktøjet og placeres, så mindst muligt af hjulet blottægges mod brugeren for at opnå maksimal sikkerhed.** Afskærmningen hjælper med at beskytte brugeren mod ituslåede hjulfragmenter og utilsigtet kontakt med hjulet.
- ◆ **Hjul må kun benyttes til anbefalede anvendelser. For eksempel: Slib ikke med siden af afskæringshjulet.** Slibehjul til afskæring er beregnet til ydre slibning, og kraft fra siden på disse hjul kan få dem til at splintre.
- ◆ **Brug altid ubeskadigede hjulflanger, der har korrekt størrelse og form til det valgte hjul.** Korrekte hjulflanger støtter hjulet og reducerer derved muligheden for hjuldefekt. Flanger til afskæringshjul kan være forskellige fra hjulflanger til slibning.
- ◆ **Brug ikke slidte hjul fra større elværktøjer.** Hjul, der er beregnet til større elværktøjer, passer ikke til mindre værktøjers større hastighed og kan springe i stykker.

Yderligere sikkerhedsadvarsler, som er specifikke for afskæring ved slibning

- ◆ **Bloker ikke afskæringshjulet, og tryk ikke for kraftigt. Forsøg ikke at skære for dybt.** For stor belastning på hjulet øger sandsynligheden for at det vrides eller sætter sig fast i snittet eller muligheden for tilbageslag eller hjuldefekt.
- ◆ **Placer ikke kroppen på linje med eller bag det roterende hjul.** Når hjulet fra arbejdspunktet bevæger sig væk fra din krop, kan det mulige tilbageslag sætte gang i drejende hjul og elværktøjet i din retning.
- ◆ **Sluk for elværktøjet, og hold det stille, indtil hjulet er helt stoppet, hvis hjulet sætter sig fast, eller hvis et snit afbrydes. Forsøg aldrig at fjerne afskæringshjulet fra snittet, mens hjulet er i bevægelse, da der kan forekomme tilbageslag.** Undersøg årsagen, og træf de fornødne forholdsregler for at forhindre, at hjulet sætter sig fast.
- ◆ **Genstart ikke snittet i arbejdssemnet. Lad hjulet nå fuld hastighed, og indfør det forsigtigt i snittet igen.** Hjulet kan sætte sig fast, arbejde sig op, eller der kan opstå et tilbageslag, hvis elværktøjet genstartes i arbejdssemnet.
- ◆ **Understøt plader eller store arbejdssemner for at minimere risikoen for, at hjulet klemmes fast, og der opstår et tilbageslag.** Større arbejdssemner har en tendens til at bøje pga. deres vægt. Understøttelsen skal anbringes under arbejdssemnet i nærheden af skærestedet og arbejdssemnets kant på begge sider af hjulet.

- ◆ Vær især forsigtig, hvis der foretages et indstik i eksisterende vægge eller andre steder, hvor du ikke kan se, hvad du skærer i. Det fremspringende hjul kan skære gas- eller vandrør, elkabler eller objekter, der kan forårsage tilbageslag.

Sikkerhedsadvarsler, som er specifikke for pudsn- ing

- ◆ Brug ikke for store pudseskiver. Følg producentens anbefalinger ved valg af pudsepapir. Større stykker pudsepapir, der går ud over pudsepuden, udgør en flængefare og kan forårsage hoppen, flænsning af skiven eller tilbageslag.

Sikkerhedsadvarsler, som er specifikke for polering

- ◆ Løse dele af poleringshætten eller dens fastgørelsesnøre må ikke kunne rotere frit. Fjern eventuelle løse fastgørelsesnøre. Løse og flagrende fastgørelsesnøre kan gribe fat i dine fingre eller trække i arbejdsemnet.

Sikkerhedsadvarsler, som er specifikke for stål- børstning

- ◆ Vær opmærksom på, at ståltråde slynges ud af børsten selv under almindelig funktion. Overbelast ikke trådene ved at påføre børsten for stort tryk. Ståltrådene kan let gennemtrænge let beklædning og/eller hud.
- ◆ Hvis der anbefales afskærmning til stålborstning, må tråd hjulet eller -børsten og afskærmningen ikke kunne forstyrre hinanden. Tråd hjulet eller -børste må udvide sig i diameter pga. arbejdsbelastning eller centrifugalkræfter.

Andres sikkerhed

- ◆ Dette apparat må ikke bruges af personer (herunder børn) med nedsatte fysiske, sensoriske eller mentale evner eller manglende erfaring og viden, med mindre det sker under overvågning, eller der gives instruktion i brugen af apparatet af en person, der er ansvarlig for deres sikkerhed.
- ◆ Børn skal holdes under opsyn, så det sikres, at de ikke leger med værktøjet.

Restrisici.

Der kan opstå yderligere restrisici under brugen af værktøjet, som ikke kan medtages i vedlagte sikkerhedsadvarsler. Disse restrisici kan opstå pga. forkert anvendelse, langvarig brug etc. Selv ved overholdelse af relevante sikkerhedsforskrifter og anvendelse af sikkerhedsudstyr kan visse restrisici ikke undgås. Disse omfatter:

- ◆ Tilskadekomst forårsaget af berøring af roterende/ bevægelige dele.
- ◆ Tilskadekomst forårsaget af udskiftning af dele, blade eller tilbehør.

- ◆ Tilskadekomst forårsaget af langvarig brug af et værktøj. Husk at holde pause jævnligt ved brug af et værktøj i længere tid.
- ◆ Høreskader.
- ◆ Sundhedsrisici forårsaget af indånding af støv, der genereres ved brug af værktøjet (eksempel: Arbejde med træ, især, eg, bøg og MDF).

Vibration

De angivne værdier for udsendelse af vibration opført under de tekniske data og overensstemmelseserklæringen er målt i henhold til standardtestmetoden anført i EN 60745 og kan bruges til at sammenligne ét værktøj med et andet. Den angivne værdi for udsendelse af vibration kan også bruges som en foreløbig vurdering af eksponeringen.

Advarsel! Værdien for udsendelse af vibration ved faktisk brug af elværktøjet kan afvige fra den angivne værdi afhængig af måden, værktøjet anvendes på. Vibrationsniveauet kan overstige det angivne niveau.

I vurderingen af eksponeringen for vibration med henblik på fastsættelse af sikkerhedsforanstaltninger som krævet i 2002/44/EF til beskyttelse af personer, der jævnligt anvender elværktøj i deres arbejde, skal der tages hensyn til de faktiske betingelser under brugen, og måden værktøjet bruges på, herunder alle arbejdsrytters elementer, f.eks. perioder, hvor værktøjet er slukket og kører i tomgang tillige med startperioderne.

Mærkater på værktøjet

Følgende symboler er anbragt på værktøjet:



Advarsel! Brugeren skal læse brugervejledningen for at reducere risikoen for tilskadekomst.



Bær beskyttelses- eller sikkerhedsbriller, når du bruger dette værktøj.



Bær høreværn, når du bruger dette værktøj.

Elektricitet og sikkerhed



Denne maskine er dobbelt isoleret. Derfor er jordledning ikke nødvendig. Kontroller altid, at strømforsyningen svarer til spændingen på typeskiltet.

- ◆ Hvis netledningen beskadiges, skal den udskiftes af producenten eller et autoriseret Stanley Fat Max-værksted, så farlige situationer undgås.

Komponenter

Dette værktøj leveres med nogle af eller alle de følgende komponenter.

1. Afbryderkontakt
2. Sidehåndtag
3. Spindellås
4. Slibeafskærmning

Samling

Advarsel! Kontroller før montering, at værktøjet er slukket, og at stikket er taget ud af stikkontakten.

Montering og afmontering af afskærmningen (fig. A)

Med værktøjet følger et skjold, der kun er beregnet til slibeopgaver og skæreopgaver. Kontroller, at du bruger den rigtige afskærmning, der passer til den påtænkte opgave. Hvis apparatet skal bruges til skærearbejde, skal der monteres en særligt skærm til denne type arbejde (17, Fig F).

Påsætning

- ◆ Anbring værktøjet på et bord med spindlen (5) opad.
- ◆ Lås fastgørelseslåsen (7) op, og hold afskærmningen (4) over værktøjet som vist.
- ◆ Ret monteringsstederne (8) ind efter hakkene (9).
- ◆ Tryk afskærmningen ned, og drej den mod uret til den ønskede position.
- ◆ Lås fastgørelseslåsen (7) for at fastgøre afskærmningen på værktøjet.
- ◆ Spænd om nødvendigt skruen (6) for at øge tilspændingskraften.

Aftagning

- ◆ Lås fastgørelseslåsen (7) op.
- ◆ Roter afskærmningen med uret for at rette monteringsstederne (8) ind efter hakkene (9).
- ◆ Tag afskærmningen af værktøjet.

Advarsel! Brug aldrig værktøjet uden monteret afskærmning.

Montering af sidehåndtaget

- ◆ Skru sidehåndtaget (2) ind i et af værktøjets monteringshuller.

Advarsel! Brug altid sidehåndtaget.

Påsætning og aftagning af slibe- eller skæreskiver (fig. B-D)

Brug altid den rette type skive til opgaven. Brug altid skiver med korrekt diameter og hulstørrelse (se tekniske data).

Påsætning

- ◆ Sæt afskærmningen på som beskrevet ovenfor.

- ◆ Placer den indvendige flange (10) på spindlen (5) som vist (fig. B). Sørg for, at flangen er placeret korrekt på spindlens flade sider.
- ◆ Placer skiven (11) på spindlen (5) som vist (fig. B). Hvis skiven har forhøjet midte (12), skal du sikre, at den forhøjede midte vender mod den indvendige flange.
- ◆ Sørg for, at skiverne placeres korrekt på den indvendige flange.
- ◆ Placer den udvendige flange (13) på spindlen. Ved påsætning af en slibe- eller skæreskive skal den forhøjede midte på den udvendige flange vende mod skiven (A i fig. C). Ved påsætning af en skæreskive skal den forhøjede midte på den udvendige flange vende væk fra skiven (B i fig. C).
- ◆ Hold spindellåsen (3) trykket ned, og spænd den udvendige flange vha. skruenøglen (14) (fig. D).

Aftagning

- ◆ Hold spindellåsen (3) trykket ned, og løsn den udvendige flange (13) vha. skruenøglen (14) (fig. D).
- ◆ Fjern den udvendige flange (13) og skiven (11).

Påsætning og aftagning af skiver (fig. D og E)

Til pudsning kræves en underpude. Underpuden fås hos din Stanley Fat Max-forhandler som tilbehør.

Påsætning

- ◆ Placer den indvendige flange (10) på spindlen (5) som vist (fig. E). Sørg for, at flangen er placeret korrekt på spindlens flade sider.
- ◆ Placer underpuden (15) på spindlen.
- ◆ Placer pudseskiven (16) på underpuden.
- ◆ Placer den udvendige flange (13) på spindlen med den forhøjede midte væk fra skiven.
- ◆ Hold spindellåsen (3) trykket ned, og spænd den udvendige flange vha. skruenøglen (14) (fig. D). Sørg for, at den udvendige flange er placeret korrekt, og at skiven er solidt fastgjort.

Aftagning

- ◆ Hold spindellåsen (3) trykket ned, og løsn den udvendige flange (13) vha. skruenøglen (14) (fig. D).
- ◆ Fjern den udvendige flange (13), pudseskiven (16) og underpuden (15).

Anvendelse

Advarsel! Lad værktøjet arbejde i dets eget tempo. Det må ikke overbelastes.

- ◆ Styr omhyggeligt ledningen, så du ikke klipper den over ved et uheld.
- ◆ Vær forberedt på en strøm af gnister, når slibe- eller skæreskiven berører arbejdsområdet.

- ◆ Placer altid værktøjet på en sådan måde, at afskærmningen giver optimal beskyttelse mod slibe- eller skære-skiven.

Tænd og sluk

- ◆ Tænd ved at skubbe tænd/sluk-kontakten (1) fremad og derefter trykke den ind. Bemærk, at værktøjet vil fortsætte med at køre, når du slipper kontakten.
- ◆ Sluk ved at trykke på den bageste del af tænd/sluk-kontakten.

Advarsel! Sluk ikke værktøjet, mens det er under belastning.

Gode råd til optimal brug

- ◆ Hold godt fast i værktøjet med den ene hånd omkring sidehåndtaget og den anden hånd omkring hovedhåndtaget.
- ◆ Ved slibning opretholdes altid en vinkel på ca. 15° mellem skiven og arbejdsemnets overflade.

Vedligeholdelse

Dit Stanley Fat Max-apparat/værktøj med eller uden ledning er beregnet til brug gennem lang tid med et minimum af vedligeholdelse. Forsat tilfredsstillende drift afhænger af korrekt behandling af værktøjet samt regelmæssig rengøring.

Advarsel! Før udførelse af nogen form for vedligeholdelse på elværktøj med/uden ledning:

- ◆ Sluk, og tag apparatets/værktøjets stik ud af stikkontakten.
- ◆ Eller sluk og fjern batteriet fra apparatet/værktøjet, hvis det har en separat batteripakke.
- ◆ Eller aflad batteriet helt, hvis det er indbygget, og sluk derefter.
- ◆ Træk laderen ud af stikkontakten, før den rengøres. Laderen kræver ingen vedligeholdelse, men skal rengøres jævnligt.
- ◆ Rengør jævnligt apparatets/værktøjets/laderens ventilationshuller med en blød børste eller en tør klud.
- ◆ Rengør med jævne mellemrum motorhuset med en fugtig klud. Der må ikke bruges skuremidler eller opløsningsmidler.
- ◆ Åbn jævnligt patronen, og bank på den for at fjerne indvendigt støv (hvis monteret).

Udskiftning af stik (kun Storbritannien og Irland)

Sådan monteres et nyt stik:

- ◆ Det gamle stik skal bortskaffes på en sikker måde.
- ◆ Slut den brune ledning til den strømførende klemme på det nye stik.
- ◆ Slut den blå ledning til den neutrale klemme.

Advarsel! Der skal ikke foretages nogen tilslutning til jordklemmen. Følg de monteringsanvisninger, der leveres sammen med kvalitetsstik. Anbefalet sikring: 13 A.

Miljøbeskyttelse



Separat bortskaffelse. Dette produkt må ikke bortskaffes sammen med almindeligt husholdningsaffald.

Når dit Stanley Fat Max-produkt en dag er udtjent, eller du ikke længere har brug for det, må du ikke smide det ud sammen med det almindelige affald. Produktet skal bortskaffes separat.



Ved separat bortskaffelse af brugte produkter og emballage bliver der mulighed for at genanvende forskellige materialer.

Genanvendelse af materialer medvirker til at forebygge miljøforurening og mindsker behovet for råstoffer.

Lokal lovgivning kan kræve separat indsamling af elektriske husholdningsapparater på kommunale affaldsdepoter eller af den detailhandelende ved køb af et nyt produkt.

Stanley Europe sørger for at indsamle og genanvende Stanley Fat Max-produkter, når disse ikke længere kan bruges. Hvis du vil benytte dig af denne service, skal du returnere produktet til et autoriseret værksted, der indsamler produkterne for os.

Kontakt det lokale Stanley Europe-kontor på den adresse, der er opgivet i denne vejledning, for at få oplysninger om nærmeste autoriserede værksted. En liste over alle autoriserede Stanley Europe-serviceværksteder samt servicevilkår og kontaktpersoner er tilgængelig på internettet på adressen: www.2helpU.com

Tekniske data

		FME811 (Type 1)	FME812 (Type 1)
Indgangsspænding	V _{ac}	230	230
Motoreffekt	W	850	850
Hastighed uden belastning	min ⁻¹	12,000	12,000
Skivediameter	mm	115	125
Skivehul	mm	22	22
Maks. skivetykkelse			
slibeskiver	mm	6	6
skæreskiver	mm	3.5	3.5
Spindelstørrelse		M14	M14
Vægt	kg	2.1	2.1

L _{PA} (lydtryk) 94.5 dB(A), usikkerhed (K) 3 dB(A)
L _{WA} (lydeffekt) 105.5 dB(A), usikkerhed (K) 3 dB(A)
Samlede værdier for vibration (triaksial vektorsum) i henhold til EN 60745:
Overfladeslibning (a _{h,SG}) 9.9 m/s ² , usikkerhed (K) 1.5 m/s ²
Afskæring (a _h) 9.1 m/s ² , usikkerhed (K) 1.5 m/s ²
Polering (a _{h,P}) 5.0 m/s ² , usikkerhed (K) 1.5 m/s ²
Skivepudsning (a _{h,DG}) 3.3 m/s ² , usikkerhed (K) 1.5 m/s ²
Stålbørstning (a _h) 9.2 m/s ² , usikkerhed (K) 1.5 m/s ²

EU-overensstemmelseserklæring

MASKINDIREKTIV



FME811 / FME812

Stanley Europe erklærer, at produkterne beskrevet under "Tekniske data" er i overensstemmelse med: 2006/42/EF, EN 60745-1, EN 60745-2-3

Disse produkter er endvidere i overensstemmelse med direktiv 2004/108/EF og 2011/65/EU. Kontakt Stanley Europe på nedenstående adresse, eller se vejledningens bagside for at få flere oplysninger.

Undertegnede er ansvarlig for udarbejdelsen af de tekniske data og fremsætter denne erklæring på vegne af Stanley Europe.

Kevin Hewitt
Vice-President Global Engineering
Stanley Europe, Egide Walschaertsstraat14-18,
2800 Mechelen, Belgien
19/04/2013

Garanti

Stanley Europe garanterer, at produktet er fri for skader og fejl og tilbyder en fremragende garanti for erhvervmæssige brugere af produktet. Garantien er et tillæg til forbrugers kontraktmæssige rettigheder og påvirker ikke disse som en privat ikke-erhvervmæssig bruger. Garantien gælder inden for medlemsstaterne af den Europæiske Union og i det Europæiske Frihandelsområde.

ET ÅRS FULD GARANTI

Hvis dit Stanley Fat Max-produkt går i stykker på grund af materiel skade eller fabrikationsfejl inden for 12 måneder fra købsdatoen, påtager Stanley Europe sig gratis at udskifte alle defekte dele eller efter vores skøn gratis at udskifte enheden forudsat at:

- ◆ Produktet ikke har været anvendt forkert og har været anvendt i overensstemmelse med brugervejledningen.
- ◆ Produktet ikke har været udsat for andet end almindelig slitage;
- ◆ Reparationer ikke er udført af uautoriserede personer;
- ◆ Købsbeviset kan fremvises.
- ◆ Hele Stanley Fat Max-produktet returneres med alle originale komponenter

Hvis du ønsker erstatning for skade, skal du kontakte forhandleren eller det nærmeste autoriserede Stanley Fat Max-værksted i Stanley Fat Max-kataloget eller kontakte dit lokale Stanley-kontor på den adresse, der er opgivet i denne vejledning. Der findes en liste over alle autoriserede Stanley Fat Max-serviceværksteder samt servicevilkår på følgende internetadresse: www.stanley.eu/3

Käyttötarkoitus

Stanley Fat Max -kulmahiomakone on tarkoitettu metallin ja betonin hiomiseen ja leikkaamiseen sopivaa leikkausterää tai hiomalaikkaa käyttäen. Jos laite on varustettu asianmukaisella vartijalla, tämä työkalu on tarkoitettu ammattikäyttöön ja yksityiseen, ei ammattikäyttäjille.

Turvallisuusohjeet

Sähkötyökalujen yleiset turvavaroitukset



Varoitus! Lue kaikki turvavaroitukset ja ohjeet.

Alla olevien varoitusten ja ohjeiden noudattamisen laiminlyönti saattaa johtaa sähköiskuun, tulipaloon ja/tai vakavaan loukkaantumiseen.

Säästä kaikki varoitukset ja ohjeet tulevaa käyttöä varten.

Ohjeissa käytetty käsite "sähkötyökalu" tarkoittaa verkkokäyttöisiä sähkötyökaluja (verkkojohdolla varustettuja) ja akkukäyttöisiä sähkötyökaluja (ilman verkkojohtoa).

1. Työalueen turvallisuus

- Pidä työalue puhtaana ja hyvin valaistuna.** Työpaikan epäjärjestys tai valaisemattomat työalueet voivat johtaa tapaturmiin.
- Älä käytä sähkötyökalua räjähdysalttiissa ympäristössä, jossa on palavaa nestettä, kaasua tai pölyä.** Sähkötyökalu saa aikaan kipinöitä, jotka saattavat sytyttää pölyn tai höyryt.
- Pidä lapset ja sivulliset loitolla sähkötyökalua käyttäessäsi.** Voit menettää laitteen hallinnan, jos huomiosi suuntautuu muualle.

2. Sähköturvallisuus

- Sähkötyökalun pistokkeen on sovitava pistorasiaan.** Pistoketta ei saa muuttaa millään tavalla. Älä käytä mitään pistorasiasovittimia maadoitettujen sähkötyökalujen kanssa. Alkuperäiset pistokkeet ja niille sopivat pistorasiat vähentävät sähköiskun vaaraa.
- Vältä koskettamasta maadoitettuja pintoja, kuten putkia, pattereita, liesiä tai jääkaappeja.** Sähköiskun vaara kasvaa, jos kehosi on maadoitettu.
- Älä altista sähkötyökalua sateelle tai kosteudelle.** Veden tunkeutuminen sähkötyökalun sisään lisää sähköiskun riskiä.
- Älä käsittele virtajohtoa kovakouraisesti. Älä käytä sitä sähkötyökalun kantamiseen, vetämiseen tai pistokkeen irrottamiseen pistorasiasta. Pidä johto loitolla kuumuudesta, öljystä, terävistä reunoista ja liikkuvista osista.** Vahingoittuneet tai sotkeutuneet johdot lisäävät sähköiskun vaaraa.

- Käyttäessäsi sähkötyökalua ulkona käytä ainoastaan ulkokäyttöön soveltuvaa jatkojohtoa.** Ulkokäyttöön soveltuvan jatkojohdon käyttö pienentää sähköiskun vaaraa.
- Jos sähkötyökalua on välttämättä käytettävä kosteassa paikassa, käytä jännösvirtalaitteella (RCD) suojattua virtälähdettä.** Jännösvirtalaitteen käyttö vähentää sähköiskun vaaraa.

3. Henkilöturvallisuus

- Keskity työskentelyysi ja noudata tervettä järkeä käyttäessäsi sähkötyökaluja. Älä käytä sähkötyökalua, jos olet väsynyt tai huumeiden, alkoholin tai lääkkeiden vaikutuksen alaisena.** Hetken tarkkaamattomuus sähkötyökalua käytettäessä saattaa johtaa vakavaan loukkaantumiseen.
 - Käytä henkilökohtaisia suojarusteita. Käytä aina suojalaseja.** Suojarusteet, kuten hengityssuojain, luistamattomat turvajalkineet, kypärä ja kuulosuojaimet, pienentävät loukkaantumisriskiä, jos niitä käytetään tilanteen mukaan oikein.
 - Vältä tahatonta käynnistämistä. Varmista, että kytkin on OFF-asennossa, ennen kuin liität laitteen virtalähteeseen ja/tai akkuun, nosta laitteen tai kannat sitä.** Onnettomuusvaara lisääntyy, jos kannat sähkötyökalua somi käyttökylkimellä tai kytket työkalun virtajohton pistorasiaan, kun käyttökyltkin on päällä.
 - Irrota mahdollinen säätö- tai kiintoavain, ennen kuin käynnistät sahan.** Sahan pyörivään osaan kiinni jäänyt avain voi johtaa loukkaantumiseen.
 - Älä kurkota liian kauas. Seiso aina tukevasti ja tasapainossa.** Tällöin voit paremmin hallita sähkötyökalua yllättävissä tilanteissa.
 - Käytä tarkoitukseen soveltuvia vaatteita. Älä käytä löysiä työvaatteita tai koruja. Pidä hiukset, vaatteet ja käsineet loitolla liikkuvista osista.** Väljät vaatteet, korut ja pitkät hiukset voivat takertua liikkuviin osiin.
 - Jos laitteeseen voi kiinnittää pölynkerääjän tai -imurin, tarkista, että se on paikallaan ja että se toimii kunnolla.** Pölynimurin käyttö voi vähentää pölyn aiheuttamia vaaroja.
- #### 4. Sähkötyökalujen käyttö ja hoito
- Älä ylikuormita sähkötyökalua. Käytä kyseiseen työhön tarkoitettua sähkötyökalua.** Sopivaa sähkötyökalua käyttäen työskentelet paremmin ja turvallisemmin tehoalueella, jolle sähkötyökalu on tarkoitettu.
 - Älä käytä sähkötyökalua, jota ei voida käynnistää ja pysäyttää virtakytkimestä.** Jos sähkötyökalua ei voi käynnistää ja pysäyttää virtakytkimellä, se on vaarallinen ja se täytyy korjata.

- c. **Irrota pistotulppa pistorasiasta ja/tai akku laitteesta, ennen kuin suoritat säätöjä, vaihdat tarvikkeita tai siirät sähkötyökalun varustoitavaksi.** Nämä turvatoimenpiteet pienentävät sähkötyökalun tahattoman käynnistämisen riskiä.
- d. **Säilytä sähkötyökalut poissa lasten ulottuvilta, kun niitä ei käytetä. Älä anna sähkötyökalua sellaisen henkilön käyttöön, joka ei tunne sitä tai joka ei ole tutustunut tähän käyttöohjeeseen.** Sähkötyökalut ovat vaarallisia kokemattoman käyttäjän käsissä.
- e. **Hoida sähkötyökalusi huolella. Tarkista, että liikkuvat osat toimivat moitteettomasti ja etteivät ne ole puristuksessa. Tarkista myös, ettei työkalussa ei ole murtuneita tai vahingoittuneita osia, jotka saattaisivat vaikuttaa haitallisesti sen toimintaan. Korjauta mahdolliset viat ennen käyttöönottoa.** Moni tapaturma aiheutuu huonosti huolletuista laitteista.
- f. **Pidä leikkausterät terävinä ja puhtaina.** Huolellisesti hoidetut leikkausterät, joiden leikkausreunat ovat teräviä, eivät tartu helposti kiinni, ja niitä on helpompi hallita.
- g. **Käytä sähkötyökaluja, tarvikkeita, vaihtotyökaluja jne. näiden ohjeiden mukaisesti. Ota tällöin huomioon työolosuhteet ja suoritettava toimenpide.** Sähkötyökalun käyttö muuhun kuin sille määrättyyn käyttöön saattaa johtaa vaarallisiin tilanteisiin.

5. Huolto

- a. **Korjauta sähkötyökalu koulutetulla ja ammattitaitoisella henkilöllä ja hyväksy korjauksiin vain alkuperäisiä varaosia.** Siten varmistat, että sähkötyökalu säilyy turvallisena.

Sähkötyökalujen lisäturvavaroitukset



Varoitus! Lisäturvavaroitukset hiontaan, lankaharjaukseen, kiillotukseen ja laikkakatkaaisuun

- ◆ **Tämä sähkötyökalu on tarkoitettu hiontaan, lankaharjaukseen, kiillotukseen ja laikkakatkaaisuun. Tutustu kaikkiin tämän sähkötyökalun mukana toimitettuihin varoituksiin, ohjeisiin, kuviin ja määrityksiin.** Alla olevien ohjeiden noudattamisen laiminlyönti saattaa johtaa sähköiskuun, tulipaloon ja/tai vakavaan loukkaantumiseen.
- ◆ **Älä käytä tätä sähkötyökalua muuhun tarkoitukseen, kuin mihin se on suunniteltu, sillä se voi johtaa vammautumiseen.**
- ◆ **Älä käytä lisävarusteita, joita ei ole suunniteltu ja joita valmistaja ei suosittele juuri tälle työkalulle.** Vaikka lisävarusteen voisikin kiinnittää tähän sähkötyökaluun, se ei takaa turvallista käyttöä.

- ◆ **Lisävarusteen nimellisa nopeuden tulee olla vähintään sama kuin työkaluun merkitty maksimisa nopeus.** Lisävaruste, jota käytetään nimellisa nopeuttaan kovemmalla nopeudella, voi rikkoutua ja irrota.
- ◆ **Lisävarusteen ulkohalkaisijan ja paksuuden tulee olla tämän sähkötyökalun nimellisa kapasiteetin rajoissa.** Väärän kokoisia lisävarusteita ei voi suojata tai hallita vaaditulla tavalla.
- ◆ **Laikkojen, laippojen, tukilaippojen ja muiden lisävarusteiden tuurnan tulee olla juuri sopivan kokoinen sähkötyökalun kiinnityskaraan.** Lisävarusteet, joiden tuurna ei ole saman kokoinen kuin sähkötyökalun kiinnityskohta, toimivat epätasapainossa ja värähtelevät liikaa, mikä voi johtaa hallinnan menettämiseen.
- ◆ **Älä käytä vahingoittuneita lisävarusteita.** Ennen jokaisesta käyttökertaa tarkasta lisävarusteet, kuten hiomalaikat lohkeamien ja halkeamien varalta, tukilaippa halkeamien, repeämien ja liiallisen kulumisen varalta, ja lankaharja irrallisten tai haljenneiden lankojen varalta. Jos sähkötyökalu tai lisävaruste putoaa, tarkasta lisävaruste vahinkojen varalta tai asenna vahingoittumaton lisävaruste. Kun lisävaruste on tarkastettu ja asennettu, käytä sähkötyökalua suurimmalla mahdollisella kuormittamattomalla nopeudella yhden minuutin ajan. Tavallisesti vahingoittuneet lisävarusteet hajaavat tämän testin aikana.
- ◆ **Käytä henkilösuojaimia.** Käyttötavasta riippuen käytä kasvosuojainta, suojalaseja tai turvalaseja. Käytä hengityssuojainta, kuulosuojaimia, käsineitä ja verstonesiliinaa, joka pystyy pysäyttämään pienet hionta- ja työstökappaleen palaset. Silmäsuojuksen tulee pystyä pysäyttämään eri toiminnoista syntyvät lentävät roskat. Hengityssuojaimen tulee pystyä suodattamaan työssä syntyvät hiukkaset. Pitkittynyt altistuminen voimakkaalle melulle voi aiheuttaa kuulonaleman.
- ◆ **Pidä sivustakatsojat turvallisen matkan päässä työskentelyalueesta.** Jokaisen työalueelle tulevan henkilön täytyy käyttää henkilösuojaimia. Työstökappaleen tai rikkoutuneen lisävarusteen palasia voi lentää ja ne voivat aiheuttaa vammoja myös välittömän työskentelyalueen ulkopuolella.
- ◆ **Pitele sähkötyökalua vain eristetyistä tartuntapinnoista tehdessäsi työtä, jossa laikka voi joutua kosketuksiin piilossa olevien sähköjohtojen tai oman virtajohtonsa kanssa.** Laikan kosketus jännitteisen johdon kanssa voi tehdä sähkötyökalun paljaista metallisosista jännitteisiä ja aiheuttaa käyttäjälleen sähköiskun.
- ◆ **Aseta johto niin, ettei se kosketa pyörivää laikkaa.** Jos menetät työkalun hallinnan, johto voi katketa tai tarttua kiinni ja kätesi tai käsivartesi voi joutua vedetyksi pyörivään laikkaan.

- ♦ **Älä koskaan laske sähkötyökalua alas, ennen kuin laikka on kokonaan pysähtynyt.** Pyörivä laikka voi tarttua pintaan kiinni ja voit menettää sähkötyökalun hallinnan.
- ♦ **Älä käytä työkalua siten, että annat sitä sivullisi.** Vaatetuksesi voi vahingossa koskettaa pyörivää laikkaa, tarttua kiinni ja vetää laikan kiinni kehoosi.
- ♦ **Puhdista työkalun ilma-aukot säännöllisesti.** Moottorin tuuletin imee pölyä kotelon sisään ja metallijauheen liiallinen kertyminen voi aiheuttaa sähköstä johtuvia vaaratilanteita.
- ♦ **Älä käytä työkalua helposti syttyvien materiaalien läheisyydessä.** Kipinät saattavat sytyttää nämä materiaalit.
- ♦ **Älä käytä laikkoja, jotka vaativat nestemäisiä jäähdytysaineita.** Veden tai muiden nestemäisten jäähdytysaineiden käyttö saattaa johtaa tappavaan tai muuhun sähköiskuun.

Huomautus: Yllä oleva varoitus ei koske sähkötyökaluja, jotka on erityisesti tarkoitettu nestejärjestelmien käyttöön.

Takapotku ja siihen liittyvät varoitukset

Takapotku on puristuneen tai kiinni tarttuneen pyörivän laikan, tukilaipan, harjan tai muun lisävarusteen äkillinen reaktio. Puristuminen tai tarttuminen aiheuttaa pyörivän lisävarusteen äkillisen pysähtymisen, joka puolestaan aiheuttaa hallitsemattoman työkalun liikkeen lisävarusteen pyörimissuuntaa vastaan tarttumiskohdassa.

Esimerkiksi jos hiomalaikka puristuu tai tarttuu työstökappaleeseen, tarttumakohdtaa lähestyvä laikan reuna voi upota materiaalin pintaan aiheuttaen laikan ylösnousun tai takapotkun. Laikka voi joko hypätä käyttäjää kohti tai hänestä pois päin, riippuen laikan liikkeen suunnasta tarttumiskohdassa. Hiomalaikka voi myös rikkoutua näissä olosuhteissa.

Takapotku johtuu sähkötyökalun vääränlaisesta käytöstä ja/ tai vääristä työmenetelmistä tai -olosuhteista ja sen voi välttää noudattamalla alla kuvattuja varotoimia.

- ♦ **Pidä luja ote sähkötyökalusta ja aseta vartaloasi ja käsivartesi siten, että voit torjua takaiskun voiman.** Käytä aina apukahvaa, jos sellainen on saatavilla, jotta voisit hallita takapotkua tai käynnistyksen aikaisista vääntöreaktioita. Käyttäjä voi hallita vääntöreaktioita tai takapotkujen voimaa, jos esitetyistä varotoimenpiteistä huolehditaan.
- ♦ **Älä koskaan laita kättäsi pyörivän laikan lähelle.** Laikka voi tehdä takapotkun kätesi yli.
- ♦ **Älä aseta vartaloasi alueelle, jonne työkalu liikkuu takapotkun voimasta.** Takapotku heittää työkalun laikan liikesuuntaan nähden vastakkaiseen suuntaan tarttumiskohdassa.

- ♦ **Ole erityisen varovainen työstäessäsi kulmia, teräviä reunoja jne. Vältä laikan kimpoamista ja tarttumista.** Kulmilla, terävillä reunoilla ja kimpoamisella on taipumus jumittaa pyörivä laikka ja aiheuttaa hallinnan menetys tai takapotku.
- ♦ **Älä kiinnitä moottorisahan puunkaiverrusterää tai hammastettua sahanterää työkaluun.** Tällaiset terät aiheuttavat usein takapotkun ja hallinnan menetyksen.

Turvavaroitukset hiontaan ja laikkakatkuun

- ♦ **Käytä ainoastaan tälle sähkötyökalulle suositeltuja laikkatyyppisiä ja valitulle laikalle erityisesti suunniteltua suojusta.** Laikkoja, joita ei ole tarkoitettu tälle työkalulle, ei pysty suojaamaan vaaditulla tavalla, eivätkä ne ole turvallisia.
- ♦ **Kiinnitä suojuus tiukasti työkaluun ja aseta se siten, että se antaa parhaan mahdollisen suojan niin, että mahdollisimman pieni osa laikkaa on paljaana käyttäjään päin.** Suojus suojaa käyttäjää rikkoutuneen laikan palasilta sekä estää koskemasta laikkaan vahingossa.
- ♦ **Käytä laikkaa ainoastaan sille suunniteltuun tarkoitukseen.** Älä esimerkiksi käytä katkaisulaikan reunaan hiontaan. Katkaisulaikka on tarkoitettu ainoastaan kehähiontaan, sillä laikkaan kohdistuvat sivuttaisvoimat voivat aiheuttaa laikan säröytymisen.
- ♦ **Käytä aina ehjiä ja oikean kokoisia ja muotoisia, valitulle laikalle sopivia laippoja.** Oikeanlaiset laipat tukevat laikkaa ja pienentävät siten laikan rikkoutumisriskiä. Katkaisulaikkojen laipat saattavat olla erilaisia kuin hiontalaikkojen laipat.
- ♦ **Älä käytä suurempien sähkötyökalujen kuluneita laikkoja.** Suuremmille työkaluille tarkoitetut laikat eivät sovellu pienemmän työkalun korkeammille nopeuksille, vaan ne voivat murtua.

Lisäturvavaroitukset laikkakatkuun

- ♦ **Älä jumita katkaisulaikkaa äläkä paina sitä liian voimakkaasti.** Älä yritä leikata liian syväälle. Laikan voimakas painaminen kasvattaa kuormitusta ja alistaa vääntymiselle tai laipan jumiumiselle leikkauskohtaan, sekä lisää takapotkun ja laikan rikkoutumisen vaaraa.
- ♦ **Älä aseta vartaloasi suoraan linjaan pyörivään laikkaan nähden äläkä sen taakse.** Kun leikkaava laikka liikkuu pois päin vartalostasi, mahdollinen takapotku voi lennättää pyörivän laikan ja sähkötyökalun suoraan sinua päin.
- ♦ **Kun laikka on jumiumunut tai leikkaaminen jostakin syystä keskeytyy, katkaise työkalusta virta ja pidä sitä paikallaan, kunnes laikka on kokonaan pysähtynyt.** Älä koskaan yritä irrottaa katkaisulaikkaa leikkauskohdasta, kun laikka vielä pyörii, koska se voi aiheuttaa takapotkun. Selvitä laikan jumiumumiseen johtanut syy ja poista se.

- ♦ Älä käynnistä leikkaustoimintoa, kun laikka on kiinni työstökappaleessa. Anna laikan ensin saavuttaa täysi nopeus ja vasta sitten työnnä laikka varovasti takaisin leikkauskohtaan. Laikka voi jumiuutua, nousta ylös tai aiheuttaa takapotkun, jos sähkötyökalu käynnistetään sen ollessa kiinni työstökappaleessa.
- ♦ Tue levyjä tai muita suurikokoisia työstökappaleita minimoidaksesi laikan puristumisen ja takapotkun riskin. Suurilla työstökappaleilla on taipumus painua niiden oman painon vuoksi. Sijoita tuet työstökappaleen alle lähelle leikkauslinjaa sekä työstökappaleen reunojen lähelle laikan molemmin puolin.
- ♦ Ole erityisen varovainen, jos teet taskun valmiiseen seinään tai muuhun tuntemattomaan paikkaan. Esiin työntyvä laikka saattaa leikata kaasu- tai vesiputkia, sähköjohtoja tai esineitä, jotka voivat aiheuttaa takapotkun.

Turvavaroitukset hiontaan

- ♦ Älä käytä liian suuria hiekkapaperilaikkoja. Noudata valmistajan suosituksia hiekkapaperista. Suuret, hiontatyyppin reunojen yli ulottuvat hiekkapaperit aiheuttavat viilymisriskin ja saattavat johtaa jumiumumiseen, laikan repeytymiseen tai takapotkuun.

Turvavaroitukset kiillotukseen

- ♦ Älä anna kiillotustyynyn löysien osien tai sen kiinnitysruujen pyöriä vapaasti. Työnnä irralliset kiinnitysruutut pois. Irralliset ja pyörivät kiinnitysruutut voivat sotkeutua sormiisi tai jumiuutua työstökappaleeseen.

Turvavaroitukset lankaharjaukseen

- ♦ Huomioi, että lankaharjaksia irtoaa harjasta myös normaalin käytön aikana. Älä paina harjaa liian voimakkaasti, ettei yliuormita lankoja. Lankaharjaket saattavat helpostikin mennä vaatteiden ja/tai ihon läpi.
- ♦ Jos lankaharjaukseen suositellaan suojuksen käyttöä, älä anna lankakiekon tai -harjan törmätä suojukseen. Lankakiekon tai -harjan halkaisija voi kasvaa käyttöuormituksesta tai keskikapakoisvoimasta johtuen.

Muiden turvallisuus

- ♦ Tätä laitetta ei ole tarkoitettu sellaisten henkilöiden käyttöön, joilla on fyysisiä tai älyllisiä rajoitteita tai aistirajoitteita, eikä laitteen toimintaan perehtymättömien henkilöiden käyttöön (lapset mukaan luettuina), paitsi valvonnan alaisina tai jos he ovat saaneet laitteen käyttöön liittyvää opastusta heidän turvallisuudestaan vastaavalta henkilöltä.
- ♦ Lapsia on valvottava ja heitä on estettävä leikkimästä laitteella.

Muut riskit.

Myös muut kuin turvavaroituksissa mainitut riskit ovat mahdollisia työkalua käytettäessä. Nämä riskit voivat liittyä muun muassa virheelliseen tai pitkäaikaiseen käyttöön.

Tiettyjä jäännönsriskejä ei voi välttää, vaikka noudatet kaikkia turvamaääräyksiä ja käytät turvalaitteita. Näihin kuuluvat muun muassa

- ♦ pyörivien tai liikkuvien osien koskettamisen aiheuttamat vahingot
- ♦ osia, teriä tai lisävarusteita vaihdettaessa aiheutuneet vahingot
- ♦ työkalun pitkäaikaisen käytön aiheuttamat vahingot Kun käytät työkalua pitkään, varmista, että pidät säännöllisesti taukoja.
- ♦ kuulovauriot
- ♦ työkalua käytettäessä (esimerkiksi puuta, erityisesti tammea, pyökkiä ja MDF-levyjä, käsiteltäessä) syntyneen pölyn sisäänhengityksen aiheuttamat terveysriskit.

Tärinä

Teknisissä tiedoissa ja vaatimustenmukaisuusilmoituksessa ilmoitetut tärinäpäästöarvot on mitattu standardin EN 60745 testausmenetelmän mukaisesti, ja niiden avulla voidaan vertailla työkaluja keskenään. Ilmoitettua tärinäpäästöarvoa voidaan käyttää myös altistumisen alustavaan arviointiin.

Varoitus! Sähkötyökalun käytön aikana mitattu todellinen tärinäpäästöarvo voi poiketa ilmoitetusta tärinäpäästöarvosta työkalun käyttötavan mukaan. Tärinätasoa voi olla ilmoitettua tasoa suurempi.

Kun tärinälle altistumista arvioidaan sen määrittämiseksi, mitä direktiivin 2002/44/EY mukaisia turvatoimenpiteitä vaaditaan sähkötyökaluja säännöllisesti käyttävien henkilöiden suojelemiseksi, tärinälle altistumisen arvioinnissa on otettava huomioon todelliset käyttöolosuhteet ja työkalun käyttötavat. Todellisen käytön lisäksi on kiinnitettävä huomiota myös siihen, milloin työkalu on sammutettuna tai se käy tyhjäkäynnillä.

Laitteessa olevat merkinnät

Työkalussa on seuraavat kuvamerkinnot:



Varoitus! Käyttäjän on luettava käyttöohje vahinkojen välttämiseksi.



Käytä suoja- tai turvalaseja, kun käytät työkalua.



Käytä kuulosuojaimia, kun käytät työkalua.

Sähköturvallisuus



Tämä työkalu on kaksoeristetty, joten erillistä maadoitusta ei tarvita. Tarkista aina, että virtalähde vastaa arvokilvessä ilmoitettua jännitettä.

- ◆ Jos virtajohto vahingoittuu, sen vaihtaminen on turvallisuusyksi jätettävä valmistajan tai valtuutetun Stanley Fat Max -huoltoliikkeen tehtäväksi.

Yleiskuvasu

Tässä työkalussa on joitakin tai kaikki seuraavista ominaisuuksista.

1. Virtakytkin
2. Sivukahva
3. Karalukko
4. Hiomasuoja

Kokoaminen

Varoitus! Varmista ennen kokoamista, että virta on katkaistu ja että virtajohto on irti pistorasiasta.

Suojuksen kiinnittäminen ja irrottaminen (kuva A)

Työkalun mukana toimitetaan suojuus, joka on tarkoitettu hiontaa ja leikkaamista varten. Varmista, että käytät aiottuun käyttötarkoitukseen sopivaa suojaa. Jos laitetta aiotaan käyttää katkaisemiseen, on asennettava hiomista varten tarkoitettu suojuus (17, kuva F).

Kiinnittäminen

- ◆ Aseta työkalu pöydälle kara (5) ylöspäin.
- ◆ Vapauta kiristyslukitsin (7) ja pidä suojusta (4) työkalun yläpuolella kuvan mukaisesti.
- ◆ Linjaa korvakkeet (8) lovien (9) kanssa.
- ◆ Paina suojusta alaspäin ja pyöritä sitä vastapäivään haluttuun asentoon.
- ◆ Kiinnitä kiristyslukitsin (7) lukitaksesi suojuksen työkaluun.
- ◆ Jos tarpeen, kiristä ruuvia (6) kasvattaaksesi kiristysvoimaa.

Irrottaminen

- ◆ Vapauta kiristyslukitsin (7).
- ◆ Pyöritä suojusta myötäpäivään linjatakseeni korvakkeet (8) lovien (9) kanssa.
- ◆ Irrota suojuus työkalusta.

Varoitus! Älä koskaan käytä työkalua ilman suojusta.

Sivukahvan kiinnittäminen

- ◆ Ruuvaa sivukahva (2) yhteen työkalun kiinnitysreistä.

Varoitus! Käytä aina sivukahvaa.

Hioma- tai leikkausajan kiinnittäminen ja irrottaminen (kuvat B-D)

Käytä aina työhösi sopivaa laikkatyyppiä. Käytä aina laikkaa, jolla on oikea halkaisija ja sisäläpimitä (katso Tekniset tiedot).

Kiinnittäminen

- ◆ Aseta suojuus paikalleen yllä kuvatulla tavalla.
- ◆ Aseta sisälaippa (10) karaan (5) kuvassa B näytetyllä tavalla. Varmista, että laippa on asetettu oikein karan tasaisille pinnoille.
- ◆ Aseta laikka (11) karaan (5) kuvassa B näytetyllä tavalla. Jos laikassa on korotettu keskusta (12), varmista, että keskusta on sisälaiipan puolella.
- ◆ Varmista, että laikka on asetettu sisälaiपालle oikein.
- ◆ Aseta ulkolaippa (13) karaan. Hiomalaikkaa kiinnitettäessä ulkolaiipan korotettu keskusta täytyy olla laikan puolella (kohta A kuvassa C). Leikkauslaikkaa kiinnitettäessä ulkolaiipan korotettu keskusta täytyy olla laikasta pois päin (kohta B kuvassa C).
- ◆ Pidä karalukkoa (3) painettuna ja kiristä ulkolaippa sakara-avainta (14) käyttäen (kuva D).

Irrottaminen

- ◆ Pidä karalukkoa (3) painettuna ja löysää ulkolaippaa (13) sakara-avainta (14) käyttäen (kuva D).
- ◆ Poista ulkolaippa (13) ja laikka (11).

Hiekkapaperilaikkojen kiinnittäminen ja irrottaminen (kuvat D ja E)

Tukilaiipan käyttäminen on pakollista hionnassa. Tukilaiippoja on saatavana lisävarusteena Stanley Fat Max -jälleenmyyjiltä.

Kiinnittäminen

- ◆ Aseta sisälaippa (10) karaan (5) kuvassa E näytetyllä tavalla. Varmista, että laippa on asetettu oikein karan tasaisille pinnoille.
- ◆ Aseta tukilaippa (15) karaan.
- ◆ Aseta hiekkapaperilaikka (16) tukilaiपालle.
- ◆ Aseta ulkolaippa (13) karaan siten, että sen korotettu keskusta on pois päin laikasta.
- ◆ Pidä karalukkoa (3) painettuna ja kiristä ulkolaippa sakara-avainta (14) käyttäen (kuva D). Varmista, että ulkolaippa on kiinnitetty oikein ja että laikka on tiukasti paikallaan.

Irrottaminen

- ◆ Pidä karalukkoa (3) painettuna ja löysää ulkolaippaa (13) sakara-avainta (14) käyttäen (kuva D).
- ◆ Poista ulkolaippa (13), hiekkapaperilaikka (16) ja tukilaippa (15).

Käyttö

Varoitus! Anna työkalun käydä omaan tahtiinsa. Älä ylikuormita sitä.

- Ohjaa kaapeli siten, ettet vahingossa leikkaa sitä.
- Valmistaudu kipinävirtaan hioma- tai leikkauslaikan koskettaessa työstökappaletta.
- Aseta työkalu aina siten, että suojuus antaa optimaalisen suojan hioma- tai leikkauslaikalta.

Käynnistäminen ja pysäyttäminen

- Käynnistä työkalu liu'uttamalla virtakytkintä (1) eteenpäin ja painamalla sitä. Huomioi, että työkalu jää päälle vapauttaessasi kytkimen.
- Sammuta työkalu painamalla virtakytkimen takaosaa.

Varoitus! Älä sammuta työkalua sen ollessa kuormittuna.

Vinkkejä parhaimman tuloksen saavuttamiseksi

- Pidä työkalusta tiukasti kiinni toisella kädellä sivukahvasta ja toisella pääkahvasta.
- Pidä hionnassa aina noin 15°:een kulma laikan ja työstökappaleen pinnan välillä.

Huolto

Verkkojohdolla varustettu tai verkkojohdoton Stanley Fat Max -laite/-työkalu on suunniteltu toimimaan mahdollisimman pitkään mahdollisimman vähällä huollolla. Oikealla huollolla ja säännöllisellä puhdistuksella työkalu säilyttää suorituskykynsä.

Varoitus! Toimi ennen verkkojohdolla varustetun tai verkkojohdoton sähkötyökalun huoltoa seuraavasti:

- Sammuta laite/työkalu ja irrota se verkkovirrasta.
- Jos laitteessa/työkalussa on erillinen akku, sammuta laite/työkalu ja irrota sen akku.
- Jos akku on kiinteä, käytä akku täysin loppuun ja sammuta laite/työkalu sitten.
- Irrota laturi pistorasiasta ennen laturin puhdistamista. Laturi ei tarvitse säännöllisen puhdistamisen lisäksi mitään muuta huoltoa.
- Puhdista laitteen/työkalun/laturin ilma-aukot säännöllisesti pehmeällä harjalla tai kuivalla kangasliinalla.
- Puhdista moottorin kotelo säännöllisesti kostealla rätillä. Älä koskaan käytä puhdistamiseen liuotinaineita tai syövyttäviä puhdistusaineita.
- Avaa istukka säännöllisesti ja naputtele pöly pois sen sisältä (soveltuvin osin).

Virtapistokkeen vaihto (vain Iso-Britannia ja Irlanti)

Jos joudut vaihtamaan virtapistokkeen:

- Hävitä vanha pistoke ympäristöystävällisesti.
- Liitä ruskea johto uuden pistokkeen jännitteeseen napaan.
- Liitä sininen johto tähtipisteliitimeen.

Varoitus! Maadoitusliitimeen ei liitetä johtoa. Noudata pistokkeen mukana toimitettuja kiinnitysohjeita. Suositeltava sulake: 13 A.

Ympäristönsuojelu



Erillinen keräys. Tätä tuotetta ei saa hävittää normaalin kotitalousjätteen mukana.

Kun Stanley Fat Max -laitteesi aikanaan täytyy vaihtaa tai ei kelpaa enää käyttöön, älä hävitä laitetta kotitalousjätteen mukana. Toimita laite kierrätettäväksi.



Käytettyjen tuotteiden ja pakkausmateriaalien erilliskeruun avulla materiaalit voidaan kierrättää ja käyttää uudelleen.

Kierrätysmateriaalien käyttö auttaa vähentämään ympäristön saastumista ja uusien raaka-aineiden tarvetta.

Paikallisissa säädöksissä voidaan määrätä, että kodin sähkötuotteiden keruu tapahtuu kaupunkien jätteidenkäsittelyasemilla tai laitteita myyvissä liikkeissä uuden tuotteen oston yhteydessä.

Stanley Europe kerää ja kierrättää Stanley Fat Max -tuotteet, kun ne ovat tulleet elinkaarensa loppuun. Vie tuotteesi valtuutettuun huoltoliikkeeseen, joka kerää vanhat laitteet puolestamme.

Saat valtuutettujen huoltoliikkeiden yhteystiedot ottamalla yhteyttä paikalliseen Stanley European toimipisteeseen tässä käyttöoppaassa ilmoitetussa osoitteessa. Valtuutettujen Stanley Europe -huoltoliikkeiden yhteystiedot sekä lisätietoja palveluistamme on myös Internetissä osoitteessawww.2helpU.com.

Tekniset tiedot

		FME811 (Tyyppi 1)	FME812 (Tyyppi 1)
Syöttöjännite	V _{ac}	230	230
Ottoteho	W	850	850
Kuormittamaton nopeus	min ⁻¹	12,000	12,000
Terän halkaisija	mm	115	125
Terän sisäläpimitta	mm	22	22
Terän maksimipaksuus			
hiomalaikat	mm	6	6
leikkausterät	mm	3.5	3.5
Karan koko		M14	M14
Paino	kg	2.1	2.1

L _{pA} (äänenpaine) 94.5 dB(A), epävarmuus (K) 3 dB(A)
L _{WA} (äänitehotaso) 105.5 dB(A), epävarmuus (K) 3 dB(A)
Tärinän kokonaisarvot (vektorisumma) standardin EN 60745 mukaisesti:
Pintahionta (a _{h,SG}) 9.9 m/s ² , epävarmuus (K) 1.5 m/s ²
Leikkaaminen (a _h) 9.1 m/s ² , epävarmuus (K) 1.5 m/s ²
Kiillottaminen (a _{h,p}) 5.0 m/s ² , epävarmuus (K) 1.5 m/s ²
Kiekkohionta (a _{h,DS}) 3.3 m/s ² , epävarmuus (K) 1.5 m/s ²
Lankaharjaus (a _h) 9.2 m/s ² , epävarmuus (K) 1.5 m/s ²

EY-vaatimustenmukaisuusvakuutus

KONEDIREKTIIVI



FME811 / FME812

Stanley Europe ilmoittaa, että tuotteet, jotka on kuvattu kohdassa Tekniset tiedot, täyttävät seuraavien direktiivien vaatimukset:

2006/42/EY, EN 60745-1, EN 60745-2-3

Nämä tuotteet täyttävät myös direktiivien 2004/108/EY ja 2011/65/EU vaatimukset. Lisätietoja saa ottamalla yhteyttä Stanley European seuraavassa osoitteessa. Tiedot ovat myös käyttöoppaan takakannessa.

Allekirjoittanut vastaa teknisten tietojen kokoamisesta ja antaa tämän ilmoituksen Stanley European puolesta.

Kevin Hewitt

Vice-President Global Engineering
Stanley Europe, Egide Walschaertsstraat 14-18,
2800 Mechelen, Belgium
19/04/2013

Takuu

Stanley Europe takaa, ettei tuotteessa ole materiaali- ja/ tai valmistusvikaa silloin, kun se toimitetaan ostajalle ammattikäyttöön. Takuu on lisäys yksityisen ammattikäyttäjän sopimusoikeuksiin eikä se vaikuta niihin. Takuu on voimassa Euroopan unionin jäsenmaissa ja Euroopan vapaakauppa-alueella (EFTA).

YHDEN VUODEN TÄYDELLINEN TAKUU

Mikäli Stanley Fat Max -tuotteessa ilmenee vika materiaali- ja/ tai valmistusvirheen vuoksi 12 kuukauden kuluessa ostopäivästä, Stanley Europe takaa vaihtavansa vialliset osat tai koko tuotteen Stanley Europan valinnan mukaan ilman kustannuksia ostajalle edellyttäen, että

- ◆ tuotetta ei ole käytetty virheellisesti, vaan sitä on käytetty käyttöoppaan ohjeiden mukaisesti
- ◆ tuote on altistunut vain normaalille kulumiselle
- ◆ tuotetta ei ole korjannut valtuuttamaton henkilö
- ◆ ostokuitti esitetään
- ◆ Stanley Fat Max -tuote palautetaan kaikkien alkuperäisten osien kanssa.

Jos haluat tehdä korvausvaatimuksen, ota yhteyttä ostopaikkaan tai katso lähimmän valtuutetun Stanley Fat Max -huoltoliikkeen yhteystiedot Stanley Fat Max -tuoteluettelosta tai ota yhteyttä paikalliseen Stanley-toimipisteeseen tässä ohjeessa kerrotussa osoitteessa. Valtuutettujen Stanley Fat Max -huoltoliikkeiden yhteystiedot sekä lisätietoja palveluistamme on myös Internetissä osoitteessa www.stanley.eu/3.

Ενδεξιμένη χρήση

Το γωνιακό τριβείο της Stanley Fat Max έχει σχεδιαστεί για τρίψιμο και κοπή μετάλλου και τοιχοποιίας χρησιμοποιώντας τον κατάλληλο τύπο δίσκου κοπής ή λείανσης. Όταν εφοδιασμένο με τους κατάλληλους προφυλακτήρες, το εργαλείο αυτό προορίζεται για επαγγελματική και ιδιωτική, μη επαγγελματίες χρήστες.

Οδηγίες ασφαλείας

Γενικές προειδοποιήσεις ασφαλείας για τα ηλεκτρικά εργαλεία



Προειδοποίηση! Διαβάστε όλες τις υποδείξεις και όλες τις οδηγίες. Η μη τήρηση των παρακάτω προειδοποιήσεων και οδηγιών μπορεί να προκαλέσει ηλεκτροπληξία, πυρκαγιά ή/και σοβαρούς τραυματισμούς.

Φυλάξτε όλες τις προειδοποιήσεις και τις οδηγίες για μελλοντική αναφορά. Ο χαρακτηρισμός "ηλεκτρικό εργαλείο" που χρησιμοποιείται σε όλες τις παρακάτω προειδοποιήσεις αφορά είτε το εργαλείο που συνδέεται στην πρίζα (με καλώδιο) είτε το εργαλείο που λειτουργεί με μπαταρία (χωρίς καλώδιο).

1. Ασφάλεια χώρου εργασίας

- Διατηρείτε το χώρο που εργάζεστε καθαρό και καλά φωτισμένο.** Η αταξία στο χώρο εργασίας και τα σημεία χωρίς καλό φωτισμό μπορεί να οδηγήσουν σε ατυχήματα.
- Μη χρησιμοποιείτε ηλεκτρικά εργαλεία σε περιβάλλον όπου υπάρχει κίνδυνος έκρηξης, π.χ. παρουσία εύφλεκτων υγρών, αερίων ή σκόνης.** Τα ηλεκτρικά εργαλεία μπορεί να δημιουργήσουν σπινθηρισμό ο οποίος μπορεί να αναφλέξει τη σκόνη ή τις αναθυμιάσεις.
- Όταν χρησιμοποιείτε το ηλεκτρικό εργαλείο, κρατάτε τα παιδιά και τα υπόλοιπα άτομα μακριά από το χώρο εργασίας.** Σε περίπτωση που άλλα άτομα αποσπάσουν την προσοχή σας μπορεί να χάσετε τον έλεγχο του εργαλείου.

2. Ασφαλής χρήση ηλεκτρικού ρεύματος

- Το φως του καλωδίου του ηλεκτρικού εργαλείου πρέπει να ταιριάζει στην αντίστοιχη πρίζα. Δεν επιτρέπεται με κανέναν τρόπο η μετασκευή του φως. Μη χρησιμοποιείτε προσαρμοστικά φως με γειωμένα ηλεκτρικά εργαλεία.** Τα φως που δεν έχουν υποστεί τροποποιήσεις και οι κατάλληλες πρίζες μειώνουν τον κίνδυνο ηλεκτροπληξίας.
- Αποφύγετε την επαφή του σώματός σας με γειωμένες επιφάνειες όπως σωλήνες, θερμαντικά σώματα (καλοριφέρ), κουζίνες και ψυγεία.** Όταν το σώμα σας είναι γειωμένο, αυξάνεται ο κίνδυνος ηλεκτροπληξίας.

- Μην εκθέτετε τα ηλεκτρικά εργαλεία στη βροχή ή την υγρασία.** Η εισχώρηση νερού στο ηλεκτρικό εργαλείο αυξάνει τον κίνδυνο ηλεκτροπληξίας.
- Μην κακομεταχειρίζεστε το καλώδιο. Μη χρησιμοποιείτε ποτέ το καλώδιο για να μεταφέρετε το εργαλείο, να το τραβήξετε ή να το αποσυνδέσετε από την πρίζα. Κρατάτε το καλώδιο μακριά από θερμότητα, λάδια, αιχμηρά άκρα ή κινούμενα μέρη.** Τυχόν χαλασμένα ή μπερδεμένα καλώδια αυξάνουν τον κίνδυνο ηλεκτροπληξίας.
- Όταν χρησιμοποιείτε το ηλεκτρικό εργαλείο σε εξωτερικούς χώρους, να χρησιμοποιείτε πάντοτε καλώδια προέκτασης κατάλληλα για χρήση σε εξωτερικούς χώρους.** Η χρήση προεκτάσεων κατάλληλων για εργασία σε εξωτερικούς χώρους μειώνει τον κίνδυνο ηλεκτροπληξίας.
- Εάν η χρήση ενός ηλεκτρικού εργαλείου σε μία υγρή τοποθεσία είναι αναπόφευκτη, χρησιμοποιήστε μια Διάταξη Προστασίας Ρεύματος Διαρροής (RCD). Η χρήση μιας διάταξης RCD μειώνει τον κίνδυνο ηλεκτροπληξίας.**

3. Ασφάλεια προσώπων

- Όταν χρησιμοποιείτε το ηλεκτρικό εργαλείο, να είστε προσεκτικοί, να δίνετε προσοχή στην εργασία που κάνετε και να επιστρατεύετε την κοινή λογική. Μη χρησιμοποιείτε το ηλεκτρικό εργαλείο όταν είστε κουρασμένοι ή όταν βρίσκεστε υπό την επήρεια ναρκωτικών, οινοπνεύματος ή φαρμάκων.** Μια στιγμή απροσεξία κατά το χειρισμό του ηλεκτρικού εργαλείου μπορεί να οδηγήσει σε σοβαρούς τραυματισμούς.
- Να χρησιμοποιείτε εξοπλισμό προσωπικής προστασίας. Να φοράτε πάντα προστατευτικά γυαλιά.** Ο κίνδυνος τραυματισμών μειώνεται όταν χρησιμοποιείτε εξοπλισμό προστασίας, όπως μάσκα προστασίας από σκόνη, αντιοισθητικά παπούτσια ασφαλείας, κράνη ή ιαπωνίτιδες, ανάλογα με τις συνθήκες εργασίας.
- Αποφύγετε την ακούσια ενεργοποίηση. Βεβαιωθείτε ότι ο διακόπτης λειτουργίας βρίσκεται στη θέση "OFF" πριν συνδέσετε το εργαλείο στην πρίζα ή/και τοποθετήσετε την μπαταρία, πριν το σηκώσετε ή το μεταφέρετε.** Η μεταφορά ηλεκτρικών εργαλείων με το δάχτυλό σας επάνω στο διακόπτη ή η σύνδεση ηλεκτρικών εργαλείων στην πρίζα ενώ ο διακόπτης βρίσκεται στη θέση ενεργοποίησης, ενέχει κινδύνους πρόκλησης ατυχημάτων.
- Πριν θέσετε το ηλεκτρικό εργαλείο σε λειτουργία, αφαιρέστε τυχόν εργαλεία ή κλειδιά ρύθμισης.** Εάν αφήσετε ένα εργαλείο ή κλειδί πάνω σε κάποιο περιστρεφόμενο εξάρτημα του ηλεκτρικού εργαλείου μπορεί να προκληθούν τραυματισμοί.

- e. Μην τεντώνεστε. Φροντίστε πάντοτε να έχετε την κατάλληλη στάση και να διατηρείτε την ισορροπία σας. Αυτό σας επιτρέπει τον καλύτερο έλεγχο του ηλεκτρικού εργαλείου σε περιπτώσεις απροσδόκων καταστάσεων.
- f. Φοράτε κατάλληλη ενδυμασία εργασίας. Μην φοράτε φαρδιά ρούχα ή κοσμήματα. Κρατάτε τα μαλλιά, τα ενδύματα και τα γάντια σας μακριά από τα κινούμενα εξαρτήματα. Τα φαρδιά ρούχα, τα κοσμήματα και τα μακριά μαλλιά μπορεί να εμπλακούν στα κινούμενα εξαρτήματα.
- g. Αν προβλέπονται διατάξεις απαγωγής και συλλογής της σκόνης, βεβαιωθείτε ότι είναι συνδεδεμένες και ότι χρησιμοποιούνται σωστά. Η χρήση τέτοιων διατάξεων μειώνει τους κινδύνους που προέρχονται από τη σκόνη.
4. Χρήση και συντήρηση του ηλεκτρικού εργαλείου
- a. Μην υπερφορτώνετε το ηλεκτρικό εργαλείο. Χρησιμοποιείτε για την εκάστοτε εργασία σας το ηλεκτρικό εργαλείο που προορίζεται γι' αυτήν. Με το κατάλληλο ηλεκτρικό εργαλείο, εργάζεστε καλύτερα και ασφαλέστερα στην ονομαστική περιοχή ισχύος του.
- b. Μην χρησιμοποιήσετε ποτέ ένα ηλεκτρικό εργαλείο του οποίου ο διακόπτης λειτουργίας είναι χαλασμένος. Ένα ηλεκτρικό εργαλείο του οποίου η λειτουργία δεν μπορεί να ελεγχθεί με το διακόπτη είναι επικίνδυνο και πρέπει να επισκευαστεί.
- c. Βγάλετε το φις από την πρίζα ή/και την μπαταρία από το ηλεκτρικό εργαλείο, πριν διεξαγάγετε κάποια εργασία ρύθμισης, πριν αλλάξετε κάποιο εξάρτημα ή όταν πρόκειται να αποθηκεύσετε τα ηλεκτρικά εργαλεία. Αυτά τα προληπτικά μέτρα ασφαλείας μειώνουν τον κίνδυνο να θεθεί το εργαλείο ακούσια σε λειτουργία.
- d. Να φυλάτε τα ηλεκτρικά εργαλεία που δε χρησιμοποιείτε μακριά από παιδιά. Μην αφήνετε άτομα που δεν είναι εξοικειωμένα με το ηλεκτρικό εργαλείο ή που δεν έχουν διαβάσει αυτές τις οδηγίες χρήσης να το χρησιμοποιήσουν. Τα ηλεκτρικά εργαλεία είναι επικίνδυνα όταν χρησιμοποιούνται από άπειρα άτομα.
- e. Να συντηρείτε τα ηλεκτρικά εργαλεία. Ελέγξτε εάν τα κινούμενα εξαρτήματα είναι σωστά ευθυγραμμισμένα ή αν έχουν μπλοκάρει, εάν έχουν σπάσει κομμάτια και εάν πληρούνται όλες οι υπόλοιπες προϋποθέσεις που ενδεχομένως να επηρεάσουν τη σωστή λειτουργία του εργαλείου. Δώστε τυχόν χαλασμένα εξαρτήματα του ηλεκτρικού εργαλείου για επισκευή πριν το χρησιμοποιήσετε πάλι. Η ανεπαρκής συντήρηση των ηλεκτρικών εργαλείων αποτελεί αιτία πολλών ατυχημάτων.

- f. Διατηρείτε τα κοπτικά εργαλεία κοφτερά και καθαρά. Τα κοπτικά εργαλεία με αιχμηρά κοπτικά άκρα που συντηρούνται σωστά έχουν λιγότερες πιθανότητες να μπλοκάρουν και ελέγχονται ευκολότερα.
- g. Να χρησιμοποιείτε τα ηλεκτρικά εργαλεία, τα εξαρτήματα και τα άκρα των εργαλείων κλπ. σύμφωνα με τις παρούσες οδηγίες, λαμβάνοντας υπόψη σας τις συνθήκες εργασίας και την εργασία που θέλετε να εκτελέσετε. Η χρήση του ηλεκτρικού εργαλείου για εργασίες πέρα από τις προβλεπόμενες μπορεί να οδηγήσει σε επικίνδυνες καταστάσεις.

5. Σέρβις

- a. Το σέρβις του ηλεκτρικού σας εργαλείου πρέπει να αναλαμβάνει έμπειρος τεχνικός που θα χρησιμοποιεί μόνο γνήσια ανταλλακτικά. Έτσι εξασφαλίζεται η διατήρηση της ασφάλειας του ηλεκτρικού εργαλείου.

Συμπληρωματικές προειδοποιήσεις ασφαλείας για τα ηλεκτρικά εργαλεία



Προειδοποίηση! Συμπληρωματικές προειδοποιήσεις ασφαλείας για τρίψιμο, λείανση, χρήση συρματόβουρτσας, στίλβωσης ή εφαρμογές λειαντικής αποκοπής

- ◆ Αυτό το προϊόν προορίζεται για χρήση σαν τριβείο, συρματόβουρτσα, στίλβωτικό ή εργαλείο αποκοπής. Διαβάστε όλες τις προειδοποιήσεις ασφαλείας, οδηγίες, εικόνες και τεχνικά στοιχεία που παρέχονται με αυτό το εργαλείο. Η μη τήρηση όλων των παρακάτω υποδείξεων μπορεί να προκαλέσει ηλεκτροπληξία, πυρκαγιά ή/και σοβαρούς τραυματισμούς.
- ◆ Εργασίες για τις οποίες δεν έχει σχεδιαστεί το ηλεκτρικό εργαλείο μπορεί να δημιουργήσουν κίνδυνο και να προκαλέσουν προσωπικό τραυματισμό.
- ◆ Μην χρησιμοποιείτε εξαρτήματα τα οποία δεν σχεδιάστηκαν ειδικά και δεν συνιστώνται από τον κατασκευαστή του εργαλείου. Απλά επειδή ένα αξεσουάρ μπορεί να προσαρμωθεί στο ηλεκτρικό σας εργαλείο, δεν εξασφαλίζεται η ασφαλής λειτουργία του.
- ◆ Ο ονομαστικός αριθμός στροφών του αξεσουάρ πρέπει να είναι τουλάχιστον ίσος με το μέγιστο αριθμό στροφών που αναγράφεται στο εργαλείο. Αξεσουάρ τα οποία λειτουργούν σε υψηλότερο αριθμό από την ονομαστική τους ταχύτητα μπορεί να σπασούν και να εκσφενδονιστούν.
- ◆ Η εξωτερική διάμετρος και το πάχος του εξαρτήματος πρέπει να βρίσκονται εντός των ορίων των ικανοτήτων του ηλεκτρικού σας εργαλείου. Λανθασμένα διαστασιοποιημένα εξαρτήματα δεν μπορούν να προφυλαχτούν ή να ελεγχθούν επαρκώς.

- ◆ Το μέγεθος του άξονα τροχών, της φλάντζας, των γυαλόχαρτων ή οποιουδήποτε άλλου εξαρτήματος πρέπει να προσαρμόζεται σωστά στον άξονα του ηλεκτρικού εργαλείου. Αξεσουάρ με σπές άξονα που δεν ταιριάζουν με το άκρο στερέωσης του ηλεκτρικού εργαλείου θα λειτουργούν εκτός ισορροπίας, θα δονούνται υπερβολικά και μπορεί να προκαλέσουν απώλεια ελέγχου.
- ◆ Μη χρησιμοποιείτε ένα χαλασμένο αξεσουάρ. Πριν από κάθε χρήση, επιθεωρήστε το εξάρτημα όπως τροχό λείανσης για θραύσματα και ρωγμές, το γυαλόχαρτο για ρωγμές, σκισίματα ή υπερβολική φθορά, τη συρματόβουρτσα για χαλαρά ή ραγισμένα σύρματα. Εάν το ηλεκτρικό εργαλείο ή εξάρτημα πέσει, ελέγξτε για τυχόν ζημιές ή τοποθετήστε ένα μη κατεστραμμένο εξάρτημα. Μετά τον έλεγχο και την εγκατάσταση ενός εξαρτήματος λειτουργήστε το εργαλείο στη μέγιστη ταχύτητα χωρίς φορτίο για ένα λεπτό. Τυχόν κατεστραμμένα εξάρτημα συνήθως θα διαλυθούν κατά τη διάρκεια αυτού του χρόνου δοκιμής.
- ◆ Χρησιμοποιείτε εξοπλισμό προσωπικής προστασίας. Ανάλογα με την εφαρμογή, χρησιμοποιήστε προστατιδα ή προστατευτικά γυαλιά. Όπως απαιτείται φοράτε μάσκα προστασίας από σκόνη, γυασπίδες ασφαλείας, γάντια και ποδιά ικανή να σταματήσει μικρά θραύσματα κοφτερά ή του κατεργαζόμενου τεμαχίου. Τα προστατευτικά γυαλιά πρέπει να μπορούν να σταματήσουν εκτοξευόμενα θραύσματα που δημιουργούνται από διάφορες εργασίες. Η μάσκα σκόνης ή αναπνευστική συσκευή πρέπει να είναι σε θέση να φιλτράρει σωματίδια που παράγονται από την εργασία σας. Η παρατεταμένη έκθεση σε υψηλής έντασης θόρυβο μπορεί να προκαλέσει απώλεια ακοής.
- ◆ Κρατήστε τους παρευρισκόμενους σε μια ασφαλή απόσταση από το χώρο εργασίας. Κάθε άτομο που εισέρχεται στο χώρο εργασίας πρέπει να φορά εξοπλισμό προσωπικής προστασίας. Θραύσματα του κατεργαζόμενου τεμαχίου ή ένα σπασμένο εξάρτημα μπορεί να εκσφενδονιστεί και να προκαλέσουν τραυματισμούς πέρα από τον άμεσο χώρο εργασίας.
- ◆ Κρατάτε το ηλεκτρικό εργαλείο μόνο από τις μονωμένες επιφάνειες συγκράτησης όταν εκτελείτε κάποια εργασία κατά την οποία το εξάρτημα κοπής μπορεί να έρθει σε επαφή με κρυμμένα καλώδια ή με το δικό του καλώδιο. Η επαφή του εξαρτήματος κοπής με ένα καλώδιο υπό τάση θα θάσει τα μεταλλικά μέρη του εργαλείου υπό τάση και ο χειριστής να υποστεί ηλεκτροπληξία.
- ◆ Τοποθετήστε το καλώδιο μακριά από το περιστρεφόμενο αξεσουάρ. Αν χάσετε τον έλεγχο, το καλώδιο μπορεί να κοπεί ή να εμπλακεί και το χέρι ή ο βραχίονάς σας να τραβηχτεί σε ένα περιστρεφόμενο εξάρτημα.

- ◆ Ποτέ μην αποθετέτε το ηλεκτρικό εργαλείο πριν το εξάρτημα ακινητοποιηθεί πλήρως. Το περιστρεφόμενο εξάρτημα μπορεί να εμπλακεί στην επιφάνεια και να αποσπαστεί το ηλεκτρικό εργαλείο από τον έλεγχό σας.
- ◆ Μην λειτουργείτε το ηλεκτρικό εργαλείο ενώ το μεταφέρετε στο πλευρό σας. Η ακούσια επαφή με το περιστρεφόμενο εξάρτημα μπορεί να εμπλέξει τα ρούχα σας, τραβώντας το εξάρτημα στο σώμα σας.
- ◆ Καθαρίζετε τακτικά τις εγχοπές εξαιρισμού του εργαλείου. Ο ανεμιστήρας του μοτέρ αναρροφά την σκόνη μέσα στο περιβλημά και η υπερβολική συσσώρευση ρινισμάτων μετάλλου μπορεί να προκαλέσει ηλεκτρικούς κινδύνους.
- ◆ Μη χρησιμοποιείτε το ηλεκτρικό εργαλείο κοντά σε εύφλεκτα υλικά. Οι σπινθήρες μπορούν να προκαλέσουν ανάφλεξη σε αυτά τα υλικά.
- ◆ Μη χρησιμοποιείτε εξαρτήματα που απαιτούν ψυκτικά υγρά. Η χρήση νερού ή άλλων ψυκτικών υγρών μπορεί να προκαλέσει ηλεκτροπληξία.

Σημείωση: Η παραπάνω προειδοποίηση δεν ισχύει για ηλεκτρικά εργαλεία ειδικά σχεδιασμένα για χρήση με ένα σύστημα με υγρά.

Κλότσημα και σχετικές προειδοποιήσεις

Το κλότσημα είναι μια ξαφνική αντίδραση όταν ένας περιστρεφόμενος τροχός, γυαλόχαρτο, βούρτσα ή κάποιου άλλο εξάρτημα πιαστεί ή κολλήσει. Το πάσιμο ή το κόλλημα προκαλεί ταχεία ακινητοποίηση του περιστρεφόμενου εξαρτήματος που με τη σειρά της εξαναγκάζει το εκτός ελέγχου ηλεκτρικό εργαλείο προς την αντίθετη κατεύθυνση της περιστροφής του εξαρτήματος από το σημείο εμπλοκής.

Για παράδειγμα, αν ένας τροχός λείανσης πιαστεί ή κολλήσει στο κατεργαζόμενο τεμάχιο, η ακμή του τροχού που εισέρχεται στο σημείο εμπλοκής μπορεί να σκάψει την επιφάνεια του υλικού προκαλώντας την έξοδο ή το κλότσημα του τροχού. Ο τροχός μπορεί είτε να αναπηδήσει προς ή μακριά από το χειριστή, ανάλογα με την κατεύθυνση κίνησης του τροχού στο σημείο εμπλοκής. Οι τροχοί λείανσης μπορούν επίσης να σπάσουν υπό αυτές τις συνθήκες.

Το κλότσημα αποτελεί συνέπεια κακής χρήσης του ηλεκτρικού εργαλείου ή/και εσφαλμένων διαδικασιών ή συνθηκών λειτουργίας και μπορεί να αποφευχθεί με κατάλληλα προληπτικά μέτρα, όπως αυτά που περιγράφονται παρακάτω.

- ◆ Κρατήστε το ηλεκτρικό εργαλείο γερά και τοποθετήστε το σώμα και το βραχίονά σας έτσι ώστε να μπορείτε να αντισταθείτε στις δυνάμεις του κλοστήματος. Πάντα χρησιμοποιείτε τη βοηθητική λαβή, εάν παρέχεται, για μέγιστο έλεγχο του κλοστήματος ή της αντίδρασης ροπής κατά την εκκίνηση. Ο χειριστής μπορεί να ελέγξει την αντίδραση ροπής ή το κλότσημα εάν έχουν ληφθεί κατάλληλα προληπτικά μέτρα.
- ◆ Ποτέ μην τοποθετείτε το χέρι σας κοντά στο περιστρεφόμενο εξάρτημα. Το αξεσουάρ μπορεί να κλοστήσει πάνω από το χέρι σας.
- ◆ Μην τοποθετείτε το σώμα σας στην περιοχή όπου θα κινηθεί το ηλεκτρικό εργαλείο αν σημειωθεί κλότσημα. Το κλότσημα θα ωθήσει το εργαλείο σε αντίθετη κατεύθυνση από την κίνηση του τροχού στο σημείο εμπλοκής.
- ◆ Επιδείξτε ιδιαίτερη προσοχή κατά την εργασία σε γωνίες, αιχμηρές ακμές κλπ. Αποφύγετε την αναπήδηση και την εμπλοκή του εξαρτήματος. Οι γωνίες, οι αιχμηρές ακμές ή η αναπήδηση έχουν την τάση να εμπλέκουν το περιστρεφόμενο εξάρτημα και να προκαλούν απώλεια ελέγχου ή κλότσημα.
- ◆ Μην προσαρμόσετε δίσκο κοπής ξύλου με αλυσίδα ή οδοντωτή πριονόλαμα. Τέτοιες λεπίδες συχνά προκαλούν κλότσημα και απώλεια ελέγχου.

Προειδοποιήσεις ασφαλείας ειδικά για τρίψιμο και εργασίες λειαντικής αποκοπής

- ◆ Χρησιμοποιήστε μόνο τύπους τροχού που συνιστώνται για το εργαλείο σας και τον συγκεκριμένο προφυλακτήρα ο οποίος έχει σχεδιαστεί για τον επιλεγμένο τροχό. Σε τροχούς για τους οποίους δεν έχει σχεδιαστεί το ηλεκτρικό εργαλείο δεν μπορεί να παρασχεθεί επαρκής προφύλαξη και δεν είναι ασφαλείς.
- ◆ Ο προφυλακτήρας πρέπει να στερεώνεται καλά στο ηλεκτρικό εργαλείο και να τοποθετείται για μέγιστη ασφάλεια, έτσι ώστε να εκτίθεται το ελάχιστο δυνατό τμήμα του τροχού προς το χειριστή. Ο προφυλακτήρας βοηθά στην προστασία του χειριστή από τυχόν θραύσματα του τροχού και κατά λάθος επαφή με τον τροχό.
- ◆ Οι τροχοί πρέπει να χρησιμοποιούνται μόνο για τις συνιστώμενες εφαρμογές. Για παράδειγμα: μην τρίβετε με το πλευρό του τροχού κοπής. Οι τροχοί λειαντικής αποκοπής προορίζονται για λείανση με την περιφέρεια, πλευρικές δυνάμεις που εφαρμόζονται στους τροχούς αυτούς μπορεί να προκαλέσουν τη θραύση τους.

- ◆ Πάντοτε χρησιμοποιείτε φλάντζες τροχών χωρίς ζημίες του σωστού μεγέθους και σχήματος για τον επιλεγμένο τροχό σας. Η σωστή φλάντζα τροχού στηρίζει τον τροχό, μειώνοντας έτσι την πιθανότητα θραύσης του τροχού. Φλάντζες για δίσκους κοπής μπορεί να είναι διαφορετικές από τις φλάντζες τροχών λείανσης.
- ◆ Μην χρησιμοποιείτε φθαρμένους τροχούς από μεγαλύτερα ηλεκτρικά εργαλεία. Τροχοί που προορίζονται για μεγαλύτερα ηλεκτρικά εργαλεία δεν είναι κατάλληλοι για τον υψηλότερο αριθμό στροφών ενός μικρότερου εργαλείου και μπορεί να σπάσουν.

Συμπληρωματικές προειδοποιήσεις ασφαλείας για εργασίες λειαντικής αποκοπής

- ◆ Μην μαγκώνετε τον τροχό κοπής και μην εφαρμόζετε υπερβολική πίεση. Μην επιχειρείτε να πραγματοποιήσετε υπερβολικό βάθος κοπής. Η υπερβολική καταπόνηση του τροχού αυξάνει τη φόρτωση και την επιδεκτικότητα για στρέβλωση ή κόλλημα του τροχού στην κοπή και τη πιθανότητα κλοστήματος ή θραύσης του τροχού.
- ◆ Μην τοποθετείτε το σώμα σας σε ευθεία με έναν περιστρεφόμενο δίσκο. Όταν ο τροχός, στο σημείο λειτουργίας, κινείται μακριά από το σώμα σας, πιθανό κλότσημα μπορεί να εκσφενδονίσει τον περιστρεφόμενο τροχό και το εργαλείο κατευθείαν προς τα εσάς.
- ◆ Όταν μπλοκάρει ο τροχός, ή σε περίπτωση διακοπής της κοπής για οποιονδήποτε λόγο, απενεργοποιήστε το εργαλείο και κρατήστε το ακίνητο μέσα στο αντικείμενο μέχρι να σταματήσει τελείως ο τροχός. Ποτέ μην προσπαθήσετε να αφαιρέσετε τον τροχό κοπής από την οπή, ενώ ο τροχός είναι σε κίνηση, διαφορετικά μπορεί να σημειωθεί κλότσημα. Βρείτε την αιτία του προβλήματος και προβείτε σε διορθωτική ενέργεια για να εξλειφθεί η αιτία που προκάλεσε το μπλοκάρισμα του τροχού.
- ◆ Μην επανεκκινήσετε την εργασία κοπής μέσα στο κατεργαζόμενο τεμάχιο. Αφήστε τον τροχό να επιτύχει τις μέγιστες στροφές και προσεκτικά επανεισάγετε τον στην κοπή. Ο τροχός μπορεί να μπλοκάρει ή να κινηθεί προς τα έξω εάν το εργαλείο επανεκκινήσει μέσα στο κατεργαζόμενο τεμάχιο.
- ◆ Να στηρίζετε μεγάλες επιφάνειες ή υπερμεγέθη κατεργαζόμενα τεμάχια για να ελαχιστοποιηθεί ο κίνδυνος σφηνώματος και κλοστήματος του τροχού. Μεγάλα κατεργαζόμενα τεμάχια έχουν την τάση να υποχωρούν από το βάρος τους. Θα πρέπει να τοποθετούνται στηρίγματα κάτω από το κατεργαζόμενο τεμάχιο κοντά στη γραμμή κοπής και κοντά στην άκρη της επιφάνειας και στις δύο πλευρές του τροχού.

- ♦ **Να προσέχετε πάρα πολύ κατά την εκτέλεση "κοπής εσοχής" μέσα σε τοίχους ή άλλες επιφάνειες που δεν υπάρχουν ορατότητα.** Ο προεξέχων τροχός μπορεί να κόψει σωληνές αερίου ή νερού, ηλεκτρικά καλώδια ή αντικείμενα που μπορούν να προκαλέσουν κλότσημα.

Προειδοποιήσεις ασφαλείας ειδικά για εργασίες τριψίματος

- ♦ **Μη χρησιμοποιείτε υπερβολικά υπερμεγέθη γυαλόχαρτα δίσκου λείανσης. Τηρήστε τις συστάσεις του κατασκευαστή, κατά την επιλογή γυαλόχαρτου.** Μεγαλύτερα γυαλόχαρτα που εξέχουν πέρα από το υπόθεμα λείανσης δημιουργούν κίνδυνο απόσχισης και μπορεί να προκαλέσουν εμπλοκή, σκίσιμο του δίσκου ή κλότσημα.

Προειδοποιήσεις ασφαλείας ειδικά για εργασίες στίλβωσης

- ♦ **Μην επιτρέπεται σε χαλαρά τμήματα του καλύμματος στίλβωσης ή στα κορδόνια στερέωσής του να περιστρέφονται ελεύθερα. Κρύψτε ή κόψτε ταχύν ελεύθερα κορδόνια στερέωσης.** Χαλαρά και περιστρεφόμενα κορδόνια στερέωσης μπορεί να εμπλέξουν τα δάκτυλά σας ή να πιαστούν πάνω στο κατεργαζόμενο τεμάχιο.

Προειδοποιήσεις ασφαλείας ειδικά για εργασίες χρήσης συρματόβουρτσας

- ♦ **Έχετε υπόψη σας ότι συρματίνες τρίχες εκσφενδονίζονται από τη βούρτσα, ακόμη και κατά τη συνήθη λειτουργία. Μην καταπονείτε υπερβολικά τα σύρματα εφαρμόζοντας υπερβολικό φορτίο στη βούρτσα.** Οι συρματίνες τρίχες μπορούν να διεισδύσουν εύκολα σε ελαφρύ ρουχισμό και/ή την επιδερμίδα.
- ♦ **Εάν συνιστάται προφυλακτήρας για εργασίες χρήσης συρματόβουρτσας, μην επιτρέψετε οποιαδήποτε παρεμβολή του τροχού (σβουράκι) ή της συρματόβουρτσας με τον προφυλακτήρα.** Το σβουράκι ή η συρματόβουρτσα μπορεί να αυξήσουν τη διάμετρό τους λόγω του φορτίου εργασίας και των φυγόκεντρων δυνάμεων.

Ασφάλεια τρίτων

- ♦ Αυτό το εργαλείο δεν προορίζεται για χρήση από άτομα (στα οποία περιλαμβάνονται και τα παιδιά) με μειωμένες φυσικές, αντιληπτικές ή διανοητικές ικανότητες ή άτομα χωρίς εμπειρία και γνώσεις, παρά μόνο εφόσον επιτηρούνται ή τους έχουν δοθεί οδηγίες σχετικά με τη χρήση του εργαλείου από άτομο υπεύθυνο για την ασφάλειά τους.
- ♦ Τα παιδιά πρέπει να επιτηρούνται για να διασφαλίζεται ότι δεν παίζουν με το εργαλείο.

Αναπόφευκτοι κίνδυνοι.

Μπορεί να προκληθούν επιπρόσθετοι αναπόφευκτοι κίνδυνοι όταν χρησιμοποιείτε το εργαλείο, οι οποίοι μπορεί να μην συμπεριλαμβάνονται στις προειδοποιήσεις ασφαλείας που εσωκλείονται. Αυτοί οι κίνδυνοι μπορεί να προκληθούν από κακή χρήση, παρατεταμένη χρήση κτλ. Ακόμα και με την τήρηση των σχετικών κανονισμών ασφαλείας και τη χρήση μέσων προστασίας, ορισμένοι κίνδυνοι δεν είναι δυνατοί να εξαλειφθούν. Αυτοί περιλαμβάνουν:

- ♦ **Τραυματισμούς από το άγγιγμα των περιστρεφόμενων/κινούμενων μερών.**
- ♦ **Τραυματισμούς από αλλαγή οποιωνδήποτε εξαρτημάτων, λεπίδων ή αξεσουάρ.**
- ♦ **Τραυματισμούς από παρατεταμένη χρήση του εργαλείου. Όταν χρησιμοποιείτε οποιοδήποτε εργαλείο για παρατεταμένες χρονικές περιόδους βεβαιωθείτε ότι κάνετε τακτικά διαλείμματα.**
- ♦ **Προβλήματα ακοής.**
- ♦ **Κίνδυνοι στην υγεία που προκαλούνται από την εισπνοή σκόνης όταν χρησιμοποιείτε το εργαλείο (παράδειγμα:- όταν επεξεργάζεστε ξύλο, ειδικά δρυ, οξιά και MDF.)**

Δόνηση

Η δηλωμένη τιμή εκπομπής δόνησης που αναφέρεται στα τεχνικά χαρακτηριστικά και τη δήλωση συμμόρφωσης έχει μετρηθεί σύμφωνα με μια τυποποιημένη μέθοδο δοκιμής που παρέχεται από το πρότυπο EN 60745 και μπορεί να χρησιμοποιηθεί για τη σύγκριση ενός εργαλείου με ένα άλλο. Η δηλωμένη τιμή εκπομπής δόνησης μπορεί επίσης να χρησιμοποιηθεί σε έναν προκαταρκτικό προσδιορισμό της έκθεσης.

Προειδοποίηση! Η τιμή εκπομπής δόνησης κατά την πραγματική χρήση του ηλεκτρικού εργαλείου μπορεί να διαφέρει από τη δηλωμένη τιμή, ανάλογα με το τρόπο που χρησιμοποιείται το εργαλείο. Η στάθμη δόνησης μπορεί να αυξηθεί πάνω από τη στάθμη που έχει δηλωθεί.

Κατά τον προσδιορισμό της έκθεσης σε δόνηση για τον καθορισμό των απαιτούμενων μέτρων ασφάλειας σύμφωνα με την οδηγία 2002/44/ΕΚ για την προστασία προσώπων που χρησιμοποιούν συχνά ηλεκτρικά εργαλεία στην εργασία τους, μια προσεγγιστική εκτίμηση της έκθεσης σε δόνηση πρέπει να λαμβάνει υπόψη τις πραγματικές συνθήκες χρήσης και τον τρόπο χρήσης του εργαλείου, συμπεριλαμβανομένων και όλων των επιμέρους τμημάτων του κύκλου εργασίας, όπως, πόσες φορές τέθηκε το εργαλείο εκτός λειτουργίας, πότε είναι σε λειτουργία χωρίς φορτίο επιπρόσθετα στο χρόνο πίεσης της σκανδάλης.

Ετικέτες στο εργαλείο

Τα ακόλουθα εικονογράμματα εμφανίζονται στο εργαλείο:



Προειδοποίηση! Για να μειωθεί ο κίνδυνος τραυματισμού, ο χρήστης πρέπει να διαβάσει το εγχειρίδιο οδηγιών.



Φοράτε προστατευτικά γυαλιά όταν χρησιμοποιείτε αυτό το εργαλείο.



Φοράτε ωτασπίδες όταν χρησιμοποιείτε αυτό το εργαλείο.

Ασφαλής χρήση ηλεκτρικού ρεύματος



Αυτό το εργαλείο διαθέτει διπλή μόνωση, επομένως δεν απαιτείται καλώδιο γείωσης. Ελέγχετε πάντοτε αν η τάση τροφοδοσίας αντιστοιχεί σε αυτήν που αναγράφεται στην πινακίδα τεχνικών χαρακτηριστικών.

- ♦ Αν το καλώδιο ρεύματος έχει υποστεί φθορά, πρέπει να αντικατασταθεί από τον κατασκευαστή ή από ένα εξουσιοδοτημένο κέντρο επισκευών της Stanley Fat Max, ώστε να μην αποτελέσει κίνδυνο.

Χαρακτηριστικά

Αυτό το εργαλείο διαθέτει μερικά ή όλα από τα παρακάτω χαρακτηριστικά.

1. Διακόπτης on/off
2. Πλευρική λαβή
3. Ασφάλιση άξονα
4. Προφυλακτήρας λείανσης

Συναρμολόγηση

Προειδοποίηση! Πριν από τη συναρμολόγηση, βεβαιωθείτε ότι το εργαλείο είναι απενεργοποιημένο και ότι το φως δεν είναι στην πρίζα.

Τοποθέτηση και αφαίρεση του προφυλακτήρα (εικ. Α)

Το εργαλείο παρέχεται με έναν προφυλακτήρα που προορίζεται μόνο για εργασίες λείανσης και εργασίες κοπής. Βεβαιωθείτε ότι χρησιμοποιείτε το σωστό ειδικό προφυλακτήρα για την προοριζόμενη εργασία. Εάν θελήσετε να χρησιμοποιήσετε τη συσκευή για να εκτελέσετε εργασίες κοπής, πρέπει να τοποθετήσετε ένα ειδικό για αυτή τη χρήση προστατευτικό (17, εικ. F).

Τοποθέτηση

- ♦ Τοποθετήστε το εργαλείο σε ένα τραπέζι, με τον άξονα (5) στραμμένο προς τα πάνω.

- ♦ Απελευθερώστε την ασφάλεια σύσφιξης (7) και κρατήστε τον προφυλακτήρα (4) πάνω από το εργαλείο όπως φαίνεται.
- ♦ Ευθυγραμμίστε τις προεξοχές (8) με τις εγκοπές (9).
- ♦ Πιέστε τον προφυλακτήρα κάτω και περιστρέψτε τον αριστερόστροφα στην απαιτούμενη θέση.
- ♦ Σφίξτε την ασφάλεια σύσφιξης (7) για να στερεώσετε τον προφυλακτήρα στο εργαλείο.
- ♦ Εάν χρειάζεται, σφίξτε τη βίδα (6) για να αυξήσετε τη δύναμη σύσφιξης.

Αφαίρεση

- ♦ Απελευθερώστε την ασφάλεια σύσφιξης (7).
- ♦ Περιστρέψτε τον προφυλακτήρα δεξιόστροφα για να ευθυγραμμίστε τις προεξοχές (8) με τις εγκοπές (9).
- ♦ Αφαιρέστε τον προφυλακτήρα από το εργαλείο.

Προειδοποίηση! Μη χρησιμοποιείτε ποτέ το εργαλείο χωρίς τον προφυλακτήρα.

Τοποθέτηση της πλευρικής λαβής

- ♦ Βιδώστε την πλευρική λαβή (2) σε μία από τις οπές τοποθέτησης στο εργαλείο.

Προειδοποίηση! Χρησιμοποιείτε πάντοτε την πλευρική λαβή.

Τοποθέτηση και αφαίρεση δίσκων λείανσης ή κοπής (εικ. Β - D)

Χρησιμοποιείτε πάντοτε το σωστό τύπο δίσκου για την εφαρμογή σας. Χρησιμοποιείτε πάντα δίσκους κατάλληλης διαμέτρου και μεγέθους οπής άξονα (δείτε τα τεχνικά χαρακτηριστικά).

Τοποθέτηση

- ♦ Τοποθετήστε τον προφυλακτήρα όπως περιγράφεται παραπάνω.
- ♦ Τοποθετήστε την εσωτερική φλάντζα (10) στον άξονα (5) όπως φαίνεται (εικ. Β). Βεβαιωθείτε ότι η φλάντζα τοποθετείται σωστά στις επίπεδες πλευρές του άξονα.
- ♦ Τοποθετήστε το δίσκο (11) στον άξονα (5) όπως φαίνεται (εικ. Β). Εάν ο δίσκος διαθέτει υπερυψωμένο κέντρο (12), βεβαιωθείτε ότι το υπερυψωμένο κέντρο βλέπει προς την εσωτερική φλάντζα.
- ♦ Βεβαιωθείτε ότι ο δίσκος τοποθετείται σωστά στην εσωτερική φλάντζα.
- ♦ Τοποθετήστε την εξωτερική φλάντζα (13) στον άξονα. Κατά την τοποθέτηση δίσκου λείανσης, το υπερυψωμένο κέντρο στην εξωτερική φλάντζα πρέπει να είναι στραμμένο προς το δίσκο (Α στην εικ. C). Κατά την τοποθέτηση δίσκου κοπής, το υπερυψωμένο κέντρο στην εξωτερική φλάντζα πρέπει να βλέπει αντίθετα προς το δίσκο (Β στην εικ. C).
- ♦ Κρατήστε την ασφάλιση άξονα (3) πιεσμένη και σφίξτε την εξωτερική φλάντζα χρησιμοποιώντας το κλειδί με τις δύο ακίδες (14) (εικ. D).

Αφαίρεση

- ◆ Κρατήστε την ασφάλιση άξονα (3) πιεσμένη και χαλαρώστε την εξωτερική φλάντζα (13) χρησιμοποιώντας το κλειδί με τις δύο ακίδες (14) (εικ. D).
- ◆ Αφαιρέστε την εξωτερική φλάντζα (13) και το δίσκο (11).

Τοποθέτηση και αφαίρεση δίσκων λείανσης (εικ. D & E)

Για λείανση, απαιτείται ένα υπόθεμα. Το υπόθεμα είναι διαθέσιμο από τον έμπορο της Stanley Fat Max ως αξεσουάρ.

Τοποθέτηση

- ◆ Τοποθετήστε την εσωτερική φλάντζα (10) στον άξονα(5) όπως φαίνεται (εικ. E). Βεβαιωθείτε ότι η φλάντζα τοποθετείται σωστά στις επίπεδες πλευρές του άξονα.
- ◆ Τοποθετήστε το υπόθεμα (15) στον άξονα.
- ◆ Τοποθετήστε το δίσκο λείανσης (16) επάνω στο υπόθεμα.
- ◆ Τοποθετήστε την εξωτερική φλάντζα (13) επάνω στον άξονα, με το υπερυψωμένο κέντρο να δείχνει αντίθετα από το δίσκο.
- ◆ Κρατήστε την ασφάλιση άξονα (3) πιεσμένη και σφίξτε την εξωτερική φλάντζα χρησιμοποιώντας το κλειδί με τις δύο ακίδες (14) (εικ. D). Βεβαιωθείτε ότι η εξωτερική φλάντζα έχει τοποθετηθεί σωστά και ότι ο δίσκος είναι καλά σφιγμένος.

Αφαίρεση

- ◆ Κρατήστε την ασφάλιση άξονα (3) πιεσμένη και χαλαρώστε την εξωτερική φλάντζα (13) χρησιμοποιώντας το κλειδί με τις δύο ακίδες (14) (εικ. D).
- ◆ Αφαιρέστε την εξωτερική φλάντζα (13), το δίσκο λείανσης (16) και το υπόθεμα (15).

Χρήση

Προειδοποίηση! Αφήστε το εργαλείο να λειτουργήσει με το δικό του ρυθμό. Μην το υπερφορτώνετε.

- ◆ Καθοδηγείτε προσεκτικά το καλώδιο ώστε να αποφευχθεί το ενδεχόμενο να κοπεί κατά λάθος.
- ◆ Να είστε προετοιμασμένοι για μια ροή σπινθήρων όταν ο δίσκος λείανσης ή κοπής ακουμπήσει το κατεργαζόμενο τεμάχιο.
- ◆ Πάντα τοποθετείτε το εργαλείο με τέτοιο τρόπο ώστε ο προφυλακτήρας να παρέχει τη βέλτιστη προστασία από το δίσκο λείανσης ή κοπής.

Ενεργοποίηση και απενεργοποίηση του εργαλείου

- ◆ Για να ενεργοποιήσετε, σπρώξτε το διακόπτη λειτουργίας (1) προς τα εμπρός και πιέστε τον μέσα. Σημειώστε ότι το εργαλείο θα συνεχίσει να λειτουργεί όταν απελευθερώσετε το διακόπτη.
- ◆ Για να θέσετε το εργαλείο εκτός λειτουργίας, πατήστε το πίσω μέρος του διακόπτη on/off.

Προειδοποίηση! Μην απενεργοποιείτε το εργαλείο ενώ βρίσκεται υπό φορτίο.

Συμβουλές για άριστη χρήση

- ◆ Κρατήστε γερά το εργαλείο με το ένα χέρι γύρω από την πλευρική λαβή και το άλλο γύρω από την κύρια λαβή.
- ◆ Κατά τη λείανση, πάντοτε διατηρείτε μια γωνία περ. 15° μεταξύ του δίσκου και της επιφάνειας του κατεργαζόμενου τεμαχίου.

Συντήρηση

Αυτή η συσκευή/εργαλείο με καλώδιο/χωρίς καλώδιο της Stanley Fat Max έχει σχεδιαστεί έτσι ώστε να λειτουργεί για μεγάλο χρονικό διάστημα με την ελάχιστη δυνατή συντήρηση. Η αδιάλειπτη και ικανοποιητική λειτουργία εξαρτάται από τη σωστή φροντίδα του εργαλείου και τον τακτικό καθαρισμό του.

Προειδοποίηση! Πριν πραγματοποιήσετε οποιαδήποτε συντήρηση σε ηλεκτρικά εργαλεία με καλώδιο/χωρίς καλώδιο:

- ◆ Απενεργοποιήστε και αποσυνδέστε τη συσκευή/εργαλείο από την πρίζα.
- ◆ Ή απενεργοποιήστε και αφαιρέστε την μπαταρία από τη συσκευή/εργαλείο εάν η συσκευή/εργαλείο διαθέτει ξεχωριστή μπαταρία.
- ◆ Η χρησιμοποίησή της μπαταρίας μέχρι να αδειάσει εντελώς και στη συνέχεια απενεργοποιήστε.
- ◆ Πριν καθαρίσετε το φορτιστή, αποσυνδέστε τον από την πρίζα. Ο φορτιστής σας δεν απαιτεί κάποια συντήρηση εκτός του τακτικού καθαρισμού.
- ◆ Να καθαρίζετε τακτικά τις εγχοπές εξαιρισμού της συσκευής/εργαλείου/φορτιστή με μια μαλακή βούρτσα ή με ένα στεγνό πανί.
- ◆ Να καθαρίζετε τακτικά το περίβλημα του μοτέρ με ένα υγρό πανί. Μην χρησιμοποιείτε λειαντικά ή υγρά καθαρισμού που περιέχουν διαλυτικά.
- ◆ Να ανοίγετε τακτικά το τσοκ και να το χτυπάτε ελαφρά για να αφαιρείται η σκόνη από το εσωτερικό του (εφόσον εφαρμόζεται).

Αντικατάσταση του ρευματολήπτη (H.B. & Ιρλανδία μόνο)

Αν χρειαστεί να εγκαταστήσετε έναν καινούριο ρευματολήπτη (φίς):

- ◆ Απορρίψτε με ασφαλή τρόπο το παλιό φίς.
- ◆ Συνδέστε τον καφέ αγωγό στον ηλεκτροφόρο ακροδέκτη του νέου ρευματολήπτη.
- ◆ Συνδέστε τον μπλε αγωγό στον ουδέτερο ακροδέκτη.

Προειδοποίηση! Δε χρειάζεται καμία σύνδεση στον ακροδέκτη γείωσης. Ακολουθήστε τις οδηγίες τοποθέτησης που παρέχονται με τους καλής ποιότητας ρευματολήπτες (φίς). Προτεινόμενη ασφάλεια τήξης: 13 Α.

Προστασία του περιβάλλοντος



Ξεχωριστή περισυλλογή. Αυτό το προϊόν δεν πρέπει να απορρίπτεται μαζί με τα κοινά οικιακά απορρίμματα.

Εάν κάποια μέρα διαπιστώσετε ότι το προϊόν σας Stanley Fat Max χρειάζεται αντικατάσταση ή ότι δεν το χρειάζεστε άλλο, μην το απορρίψετε μαζί με τα κοινά οικιακά απορρίμματα αλλά διαθέστε αυτό το προϊόν για ξεχωριστή περισυλλογή.



Η ξεχωριστή περισυλλογή των μεταχειρισμένων προϊόντων και των υλικών συσκευασίας επιτρέπει την ανακύκλωση και επαναχρησιμοποίηση των υλικών.

Με την επαναχρησιμοποίηση των ανακυκλωμένων υλικών αποτρέπεται η μόλυνση του περιβάλλοντος και μειώνεται η ζήτηση πρώτων υλών.

Οι κανονισμοί που ισχύουν στην περιοχή σας ενδέχεται να προβλέπουν την ξεχωριστή περισυλλογή των ηλεκτρικών συσκευών που προέρχονται από νοικοκυριά σε δημοτικές εγκαταστάσεις ή από τον έμπορο όταν αγοράσετε ένα καινούργιο προϊόν.

Η Stanley Europe δίνει τη δυνατότητα ανακύκλωσης των προϊόντων της Stanley Fat Max που έχουν συμπληρώσει τη διάρκεια ζωής τους. Για να χρησιμοποιήσετε αυτήν την υπηρεσία, επιστρέψτε το προϊόν σας σε οποιοδήποτε εξουσιοδοτημένο κέντρο επισκευών, όπου θα το παραλάβουν εκ μέρους μας.

Ενημερωθείτε για το πλησιέστερο εξουσιοδοτημένο κέντρο επισκευών της περιοχής σας, επικοινωνώντας με τα γραφεία της Stanley Europe στη διεύθυνση που αναγράφεται στο εγχειρίδιο. Επίσης, μια λίστα με τα εξουσιοδοτημένα κέντρα επισκευών της Stanley Europe και πλήρεις λεπτομέρειες για τις υπηρεσίες που παρέχονται μετά την πώληση καθώς και στοιχεία επικοινωνίας υπάρχουν στο Διαδίκτυο, στη διεύθυνση: www.2helpU.com

Τεχνικά χαρακτηριστικά

		FME811 (Τύπος 1)	FME812 (Τύπος 1)
Τάση εισόδου	V _{ac}	230	230
Ισχύς εισόδου	W	850	850
Ταχύτητα χωρίς φορτίο	min ⁻¹	12,000	12,000
Διάμετρος δίσκου	mm	115	125
Μέγεθος οπής δίσκου	mm	22	22
Μέγ. πάχος δίσκου			
δίσκοι λείανσης	mm	6	6
δίσκοι κοπής	mm	3.5	3.5
Μέγεθος άξονα		M14	M14
Βάρος	kg	2.1	2.1

L_{pA} (ηχητική πίεση) 94.5 dB(A), Αβεβαιότητα (K) 3 dB(A)
L_{WA} (ηχητική ισχύς) 105.5 dB(A), Αβεβαιότητα (K) 3 dB(A)
Συνολικές τιμές δόνησης (διανυσματικό άθροισμα τριών αξόνων) κατά EN 60745:
Λείανση επιφάνειας ($a_{h,SG}$) 9.9 m/s ² , αβεβαιότητα (K) 1.5 m/s ²
Αποκοπή ($a_{h,CW}$) 9.1 m/s ² , αβεβαιότητα (K) 1.5 m/s ²
Στίλβωση ($a_{h,P}$) 5.0 m/s ² , αβεβαιότητα (K) 1.5 m/s ²
Λείανση με δίσκο ($a_{h,DS}$) 3.3 m/s ² , αβεβαιότητα (K) 1.5 m/s ²
Χρήση συρματόβουρτσας ($a_{h,I}$) 9.2 m/s ² , αβεβαιότητα (K) 1.5 m/s ²

Δήλωση συμμόρφωσης ΕΚ

ΟΔΗΓΙΑ ΠΕΡΙ ΜΗΧΑΝΗΜΑΤΩΝ



FME811 / FME812

Η Stanley Europe δηλώνει ότι τα προϊόντα αυτά που περιγράφονται στα "τεχνικά χαρακτηριστικά" συμμορφώνονται με:

2006/42/ΕΚ, EN 60745-1, EN 60745-2-3

Αυτά τα προϊόντα συμμορφώνονται επίσης με την Οδηγία 2004/108/ΕΚ και 2011/65/ΕΕ. Για περισσότερες πληροφορίες, παρακαλείστε να επικοινωνήσετε με την Stanley Europe στην παρακάτω διεύθυνση ή να ανατρέξετε στο πίσω μέρος του εγχειριδίου.

Ο κάτωθι υπογεγραμμένος είναι υπεύθυνος για την κατάρτιση του τεχνικού φακέλου και δηλώνει τα παρόντα εκ μέρους της Stanley Europe.

Kevin Hewitt
Αντιπρόεδρος παγκόσμιας μηχανικής
Stanley Europe, Egide Walschaertsstraat 14-18,
2800 Mechelen, Belgium
19/04/2013

Εγγύηση

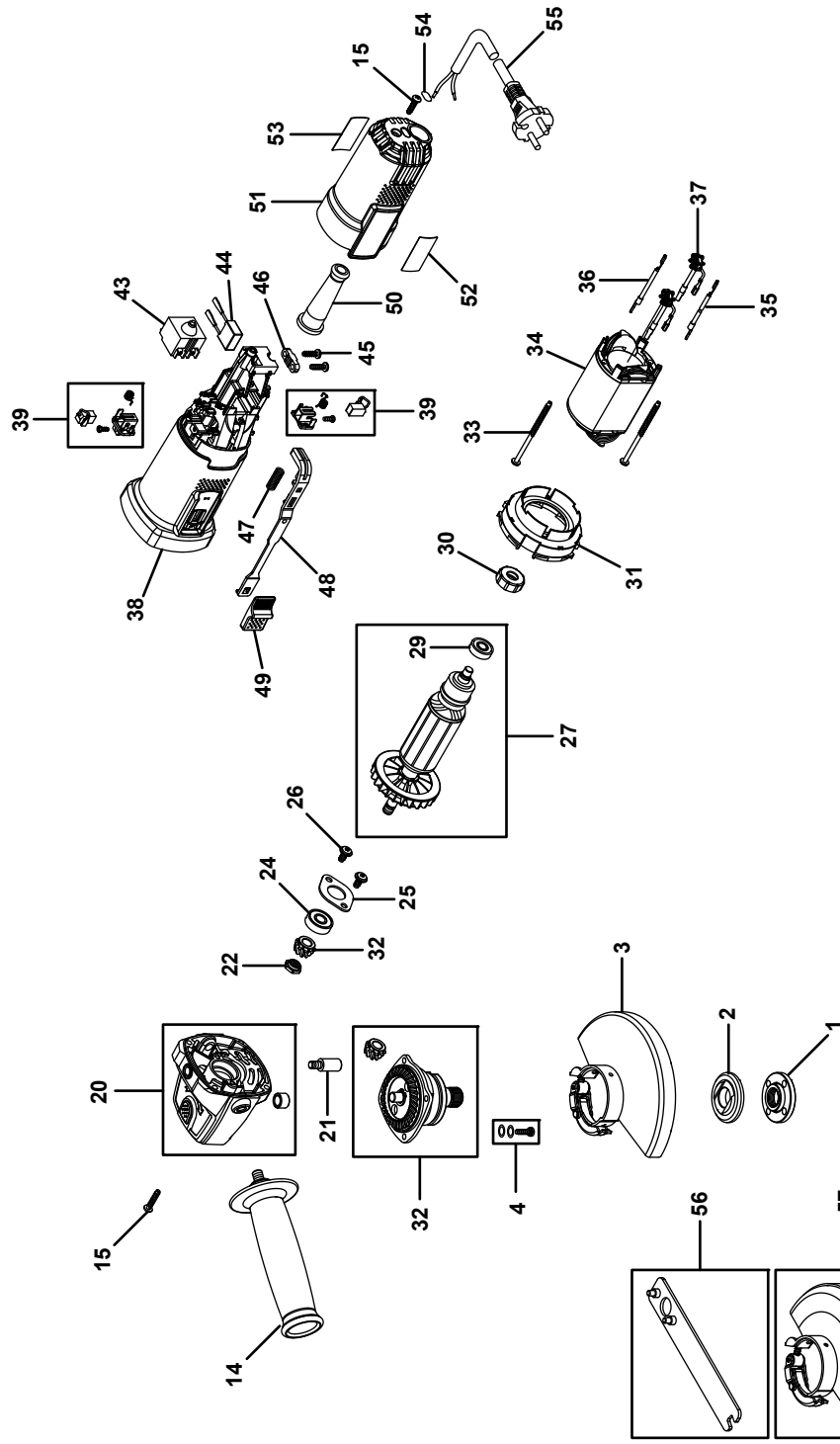
Η Stanley Europe είναι σίγουρη για την ποιότητα των προϊόντων της και παρέχει μια εξαιρετική εγγύηση για τους επαγγελματίες χρήστες του προϊόντος. Αυτή η δήλωση εγγύησης είναι επιπρόσθετη στα και δεν επηρεάζει με κανένα τρόπο τα συμβατικά δικαιώματά σας ως ιδιώτη μη επαγγελματία χρήστη. Η εγγύηση ισχύει εντός της επικράτειας των Κρατών Μελών της Ευρωπαϊκής Ένωσης και της Ευρωπαϊκής Ζώνης Ελευθέρων Συναλλαγών.

ΠΛΗΡΗΣ ΕΓΓΥΗΣΗ ΕΝΟΣ ΕΤΟΥΣ

Εάν το προϊόν σας Stanley Fat Max καταστεί ελαττωματικό λόγω ελαττωματικών υλικών ή εργασίας εντός 12 μηνών από την ημερομηνία αγοράς, η Stanley Ευρώπη αναλαμβάνει να αντικαταστήσει όλα τα ελαττωματικά μέρη δωρεάν ή – κατά την κρίση μας – να αντικαταστήσει τη μονάδα χωρίς χρέωση, υπό τον όρο ότι:

- ◆ Το προϊόν δεν έχει υποστεί κακομεταχείριση και έχει χρησιμοποιηθεί σύμφωνα με το εγχειρίδιο οδηγιών.
- ◆ Το προϊόν έχει υποβληθεί σε φυσιολογική φθορά.
- ◆ Δεν έχει γίνει προσπάθεια επισκευής από μη εξουσιοδοτημένα άτομα.
- ◆ Υπάρχει απόδειξη αγοράς.
- ◆ Το προϊόν Stanley Fat Max επιστρέφεται πλήρες, με όλα τα αυθεντικά εξαρτήματα

Εάν επιθυμείτε να γεμίσετε αξιώσεις, επικοινωνήστε με τον πωλητή σας ή ελέγξτε την τοποθεσία του πλησιέστερου εξουσιοδοτημένου κέντρου επισκευών Stanley Fat Max στον κατάλογο της Stanley Fat Max ή επικοινωνήστε με το τοπικό σας γραφείο της Stanley στη διεύθυνση που αναγράφεται στο παρόν εγχειρίδιο. Εναλλακτικά, μια λίστα με τα εξουσιοδοτημένα κέντρα επισκευών της Stanley Fat Max και πλήρεις λεπτομέρειες για τις υπηρεσίες που παρέχονται μετά την πώληση διατίθενται στο Διαδίκτυο, στη διεύθυνση: www.stanley.eu/3



België/Belgique	Stanley Fat Max E. Walschaertstraat 14-16 2800 Mechelen Belgium	De. Tel. +32 70 220 065 Fr. Tel. +32 70 220 066 Fax +32 15 473 799 www.stanleytools.eu Enduser.be@SBDinc.com
Danmark	Stanley Fat Max Farveland 1B 2600 Glostrup	Tel. 70 20 15 10 Fax 70 22 49 10 www.stanleyworks.dk
Deutschland	Stanley Fat Max Richard Klinger Str. 11, D - 65510 Idstein	Tel. 06126 21-1 Fax 06126 21-2770
Ελλάδα	Stanley Fat Max. Στράβωνος 7 & Λεωφ. Βουλιαγμένης 159 Γλυφάδα 166 74 - Αθήνα	Τηλ. +30 210 8981-616 Φαξ +30 210 8983-285 www.stanleyworks.gr
España	Stanley Fat Max. Parc de Negocis "Mas Blau" Edificio Muntadas, c/Bergadá, 1, Of. A6 08820 El Prat de Llobregat (Barcelona)	Tel. 934 797 400 Fax 934 797 419 respuesta.postventa@sbdinc.com www.stanleyworks.es
France	Stanley Fat Max 5 allée des Hêtres B.P. 30084 69579 Limonest Cédex	Tel. 04 72 20 39 20 Fax 04 72 20 39 00 www.stanleyouillage.fr
Helvetia	Stanley Fat Max In der Luberzen 40 8902 Urdorf	Tel. 01 730 67 47 Fax 01 730 70 67 www.stanleyworks.de
Italia	Stanley Fat Max EnergyPark-Building 03 sud, Via Monza 7/A 20871 Vimercate (MB)	Tel. 039-9590200 Fax 039-9590313 www.stanley.it
Nederland	Stanley Fat Max Joulehof 12, 4600 RG Bergen op Zoom	Tel. +31 164 283 065 Fax +31 164 283 200 Enduser.NL@SBDinc.com
Norge	Stanley Fat Max Postboks 4613, Nydalen 0405 Oslo	Tlf. 45 25 13 00 Fax 45 25 08 00
Österreich	Stanley Fat Max Oberlaaerstraße 248, A-1230 Wien	Tel. 01 66116-0 Fax 01 66116-614 www.stanleyworks.de
Portugal	Stanley Fat Max Centro de Escritórios de Sintra Avenida Almirante Gago Coutinho, 132/134, Edifício 142710-418 Sintra 2710-418 Lisboa	Tel. 214667500 Fax 214667575 resposta.posvenda@sbdinc.com
Suomi	Stanley Fat Max Tekniikkatie 12, 02150 Espoo	Puh. 010 400 430 Faksi 0800 411 340 www.stanleyworks.fi
Sverige	Stanley Fat Max Box 94, 431 22 Mölndal	Tel. 031-68 61 00 Fax 031-68 60 08
Türkiye	Stanley Fat Max KALE Hırdavat ve Makina A.Ş. Defterdar Mah. Savaklar Cad. No:15 Edirnekapı / Eyüp / İSTANBUL 34050	Puh. 0212 533 52 55 Faks 0212 533 10 05 www.stanleyworks.fi
United Kingdom	Stanley Fat Max 210 Bath Road Slough, Berkshire SL1 3YD	Tel. +44 (0)1753 511234 Fax +44 (0)1753 551155 www.stanleytools.co.uk
Middle East & Africa	Stanley Fat Max P.O.Box - 17164 Jebel Ali (South Zone), Dubai, UAE	Tel. +971 4 8127400 Fax +971 4 8127036 www.stanleyworks.ae