

DEWALT®

www.DEWALT.com

D25892

English (**original instructions**)

3

Русский (*перевод с оригинала инструкции*)

9

Türkçe (*orijinal talimatlardan çevrilmiştir*)

18

Англійська (*оригінальні інструкції*)

26

Fig. A

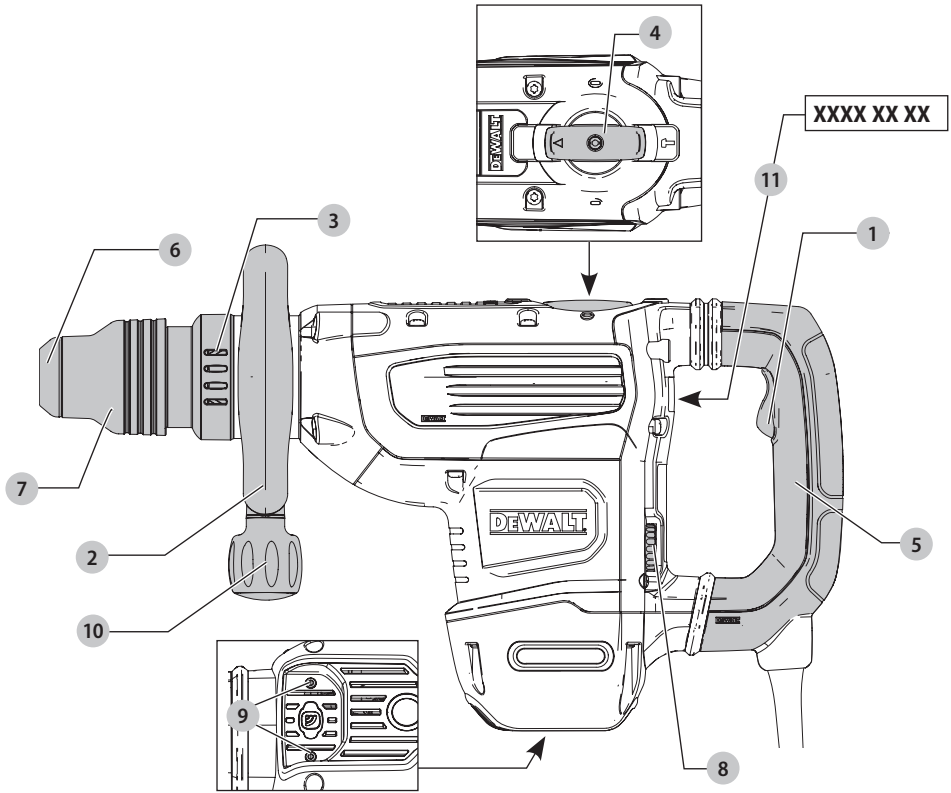


Fig. B

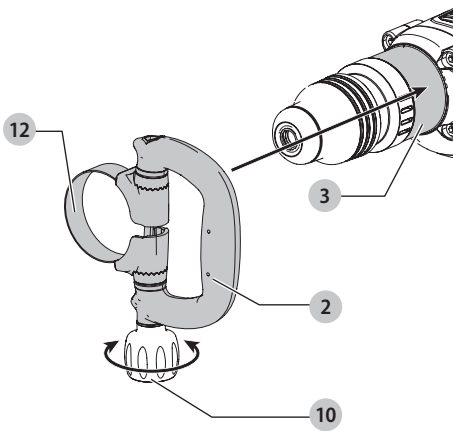


Fig. C

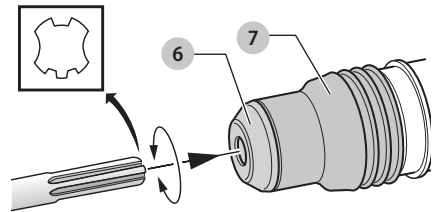


Fig. D

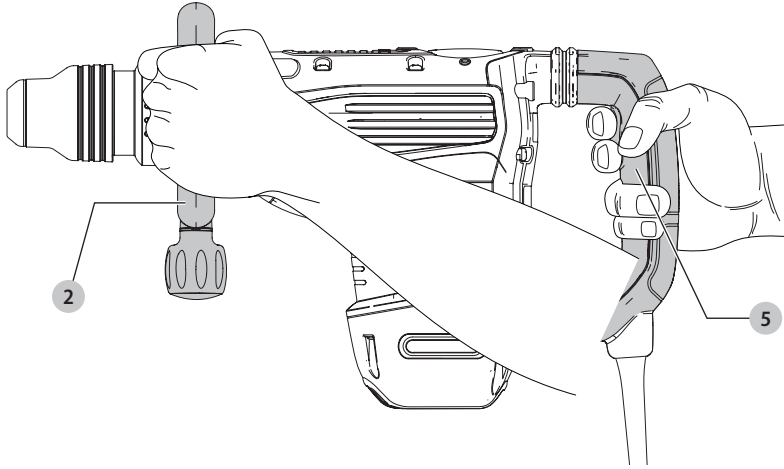
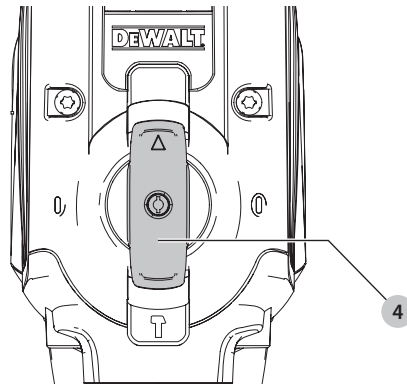


Fig. E



HEAVY-DUTY CHIPPING HAMMER

D25892

Congratulations!

You have chosen a DEWALT tool. Years of experience, thorough product development and innovation make DEWALT one of the most reliable partners for professional power tool users.

Technical Data

		D25892
Voltage	V _{Kc}	230
UK & Ireland	V _{Kc}	230/115
Type		1
Frequency	Hz	50
Power Input	W	1700
No-load beats per minute	bpm	1105–2210
Single impact energy (EPTA 05/2009)	J	19.4
Max. Impact Joule	J	22.7
Tool holder		SDS MAX
Weight (including handle)	kg	10.0
Noise and vibration total values (triax vector sum) according to EN60745-2-6:		
L _{PA} (emission sound pressure level)	dB(A)	90
L _{WA} (sound power level)	dB(A)	101
K (uncertainty for the given sound level)	dB(A)	3
Chiselling		
Vibration emission value a _{h,ChEQ} =	m/s ²	13.5*
Uncertainty K =	m/s ²	1.5

*Measured at the side handle. Side handle vibration is higher than vibration at the main handle.

The vibration and/or noise emission level given in this information sheet has been measured in accordance with a standardised test given in EN60745 and may be used to compare one tool with another. It may be used for a preliminary assessment of exposure.



WARNING: The declared vibration and/or noise emission level represents the main applications of the tool. However if the tool is used for different applications, with different accessories or poorly maintained, the vibration and/or noise emission may differ. This may significantly increase the exposure level over the total working period.

An estimation of the level of exposure to vibration and/or noise should also take into account the times when the tool is switched off or when it is running but not actually doing the job. This may significantly reduce the exposure level over the total working period.

Identify additional safety measures to protect the operator from the effects of vibration and/or noise such as: maintain the tool and the accessories, keep the hands warm (relevant for vibration), organisation of work patterns.

EC-Declaration of Conformity

Machinery Directive



Heavy-Duty Chipping Hammer D25892

DEWALT declares that these products described under

Technical Data are in compliance with:

2006/42/EC, EN60745-1:2009+A11:2010, EN60745-2-6:2010.

2000/14/EC, Electrical concrete breaker (hand-held), m ≤ 15 kg, Annex VIII, TÜV Rheinland LGA Products GmbH (0197), D-90431 Nürnberg, Germany, Notified Body ID No.: 0197.

Level of sound power according to 2000/14/EC (Article 12, Annex III, No. 10; m ≤ 15 kg):

L_{WA} (measured sound power level) dB(A) 101

L_{WA} (guaranteed sound power level) dB(A) 103

These products also comply with Directive 2014/30/EU and 2011/65/EU. For more information, please contact DEWALT at the following address or refer to the back of the manual.

The undersigned is responsible for compilation of the technical file and makes this declaration on behalf of DEWALT.

Markus Rompel

Vice-President Engineering, PTE-Europe
DEWALT, Richard-Klinger-Straße 11,
D-65510, Idstein, Germany
02.11.2017



WARNING: To reduce the risk of injury, read the instruction manual.

Definitions: Safety Guidelines

The definitions below describe the level of severity for each signal word. Please read the manual and pay attention to these symbols.



DANGER: Indicates an imminently hazardous situation which, if not avoided, **will** result in **death or serious injury**.



WARNING: Indicates a potentially hazardous situation which, if not avoided, **could** result in **death or serious injury**.



CAUTION: Indicates a potentially hazardous situation which, if not avoided, **may** result in **minor or moderate injury**.

NOTICE: Indicates a practice **not related to personal injury** which, if not avoided, **may** result in **property damage**.



Denotes risk of electric shock.



Denotes risk of fire.

GENERAL POWER TOOL SAFETY WARNINGS



WARNING: Read all safety warnings, instructions, illustrations and specifications provided with this power tool. Failure to follow all instructions listed below may result in electric shock, fire and/or serious injury.

SAVE ALL WARNINGS AND INSTRUCTIONS FOR FUTURE REFERENCE.

The term "power tool" in the warnings refers to your mains-operated (corded) power tool or battery-operated (cordless) power tool.

1) Work Area Safety

- Keep work area clean and well lit.** Cluttered or dark areas invite accidents.
- Do not operate power tools in explosive atmospheres, such as in the presence of flammable liquids, gases or dust.** Power tools create sparks which may ignite the dust or fumes.
- Keep children and bystanders away while operating a power tool.** Distractions can cause you to lose control.

2) Electrical Safety

- Power tool plugs must match the outlet. Never modify the plug in any way. Do not use any adapter plugs with earthed (grounded) power tools.** Unmodified plugs and matching outlets will reduce risk of electric shock.
- Avoid body contact with earthed or grounded surfaces, such as pipes, radiators, ranges and refrigerators.** There is an increased risk of electric shock if your body is earthed or grounded.
- Do not expose power tools to rain or wet conditions.** Water entering a power tool will increase the risk of electric shock.
- Do not abuse the cord. Never use the cord for carrying, pulling or unplugging the power tool. Keep cord away from heat, oil, sharp edges or moving parts.** Damaged or entangled cords increase the risk of electric shock.
- When operating a power tool outdoors, use an extension cord suitable for outdoor use.** Use of a cord suitable for outdoor use reduces the risk of electric shock.
- If operating a power tool in a damp location is unavoidable, use a residual current device (RCD) protected supply.** Use of an RCD reduces the risk of electric shock.

3) Personal Safety

- Stay alert, watch what you are doing and use common sense when operating a power tool. Do not use a power tool while you are tired or under the influence of drugs, alcohol or medication.** A moment of inattention while operating power tools may result in serious personal injury.

- Use personal protective equipment. Always wear eye protection.** Protective equipment such as a dust mask, non-skid safety shoes, hard hat or hearing protection used for appropriate conditions will reduce personal injuries.
- Prevent unintentional starting. Ensure the switch is in the off-position before connecting to power source and/or battery pack, picking up or carrying the tool.** Carrying power tools with your finger on the switch or energising power tools that have the switch on invites accidents.
- Remove any adjusting key or wrench before turning the power tool on.** A wrench or a key left attached to a rotating part of the power tool may result in personal injury.
- Do not overreach. Keep proper footing and balance at all times.** This enables better control of the power tool in unexpected situations.
- Dress properly. Do not wear loose clothing or jewellery. Keep your hair and clothing away from moving parts.** Loose clothes, jewellery or long hair can be caught in moving parts.
- If devices are provided for the connection of dust extraction and collection facilities, ensure these are connected and properly used.** Use of dust collection can reduce dust-related hazards.
- Do not let familiarity gained from frequent use of tools allow you to become complacent and ignore tool safety principles.** A careless action can cause severe injury within a fraction of a second.

4) Power Tool Use and Care

- Do not force the power tool. Use the correct power tool for your application.** The correct power tool will do the job better and safer at the rate for which it was designed.
- Do not use the power tool if the switch does not turn it on and off.** Any power tool that cannot be controlled with the switch is dangerous and must be repaired.
- Disconnect the plug from the power source and/or remove the battery pack, if detachable, from the power tool before making any adjustments, changing accessories, or storing power tools.** Such preventive safety measures reduce the risk of starting the power tool accidentally.
- Store idle power tools out of the reach of children and do not allow persons unfamiliar with the power tool or these instructions to operate the power tool.** Power tools are dangerous in the hands of untrained users.
- Maintain power tools and accessories. Check for misalignment or binding of moving parts, breakage of parts and any other condition that may affect the power tool's operation. If damaged, have the power tool repaired before use.** Many accidents are caused by poorly maintained power tools.
- Keep cutting tools sharp and clean.** Properly maintained cutting tools with sharp cutting edges are less likely to bind and are easier to control.

- g) **Use the power tool, accessories and tool bits etc. in accordance with these instructions, taking into account the working conditions and the work to be performed.** Use of the power tool for operations different from those intended could result in a hazardous situation.
- h) **Keep handles and grasping surfaces dry, clean and free from oil and grease.** Slippery handles and grasping surfaces do not allow for safe handling and control of the tool in unexpected situations.

5) Service

- a) **Have your power tool serviced by a qualified repair person using only identical replacement parts.** This will ensure that the safety of the power tool is maintained.

Additional Safety Instructions for Chipping Hammers

- **Wear ear protectors.** Exposure to noise can cause hearing loss.
- **Use auxiliary handle supplied with the tool.** Loss of control can cause personal injury.
- **Hold power tool by insulated gripping surfaces, when performing an operation where the cutting accessory may contact hidden wiring or its own cord.** Cutting accessory contacting a "live" wire may make exposed metal parts of the power tool "live" and could give the operator an electric shock.
- **Use clamps or other practical way to secure and support the workpiece to a stable platform.** Holding the work by hand or against your body is unstable and may lead to loss of control.
- **Wear safety goggles or other eye protection.** Hammering operations cause chips to fly. Flying particles can cause permanent eye damage. Wear a dust mask or respirator for applications that generate dust. Ear protection may be required for most applications.
- **Keep a firm grip on the tool at all times.** Do not attempt to operate this tool without holding it with both hands. It is recommended that the side handle be used at all times. Operating this tool with one hand will result in loss of control. Breaking through or encountering hard materials such as re-bar may be hazardous as well. Tighten the side handle securely before use.
- **Do not operate this tool for long periods of time.** Vibration caused by hammer action may be harmful to your hands and arms. Use gloves to provide extra cushion and limit exposure by taking frequent rest periods.
- **Do not recondition bits yourself.** Chisel reconditioning should be done by an authorized specialist. Improperly reconditioned chisels could cause injury.
- **Wear gloves when operating tool or changing bits.** Accessible metal parts on the tool and bits may get extremely hot during operation. Small bits of broken material may damage bare hands.
- **Never lay the tool down until the bit has come to a complete stop.** Moving bits could cause injury.

- **Do not strike jammed bits with a hammer to dislodge them.** Fragments of metal or material chips could dislodge and cause injury.
- **Slightly worn chisels can be resharpened by grinding.**
- **Keep the power cord away from the bit.** Do not wrap the cord around any part of your body. An electric cord wrapped around a spinning bit may cause personal injury and loss of control.



WARNING: We recommend the use of a residual current device with a residual current rating of 30mA or less.

Residual Risks

In spite of the application of the relevant safety regulations and the implementation of safety devices, certain residual risks cannot be avoided. These are:

- Impairment of hearing.
- Risk of personal injury due to flying particles.
- Risk of burns due to accessories becoming hot during operation.
- Risk of personal injury due to prolonged use.

SAVE THESE INSTRUCTIONS

Electrical Safety

The electric motor has been designed for one voltage only. Always check that the power supply corresponds to the voltage on the rating plate.



Your DEWALT tool is double insulated in accordance with EN60745; therefore no earth wire is required.

If the supply cord is damaged, it must be replaced only by DEWALT or an authorised service organisation.

Mains Plug Replacement (U.K. & Ireland Only)

If a new mains plug needs to be fitted:

- Safely dispose of the old plug.
- Connect the brown lead to the live terminal in the plug.
- Connect the blue lead to the neutral terminal.



WARNING: No connection is to be made to the earth terminal.

Follow the fitting instructions supplied with good quality plugs. Recommended fuse: 13 A.

Using an Extension Cable

If an extension cable is required, use an approved 3-core extension cable suitable for the power input of this tool (see **Technical Data**). The minimum conductor size is 1.5 mm²; the maximum length is 30 m.

When using a cable reel, always unwind the cable completely.

Package Contents

The package contains:

- 1 Chipping hammer
- 1 Side handle
- 1 Instruction manual
- *Check for damage to the tool, parts or accessories which may have occurred during transport.*
- *Take the time to thoroughly read and understand this manual prior to operation.*

Markings on Tool

The following pictograms are shown on the tool:



Read instruction manual before use.



Wear ear protection.



Wear eye protection.

Date Code Position (Fig. A)

The date code **11**, which also includes the year of manufacture, is printed into the housing.

Example:

2019 XX XX
Year of Manufacture

Description (Fig. A)



WARNING: Never modify the power tool or any part of it. Damage or personal injury could result.

- | | |
|-------------------------|--|
| 1 ON/OFF rocker switch | 8 Electronic speed and impact control dial |
| 2 Side handle | 9 DeWALT tool tag mounting holes |
| 3 Front Barrel (Collar) | 10 Screw for side handle mounting |
| 4 Mode selector dial | 11 Date code |
| 5 Main handle | |
| 6 Tool holder | |
| 7 Locking sleeve | |

Intended Use

Your chipping hammer has been designed for professional chiseling and chipping applications.

DO NOT use under wet conditions or in the presence of flammable liquids or gases.

Your chipping hammer is a professional power tool.

DO NOT let children come into contact with the tool. Supervision is required when inexperienced operators use this tool.

- **Young children and the infirm.** This appliance is not intended for use by young children or infirm persons without supervision.

- This product is not intended for use by persons (including children) suffering from diminished physical, sensory or mental abilities; lack of experience, knowledge or skills unless they are supervised by a person responsible for their safety. Children should never be left alone with this product.

Active Vibration Control (AVC) System

For best vibration control, hold the tool as described in **Proper Hand Position** and apply just enough pressure so the damping device on the main handle is approximately mid stroke.

The active vibration control neutralises rebound vibration from the hammer mechanism. Lowering hand and arm vibration, it allows more comfortable use for longer periods of time and extends the life of the unit.

The hammer only needs enough pressure to engage the active vibration control. Applying too much pressure will not make the tool chip faster and active vibration control will not engage.

DeWALT Tool Tag Ready (Fig. A)

Optional Accessory

Your hammer comes with DeWALT tool tag mounting holes **9** and fasteners for installing a DeWALT Tool Tag. You will need a T20 bit tip to install the tag. The DeWALT Tool Tag is designed for tracking and locating professional power tools, equipment, and machines using the DeWALT Tool Connect™ app. For proper installation of the DeWALT Tool Tag refer to the DeWALT Tool Tag manual.

Electronic Speed and Impact Control (Fig. A)

The electronic speed and impact control allows optimal tool control for precise chiseling.

To set the electronic speed and impact control dial **8**, turn the dial to the desired level. The higher the number, the greater the speed and impact energy. Dial settings make the tool extremely flexible and adaptable for many different applications. The required setting depends on the bit size and hardness of material being chiseled.

- When chiselling soft, brittle materials or when minimum break-out is required, set the dial to a low setting;
- When breaking harder materials, set the dial to a high setting.

ASSEMBLY AND ADJUSTMENTS



WARNING: To reduce the risk of serious personal injury, turn tool off and disconnect tool from power source before making any adjustments or removing/installing attachments or accessories. An accidental start-up can cause injury.

Side Handle (Fig. B)




WARNING: To reduce the risk of personal injury, ALWAYS operate the tool with the side handle properly installed. Failure to do so may result in the side handle slipping during tool operation and subsequent loss of control. Hold tool with both hands to maximize control.


The side handle **2** clamps to the front of the gear case and may be rotated 360° to permit right- or left-hand use.

Mounting the Side Handle Assembly (Fig. B)

1. Widen the ring opening **12** of the side handle **2** by rotating the screw for side handle mounting **10** anti-clockwise.
2. Slide the assembly onto the nose of the tool, through the steel ring **12** and onto the collar **3**, past the chisel holder and sleeve.
3. Rotate the side handle assembly to the desired position.
4. Lock the side handle mounting assembly in place by securely tightening the screw for side handle mounting **10** rotating it clockwise so that the assembly will not rotate.

Bit and Bit Holder

 **WARNING:** *Burn Hazard. ALWAYS wear gloves when changing bits. Accessible metal parts on the tool and bits may get extremely hot during operation. Small bits of broken material may damage bare hands.*

 **WARNING:** *Do not attempt to tighten or loosen chisel bits (or any other accessory) by gripping the front part of the chuck and turning the tool on. Damage to the chuck and personal injury may occur.*

The chipping hammer can be fitted with various chisel bits depending on the desired application. **Use sharp bits only.**

Inserting and Removing SDS MAX Bits (Fig. C)

NOTE: Accessories and attachments used must be lubricated around the SDS fitment before installation.

1. Pull back the locking sleeve **7** and insert the bit shank. The bit shank must be clean.
2. Turn the bit slightly until the sleeve snaps back into position.
3. Ensure the bit is properly engaged.
NOTE: The bit needs to move several centimeters in and out of the tool holder **6** when properly engaged.
4. To remove the bit, pull back the locking sleeve and pull the bit out.


Bit Position Adjustment


Turn the mode selector to bit adjustment icon (Refer to *Mode Selection*) to adjust the chisel to the desired position. There are multiple positions to set the angle of the chisel.

NOTE: After finding the desired position, slightly maneuver the chisel bit back and forth to ensure the chisel is properly engaged.


OPERATION

Instructions for Use

 **WARNING:** *Always observe the safety instructions and applicable regulations.*

 **WARNING:** *To reduce the risk of serious personal injury, turn tool off and disconnect tool from power source before making any adjustments or removing/ installing attachments or accessories. An accidental start-up can cause injury.*


Proper Hand Position (Fig. D)

 **WARNING:** *To reduce the risk of serious personal injury, ALWAYS use proper hand position as shown.*



 **WARNING:** *To reduce the risk of serious personal injury, ALWAYS hold securely in anticipation of a sudden reaction.*

Proper hand position requires one hand on the mounted side handle **2**, with the other hand on the main handle **5**.

Mode Selection (Fig. E)

 **WARNING:** *Do not select the operating mode when the tool is running. Tool must come to a complete stop before activating the mode selector button or damage to the tool may result.*

Your tool is equipped with a mode selector dial **4** to select the mode appropriate to desired operation.

Symbol	Mode	Application
	Bit Adjustment	Chisel bit position adjustment
	Hammering/ Chipping	Light chipping, chiseling and demolition

To Select a Mode

- Rotate the mode selector dial so that the arrow points to the symbol corresponding for the desired mode.

NOTE: The arrow on the mode selector dial **4** must be pointing at a mode symbol at all times. There are no operable positions in between.

Indexing the Chisel Position (Fig. E)

The chisel can be indexed and locked into 24 different positions.

1. Rotate the mode selector switch **4** until it points towards the **0** position.
2. Rotate the chisel in the desired position.
3. Set the mode selector switch **4** to the "Hammering/ Chipping" position.
4. Twist the chisel until it locks in position.

Performing an Application (Fig. A, E)

 **WARNING:** *TO REDUCE THE RISK OF PERSONAL INJURY, ALWAYS ensure workpiece is anchored or clamped firmly.*

NOTE: Operating temperature of this tool is 7 to +40 °C. Using the tool outside of this temperature range will decrease the life of the tool.

1. Insert the appropriate chisel and rotate it by hand to lock it into the desired position. Refer to *Bit and Bit Holder*.
2. Using the mode selector dial **4**, select chipping mode. Refer to *Mode Selection*.
3. Adjust the side handle **2** as necessary. Refer to *Mounting the Side Handle Assembly*.
4. Place the chisel on the desired location.
5. Depress the ON/OFF rocker switch **1**.
6. To stop the hammer, release the ON/OFF rocker switch.

MAINTENANCE

Your power tool has been designed to operate over a long period of time with a minimum of maintenance. Continuous satisfactory operation depends upon proper tool care and regular cleaning.



WARNING: To reduce the risk of serious personal injury, turn tool off and disconnect tool from power source before making any adjustments or removing/installing attachments or accessories. An accidental start-up can cause injury.



Lubrication

Your power tool requires no additional lubrication.



Cleaning



WARNING: Blow dirt and dust out of the main housing with dry air as often as dirt is seen collecting in and around the air vents. Wear approved eye protection and approved dust mask when performing this procedure.



WARNING: Never use solvents or other harsh chemicals for cleaning the non-metallic parts of the tool. These chemicals may weaken the materials used in these parts. Use a cloth dampened only with water and mild soap. Never let any liquid get inside the tool; never immerse any part of the tool into a liquid.

Optional Accessories



WARNING: Since accessories, other than those offered by DEWALT, have not been tested with this product, use of such accessories with this tool could be hazardous. To reduce the risk of injury, only DEWALT recommended accessories should be used with this product.

Consult your dealer for further information on the appropriate accessories.

Protecting the Environment



Separate collection. Products marked with this symbol must not be disposed of with normal household waste.

Products contain materials that can be recovered or recycled reducing the demand for raw materials.

Please recycle electrical products according to local provisions. Further information is available at www.2helpU.com.

ОТБОЙНЫЙ МОЛОТОК ДЛЯ ТЯЖЁЛЫХ РАБОТ D25892

Поздравляем!

Вы приобрели инструмент DEWALT. Многолетний опыт, тщательная разработка изделий и инновации делают компанию DEWALT одним из самых надёжных партнеров для пользователей профессионального электроинструмента.

Технические характеристики

		D25892
Напряжение	Вперем. тока	230
Тип		1
Частота	Гц	50
Потребляемая мощность	Вт	1700
Ударов в минуту без нагрузки	уд./мин	1105–2210
Энергия одного удара (EPTA 05/2009)	Дж	19,4
Максимум Импульс Джоуля	J	22,7
Держатель насадки	J	SDS MAX
Вес (включая рукоятку)	кг	10,0

Общие значения шума и вибрации (сумма триаксиального вектора), определенные в соответствии со стандартом EN60745-2-6:

L_{PA} (Уровень звукового давления)	дБ(А)	90
L_{WA} (Уровень звуковой мощности)	дБ(А)	101
K (погрешность для заданного уровня мощности)	дБ(А)	3

Дробление		
Значение эмиссии вибрации $a_{h, Cheq} =$	м/сек ²	13,5*
Погрешность K =	м/сек ²	1,5

*Измеряется в боковой рукоятке. Вибрации в боковой рукоятке выше вибраций в основной рукоятке.

Значение шумовой эмиссии и/или эмиссии вибрации, указанное в данном справочном листке, было получено в соответствии со стандартным тестом, приведенным в EN60745, и может использоваться для сравнения инструментов. Кроме того, оно может использоваться для предварительной оценки воздействия вибрации.

⚠ ОСТОРОЖНО! Заявленное значение шумовой эмиссии и/или эмиссии вибрации относится к основным областям применения инструмента. Однако, если инструмент используется для различных целей, с различными дополнительными принадлежностями или при ненадлежащем уходе, то уровень шума и/или вибрации может измениться. Это может привести к значительному увеличению уровня воздействия вибрации в течение всего рабочего периода.

При расчете приблизительного значения уровня воздействия шума и/или вибрации также

необходимо учитывать время, когда инструмент выключен или то время, когда он работает на холостом ходу. Это может привести к значительному снижению уровня воздействия вибрации в течение всего рабочего периода.

Определите дополнительные меры техники безопасности для защиты оператора от воздействия шума и/или вибрации, а именно: поддержание инструмента и дополнительных принадлежностей в рабочем состоянии, создание комфортных условий работы (соответствующих вибрации), хорошая организация рабочего места.

Декларация о соответствии нормам ЕС Директива по механическому оборудованию



Отбойный Молоток Для Тяжёлых Работ D25892

DeWALT заявляет, что продукция, описанная в **Технических характеристиках** соответствует:

2006/42/EC, EN60745-1:2009+A11:2010, EN60745-2-6:2010.

2000/14/EC, Электрический бетонолом (ручной), $m \leq 15$ кг, Приложение VIII, TÜV Rheinland LGA Products GmbH (0197), D-90431 Nürnberg, Германия, Идентификационный № уведомленного органа: 0197.

Уровень звуковой мощности в соответствии с директивой 2000/14/EC

(Статья 12, Приложение III, № 10; $m \leq 15$ кг):

L_{WA} (измеренная звуковая мощность) дБ(А) 101

L_{WA} (гарантированная звуковая мощность) дБ(А) 103

Эти продукты также соответствуют Директиве 2014/30/EU и 2011/65/EU. Для получения дополнительной информации обратитесь в компанию DEWALT по адресу, указанному ниже или приведенному на задней стороне обложки руководства.

Нижеподписавшийся несет ответственность за составление технической документации и составил данную декларацию по поручению компании DEWALT.

Маркус Ромпел

Вице-президент по инженерным разработкам, PTE-Europe
DEWALT, Richard-Klinger-Straße 11,
D-65510, Idstein, Germany
02.11.2017



ВНИМАНИЕ: Во избежание риска получения травм ознакомьтесь с инструкцией.

Обозначения: правила техники безопасности

Ниже описывается уровень опасности, обозначаемый каждым из предупреждений. Прочитайте руководство и обратите внимание на данные символы.



ОПАСНО: Обозначает опасную ситуацию, которая неизбежно приведет к **серьезной травме или смертельному исходу**, в случае несоблюдения соответствующих мер безопасности.



ВНИМАНИЕ: Указывает на потенциально опасную ситуацию, которая, в случае несоблюдения соответствующих мер безопасности, может привести к **серьезной травме или смертельному исходу**.



ПРЕДУПРЕЖДЕНИЕ: Указывает на потенциально опасную ситуацию, которая, в случае несоблюдения соответствующих мер безопасности, может стать причиной травм **средней или легкой степени тяжести**.

ПОЯСНЕНИЕ: Указывает на практики, использование которых не связано с получением травмы, но если ими пренебречь, могут привести к **порче имущества**.



Указывает на риск поражения электрическим током.



Указывает на риск возгорания.

ОБЩИЕ ПРАВИЛА ТЕХНИКИ БЕЗОПАСНОСТИ ПРИ ИСПОЛЬЗОВАНИИ ЭЛЕКТРОИНСТРУМЕНТОВ



ВНИМАНИЕ: Прочитайте и просмотрите все предупреждения, инструкции, иллюстрации и спецификации по данному электроинструменту. Несоблюдение всех приведенных ниже инструкций может стать причиной поражения электрическим током, возгорания и/или тяжелой травмы.

СОХРАНИТЕ ВСЕ ИНСТРУКЦИИ ДЛЯ ПОСЛЕДУЮЩЕГО ИСПОЛЬЗОВАНИЯ.

Термин «электроинструмент» в предупреждениях относится к работающим от сети (проводным) электроинструментам или работающим от аккумуляторной батареи (беспроводным) электроинструментам.

1) Безопасность на рабочем месте

- Следите за чистотой и хорошим освещением на рабочем месте.** Захламленное или плохо освещенное рабочее место может стать причиной несчастного случая.
- Запрещается работать с электроинструментами во взрывоопасных местах, например, вблизи легковоспламеняющихся жидкостей, газов и пыли.** Искры, которые появляются при

работе электроинструментов могут привести к воспламенению пыли или паров.

- Следите за тем, чтобы во время работы с электроинструментом в зоне работы не было посторонних и детей.** Отвлекаясь от работы вы можете потерять контроль над инструментом.

2) Электробезопасность

- Штепсельная вилка электроинструмента должна соответствовать розетке. Никогда не меняйте вилку инструмента. Запрещается использовать переходники к вилкам для электроинструментов с заземлением.** Использование оригинальных штепсельных вилок, соответствующих типу сетевой розетки снижает риск поражения электрическим током.
- Избегайте контакта с заземленными поверхностями, такими как трубы, радиаторы и холодильники.** Если вы будете заземлены, увеличивается риск поражения электрическим током.
- Запрещается оставлять электроинструмент под дождем и в местах повышенной влажности.** При попадании воды в электроинструмент риск поражения электротоком возрастает.
- Берегите кабель от повреждений. Никогда не используйте кабель для переноски инструмента, не тяните за него, пытайтесь отключить инструмент от сети. Держите кабель подальше от источников тепла, масла, острых углов или движущихся предметов.** Поврежденный или запутанный кабель питания повышает риск поражения электрическим током.
- При работе с электроинструментом на открытом воздухе используйте удлинитель, подходящий для использования на улице.** Использование кабеля питания, предназначенного для использования вне помещения, снижает риск поражения электрическим током.
- Если использование электроинструмента в условиях повышенной влажности неизбежно, используйте устройства защитного отключения (УЗО) для защиты сети.** Использование УЗО сокращает риск поражения электрическим током.

3) Обеспечение индивидуальной безопасности

- Будьте внимательны, смотрите, что делаете и не забывайте о здравом смысле при работе с электроинструментом. Запрещается работать с электроинструментом в состоянии усталости, наркотического, алкогольного опьянения или под воздействием лекарственных препаратов.** Невнимательность при работе с электроинструментом может привести к серьезным телесным повреждениям.

- b) **Используйте индивидуальные средства защиты. Всегда используйте защитные очки.** Средства защиты, такие как пылезащитная маска, обувь с нескользящей подошвой, каска и защитные наушники, используемые при работе, уменьшают риск получения травм.
- c) **Примите меры для предотвращения случайного включения. Перед тем как подключить электроинструмент к сети и/или аккумуляторной батарее, взять инструмент или перенести его на другое место, убедитесь в том, что выключатель находится в положении «Выкл.».** Если при переноске электроинструмента он подключен к сети, и при этом ваш палец находится на выключателе, это может стать причиной несчастных случаев.
- d) **Уберите все регулировочные или гаечные ключи перед включением электроинструмента.** Ключ, оставленный на вращающейся части электроинструмента, может привести к травме.
- e) **Не пытайтесь дотянуться до слишком удаленных поверхностей. Обувь должна быть удобной, чтобы вы всегда могли сохранять равновесие.** Это позволит лучше контролировать электроинструмент в непредвиденных ситуациях.
- f) **Одевайтесь соответствующим образом. Избегайте носить свободную одежду и ювелирные украшения. Следите за тем, чтобы волосы и одежда не попадали под движущиеся детали.** Возможно наматывание свободной одежды, ювелирных изделий и длинных волос на движущиеся детали.
- g) **При наличии устройств для подключения оборудования для удаления и сбора пыли необходимо обеспечить правильность их подключения и эксплуатации.** Использование устройства для пылеудаления сокращает риски, связанные с пылью.
- h) **Не позволяйте хорошему знанию от частого использования инструментов стать причиной самонадеянности и игнорирования правил техники безопасности.** Небрежное действие может повлечь серьезные травмы за долю секунды.
- 4) Эксплуатация электроинструмента и уход за ним**
- a) **Избегайте чрезмерной нагрузки электроинструмента. Используйте электроинструмент в соответствии с назначением.** Правильно подобранный электроинструмент выполнит работу более эффективно и безопасно при стандартной нагрузке.
- b) **Не пользуйтесь инструментом, если не работает выключатель.** Любой инструмент, управлять выключением и включением которого невозможно, опасен, и его необходимо отремонтировать.
- c) **Перед выполнением любых настроек, сменой аксессуаров или прежде чем убрать инструмент на хранение, отключите его от сети и/или снимите с него аккумуляторную батарею, если ее можно снять.** Такие превентивные меры безопасности сокращают риск случайного включения электроинструмента.
- d) **Храните электроинструмент в недоступном для детей месте и не позволяйте работать с инструментом людям, не имеющим соответствующих навыков работы с такого рода инструментами.** Электроинструмент представляет опасность в руках неопытных пользователей.
- e) **Поддерживайте электроинструмент и принадлежность в исправном состоянии. Проверьте, не нарушена ли центровка или не заклинены ли движущиеся детали, нет ли повреждений или иных неисправностей, которые могли бы повлиять на работу электроинструмента. В случае обнаружения повреждений, прежде чем приступить к эксплуатации электроинструмента, его нужно отремонтировать.** Большинство несчастных случаев происходит из-за электроинструментов, которые не обслуживаются должным образом.
- f) **Содержите режущий инструмент в остро заточенном и чистом состоянии.** Вероятность заклинивания инструмента, за которым следят должным образом и который хорошо заточен, значительно меньше, а работать с ним легче.
- g) **Используйте электроинструменты, принадлежности и насадки в соответствии с данными инструкциями, принимая во внимание условия работы и характер выполняемой работы.** Использование электроинструмента для выполнения операций, для которых он не предназначен, может привести к созданию опасных ситуаций.
- h) **Все рукоятки и поверхности захватывания должны быть сухими и без следов смазки.** Скользкие рукоятки и поверхности захватывания не позволяют обеспечить безопасность работы и управления инструментом в непредвиденных ситуациях.
- 5) Обслуживание**
- a) **Обслуживание электроинструмента должен проводить квалифицированный специалист с использованием только оригинальных запасных частей.** Это позволит обеспечить безопасность обслуживаемого электрифицированного инструмента.

Дополнительные правила техники безопасности при работе с отбойными молотками

- **Используйте защитные наушники.** Шум может стать причиной снижения слуха.
- **Пользуйтесь дополнительной рукояткой, входящей в комплект поставки инструмента.** Потеря контроля может привести к травме.
- **При выполнении работ, когда есть вероятность того, что режущий инструмент может коснуться скрытой проводки или собственного сетевого кабеля, держите силовой инструмент за изолированные поверхности.** Если вы держитесь за металлические детали инструмента, то в случае перерезания находящегося под напряжением провода, возможно поражение оператора электрическим током.
- **Используйте зажимы или другие уместные средства фиксации заготовки на устойчивой опоре.** Удержание заготовки рукой или прижимание ее к телу не обеспечивает устойчивости и может привести к потере контроля.
- **Всегда надевайте защитные очки или другое устройство защиты для глаз.** Во время сверления могут разлетаться кусочки стружки и частицы материала. Разлетающиеся осколки могут серьезно повредить глаза. Если во время работы образуется пыль, надевайте пылезащитную маску или респиратор. При выполнении многих работ нужно использовать защитные наушники.
- **Крепко держите инструмент во время работы.** Не пытайтесь работать данным инструментом, удерживая его одной рукой. При работе рекомендуется всегда использовать боковую рукоятку. В противном случае, это может привести к потере управления. Просверливание или касание таких твердых материалов, как арматурные стержни, также может представлять опасность. Перед использованием надежно затяните боковую рукоятку.
- **Не используйте данный инструмент в течение длительных промежутков времени.** Вибрация, вызываемая инструментом, может оказывать вредное воздействие на руки. Используйте перчатки, для обеспечения дополнительной амортизации и старайтесь ограничивать вредное воздействие за счет частых перерывов в работе.
- **Не меняйте самостоятельно форму насадок.** Менять форму долота может только авторизованный специалист. Ошибки в изменении формы могут привести к травме.
- **Работая с инструментом или меняя насадку, надевайте перчатки.** Выступающие металлические части инструмента и насадки могут очень сильно нагреваться во время работы. Частицы обрабатываемого материала могут стать причиной травмы незащищенных рук.

- **Никогда не кладите электроинструмент до тех пор, пока насадка полностью не остановится.** Движущаяся насадка может привести к травмам.
- **Не пытайтесь выбить застрявшую насадку молотком.** Таким образом можно получить травму от отколовшихся кусочков металла или материала.
- **Слегка изношенное долото можно заточить.**
- **Следите за тем, чтобы сетевая кабель не попал на насадку.** Не оборачивайте кабель вокруг любой части вашего тела. Провод, обернутый вокруг вращающейся насадки может привести к травме и потере управления.



ОСТОРОЖНО! Рекомендуется использовать устройство защитного отключения (УЗО) с током утечки до 30 мА.

Остаточные риски

Несмотря на соблюдение соответствующих инструкций по технике безопасности и использование предохранительных устройств, некоторые остаточные риски невозможно полностью исключить. А именно:

- ухудшение слуха;
- риск травм от разлетающихся частиц;
- риск получения ожогов в результате нагревания инструмента в процессе работы;
- риск получения травмы в результате продолжительной работы.

СОХРАНИТЕ НАСТОЯЩЕЕ РУКОВОДСТВО

Электробезопасность

Электродвигатель рассчитан на работу только при одном напряжении сети. Необходимо обязательно убедиться в том, что напряжение источника питания соответствует указанному на шильдике устройства. Необходимо также убедиться в том, что напряжение работы зарядного устройства соответствует напряжению в сети.



Зарядное устройство DeWALT оснащено двойной изоляцией в соответствии с требованиями EN60745; поэтому провод заземления не требуется.

В случае повреждения кабеля питания его необходимо заменить специально подготовленным кабелем, который можно приобрести в сервисных центрах DeWALT.

Использование удлинительного кабеля

Используйте удлинитель только в случаях крайней необходимости. Используйте только утвержденные удлинители промышленного изготовления, рассчитанные на мощность не меньшую, чем потребляемая мощность зарядного устройства (см. **Технические характеристики**). Минимальное поперечное сечение провода электрического кабеля должно составлять 1 мм²; максимальная длина 30 м. При использовании кабельного барабана всегда полностью разматывайте кабель.

Комплектация поставки

В комплектацию входит:

- 1 Отбойный молоток
 - 1 Боковая рукоятка
 - 1 Руководство по эксплуатации
- Проверьте на наличие повреждений инструмента, его деталей или дополнительных принадлежностей, которые могли возникнуть во время транспортировки.
 - Перед эксплуатацией внимательно прочтите данное руководство.

Маркировка на инструменте

На инструмент нанесены следующие обозначения:



Перед началом работы прочтите руководство по эксплуатации.



Используйте защитные наушники.



Используйте защитные очки.

Место положения кода даты (Рис. [Fig.] А)

Код даты **11**, который также включает в себя год изготовления, отштампован на поверхности корпуса инструмента.

Пример:

2019 XX XX
Год изготовления

Описание (Рис. А)



ОСТОРОЖНО: Никогда не вносите изменения в конструкцию электроинструмента или какой-либо его части. Это может привести к повреждению или травме.

- | | |
|--|--|
| 1 Двухпозиционный кулисный переключатель | 7 Зажимное кольцо |
| 2 Боковая рукоятка | 8 Электронный регулятор скорости и ударов |
| 3 Передний поршень (муфта) | 9 Монтажные отверстия для метки инструмента DeWALT |
| 4 Регулятор переключения режимов | 10 Винт для установки боковой рукоятки |
| 5 Основная рукоятка | 11 Код даты |
| 6 Держатель насадки | |

Сфера применения

Данный отбойный молоток был разработан для разрушения конструкций.

НЕ используйте в условиях повышенной влажности или близости от легковоспламеняющихся жидкостей или газов.

Данный отбойный молоток является профессиональным электроинструментом.

НЕ допускайте детей к инструменту. Использование инструмента неопытными пользователями должно происходить под контролем опытного коллеги.

- Данный инструмент не предназначен для использования лицами (включая детей) с ограниченными физическими, психическими и умственными возможностями, не имеющими опыта, знаний или навыков работы с ним, если они не находятся под наблюдением лица, ответственного за их безопасность. Никогда не оставляйте детей без присмотра с этим инструментом.

Система активной регулировки вибраций (AVC)

Для наилучшего контроля вибраций, держите инструмент способом, описанным в разделе **«Правильное положение рук»** и прилагайте ровно столько усилия, чтобы демпфирующее устройство на основной рукоятке находилось примерно на середине хода.

Активный контроль вибрации нейтрализует вибрацию отдачи от механизма перфоратора. Снижение уровня вибрации, передаваемой на руки, позволяет оператору более комфортно работать в течение длительного периода времени и увеличивает срок службы инструмента.

Перфоратору требуется только достаточное давление для срабатывания активного контроля вибрации. Чрезмерное давление не увеличит производительность, а активный контроль вибрации не будет задействован.

Возможность установки метки инструмента DeWALT (Рис. А)

Дополнительная принадлежность

Отбойный молоток оснащен монтажными отверстиями метки инструмента DeWALT **9** и крепежными деталями для установки метки инструмента DeWALT. Вам понадобится насадка T20 для установки метки. Метка инструмента DeWALT предназначена для отслеживания и поиска профессиональных электроинструментов, оборудования и машин с помощью приложения DeWALT Tool Connect™. Для правильной установки метки инструмента DeWALT обратитесь к руководству метки инструмента DeWALT.

Электронный регулятор скорости и ударов (Рис. А)

Электронная регулировка оборотов и удара обеспечивает оптимальное управление точным долблением.

Чтобы настроить электронный регулятор скорости и ударов **8**, поверните регулятор в нужное положение. Чем выше число, тем больше скорость и ударное воздействие. Уровни регулятора делают инструмент крайне гибким и универсальным для множества видов работ. Необходимая настройка зависит от размера насадки и прочности материала, подлежащего дроблению.

- При дроблении мягких, хрупких материалов или при необходимости свести к минимуму количество осколков, установите регулятор на низкую скорость.

- При удалении более прочных материалов, установите регулятор на высокую скорость.

СБОРКА И РЕГУЛИРОВКА

! **ВНИМАНИЕ:** Чтобы снизить риск получения серьезных травм, выключайте инструмент и отключайте его от сети перед тем, как выполнять какие-либо настройки или снимать/устанавливать насадки или принадлежности. Случайный запуск может привести к травме.

Установка боковой рукоятки (Рис. В)

! **ОСТОРОЖНО!** Во избежание травмы, необходимо **ВСЕГДА** проверять надежность установки боковой рукоятки. Невыполнение этого требования может привести к соскальзыванию боковой рукоятки во время работы инструмента и к потере управления. Чтобы обеспечить максимальный контроль над инструментом, удерживайте его обеими руками.

Боковая рукоятка **2** крепится на передней части редуктора, как показано на рисунке, и может поворачиваться на 360° для использования как правой, так и левой рукой.

Установка узла боковой рукоятки (Рис. В)

1. Расширьте кольцевое отверстие **12** боковой рукоятки **2**, поворачивая винт для установки боковой рукоятки **10** против часовой стрелки.
2. Насадите боковую рукоятку в сборе на нос инструмента, продев ее сквозь стальное кольцо **12** и на муфту **3** за держателем для долота и втулкой.
3. Поверните боковую рукоятку в сборе в нужное положение.
4. Зафиксируйте боковую рукоятку в сборе, надежно затянув винт для установки боковой рукоятки **10** путем поворачивания ее по часовой стрелке так, чтобы рукоятка в сборе в итоге не вращалась.

Насадка и держатель насадок

! **ОСТОРОЖНО:** Опасность ожога. **ВСЕГДА** надевайте перчатки при замене дополнительных приспособлений. Выступающие металлические части инструмента и насадки могут очень сильно нагреваться во время работы. Частицы обрабатываемого материала могут стать причиной травмы незащищенных рук.

! **ОСТОРОЖНО:** Не пытайтесь затягивать или ослаблять насадки (или любую другую принадлежность), удерживая патрон и включая инструмент. Это может привести к повреждению патрона и травмам.

Отбойный молоток можно оснастить различными насадками-долотами, в зависимости от задач. **Используйте только хорошо заточенные насадки.**

Установка и снятие насадок SDS MAX (Рис. С)

ПРИМЕЧАНИЕ: Принадлежности и насадки следует смазать вокруг оснастки SDS перед установкой.

1. Оттяните назад зажимное кольцо **7** и вставьте хвостовик насадки. Хвостовик насадки должен быть чистым.
2. Слегка поверните насадку до тех пор, пока зажимное кольцо не защелкнется на месте.
3. Убедитесь, что насадка надежно закреплена.
ПРИМЕЧАНИЕ: Насадке необходимо двигаться на несколько сантиметров взад и вперед из держателя насадок **6** при надежном креплении.
4. Чтобы снять насадку, оттяните назад зажимное кольцо и извлеките насадку.

Регулировка положения насадки

Поверните регулятор режимов на иконку регулировки (см. **Выбор режима**), чтобы отрегулировать долото до нужного положения. Существует несколько положений для выбора угла долота.

ПРИМЕЧАНИЕ: Найдя нужное положение, немного подвигайте долото взад и вперед, чтобы убедиться, что оно надежно закреплено.

ЭКСПЛУАТАЦИЯ

Инструкции по использованию

! **ВНИМАНИЕ:** Всегда следуйте указаниям действующих норм и правил безопасности.

! **ВНИМАНИЕ:** Чтобы снизить риск получения серьезных травм, выключайте инструмент и отключайте его от сети перед тем, как выполнять какие-либо настройки или снимать/устанавливать насадки или принадлежности. Случайный запуск может привести к травме.

Правильное положение рук во время работы (Рис. D)

! **ВНИМАНИЕ:** Для уменьшения риска получения тяжелой травмы, **ВСЕГДА** правильно удерживайте инструмент, как показано на рисунке.

! **ВНИМАНИЕ:** Для уменьшения риска получения тяжелой травмы, **ВСЕГДА** надёжно удерживайте инструмент, предупреждая внезапные сбои в работе.

При правильном расположении рук одна рука находится на установленной боковой рукоятке **2**, а другая на основной рукоятке **5**.

Выбор режима (Рис. E)

! **ОСТОРОЖНО:** Не выполняйте смену рабочего режима при работающем инструменте. Инструмент следует полностью остановить перед задействованием кнопки выбора режимов, так как в противном случае возможно повреждение инструмента.

Данный инструмент оснащен регулятором переключения режимов **4**, позволяющим выбрать нужный для конкретной задачи режим.

Символ	Режим	Применение
	Регулировка насадки	Регулировка положения насадки-долота
	Сверление с ударом/долбление	Легкое долбление, дробление и разбивание

Выбор режима

- Поверните регулятор выбора режимов так, чтобы стрелка указывала на нужный режим.

ПРИМЕЧАНИЕ: Стрелка на регуляторе выбора режимов **4** должна всегда указывать на символ режима. Промежуточных положений нет.

Регулировка положения долота (Рис. Е)

Долото можно установить и зафиксировать в 24 разных положениях.

- Поворачивайте переключатель режимов **4**, пока он не будет указывать на символ **O** положения.
- Поверните долото в нужное положение.
- Установите переключатель режимов **4** в положение «Ударное сверление/дробление».
- Поверните долото, чтобы зафиксировать его в нужном положении.

Выполнение работ (Рис. А, Е)

ОСТОРОЖНО: ВО ИЗБЕЖАНИЕ ТРАВМ, ВСЕГДА надежно закрепляйте заготовку.

ПРИМЕЧАНИЕ: Рабочая температура данного инструмента составляет от 7 до +40 °С. Использование инструмента в температурных режимах, выходящими за рамки рабочего сокращает срок эксплуатации инструмента.

- Вставьте соответствующее долото и зафиксируйте его, вращая ручную, в нужном положении. См. **Насадка и держатели для насадок**.
- При помощи регулятора выбора режимов **4**, выберите режим дробления. См. **Выбор режима**.
- Отрегулируйте в соответствии с необходимостью боковую рукоятку **2**. См. **Установка узла боковой рукоятки**.
- Установите долото в нужное место.
- Нажмите на двухпозиционный кулисный переключатель **1**.
- Чтобы остановить молот, отпустите двухпозиционный кулисный переключатель.

ТЕХНИЧЕСКОЕ ОБСЛУЖИВАНИЕ

Электроинструмент DEWALT имеет длительный срок эксплуатации и требует минимальных затрат на техобслуживание. Для длительной безотказной работы необходимо обеспечить правильный уход за инструментом и его регулярную очистку.

ВНИМАНИЕ: Чтобы снизить риск получения серьезных травм, выключайте инструмент

и отключайте его от сети перед тем, как выполнять какие-либо настройки или снимать/устанавливать насадки или принадлежности. Убедитесь, что курковый переключатель находится в положении ВЫКЛ. Непреднамеренный запуск инструмента может привести к получению травмы.



Смазка

Ваш электроинструмент не требует дополнительной смазки.



Чистка

ВНИМАНИЕ: Выдувайте грязь и пыль из корпуса сухим сжатым воздухом по мере видимого скопления грязи внутри и вокруг вентиляционных отверстий. Выполняйте очистку, надев средство защиты глаз и респиратор утвержденного типа.

ВНИМАНИЕ: Никогда не используйте растворители или другие агрессивные химические средства для очистки неметаллических деталей инструмента. Эти химикаты могут ухудшить свойства материалов, примененных в данных деталях. Используйте ткань, смоченную в воде с мягким мылом. Не допускайте попадания какой-либо жидкости внутрь инструмента; ни в коем случае не погружайте какую-либо часть инструмента в жидкость.

Дополнительные принадлежности

ВНИМАНИЕ: Поскольку принадлежности, отличные от тех, которые предлагает DEWALT, не проходили тесты на данном изделии, то использование этих принадлежностей может привести к опасной ситуации. Во избежание риска получения травмы, с данным продуктом должны использоваться только рекомендованные DEWALT дополнительные принадлежности.

По вопросу приобретения дополнительных принадлежностей обращайтесь к Вашему дилеру.

Защита окружающей среды



Отдельная утилизация. Изделия с данным символом на маркировке запрещается утилизировать с обычными бытовыми отходами.

■ Изделия содержат материалы, которые могут быть извлечены или переработаны, снижая потребность в исходном сырье. Пожалуйста, утилизируйте электрические изделия в соответствии с местными нормами. Дополнительная информация доступна по адресу www.2helpU.com.



Приложение к руководству по эксплуатации электрооборудования для определения месяца производства по номеру текущей календарной недели года

Электрооборудование торговых марок "Dewalt", "Stanley", "Stanley FatMAX", "BLACK+DECKER".

Директивы 2014/30/EU ЕВРОПЕЙСКОГО ПАРЛАМЕНТА И СОВЕТА от 26 февраля 2014 г. "О гармонизации законодательства Государств-членов ЕС в области электромагнитной совместимости", 2006/42/ЕС ЕВРОПЕЙСКОГО ПАРЛАМЕНТА И СОВЕТА от 17 мая 2006 г. "О машинах и оборудовании"; 2014/35/EU ЕВРОПЕЙСКОГО ПАРЛАМЕНТА И СОВЕТА от 26 февраля 2014 г. "О гармонизации законодательства государств-членов в области размещения на рынке электрооборудования, предназначенного для использования в определенных пределах напряжения".
Серийный выпуск.

ТОВАР СЕРТИФИЦИРОВАН

Орган по сертификации "РОСТЕСТ- Москва", Адрес: 119049, г. Москва, улица Житная, д. 14, стр. 1; 117418, Москва, Нахимовский просп., 31 (фактический), Телефон: (499) 1292311, (495) 6682893, Факс: (495) 6682893, E-mail: office@rostest.ru
Изготовитель: Изготовитель: Блэк энд Деккер Холдингс ГмбХ, Германия, 65510, Идштайн, ул. Блэк энд Деккер, 40, тел. +496126212790.

Уполномоченное изготовителем юрлицо:

ООО "Стэнли Блэк энд Деккер", 117485, город Москва, улица Обручева, дом 30/1, строение 2
Телефон: + 7 (495) 258-3981, факс: + 7 (495) 258-3984, E-mail: inbox@dewalt.com
Сведения о импортере указаны в сопроводительной документации и/или на упаковке

Хранение.

Необходимо хранить в сухом месте, вдали от источников повышенных температур и воздействия солнечных лучей. При хранении необходимо избегать резкого перепада температур. Хранение без упаковки не допускается

Срок службы.

Срок службы изделия составляет 5 лет. Не рекомендуется к эксплуатации по истечении 5 лет хранения с даты изготовления без предварительной проверки.

Дата изготовления (код даты) указана на корпусе инструмента.

Код даты, который также включает год изготовления, отштампован на поверхности корпуса изделия.

Пример:

2014 46 XX, где 2014 –год изготовления, 46-неделя изготовления.

Определить месяц изготовления по указанной неделе изготовления можно согласно приведенной ниже таблице.

Транспортировка.

Категорически не допускается падение и любые механические воздействия на упаковку при транспортировке.

При разгрузке/погрузке не допускается использование любого вида техники, работающей по принципу зажима упаковки.

Перечень критических отказов, возможные ошибочные действия персонала.

Не допускается эксплуатация изделия:

-При появлении дыма из корпуса изделия

-При поврежденном и/или оголенном сетевом кабеле

-При повреждении корпуса изделия, защитного кожуха, рукоятки

-при попадании жидкости в корпус

-при возникновении сильной вибрации

-при возникновении сильного искрения внутри корпуса

Критерии предельных состояний.

-При поврежденном и/или оголенном сетевом кабеле

-при повреждении корпуса изделия

Месяц	Январь	Февраль	Март	Апрель	Май	Июнь	Июль	Август	Сентябрь	Октябрь	Ноябрь	Декабрь	Год производства
Неделя	1	5	9	14	18	23	27	31	36	40	44	49	2018
	2	6	10	15	19	24	28	32	37	41	45	50	
	3	7	11	16	20	25	29	33	38	42	46	51	
	4	8	12	17	21	26	30	34	39	43	47	52	
Неделя			13		22			35			48		2019
	1	6	10	14	18	23	27	31	36	40	45	49	
	2	7	11	15	19	24	28	32	37	41	46	50	
	3	8	12	16	20	25	29	33	38	42	47	51	
	4	9	13	17	21	26	30	34	39	43	48	52	
Неделя					22			35		44			2020
	1	6	10	14	19	23	27	32	36	40	45	49	
	2	7	11	15	20	24	28	33	37	41	46	50	
	3	8	12	16	21	25	29	34	38	42	47	51	
	4	9	13	17	22	26	30	35	39	43	48	52	
Неделя				18			31		40				2021
	2	6	10	14	19	23	27	32	36	41	45	49	
	3	7	11	15	20	24	28	33	37	42	46	50	
	4	8	12	16	21	25	29	34	38	43	47	51	
	5	9	13	17	22	26	30	35	39	44	48	52	
Неделя				18			31		40			1	2022
	2	6	10	15	19	23	28	32	36	41	45	49	
	3	7	11	16	20	24	29	33	37	42	46	50	
	4	8	12	17	21	25	30	34	38	43	47	51	
	5	9	13	18	22	26	31	35	39	44	48	52	
Неделя			14			27			40			1	2022

AĞIR HİZMET TIPI HAVALI KIRICI

D25892

Tebrikler!

Bir DeWALT aleti seçtiniz. Uzun süreli deneyim, sürekli ürün geliştirme ve yenilik DeWALT markasının profesyonel elektrikli alet kullanıcıları için en güvenilir ortaklardan birisi haline gelmesini sağlamaktadır.

Teknik Özellikleri

		D25892
Voltaj	V _{oc}	230
Tip		1
Frekans	Hz	50
Giriş Gücü	W	1700
Yüksüz dakika başına vuruş sayısı	bpm	1105–2210
Tek darbe enerjisi (EPTA 05/2009)	J	19,4
Maks. Darbe Joule	J	22,7
Alet tutucu	SDS MAX	
Ağırlık (tutamak dahil)	kg	10,0

EN60745-2-6 uyarınca gürültü ve titreşim toplam değerleri (triaks vektör toplamı):

L _{PA} (emisyon ses basıncı seviyesi)	dB(A)	90
L _{WA} (ses güç seviyesi)	dB(A)	101
K (verilen ses seviyesi için belirsizlik)	dB(A)	3

Keskiyle yontma

Titreşim emisyon değeri a _{h,Cheq} =	m/s ²	13,5*
Belirsizlik değeri K =	m/s ²	1,5

*Yan tutamakta ölçülür. Yan tutamak titreşimi ana tutamaktaki titreşimden daha yüksektir.

Bu bilgi sayfasında verilen titreşim ve/veya gürültü emisyonu düzeyi, EN60745'de belirtilen standart teste uygun olarak ölçülmüştür ve aletleri birbiriyle karşılaştırmak için kullanılabilir. Maruz kalmaya dönük bir ön değerlendirme olarak kullanılabilir.

UYARI: Beyan edilen titreşim ve/veya gürültü emisyon düzeyi, aletin ana uygulamalarını yansıtır. Bununla birlikte alet farklı uygulamalar için, farklı aksesuarlar veya yeterince bakım yapılmadan kullanıldığında, titreşim ve/veya gürültü emisyonu değişebilir. Bu, toplam çalışma süresindeki maruz kalma seviyesini önemli ölçüde artırabilir.

Titreşim ve/veya gürültü maruz kalma seviyesine ilişkin bir tahminde bulunurken aletin kapalı kaldığı veya çalıştığı ancak gerçekte işi yapmadığı zamanlar da dikkate alınmalıdır. Bu, toplam çalışma süresindeki maruziyet düzeyini önemli ölçüde azaltabilir.

Operatörü titreşim ve/veya gürültünün etkilerinden korumak için aşağıdakiler gibi ilave güvenlik önlemleri tanımlayın: aleti ve aksesuarları iyi koruyun, ellerinizi

sıcak tutun (titreşim için uygundur), çalışma sürelerini iyi organize edin.

Makine Direktifi



Ağır Hizmet Tipi Havalı Kırıcı D25892

DeWALT, **Teknik Özellikleri** bölümünde açıklanan bu ürünlerin aşağıda belirtilen yönergelere uygun olduğunu beyan eder: 2006/42/AT, EN60745-1:2009+A11:2010, EN60745-2-6:2010.

2000/14/EC Elektrikli beton kırıcı (elle kullanılan) m ≤ 15 kg, Ek VIII; TÜV Rheinland LGA Products GmbH (0197), D-90431

Nürnberg, Germany, Onaylanmış Gövde Tanıtım No.: 0197.

2000/14/EC (Bölüm 12, Ek III, No. 10; m ≤ 15 kg)

uyarınca ses seviyesi:

L _{WA} (ölçülen ses şiddeti seviyesi)	dB(A)	101
L _{WA} (garanti edilen ses şiddeti seviyesi)	dB(A)	103

Bu ürünler ayrıca 2014/30/EU ve 2011/65/EU Direktiflerine de uygundur. Daha ayrıntılı bilgi için, lütfen aşağıdaki adresten DeWALT ile temas kurun veya kılavuzun arka kapağına bakın.

Bu belge altında imzası bulunan yetkili, teknik dosyanın derlenmesinden sorumludur ve bu beyanı DeWALT adına vermiştir.

Markus Rompel

PTE-Avrupa, Mühendislik Birimi Genel Müdür Yardımcısı
DeWALT, Richard-Klinger-Straße 11,
D-65510, Idstein, Almanya
02.11.2017



UYARI: Yaralanma riskini azaltmak için, kullanıma kılavuzunu okuyun.

Tanımlar: Güvenlik Talimatları

Aşağıdaki tanımlar her işaret sözcüğü ciddiyet derecesini gösterir. Lütfen kılavuzu okuyunuz ve bu simgelere dikkat ediniz.



TEHLİKE: Engellenmemesi halinde **ölüm veya ciddi yaralanma** ile sonuçlanabilecek **çok yakın bir tehlikeli durumu** gösterir.



UYARI: Engellenmemesi halinde **ölüm veya ciddi yaralanma** ile sonuçlanabilecek **potansiyel bir tehlikeli durumu** gösterir.



DİKKAT: Engellenmemesi halinde **önemsiz veya orta dereceli yaralanma** ile sonuçlanabilecek **potansiyel bir tehlikeli durumu** gösterir.

İKAZ: Engellenmemesi halinde **maddi hasara neden olabilecek, yaralanma ile ilişkisi olmayan durumları gösterir.**



Elektrik çarpması riskini belirtir.



Yangın riskini belirtir.

ELEKTRİKLİ EL ALETLERİ İÇİN GENEL GÜVENLİK TALİMATLARI



UYARI: Bu elektrikli aletle verilen tüm güvenliğin uyarılarını, talimatları, resimleri ve teknik özellikleri okuyun. Aşağıda listelenen tüm talimatlara uyulmaması elektrik çarpmasına, yangına ve/veya ciddi yaralanmalara neden olabilir.

BÜTÜN UYARI VE GÜVENLİK TALİMATLARINI İLERİDE BAKMAK ÜZERE SAKLAYIN

Uyarılarda yer alan «elektrikli alet» terimi şebeke elektrifiyle (kablolu) veya akü/pille (şarjlı) çalışan elektrikli aletinizi ifade etmektedir.

1) Çalışma alanının Güvenliği

- Çalışma alanını temiz ve aydınlık tutun.** Karışık ve karanlık alanlar kazaya davetiye çıkarır.
- Elektrikli aletleri, yanıcı sıvılar, gazlar ve tozların bulunduğu yerler gibi yanıcı ortamlarda çalıştırmayın.** Elektrikli aletler, toz veya dumanları ateşleyebilecek kıvılcıklar çıkarır.
- Bir elektrikli aleti çalıştırırken çocuklardan ve etraftaki kişilerden uzak tutun.** Dikkatinizi dağıtıcı şeyler kontrolü kaybetmenize neden olabilir.

2) Elektrik Güvenliği

- Elektrikli aletlerin fişleri prizlere uygun olmalıdır.** Fiş üzerinde kesinlikle hiçbir değişiklik yapmayın. Topraklı elektrikli aletlerde hiçbir adaptör fişi kullanmayın. Değiştirilmemiş fişler ve uygun prizler elektrik çarpması riskini azaltacaktır.
- Borular, radyatörler, ocaklar ve buzdolapları gibi topraklanmamış yüzeylerle vücut temasından kaçının.** Vücudunuzun topraklanması halinde yüksek bir elektrik çarpması riski vardır.
- Elektrikli aletleri yağmura maruz bırakmayın veya ıslatmayın.** Elektrikli alete su girmesi elektrik çarpması riskini arttıracaktır.
- Elektrik kablosunu uygun olmayan amaçlarla kullanmayın.** Elektrikli aleti kesinlikle kablosundan tutarak taşımayın, çekmeyin veya prizden çıkartmayın. Kabloyu sıcağın, yağdan, keskin kenarlardan veya hareketli parçalardan uzak tutun. Hasarlı veya dolanmış kablolar elektrik çarpması riskini artırır.
- Elektrikli bir aleti açık havada çalıştırıyorsanız, açık havada kullanıma uygun bir uzatma kablosu kullanın.** Açık havada kullanıma uygun bir kablolu kullanılması elektrik çarpması riskini azaltır.
- Eğer bir elektrikli aletin nemli bir bölgede çalıştırılması zorunluysa, bir artık akım aygıtı (RCD) korumalı bir kaynak kullanın.** Bir RCD kullanılması elektrik şoku riskini azaltır.

3) Kişisel Güvenlik

- Elektrikli bir aleti kullanırken her zaman dikkatli olun, yaptığınız işe yoğunlaşın ve sağduyulu davranın.** Elektrikli bir aleti yorgunken veya ilaç ya da alkolün etkisi altındayken kullanmayın. Elektrikli aletleri kullanırken bir anlık dikkatsizlik ciddi kişisel yaralanmayla sonuçlanabilir.
- Kişisel koruyucu ekipmanları mutlaka kullanın. Daima koruyucu gözlük takın.** Koşullara uygun toz maskesi, kaymayan güvenlik ayakkabıları, baret veya kulaklık gibi koruyucu donanımların kullanılması kişisel yaralanmaları azaltacaktır.
- İstem dışı çalıştırılmasını önleyin. Aleti güç kaynağına ve/veya aküye bağlamadan, yerden kaldırmadan veya taşımadan önce düğmenin kapalı konumda olduğundan emin olun.** Aleti, parmağınız düğme üzerinde bulunacak şekilde taşımak veya açık konumdaki elektrikli aletleri elektrik şebekesine bağlamak kazaya davetiye çıkarır.
- Elektrikli aleti açmadan önce tüm ayarlamaları anahtarlarını çıkartın.** Elektrikli aletin hareketli bir parçasına takılı kalmış bir anahtar kişisel yaralanmaya neden olabilir.
- Ulaşmakta zorlandığınız yerlerde kullanmayın. Daima sağlam ve dengeli basın.** Bu, beklenmedik durumlarda elektrikli aletin daha iyi kontrol edilmesine olanak tanır.
- Uygun şekilde giyinin. Bol elbiseler giymeyin ve takı takmayın. Saçınızı, elbiselerinizi ve eldivenlerinizi hareketli parçalardan uzak tutun.** Bol elbiseler ve takılar veya uzun saç hareketli parçalara takılabilir.
- Eğer kullandığınız üründen toz emme ve toplama özellikleri olan ataşmanlar varsa bunların bağlı olduğundan ve doğru şekilde kullanıldığından emin olun.** Bu ataşmanların kullanılması toza ilgili tehlikeleri azaltabilir.
- Aletlerin sık kullanımı sonucu oluşan aşınalığın keyfi davranışta bulunmanıza ve aletle ilgili güvenlik ilkeleri ihmal etmenize neden olmasına izin vermeyin.** Dikkatsiz bir hareket bir anda ciddi yaralanmalara neden olabilir.

4) Elektrikli Aletlerin Kullanımı ve Bakımı

- Elektrikli aleti zorlamayın. Uygulamanız için doğru elektrikli aleti kullanın.** Doğru elektrikli alet, belirlendiği kapasite ayarında kullanıldığında daha iyi ve güvenli çalışacaktır.
- Düğme açmıyor ve kapatmıyorsa elektrikli aleti kullanmayın.** Düğmeyle kontrol edilemeyen tüm elektrikli aletler tehlikelidir ve tamir edilmesi gerekmektedir.
- Herhangi bir ayar, aksesuar değişimi veya elektrikli aletlerin saklanması öncesinde fişi güç kaynağından çekin ve/veya eğer demonte edilebilir tipteysse, bataryayı aletten ayırın.** Bu tür önleyici güvenlik

tedbirleri elektrikli aletin istem dışı olarak çalıştırılması riskini azaltacaktır.

- d) **Elektrikli aleti, çocukların ulaşamayacağı yerlerde saklayın ve elektrikli aleti tanımayan veya bu talimatları bilmeyen kişilerin elektrikli aleti kullanmasına izin vermeyin.** Elektrikli aletler, eğitimsiz kullanıcıların elinde tehlikelidir.
- e) **Elektrikli aletleri iyi durumda muhafaza edin. Hareketli parçalardaki hizalama hatalarını ve tutuklukları, parçalardaki kırılmalar ve elektrikli aletin çalışmasını etkileyebilecek tüm diğer koşulları kontrol edin. Hasarlı ise, elektrikli aleti kullanmadan önce tamir ettirin.** Kazaların çoğu, elektrikli aletlerin bakımının yeterli şekilde yapılmamasından kaynaklanır.
- f) **Kesim aletlerini keskin ve temiz tutun.** Bakımı uygun şekilde yapılmış keskin kesim uçlu kesim aletlerinin sıkışma ihtimali daha düşüktür ve kontrol edilmesi daha kolaydır.
- g) **Elektrikli aleti, aksesuarlarını ve aletin diğer parçalarını kullanırken bu talimatlara mutlaka uyun ve çalışma ortamının koşullarını ve yapılacak işin ne olduğunu göz önünde bulundurun.** Elektrikli aletin öngörülen işlemler dışındaki işlemler için kullanılması tehlikeli durumlara neden olabilir.
- h) **Tüm tutamakları ve tutma yerlerini kuru, temiz ve üzerinde yağ ile gres bulunmayacak şekilde muhafaza edin.** Kaygan tutamaklar ve tutma yerleri, beklenmedik durumlarda aletin güvenli bir şekilde tutulması ve kontrol edilmesine izin vermez.

5) Servis

- a) **Elektrikli aletinizi, sadece orijinal yedek parçaların kullanıldığı yetkili DEWALT servisine tamir ettirin.** Bu, elektrikli aletin güvenliğinin muhafaza edilmesini sağlayacaktır.

Havali Kırıcılar için Ek Güvenlik Talimatları

- **Kulak koruması kullanın.** Gürültüye maruz kalınması, işitme kaybına yol açabilir.
- **Alete birlikte verilen yardımcı tutamağı kullanın.** Kontrol kaybı yaralanmaya neden olabilir.
- **Kesim aletinin, gömülü elektrik kablolarına temas etmesine yol açabilecek durumlarda aleti izole edilmiş tutamaklarından tutun.** Elektrik akımı bulunan kablolarla temas, akımı elektrikli aletin "iletken" metal parçaları üzerinden kullanıcıya ileterek elektrik çarpmasına yol açacaktır.
- **İş parçasını stabil bir yüzeye sabitlemek ve desteklemek için kelepçe veya başka bir pratik yöntem kullanın.** İş parçasını el veya vücudunuzla tutmak dengesizdir ve kontrol kaybına neden olabilir.
- **Güvenlik gözlüğü veya başka bir göz koruması kullanın.** Kırma işlemlerinde bazı parçacıklar uçuşabilir. Uçuşan partiküller kalıcı göz zararına neden olabilir. Toza neden olan uygulamalar için bir toz maskesi veya solunum maskesi takın. Birçok uygulama için kulak koruması gerekebilir.
- **Aleti her zaman sıcak kavrayın.** Bu aleti her iki elinizle de kavramadan kullanmaya kalkmayın. Yan tutamağın her

zaman kullanılması önerilir. Bu aleti tek elle çalıştırmak, kontrol kaybıyla sonuçlanacaktır. Demir gibi sert malzemeleri delmeye çalışmak veya bunlarla karşılaşmak da tehlikeli olabilir. Yan tutamağı kullanmadan önce iyice sıkıştırın.

- **Bu aleti uzun süre çalıştırmayın.** Kırıcı hareketinin yarattığı titreşim el ve kollarınız için zararlı olabilir. Fazladan koruma amacıyla eldiven kullanın ve maruz kalmayı azaltmak için sık sık dinlenin.
- **Uçları kendiniz yenilemeyin.** Keski yenilemesi yetkili bir uzman tarafından yapılmalıdır. Uygun olmayan şekilde yenilenmiş keskiyle yaralanmalara neden olabilir.
- **Aleti çalıştırırken veya uçları değiştirirken eldiven kullanın.** Alet üstündeki ulaşılabilen metal parçalar ve uçlar çalışma sırasında çok fazla ısınabilir. Kırılan malzemelerin küçük parçaları çıplak ele zarar verebilir.
- **Ucu tam olarak durmadan elektrikli aleti asla yere koymayın.** Hareket eden uçlar yaralanmalara neden olabilir.
- **Sıkışmış parçaları yerinden çıkartmak için çekiçle vurmeyin.** Metal parçaları veya malzeme parçacıkları etrafa uçuşabilir ve yaralanmaya neden olabilir.
- **Hafif yıpranmış keskiyle bileyleyerek ile yeniden keskinleştirilebilir.**
- **Güç kablosunu uçtan uzakta tutun.** Kabloyu vücudunuzun herhangi bir yerinde sarmayın. Dönen bir uç etrafına sarılan bir elektrik kablosu yaralanmalara ve kontrol kaybına neden olabilir.



UYARI: Alet, 30mA akımı aşmayan akım kesici cihazla beraber kullanılmaya tavsiye edilir.

Diğer Tehlikeler

Emniyet tedbirlerini düzenleyen yönetmeliğin uygulanmasına ve emniyet sağlayıcı aygıtların kullanılmasına rağmen, başka belirli risklerden kaçınılamaz. Bunlar:

- *Duyuma bozukluğu.*
- *Sıçrayan parçacıklardan kaynaklanan yaralanma riski.*
- *Çalışma sırasında ısınan aksesuarlardan kaynaklanan yanık tehlikesi.*
- *Uzun süreli kullanımdan kaynaklanan yaralanma riski.*

BU TALİMATLARI SAKLAYIN

Elektrik Güvenliği

Den elektriska motorn har konstruerats för endast en spänning. Kontrollera alltid att strömförsörjningen motsvarar spänningen på klassificeringsplattan.



DEWALT aletiniz EN60745 standardına uygun olarak çift yalıtımlıdır; bu nedenle, topraklama kablosuna gerek yoktur.

Elektrik kablosu hasar görürse, yalnızca DEWALT veya yetkili bir servis tarafından değiştirilmelidir.

Uzatma Kablolarının Kullanımı

Uzatma kablosu kullanılması gerekiyorsa bu aletin giriş gücüne (**Teknik Özellikleri** bölümü) uygun onaylı bir 3 damarlı uzatma kablosu kullanın. Minimum iletken boyutu 1,5 mm²'dir; maksimum uzunluk 30 m'dir.

Bir kablo makarası kullanırken, kabloyu daima sonuna kadar açın.

Ambalaj İçeriği

Ambalaj, aşağıdaki parçaları içermektedir:

- 1 Havalı kırıcı
- 1 Yan tutamak
- 1 Kullanım kılavuzu
- Alet, parçalar ve aksesuarlarda nakliye sırasında hasar oluşup oluşmadığını kontrol edin.
- Çalıştırmadan önce bu kılavuzu iyice okuyup anlamak için zaman ayırın.

Alet Üzerindeki Etiketler

Alet üzerinde, aşağıdaki uyarı sembolleri bulunmaktadır:



Aletle çalışmaya başlamadan önce bu kılavuzu okuyun.



Kulaklık takın.



Koruyucu gözlük takın.

Tarih Kodu Konumu (Şek. A)

İmalat yılını da içeren Tarih Kodu **11** gövdeye basılıdır.

Örnek:

2019 XX XX

İmalat Yılı

Açıklama (Şek. A)



UYARI: Hiçbir zaman elektrikli aleti veya herhangi bir parçasını değiştirmeyin. Hasarla veya yaralanmayla sonuçlanabilir.

- | | |
|---|---|
| 1 ON/OFF (Açık/Kapalı) çalıştırma düğmesi | 7 Kilitleme manşonu |
| 2 Yan tutamak | 8 Elektronik hız ve darbe kontrol kadranı |
| 3 Ön Namlu (Bilezik) | 9 DEWALT alet etiketi montaj delikleri |
| 4 Mod seçme çarkı | 10 Yan tutamak için montaj vidası |
| 5 Ana tutamak | 11 Tarih kodu |
| 6 Alet tutucu | |

Kullanım Amacı

Havalı kırıcınız, profesyonel amaçlı kırma ve keskiyle parçalama uygulamaları için tasarlanmıştır.

Islak koşullarda veya yanıcı sıvı ya da gazların mevcut olduğu ortamlarda **KULLANMAYIN**.

Bu havalı kırıcı profesyonel kullanım amaçlı bir elektrikli alettir.

Çocukların aleti ellemesine **İZİN VERMEYİN**. Bu alet deneyimsiz kullanıcılar tarafından kullanılırken nezaret edilmelidir.

- Bu ürün fiziksel ve zihinsel kapasitesinin yanı sıra algılama gücü azalmış olan veya yeterince deneyim ve bilgisi bulunmayan kişiler (çocuklar dahil) tarafından kullanılmak üzere üretilmemiştir. Bu tür kişiler ürünü ancak güvenliklerinden sorumlu bir kişi tarafından cihazın kullanımıyla ilgili talimatların verilmesi veya sürekli kontrol

altında tutulması durumunda kullanılabilir. Çocuklar, bu ürün ile kontrol altında tutulmalıdır.

Aktif Titreşim Kontrol (AVC) Sistemi

En iyi titreşim kontrolü için aleti **Uygun El Pozisyonu**

bölümünde açıklandığı gibi tutun ve sadece ana tutamaktaki sönümlenme aleti yaklaşık orta darbe düzeyinde olacak şekilde yeterli basıncı uygulayın.

Aktif titreşim kontrolü dövm mekanizmasından gelen rezonans titreşimini ortadan kaldırır. El ve kol titreşimini azaltarak daha uzun süreli rahat kullanım sağlar ve ünitenin çalışma ömrünü uzatır.

Aktif titreşim önlemenin devreye girmesi için kırıcıya sadece yeterli miktarda basınç uygulamak gerekir. Çok fazla basınç uygulamak aletin daha hızlı kırmanızı sağlamaz ve aynı zamanda aktif titreşim kontrolün devreye girmesine engel olur.

DEWALT Alet Etiketi Hazır (Şek. A)

İsteğe Bağlı Aksesuar

Çekicinizde DEWALT alet etiketi montaj delikleri **9** ve bir DEWALT Alet Etiketi takmak için bağlantı elemanları bulunur. Etiketi takmak için bir T20 matkap ucuna ihtiyacınız var. DEWALT Alet Etiketi, DEWALT Tool Connect™ uygulamasını kullanarak profesyonel elektrikli el aletleri, ekipman ve makineleri izlemek ve bulmak için tasarlanmıştır. DEWALT Alet Etiketinin düzgün yerleştirilmesi için DEWALT Alet Etiketi kılavuzuna bakın.

Elektronik Hız ve Darbe Kontrol (Şek. A)

Elektronik hız ve darbe kontrolü, hassas yontma işlemi için en uygun alet kontrolünü sağlar.

Elektronik hız ve darbe kontrol kadranını **8** ayarlamak için kadranı istediğiniz seviyeye getirin. Rakam ne kadar yüksekse, hız ve darbe enerjisi o kadar yüksek olur. Kadran ayarları, aleti birçok farklı uygulama için son derece esnek ve uyulanabilir hale getirir. Gerekli ayar, uç boyutuna ve yontulan malzemenin sertliğine bağlıdır.

- Hassas, yumuşak materyalleri keserken veya delerken veya minimum parçalanma gerektiğinde kadranı düşük ayara ayarlayın;
- Daha sert materyalleri keserken veya delerken kadranı yüksek ayara ayarlayın.

MONTAJ VE AYARLAMALAR



UYARI: Ciddi yaralanma riskini azaltmak için herhangi bir ayar yapmadan ya da parça veya aksesuarları söküp takmadan önce aleti kapatın ve güç kaynağından ayırın. Aletin yanlışlıkla çalıştırılması yaralanmaya neden olabilir.

Yan Tutamak (Şek. B)



UYARI: Yaralanma riskini azaltmak için, **HER ZAMAN** aleti yan tutamak düzgün bir şekilde takılı haldeyken çalıştırın. Aksi takdirde çalışma sırasında yan tutamak kayabilir ve kontrol kaybına neden olabilir. Kontrolü mümkün olduğunca iyi sağlamak için aleti iki elinizle tutun.

TÜRKÇE

Yan tutamak **2** dişli kutusunun ön kısmına kelepçelenir ve sol veya sağ elle kullanılabilmesi 360 derece döndürülebilir.

Yan Tutamak Düzenine Takılması (Şek. B)

1. Yan tutamak **10** vidasını saat yönünün tersine çevirerek yan tutamağın **2** halka açıklığını **12** genişletin.
2. Montaj parçasını, aletin burnunu çelik halka **12** ile havalı kırıcı üzerine koyarak alet tutucu ve manşonu geçen bilezik **3** üzerine getirin.
3. Yan tutamak düzeneğini istenilen konuma döndürün.
4. Yan tutamak montaj vidasını **10** saat yönünde döndürülerek montaj dönmeyecek şekilde sıkıştırın ve yan kol montaj takımını yerine sabitleyin.

Uç ve Uç Tutucusu

UYARI: Yanma Tehlikesi. Uçları değiştirirken **DAİMA** eldiven takın. Alet üstündeki ulaşılabilen metal parçalar ve uçlar çalışma sırasında çok fazla ısınabilir. Kırılan malzemelerin küçük parçaları çıplak ele zarar verebilir.

UYARI: Mandrenin ön kısmını tutup aleti çevirerek keski ucu (veya başka herhangi bir aksesuar) takmayı veya çıkarmayı denemeyin. Mandren hasarına ve yaralanmaya neden olabilir.

İstenen uygulamaya bağlı olarak bu havalı kırıcıya çeşitli keski uçları takılabilir. **Yalnızca keskin uçları kullanın.**

SDS MAX Uçların Takılıp Çıkarılması (Şek. C)

NOT: Takma öncesinde SDS düzeneğinin etrafında kullanılan aksesuar ve parçalar düzenli olarak yağlanmalıdır.

1. Kilitleme manşonunu **7** geri çekin ve uç şaftını takın. Uç şaftı temiz olmalıdır.
2. Manşon geri yerine oturana kadar şaftı hafifçe çevirin.
3. Ucun doğru şekilde takıldığından emin olun.
NOT: Uç, düzgün şekilde takıldığında, alet tutucusunun **6** içinde ve dışında birkaç santimetre hareket ettirilebiliyor olmalıdır.
4. Ucu çıkarmak için kilitleme manşonunu geri çekin ve ucu çekerek dışarı çıkartın.

Uç Konumu Ayarı

Keskiyi istediğiniz konuma ayarlamak için, mod seçme birimini uç ayarlama simgesine çevirin (Bkz. **Mod Seçimi**). Keskinin açısını ayarlamak için birden fazla pozisyon mevcuttur.

NOT: İstenen konumu bulduktan sonra, keskinin düzgün bir şekilde takıldığından emin olmak için keski ucunu biraz ileri ve geri oynatın.

KULLANMA

Kullanma Talimatları

UYARI: Güvenlik talimatlarına ve geçerli yönetmeliklere daima uyun.

UYARI: Ciddi yaralanma riskini azaltmak için herhangi bir ayar yapmadan ya da parça veya aksesuarları söküp takmadan önce aleti kapatın ve güç kaynağından ayırın. Aletin yanlışlıkla çalıştırılması yaralanmaya neden olabilir.

Uygun El Pozisyonu (Şek. D)

UYARI: Ciddi yaralanma riskini azaltmak için, **DAİMA** şekilde gösterilen uygun el pozisyonunu kullanın.

UYARI: Ciddi yaralanma riskini azaltmak için, ani tepki ihtimaline karşı aleti **DAİMA** sıkıca tutun.

Doğru el pozisyonu bir el monte edilen yan tutamak **2**, diğer el ana tutamak **5** üzerinde olacak şekildedir.

Mod Seçimi (Şek. E)

UYARI: Çalışma modunu, alet çalışır durumdayken seçmeyin. Mod seçme düğmesini etkinleştirmeden önce alet tamamen durmalıdır; aksi takdirde alet zarar görebilir.

Aletinizde istediğiniz işlem için uygun çalışma modunu seçmek üzere bir mod seçme çarkı **4** bulunur.

Sembol	Mod	Uygulama
	Uç Ayarı	Keski ucu konum ayarı
	Kırma/yonıtma	Hafif yontma, kesme ve yıkım amaçlı parçalama

Bir mod seçmek için

- Mod seçme çarkını ok istenen moda ait sembolü gösterecek şekilde döndürün.

NOT: Mod seçme çarkındaki ok **4** daima bir mod simgesini göstermelidir. Arada başka çalışma pozisyonu yoktur.

Keski Konumunun İndekslenmesi (Şek. E)

Keski 24 farklı konumda indekslenip kilitlenebilir.

1. Mod seçme düğmesini **4** **0** konumunu gösterene kadar döndürün.
2. Keskiyi istenen konuma döndürün.
3. Mod seçme düğmesini **4** "Kırma/yonıtma" konumuna ayarlayın.
4. Keskiyi yerine oturana dek bükün.

Bir Uygulamanın Yürütülmesi (Şek. A, E)

UYARI: **KİŞİSEL YARALANMA RISKİNİ AZALTMAK İÇİN, DAİMA** üzerinde çalışılan parçanın sıkıca sabitlendiğinden veya sıkıştırıldığından emin olun.

NOT: Bu aletin çalışma sıcaklığı -7 ila +40 °C arasıdır. Aletin çalışma sıcaklık değerleri dışında kullanılması alet ömrünü kısaltır.

1. Uygun keskiyi yerleştirin ve istenen konuma kilitlemek için elle döndürün. Bkz. **Uç ve Uç Tutucu**.
2. Mod seçme çarkını **4** kullanarak yontma modunu seçin. Bkz. **Mod Seçimi**.
3. Yan tutamağı **2** gerektiği şekilde ayarlayın. Bkz. **Yan Tutamak Düzeneğinin Takılması**.
4. Keskiyi istenen konuma getirin.
5. ON/OFF (Açık/Kapalı) çalıştırma düğmesine **1** basın.
6. Çekici durdurmak için ON/OFF (Açık/Kapalı) çalıştırma düğmesini serbest bırakın.

BAKIM

Elektrikli aletiniz minimum bakımla uzun bir süre çalışacak şekilde tasarlanmıştır. Kesintisiz olarak memnuniyet verici bir şekilde çalışması gerekli özenin gösterilmesine ve düzenli temizliğe bağlıdır.



UYARI: Ciddi yaralanma riskini azaltmak için herhangi bir ayar yapmadan ya da parça veya aksesuarları söküp takmadan önce aleti kapatın ve güç kaynağından ayırın. Aletin yanlışlıkla çalıştırılması yaralanmaya neden olabilir.



Yağlama

Elektrikli aletiniz ek bir yağlama gerektirmemektedir.



Temizleme



UYARI: Havalandırma deliklerinde ve etrafında toz toplanması halinde bu tozu ve kiri kuru hava kullanarak ana gövdeden uzaklaştırın. Bu işlemi gerçekleştirirken onaylı bir göz koruması ve onaylı toz maskesi takın.



UYARI: Aletin metalik olmayan parçalarını temizlemek için asla çözücü veya başka sert kimyasal kullanmayın. Bu kimyasallar bu parçalarda kullanılan malzemeleri güçsüzleştirir. Yalnızca su ve yumuşak sabunla nemlendirilmiş bir bez kullanın. Aletin içine herhangi bir sıvının girmesine izin vermeyin; aletin herhangi bir parçasını bir sıvı içine daldırmayın.

İlave Aksesuarlar



UYARI: DEWALT tarafından tedarik veya tavsiye edilenler dışındaki aksesuarlar bu ürün üzerinde test edilmediğinden, söz konusu aksesuarların bu aletle birlikte kullanılması tehlikeli olabilir. Yaralanma riskini azaltmak için bu ürünle birlikte sadece DEWALT tarafından tavsiye edilen aksesuarlar kullanılmalıdır.

Uygun aksesuarlarla ilgili daha fazla bilgi almak için satış noktalarıyla görüşün.

Çevrenin Korunması



Ayrı toplama. Bu işaretlenmiş simgeyle ürün normal evsel atıklarla birlikte çöpe atılmamalıdır.

Bazı malzemeleri içeren ürün geri dönüştürülebilir veya geri kazanılabilir, bu da bazı hammaddeler için talebi azaltabilir. Lütfen elektrikli ürünleri yerel yasal mevzuata uygun şekilde geri dönüşüme tabi tutun. Daha ayrıntılı bilgiler www.2helpU.com adresinde mevcuttur.

Sanayi ve Ticaret Bakanlığı tebliğince kullanım ömrü 7 yıldır.

Türkiye Distribütörü

Stanley Black & Decker Turkey Alet Üretim San. Tic. Ltd.Şti.

AND Kozyatağı - İçerenköy Mah. Umut Sok. AND Ofis Sit. No:

10-12 / 82-83-84

Ataşehir/İstanbul, Türkiye

Tel: +90 216 665 2900

Faks: +90 216 665 2901

www.dewalt.com.tr

info-tr@sbdinc.com

DEWALT GARANTİ BELGESİ

İTHALATÇI FIRMA

Ünvanı : STANLEY BLACK&DECKER TURKEY ALET ÜRETİM SAN. TİC. LTD.ŞTİ.
Adresi : AND Kozyatağı - İçerenköy Mah. Umut Sok. AND Ofis Sit. No: 10-12 / 82-83-84
 Atasehir/İstanbul, TURKEY
Telefon No. : 0216 665 29 00
Faks No. : 0216 665 29 01
E-mail : info-tr@sbdinc.com



ÜRÜNÜN

Cinsi :
Markası : **DEWALT**
Modeli :
Seri Numarası :
Garanti Süresi : 2 YIL
Azami Tamir Süresi : 20 İŞ GÜNÜ

SATICI FİRMANIN

Ünvanı :
Adresi :
Telefon No. :
Faks No. :
Fatura Tarih ve No. :
Ürün Teslim Tarihi :
Ürün Teslim Yeri :
Belgeyi Dolduranın Adı Soyadı :

Kaşe - Yetkili İmza

GARANTİ ŞARTLARI

- Garanti süresi, malın teslim tarihinden itibaren başlar ve 2 yıldır.
- Malın bütün parçaları dahil olmak üzere tamamı firmamızın garantisine kapsamındadır.
- Malın ayıplı olduğunun anlaşılması durumunda tüketici, 6502 sayılı Tüketici Korunması Hakkında Kanununun 11 inci maddesinde yer alan;
 - Sözleşmeden dönme,
 - Satış bedelinden indirim isteme
 - Ücretsiz onarılmasını isteme
 - Satılanın ayıpsız bir misli ile değiştirilmesini isteme,
 haklarından birini kullanabilir.
- Tüketicinin bu haklardan ücretsiz onarım hakkını seçmesi durumunda satıcı; işçilik masrafı, değiştirilen parça bedeli ya da başka herhangi bir ad altında hiçbir ücret talep etmeksizin malın onarımını yapmak veya yaptırmakla yükümlüdür. Tüketici ücretsiz onarım hakkını üretici veya ithalatçıya karşı da kullanabilir.
- Satıcı, üretici ve ithalatçı tüketicinin bu hakkını kullanmasından müteselsilen sorumludur.
- Tüketicinin, ücretsiz onarım hakkını kullanması halinde malın;
 - Garanti süresi içinde tekrar arızalanması,
 - Tamiri için gereken azami sürenin aşılması,
 - Tamirinin mümkün olmadığını, yetkili servis istasyonu, satıcı, üretici veya ithalatçı tarafından bir raporla belirlenmesi
 durumlarında; tüketici malın bedel iadesini, ayıp oranında bedel indirimini veya imkan varsa malın ayıpsız misli ile değiştirilmesini satıcıdan talep edebilir.
- Satıcı, tüketicinin talebini reddedemez. Bu talebin yerine getirilmemesi durumunda satıcı, üretici ve ithalatçı müteselsilen sorumludur.
- Malın tamir süresi 20 iş gününü geçemez. Bu süre, garanti süresi içerisinde mala ilişkin arızanın yetkili servis istasyonuna veya satıcıya bildirim tarihinde, garanti süresi dışında ise malın yetkili servis istasyonuna teslim tarihinden itibaren başlar. Malın arızasının 10 iş günü içerisinde giderilmemesi halinde, üretici veya ithalatçı; malın tamiri tamamlanmaya kadar, benzer özelliklere sahip başka bir malı tüketicinin kullanımına tahsis etmek zorundadır. Malın garanti süresi içerisinde arızalanması durumunda, tamirde geçen süre garanti süresine eklenir.
- Malın kullanma kılavuzunda yer alan hususlara aykırı kullanılmasından kaynaklanan arızalar garanti kapsamı dışındadır.
 - Garanti kapsam şartları ;
 - Ürün hatalı kullanılmamıştır.
 - Ürün yıpranmamış, hırpalanmamış ve aşınmamıştır.
 - Yetkili olmayan kişilerce tamire çalışmamıştır.
 - Satın alma belgesi (fatura) ibraz edilmiştir.
 - Ürün, tüm orijinal parçaları ile iade edilmiştir.
- Tüketici, garantiden doğan haklarının kullanılmasında ilgili olarak çıkabilecek uyuşmazlıklarda yerleşim yerinin bulunduğu veya tüketici işleminin yapıldığı yerdeki Tüketici Hakem Heyetine veya Tüketici Mahkemesine başvurabilir.
- Satıcı tarafından bu Garanti Belgesinin verilmesi durumunda, tüketici Gümrük ve Ticaret Bakanlığı Tüketicinin Korunması ve Piyasa Gözetimi Genel Müdürlüğüne başvurabilir.

EEE Yönetmeliğine uygundur.



KULLANMA KILAVUZU İÇİN EK BİLGİLER

-Taşıma ve nakliye sırasında dikkat edilecek hususlar;
Cihazı taşıma ve nakliye esnasında hasar verecek şekilde taşınmamalı, bir yerden bir yere fırlatılmamalı, istifleme yapılırken dikkat edilmeli.

-Gümrük ve Ticaret Bakanlığı uyarınca belirlenen kullanım ömürleri aşağıdaki gibidir;

Testere Makineleri	7 yıl
Polisaj Makineleri	7 yıl
Matkaplar	7 yıl
Vidalama Makineleri	7 yıl
Zımpara Makineleri	7 yıl

-Malın ayıplı olduğunun anlaşılması durumunda tüketici, 6502 sayılı Tüketici Korunması Hakkında Kanununun 11 inci maddesinde yer alan;

a- Sözleşmeden dönme,

b-Satış bedelinden indirim isteme

c-Ücretsiz onarılmasını isteme

d-Satılanın ayıpsız bir misli ile değiştirilmesini isteme,

haklarından birini kullanabilir.

-Tüketici, garantiden doğan haklarının kullanılması ile ilgili olarak çıkabilecek uyuşmazlıklarda yerleşim yerinin bulunduğu veya tüketici işleminin yapıldığı yerdeki Tüketici Hakem Heyetine veya Tüketici Mahkemesine başvurabilir.

ВІДБІЙНИЙ МОЛОТОК ДЛЯ РОБОТИ В ВАЖКИХ УМОВАХ D25892

Вітаємо вас!

Ви обрали інструмент виробництва компанії DeWALT. Ретельна розробка продукції, багаторічний досвід фірми у виробництві інструментів, різні вдосконалення, все це зробило інструменти DeWALT є одними із найнадійніших помічників для тих, хто використовує електричні інструменти у своїй професії.

Технічні дані

		D25892
Напруга	ВАС	230
Тип		1
Частота	Гц	50
Вхідна потужність	Вт	1700
Ударів за хв. без навантаження	уд./хв.	1105–2210
Одиниця ударної енергії (ЕРТА 05/2009)	J	19,4
Максимум Ударний джоуль	J	22,7
Тримач насадок		SDS MAX
Маса (включаючи ручку)	кг	10,0

Загальний значення рівня шуму та вібрації (триаксимальна векторна сума) відповідно до стандарту EN60745-2-6:

L_{pa} (рівень тиску звукового випромінювання)	дБ(A)	90
L_{wa} (рівень акустичної потужності)	дБ(A)	101
K (похибка для даного рівня гучності)	дБ(A)	3
Робота долотом		
Значення вібрації, $a_{h, Cheq} =$	m/s^2	13,5*
Похибка K =	m/s^2	1,5

*Виміряно на боковій ручці. Вібрація бокової ручки вище, ніж вібрація основної ручки.

Значення вібрації та/або шуму, наведене в цьому документі, було виміряне згідно зі стандартизованим тестом, викладеним в EN60745 та може використовуватись для порівняння інструментів. Це значення вібрації можна також використовувати для попередньої оцінки впливу вібрації.

⚠ ОБЕРЕЖНО: Заявлене значення вібрації та/або шуму відповідає вимогам цільового використання інструмента. Однак якщо інструмент використовується для виконання інших завдань, або з іншими витратними матеріалами/насадками, або не обслуговується належним чином, значення вібрації та/або шуму може відхилитися. Це може значно збільшити рівень впливу протягом усього періоду роботи.

Оцінка рівня впливу вібрації та/або шуму має враховувати час, протягом якого інструмент є вимкненим, а також час, протягом якого він є ввімкненим, але не використовується. Це може

значно зменшити рівень впливу протягом усього періоду роботи.

Визначення додаткових заходів безпеки для захисту оператора від впливу вібрації та/або шуму: технічне обслуговування інструмента та приладдя, утримання рук у теплі (має значення для вібрації), організація режиму роботи.

Декларація про відповідність ЄС ДИРЕКТИВА ДЛЯ МЕХАНІЧНОГО ОБЛАДНАННЯ



Відбійний молоток для роботи в важких умовах D25892

DeWALT заявляє, що ці продукти, описані в розділі **Технічні дані**, відповідають наступним вимогам:

2006/42/EC, EN60745-1:2009+A11:2010, EN60745-2-6:2010, 2000/14/EC, електричний бетонолом (переносний), $m \leq 15$ кг, Додаток VIII, TÜV Rheinland LGA Products GmbH (0197), D-90431 Нюрнберг, Німеччина, ідентифікаційний № уповноваженого органу: 0197.

Рівень акустичної потужності відповідно до 2000/14/EC (Стаття 12, Додаток III, № 10; $m \leq 15$ кг):

L_{wa} (вимірний рівень акустичної потужності) дБ(A) 101
 L_{wa} (гарантований рівень акустичної потужності) дБ(A) 103

Ці продукти також відповідають вимогам Директив 2014/30/EU та 2011/65/EU. Для отримання додаткової інформації, будь ласка, звертайтеся до компанії DeWALT за адресою, вказаною нижче, або на зворотному боці цього керівництва.

Нижчепідписаний несе відповідальність за упорядкування файлу технічних характеристик та робить цю заяву від імені компанії DeWALT.

Маркус Ромпель
Віце-президент з інженерно-технічного забезпечення, PTE-Europe
DeWALT, Richard-Klinger-Straße 11,
D-65510, Idstein, Німеччина
02.11.2017



ПОПЕРЕДЖЕННЯ: Уважно прочитайте керівництво з експлуатації для зниження ризику отримання травми.

Позначення: інструкції з техніки безпеки

Умовні позначення, наведені нижче, описують рівень важливості кожної попереджувальної вказівки. Прочитайте керівництво з експлуатації та зверніть увагу на символи, наведені нижче.



НЕБЕЗПЕЧНО: Вказує на безпосередню загрозу, яка, якщо її не уникнути, призведе до смерті або серйозної травми.



ПОПЕРЕДЖЕННЯ: Вказує на потенційну загрозу, ігнорування якої може призвести до смерті або серйозної травми.



УВАГА: Вказує на потенційну загрозу, ігнорування якої може призвести до травми легкої або середньої тяжкості.

ПРИМІТКА: Вказує на ситуацію, не пов'язану з особою травмою, ігнорування цієї ситуації може призвести до пошкодження майна.



Вказує на ризик ураження електричним струмом.



Вказує на ризик виникнення пожежі.

ЗАГАЛЬНІ ПРАВИЛА БЕЗПЕКИ ПРИ ЕКСПЛУАТАЦІЇ ЕЛЕКТРИЧНОГО ІНСТРУМЕНТА



ПОПЕРЕДЖЕННЯ: Ознайомтеся з усіма попередженнями, інструкціями з техніки безпеки, зображеннями та специфікаціями, які поставляються з даним електричним інструментом. Невиконання нижченаведених інструкцій може призвести до ураження електричним струмом, пожежі та/або серйозних тілесних ушкоджень.

ЗБЕРІГАЙТЕ ВСІ ПОПЕРЕДЖЕННЯ ТА ІНСТРУКЦІЇ ДЛЯ ПОДАЛЬШОГО ВИКОРИСТАННЯ.

Термін «електричний інструмент» в усіх попередженнях стосується використовуваних вами інструментів, що живляться від мережі енергопостачання (з електричним кабелем) або від акумуляторів (без кабелю).

1) Безпека робочої зони

- Робоча зона завжди має бути чистою та добре освітленою.** Захаращена або темна робоча зона призводить до нещасних випадків.
- Не використовуйте електричні інструменти у вибухонебезпечній атмосфері, наприклад поруч із вогнебезпечними рідинами, газами та пилом.** Електричні інструменти створюють іскри, що можуть запалити пил або пар.
- Тримайте дітей та сторонніх подалі під час використання інструмента.** Відвернення уваги може призвести до втрати контролю.

2) Електрична безпека

- Вилка електричного інструмента повинна відповідати розетці. Ніколи жодним чином не змінюйте вилку. Не використовуйте адаптери з замкнутими на землю (заземленими) електричними інструментами.** Немодифіковані вилки та розетки, що підходять до них, зменшують ризик ураження електричним струмом.
- Уникайте контакту тіла з заземленими поверхнями, такими як труби, радіатори, плити та холодильники.** Якщо ваше тіло заземлене, збільшується ризик ураження електричним струмом.
- Не залишайте електричні інструменти під дощем або в умовах підвищеної вологості.** Вода, що потрапляє в електричний інструмент, підвищує ризик ураження електричним струмом.
- Не використовуйте кабель живлення не за призначенням. Ніколи не переносьте, не тягніть та не відключайте електричний інструмент від розетки живлення за допомогою шнура. Тримайте шнур подалі від високих температур, мастила, гострих предметів та рухомих деталей.** Пошкоджені або перекручені шнури підвищують ризик ураження електричним струмом.
- При використанні електричного інструмента на вулиці, використовуйте подовжувальний шнур, що підходить для використання на вулиці.** Використання шнура, що призначений для використання поза приміщенням, знижує ризик ураження електричним струмом.
- Якщо неможливо уникнути використання електричного інструмента в умовах підвищеної вологості, використовуйте живлення, захищене пристроєм залишкового струму (RCD).** Використання RCD знижує ризик ураження електричним струмом.

3) Особиста безпека

- Будьте в стані готовності, дивіться, що ви робите, та будьте розсудливі, працюючи з електричним інструментом. Не використовуйте електричний інструмент, коли ви втомлені або знаходитесь під впливом наркотичних речовин, алкоголю або ліків.** Втрата уваги під час роботи з електричними інструментами може призвести до серйозних травм.
- Використовуйте особисті засоби безпеки. Завжди використовуйте засоби захисту очей.** Засоби безпеки, такі як протипилова маска, неслизькі безпечні черевки, захисний шолом та засоби захисту слухового апарату при використанні для відповідних умов зменшують імовірність особистих травм.
- Уникайте випадкового запуску. Переконайтеся в тому, що вимикач знаходиться в позиції Вимк., перш ніж підключати інструмент до джерела живлення та/або акумулятора,**

переміщувати або переносити. Може статися нещасний випадок, коли ви переносите інструмент, тримаючи палець на вимикачі, або підключаєте живлення до вимикача в позиції Увіім.

- d) **Зніміть усі ключі для регулювання або гайкові ключі, перш ніж вмикати електричний інструмент.** Гайковий ключ, що залишився прикріпленим до якоїсь деталі електричного пристрою, що обертається, може призвести до травм.
- e) **Не прикладайте надмірного зусилля. Завжди утримуйте правильну постановку ніг і рівновагу.** Це дає вам змогу краще контролювати інструмент в неочікуваних ситуаціях.
- f) **Одягайтеся відповідним чином. Не вдягайте вільний одяг або прикраси. Тримайте ваше волосся та одяг подалі від рухомих деталей.** Вільний одяг, прикраси або довге волосся можуть зачепитися за рухомі деталі.
- g) **Якщо передбачені пристрої для підключення до засобів виділення та збирання пилу, переконайтеся, що вони правильно підключені та використовуються.** Використання таких пристроїв зменшує ризик виникнення небезпечних ситуацій, що пов'язані з потраплянням пилу.
- h) **Навіть якщо ви добре знаєте інструмент та часто його використовуєте, не розслабляйтесь та не забувайте про принципи техніки безпеки.** Необережні дії можуть за долю секунди призвести до важких тілесних ушкоджень.

4) Використання електричного інструмента та догляд за ним

- a) **Не прикладайте надмірних зусиль під час роботи з інструментом. Використовуйте електричний інструмент, який відповідає завданню, що виконується.** Правильно обраний інструмент виконає завдання краще та безпечніше за умов, для яких він був розроблений.
- b) **Не використовуйте інструмент, якщо його неможливо ввімкнути та вимкнути за допомогою вимикача.** Будь-який електричний інструмент, яким неможливо керувати за допомогою вимикача, є небезпечним і має бути відремонтований.
- c) **Якщо вилка знімна, відключіть її від джерела живлення та/або вийміть акумулятор, перш ніж виконувати будь-які налаштування, змінювати додаткове обладнання або зберігати інструмент.** Ці профілактичні заходи зменшують ризик випадкового запуску електричного інструмента.
- d) **Зберігайте вимкнені електричні інструменти в недоступному для дітей місці та не дозволяйте особам, що не знайомі з електричним інструментом або цими інструкціями, використовувати електричний інструмент.** Електричні інструменти є

небезпечними, якщо вони використовуються некваліфікованими користувачами.

- e) **Технічне обслуговування електричних інструментів та приладдя. Перевіряйте неспіввісність, заїдання рухомих деталей, наявність пошкоджених частин та інших факторів, які можуть впливати на роботу електричного інструмента. Якщо є пошкодження, відремонтуйте електричний інструмент перед використанням.** Нещасні випадки часто є результатом того, що інструмент не пройшов відповідного технічного обслуговування.
- f) **Різальні інструменти мають бути гострими та чистими.** Правильно доглянуті різальні інструменти з гострими різальними кромками мають меншу імовірність заїдання, та ними легше керувати.
- g) **Використовуйте електричний інструмент, додаткові інструменти та деталі інструменту тощо у відповідності до цих інструкцій та відповідно до даного типу електричних інструментів, зважаючи на умови використання та роботу, яка має бути виконана.** Використання електричних інструментів не за призначенням може призвести до виникнення небезпечних ситуацій.
- h) **Всі ручки та поверхні для тримання інструмента мають бути сухими, без залишків мастила.** Слизькі ручки та поверхні для тримання не дозволяють безпечно працювати та контролювати інструмент у неочікуваних ситуаціях.

5) Обслуговування

- a) **Надавайте ваш електричний інструмент для обслуговування кваліфікованим спеціалістом з ремонту та використовуйте тільки ідентичні замініні деталі.** Це забезпечить безпеку електричного пристрою.

Додаткові правила з техніки безпеки для відбійних молотків

- **Використовуйте засоби захисту слуху.** Шум може викликати втрату слуху.
- **Використовуйте додаткову ручку, що надається з інструментом.** Втрата контролю над інструментом може викликати травми.
- **Тримайте інструмент за ізольовану поверхню при виконанні операцій коли ріжучі аксесуари можуть торкнутися проводки або власного кабелю.** Ріжучі елементи при контакті з дротом під напругою може призвести до появи напруги в інструменті та ураження оператора електричним струмом.
- **Використовуйте затискач або інший спосіб закріплення деталі, що оброблюється, на стабільній платформі.** Утримування заготовки в руці та притискання її до тіла робить її нестабільною та може призвести до втрати контролю.

- **Використовуйте захисні окуляри або інші засоби захисту очей.** Під час використання перфоратора може відлітати стружка. Частинки, що розлітаються, можуть спричинити незворотне пошкодження очей. Використовуйте протипилову маску або респіратор для виконання завдань з утворенням пилу. Для більшості робіт вимагаються засоби захисту органів слуху.
- **Постійно міцно тримайте інструмент.** Не намагайтесь використовувати інструмент, тримаючи його лише однією рукою. Рекомендовано постійно використовувати бокову ручку. Робота з інструментом, тримаючи його однією рукою, може призвести до втрати контролю. Пробивання або контакт з твердими матеріалами, наприклад, арматурним стрижнем, також може нести небезпеку. Перед використанням надійно затягніть бокову ручку.
- **Не використовуйте інструмент тривалий час.** Вібрація, спричинена перфоратором, може бути шкідливою для ваших рук. Використовуйте рукавиці для захисту та обмежуйте вплив вібрації, роблячи часті перерви.
- **Не ремонтуйте насадки самостійно.** Ремонт насадок повинен виконуватися авторизованим спеціалістом з ремонту. Неправильно відремонтоване долото може спричинити травму.
- **Використовуйте рукавиці при роботі з інструментом або зміні насадок.** Доступні металеві деталі інструмента та насадки можуть бути дуже гарячими під час роботи. Невеликі уламки матеріалів можуть травмувати незахищені руки.
- **Ніколи не кладіть інструмент, доки насадка повністю не зупиниться.** Рухомі насадки можуть спричинити травму.
- **Не вибивайте затиснені насадки молотком, щоб їх вивільнити.** Уламки металу або стружка можуть також відлітати і спричинити травми.
- **Дещо зношене долото можна заточити за допомогою шліфування.**
- **Утримуйте шнур живлення подалі від насадок.** Не накручуйте шнур на будь-яку частину власного тіла. Якщо електричний шнур накручується на насадку, що обертається, це може спричинити травму або втрату контролю.

⚠ УВАГА: Ми рекомендуємо використовувати пристрій з керуванням диференційним струмом з номінальним значенням диференційного струму 30 мА або менше.

Залишкові ризики

Дотримання всіх правил техніки безпеки та застосування пристроїв безпеки не гарантує уникнення певних залишкових ризиків. До такого переліку належать:

- Порушення слуху.
- Ризик тілесних ушкоджень через частинки, які розлітаються.

- Ризик опіків через нагрівання приладдя під час роботи.
- Ризик тілесних ушкоджень через занадто тривале використання.

ЗБЕРІГАЙТЕ ЦІ ІНСТРУКЦІЇ

Електрична безпека

Електричний двигун розроблений для роботи лише з одним значенням напруги. Завжди перевіряйте відповідність джерела живлення напрузі, яка вказана на табличці з паспортними даними.



Ваш DeWALT зарядний пристрій має подвійну ізоляцію відповідно до EN60745-тému заземлення не є необхідним.

Якщо кабель живлення пошкоджений, тільки компанія DeWALT або уповноважена сервісна організація може виконувати його заміну.

Використання електричного подовжувача

Якщо необхідний подовжувач, використовуйте рекомендований 3-жильний подовжуючий шнур, що підходить для споживаної потужності інструменту (див. **Технічні дані**). Мінімальний розмір проводника становить 1,5 мм²; максимальна довжина — 30 м.

При використанні кабельного барабану завжди витягуйте весь кабель.

Комплект поставки

Комплект містить:

- 1 Відбійний молоток
- 1 Бокова ручка
- 1 Посібник з експлуатації

- Перевірте інструмент, деталі та приладдя на пошкодження, що могли виникнути під час транспортування.
- Перед використанням уважно прочитайте та повністю зрозумійте це керівництво.

Маркування інструмента

На інструменті є наступні піктограми:



Прочитайте інструкції цього керівництва перед використанням.



Використовуйте засоби захисту органів слуху.



Використовуйте засоби захисту очей.

Розташування коду дати (Рис. [Fig.] A)

Код дати **11**, що включає також рік виробництва, зазначений на корпусі.

Приклад:

2019 XX XX
Рік виробництва

Опис (рис. А)

! **УВАГА:** Ніколи не модифікуйте електричні інструменти та їхні деталі. Інакше вони можуть стати причиною пошкодження майна або тілесних ушкоджень.

- | | |
|---|---|
| <p>1 Двопозиційний перемикач</p> <p>2 Бокова ручка</p> <p>3 Передня втулка (муфта)</p> <p>4 Селектор режиму</p> <p>5 Основна ручка</p> <p>6 Тримач насадок</p> <p>7 Затискне кільце</p> | <p>8 Електронний регулятор швидкості і сили удару</p> <p>9 Монтажні отвори для етикетки інструменту DEWALT</p> <p>10 Гвинт для монтажу бокової ручки</p> <p>11 Код дати</p> |
|---|---|

Область застосування

Ваш відбійний молоток призначений для професійних робіт з додання і буріння.

НЕ використовуйте за умов підвищеної вологості або у присутності легкозаймистих рідин та газів.

Цей відбійний молоток є професійним електричним інструментом.

НЕ дозволяйте дітям підходити та торкатися інструмента. Використання інструмента недосвідченими операторами потребує нагляду.

- **Діти та хворі люди.** Цей пристрій не призначений для використання дітьми та особами з обмеженими фізичними або розумовими можливостями без нагляду.
- Цей пристрій не призначений для використання особами (включаючи дітей) із зниженими фізичними, сенсорними або розумовими можливостями або особами, яким бракує досвіду або знань за винятком випадків, коли такі особи працюють під наглядом особи, яка несе відповідальність за їх безпеку. Не можна залишати дітей наодинці з цим пристроєм.

Система контролю активної вібрації (AVC)

Для кращого контролю вібрації утримуйте інструмент, як описано у розділі **Правильне положення рук**, і застосуйте достатнє зусилля, щоб амортизатор на основній ручці був приблизно посередині.

Контроль активної вібрації нейтралізує вібрацію ударного механізму. Зниження впливу вібрації на руки оператора забезпечує зручність експлуатації інструмента протягом тривалої роботи і збільшує термін служби інструмента.

Перфоратору потрібен лише достатній тиск, здатний задіяти контроль активної вібрації. Надмірна сила не збільшить швидкість інструмента, і контроль активної вібрації не буде задіяний.

Інструмент DEWALT підготовлений для етикетки (рис. А)**Додаткове приладдя**

Ваш перфоратор має монтажні отвори **9** і кріпильні елементи для встановлення етикетки для інструменту DEWALT. Для встановлення етикетки вам потрібна буре

насадка T20. Система етикеток для інструментів DEWALT розроблена для стеження та виявлення професійних електричних інструментів, обладнання та приладдя за допомогою програмного забезпечення DEWALT Tool Connect™. Додаткову інформацію про правильне встановлення етикеток інструменту DEWALT див. у розділі «Етикетки інструментів DEWALT» цього посібника.

Електронний регулятор швидкості і сили удару (рис. А)

Електронне керування швидкістю і силою удару забезпечує оптимальне керування інструментом для точного додання. Щоб налаштувати електронний регулятор швидкості і сили удару **8**, поверніть його на бажане значення. Чим більше це значення, тим вища швидкість та енергія удару. Налаштування регулятора роблять інструмент надзвичайно гнучким та адаптивним для багатьох завдань. Необхідне значення регулятора залежить від розміру насадки або твердості матеріалу, який обробляється.

- При доданні м'яких або крихких матеріалів, а також для забезпечення мінімального розколювання необхідно встановлювати регулятор на малі значення.
- При відбої більш твердих матеріалів необхідно повернути регулятор на великі значення.

МОНТАЖ ТА НАЛАШТУВАННЯ

! **ПОПЕРЕДЖЕННЯ:** Щоб знизити ризик серйозних травм, вимкніть інструмент та відключіть його від мережі живлення перед виконанням будь-яких налаштувань або зміння/встановлення насадок або приладдя. Випадковий запуск може призвести до травм.

Бокова ручка (рис. В)

! **УВАГА:** Щоб знизити ризик травм, **ЗАВЖДИ** користуйтеся інструментом з правильно встановленою боковою ручкою. Інакше під час роботи бокова ручка буде рухатися, що може спричинити втрату контролю над інструментом. Для кращого контролю утримуйте інструмент обома руками.

Бокова ручка **2** закріплюється в передній частині корпусу редуктора і може повертатися на 360°, що дозволяє використовувати інструмент правою або лівою рукою.

Монтаж бокової ручки в зборі (рис. В)

1. Розширте кільцевий отвір **12** бокової ручки **2**, повернувши гвинт для монтажу бокової ручки **10** проти годинникової стрілки.
2. Встановіть ручку на носову частину інструменту, пропустивши крізь сталеве кільце **12**, муфту **3** і затискне кільце, встановивши його на переднє кільце.
3. Поверніть зібрану бокову ручку у необхідну позицію.
4. Зафіксуйте бокову ручку на місці, надійно затягнувши гвинт для монтажу бокової ручки **10**, обертаючи його за годинниковою стрілкою до повної фіксації.

Насадки і тримач насадок

УВАГА: *Небезпека опіку. ЗАВЖДИ використовуйте рукавиці при зміні насадок. Доступні металеві деталі інструмента та насадки можуть бути дуже гарячими під час роботи. Невеликі уламки матеріалів можуть травмувати незахищені руки.*

УВАГА: *не намагайтеся затягувати або відпускати долото (або іншу насадку), тримаючи передню частину патрону та вмикаючі інструмент. Це може призвести до ушкодження патрону та травм.*

Відбійний молоток можна використовувати з різними типами насадок для долота, в залежності від виконуваної операції.

Завжди використовуйте гострі долота.

Установка та зняття насадок SDS MAX (рис. С)

ПРИМІТКА: перед установкою приладдя та насадки потрібно змащувати у місці встановлення SDS.

1. Відтягніть назад затискне кільце 7 та вставте хвостовик насадки. Хвостовик має бути чистим.
2. Злегка поверніть насадку, поки затискне кільце не повернеться на місце.
3. Переконайтеся, що насадка зафіксована належним чином.

ПРИМІТКА: при правильній установці в тримач інструментів 6 насадка повинна рухатися на кілька сантиметрів вперед-назад.

4. Щоб зняти насадку, потягніть назад муфту та витягніть насадку.

Налаштування положення насадки

Поверніть перемикач режимів на значок регулювання насадок (див. пункт **Вибір режиму**), щоб встановити долото в потрібне положення. Є кілька положень для встановлення кута долота.

ПРИМІТКА: знайшовши потрібне положення, трохи повертайте долото вперед-назад, щоб переконатися, що воно зафіксоване правильно.

РЕЖИМ РОБОТИ

Інструкції з використання

ПОПЕРЕДЖЕННЯ: *Завжди дотримуйтесь усіх інструкцій з техніки безпеки та відповідних норм.*

ПОПЕРЕДЖЕННЯ: *Щоб знизити ризик серйозних травм, вимкніть інструмент та відключіть його від мережі живлення перед виконанням будь-яких налаштувань або змінанням/встановленням насадок або приладдя. Випадковий запуск може призвести до травм.*

Належне положення рук (Рис. D)

ПОПЕРЕДЖЕННЯ: *Щоб знизити ризик серйозних травм, ЗАВЖДИ правильно розташуйте руки, як показано.*

ПОПЕРЕДЖЕННЯ: *Щоб знизити ризик серйозних травм, ЗАВЖДИ надійно тримайте інструмент, щоб попередити випадкову віддачу.*

При правильному положенні рук необхідно одну руку тримати на встановленій боковій ручці 2, а іншу — на основній ручці 5.

Вибір режиму (рис. E)

УВАГА: *не обирайте робочий режим під час роботи інструмента. До активації селектора режиму роботи дочекайтеся повної зупинки інструменту, інакше це може призвести до пошкодження інструменту.*

Ваш інструмент оснащений селектором режимів 4 для установки режиму відповідно до завдання, яке виконується.

Символ	Режим роботи	Застосування
	Налаштування насадки	Налаштування положення долота
	Довбання/відбій	Легке дроблення, довбання і руйнування

Вибір режиму

- Повертайте селектор режимів, поки стрілка не встановиться на символ, що відповідає обраному режиму.

ПРИМІТКА: стрілка на селекторі режимів 4 повинна завжди вказувати на один з позначених символів. У проміжках між символами немає робочих положень.

Регулювання положення долота (рис. E)

Цей інструмент дозволяє встановити і зафіксувати долото у 24 різних положеннях.

1. Поверніть перемикач селектору режимів 4 у положення.
2. Поверніть долото у необхідне положення.
3. Встановіть перемикач селектору режимів 4 у положення «Довбання/відбій».
4. Поверніть долото у бік потрібного положення.

Виконання операцій (рис. A, E)

УВАГА: *ЩОБ ЗНИЗИТИ РИЗИК ОТРИМАННЯ ТРАВМИ, ЗАВЖДИ надійно закріплюйте заготовку.*

ПРИМІТКА: Робоча температура цього інструменту варіюється від 7 до +40 °С. Використання інструменту за межами цього температурного діапазону значно скоротить його термін служби.

1. Вставте відповідне долото та поверніть його рукою для заблокування у бажаному положенні. Див. розділ **Насадки і тримач насадок**.
2. За допомогою селектору режимів 4 виберіть режим дроблення. Див. розділ **Вибір режиму**.
3. Встановіть бокову ручку 2 у необхідне положення. Див. розділ **Монтаж бокової ручки в зборі**.
4. Встановіть долото у потрібну точку.
5. Відпустіть двопозиційний перемикач 1.
6. Щоб зупинити молоток, відпустіть двопозиційний перемикач.

ТЕХНІЧНЕ ОБСЛУГОВУВАННЯ

Ваш електричний інструмент призначений для роботи протягом довгого часу з мінімальним обслуговуванням. Довга задовільна робота приладу залежить від належного обслуговування приладу та регулярного його очищення.

- ⚠ ПОПЕРЕДЖЕННЯ:** Щоб знизити ризик серйозних травм, вимкніть інструмент та відключіть його від мережі живлення перед виконанням будь-яких налаштувань або зніманням/встановленням насадок або приладдя. Випадковий запуск може призвести до травм.



Змащування

Ваш електричний інструмент не вимагає додаткового змащування.



Очищення

- ⚠ ПОПЕРЕДЖЕННЯ:** Коли пил та бруд стають помітними та починають накопичуватися біля вентиляційних отворів, видавайте бруд та пил зсередини основного корпусу за допомогою сухого повітря. Використовуйте рекомендовані засоби захисту органів зору та рекомендовану протипилову маску при виконанні цієї операції.
- ⚠ ПОПЕРЕДЖЕННЯ:** Ніколи не використовуйте розчинники та інші агресивні хімічні засоби для очищення неметалевих деталей інструмента. Такі хімічні речовини можуть нанести шкоду матеріалам, що використовуються в цих деталях. Використовуйте вологу ганчірку, змочену лише водою з м'яким милом. Не дозволяйте рідині потрапляти всередину інструмента та ніколи не занурюйте деталі інструмента в рідину.

Додаткові аксесуари

- ⚠ ПОПЕРЕДЖЕННЯ:** Оскільки інше приладдя, що не зазначене виробником DEWALT, не перевірялося з цим пристроєм, його використання з інструментом може бути небезпечним. Необхідно використовувати лише рекомендовані DEWALT приладдя з цим пристроєм, щоб знизити ризик отримання травми.

Зверніться до свого дилера для отримання подальшої інформації щодо відповідного приладдя.

Захист навколишнього середовища



Роздільний збір. Пристрої позначені цим символом, не можна викидати зі звичайним побутовим сміттям.

Пристрої містять матеріали, які можна відновити та переробити, що зменшить потребу у сировині.

Утилізуйте електротехнічну продукцію відповідно до місцевих положень. Більш детальну інформацію можна отримати на сайті www.2helpU.com.



Виробник:
"Stanley Black & Decker Deutschland GmbH" Black-&-Decker Str.40, D-65510 Idstein, Німеччина

060



