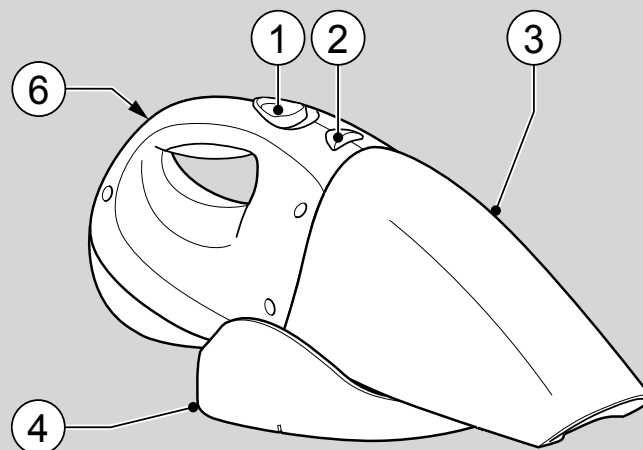
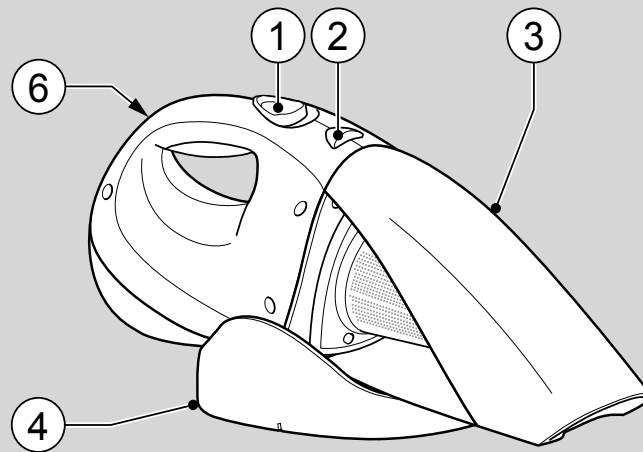
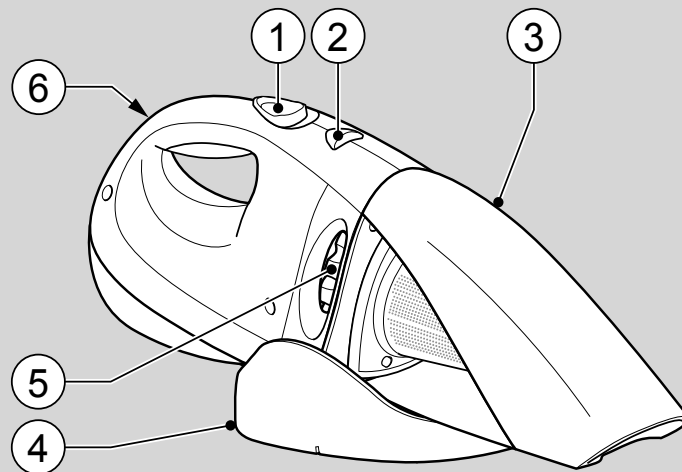
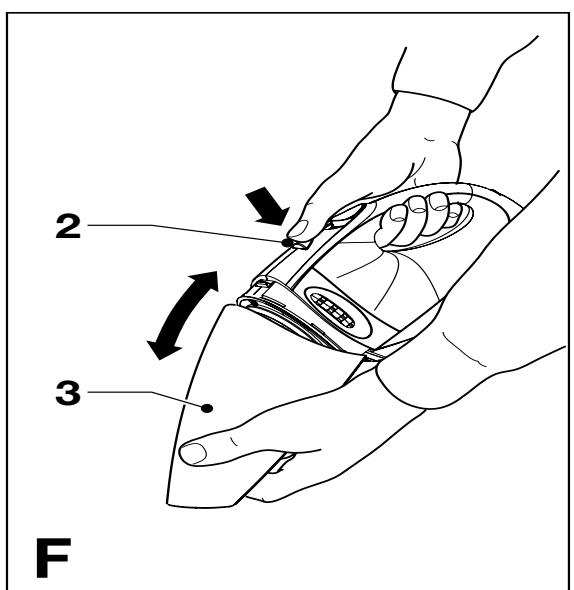
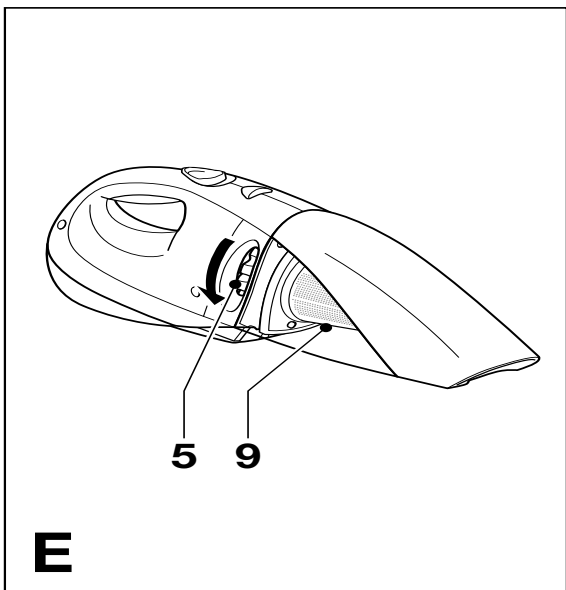
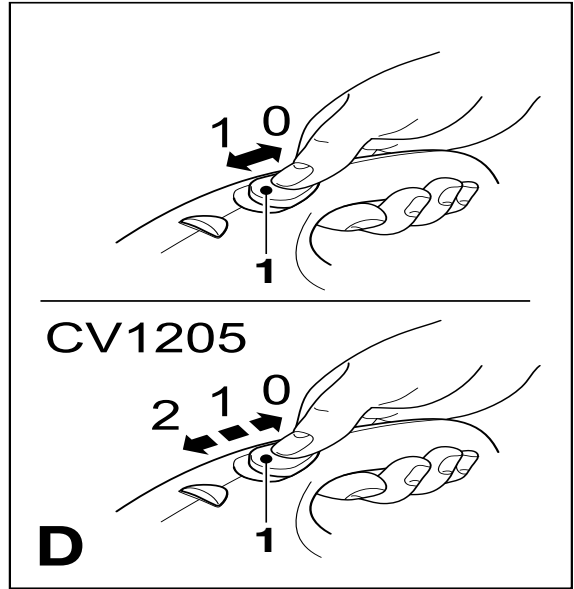
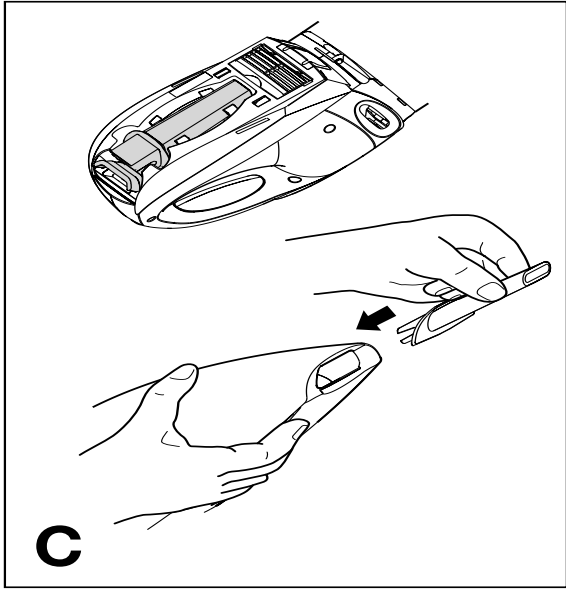
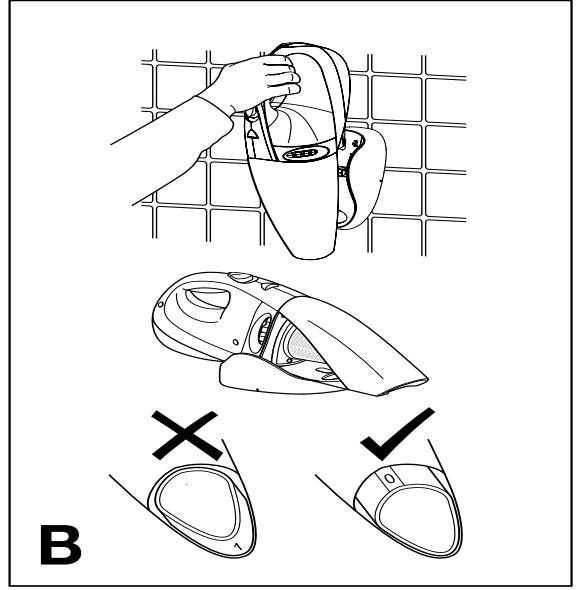
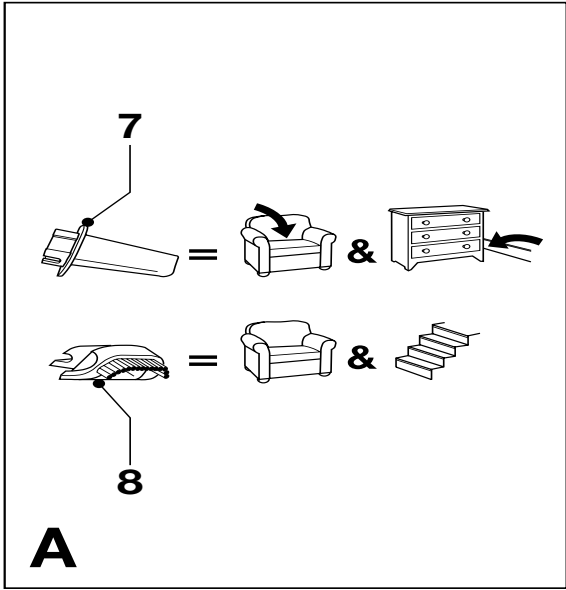


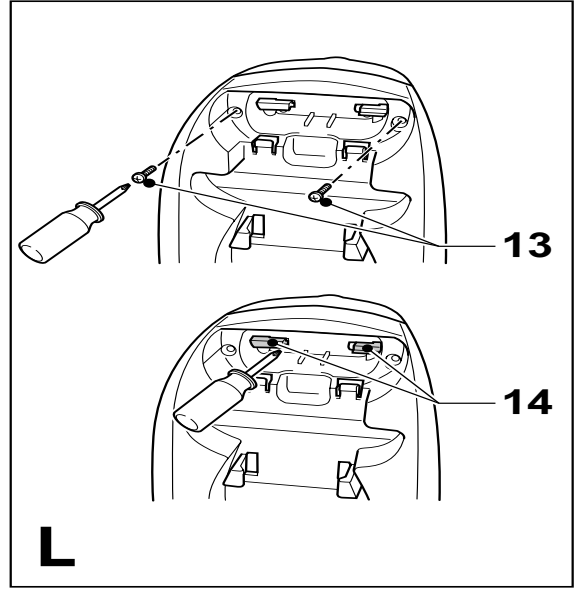
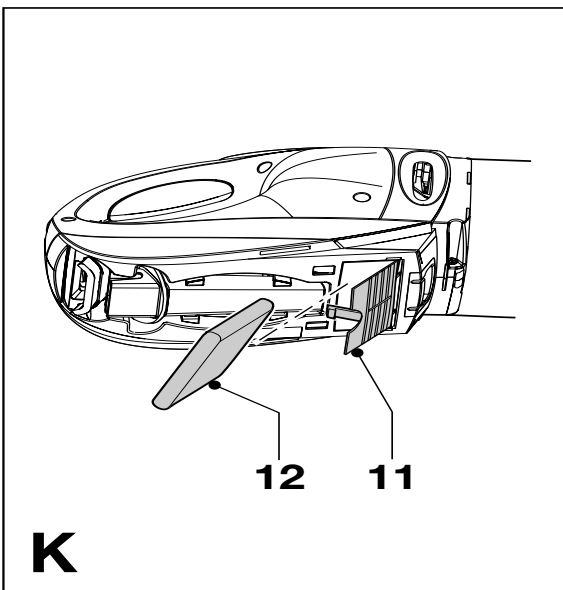
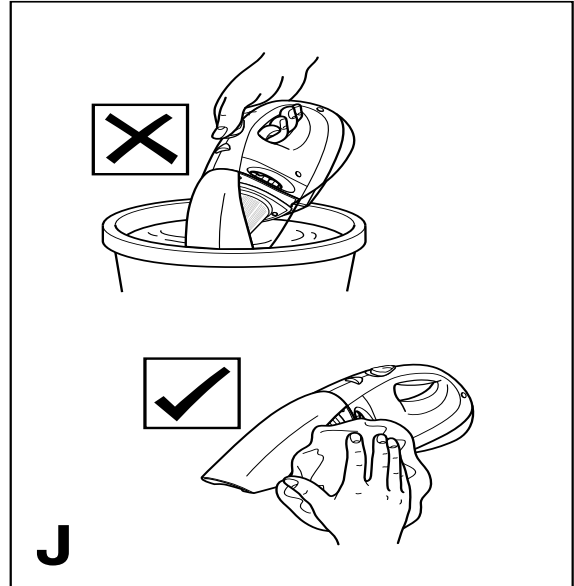
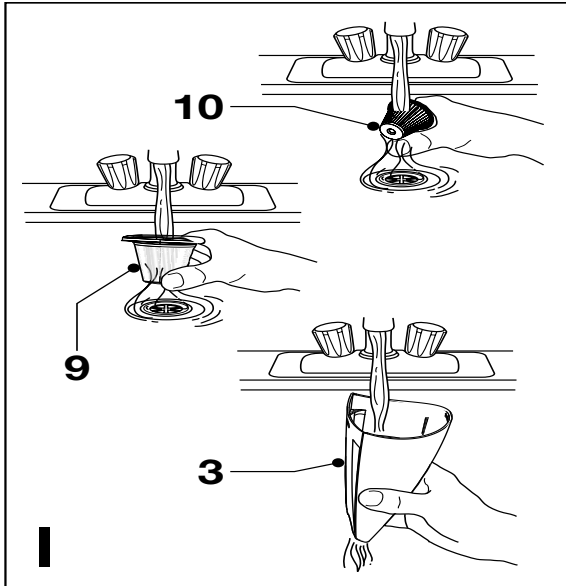
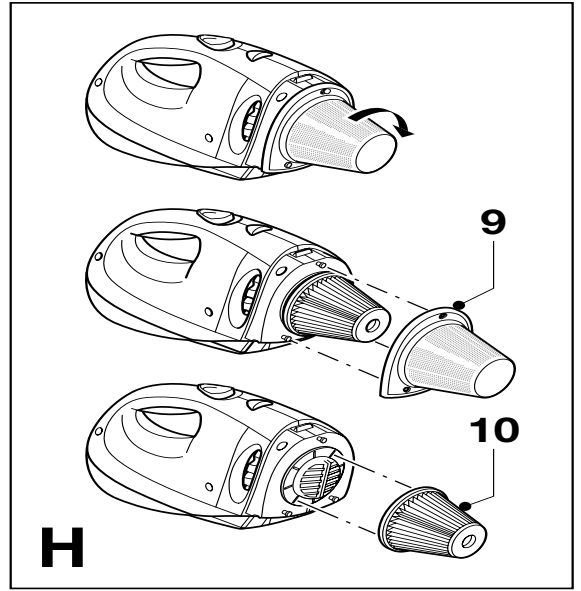
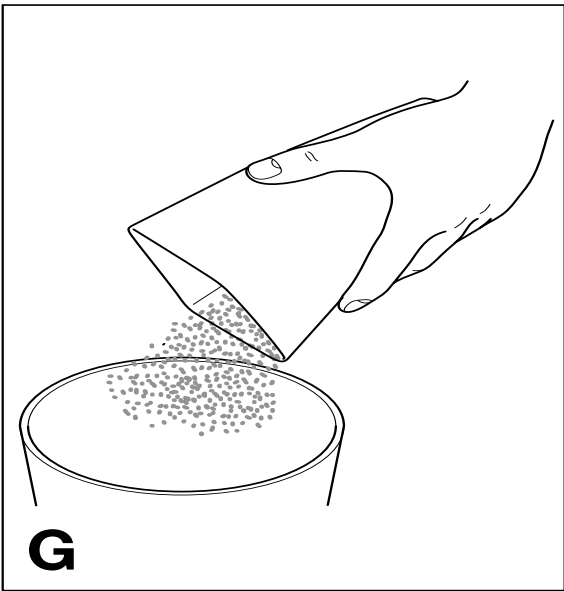


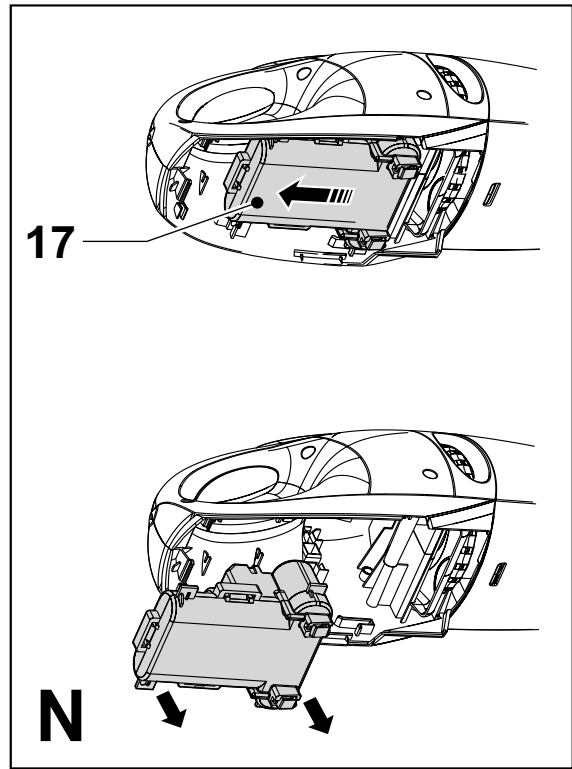
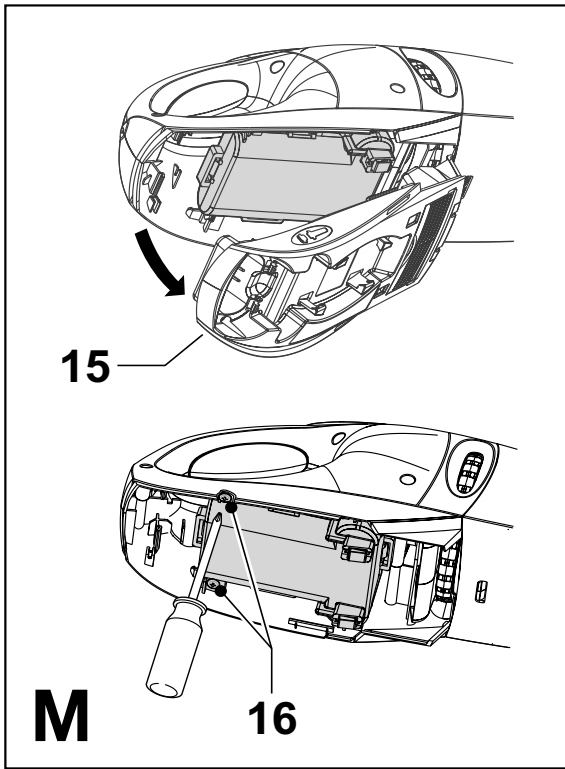
BLACK & DECKER®

www.blackanddecker.co.uk









Intended use

Your Black & Decker Dustbuster® hand held vacuum cleaner has been designed for light dry vacuum cleaning purposes. This product is intended for household use only.

Safety instructions

- **Warning!** When using batterypowered appliances, basic safety precautions, including the following, should always be followed to reduce the risk of fire, leaking batteries, personal injury and material damage.
- Read this manual carefully before using the appliance.
- The intended use is described in this manual. The use of any accessory or attachment or the performance of any operation with this appliance other than those recommended in this instruction manual may present a risk of personal injury.
- Leaks from battery cells can occur under extreme conditions. If the liquid, which is 20-35% solution of potassium hydroxide, gets on the skin (1) Wash quickly with soap and water (2) neutralize with a mild acid such as lemon juice or vinegar. If liquid gets into the eyes, flush them immediately with clean water for a minimum of 10 mins. Seek medical attention
- Retain this manual for future reference.

Additional safety instructions for Australia and New Zealand

- This appliance is not intended for use by young or infirm persons without supervision. Children must be supervised to ensure they do not play with the appliance.
- If the supply cord is damaged, it must be replaced by the manufacturer or an authorised Black & Decker Service Centre in order to avoid a hazard.

Using your appliance

- Do not use the appliance to pick up liquids or any materials that could catch fire.
- Do not use the appliance near water.
- Do not immerse the appliance in water.
- Never pull the charger lead to disconnect the charger from the socket. Keep the charger lead away from heat, oil and sharp edges.

After use

- Unplug the charger before cleaning the charger or charging base.
- When not in use, the appliance should be stored in a dry place.
- Children should not have access to stored appliances.

Inspection and repairs

- Before use, check the appliance for damaged or defective parts. Check for breakage of

parts, damage to switches and any other conditions that may affect its operation.

- Do not use the appliance if any part is damaged or defective.
- Have any damaged or defective parts repaired or replaced by an authorised repair agent.
- Regularly check the charger lead for damage. Replace the charger if the lead is damaged or defective.
- Never attempt to remove or replace any parts other than those specified in this manual.

Battery and charger

- Never attempt to open the battery.
- Do not expose the battery to water.
- Do not incinerate the battery.
- Do not expose the charger to water.
- Do not open the charger.

Electrical safety

Your charger has been designed for a specific voltage. Always check that the mains voltage corresponds to the voltage on the rating plate. Never attempt to replace the charger unit with a regular mains plug.

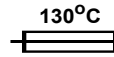
Symbols on the charger



Your charger is double insulated; therefore no earth wire is required.



Fail safe isolating transformer. The mains supply is electrically separated from the transformer output.



The charger automatically shuts off if the ambient temperature becomes too high. As soon as the ambient temperature has cooled down, the charger will resume operating.



The charger is intended for indoor use only.

Features

1. On/off switch
1. Two-speed on/off switch (CV1205/CHV1200/CHV1440)
2. Release button
3. Dust bowl
4. Charging base
5. Filter cleaning wheel (CV9605/CV1205/CHV9600/CHV1200/CHV1400)
6. Charging indicator

Fig. A

7. Crevice tool
8. Brush tool

Installation

Fitting the charging base to the wall

(fig. B)

The charging base can be placed on a worktop or fitted to the wall to provide a convenient storage and charging point for the appliance.

Assembly

Fitting the accessories (fig. A & C)

These models are supplied with the following accessories:

- a crevice tool (7) for confined spaces
- a brush tool (8) for furniture and stairs

To fit an accessory, proceed as follows:

- Take the accessories from the appliance.
- Insert the appropriate accessory into the front of the appliance.

Use

- Before charging, preferably discharge the battery by operating the appliance until motor slows (DO NOT run until the motor stops)
- Before first use, the battery must be charged for at least 16 hours. Place the appliance on the charging base whenever it is not in use.

Charging the battery (fig. B)

- Make sure that the appliance is switched off. The battery will not be charged with the on/off switch in the on position.
- Place the appliance on the charging base as shown.
- Plug in the charger. Switch on at the mains.

The charging indicator (6) will be lit.

- Leave the appliance to charge for at least 16 hours.

Whilst charging, the charger may become Warm. This is normal and does not indicate a problem. The appliance can be left connected to the charger indefinitely. The charging indicator will be lit as long as the appliance is connected to the plugged-in charger.

Warning! Do not charge the battery at ambient temperatures below 4 °C or above 40 °C.

Switching on and off (fig. D)

- 1 Speed Model:** To start, slide on/off switch forward to "1"(ie 0=off 1=on). To stop slide the switch back to "0".

- 2 Speed Model:** To start, slide on/off switch forward (ie 0=off, 1 = low speed, 2= high speed). To stop slide back to position "0"

CV9605/CV1205/CHV9600/CHV1200/CHV1440 - Optimising the suction force (fig. E)

In order to keep the suction force optimised, the filter must be cleared regularly during use.

- Rotate the wheel (5) a few turns to shake out dust clogging the filter (9).

Cleaning and maintenance

Warning! Regularly clean the filters.

Cleaning the dust bowl and filters (fig. F - I)

The filters are re-usable and should be cleaned regularly.

- Press the release button (2) and remove the dust bowl (3) (fig. F).
- Empty the dust bowl (fig. G).
- Remove the filters (9 & 10) by twisting them clockwise (fig. H).
- Brush any loose dust off the filters.
- Wash the filters in warm, soapy water (fig. I). The bowl can also be washed if necessary. Do not immerse the appliance in water (fig. J).
- Make sure the dust bowl and filters are dry.
- Refit the filters (9 & 10) onto the appliance, twisting them counterclockwise until they lock into place.
- Refit the dust bowl onto the appliance. Make sure the dust bowl clicks into place.

Warning! Never use the appliance without the filters. Optimum dust collection will only be achieved with clean filters and an empty dust bowl.

CV7205/CV9605/CV1205/CHV7200/CHV9600/CHV1200/CHV1440-

Cleaning

the exhaust filter (fig. K)

- Open the lid (11).
- Remove the filter (12) from the recess.
- Wash the filter in warm, soapy water.
- Make sure the filter is dry.
- Refit the filter (12).
- Close the lid.

Replacing the filters

The filters should be replaced every 6 to 9 months and whenever worn or damaged. Replacement filters are available from your Black & Decker dealer (cat. no. VF40).

Remove the old filters as described above. Fit the new filters as described above.

Protecting the environment



Should you find one day that your Black & Decker product needs replacement, or if it is of no further use to you, think of the protection of the environment. Black & Decker repair agents will accept old Black & Decker products and ensure that they are disposed of in an environmentally safe way.

Battery (fig. L - N)



If you want to dispose of the product yourself, the battery must be removed as described below and disposed of in accordance with local regulations.

- Preferably discharge the battery by operating the appliance until the motor stops.

The battery is located under the back end of the appliance.

- Take the accessories from the appliance.
- Remove the screws (13).
- Unlock the tabs (14) holding the accessory holder in place.
- Remove the accessory holder (15).
- Remove the screws (16) holding the battery in place.
- Slide the battery (17) backward as shown.
- Remove the battery.
- Place the battery in a suitable packaging

to ensure that the terminals cannot be short-circuited.

- Take the battery to your service agent or a local recycling station.

Warning! Once removed, the battery cannot be refitted.

Technical data

	V4805	V4806	V4807
Voltage V	4.8	4.8	4.8
Weight kg	1.0	1.0	1.0
	CV7205	CV9605	CV1205
Voltage V	7.2	9.6	12
Weight kg	1.1	1.3	1.4
	CHV4800	CHV7200	CHV9600
Voltage V	4.8	7.2	9.6
Weight kg	1.0	1.1	1.3
	CHV1200	CHV1440	
Voltage V	12.0	14.4	
Weight kg	1.4	1.5	

Charger

Input voltage VAC 230

Approx. charging time h 16

EC declaration of conformity

**V4805/V4806/V4807/CV7205/CV9605/CV1205/
CHV4800/CHV7200/CHV9600/CHV1200/CHV1440**

Black & Decker declares that these products conform to:

89/336/EEC, 73/23/EEC, EN 55014, EN 60335, EN 61000



Colin Wills, Director of Engineering
BDCI, 4/F, 2 Dai Wang Street
Tai Po Industrial Estate
Tai Po NT, Hong Kong
1-1-2004

Guarantee

Black & Decker is confident of the quality of its products and offers an outstanding guarantee. This guarantee statement is in addition to and in no way prejudices your statutory rights. The guarantee is valid within the territories of the Member States of the European Union and the

European Free Trade Area. If a Black & Decker product becomes defective due to faulty materials, workmanship or lack of conformity, within 24 months from the date of purchase, Black & Decker guarantees to replace defective parts, repair products subjected to fair wear and tear or replace such products to ensure minimum inconvenience to the customer unless:

- The product has been used for trade, professional or hire purposes;
- The product has been subjected to misuse or neglect;
- The product has sustained damage through foreign objects, substances or accidents;
- Repairs have been attempted by persons other than authorised repair agents or

Black & Decker service staff.

To claim on the guarantee, you will need to submit proof of purchase to the seller or an authorised repair agent. You can check the location of your nearest authorised repair agent by contacting your local Black & Decker office at the address indicated in this manual.

Alternatively, a list of authorised Black & Decker repair agents and full details of our after-sales service and contacts are available on the Internet at:

www.2helpU.com

Please visit our website

www.blackanddecker.co.uk to register your new Black & Decker product and to be kept up to date on new products and special offers.

Further information on the Black & Decker brand and our range of products is available at

www.blackanddecker.co.uk

Australia

Black & Decker (Australia) Pty. Ltd.

20 Fletcher Road, Mooroolbark,

Victoria, 3138

Tel. 03-8720 5100

Fax 03-9727 5940

New Zealand

Black & Decker 81 Hugo Johnston Drive

Penrose, Auckland, New Zealand

Tel. 09 579 7600

Fax 09 579 8200

