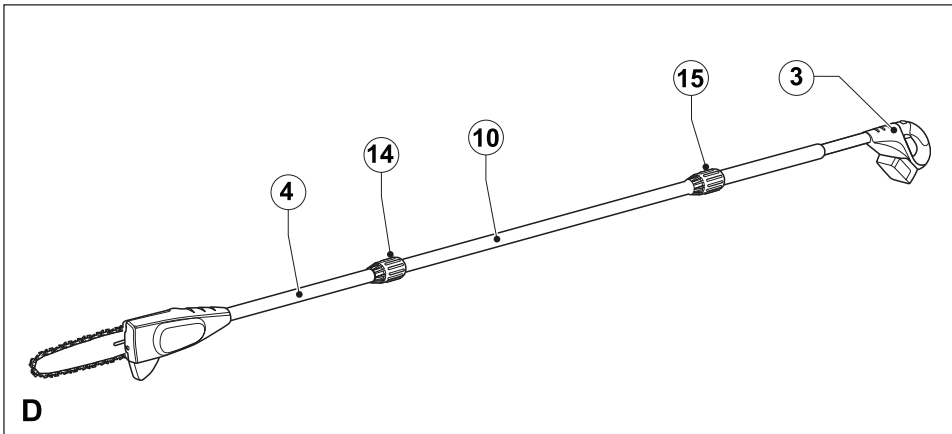
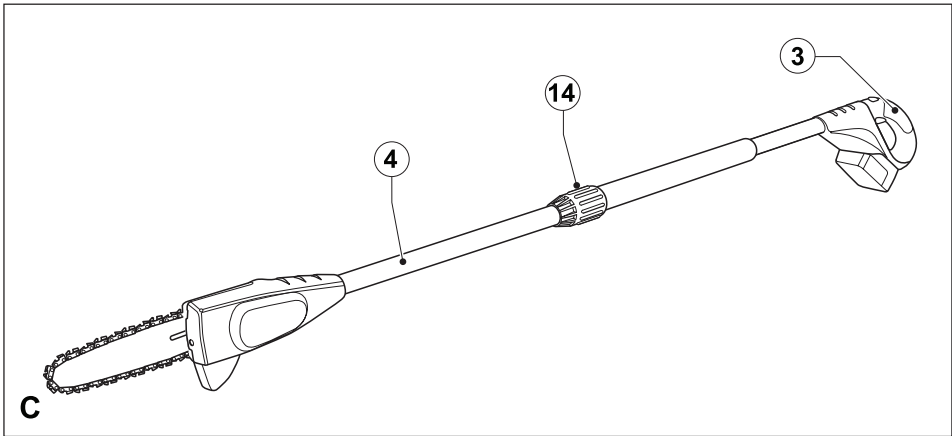
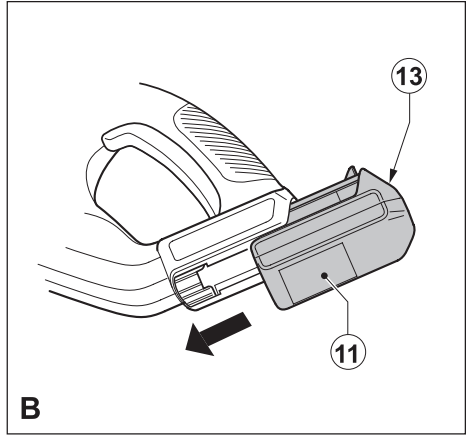
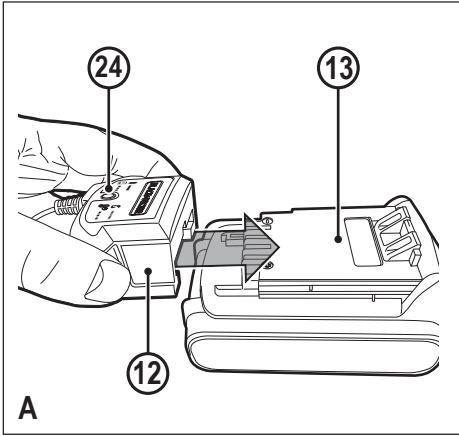
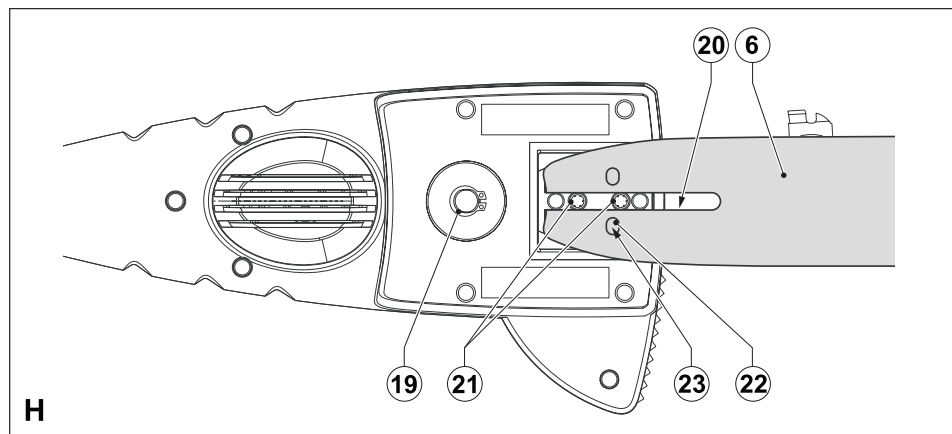
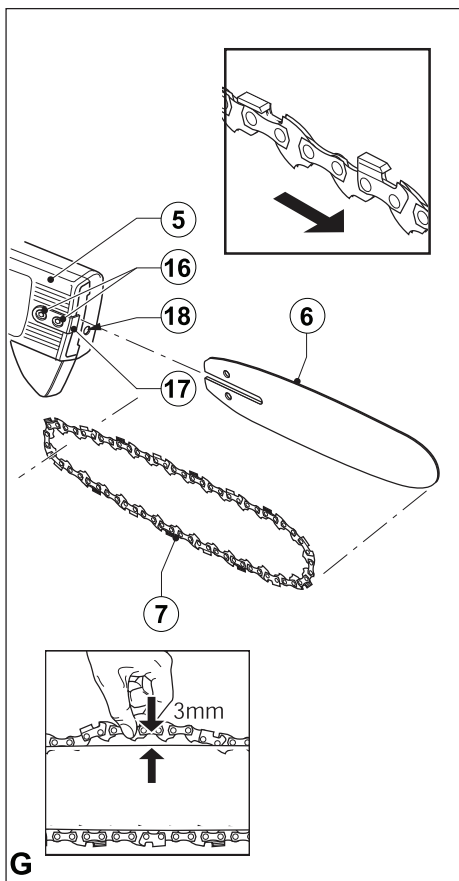
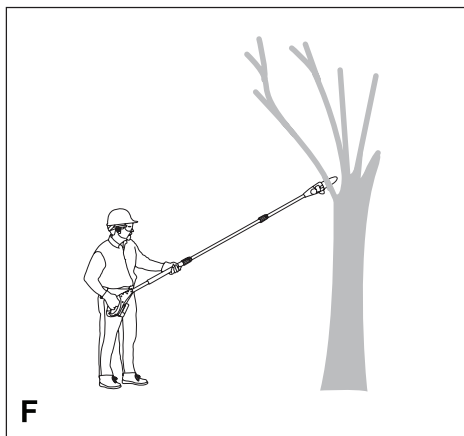
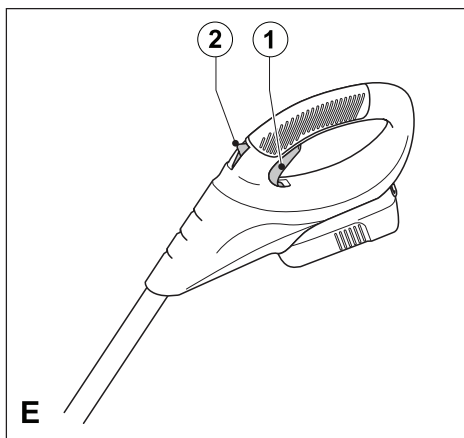


www.blackanddecker.eu

GPC1820L
PS1820ST1





Intended use

Your BLACK+DECKER GPC1820L, PS1820ST1 cordless pole pruner has been designed for pruning trees. This tool is intended for consumer use only.

Your BLACK+DECKER charger has been designed for charging BLACK+DECKER batteries of the type supplied with this tool.

Safety instructions

General power tool safety warnings



Warning! Read all safety warnings and all instructions. Failure to follow the warnings and instructions listed below may result in electric shock, fire and/or serious injury.

Save all warnings and instructions for future reference.

The term "power tool" in all of the warnings listed below refers to your mains operated (corded) power tool or battery operated (cordless) power tool.

1. **Work area safety**
 - a. **Keep work area clean and well lit.** Cluttered or dark areas invite accidents.
 - b. **Do not operate power tools in explosive atmospheres, such as in the presence of flammable liquids, gases or dust.** Power tools create sparks which may ignite the dust or fumes.
 - c. **Keep children and bystanders away while operating a power tool.** Distractions can cause you to lose control.
2. **Electrical safety**
 - a. **Power tool plugs must match the outlet. Never modify the plug in any way. Do not use any adapter plugs with earthed (grounded) power tools.** Unmodified plugs and matching outlets will reduce risk of electric shock.
 - b. **Avoid body contact with earthed or grounded surfaces such as pipes, radiators, ranges and refrigerators.** There is an increased risk of electric shock if your body is earthed or grounded.
 - c. **Do not expose power tools to rain or wet conditions.** Water entering a power tool will increase the risk of electric shock.
 - d. **Do not abuse the cord. Never use the cord for carrying, pulling or unplugging the power tool. Keep cord away from heat, oil, sharp edges or moving parts.** Damaged or entangled cords increase the risk of electric shock.
 - e. **When operating a power tool outdoors, use an extension cord suitable for outdoor use.** Use of a cord suitable for outdoor use reduces the risk of electric shock.
 - f. **If operating a power tool in a damp location is unavoidable, use a residual current device (RCD) protected supply.** Use of an RCD reduces the risk of electric shock.
3. **Personal safety**
 - a. **Stay alert, watch what you are doing and use common sense when operating a power tool. Do not use a power tool while you are tired or under the influence of drugs, alcohol or medication.** A moment of inattention while operating power tools may result in serious personal injury.
 - b. **Use personal protective equipment. Always wear eye protection.** Protective equipment such as dust mask, non-skid safety shoes, hard hat, or hearing protection used for appropriate conditions will reduce personal injuries.
 - c. **Prevent unintentional starting. Ensure the switch is in the off-position before connecting to power source and/or battery pack, picking up or carrying the tool.** Carrying power tools with your finger on the switch or energising power tools that have the switch on invites accidents.
 - d. **Remove any adjusting key or wrench before turning the power tool on.** A wrench or a key left attached to a rotating part of the power tool may result in personal injury.
 - e. **Do not overreach. Keep proper footing and balance at all times.** This enables better control of the power tool in unexpected situations.
 - f. **Dress properly. Do not wear loose clothing or jewellery. Keep your hair, clothing and gloves away from moving parts.** Loose clothes, jewellery or long hair can be caught in moving parts.
 - g. **If devices are provided for the connection of dust extraction and collection facilities, ensure these are connected and properly used.** Use of dust collection can reduce dust-related hazards.
4. **Power tool use and care**
 - a. **Do not force the power tool. Use the correct power tool for your application.** The correct power tool will do the job better and safer at the rate for which it was designed.
 - b. **Do not use the power tool if the switch does not turn it on and off.** Any power tool that cannot be controlled with the switch is dangerous and must be repaired.
 - c. **Disconnect the plug from the power source and/or the battery pack from the power tool before making any adjustments, changing accessories, or storing power tools.** Such preventive safety measures reduce the risk of starting the power tool accidentally.

- d. **Store idle power tools out of the reach of children and do not allow persons unfamiliar with the power tool or these instructions to operate the power tool.** Power tools are dangerous in the hands of untrained users.
 - e. **Maintain power tools. Check for misalignment or binding of moving parts, breakage of parts and any other condition that may affect the power tools operation. If damaged, have the power tool repaired before use.** Many accidents are caused by poorly maintained power tools.
 - f. **Keep cutting tools sharp and clean.** Properly maintained cutting tools with sharp cutting edges are less likely to bind and are easier to control.
 - g. **Use the power tool, accessories and tool bits etc. in accordance with these instructions, taking into account the working conditions and the work to be performed.** Use of the power tool for operations different from those intended could result in a hazardous situation.
5. **Battery tool use and care**
- a. **Recharge only with the charger specified by the manufacturer.** A charger that is suitable for one type of battery pack may create a risk of fire when used with another battery pack.
 - b. **Use power tools only with specifically designated battery packs.** Use of any other battery packs may create a risk of injury and fire.
 - c. **When battery pack is not in use, keep it away from other metal objects, like paper clips, coins, keys, nails, screws, or other small metal objects, that can make a connection from one terminal to another.** Shorting the battery terminals together may cause burns or a fire.
 - d. **Under abusive conditions, liquid may be ejected from the battery; avoid contact. If contact accidentally occurs, flush with water. If liquid contacts eyes, additionally seek medical help.** Liquid ejected from the battery may cause irritation or burns.
6. **Service**
- a. **Have your power tool serviced by a qualified repair person using only identical replacement parts.** This will ensure that the safety of the power tool is maintained.

Additional power tool safety warnings



Warning! Additional safety warnings for drills/screwdrivers

- ◆ **Wear ear protectors when impact drilling.** Exposure to noise can cause hearing loss.
- ◆ **Use auxiliary handles supplied with the tool.** Loss of control can cause personal injury.

- ◆ **Hold power tool by insulated gripping surfaces when performing an operation where the cutting accessory may contact hidden wiring.** Cutting accessory contacting a "live" wire may make exposed metal parts of the power tool "live" and could give the operator an electric shock.
- ◆ **Hold power tool by insulated gripping surfaces, when performing an operation where the fastener may contact hidden wiring.** Fasteners contacting a "live" wire may make exposed metal parts of the power tool "live" and could give the operator an electric shock.
- ◆ **Use clamps or another practical way to secure and support the workpiece to a stable platform.** Holding the work by hand or against your body leaves it unstable and may lead to loss of control.
- ◆ Before drilling into walls, floors or ceilings, check for the location of wiring and pipes.
- ◆ Avoid touching the tip of a drill bit just after drilling, as it may be hot.
- ◆ The intended use is described in this instruction manual. The use of any accessory or attachment or performance of any operation with this tool other than those recommended in this instruction manual may present a risk of personal injury and/or damage to property.

Safety of others

- ◆ This appliance can be used by children aged from 8 years and above and persons with reduced physical, sensory or mental capabilities or lack of experience and knowledge if they have been given supervision or instruction concerning use of the appliance in a safe way and understand the hazards involved.
- ◆ Children shall not play with the appliance. Cleaning and user maintenance shall not be made by children without supervision.

Residual risks

Additional residual risks may arise when using the tool which may not be included in the enclosed safety warnings. These risks can arise from misuse, prolonged use etc.

Even with the application of the relevant safety regulations and the implementation of safety devices, certain residual risks can not be avoided. These include:

- ◆ Injuries caused by touching any rotating/moving parts.
- ◆ Injuries caused when changing any parts, blades or accessories.
- ◆ Injuries caused by prolonged use of a tool. When using any tool for prolonged periods ensure you take regular breaks.
- ◆ Impairment of hearing.
- ◆ Health hazards caused by breathing dust developed when using your tool (example:- working with wood, especially oak, beech and MDF.)

Vibration

The declared vibration emission values stated in the technical data and the declaration of conformity have been measured in accordance with a standard test method provided by EN 60745 and may be used for comparing one tool with another. The declared vibration emission value may also be used in a preliminary assessment of exposure.

Warning! The vibration emission value during actual use of the power tool can differ from the declared value depending on the ways in which the tool is used. The vibration level may increase above the level stated.

When assessing vibration exposure to determine safety measures required by 2002/44/EC to protect persons regularly using power tools in employment, an estimation of vibration exposure should consider, the actual conditions of use and the way the tool is used, including taking account of all parts of the operating cycle such as the times when the tool is switched off and when it is running idle in addition to the trigger time.

Pruning

Before attempting to prune a tree, ensure there are not bylaws or regulations that would prohibit or control the felling of the tree.

- ◆ Be aware of the direction a branch may fall. Consider all conditions that may affect the direction of fall, including:
 - ◆ the length and weight of the branch to be cut
 - ◆ the intended direction of fall
 - ◆ any unusual heavy limb structure or decay
 - ◆ the presence of surrounding trees and obstacles, including overhead lines
 - ◆ the intertwinement with other branches
 - ◆ the speed and direction of the wind
- ◆ Consider access to the tree limb.

Tree branches are liable to swing towards the tree trunk. In addition to the user, any bystander, building or object below the branch is at risk of being struck by the branch.

Labels on tool

The following symbols are shown on the tool along with the date code:



Warning! To reduce the risk of injury, the user must read the instruction manual.



Do not expose the tool to rain or high humidity.



Beware of falling objects. Keep bystanders away.



Electrocution hazard. Keep at least 10 m away from overhead lines.



Always wear head and eye protection.



Wear non-slip safety footwear.



To ensure continued safe operation, check the chain tension as described in this manual after every 10 minutes of use, and adjust back to a clearance of 3 mm as required. Oil the chain after every 10 minutes of use.



Direction of rotation of the chain.



Warning! Do not touch chain at the chip ejection point.

Additional safety instructions for batteries and chargers

Batteries

- ◆ Never attempt to open for any reason.
- ◆ Do not expose the battery to water.
- ◆ Do not store in locations where the temperature may exceed 40 °C.
- ◆ Charge only at ambient temperatures between 10 °C and 40 °C.
- ◆ Charge only using the charger provided with the tool.
- ◆ When disposing of batteries, follow the instructions given in the section "Protecting the environment".
- ◆ Do not damage/deform the battery pack either by puncture or impact, as this may create a risk of injury and fire.
- ◆ Do not charge damaged batteries.
- ◆ Under extreme conditions, battery leakage may occur. When you notice liquid on the batteries, carefully wipe the liquid off using a cloth. Avoid skin contact.
- ◆ In case of skin or eye contact, follow the instructions below.

Warning! The battery fluid may cause personal injury or damage to property. In case of skin contact, immediately rinse with water. If redness, pain or irritation occurs seek medical attention. In case of eye contact, rinse immediately with clean water and seek medical attention.

Chargers

Your charger has been designed for a specific voltage. Always check that the mains voltage corresponds to the voltage on the rating plate.

- ◆ Use your BLACK+DECKER charger only to charge the battery in the tool with which it was supplied. Other batteries could burst, causing personal injury and damage.
- ◆ Never attempt to charge non-rechargeable batteries.
- ◆ Have defective cords replaced immediately.

- ◆ Do not expose the charger to water.
- ◆ Do not open the charger.
- ◆ Do not probe the charger.
- ◆ The charger must be placed in a well ventilated area when charging.

Symbols on the charger

The following symbols are found on your charger:



The charger is intended for indoor use only.



Read the instruction manual before use.

Electrical safety



Your charger is double insulated; therefore no earth wire is required. Always check that the mains voltage corresponds to the voltage on the rating plate. Never attempt to replace the charger unit with a regular mains plug.

- ◆ If the supply cord is damaged, it must be replaced by the manufacturer or an authorised BLACK+DECKER Service Centre in order to avoid a hazard.

Features

This appliance includes some or all of the following features.

1. On/off switch
2. Lock-off button
3. Main handle
4. Saw head
5. Sprocket cover
6. Guide bar
7. Chain
8. Chain sheath
9. Lubrication bottle
10. Extension tube
11. Battery

Fig. A

12. Charger

Assembly

Warning! Before assembly, remove the battery from the tool.

Fitting and removing the battery (fig. B)

- ◆ To fit the battery (11), line it up with the receptacle on the tool. Slide the battery into the receptacle and push until the battery snaps into place.
- ◆ To remove the battery, push the release button (13) while at the same time pulling the battery out of the receptacle.

Warning! To prevent accidental operation, ensure that the battery is removed and that the chain sheath is in place on the saw chain before performing the following operations. Failure to do this could result in serious personal injury.

Fitting the saw head (fig. C)

The saw head can be fitted directly to the handle in order to achieve standard reach.

- ◆ Align the groove on the outside of the coupling end of the handle (3) with the tongue on the inside of the coupling end of the saw head (4). Push the saw head (4) onto the handle (3).
- ◆ Slide the collar (14) down and rotate it clockwise until it is fully tightened.

Warning! Periodically check the connections to ensure that they are tightened securely.

Extending the saw head (fig. D)

The maximum reach can be achieved by fitting the extension tube (10) between the saw head (4) and the handle (3).

- ◆ Align the groove on the outside of the coupling end of the handle (3) with the tongue on the inside of the coupling end of the extension tube (10).
- ◆ Push the extension tube (10) onto the handle (3).
- ◆ Slide the collar (15) down and rotate it clockwise until it is fully tightened.
- ◆ Align the groove on the outside of the coupling end of the extension tube (10) with the tongue on the inside of the coupling end of the saw head (4).
- ◆ Push the saw head (4) onto the extension tube (10).
- ◆ Slide the collar (14) down and rotate it clockwise until it is fully tightened.

Warning! Periodically check the connections to ensure that they are tightened securely.

Removing the saw head (fig. C & D)

If the extension tube (10) is fitted, the saw head must be removed first.

- ◆ To remove the saw head (4), rest the handle (3) on the ground, loosen the collar (14) and take off the saw head.

Use

Warning! Let the tool work at its own pace.

Do not overload.

Charging the battery - Figure A

The battery needs to be charged before first use and whenever it fails to produce sufficient power on jobs that were easily done before. The battery may become warm while charging; this is normal and does not indicate a problem.

Warning! Do not charge the battery at ambient temperatures below 10 °C or above 40 °C. Recommended charging temperature: approx. 24 °C.

Note: The charger will not charge a battery if the cell temperature is below approximately 10 °C or above 40 °C. The battery should be left in the charger and the charger will begin to charge automatically when the cell temperature warms up or cools down.

- ◆ To charge the battery (11), remove it from the tool and insert it into the charger (12). The battery will only fit into the charger in one way. Do not force. Be sure that the battery is fully seated in the charger.
- ◆ Plug in the charger and switch on at the mains.
- ◆ The charging indicator (24) will flash green continuously (slowly).

The charge is complete when the charging indicator (24) lights green continuously. The charger and the battery can be left connected indefinitely with the LED illuminated. The LED will change to flashing green (charging) state as the charger occasionally tops off the battery charge. The charging indicator (24) will be lit as long as the battery is connected to the plugged-in charger.

- ◆ Charge discharged batteries within 1 week. Battery life will be greatly diminished if stored in a discharged state.

Leaving the battery in the charger

The charger and battery pack can be left connected indefinitely with the LED lit. The charger will keep the battery pack fresh and fully charged.

Charger diagnostics

If the charger detects a weak or damaged battery, the charging indicator (24) will flash red at a fast rate. Proceed as follows:

- ◆ Re-insert the battery (11).
- ◆ If the charging indicator continues flashing red at a fast rate, use a different battery to determine if the charging process works properly.
- ◆ If the replaced battery charges correctly, the original battery is defective and should be returned to a service centre for recycling.
- ◆ If the new battery gives the same indication as the original battery, take the charger to be tested at an authorised service centre.

Note: It may take as long as 60 minutes to determine that the battery is defective. If the battery is too hot or too cold, the LED will alternately blink red, fast and slow, one flash at each speed and repeat.

Switching on and off (fig. E)

For your safety, this tool is equipped with a double switching system. This system prevents starting the tool inadvertently.

Switching on

- ◆ Push the lock-off button (2) backward using your thumb and at the same time squeeze the on/off switch (1).

- ◆ Release the lock-off button (2).

Switching off

- ◆ Release the on/off switch (1).

Warning! Never attempt to lock a switch in the on position.

Pruning (fig. F)

- ◆ Make sure the tool is running at full speed before making a cut.
- ◆ Hold the tool firmly in place to avoid possible bouncing or sideways movement of the tool.

Guide the tool through the branch using light pressure. When cutting heavy branches, where a partial cut may splinter and damage the tree, proceed as follows:

- ◆ Make the first cut 15 cm from the tree trunk on the underside of the limb. Use the top of the guide bar (6) to make this cut.
- ◆ Cut one third through the diameter of the limb. Then cut down from the top.

Cleaning, maintenance and storage

Your BLACK+DECKER corded/cordless appliance/tool has been designed to operate over a long period of time with a minimum of maintenance. Continuous satisfactory operation depends upon proper tool care and regular cleaning.

Warning! Before performing any maintenance on corded/cordless power tools:

- ◆ Switch off and unplug the appliance/tool.
- ◆ Or switch off and remove the battery from the appliance/tool if the appliance/tool has a separate battery pack
- ◆ Or run the battery down completely if it is integral and then switch off.
- ◆ Unplug the charger before cleaning it. Your charger does not require any maintenance apart from regular cleaning.

Regularly clean the ventilation slots in you appliance/tool/charger using a soft brush or dry cloth.

Regularly clean the motor housing using a damp cloth. Do not use any abrasive or solvent-based cleaner.

Regularly open the chuck and tap it to remove any dust from the interior (when fitted).

After use and before storage

- ◆ Regularly clean the ventilation slots with a clean, dry paint brush.
- ◆ To clean the tool, use only mild soap and a damp cloth. Never let any liquid get inside the tool and never immerse any part of the tool into liquid.
- ◆ Remove debris using a hard brush.
- ◆ Lubricate the chain with oil.

Installing and removing the saw chain (fig. G & H)

Warning! Always wear protective gloves when installing or removing the saw chain. The saw chain is sharp and can cut you when it is not running

- ◆ Place the tool on a firm and stable surface.
- ◆ Loosen the screws (16) using the Allen key provided. Remove the screws.
- ◆ Remove the sprocket cover (5) and the bar clamp (17).
- ◆ Turn the screw (18) counterclockwise to allow the guide bar (6) to recede and to reduce the tension on the saw chain (7).
Remove the old saw chain from the sprocket (19) and the guide bar (6).
- ◆ Place the new saw chain in the groove of the guide bar and around the sprocket. Make sure that the teeth are facing the correct direction by matching the arrow on the saw chain with the arrow on the housing.
- ◆ Make sure that the slot (20) in the guide bar is over the location pins (21) and that the hole (22) below the slot is located over the adjustment pin (23).
- ◆ Re-fit the sprocket cover (5) and the bar clamp (17) and the screws (16).
- ◆ Tighten the screws (16) using the Allen key provided.
- ◆ Adjust the chain tension as described below.

To ensure continued safe operation, the chain and guide bar must only be replaced with original Black & Decker parts.

Replacement chain part number A6158 replacement guide bar part number 623381-00.

Checking and adjusting the chain tension (fig. G)

- ◆ Check the saw chain tension. The tension is correct when the saw chain (7) snaps back after being pulled away 3 mm from the saw chain bar with light force from the middle finger and thumb. There should be no 'sag' between the guide bar (6) and the saw chain (7) on the underside.

To adjust the tension:

- ◆ Loosen the screws (16).
- ◆ Turn the screw (18) clockwise.

Warning! Do not over-tension the chain as this will lead to excessive wear and will reduce the life of the bar and chain.

- ◆ Once the chain tension is correct, tighten the screws (16).

Warning! When the saw chain is new, check the tension frequently during the first two hours of use as a new saw chain stretches slightly.

Oiling the chain

The saw chain must be oiled before each use and after cleaning using only the correct grade of oil (cat. no. A6027).

- ◆ Oil the whole saw chain (7) evenly using the applicator (9).

Storage

When the tool will not be used for several months, ideally leave the battery connected to the charger.

Otherwise proceed as follows:

- ◆ Fully charge the battery.
- ◆ Remove the battery from the tool.
- ◆ Store the tool and battery in a secure and dry location.
- ◆ The storage temperature must always remain in the range of +10°C to +40°C. Place the battery on a level surface.
- ◆ Before using the tool after prolonged storage, fully charge the battery again.

Protecting the environment



Separate collection. Products and batteries marked with this symbol must not be disposed of with normal household waste.

Products and batteries contain materials that can be recovered or recycled reducing the demand for raw materials. Please recycle electrical products and batteries according to local provisions. Further information is available at www.2helpU.com

Technical data

		GPC1820L H1	PS1820ST1 H1
Voltage	V _{DC}	18	18
No-load chain speed	min ⁻¹	190	190
Max. cutting length	cm	17	17
Chuck capacity	mm	13	13
Weight	kg	3.5	3.5

		BL2018	BL2018ST
Battery			
Voltage	V _{DC}	18	18
Capacity	Ah	2	2
Type		Li-Ion	Li-Ion

		905902** (Type 1)	906349**
Charger			
Input Voltage	V _{DC}	100 - 240	200-240
Output Voltage	Ah	8 - 20	8-20
Output Current	mA	400	1000

Level of sound pressure according to EN 60745:

Sound pressure (L_{pa}) 78 dB(A), uncertainty (K) 3 dB(A)

Sound power (L_{wa}) 98 dB(A), uncertainty (K) 3 dB(A)

Vibration total values (triax vector sum) according to EN 60745:

Cutting freshly felled softwood (a_{rw}) = <2.5 m/s² Uncertainty (K) 1.5 m/s²

EC declaration of conformity

MACHINERY DIRECTIVE



GPC1820L, PS1820ST1 - Cordless pole pruner

Black & Decker declares that these products described under "technical data" are in compliance with:

2006/42/EC, EN 60745-1:2009 +A11:2010,
EN 60745-2-15:2009 +A1:2010

These products also comply with Directive 2014/30/EU and 2011/65/EU. For more information, please contact Black & Decker at the following address or refer to the back of the manual.

The undersigned is responsible for compilation of the technical file and makes this declaration on behalf of
Black & Decker.

R. Laverick
Engineering Manager
Black & Decker Europe, 210 Bath Road, Slough,
Berkshire, SL1 3YD
United Kingdom
21/11/2016

Garantie

Black & Decker is confident of the quality of its products and offers consumers a 24 month guarantee from the date of purchase. This guarantee is in addition to and in no way prejudices your statutory rights. The guarantee is valid within the territories of the Member States of the European Union and the European Free Trade Area.

To claim on the guarantee, the claim must be in accordance with Black&Decker Terms and Conditions and you will need to submit proof of purchase to the seller or an authorised repair agent.

Terms and conditions of the Black&Decker 2 year guarantee and the location of your nearest authorised repair agent can be obtained on the Internet at www.2helpU.com, or by contacting your local Black & Decker office at the address indicated in this manual.

Please visit our website www.blackanddecker.co.uk to register your new Black & Decker product and receive updates on new products and special offers.

Verwendungszweck

Ihre Akku-Astsäge GPC1820L, PS1820ST1 von BLACK+DECKER wurde für das Beschneiden von Bäumen entwickelt. Dieses Gerät ist nicht für den gewerblichen Einsatz vorgesehen.

Ihr BLACK+DECKER Ladegerät dient zum Laden von BLACK+DECKER Akkus des Typs, der im Lieferumfang dieses Geräts enthalten ist.

Sicherheitshinweise**Allgemeine Sicherheitswarnungen für das Gerät**

Warnung! Lesen Sie alle Sicherheitswarnhinweise und alle Anweisungen. Die Nichteinhaltung der folgenden Warnungen und Anweisungen kann einen elektrischen Schlag, Brand und/oder schwere Verletzungen verursachen.

Bewahren Sie alle Sicherheitswarnungen und Anweisungen gut auf. Der nachfolgend verwendete Begriff „Gerät“ bezieht sich auf netzbetriebene Geräte (mit Netzkabel) und auf akkubetriebene Geräte (ohne Netzkabel).

1. Sicherheit im Arbeitsbereich

- a. **Halten Sie Ihren Arbeitsbereich sauber und gut ausgeleuchtet.** Unaufgeräumte oder dunkle Bereiche begünstigen Unfälle.
- b. **Betreiben Sie das Gerät nicht in Umgebungen, in denen Explosionsgefahr z. B. aufgrund von brennbaren Flüssigkeiten, Gasen oder Staub besteht.** Geräte erzeugen Funken, die den Staub oder die Dämpfe entzünden können.
- c. **Halten Sie Kinder und andere Personen während der Benutzung eines Geräts fern.** Bei Ablenkung können Sie die Kontrolle verlieren.

2. Elektrische Sicherheit

- a. **Der Netzstecker des Geräts muss in die Steckdose passen. Ändern Sie niemals den Stecker in irgendeiner Form. Verwenden Sie keinerlei Adapterstecker an geerdeten Elektrogeräten.** Unveränderte Stecker und passende Steckdosen mindern die Gefahr eines elektrischen Schlags.
- b. **Vermeiden Sie Körperkontakt mit geerdeten Oberflächen von Rohren, Heizungen, Herden und Kühlschränken.** Es besteht eine erhöhte Gefahr für einen elektrischen Schlag, wenn Ihr Körper geerdet ist.
- c. **Halten Sie Geräte von Regen und Nässe fern.** Das Eindringen von Wasser in ein Gerät erhöht das Risiko eines elektrischen Schlags.

- d. **Verwenden Sie das Kabel ordnungsgemäß. Verwenden Sie es niemals zum Tragen. Trennen Sie das Gerät nicht durch Ziehen am Kabel vom Netz. Halten Sie das Kabel fern von Hitze, Öl, scharfen Kanten oder beweglichen Teilen.** Beschädigte oder verhedderte Kabel erhöhen die Gefahr eines elektrischen Schlages.
- e. **Verwenden Sie nur für den Außenbereich zugelassene Verlängerungskabel, wenn Sie mit dem Gerät im Freien arbeiten.** Die Verwendung eines für den Außenbereich geeigneten Verlängerungskabels verringert das Risiko eines elektrischen Schlags.
- f. **Wenn das Gerät in einer feuchten Umgebung verwendet werden muss, schließen Sie es unbedingt an eine Steckdose mit Fehlerstromschutzschalter (FI-Schalter) an.**
Ein Fehlerstromschutzschalter verringert das Risiko eines elektrischen Schlags.
- 3. Sicherheit von Personen**
- a. **Seien Sie aufmerksam, achten Sie darauf, was Sie tun, und gehen Sie sachgerecht mit einem Gerät um. Benutzen Sie kein Gerät, wenn Sie müde sind oder unter dem Einfluss von Drogen, Alkohol oder Medikamenten stehen.** Ein Moment der Unachtsamkeit beim Betrieb eines Geräts kann zu schweren Verletzungen führen.
- b. **Verwenden Sie eine geeignete Schutzausrüstung. Tragen Sie immer einen Augenschutz.** Das Tragen persönlicher Schutzausrüstung, wie Staubmaske, rutschfeste Sicherheitsschuhe, Schutzhelm oder Gehörschutz, je nach Art und Einsatz des Geräts, verringert das Risiko von Verletzungen.
- c. **Vermeiden Sie eine unbeabsichtigte Inbetriebnahme. Vergewissern Sie sich, dass das Gerät ausgeschaltet ist, bevor Sie es an eine Steckdose oder einen Akku anschließen, es hochheben oder tragen.** Wenn Sie beim Tragen des Geräts den Finger am Schalter haben oder das Gerät eingeschaltet an die Stromversorgung anschließen, kann dies zu Unfällen führen.
- d. **Entfernen Sie Einstell- oder Schraubenschlüssel, bevor Sie das Gerät einschalten.** Werkzeuge oder Schlüssel, die an rotierenden Teilen des Geräts angebracht sind, können zu Verletzungen führen.
- e. **Beugen Sie sich nicht zu weit nach vorne. Sorgen Sie für einen sicheren Stand und halten Sie jederzeit das Gleichgewicht.** Dadurch können Sie das Gerät in unerwarteten Situationen besser kontrollieren.
- f. **Tragen Sie geeignete Kleidung. Tragen Sie keine weite Kleidung und keinen Schmuck. Halten Sie Ihre Haare, Kleidung und Handschuhe von beweglichen Teilen fern.** Lose sitzende Kleidung, Schmuck oder lange Haare können sich in den beweglichen Teilen verfangen.
- g. **Falls Vorrichtungen zum Absaugen oder Auffangen von Staub vorhanden sind, vergewissern Sie sich, dass diese angeschlossen sind und richtig verwendet werden.** Das Verwenden einer Staubauffangvorrichtung verringert Gefährdungen durch Staub.
- 4. Gebrauch und Pflege von Geräten**
- a. **Überlasten Sie das Gerät nicht. Verwenden Sie das für Ihre Arbeit passende Gerät.** Das richtige Gerät wird die Aufgabe besser und sicherer erledigen, wenn es bestimmungsgemäß verwendet wird.
- b. **Verwenden Sie das Gerät nicht, wenn der Ein-/Ausschalter nicht funktioniert.** Ein Gerät, das sich nicht mehr ein- oder ausschalten lässt, ist gefährlich und muss repariert werden.
- c. **Ziehen Sie den Stecker aus der Steckdose, oder trennen Sie das Gerät vom Akku, bevor Sie Einstellungen vornehmen, Zubehörteile wechseln oder das Gerät lagern.** Diese Vorbeugemaßnahmen mindern die Gefahr, dass das Elektrogerät unbeabsichtigt startet.
- d. **Bewahren Sie unbenutzte Geräte außerhalb der Reichweite von Kindern auf. Lassen Sie Geräte nicht von Personen benutzen, die damit nicht vertraut sind oder diese Anweisungen nicht gelesen haben.** Geräte sind in den Händen nicht geschulter Personen gefährlich.
- e. **Halten Sie das Gerät in einem einwandfreien Zustand. Kontrollieren Sie, ob bewegliche Teile falsch ausgerichtet sind oder klemmen und ob Teile gebrochen oder so beschädigt sind, dass die Funktion des Geräts beeinträchtigt ist. Bei Beschädigungen lassen Sie das Gerät reparieren, bevor Sie es verwenden.** Viele Unfälle entstehen wegen mangelnder Wartung der Geräte.
- f. **Halten Sie Schneidgeräte scharf und sauber.** Richtig gewartete Schneidwerkzeuge mit scharfen Klingen blockieren seltener und sind leichter unter Kontrolle zu halten.
- g. **Verwenden Sie Gerät, Zubehör, Einsatz-Bits usw. entsprechend diesen Anweisungen und berücksichtigen Sie dabei die Arbeitsbedingungen und die auszuführende Arbeit.** Der Gebrauch von Geräten für andere als die vorgesehenen Zwecke kann zu gefährlichen Situationen führen.
- 5. Gebrauch und Pflege von Akkuwerkzeugen**
- a. **Laden Sie den Akku nur mit dem vom Hersteller vorgesehenen Ladegerät auf.** Für ein Ladegerät, das nur für eine bestimmte Akkuart geeignet ist, besteht Brandgefahr, wenn es mit anderen Akkus verwendet wird.
- b. **Verwenden Sie nur die für das jeweilige Gerät vorgesehenen Akkus.** Die Verwendung anderer Akkus kann zu Verletzungen oder Bränden führen.

- c. **Bewahren Sie den Akku bei Nichtbenutzung nicht in der Nähe metallischer Objekte wie Büroklammern, Münzen, Schlüsseln, Nägeln oder Schrauben auf, da diese eine Verbindung zwischen beiden Polen des Akkus herstellen können.** Durch den dadurch entstehenden Kurzschluss kann der Akku in Brand geraten.
- d. **Bei falscher Anwendung kann Flüssigkeit aus dem Akku austreten. Vermeiden Sie den Kontakt damit. Bei unbeabsichtigtem Kontakt mit Wasser abspülen. Gelangt die Flüssigkeit in die Augen, ziehen Sie außerdem ärztliche Hilfe hinzu.** Austretende Akkuflüssigkeit kann zu Hautreizungen oder Verbrennungen führen.
6. **Service**
- a. **Lassen Sie das Gerät nur von qualifiziertem Fachpersonal und nur mit Originalersatzteilen reparieren.** Damit wird sichergestellt, dass die Sicherheit des Geräts erhalten bleibt.

Zusätzliche Sicherheitswarnungen für das Gerät



Warnung! Zusätzliche Sicherheitswarnungen für Bohrschrauber

- ◆ **Tragen Sie bei der Arbeit mit einem Schlagbohrer einen Gehörschutz.** Lärm kann Gehörschäden verursachen.
- ◆ **Verwenden Sie die mitgelieferten Zusatzgriffe.** Der Verlust der Kontrolle kann Verletzungen verursachen.
- ◆ **Halten Sie das Gerät an den isolierten Griffflächen fest, wenn Sie Arbeiten ausführen, bei denen verdeckte Kabel durch Werkzeuge beschädigt werden könnten.** Der Kontakt mit stromführenden Leitungen kann auch offen liegende Metallteile am Gerät unter Strom setzen und zu einem Stromschlag führen.
- ◆ **Halten Sie das Gerät an den isolierten Griffflächen fest, wenn Sie Arbeiten ausführen, bei denen verdeckte Kabel beschädigt werden könnten.** Der Kontakt mit stromführenden Leitungen kann auch offen liegende Metallteile am Gerät unter Strom setzen und zu einem Stromschlag führen.
- ◆ **Sichern Sie das Werkstück zum Beispiel mit Einspannvorrichtungen auf einer stabilen Plattform.** Das Werkstück ist instabil, wenn es mit der Hand oder dem Körper abgestützt wird, was zum Verlust der Kontrolle führen kann.
- ◆ Prüfen Sie vor dem Bohren in Wände, Fußböden oder Decken diese Stellen auf dahinterliegende Kabel oder Rohre.
- ◆ Berühren Sie die Spitze des Bohreinsatzes nicht unmittelbar nach dem Bohren, da diese heiß sein kann.

- ◆ Die bestimmungsgemäße Verwendung ist in dieser Betriebsanleitung beschrieben. Die Verwendung von Zubehör- oder Anbauteilen, die nicht in dieser Anleitung empfohlen werden, sowie die Bedienung des Geräts in Abweichung von den in dieser Anleitung beschriebenen Verfahren können zu Verletzungen und/oder Sachschäden führen.

Sicherheit anderer Personen

- ◆ Dieses Gerät kann von Kindern ab 8 Jahren und Personen mit körperlichen, sensorischen oder geistigen Einschränkungen bzw. ohne Erfahrung und Kenntnisse verwendet werden, wenn sie beaufsichtigt werden oder ihnen die sichere Verwendung des Geräts erklärt wurde und sie die vorhandenen Gefahren verstehen.
- ◆ Kinder dürfen nicht mit dem Gerät spielen. Reinigung und Wartungsarbeiten dürfen von Kindern nur unter Aufsicht durchgeführt werden.

Restrisiken

Beim Gebrauch dieses Geräts verbleiben zusätzliche Restrisiken, die möglicherweise nicht in den Sicherheitswarnungen genannt werden. Diese Risiken bestehen beispielsweise bei Missbrauch oder längerem Gebrauch.

Auch bei der Einhaltung der entsprechenden Sicherheitsvorschriften und der Verwendung aller Sicherheitsgeräte bestehen weiterhin bestimmte Restrisiken. Diese sind:

- ◆ Verletzungen, die durch das Berühren von sich drehenden/bewegenden Teilen verursacht werden.
- ◆ Verletzungen, die durch das Austauschen von Teilen, Sägeblättern oder Zubehör verursacht werden.
- ◆ Verletzungen, die durch längeren Gebrauch eines Geräts verursacht werden. Legen Sie bei längerem Gebrauch regelmäßige Pausen ein.
- ◆ Beeinträchtigung des Gehörs.
- ◆ Gesundheitsrisiken durch das Einatmen von Staub beim Gebrauch des Geräts (beispielsweise bei Holzarbeiten, insbesondere Eiche, Buche und Pressspan)

Vibration

Die in den Abschnitten "Technische Daten" und "EU-Konformitätserklärung" angegebenen Werte für die Vibrationsemission wurden mit einer Standard-Prüfmethode nach EN 60745 ermittelt und können zum Vergleich verschiedener Geräte herangezogen werden. Außerdem kann mit Hilfe dieses Werts die Belastung bei Verwendung des Geräts schon im Voraus eingeschätzt werden.

Warnung! Die bei Verwendung des Geräts auftretende Vibrationsemission hängt von der Art des Gerätegebrauchs ab und kann dementsprechend von dem angegebenen Wert abweichen. Gegebenenfalls kann die Vibration über dem angegebenen Wert liegen.

Für die Ermittlung der Vibrationsbelastung müssen die tatsächlichen Einsatzbedingungen und Verwendungen des Geräts während des gesamten Arbeitsgangs berücksichtigt werden, einschließlich der Zeiten, wenn das Gerät nicht verwendet oder im Leerlauf betrieben wird. Diese Werte werden benötigt, um die gemäß 2002/44/EG erforderlichen Sicherheitsmaßnahmen zum Schutz von Personen festlegen zu können.

Äste schneiden

Vergewissern Sie sich vor dem Beschneiden eines Baumes, dass das Fällen des Baums nicht durch Verordnungen oder Gesetze eingeschränkt oder untersagt wird.

- ◆ Schätzen Sie die Richtung ab, in die ein Ast fallen kann.
- ◆ Berücksichtigen Sie dabei alle Faktoren, die die Fallrichtung beeinflussen können:
 - ◆ die Länge und das Gewicht des zu schneidenden Astes
 - ◆ die gewünschte Fallrichtung
 - ◆ Morschheit oder außergewöhnlich schwere Holzstruktur
 - ◆ Bäume und Hindernisse in der Umgebung,
 - ◆ z. B. frei verlegte Stromleitungen
 - ◆ die Verflechtung mit anderen Ästen
 - ◆ Windgeschwindigkeit und Windrichtung
- ◆ Achten Sie auf einen guten Zugang zum Ast.

Äste haben die Tendenz, zum Baumstamm zu schwingen. Neben dem Bediener der Kettensäge besteht für alle Zuschauer, Gebäude und Gegenstände unterhalb des Astes die Gefahr, von dem herabfallenden Ast getroffen zu werden.

Etiketten am Werkzeug

Am Gerät sind die folgenden Warnsymbole inkl. Datumscode angebracht:



Warnung! Lesen Sie vor Gebrauch die Anleitung. Andernfalls besteht Verletzungsgefahr.



Schützen Sie das Gerät vor Feuchtigkeit und Regen.



Achten Sie auf herabfallende Gegenstände. Halten Sie Zuschauer aus dem Gefahrenbereich fern.



Stromschlaggefahr. Halten Sie einen Abstand von mindestens 10 m zu frei verlegten Stromleitungen ein.



Tragen Sie stets einen Kopf- und Augenschutz.



Tragen Sie rutschfestes, sicheres Schuhwerk.

Um ein kontinuierlich sicheres Arbeiten zu gewährleisten, kontrollieren Sie die Kettenspannung wie in diesem Handbuch beschrieben nach jeweils 10 Minuten Betrieb der Kettensäge. Stellen Sie die Kettenspannschraube ggf. wieder auf die vorgeschriebenen 3 mm Spiel ein. Ölen Sie die Kette nach jeweils 10 Minuten Betrieb.



Drehrichtung der Kette.



Warnung! Greifen Sie nicht am Spanauswurf in die Kette.

Zusätzliche Sicherheitshinweise für Akkus und Ladegeräte

Akkus

- ◆ Keinesfalls versuchen, den Akku zu öffnen.
- ◆ Achten Sie darauf, dass der Akku nicht mit Wasser in Berührung kommt.
- ◆ Nicht bei Temperaturen über 40 °C lagern.
- ◆ Laden Sie den Akku nur bei Umgebungstemperaturen von 10 °C bis 40 °C auf.
- ◆ Verwenden Sie ausschließlich das mitgelieferte Ladegerät.
- ◆ Beachten Sie zur Entsorgung von Akkus oder Batterien die Hinweise im Abschnitt „Umweltschutz“.
- ◆ Der Akku darf nicht durch mechanische Krafteinwirkung oder Belastungen beschädigt oder verformt werden. Andernfalls besteht Verletzungs- und Brandgefahr.
- ◆ Laden Sie beschädigte Akkus nicht auf.
- ◆ Unter extremen Bedingungen können Batterien undicht werden.

Wenn Sie feststellen, dass aus der Batterie Flüssigkeit austritt, wischen Sie diese vorsichtig mit einem Tuch ab. Vermeiden Sie Hautkontakt.

- ◆ Beachten Sie nach Haut- oder Augenkontakt die folgenden Hinweise.

Warnung! Batteriesäure kann Sach- oder Personenschäden verursachen. Spülen Sie die Säure bei Hautkontakt sofort mit Wasser ab. Suchen Sie einen Arzt auf, wenn sich auf der Haut Rötungen, Reizungen oder andere Irritationen zeigen. Spülen Sie das Auge nach Augenkontakt sofort mit sauberem Wasser aus, und suchen Sie einen Arzt auf.

Ladegeräte

Das Ladegerät ist für eine bestimmte Spannung ausgelegt. Stellen Sie sicher, dass die Netzspannung der auf dem Typenschild des Geräts angegebenen Spannung entspricht.

- ◆ Verwenden Sie das BLACK+DECKER Ladegerät nur für den Akku des Werkzeugs, mit dem es geliefert wurde. Andere Akkus können platzen und Sachschäden oder Verletzungen verursachen.

- ◆ Versuchen Sie keinesfalls, nicht aufladbare Batterien zu laden.
- ◆ Lassen Sie beschädigte Kabel sofort austauschen.
- ◆ Achten Sie darauf, dass das Ladegerät nicht mit Wasser in Berührung kommt.
- ◆ Versuchen Sie nicht, das Ladegerät zu öffnen.
- ◆ Nehmen Sie am Ladegerät keine Veränderungen vor.
- ◆ Während der Akku geladen wird, muss auf ausreichende Belüftung geachtet werden.

Symbole auf dem Ladegerät

Am Ladegerät sind die folgenden Symbole angebracht:



Das Ladegerät darf nur im Innenbereich verwendet werden.



Vor Gebrauch die Anleitung lesen.

Elektrische Sicherheit



Das Ladegerät ist schutzisoliert, daher ist keine Erdleitung erforderlich. Stellen Sie sicher, dass die Netzspannung der auf dem Typenschild des Geräts angegebenen Spannung entspricht. Ersetzen Sie das Ladegerät keinesfalls durch ein normales Netzkabel.

- ◆ Bei einer Beschädigung des Netzkabels muss dieses durch den Hersteller oder eine BLACK+DECKER Vertragswerkstatt ausgetauscht werden, um mögliche Gefahren zu vermeiden.

Merkmale

Dieses Gerät verfügt über einige oder alle der folgenden Merkmale:

1. Ein-/Aus-Schalter
2. Schalterarretierung
3. Haupthandgriff
4. Sägekopf
5. Kettenradabdeckung
6. Führungsschwert
7. Kette
8. Kettenschutz
9. Schmiermittelflasche
10. Verlängerungsrohr
11. Akku

Abb. A

12. Ladegerät

Montage

Warnung! Entfernen Sie vor der Montage den Akku aus dem Gerät.

Einsetzen und Entnehmen des Akkus (Abb. B)

- ◆ Um den Akku (11) einzusetzen, richten Sie ihn an der Aufnahme am Gerät aus. Schieben Sie den Akku in die Aufnahme, bis er in der richtigen Position einrastet.
- ◆ Drücken Sie die Entriegelungstaste (13) und ziehen Sie gleichzeitig den Akku aus dem Akkufach, um diesen zu entfernen.

Warnung! Um unbeabsichtigten Betrieb zu vermeiden, stellen Sie vor Ausführung der folgenden Schritte sicher, dass der Akku entfernt wurde und der Kettenschutz korrekt auf der Kette sitzt. Eine Nichtbeachtung kann zu ernsthaften Verletzungen führen.

Anbringen des Sägekopfes (Abb. C)

Der Sägekopf kann direkt am Griff angebracht werden, um die Standardreichweite zu erhalten.

- ◆ Richten Sie die Nut in der Außenseite des Griff-Verbindungsstücks (3) an der Feder auf der Innenseite des Sägekopf-Verbindungsstücks (4) aus. Drücken Sie den Sägekopf (4) auf den Griff (3).
- ◆ Schieben Sie den Verschluss (14) nach unten, und drehen Sie ihn im Uhrzeigersinn, bis er ganz fest sitzt.

Warnung! Überprüfen Sie die Verbindungen in regelmäßigen Abständen, um sicherzustellen, dass sie sicher und fest sitzen.

Erweitern des Sägekopfes (Abb. D)

Die maximale Reichweite erhalten Sie, indem Sie das Verlängerungsrohr (10) zwischen dem Sägekopf (4) und dem Griff (3) anbringen.

- ◆ Richten Sie die Nut in der Außenseite des Griff-Verbindungsstücks (3) an der Feder auf der Innenseite des Verlängerungsrohrs (10) aus.
- ◆ Drücken Sie das Verlängerungsrohr (10) auf den Griff (3).
- ◆ Schieben Sie den Verschluss (15) nach unten, und drehen Sie ihn im Uhrzeigersinn, bis er ganz fest sitzt.
- ◆ Richten Sie die Nut in der Außenseite des Verlängerungsrohrs (10) an der Feder auf der Innenseite des Sägekopf-Verbindungsstücks (4) aus.
- ◆ Drücken Sie den Sägekopf (4) auf das Verlängerungsrohr (10).
- ◆ Schieben Sie den Verschluss (14) nach unten, und drehen Sie ihn im Uhrzeigersinn, bis er ganz fest sitzt.

Warnung! Überprüfen Sie die Verbindungen in regelmäßigen Abständen, um sicherzustellen, dass sie sicher und fest sitzen.

Entfernen des Sägekopfes (Abb. C und D)

Wenn das Verlängerungsrohr (10) angebracht ist, muss zunächst der Sägekopf entfernt werden.

- ◆ Um den Sägekopf (4) zu entfernen, legen Sie den Griff (3) auf dem Boden ab, lösen Sie den Verschluss (14) und nehmen Sie den Sägekopf ab.

Verwendung

Warnung! Beschleunigen Sie den Arbeitsvorgang nicht mit Gewalt. Vermeiden Sie eine Überlastung.

Laden des Akkus - Abbildung A

Der Akku muss vor der erstmaligen Benutzung sowie immer dann aufgeladen werden, wenn das Gerät nicht mehr mit voller Leistung arbeitet. Der Akku kann sich während des Aufladens erwärmen. Das ist normal und deutet nicht auf ein Problem hin.

Warnung! Laden Sie den Akku nicht, wenn die Umgebungstemperatur unter 10 °C oder über 40 °C liegt. Empfohlene Ladetemperatur: ca. 24 °C.

Hinweis: Ein Akku, bei dem die Temperatur der Akkuzellen unter ca. 10 °C oder über 40 °C liegt, wird vom Ladegerät nicht geladen.

Lassen Sie in diesem Fall den Akku im Ladegerät. Das Ladegerät beginnt automatisch mit dem Ladevorgang, sobald sich die Zellen erwärmt bzw. abgekühlt haben.

- ◆ Um den Akku (11) aufzuladen, entfernen Sie ihn aus dem Gerät, und stecken Sie ihn ins Ladegerät (12). Der Akku kann nur in einer Ausrichtung in das Ladegerät eingesetzt werden. Erzwingen Sie den Arbeitsvorgang nicht. Vergewissern Sie sich, dass der Akku ordnungsgemäß im Ladegerät steckt.
- ◆ Schließen Sie das Ladegerät an eine Steckdose an und schalten Sie die Stromversorgung ein.
- ◆ Die Ladeanzeige (24) blinkt durchgängig grün (langsam).

Der Ladevorgang ist abgeschlossen, wenn die Ladeanzeige (24) dauerhaft grün leuchtet. Sie können den Akku auf unbestimmte Zeit im Ladegerät belassen.

In diesem Fall leuchtet die LED-Anzeige. Die LED-Anzeige beginnt grün zu blinken (Ladezustand), wenn der Akku gelegentlich nachgeladen wird. Solange der Akku mit dem angeschlossenen Ladegerät verbunden ist, leuchtet die Ladeanzeige (24).

- ◆ Ein entladener Akku sollte innerhalb einer Woche wieder aufgeladen werden. Die Lebensdauer des Akkus wird erheblich reduziert, wenn dieser in entladendem Zustand aufbewahrt wird.

Belassen des Akkus im Ladegerät

Sie können den Akku auf unbestimmte Zeit im Ladegerät belassen. In diesem Fall leuchtet die LED-Anzeige. Das Ladegerät hält den Akku immer einsatzbereit und vollständig aufgeladen.

Diagnose des Ladegeräts

Wenn das Ladegerät einen schwachen oder beschädigten Akku feststellt, blinkt die Ladeanzeige (24) in schneller Folge rot auf. Gehen Sie wie folgt vor:

- ◆ Setzen Sie den Akku (11) erneut ein.
- ◆ Falls die Ladeanzeige weiterhin in schneller Folge rot aufblinkt, verwenden Sie einen anderen Akku, um herauszufinden, ob der Ladevorgang ordnungsgemäß ausgeführt wird.
- ◆ Wenn der neu eingesetzte Akku ordnungsgemäß geladen wird, ist der ursprüngliche Akku defekt. Geben Sie diesen bei einem Service Center ab, damit er recycelt werden kann.
- ◆ Lassen Sie das Ladegerät von einer autorisierten Vertragswerkstatt überprüfen, wenn bei dem neuen Akku dieselbe Anzeige erscheint wie bei dem ursprünglichen Akku

Hinweis: Es kann bis zu 60 Minuten dauern, bis sich herausstellt, ob der Akku tatsächlich defekt ist. Ist der Akku zu heiß oder zu kalt, blinkt die LED-Anzeige abwechselnd langsam und schnell rot auf. Die Anzeige blinkt hierbei einmal langsam, einmal schnell. Danach wiederholt sich der Vorgang.

Ein- und Ausschalten (Abb. E)

Das Gerät ist zu Ihrer Sicherheit mit einer Zweihandbetätigung ausgestattet. Diese verhindert das versehentliche Einschalten.

Einschalten

- ◆ Drücken Sie die Einschaltsperrleiste (2) mit dem Daumen nach hinten, und drücken Sie gleichzeitig den Ein-/Ausschalter (1).
- ◆ Lassen Sie den Verriegelungsknopf (2) wieder los.

Ausschalten

- ◆ Lassen Sie den Ein-/Ausschalter (1) los.

Warnung! Versuchen Sie niemals, einen Schalter in seiner Einschaltstellung zu arretieren.

Äste schneiden (Abb. F)

- ◆ Vergewissern Sie sich, dass das Gerät seine volle Geschwindigkeit erreicht hat, bevor Sie die Säge ansetzen.
- ◆ Halten Sie das Gerät fest in seiner Position, um Rückschlag- und Seitwärtsbewegungen des Gerätes zu verhindern. Führen Sie das Gerät mit leichtem Druck durch den Ast. Wenn Sie schwere Äste schneiden, kann der Baum durch Teilschnitte splintern oder beschädigt werden. Gehen Sie folgendermaßen vor:

- ◆ Setzen Sie den ersten Schnitt 15 cm vom Baumstamm entfernt auf der Unterseite des Astes an. Verwenden Sie die Oberseite des Führungsschwerts (6), um diesen Schnitt durchzuführen.
- ◆ Schneiden Sie durch ein Drittel des Astdurchmessers. Schneiden Sie dann von oben nach unten.

Reinigung, Wartung und Lagerung

Ihr BLACK+DECKER Gerät (mit und ohne Netzkabel) wurde im Hinblick auf eine lange Lebensdauer und einen möglichst geringen Wartungsaufwand entwickelt. Ein kontinuierlicher, zufriedenstellender Betrieb hängt von der richtigen Pflege des Gerätes und seiner regelmäßigen Reinigung ab.

Warnung! Vor dem Ausführen jeglicher Wartungsarbeiten an Geräten mit und ohne Netzkabel:

- ◆ Schalten Sie das Gerät aus, und ziehen Sie den Netzstecker.
- ◆ Wenn das Gerät über einen separaten Akku verfügt, schalten Sie das Gerät ab und entfernen Sie ihn vom Gerät.
- ◆ Wenn der Akku integriert ist, entladen Sie diesen vor dem Abschalten vollständig.
- ◆ Trennen Sie das Ladegerät von der Stromversorgung, bevor Sie es reinigen. Das Ladegerät benötigt keine Wartung, es sollte jedoch regelmäßig gereinigt werden.

Reinigen Sie regelmäßig die Lüftungsschlitze des Gerätes und des Ladegeräts mit einer weichen Bürste oder einem trockenen Tuch.

Reinigen Sie regelmäßig das Motorgehäuse mithilfe eines feuchten Tuchs. Verwenden Sie keine scheuernden Reinigungsmittel oder Reinigungsmittel auf Lösungsmittelbasis. Öffnen Sie regelmäßig das Spannfutter, und entfernen Sie durch Klopfen ggf. Staub aus dem Inneren des Geräts.

Nach dem Gebrauch und vor der Aufbewahrung

- ◆ Reinigen Sie die Lüftungsschlitze regelmäßig mit einem sauberen, trockenen Pinsel.
- ◆ Reinigen Sie das Gerät ausschließlich mit milder Seifenlösung und einem angefeuchteten Tuch.. Achten Sie darauf, dass keine Flüssigkeit in das Gerät gelangt. Tauchen Sie kein Teil des Geräts in Flüssigkeit ein.
- ◆ Entfernen Sie Schmutzablagerungen mit einer Hartbürste.
- ◆ Schmieren Sie die Kette mit Öl.

Einsetzen und Entfernen der Sägekette (Abb. G und H)

Warnung! Tragen Sie beim Aufziehen und Abnehmen der Sägekette immer eine Schutzbrille. Die Sägekette ist scharf und kann auch in ruhendem Zustand zu Schnittverletzungen führen.

- ◆ Legen Sie das Gerät auf eine sehr stabile Unterlage.
- ◆ Lösen Sie die Schrauben (16) mit dem mitgelieferten Sechskantschlüssel. Entfernen Sie die Schrauben.

- ◆ Entfernen Sie die Kettenradabdeckung (5) und die Schwertklemme (17).
- ◆ Drehen Sie die Schraube (18) gegen den Uhrzeigersinn, um das Führungsschwert (6) zurückzuführen und die Spannung der Sägekette (7) zu vermindern. Nehmen Sie die alte Sägekette vom Kettenrad (19) und dem Führungsschwert (6).
- ◆ Legen Sie die neue Kette in die Nut des Führungsschwerts und um das Kettenrad. Stellen Sie sicher, dass die Zähne in die richtige Richtung weisen, indem Sie die Pfeile auf der Kette und auf dem Gehäuse aneinander ausrichten.
- ◆ Stellen Sie sicher, dass sich die Aussparung (20) im Führungsschwert über den Arretierstiften (21) und das Loch (22) unter der Aussparung über dem Justierstift (23) befindet.
- ◆ Bringen Sie die Kettenabdeckung (5), die Schwertklemme (17) und die Schrauben (16) wieder an.
- ◆ Ziehen Sie die Schrauben (16) mit dem mitgelieferten Sechskantschlüssel fest.
- ◆ Stellen Sie die Kettenspannung wie nachfolgend beschrieben ein.

Um ein kontinuierlich sicheres Arbeiten zu gewährleisten, dürfen Kette und Führungsschwert ausschließlich durch Originalersatzteile von Black & Decker ersetzt werden. Teilenummer der Ersatzkette: A6158, Teilenummer des Ersatzführungsschwerts: 623381-00.

Prüfen und Einstellen der Kettenspannung (Abb. G)

- ◆ Überprüfen Sie die Spannung der Kette. Die Kette (7) ist richtig gespannt, wenn sie sich mit wenig Kraftaufwand mit Mittelfinger und Daumen ca. 3 mm vom Führungsschwert abheben lässt. Die Kette (7) muss ohne durchzuhängen an der Unterseite des Führungsschwerts (6) anliegen.

So stellen Sie die Spannung ein:

- ◆ Lockern Sie die Schrauben (16).
- ◆ Drehen Sie die Schraube (18) im Uhrzeigersinn.

Warnung! Überspannen Sie die Kette nicht. Dies würde den Verschleiß erhöhen und die Lebensdauer von Kette und Führungsschwert verkürzen.

- ◆ Ziehen Sie die Schrauben (16) an, sobald die Spannung richtig eingestellt ist.

Warnung! Prüfen Sie die Spannung bei einer neuen Sägekette während der ersten zwei Betriebsstunden häufig, da sich eine neue Kette etwas dehnt.

Ölen der Kette

Die Sägekette muss vor jedem Gebrauch und nach der Reinigung geölt werden. Verwenden Sie hierfür nur die richtige Ölart (Katalognr. A6027).

- ◆ Ölen Sie die Kette (7) gleichmäßig mithilfe des Applikators (9).

Aufbewahrung

Wenn das Gerät für mehrere Monate nicht benutzt wird, sollte der Akku am besten im Ladegerät verbleiben.

Gehen Sie anderenfalls wie folgt vor:

- ◆ Laden Sie den Akku vollständig auf.
- ◆ Entfernen Sie den Akku aus dem Gerät.
- ◆ Bewahren Sie das Gerät und den Akku an einem sicheren und trockenen Ort auf.
- ◆ Die Temperatur am Aufbewahrungsort muss immer im Bereich von +10 °C bis +40 °C liegen. Legen Sie den Akku auf einem waagerechten Untergrund ab.
- ◆ Nach langer Lagerzeit sollte vor der Verwendung des Geräts der Akku voll aufgeladen werden.

Umweltschutz



Getrennte Entsorgung. Produkte und Batterien, die mit diesem Symbol gekennzeichnet sind, dürfen nicht im normalen Hausmüll entsorgt werden.

Produkte und Batterien enthalten Materialien, die zurückgewonnen oder recycelt werden können und die Nachfrage nach Rohstoffen reduzieren.

Bitte recyceln Sie Elektroprodukte und Batterien gemäß den lokalen Bestimmungen. Weitere Informationen finden Sie auf www.2helpU.com

Technische Daten

		GPC1820L H1	PS1820ST1 H1
Spannung	V _{DC}	18	18
Kettengeschwindigkeit (Leerlauf)	min ⁻¹	190	190
Max. Schnittlänge	cm	17	17
Bohrfutterspannweite	mm	13	13
Gewicht	kg	3,5	3,5

Akku		BL2018	BL2018ST
Spannung	V _{DC}	18	18
Kapazität	Ah	2	2
Typ		Li-Ionen	Li-Ionen

Ladegerät		905902** (Typ 1)	906349**
Eingangsspannung	V _{DC}	100 - 240	200-240
Ausgangsspannung	Ah	8 - 20	8-20
Ausgangsstrom	mA	400	1000

Schalldruckpegel gemäß EN 60745:

Schalldruck (L_{pa}) 78 dB(A), Unsicherheitsfaktor (K) 3 dB(A)

Schalleistung (L_{wa}) 98 dB(A), Unsicherheitsfaktor (K) 3 dB(A)

Gesamtvibration (Triax-Vektorsumme) gemäß EN 60745:

Schneiden von frisch gefälltem Weichholz (a_{h,w}) = <2,5 m/s² Unsicherheitsfaktor (K) 1,5 m/s²

EU-Konformitätserklärung MASCHINENRICHTLINIE



GPC1820L, PS1820ST1 - Akku-Astsäge

Black & Decker erklärt, dass die in den technischen Daten beschriebenen Geräte übereinstimmen mit:
2006/42/EC, EN 60745-1:2009 +A11:2010,
EN 60745-2-15:2009 +A1:2010

Diese Produkte entsprechen außerdem den Richtlinien 2014/30/EU nd 2011/65/EU. Weitere Informationen erhalten Sie von Black & Decker unter der folgenden Adresse. Diese befindet sich auch auf der Rückseite dieser Anleitung.

Der Unterzeichnete ist verantwortlich für die Zusammenstellung des technischen Dossiers und gibt diese Erklärung im Namen von Black & Decker ab.

R. Laverick
Engineering Manager
Black & Decker Europe, 210 Bath Road, Slough,
Berkshire, SL1 3YD
Vereinigtes Königreich
21/11/2016

Garantie

Black & Decker vertraut auf die Qualität der eigenen Geräte und bietet dem Käufer eine außergewöhnliche Garantie von 24 Monaten ab Kaufdatum. Diese Garantie versteht sich unbeschadet der gesetzlichen Gewährleistungsansprüche und schränkt diese keinesfalls ein. Diese Garantie gilt innerhalb der Staatsgebiete der Mitgliedstaaten der Europäischen Union und der Europäischen Freihandelszone.

Zur Inanspruchnahme dieser Garantie muss sie den allgemeinen Geschäftsbedingungen von Black&Decker entsprechen und dem Verkäufer bzw. der Vertragswerkstatt ist ein Kaufnachweis vorzulegen.

Die Bedingungen für die 2-jährige Garantie von Black&Decker und den Standort Ihrer nächstgelegenen Vertragswerkstatt finden Sie im Internet unter www.2helpU.com oder indem Sie sich an die lokale Black&Decker-Niederlassung wenden, deren Adresse Sie in dieser Anleitung finden.

Ihr neues Black & Decker Produkt können Sie auf unserer Website unter www.blackanddecker.de registrieren. Dort erhalten Sie auch Informationen über neue Produkte und Sonderangebote.

Utilisation prévue

Votre ébrancheur sans fil BLACK+DECKER GPC1820L, PS1820ST1 a été spécialement conçu pour élaguer les arbres. Cet outil est destiné à un usage grand public uniquement.

Votre chargeur BLACK+DECKER a été conçu pour charger les batteries BLACK+DECKER du type de celle fournie avec cet outil.

Consignes de sécurité

Avertissements généraux sur la sécurité des outils électriques



Avertissement ! Lisez tous les avertissements et toutes les consignes de sécurité.

Le non-respect des avertissements et des instructions listés ci-dessous peut entraîner des chocs électriques, des incendies et/ou de graves blessures.

Conservez tous les avertissements et toutes les instructions afin de pouvoir vous y référer dans le futur. Le terme «outil électrique» mentionné dans tous les avertissements listés ci-dessous fait référence à vos outils électriques branchés sur secteur (avec câble) ou fonctionnant sur pile ou batterie (sans fil).

1. Sécurité de la zone de travail

- a. **Maintenez la zone de travail propre et bien éclairée.**
Les zones sombres ou encombrées sont propices aux accidents.
- b. **N'utilisez pas d'outils électriques dans un environnement présentant des risques d'explosion ou en présence de liquides, gaz ou poussières inflammables.** Les outils électriques créent des étincelles qui peuvent enflammer les poussières et les fumées.
- c. **Maintenez les enfants et autres personnes éloignés lorsque les outils électriques sont en marche.** Toute distraction peut vous faire perdre le contrôle de l'outil.

2. Sécurité électrique

- a. **Les prises des outils électriques doivent correspondre à la prise de courant murale. Ne modifiez jamais la prise d'aucune sorte. N'utilisez aucun adaptateur avec des outils électriques reliés à la terre.** L'utilisation de prises d'origine et de prises murales appropriées permet de réduire le risque de choc électrique.
- b. **Évitez tout contact physique avec des surfaces reliées à la terre comme des tuyaux, des radiateurs, des fours et des réfrigérateurs par exemple.** Le risque de choc électrique augmente lorsque votre corps est relié à la terre.

- c. **N'exposez pas les outils électriques à la pluie, ni à l'humidité.** Le risque de choc électrique augmente si de l'eau pénètre dans un outil électrique.
- d. **Ne tirez pas sur le cordon d'alimentation. N'utilisez jamais le cordon pour transporter, tirer ou débrancher l'outil électrique.** Maintenez le cordon éloigné de la chaleur, des substances grasses, des bords tranchants ou des pièces mobiles. Les cordons endommagés ou emmêlés augmentent le risque de choc électrique.
- e. **Si vous utilisez un outil électrique à l'extérieur, utilisez une rallonge homologuée pour les travaux extérieurs.** L'utilisation d'une rallonge électrique homologuée pour les travaux en extérieur réduit le risque de choc électrique.
- f. **Si l'utilisation d'un outil électrique dans un endroit humide est inévitable, utilisez une alimentation électrique protégée par un disjoncteur différentiel à courant résiduel.**
L'utilisation d'un disjoncteur différentiel réduit le risque de choc électrique.
- 3. Sécurité des personnes**
- a. **Restez vigilant, surveillez ce que vous faites et faites preuve de bon sens lorsque vous utilisez un outil électrique. N'utilisez pas d'outils électriques si vous êtes fatigué ou sous l'influence de drogue, d'alcool ou de médicaments.** Tout moment d'inattention pendant l'utilisation d'un outil électrique peut engendrer de graves blessures.
- b. **Portez des équipements de protection individuelle. Portez toujours une protection oculaire.** Les équipements de protection comme les masques à poussière, les chaussures de sécurité antidérapantes, les casques ou les protections auditives utilisés à bon escient réduisent le risque de blessures.
- c. **Empêchez tout démarrage intempestif. Assurez-vous que l'interrupteur est en position Arrêt avant de raccorder l'outil à l'alimentation électrique et/ou au bloc-batterie ou avant de ramasser ou de transporter l'outil.** Le fait de transporter les outils électriques le doigt sur l'interrupteur ou d'alimenter les outils électriques dont l'interrupteur est déjà en position de marche augmente les accidents.
- d. **Retirez toutes les clés ou pinces de réglage avant de mettre l'outil en marche.** Une clé ou une pince restée fixe sur une pièce rotative de l'outil électrique peut engendrer des blessures.
- e. **Ne présumez pas de vos forces. Gardez les pieds bien ancrés au sol et conservez votre équilibre en permanence.** Cela permet de mieux maîtriser l'outil électrique en cas de situations imprévues.
- f. **Portez des vêtements appropriés. Ne portez aucun vêtement ample ou bijou. Gardez vos cheveux, vos vêtements et vos gants éloignés des pièces mobiles.**
Les vêtements amples, les bijoux ou les cheveux longs peuvent être happés par les pièces mobiles.
- g. **Si des dispositifs pour le raccordement d'un extracteur de poussières ou des installations pour la récupération sont présents, assurez-vous qu'ils sont correctement raccordés et utilisés.** L'utilisation de dispositifs récupérateurs de poussières réduit les risques liés aux poussières.
- 4. Utilisation et entretien des outils électriques**
- a. **Respectez la capacité de l'outil. Utilisez le bon outil adapté pour votre intervention.** Un outil adapté fonctionne mieux, de façon plus sûre et à la cadence pour laquelle il a été conçu.
- b. **N'utilisez pas l'outil électrique si son interrupteur ne permet pas de l'allumer ou de l'éteindre.** Tout outil électrique qui ne peut plus être commandé par son interrupteur est dangereux et doit être réparé.
- c. **Débranchez la prise du secteur et/ou le bloc-batterie de l'outil électrique avant d'effectuer tout réglage, de changer un accessoire ou de ranger l'outil électrique.** Ces mesures de sécurité préventives réduisent le risque de démarrage accidentel de l'outil électrique.
- d. **Rangez les outils électriques non utilisés hors de portée des enfants et ne laissez aucune personne ne connaissant pas ces outils ou leurs instructions d'utilisation les faire fonctionner.** Les outils électriques peuvent être dangereux entre des mains inexpérimentées.
- e. **Entretenez vos outils électriques. Vérifiez que les pièces mobiles sont alignées correctement et qu'elles ne sont pas coincées. Vérifiez qu'il n'y a pas de pièces cassées ou toute autre condition qui pourrait nuire au bon fonctionnement de l'outil. En cas de dommage, faites réparer l'outil électrique avant utilisation.** De nombreux accidents sont provoqués par des outils électriques mal entretenus.
- f. **Maintenez les organes de coupe affûtés et propres.** Des organes de coupe bien entretenus et affûtés sont moins susceptibles de rester coincés et sont plus faciles à contrôler.
- g. **Utilisez les outils électriques, les accessoires et les embouts d'outil conformément à ces instructions, en tenant compte des conditions de travail, ainsi que du travail à effectuer.** L'utilisation d'un outil électrique à des fins autres que celles pour lesquelles il a été prévu engendre des situations dangereuses.

5. **Utilisation et entretien de la batterie de l'outil**
 - a. **N'effectuez la recharge qu'à l'aide du chargeur spécifié par le fabricant.** Un chargeur adapté pour un autre type de bloc-batterie peut engendrer un risque d'incendie s'il est utilisé avec un bloc-batterie différent.
 - b. **N'utilisez les outils électriques qu'avec les blocs-batteries qui leurs sont dédiés.** L'utilisation d'un autre bloc-batterie peut engendrer des blessures et un incendie.
 - c. **Lorsque le bloc-batterie n'est pas utilisé, éloignez-le des objets en métal comme les trombones, les pièces de monnaies, les clés, les clous, les vis ou d'autres petits objets métalliques qui pourraient créer une liaison entre les deux bornes.** La mise en court-circuit des bornes d'une batterie peut provoquer des brûlures ou un incendie.
 - d. **En cas d'utilisation abusive, du liquide peut être éjecté de la batterie. Évitez tout contact avec ce liquide. En cas de contact accidentel, rincez à l'eau. En cas de contact avec les yeux, consultez un médecin.** Le liquide projeté de la batterie peut provoquer des irritations ou des brûlures.
6. **Réparation**
 - a. **Faites réparer votre outil électrique par une personne qualifiée, n'utilisant que des pièces de rechange d'origine.** Cela permet de garantir la sûreté de l'outil électrique.

Consignes de sécurité supplémentaires concernant les outils électriques



Avertissement ! Consignes de sécurité supplémentaires concernant les perceuses/visseuses

- ◆ **Portez des protections auditives pendant le perçage à percussion.** L'exposition au bruit peut provoquer la perte de l'ouïe.
- ◆ **Utilisez les poignées auxiliaires livrées avec l'outil.** La perte de contrôle peut provoquer des blessures.
- ◆ **Tenez l'outil électrique par ses surfaces de préhension isolées lorsque vous l'utilisez dans des endroits où l'accessoire de coupe peut entrer en contact avec des fils cachés.** Tout contact de l'accessoire de coupe avec un fil sous tension peut mettre les parties métalliques exposées de l'outil sous tension et provoquer un choc électrique à l'utilisateur.
- ◆ **Tenez l'outil électrique par ses surfaces de préhension isolées lorsque vous l'utilisez dans des endroits où le dispositif de fixation peut entrer en contact avec des fils cachés.** Tout contact du dispositif de fixation avec un fil sous tension peut mettre les parties métalliques exposées de l'outil sous tension et provoquer un choc électrique à l'utilisateur.

- ◆ **Utilisez des pinces ou tout autre moyen pratique pour fixer et soutenir la pièce à travailler sur une plateforme stable.** Tenir la pièce à travailler à la main ou contre votre corps la rend instable et peut conduire à une perte de contrôle.
- ◆ **Avant de percer des murs, des planchers ou des plafonds, vérifiez l'emplacement des fils électriques et des canalisations.**
- ◆ **Évitez de toucher le bout d'un foret juste après avoir percé.** Il peut être chaud.
- ◆ **L'utilisation prévue est décrite dans ce manuel d'utilisation.** L'utilisation d'un accessoire ou d'une fixation ou l'utilisation de cet outil à d'autres fins que celles recommandées dans ce manuel d'utilisation présentent un risque de blessures et/ou de dommages matériels.

Sécurité des personnes

- ◆ **Cet appareil peut être utilisé par des enfants âgés de 8 ans ou plus et des personnes ayant des déficiences physiques, mentales ou sensorielles.** Cette consigne s'applique aux personnes ayant reçu les instructions appropriées d'utilisation fiable et ayant connaissance des dangers existants.
- ◆ **Ne laissez pas les enfants jouer avec l'appareil.** Les enfants ne peuvent en aucun cas assurer le nettoyage et la maintenance sans surveillance.

Risques résiduels

Certains risques résiduels autres que ceux mentionnés dans les avertissements sur la sécurité peuvent survenir en utilisant l'outil. Ces risques peuvent être provoqués par une utilisation incorrecte, prolongée, etc.

Malgré l'application des normes de sécurité pertinentes et la présence de dispositifs de sécurité, certains risques résiduels ne peuvent pas être évités. Ils comprennent :

- ◆ **Les blessures dues au contact avec une pièce rotative/mobile.**
- ◆ **Les blessures dues au remplacement de pièces, lames ou accessoires.**
- ◆ **Les blessures dues à l'utilisation prolongée d'un outil.** Lorsque l'outil est utilisé pendant de longues périodes, assurez-vous de faire des pauses régulières.
- ◆ **La diminution de l'acuité auditive.**
- ◆ **Les risques sanitaires dus à l'inhalation de poussières émises pendant l'utilisation de l'outil (exemple : travail du bois, surtout le chêne, le hêtre et les panneaux en MDF)**

Vibrations

La valeur des émissions de vibrations déclarée dans la section Caractéristiques techniques et la déclaration de conformité a été mesurée selon une méthode de test standard fournie par la norme EN 60745 et peut être utilisée pour comparer un outil à un autre. La valeur des émissions de vibrations déclarée

peut aussi être utilisée pour une évaluation préliminaire à l'exposition.

Avertissement ! En fonction de la manière dont l'outil est utilisé, la valeur des émissions de vibrations réelles pendant l'utilisation de l'outil peut différer de la valeur déclarée. Le niveau des vibrations peut dépasser le niveau déclaré.

Quand l'exposition aux vibrations est évaluée afin de déterminer les mesures de sécurité requises par la norme 2002/44/CE pour protéger les personnes utilisant régulièrement des outils électriques, cette estimation doit tenir compte des conditions réelles d'utilisation et de la façon dont l'outil est utilisé. Il faut également tenir compte de toutes les composantes du cycle de fonctionnement comme la durée pendant laquelle l'outil est arrêté et quand il fonctionne au ralenti, ainsi que la durée du déclenchement.

Élagage

Avant d'élagger un arbre, assurez-vous que la législation ou les réglementations locales n'interdisent ou ne limitent pas l'abattage.

- ◆ Anticipez la direction dans laquelle une branche risque de tomber. Tenez compte de toutes les conditions pouvant affecter la direction de la chute, notamment :
 - ◆ La longueur et le poids de la branche à couper
 - ◆ La direction souhaitée pour la chute
 - ◆ Toute carie ou défaut important dans la structure d'une branche maîtresse
 - ◆ La présence d'arbres et d'obstacles aux alentours,
 - ◆ La présence de lignes aériennes
 - ◆ L'entrelacement des branches
 - ◆ La vitesse et le sens du vent
- ◆ Vérifiez l'accès à la branche de l'arbre.

Les branches peuvent virer vers le tronc de l'arbre. En plus de l'utilisateur, les personnes, bâtiments ou objets se trouvant sous la branche risquent d'être heurtés par la branche.

Étiquettes sur l'outil

Les symboles suivant figurent sur l'outil avec le code date :



Avertissement ! Afin de réduire le risque de blessures, l'utilisateur doit lire le manuel d'utilisation.



N'exposez pas l'outil à la pluie ou à l'humidité.



Faites attention aux chutes d'objets. Gardez à distance les éventuelles personnes alentour.



Risque d'électrocution. Gardez une distance d'au moins 10 m avec les lignes aériennes.



Portez toujours des lunettes de sécurité et un casque.



Portez des chaussures de sécurité antidérapantes.



Pour continuer à utiliser l'outil en toute sécurité, vérifiez la tension de la chaîne comme décrit dans ce manuel toutes les 10 minutes d'utilisation et ajustez de manière à conserver un jeu de 3 mm, comme requis. Graissez la chaîne toutes les 10 minutes d'utilisation.



Sens de rotation de la chaîne.



Avertissement ! Ne touchez pas la chaîne au point d'éjection des copeaux.

Consignes de sécurité supplémentaires relatives aux batteries et chargeurs

Batteries

- ◆ Ne tentez jamais sous aucun prétexte de les ouvrir.
- ◆ N'exposez pas la batterie à l'eau.
- ◆ Ne la stockez pas dans des endroits où la température peut dépasser 40°C.
- ◆ Ne la rechargez qu'à une température ambiante comprise entre 10°C et 40°C.
- ◆ Ne la rechargez qu'à l'aide du chargeur fourni avec l'outil.
- ◆ Pour la mise au rebut des batteries/piles, respectez les instructions mentionnées à la section « Protection de l'environnement ».
- ◆ Ne déformez/n'endommagez pas le bloc-batterie en le perçant ou en le cognant, ceci pourrait entraîner des blessures et un incendie.
- ◆ Ne rechargez pas des batteries endommagées.
- ◆ Dans des conditions extrêmes, une batterie peut fuir. Si vous détectez une fuite, utilisez un chiffon pour essuyer le liquide avec précaution. Évitez tout contact avec la peau.
- ◆ En cas de contact avec la peau ou les yeux, suivez les instructions ci-dessous.

Avertissement ! Le liquide de batterie peut provoquer des blessures ou des dommages. En cas de contact avec la peau, rincez immédiatement à l'eau. Si des rougeurs, une douleur ou une irritation se produisent, consultez un médecin. En cas de contact avec les yeux, rincez immédiatement à l'eau et consultez un médecin.

Chargeurs

Votre chargeur a été conçu pour une tension spécifique. Vérifiez toujours que la tension du réseau électrique correspond à la tension figurant sur la plaque signalétique.

- ◆ N'utilisez votre chargeur BLACK+DECKER que pour recharger la batterie fournie avec l'outil. D'autres batteries pourraient exploser et provoquer des blessures et des dommages.
- ◆ Ne tentez jamais de recharger des piles non rechargeables.
- ◆ Faites immédiatement remplacer les cordons endommagés.
- ◆ N'exposez pas le chargeur à l'eau.
- ◆ N'ouvrez pas le chargeur.
- ◆ Ne sondez pas le chargeur.
- ◆ Placez le chargeur dans un endroit correctement aéré pendant la charge.

Symboles sur le chargeur

Les symboles suivants se trouvent sur votre chargeur :



Le chargeur est conçu pour être exclusivement utilisé à l'intérieur.



Lisez le manuel d'utilisation avant d'utiliser l'outil.

Sécurité électrique



Votre chargeur dispose d'une double isolation ; aucun fil de terre n'est donc nécessaire. Vérifiez toujours que la tension du réseau électrique correspond à la tension figurant sur la plaque signalétique. N'essayez jamais de remplacer l'unité du chargeur avec une prise secteur ordinaire.

- ◆ Si le câble d'alimentation est endommagé, il doit être remplacé par le fabricant ou par un centre de réparation agréé BLACK+DECKER afin d'éviter tout accident.

Caractéristiques

Cet appareil présente tout ou partie des caractéristiques suivantes.

1. Interrupteur Marche/Arrêt
2. Bouton de déverrouillage
3. Poignée principale
4. Tête de scie
5. Cache pignon
6. Guide-chaîne
7. Chaîne
8. Gaine de chaîne
9. Bouteille de graissage
10. Tube rallonge
11. Batterie

Fig. A

12. Chargeur

Assemblage

Avertissement ! Avant l'assemblage, retirez la batterie de l'outil.

Installation et retrait de la batterie (fig. B)

- ◆ Pour installer la batterie (11), alignez-la avec le boîtier de l'outil. Glissez la batterie dans le boîtier et poussez-la jusqu'à ce qu'elle se bloque en position.
- ◆ Pour retirer la batterie, enfoncez le bouton de libération (13) en extrayant simultanément la batterie hors du boîtier.

Avertissement ! Pour éviter un accident, vérifiez que la batterie est retirée et que la gaine de chaîne est sur la chaîne avant d'effectuer les opérations suivantes. Le non respect de cette consigne peut entraîner des blessures graves.

Installation de la tête de scie (fig. C)

La tête de scie peut être directement installée sur le manche pour être d'une longueur standard.

- ◆ Alignez la rainure sur l'extérieur de l'extrémité de raccordement du manche (3) avec la languette à l'intérieur de l'extrémité de raccordement de la tête de scie (4). Poussez la tête de scie (4) sur le manche (3).
- ◆ Glissez le collier (14) vers le bas et tournez-le dans les sens des aiguilles d'une montre jusqu'à ce qu'il soit complètement serré.

Avertissement ! Vérifiez régulièrement le bon serrage des raccords.

Extension de l'embout de scie (figure D)

Pour obtenir la longueur maximale, installez le tube rallonge (10) entre la tête de scie (4) et le manche (3).

- ◆ Alignez la rainure sur l'extérieur de l'extrémité de raccordement du manche (3) avec la languette à l'intérieur de l'extrémité de raccordement du tube rallonge (10).
- ◆ Poussez le tube rallonge (10) sur le manche (3).
- ◆ Glissez le collier (15) vers le bas et tournez-le dans les sens des aiguilles d'une montre jusqu'à ce qu'il soit complètement serré.
- ◆ Alignez la rainure sur l'extérieur de l'extrémité de raccordement du tube rallonge (10) avec la languette à l'intérieur de l'extrémité de raccordement de la tête de scie (4).
- ◆ Poussez la tête de scie (4) sur le tube rallonge (10).
- ◆ Glissez le collier (14) vers le bas et tournez-le dans les sens des aiguilles d'une montre jusqu'à ce qu'il soit complètement serré.

Avertissement ! Vérifiez régulièrement le bon serrage des raccords.

Retrait de la tête de scie (fig. C et D)

Si le tube rallonge (10) est installé, il faut d'abord retirer la tête de scie.

- ◆ Pour retirer la tête de scie (4), posez le manche (3) au sol, desserrez le collier (14) et sortez la tête de scie.

Utilisation

Avertissement ! Laissez l'outil fonctionner à son propre rythme.

Ne le poussez pas au-delà de sa capacité.

Rechargement de la batterie - Figure A

La batterie doit être chargée avant la première utilisation et chaque fois qu'elle n'apporte plus assez de puissance pour les travaux réalisés sans peine auparavant. La batterie peut chauffer pendant la charge. Ce phénomène est normal et n'indique pas un problème.

Avertissement ! Ne rechargez pas la batterie à une température ambiante inférieure à 10°C ou supérieure à 40°C. La température de charge recommandée est d'environ 24°C.

Remarque : Le chargeur ne recharge pas la batterie si la température de la cellule est inférieure à environ 10°C ou supérieure à 40°C.

La batterie doit rester dans le chargeur qui démarre automatiquement la charge quand la température de la cellule augmente ou diminue.

- ◆ Pour charger la batterie (11), retirez-la de l'outil et insérez-la dans le chargeur (12). Il n'y a qu'un seul sens d'insertion de la batterie dans le chargeur. Ne forcez pas. Assurez-vous que la batterie est complètement enclenchée dans le chargeur.
- ◆ Branchez le chargeur et mettez-le sous tension.
- ◆ Le témoin de charge (24) clignote vert en continu (lentement).

La charge est terminée quand le témoin de charge (24) reste allumé vert en fixe. Le chargeur et la batterie peuvent être laissés raccordés en permanence avec le voyant allumé. Le voyant se met à clignoter en vert (charge) si le chargeur détecte qu'il faut compléter la charge de la batterie. Le voyant de charge (24) reste allumé tant que la batterie est raccordée au chargeur branché.

- ◆ Chargez les batteries déchargées dans un délai d'une semaine. La durée de vie de la batterie est considérablement diminuée si elle est stockée déchargée.

Laisser la batterie dans le chargeur

Le chargeur et le bloc-batterie peuvent restés raccordés en permanence avec le voyant allumé. Le chargeur maintient ainsi le bloc-batterie prêt et complètement rechargé.

Diagnostique du chargeur

Si le chargeur détecte l'usure ou l'endommagement de la batterie, le voyant de charge (24) clignote rapidement en rouge. Procédez alors comme suit :

- ◆ Réinsérez la batterie (11).

- ◆ Si le voyant de charge continue de clignoter rapidement en rouge, utilisez une autre batterie pour déterminer si le processus de charge fonctionne correctement.
- ◆ Si la batterie de test se recharge correctement, cela indique que la batterie d'origine est défectueuse et qu'elle doit être renvoyée dans un centre d'assistance pour être recyclée.
- ◆ Si la nouvelle batterie signale le même problème, demandez à un centre de réparation agréé de tester le chargeur

Remarque : La détection de la défaillance de la batterie peut prendre jusqu'à 60 minutes. Si la batterie est trop chaude ou trop

froide, le voyant clignote rouge rapidement puis lentement en alternance, un clignotement à chaque vitesse, avant de recommencer.

Mise en marche et extinction (fig. E)

Pour votre sécurité, cet outil est équipé d'un système à double commande. Ce système empêche tout démarrage accidentel.

Mise en marche

- ◆ Poussez le bouton de déverrouillage (2) vers l'arrière avec votre pouce tout en enfonçant l'interrupteur Marche/Arrêt (1) en même temps.
- ◆ Relâchez le bouton de déverrouillage (2).

Extinction

- ◆ Relâchez l'interrupteur Marche/Arrêt (1).

Avertissement ! N'essayez jamais de bloquer l'interrupteur en position marche.

Élagage (fig. F)

- ◆ Assurez-vous que l'outil fonctionne à pleine vitesse avant de procéder à la coupe.
- ◆ Maintenez fermement l'outil afin d'éviter tout effet de rebond ou mouvement latéral. Guidez l'outil à travers les branches en appuyant légèrement. Pour les grosses branches dans lesquelles une entaille partielle pourrait fendre et endommager l'arbre, procédez comme suit :
 - ◆ Faites une première entaille à 15 cm du tronc de l'arbre sous la branche. Utilisez le dessus du guide-chaîne (6) pour réaliser cette entaille.
 - ◆ Entaillez un tiers du diamètre de la branche. Puis, coupez depuis le haut.

Nettoyage, entretien et stockage

Votre appareil/outil sans fil/avec fil BLACK+DECKER a été conçu pour fonctionner longtemps avec un minimum d'entretien. Le fonctionnement continu et satisfaisant de l'outil dépend d'un entretien adéquat et d'un nettoyage régulier.

Avertissement ! Avant toute intervention de maintenance sur des outils électriques avec ou sans fil :

- ◆ Éteignez l'appareil/l'outil et débranchez-le.
- ◆ Ou, éteignez l'appareil/l'outil et retirez en la batterie si celui-ci est muni d'un bloc-batterie séparé
- ◆ Ou, déchargez complètement la batterie si elle est intégrant, puis éteignez l'appareil.
- ◆ Débranchez le chargeur avant de le nettoyer. Votre chargeur ne nécessite aucun entretien particulier, à l'exception d'un nettoyage régulier.

Nettoyez régulièrement les orifices d'aération de votre appareil/outil/chargeur à l'aide d'une brosse souple ou d'un chiffon sec.

Nettoyez régulièrement le carter moteur à l'aide d'un chiffon humide. N'utilisez pas de détergents abrasifs ou à base de solvants.

Ouvrez régulièrement le mandrin et retirez la poussière à l'intérieur en le tapotant (si installé).

Après utilisation et avant le rangement

- ◆ Nettoyez régulièrement les orifices d'aération à l'aide d'un pinceau sec et propre.
- ◆ Pour nettoyer l'outil, n'utilisez qu'un savon doux et un chiffon humide. Évitez toute pénétration de liquide à l'intérieur de l'outil et ne plongez aucune des ses pièces dans aucun liquide.
- ◆ Retirez les débris à l'aide d'une brosse dure.
- ◆ Lubrifiez la chaîne avec de l'huile.

Installation et retrait de la chaîne (fig. G et H)

Avertissement ! Portez toujours des gants de protection lors de l'installation ou du retrait de la chaîne. Celle-ci est très affûtée et peut vous couper, même à l'arrêt

- ◆ Placez l'outil sur une surface stable et ferme.
- ◆ Desserrez les vis (16) à l'aide de la clé Allen fournie. Retirez les vis.
- ◆ Retirez le cache-pignon (5) et la bride de serrage (17).
- ◆ Tournez la vis (18) dans le sens inverse des aiguilles d'une montre pour rétracter le guide-chaîne (6) et détendre la chaîne (7).
- ◆ Retirez la chaîne usée du pignon (19) et le guide-chaîne (6).
- ◆ Placez la chaîne neuve dans la rainure du guide-chaîne et autour du pignon. Assurez-vous que les dents pointent dans la bonne direction en faisant correspondre la flèche sur la chaîne de scie avec celle sur le corps.
- ◆ Assurez-vous que la fente (20) dans le guide-chaîne se trouve au-dessus des goupilles de positionnement (21) et que le trou (22) sous la fente se trouve au dessus de la goupille de réglage (23).
- ◆ Réinstallez le cache-pignon (5) et la bride de serrage (17) avec les vis (16).
- ◆ Serrez les vis (16) à l'aide de la clé Allen fournie.
- ◆ Réglez la tension de la chaîne comme décrit ci-dessous.

Pour garantir la sûreté permanente de toutes les opérations, la chaîne et le guide-chaîne ne doivent être remplacés qu'avec des pièces d'origine Black & Decker. Chaîne de rechange, numéro de pièce A6158. Guide-chaîne de rechange, numéro de pièce 623381-00.

Contrôle et réglage de la tension de la chaîne (fig. G)

- ◆ Contrôlez la tension de la chaîne. La tension correcte implique que la chaîne (7) revienne automatiquement en place après avoir été tirée de 3 mm du guide-chaîne, à la force du majeur et du pouce. Il ne doit pas y avoir aucun jeu entre le guide-chaîne (6) et la chaîne (7) sur le dessous.

Pour régler la tension :

- ◆ Desserrez les vis (16).
- ◆ Tournez la vis (18) dans le sens des aiguilles d'une montre.

Avertissement ! Veillez à ne pas trop tendre la chaîne car cela entraînerait une usure excessive et réduirait la durée de vie du guide et de la chaîne.

- ◆ Une fois la chaîne correctement tendue, resserrez les vis (16).

Avertissement ! Si la chaîne est neuve, contrôlez fréquemment sa tension pendant les deux premières heures d'utilisation. Une chaîne neuve a tendance à se détendre légèrement.

Lubrification de la chaîne

La chaîne doit être lubrifiée avant chaque utilisation et après son nettoyage avec de l'huile appropriée (cat. N° A6027).

- ◆ Lubrifiez l'ensemble de la chaîne (7) uniformément à l'aide de l'applicateur (9).

Rangement

Lorsque l'outil n'est pas utilisé pendant plusieurs mois, laissez si possible la batterie raccordée au chargeur.

Sinon, procédez comme suit :

- ◆ Rechargez complètement la batterie.
- ◆ Retirez la batterie de l'outil.
- ◆ Rangez l'outil et la batterie dans un endroit sûr et sec.
- ◆ La température de stockage doit être comprise entre +10°C et +40°C. Placez la batterie sur une surface plane.
- ◆ Avant de réutiliser l'outil après une période de stockage prolongée, rechargez complètement la batterie.

Protection de l'environnement



Tri sélectif. Les produits et batteries marqués de ce symbole ne doivent pas être jetés avec les déchets ménagers.

Les produits et batteries contiennent des matières qui peuvent être récupérées et recyclées afin de réduire la demande en matières premières.

Veuillez recycler les produits électriques et les batteries conformément aux dispositions locales en vigueur. Pour plus d'informations, consultez le site www.2helpU.com

Données techniques

		GPC1820L H1	PS1820ST1 H1
Tension	V _{cc}	18	18
Vitesse de la chaîne à vide	min ⁻¹	190	190
Longueur de coupe maximum	cm	17	17
Capacité du mandrin	mm	13	13
Poids	kg	3,5	3,5

		BL2018	BL2018ST
Tension	V _{cc}	18	18
Capacité	Ah	2	2
Type		Li-Ion	Li-Ion

		905902** (Type 1)	906349**
Tension d'entrée	V _{cc}	100 - 240	200-240
Tension de sortie	Ah	8 - 20	8-20
Courant de sortie	mA	400	1000

Niveau de pression sonore selon la norme EN 60745 :	
Pression sonore (L _{pa})	78 dB(A), incertitude (K) 3 dB(A)
Puissance sonore (L _{wa})	98 dB(A), incertitude (K) 3 dB(A)

Valeurs totales des vibrations (somme vectorielle triaxiale) selon la norme EN 60745 :	
Découpe d'arbre tendre fraîchement abattu (a _{h,w})	<2,5 m/s ² Incertitude (K) 1,5 m/s ²

Déclaration de conformité CE DIRECTIVES MACHINES



GPC1820L, PS1820ST1 - Ébrancheur sans fil

Black & Decker déclare que les produits décrits dans les «Données techniques» sont conformes aux normes :
2006/42/CE, EN 60745-1:2009 +A11:2010,
EN 60745-2-15:2009 +A1:2010

Ces produits sont aussi conformes aux directives 2014/30/UE et 2011/65/UE. Pour plus de détails, veuillez contacter Black & Decker à l'adresse suivante ou reportez-vous au dos du manuel.

Le soussigné est responsable de la compilation du dossier technique et fait cette déclaration au nom de Black & Decker.

R. Laverick
Responsable technique
Black & Decker Europe, 210 Bath Road, Slough,
Berkshire, SL1 3YD
Royaume-Uni
21/11/2016

Garantie

Black & Decker assure la qualité de ses produits et offre une garantie* de 24 mois aux utilisateurs, à partir de la date d'achat. Cette garantie s'ajoute à vos droits légaux auxquels elle ne porte aucunement préjudice. Cette garantie est valable au sein des territoires des États membres de l'Union Européenne et au sein de la Zone européenne de libre-échange. Pour prétendre à la garantie, la réclamation doit être en conformité avec les conditions générales de Black & Decker et vous devez fournir une preuve d'achat au vendeur ou au réparateur agréé.

Les conditions générales de la garantie de 2 ans Black&Decker ainsi que l'adresse du réparateur agréé le plus proche sont disponibles sur le site Internet www.2helpU.com ou en contactant votre agence Black & Decker locale à l'adresse indiquée dans ce manuel.

Veuillez consulter notre site Internet www.blackanddecker.co.uk pour enregistrer votre nouveau produit Black & Decker et pour être tenu informé des nouveaux produits et offres spéciales.

Uso previsto

Il potatore telescopico senza filo BLACK+DECKER GPC1820L, PS1820ST1 è stato progettato per la potatura degli alberi. Questo elettroutensile è destinato esclusivamente all'uso privato.

Il caricabatterie Black & Decker è stato progettato per caricare le batterie Black & Decker fornite con questo elettroutensile.

Istruzioni di sicurezza

Avvisi di sicurezza generici per gli elettroutensili



Avvertenza! Leggere attentamente tutte le avvertenze e le istruzioni di sicurezza.

La mancata osservanza delle presenti avvertenze e istruzioni potrebbe causare scosse elettriche, incendi e/o infortuni gravi.

Conservare tutte le avvertenze e le istruzioni per consultazioni future. Il termine "elettrotensile" che ricorre in tutte le avvertenze riportate di seguito si riferisce a utensili elettrici alimentati tramite la rete elettrica (con filo) o alimentati a batteria (senza filo).

1. Sicurezza nella zona di lavoro

- Mantenere pulita e bene illuminata l'area di lavoro.** Gli ambienti disordinati o scarsamente illuminati favoriscono gli incidenti.
- Evitare di usare gli elettroutensili in ambienti esposti a rischio di esplosione, ad esempio in presenza di liquidi, gas o polveri infiammabili.** Gli elettroutensili generano scintille che possono incendiare le polveri o i fumi.
- Tenere lontani bambini e altre persone presenti mentre si usa un elettroutensile.** Le distrazioni possono provocare la perdita di controllo.

2. Sicurezza elettrica

- Le spine elettriche degli elettroutensili devono essere adatte alla presa. Non modificare la spina in alcun modo. Non utilizzare spine con adattatore con gli elettroutensili dotato di messa a terra.** Per ridurre il rischio di scossa elettrica evitare di modificare le spine e utilizzare sempre le prese appropriate.
- Evitare il contatto fisico con superfici collegate a terra, come tubi, radiatori, forni e frigoriferi.** Se il proprio corpo è collegato a terra, il rischio di scossa elettrica aumenta.
- Non esporre gli elettroutensili alla pioggia o all'umidità.** Se entra dell'acqua all'interno dell'elettrotensile, il rischio di scosse elettriche aumenta.

- Non utilizzare il cavo di alimentazione in modo improprio. Non spostare, tirare o scollegare mai l'elettrotensile dal cavo. Tenere il cavo di alimentazione lontano da fonti di calore, olio, bordi taglienti o parti in movimento.** Se il cavo è danneggiato o impigliato, il rischio di scossa elettrica aumenta.
- Se l'elettrotensile viene adoperato all'aperto, usare esclusivamente prolunghe omologate per l'impiego all'esterno.** L'uso di un cavo di alimentazione adatto ad ambienti esterni riduce il rischio di scossa elettrica.
- Se non è possibile evitare di lavorare in una zona umida, usare una rete elettrica protetta da un dispositivo a corrente residua (RCD).** L'uso di un dispositivo a corrente residua riduce il rischio di scossa elettrica.

3. Sicurezza delle persone

- È importante concentrarsi su ciò che si sta facendo e maneggiare con giudizio l'elettrotensile. Non utilizzare un elettroutensile quando si è stanchi o sotto l'effetto di droghe, alcool o medicinali.** Un solo attimo di distrazione durante l'uso di tali apparati potrebbe provocare gravi lesioni personali
- Usare dispositivi di protezione individuale. Indossare sempre dispositivi di protezione oculare.** L'uso di dispositivi di protezione, quali mascherine antipolvere, scarpe antinfortunistiche antiscivolo, caschi di sicurezza o protezioni uditive, in condizioni opportune consente di ridurre le lesioni personali.
- Impedire l'avviamento involontario. Accertarsi che l'interruttore di accensione sia in posizione "off" (spento), prima di collegare l'elettrotensile alla rete elettrica e/o al pacco batteria, di prenderlo in mano o di trasportarlo.** Per non esporsi al rischio di incidenti, non trasportare l'elettrotensile tenendo le dita sull'interruttore e non collegarlo a una fonte di alimentazione elettrica con l'interruttore in posizione "on" (acceso).
- Prima di accendere un elettroutensile, rimuovere eventuali utensili o chiavi di regolazione.** Un utensile di regolazione o una chiave fissati su una parte rotante dell'elettrotensile può provocare lesioni a persone.
- Non sbilanciarsi. Mantenere sempre un appoggio e un equilibrio adeguati.** Ciò consente un migliore controllo dell'elettrotensile nelle situazioni impreviste.
- Vestirsi adeguatamente. Non indossare abiti lenti o gioielli. Tenere i capelli, i vestiti e i guanti lontano dalle parti mobili.** Abiti larghi, gioielli o capelli lunghi possono impigliarsi nelle parti in movimento.
- Se gli elettroutensili sono provvisti di attacchi per il collegamento di dispositivi di aspirazione o di raccolta della polvere, assicurarsi che questi siano installati e utilizzati correttamente.** La raccolta delle polveri può ridurre i pericoli legati a queste ultime.

4. Uso e cura dell'elettrotensile

- a. **Non sovraccaricare l'elettrotensile. Utilizzare un apparato adatto al lavoro da eseguire.** L'elettrotensile lavora meglio e con maggior sicurezza secondo quanto è stato previsto.
- b. **Non utilizzare l'elettrotensile se l'interruttore è difettoso.** Qualsiasi elettrotensile che non possa essere controllato tramite l'interruttore è pericoloso e deve essere riparato.
- c. **Scollegare la spina dalla presa di corrente e/o il pacco batteria dall'elettrotensile prima di regolarlo, sostituirne gli accessori o riporlo in magazzino.** Queste misure di sicurezza preventive riducono il rischio di azionare accidentalmente l'elettrotensile.
- d. **Quando non vengono usati, gli elettrotensili devono essere custoditi fuori dalla portata dei bambini. Non consentire l'uso dell'elettrotensile a persone inesperte o che non abbiano letto le presenti istruzioni d'uso.** Gli elettrotensili sono pericolosi in mano a persone inesperte.
- e. **Sottoporre gli elettrotensili a regolare manutenzione. Verificare che le parti mobili siano correttamente allineate e non inceppate, che non vi siano componenti rotti e che non sussistano altre condizioni che possono compromettere il funzionamento dell'elettrotensile. Se danneggiato, far riparare l'elettrotensile prima dell'uso.** Molti incidenti sono provocati da elettrotensili non sottoposti a corretta manutenzione.
- f. **Mantenere affilati e puliti gli utensili da taglio.** La manutenzione corretta degli utensili da taglio con bordi affilati riduce le probabilità di inceppamento e ne facilita il controllo.
- g. **Utilizzare l'elettrotensile, gli accessori, le punte, ecc. in conformità alle presenti istruzioni, tenendo conto delle condizioni operative e del lavoro da completare.** L'utilizzo dell'elettrotensile per impieghi diversi da quelli previsti può dare luogo a situazioni di pericolo.

5. Uso e cura degli elettrotensili a batteria

- a. **Ricaricare il pacco batteria utilizzando esclusivamente il caricabatterie prescritto dal fabbricante.** Un caricabatterie adatto per un solo tipo di pacchi batteria può comportare il rischio d'incendio se usato con un pacco batteria diverso.
- b. **Usare gli elettrotensili esclusivamente con i pacchi batteria specificamente progettati per gli stessi.** L'impiego di pacchi batteria di tipo diverso potrebbe provocare il rischio di lesioni a persone e incendi.

- c. **Quando il pacco batteria non è in uso, tenerlo lontano da altri oggetti metallici, come graffette, monete, chiavi, chiodi, viti o altri oggetti metallici di piccole dimensioni, che potrebbero cortocircuitare un morsetto con l'altro.** Se i morsetti del pacco batteria vengono cortocircuitati potrebbero provocare ustioni o un incendio.
 - d. **In condizioni di sovraccarico, dai pacchi batteria potrebbe fuoriuscire del liquido: evitare di toccarlo. In caso di contatto accidentale, risciacquare la pelle con acqua. Se il liquido entra a contatto con gli occhi, consultare un medico.** Il liquido che fuoriesce dalla batteria può causare irritazioni o ustioni.
- #### 6. Assistenza
- a. **Fare riparare l'elettrotensile esclusivamente da personale specializzato e solo utilizzando pezzi di ricambio originali.** In questo modo sarà possibile mantenere la sicurezza dell'elettrotensile.

Altri avvisi di sicurezza per gli elettrotensili



Avvertenza! Avvertenze di sicurezza aggiuntive riguardanti gli avvitatori/i trapani.

- ◆ **Indossare sempre protezioni per le orecchie quanto si utilizza un trapano a percussione.** L'esposizione al rumore può causare la perdita dell'udito.
- ◆ **Usare le impugnature ausiliarie fornite con l'elettrotensile.** La perdita del controllo può causare lesioni a persone.
- ◆ **Tenere l'elettrotensile afferrando le impugnature isolate, se vi è la possibilità che l'accessorio di taglio possa venire a contatto con cavi nascosti o con il filo di alimentazione.** Gli accessori da taglio che vengono a contatto con un cavo sotto tensione trasmettono la corrente elettrica anche alle parti metalliche esposte dell'elettrotensile e possono provocare la folgorazione dell'operatore.
- ◆ **Tenere l'elettrotensile afferrando le impugnature isolate, se vi è la possibilità che la punta dell'avvitatore possa venire a contatto di cavi elettrici nascosti.** I dispositivi di fissaggio che vengono a contatto con un cavo sotto tensione trasmettono la corrente elettrica anche alle parti metalliche esposte dell'elettrotensile e possono provocare la folgorazione dell'operatore.
- ◆ **Usare morse o altri metodi pratici per fissare e bloccare il pezzo da lavorare a una piattaforma stabile.** Tenere il pezzo da lavorare con le mani o contro il corpo non ne assicura la stabilità e potrebbe comportare una perdita di controllo.
- ◆ **Prima di eseguire perforazioni in pareti, pavimenti o soffitti, verificare l'ubicazione di fili e tubazioni.**

- ◆ Evitare di toccare l'estremità di una punta di trapano subito dopo la trapanatura, perché potrebbe essere calda.
- ◆ L'utilizzo previsto è indicato nel presente manuale d'istruzioni. L'impiego dell'elettrotensile con accessori o per scopi diversi da quelli raccomandati nel presente manuale, potrebbe causare lesioni personali e/o danni alle cose.

Sicurezza altrui

- ◆ Questo apparato può essere usato da bambini dagli 8 anni in su e da persone con ridotte capacità fisiche, psichiche o sensoriali o che non ne abbiano esperienza o conoscenza, purché supervisionate o opportunamente istruite all'uso sicuro dell'apparecchio e ne comprendano i pericoli derivanti.
- ◆ I bambini non devono giocare con l'elettrodomestico. Gli interventi di pulizia e di manutenzione da parte dell'utente non devono essere eseguiti da bambini senza supervisione.

Rischi residui

L'utilizzo dell'elettrotensile può comportare rischi residui non necessariamente riportati nelle presenti avvertenze di sicurezza. Tali rischi possono sorgere a seguito di un uso prolungato o improprio, ecc.

Malgrado il rispetto delle principali norme di sicurezza e l'implementazione di dispositivi di sicurezza, alcuni rischi residui non possono essere evitati. Tali rischi residui includono:

- ◆ lesioni causate o subite a seguito del contatto con parti rotanti/in movimento;
- ◆ lesioni causate o subite durante la sostituzione di parti, lame o accessori;
- ◆ lesioni causate dall'impiego prolungato di un elettrotensile (Quando si usa qualsiasi elettrotensile per periodi prolungati, accertarsi di fare regolarmente delle pause.);
- ◆ menomazioni uditive;
- ◆ rischi per la salute causati dall'aspirazione di polvere generata dall'utilizzo dell'elettrotensile (ad esempio quando si lavora con il legno, in modo particolare quello di quercia, faggio o l'MDF).

Vibrazioni

I valori delle emissioni di vibrazioni dichiarati al paragrafo Dati tecnici e nella Dichiarazione di conformità del presente manuale sono stati misurati in base al metodo di test standard previsto dalla normativa EN 60745 e possono essere usati come parametri di confronto tra due utensili. Il valore delle emissioni di vibrazioni dichiarato può anche essere usato come valutazione preliminare dell'esposizione.

Avvertenza! Il valore delle emissioni di vibrazioni durante l'impiego effettivo dell'elettrotensile può variare da quello dichiarato a seconda delle modalità d'uso. Il livello delle vibrazioni può aumentare oltre quello dichiarato.

Quando si valuta l'esposizione alle vibrazioni per determinare le misure di sicurezza richieste dalla normativa 2002/44/CE destinata alla protezione delle persone che usano regolarmente gli elettrotensili nello svolgimento delle proprie mansioni, è necessario prendere in considerazione le condizioni effettive di utilizzo e il modo in cui l'utensile è usato, oltre che tenere in conto tutte le componenti del ciclo operativo, vale a dire i periodi in cui l'elettrotensile è spento, quelli in cui è acceso ma a riposo e quelli in cui è effettivamente utilizzato.

Potatura

Prima di iniziare la potatura di un albero, assicurarsi che non vi siano leggi e i regolamenti in vigore che proibiscano o controllino l'abbattimento dell'albero.

- ◆ Essere consapevoli della direzione in cui può cadere un ramo. Tenere conto di tutto ciò che può influire sulla direzione di caduta, tra cui:
 - ◆ la lunghezza e il peso del ramo da tagliare;
 - ◆ la direzione di caduta desiderata;
 - ◆ l'eventuale peso insolito del ramo e la possibilità che questo sia secco o marcio;
 - ◆ la presenza, nei dintorni, di alberi e ostacoli,
 - ◆ comprese le linee elettriche aeree;
 - ◆ l'intreccio con altri rami;
 - ◆ la velocità e direzione del vento.
- ◆ Valutare come raggiungere il ramo principale.

È probabile che i rami oscillino verso il tronco. Oltre all'operatore del potatore, anche gli eventuali osservatori, edifici o oggetti che si trovano al di sotto rischiano di essere colpiti dal ramo.

Etichette sull'elettrotensile

Sull'elettrotensile sono presenti i seguenti simboli assieme al codice data:



Avvertenza! Per ridurre il rischio di infortuni, l'utente deve leggere il manuale d'istruzione.



Non esporre l'elettrotensile alla pioggia o a un'umidità intensa.



Fare attenzione alla caduta di oggetti. Mantenere a distanza gli eventuali osservatori.



Pericolo di elettrocuzione. Tenersi ad almeno 10 m dalle linee elettriche aeree.



Indossare sempre un casco e occhiali di sicurezza.



Indossare scarpe di sicurezza antiscivolo.

Per garantire sempre un funzionamento sicuro, controllare la tensione della catena dopo ogni 10 minuti di utilizzo, come descritto nel presente manuale e, se necessario, regolarla di nuovo su un gioco di 3 mm. Lubrificare la catena ogni 10 minuti di utilizzo.



Direzione di rotazione della catena.



Avvertenza! Non toccare la catena in prossimità del punto di espulsione dei trucioli.

Istruzioni di sicurezza aggiuntive riguardanti batterie e caricabatterie

Batterie

- ◆ Non tentare mai di aprire le batterie per qualsiasi motivo.
- ◆ Non esporre le batterie all'acqua.
- ◆ Non riporre in luoghi dove la temperatura potrebbe superare 40°C.
- ◆ Caricare le batterie solo a temperature ambiente tra 10 °C e 40 °C.
- ◆ Caricare le batterie esclusivamente con il caricabatterie fornito con l'elettrotensile.
- ◆ Per lo smaltimento delle batterie, seguire le istruzioni fornite alla sezione "Protezione dell'ambiente".
- ◆ Non danneggiare/deformare il pacco batteria forandolo o colpendolo, per evitare il rischio di lesioni o di incendio.
- ◆ Non caricare il pacco batteria se danneggiato.
- ◆ In condizioni estreme, si potrebbe verificare la perdita di liquido dal pacco batteria.

Se si nota la presenza di liquido sul pacco batteria, pulirla con attenzione con uno straccio. Evitare il contatto con la pelle

- ◆ In caso di contatto con la pelle o gli occhi, seguire le istruzioni riportate di seguito.

Avvertenza! Il liquido delle batterie può causare lesioni a persone o danni alle cose. In caso di contatto con la pelle, risciacquare immediatamente con acqua. In caso di rossore, dolore o irritazione, rivolgersi immediatamente a un medico. In caso di contatto con gli occhi, risciacquarli immediatamente con acqua pulita e consultare un medico.

Caricabatterie

Il caricabatterie è stato progettato per una tensione specifica. Verificare sempre che la tensione di rete corrisponda alla tensione riportata nella targhetta dei valori nominali.

- ◆ Usare il caricabatterie BLACK+DECKER esclusivamente per caricare il pacco batteria dell'elettrotensile con il quale è stato fornito. Pacchi batteria diversi potrebbero scoppiare causando lesioni a persone e danni alle cose.
- ◆ Non tentare mai di caricare batterie non ricaricabili.

- ◆ Fare sostituire immediatamente i cavi di alimentazione difettosi.
- ◆ Non esporre il caricabatterie all'acqua.
- ◆ Non aprire il caricabatterie.
- ◆ Non esplorare l'interno del caricabatterie.
- ◆ Il caricabatterie deve essere lasciato in una zona ben ventilata durante la carica.

Simboli sul caricabatterie

Sul caricabatterie sono presenti i seguenti simboli:



Il caricabatterie è destinato all'uso in interni.



Leggere il presente manuale d'uso prima dell'impiego.

Sicurezza elettrica



Il doppio isolamento di cui è provvisto il caricabatterie rende superfluo il filo di terra. Controllare sempre che la tensione di rete corrisponda a quella indicata sulla targhetta dei dati tecnici. Non tentare mai di sostituire il caricabatterie con una spina elettrica tradizionale.

- ◆ In caso di danneggiamento del cavo di alimentazione, è necessario farlo riparare dal fabbricante o presso un centro assistenza BLACK+DECKER autorizzato, in modo da evitare rischi.

Caratteristiche

Questo elettrotensile presenta alcune o tutte le seguenti caratteristiche.

1. Interruttore di accensione/spengimento
2. Pulsante di blocco interruttore
3. Impugnatura principale
4. Testa della sega
5. Copri rocchetto
6. Barra di guida
7. Catena
8. Guaina catena
9. Flacone per lubrificazione
10. Tubo di prolunga rigido
11. Batteria

Fig. A

12. Caricabatterie

Assemblaggio

Avvertenza! Prima dell'assemblaggio, estrarre il pacco batteria dall'elettrotensile.

Montaggio e rimozione del pacco batteria (Fig. B)

- ◆ Per montare il pacco batteria (11), allinearli all'apposito vano sull'elettrotensile. Infilare il pacco batteria nell'apposito vano e premerlo fino a quando si aggancia in sede.
- ◆ Per rimuovere il pacco batteria, premere il pulsante di rilascio (13) estraendo al tempo stesso il pacco batteria dall'apposito vano.

Avvertenza! Per evitare l'azionamento involontario, accertarsi di aver estratto il pacco batteria e di aver montato la guaina sulla catena prima di eseguire gli interventi descritti di seguito. In caso contrario si potrebbero subire o causare lesioni gravi.

Montaggio della testa della sega (Fig. C)

La testa della sega può essere montata direttamente sull'impugnatura per ottenere il normale campo di azione.

- ◆ Allineare la scanalatura sull'esterno del lato di accoppiamento dell'impugnatura (3) alla linguetta sull'interno del lato di accoppiamento della testa della sega (4). Calzare la testa della sega (4) sull'impugnatura (3).
- ◆ Far scorrere verso il basso il collare (14) e ruotarlo in senso orario fino a serrarlo completamente.

Avvertenza! Controllare periodicamente i collegamenti per verificare che siano sempre ben serrati.

Estensione della testa della sega (Fig. D)

È possibile ottenere il campo di azione massimo montando il tubo di prolunga (10) tra la testa della sega (4) e l'impugnatura (3).

- ◆ Allineare la scanalatura sull'esterno del lato di accoppiamento dell'impugnatura (3) alla linguetta sull'interno del lato di accoppiamento del tubo di prolunga (10).
- ◆ Calzare il tubo di prolunga (10) sull'impugnatura (3).
- ◆ Far scorrere verso il basso il collare (15) e ruotarlo in senso orario fino a serrarlo completamente.
- ◆ Allineare la scanalatura sull'esterno del lato di accoppiamento del tubo di prolunga (10) alla linguetta sull'interno del lato di accoppiamento della testa della sega (4).
- ◆ Calzare la testa della sega (4) sul tubo di prolunga (10).
- ◆ Far scorrere verso il basso il collare (14) e ruotarlo in senso orario fino a serrarlo completamente.

Avvertenza! Controllare periodicamente i collegamenti per verificare che siano sempre ben serrati.

Smontaggio della testa della sega (Fig. C e D)

Se il tubo di prolunga (10) è montato, per prima cosa è necessario rimuovere la testa della sega.

- ◆ Per smontare la testa della sega (4), appoggiare a terra l'impugnatura (3), allentare il collare (14) e staccare la testa della sega.

Utilizzo

Avvertenza! Lasciare che l'elettrotensile funzioni al suo ritmo. Non sovraccaricarlo.

Carica del pacco batteria - Figura A

Il pacco batteria deve essere caricato prima dell'impiego iniziale e quando non eroga una potenza sufficiente per lavori che prima era possibile eseguire facilmente. Durante la carica, il pacco batteria potrebbe riscaldarsi. Si tratta di un fatto normale che non indica che vi è un problema.

Avvertenza! Non caricare il pacco batteria a temperature ambientali inferiori a 10°C o superiori a 40°C. La temperatura di carica consigliata è di circa 24°C.

Nota: il caricabatterie non carica un pacco batteria se la temperatura della cella è inferiore a 10°C o superiore a 40°C.

Il pacco batteria deve essere lasciato nel caricabatterie, che incomincerà a caricarlo automaticamente quando la temperatura della cella aumenta o diminuisce.

- ◆ Per ricaricare il pacco batteria (11), estrarlo dall'elettrotensile e inserirlo nel caricabatterie (12). Il pacco batteria può essere inserito nel caricabatterie solo in un verso. Non forzare. Accertarsi che il pacco batteria sia completamente inserito nel caricabatterie.
- ◆ Collegare il caricabatterie alla presa di corrente.
- ◆ L'indicatore di carica (24) inizia a lampeggiare di verde in modo continuo (lentamente).

La carica è completa quando l'indicatore di carica (24) smette di lampeggiare e rimane illuminato di verde fisso. Il caricabatterie e il pacco batteria possono essere lasciati collegati con il LED illuminato per un tempo indefinito. Il LED passa al lampeggio verde (carica in corso) quando l'alimentatore di tanto in tanto rabbocca la carica del pacco batteria. L'indicatore di carica (24) si accende se il pacco batteria è inserito nel caricabatterie collegato a una presa elettrica.

- ◆ Caricare i pacchi batteria scarichi entro 1 settimana. La durata dei pacchi batteria diminuisce parecchio se sono conservati scarichi.

Pacco batteria lasciato nel caricabatterie

Il caricabatterie e il pacco batteria possono essere lasciati collegati con il LED illuminato per un tempo indefinito. Il caricabatterie mantiene il pacco batteria fresco e completamente carico.

Diagnostica del caricabatterie

Se il caricabatterie rileva che il pacco batteria non è abbastanza carico o danneggiato, l'indicatore di carica (24) si illumina di rosso e inizia a lampeggiare rapidamente. Procedere come descritto di seguito.

- ◆ Inserire di nuovo il pacco batteria (11).
- ◆ Se l'indicatore di carica continua a lampeggiare di rosso rapidamente, usare un pacco batteria diverso per verificare se il ciclo di carica funziona correttamente.
- ◆ Se il pacco batteria di ricambio si carica correttamente, significa che quello originale è difettoso e deve essere portato presso un centro di assistenza per essere riciclato.
- ◆ Se anche con il nuovo pacco batteria l'indicatore di carica si comporta allo stesso modo, portare il caricabatterie presso un centro di assistenza autorizzato.

Nota: per determinare se il pacco batteria è difettoso possono essere necessari anche 60 minuti. Se il pacco batteria è troppo caldo o troppo freddo, il LED lampeggia di rosso in modo alterno veloce e lento, un lampeggio a ciascuna velocità, ripetuti nel tempo.

Accensione e spegnimento (Fig. E)

Questo elettrotensile è dotato di un sistema a doppio interruttore per la sicurezza dell'operatore. Tale sistema impedisce l'avviamento indesiderato dell'elettrotensile.

Accensione

- ◆ Spingere indietro il pulsante di sicurezza (2) con il pollice premendo contemporaneamente l'interruttore di accensione (1).
- ◆ Rilasciare il pulsante di sicurezza (2).

Spegnimento

- ◆ Rilasciare l'interruttore di accensione (1).

Avvertenza! Non tentare mai di bloccare un interruttore in posizione "on" (acceso).

Potatura (Fig. F)

- ◆ Assicurarsi che l'elettrotensile funzioni alla massima velocità prima di iniziare un taglio.
- ◆ Mantenere saldamente in posizione l'elettrotensile evitando possibili rimbalzi o movimenti laterali. Guidare l'elettrotensile attraverso il ramo esercitando una leggera pressione. Quando si tagliano rami pesanti, dove un taglio parziale potrebbe scheggiare e danneggiare l'albero, procedere come descritto di seguito.
- ◆ Praticare il primo taglio a 15 cm dal tronco dell'albero sulla parte inferiore del ramo principale. Usare la parte superiore della barra di guida (6) per praticare questo taglio.

- ◆ Tagliare un terzo del diametro del ramo principale. Quindi tagliare dall'alto verso il basso.

Pulitura, manutenzione e conservazione

Questo elettrotensile BLACK+DECKER con o senza filo è stato progettato per funzionare a lungo con una manutenzione minima. Prestazioni sempre soddisfacenti dipendono da una cura appropriata e da una pulizia regolare.

Avvertenza! Prima di eseguire interventi di manutenzione su elettrotensili con o senza filo procedere come descritto di seguito.

- ◆ Spegnerne e scollegare l'apparecchio/elettrotensile dalla presa di corrente.
- ◆ Oppure spegnere l'apparecchio/elettrotensile ed estrarre la batteria se è dotato di un pacco batteria separato.
- ◆ Oppure scaricare completamente il pacco batteria se è integrato, quindi spegnerlo.
- ◆ Scollegare il caricabatterie dalla presa elettrica prima di pulirlo. Il caricabatterie non richiede nessuna manutenzione, salvo una regolare pulitura.

Pulire regolarmente le feritoie di ventilazione dell'apparecchio/elettrotensile e del caricabatterie con un pennello o un panno morbido e asciutto.

Il vano del motore deve essere pulito regolarmente con un panno umido. Non usare materiali abrasivi o detergenti a base di solventi.

Aprire regolarmente il mandrino (se in dotazione) e batterlo leggermente per eliminare la polvere dall'interno.

Dopo l'uso e prima di riporre l'elettrotensile

- ◆ Pulire regolarmente le feritoie di ventilazione con un pennello pulito e asciutto.
- ◆ Per pulire l'elettrotensile, utilizzare solamente sapone neutro e un panno umido. Evitare la penetrazione di liquidi all'interno dell'elettrotensile e non immergere mai nessuna parte dello stesso in un liquido.
- ◆ Eliminare i trucioli con una spazzola rigida.
- ◆ Lubrificare la catena con olio.

Montaggio e rimozione della catena (Figg. G e H)

Avvertenza! Indossare sempre guanti di protezione per l'installazione e la rimozione della catena. La catena è affilata e può causare ferite da taglio anche da ferma.

- ◆ Appoggiare l'elettrotensile su una superficie stabile e rigida.
- ◆ Allentare le viti (16) utilizzando la chiave di Allen fornita in dotazione. Rimuovere le viti.
- ◆ Togliere il copri rochetto (5) e il morsetto della barra (17).
- ◆ Ruotare le vite (18) in senso antiorario per consentire alla barra di guida (6) di retrocedere e di ridurre la tensione sulla catena (7). Estrarre la vecchia catena dal rochetto (19) e la barra di guida (6).

- ◆ Infilare la nuova catena nella gola della barra di guida e attorno al rocchetto. Accertarsi che i denti siano rivolti nella direzione corretta abbinando la freccia sulla catena a quella sull'alloggiamento.
- ◆ Accertarsi che la fessura (20) nella barra di guida sia sopra le spine di centraggio (21) e che il foro (22) sotto la fessura sia situato sopra la spina di regolazione (23).
- ◆ Rimontare il copri rocchetto (5), il morsetto della barra e le viti (16).
- ◆ Allentare le viti (16) utilizzando la chiave di Allen fornita in dotazione.
- ◆ Regolare la tensione della catena come descritto di seguito.

Onde garantire un funzionamento sicuro, la catena e la barra di guida devono essere sostituite solo con ricambi originali Black & Decker. Numero di parte della catena di ricambio: A6158; numero di parte della barra di guida: 623381-00.

Controllo e regolazione della tensione della catena (Fig. G)

- ◆ Controllare la tensione della catena. La tensione è corretta quando la catena (7) scatta all'indietro dopo essere stata allontanata di 3 mm dalla sua barra con una leggera pressione dell'indice e del pollice. Non devono esservi cedimenti sul lato inferiore tra la barra di guida (6) e la catena (7).

Regolazione della tensione:

- ◆ Allentare le viti (16).
- ◆ Ruotare la vite (18) in senso orario.

Avvertenza! Non tendere eccessivamente la catena: ciò causa un logorio eccessivo e abbrevia la vita della barra di guida e della catena stessa.

- ◆ Quando la tensione della catena è corretta, serrare le viti.

Avvertenza! Quando la catena è nuova, controllarne la tensione frequentemente nel corso delle due prime ore di impiego, dato che le catene nuove cedono leggermente.

Lubrificazione della catena

La catena deve essere oliata prima di ciascun impiego e dopo la pulitura usando solo olio di tipo corretto (n. cat. A6027).

- ◆ Oliare uniformemente l'intera catena (7) per mezzo dell'oliatore (9).

Stoccaggio

Se l'elettrotrattente non deve essere usato per parecchi mesi, si consiglia di lasciare la batteria collegata all'alimentatore.

Altrimenti eseguire gli interventi descritti di seguito.

- ◆ Caricare completamente la batteria.
- ◆ Estrarre la batteria dall'elettrotrattente.
- ◆ Conservare l'elettrotrattente e la batteria in un posto sicuro e asciutto.

- ◆ La temperatura del luogo in cui si ripone l'elettrotrattente deve sempre essere da +10°C a +40°C. Appoggiare la batteria su di una superficie piana.
- ◆ Prima di usare l'elettrotrattente dopo un lungo periodo di inutilizzo, caricare di nuovo, completamente, la batteria.

Protezione dell'ambiente



Raccolta differenziata. I prodotti e i pacchi batteria contrassegnati con questo simbolo devono essere smaltiti con i rifiuti domestici normali.

I prodotti e i pacchi batteria contengono materiali che possono essere recuperati o riciclati riducendo la richiesta di materie prime.

Riciclare i prodotti elettrici e i pacchi batteria secondo le disposizioni locali. Ulteriori informazioni sono disponibili all'indirizzo www.2helpU.com

Dati tecnici

		GPC1820L H1	PS1820ST1 H1
Tensione	V _{DC}	18	18
Velocità catena senza carico	min ⁻¹	190	190
Lunghezza massima di taglio	cm	17	17
Capacità del mandrino	mm	13	13
Peso	kg	3,5	3,5

Batteria		BL2018	BL2018ST
Tensione	V _{DC}	18	18
Capacità	Ah	2	2
Tipo		Agli ioni di litio	Agli ioni di litio

Caricabatterie		905902** (Tipo 1)	906349**
Tensione in ingresso	V _{DC}	100 - 240	200-240
Tensione in uscita	Ah	8 - 20	8-20
Corrente in uscita	mA	400	1000

Livello di pressione sonora misurato in base a EN 60745:

Pressione sonora (L_{pa}) 78 dB(A), incertezza (K) 3 dB(A)

Potenza acustica (L_{wa}) 98 dB(A), incertezza (K) 3 dB(A)

Valori totali vibrazioni (somma vettoriale triassiale) in base a EN 60745:

Taglio di legno dolce appena abbattuto (a_{n,w}) = <2,5 m/s² Incertezza (K) 1.5 m/s²

Dichiarazione di conformità CE

DIRETTIVA MACCHINE



Potatore telescopico cordless GPC1820L, PS1820ST1

Black & Decker dichiara che i prodotti descritti al capitolo "Dati tecnici" sono conformi alle seguenti norme:
2006/42/CE, EN 60745-1:2009 +A11:2010,
EN 60745-2-15:2009 +A1:2010

Questi prodotti sono conformi alle Direttive 2014/30/UE e 2011/65/UE. Per ulteriori informazioni, contattare Black & Decker al seguente indirizzo oppure consultare l'ultima di copertina del manuale.

Il firmatario è responsabile della compilazione del documento tecnico e rende questa dichiarazione per conto di
Black & Decker.

R. Laverick
Engineering Manager
Black & Decker Europe, 210 Bath Road, Slough,
Berkshire, SL1 3YD
Regno Unito
21/11/2016

Garanzia

Black & Decker è sicura della qualità dei propri prodotti e offre ai consumatori una garanzia di 24 mesi dalla data di acquisto. Il presente certificato di garanzia è complementare ai diritti legali e non li pregiudica in alcun modo. La garanzia è valida sui territori degli stati membri dell'Unione Europea o dell'EFTA (Associazione europea di libero scambio). Per attivare la garanzia, il reclamo deve essere effettuato in accordo con i Termini e Condizioni Black & Decker e sarà necessario presentare la prova di acquisto al venditore o all'agente di riparazione autorizzato.

I Termini e condizioni della garanzia Black & Decker di 2 anni e la sede dell'agente di riparazione autorizzato più vicino sono consultabili su Internet all'indirizzo www.2helpU.com, o contattando l'ufficio Black & Decker di zona all'indirizzo indicato in questo manuale.

Visitare il nostro sito www.blackanddecker.co.uk per registrare il nuovo prodotto Black & Decker e ricevere gli aggiornamenti sui nuovi prodotti e le offerte speciali.

Bedoeld gebruik

De BLACK+DECKER GPC1820L, PS1820ST1 snoerloze takkenzaag is ontworpen voor het snoeien van bomen. Dit gereedschap is uitsluitend bestemd voor consumentengebruik. De lader van BLACK+DECKER is bedoeld voor het opladen van BLACK+DECKER-accu's van het type dat bij dit gereedschap is geleverd.

Veiligheidsinstructies

Algemene veiligheidswaarschuwingen voor elektrisch gereedschap



Waarschuwing! Lees alle veiligheidswaarschuwingen en alle instructies. Wanneer de volgende waarschuwingen en voorschriften niet in acht worden genomen, kan dit een elektrische schok, brand of ernstig letsel tot gevolg hebben.

Bewaar alle waarschuwingen en instructies als referentiemateriaal. De hierna gebruikte term 'elektrisch gereedschap' in alle waarschuwingen die hieronder worden vermeld, heeft betrekking op elektrisch gereedschap voor gebruik op netspanning (met netsnoer) of met een accu (snoerloos).

1. Veilige werkomgeving

- a. **Houd uw werkomgeving schoon en goed verlicht.** Op rommelige of donkere plekken zullen sneller ongelukken gebeuren.
- b. **Werk niet met elektrisch gereedschap in een omgeving met explosiegevaar, zoals in de nabijheid van brandbare vloeistoffen, gassen of stof.** Elektrisch gereedschap veroorzaakt vonken die het stof of de dampen kunnen doen ontbranden.
- c. **Houd kinderen en omstanders tijdens het gebruik van elektrisch gereedschap op afstand.** Als u wordt afgeleid, kunt u de controle over het gereedschap verliezen.

2. Elektrische veiligheid

- a. **De netstekker van het gereedschap moet in het stopcontact passen. Pas de stekker nooit op enige manier aan. Gebruik geen adapterstekkers in combinatie met geaard elektrisch gereedschap.** Niet-aangepaste stekkers en passende contactdozen verminderen het risico van een elektrische schok.
- b. **Vermijd aanraking van het lichaam met geaarde oppervlakken, bijvoorbeeld buizen, verwarmingen, fornuizen en koelkasten.** Er bestaat een verhoogd risico van een elektrische schok als uw lichaam contact heeft met aarde.

- c. **Stel het gereedschap niet bloot aan regen en vocht.**
Als er water in een elektrisch gereedschap dringt, verhoogt dit het risico van een elektrische schok.
- d. **Behandel het snoer voorzichtig. Gebruik het snoer nooit om het elektrische gereedschap te dragen of naar u toe te trekken, of de stekker uit het stopcontact te halen. Houd het snoer uit de buurt van warmte, olie, scherpe randen, of bewegende onderdelen.**
Beschadigde snoeren of snoeren die in de war zijn geraakt, verhogen het risico van een elektrische schok.
- e. **Gebruik, wanneer u buitenshuis met elektrisch gereedschap werkt, alleen verlengsnoeren die zijn goedgekeurd voor gebruik buitenshuis.** Het gebruik van een verlengsnoer dat geschikt is voor binnen vermindert het risico van een elektrische schok.
- f. **Als u met elektrisch gereedschap werkt op een vochtige locatie, gebruik dan een aardlekschakelaar (RCD).**
Het gebruik van een aardlekschakelaar vermindert het risico van een elektrische schok.
- 3. Persoonlijke veiligheid**
- a. **Blijf alert, let goed op wat u doet en ga met verstand te werk bij het gebruik van elektrische gereedschappen. Gebruik het gereedschap niet als u vermoeid bent of onder de invloed van drugs, alcohol of medicatie bent.**
Een moment van onoplettendheid tijdens het werken met elektrisch gereedschap kan leiden tot ernstig persoonlijk letsel.
- b. **Draag persoonlijke beschermende uitrusting. Draag altijd oogbescherming.** Beschermende uitrusting, zoals een stofmasker, antislip veiligheidsschoenen, een helm, of gehoorbescherming, gebruikt in de juiste omstandigheden, zal het risico op persoonlijk letsel verminderen.
- c. **Voorkom per ongeluk inschakelen. Controleer dat de schakelaar in de uit-stand staat voordat u het gereedschap aansluit op het stopcontact en/of de accu plaatst en voordat u het gereedschap optilt of gaat dragen.** Het dragen van elektrisch gereedschap met uw vinger op de schakelaar of het aanzetten van elektrisch gereedschap waarvan de schakelaar aan staat, kan leiden tot ongelukken.
- d. **Verwijder instelgereedschappen of schroefsleutels voordat u het gereedschap inschakelt.** Een steeksleutel of een inbussleutel in een draaiend deel van het gereedschap kan tot verwondingen leiden.
- e. **Reik niet buiten uw macht. Blijf altijd stevig en in balans op de grond staan.** Dit geeft u betere controle over het elektrisch gereedschap in onverwachte situaties.
- f. **Draag geschikte kleding. Draag geen loszittende kleding of sieraden. Houd uw haar, kleding en handschoenen uit de buurt van bewegende onderdelen.** Loszittende kleding, sieraden of lang haar kunnen door bewegende delen worden gegrepen.
- g. **Als voorzieningen voor stofafzuiging of stofopvang kunnen worden gemonteerd, controleer dan dat deze zijn aangesloten en op de juiste wijze worden gebruikt.** Het gebruik van stofafzuiging kan aan stof gerelateerde gevaren verminderen.
- 4. Gebruik en onderhoud van elektrisch gereedschap**
- a. **Overbelast het elektrisch gereedschap niet. Gebruik het juiste elektrisch gereedschap voor uw toepassing.**
Met het juiste elektrisch gereedschap kunt u de werkzaamheden waarvoor het gereedschap is ontworpen, beter en veiliger uitvoeren.
- b. **Gebruik het elektrisch gereedschap niet als de schakelaar niet goed werkt.** Ieder gereedschap dat niet met de schakelaar kan worden bediend, is gevaarlijk en moet worden gerepareerd.
- c. **Trek de stekker uit het stopcontact en/of de accu uit het elektrisch gereedschap voordat u het gereedschap instelt, toebehoren wisselt of het gereedschap opbergt.** Dergelijke preventieve veiligheidsmaatregelen verminderen het risico dat het elektrisch gereedschap per ongeluk wordt gestart.
- d. **Bewaar elektrisch gereedschap dat niet wordt gebruikt, buiten bereik van kinderen. Laat niet personen die er niet vertrouwd mee zijn en deze aanwijzingen niet hebben gelezen met het gereedschap werken.** Elektrisch gereedschap is gevaarlijk in handen van ongetrainde gebruikers.
- e. **Onderhoud het gereedschap goed. Controleer of bewegende delen van het gereedschap wel goed functioneren en niet klemmen, en of er niet onderdelen zodanig zijn gebroken of beschadigd dat de werking van het gereedschap nadelig wordt beïnvloed. Laat het gereedschap voor gebruik repareren als het beschadigd is.** Veel ongelukken worden veroorzaakt door slecht onderhouden elektrisch gereedschap.
- f. **Houd zaag- en snijgereedschap scherp en schoon.** Goed onderhouden zaaggereedschap met scherpe snijvlakken loopt minder snel vast en is gemakkelijker onder controle te houden.
- g. **Gebruik elektrisch gereedschap, toebehoren, zaagjes en boortjes, enz., volgens deze aanwijzingen. Let daarbij op de arbeidsomstandigheden en de uit te voeren werkzaamheden.** Gebruik van het elektrisch gereedschap voor werkzaamheden die anders zijn dan bedoeld, kan leiden tot een gevaarlijke situatie.
- 5. Gebruik en onderhoud van accugereedschap**
- a. **Laad accu's alleen op met de door de fabrikant aanbevolen lader.** Een lader die geschikt is voor het ene

type accu, kan een risico van brand doen ontstaan bij gebruik met een andere accu.

- b. **Gebruik elektrisch gereedschap alleen in combinatie met specifiek vermelde accu's.** Het gebruik van andere accu's kan gevaar voor letsel en brand opleveren.
- c. **Houd de accu, wanneer u deze niet gebruikt, weg bij andere metalen objecten zoals paperclips, munten, sleutels, spijkers, schroeven of andere kleine metalen voorwerpen die een verbinding tot stand kunnen brengen tussen de ene pool en de andere.** Als kortsluiting tussen de polen van de accu wordt gemaakt, kan dit tot brandwonden of brand leiden.
- d. **Wanneer de accu slecht wordt behandeld, kan er vloeistof uit de accu spuiten, vermijd contact met deze vloeistof. Als er per ongeluk contact ontstaat, spoel dan met water. Als de vloeistof in de ogen komt, roep dan tevens medische hulp in.** Vloeistof uit de accu kan irritatie en brandwonden veroorzaken.

6. Service

- a. **Laat het gereedschap alleen repareren door gekwalificeerd en vakkundig personeel en alleen met originele vervangingsonderdelen.** De veiligheid van het gereedschap blijft dan gewaarborgd.

Aanvullende veiligheidswaarschuwingen voor elektrisch gereedschap



Waarschuwing! Aanvullende veiligheidswaarschuwingen voor boormachines/schroevendraaiers

- ◆ **Draag gehoorbescherming wanneer u de boorhamer gebruikt.** Blootstelling aan lawaai kan gehoorverlies veroorzaken.
- ◆ **Gebruik de extra handgrepen die bij het gereedschap worden geleverd.** Verlies van controle kan leiden tot persoonlijk letsel.
- ◆ **Houd het elektrisch gereedschap vast aan de geïsoleerde handgrepen wanneer u werkzaamheden uitvoert waarbij het gereedschap met verborgen draden in aanraking kan komen.** Accessoires van gereedschap die in contact komen met bedrading waar spanning op staat, kunnen metalen onderdelen van het gereedschap onder stroom zetten en de gebruiker een elektrische schok geven.
- ◆ **Houd het gereedschap vast aan de geïsoleerde handgrepen wanneer u werkzaamheden uitvoert waarbij het bevestigingsmateriaal in aanraking kan komen met verborgen bedrading.** Bevestigingsmateriaal dat in contact komt met bedrading die onder stroom staat, kan metalen onderdelen van het gereedschap onder stroom zetten en de gebruiker een elektrische schok geven.

- ◆ **Zet het werkstuk met klemmen of op een andere praktische manier vast en ondersteun het werkstuk op een stabiele ondergrond.** Wanneer u het werkstuk vasthoudt met de hand of het tegen uw lichaam gedrukt houdt, is het instabiel en kunt u de controle verliezen.
- ◆ Controleer waar zich bedrading en leidingen bevinden voordat u in muren, vloeren of plafonds boort.
- ◆ Raak de punt van een boor niet meteen na het boren aan. Deze punt kan heet zijn.
- ◆ Het bedoeld gebruik wordt beschreven in deze instructiehandleiding. Het gebruik van andere accessoires of hulpstukken of uitvoering van andere handelingen met dit gereedschap dan die in deze instructiehandleiding worden aanbevolen, kan leiden tot persoonlijk letsel en/of materiële schade.

Veiligheid van anderen

- ◆ Dit apparaat mag worden gebruikt door kinderen van 8 jaar en ouder en personen die lichamelijk of geestelijk minder valide zijn of die geen ervaring met of kennis van dit apparaat hebben, mits deze onder toezicht staan of instructies krijgen voor veilig manier gebruik van het apparaat en inzicht hebben in de mogelijke gevaren. Kinderen mogen niet met het apparaat spelen. Laat kinderen nooit zonder toezicht het apparaat schoonmaken of onderhouden.
- ◆ Houd toezicht op kinderen om ervoor te zorgen dat zij niet met het apparaat gaan spelen.

Overige risico's

- Er kunnen zich bij het gebruik van dit gereedschap nog meer risico's voordoen, die mogelijk niet in de bijgesloten veiligheidswaarschuwingen worden beschreven. Deze risico's kunnen zich voordoen door onoordeelkundig gebruik, langdurig gebruik, enz.
- Zelfs wanneer de veiligheidsvoorschriften in acht worden genomen en de veiligheidsvoorzieningen worden gebruikt, kunnen bepaalde risico's niet worden uitgesloten. Dit zijn onder meer:
- ◆ Verwondingen die worden veroorzaakt door aanraking van draaiende/bewegende onderdelen.
 - ◆ Verwondingen die worden veroorzaakt bij het vervangen van onderdelen, zaagbladen of accessoires.
 - ◆ Verwondingen die worden veroorzaakt door langdurig gebruik van gereedschap. Wanneer u langere periodes met het gereedschap werkt, kunt u het beste regelmatig een pauze nemen.
 - ◆ Gehoorbeschadiging.
 - ◆ Gezondheidsrisico's door het inademen van stof dat vrijkomt bij gebruik van uw gereedschap (bijv.: het werken met hout, vooral eiken, beuken en MDF.)

Trillingen

De aangegeven waarden voor trillingsemmissie in de technische gegevens en de conformiteitsverklaring, zijn gemeten conform een standaardtestmethode die door EN 60745 wordt verstrekt. Hiermee kan het ene gereedschap met het andere worden vergeleken. De aangegeven waarde voor trillingsemmissie kan ook worden gebruikt bij een voorlopige bepaling van blootstelling.

Waarschuwing! De waarde voor trillingsemmissie tijdens het werkelijke gebruik van het gereedschap kan verschillen van de aangegeven waarde afhankelijk van de manieren waarop het gereedschap wordt gebruikt. Het trillingsniveau kan toenemen tot boven het aangegeven niveau.

Bij beoordeling van de blootstelling aan trillingen met het doel vast te stellen welke veiligheidsmaatregelen 2002/44/EG vereist ter bescherming van personen die tijdens hun werk regelmatig elektrisch gereedschap gebruiken, moet bij een inschatting van de blootstelling aan trillingen rekening worden gehouden met de werkelijke gebruiksomstandigheden en de manier waarop het gereedschap wordt gebruikt. Daarbij moet ook rekening worden gehouden met alle onderdelen van de bedrijfscyclus, zoals wanneer het gereedschap wordt uitgeschakeld en wanneer het gereedschap stationair loopt en ook de aanlooptijd.

Snoeien

Controleer voordat u gaat snoeien of er geen wetten of voorschriften zijn die een verbod of voorschriften inhouden voor het vellen van de boom.

- ◆ Wees u bewust van de waarschijnlijke valrichting van takken. Houd rekening met alle factoren die de valrichting kunnen beïnvloeden, zoals:
 - ◆ de lengte en het gewicht van de te zagen tak
 - ◆ de beoogde valrichting
 - ◆ een verdikking of rotte plek
 - ◆ de aanwezigheid van andere bomen of obstakels,
 - ◆ bovengrondse kabels
 - ◆ vervlechtingen van de tak met andere takken
 - ◆ de richting en kracht van de wind
- ◆ Houd rekening met de toegankelijkheid van de tak.

Takken zullen meestal in de richting van de boomstam zwaaien. U loopt niet alleen zelf het risico door de vallende tak te worden geraakt, maar ook omstanders, een gebouw of een voorwerp.

Etiketten op het gereedschap

Behalve van de datumcode is het gereedschap voorzien van de volgende symbolen:



Waarschuwing! De gebruiker moet de instructiehandleiding lezen zodat het risico van letsel wordt beperkt.



Het gereedschap mag niet aan regen of hoge vochtigheid worden blootgesteld.



Wees bedacht op vallende voorwerpen. Houd omstanders uit de buurt.



Elektrocutegevaar. Blijf minimaal 10 meter uit de buurt van bovengrondse kabels.



Draag altijd hoofd- en oogbescherming.



Draag antislipschoeisel.



Controleer, voor een voortdurend veilig gebruik steeds na 10 minuten gebruik de kettingsspanning, zoals beschreven in deze handleiding en stel, als dat nodig is, de ketting opnieuw af op een speling van 3 mm. Smeer de ketting steeds na 10 minuten gebruik.



Draairichting van de ketting.



Waarschuwing! Raak de ketting niet aan bij de zaagselafvoer.

Aanvullende veiligheidsinstructies voor accu's en laders

Accu's

- ◆ Probeer nooit om welke reden dan ook de accu open te maken.
- ◆ Stel de accu niet bloot aan water.
- ◆ Bewaar de accu niet op locaties waar de temperatuur kan stijgen tot boven 40 °C.
- ◆ Laad de accu's alleen op bij een omgevingstemperatuur tussen 10 °C en 40 °C.
- ◆ Laad de accu alleen op in de lader die bij het gereedschap wordt geleverd.
- ◆ Volg wanneer u accu's wegdoet, de instructies in het hoofdstuk "Het milieu beschermen".
- ◆ U mag de accubehuizing niet beschadigen of vervormen, er gaten in prikken of ertegenaan stoten, omdat hierdoor een risico van letsel en brand kan ontstaan.
- ◆ Laad beschadigde accu's niet op.
- ◆ Onder extreme omstandigheden kunnen accu's lek raken. Wanneer de accu's nat of vochtig zijn, veegt u de vloeistof voorzichtig af met een doek. Vermijd huidcontact.
- ◆ Volg onderstaande instructies wanneer de vloeistof in contact komt met uw huid of ogen.

Waarschuwing! De accuvloeistof kan lichamelijk letsel of materiële schade veroorzaken. Bij huidcontact moet u de vloeistof direct afspoelen met water. Raadpleeg uw huisarts als er rode vlekken ontstaan of bij een pijnlijke of geïrriteerde huid. Bij oogcontact moet u de vloeistof direct uitspoelen met water en uw huisarts raadplegen.

Laders

De lader is ontworpen voor een bepaalde spanning. Controleer altijd dat de netspanning overeenkomt met de waarde op het typeplaatje.

- ◆ Gebruik de lader van BLACK+DECKER alleen voor de accu's in het gereedschap waarbij de lader is geleverd. Andere accu's kunnen openbarsten, met letsel en materiële schade tot gevolg.
- ◆ Probeer nooit niet-oplaadbare accu's op te laden.
- ◆ Laat defecte snoeren direct vervangen.
- ◆ Stel de lader niet bloot aan water.
- ◆ Maak de lader niet open.
- ◆ Steek niet met een scherp voorwerp in de lader.
- ◆ Plaats de lader in een goed geventileerde ruimte, wanneer u een accu oplaadt.

Symbolen op de lader

Uw lader is voorzien van de volgende symbolen:



De lader is uitsluitend bestemd voor gebruik binnenshuis.



Lees de instructiehandleiding voordat u de lader in gebruik neemt.

Elektrische veiligheid



De lader is dubbel geïsoleerd, en daarom is een aardedraad niet nodig. Controleer altijd dat de netspanning overeenkomt met de waarde op het typeplaatje. Probeer nooit de lader te voorzien van een normale netstekker.

- ◆ Als het netsnoer is beschadigd, moet het door de fabrikant of door een geautoriseerd BLACK+DECKER-servicecentrum worden vervangen, zodat gevaarlijke situaties worden voorkomen.

Functies

Dit apparaat heeft enkele van de volgende functies of allemaal.

1. Aan/Uit-schakelaar
2. Vergrendelknop Uit-stand
3. Hoofdhandgreep
4. Zaagkop
5. Tandwielkap
6. Zwaard

7. Ketting
8. Beschermkap
9. Smeerolierereservoir
10. Verlengstuk
11. Accu

Afb. A

12. Lader

Montage

Waarschuwing! Verwijder de accu uit het gereedschap voordat u met de montage begint.

De accu plaatsen en verwijderen (afb. B)

- ◆ Plaats de accu (11) door deze tegenover het vak op het gereedschap te houden. Schuif de accu in het vak en duw tot de accu op z'n plaats klikt.
- ◆ Wilt u de accu verwijderen, druk dan op de vrijgaveknop (13) en trek tegelijkertijd de accu uit het accuvak.

Waarschuwing! Teneinde het apparaat niet onbedoeld in werking te stellen, moet u ervoor zorgen dat de accu is verwijderd en de beschermkap zich op de zaag bevindt voordat de volgende handelingen worden uitgevoerd. Als u dat niet doet, kan dat tot ernstig letsel leiden.

De zaagkop monteren (afb. C)

Als u de zaag zonder verlengstuk wilt gebruiken, kunt u de zaagkop rechtstreeks aan de handgreep bevestigen.

- ◆ Plaats de groef aan de buitenzijde van het koppelstuk van de handgreep (3) tegenover de uitstekende rand aan de binnenzijde van het koppelstuk van de zaagkop (4). Duw de zaagkop (4) op de handgreep (3).
- ◆ Schuif de opsluitring (14) naar beneden en draai de ring rechtsom stevig vast.

Waarschuwing! Controleer de verbindingen regelmatig zodat u er zeker van bent dat ze stevig vastzitten.

Het verlengstuk monteren (afb. D)

U kunt het bereik vergroten door het verlengstuk (10) te bevestigen tussen de zaagkop (4) en de handgreep (3).

- ◆ Plaats de groef aan de buitenzijde van het koppelstuk van de handgreep (3) tegenover de uitstekende rand aan de binnenzijde van het koppelstuk van het verlengstuk (10).
- ◆ Duw het verlengstuk (10) op de handgreep (3).
- ◆ Schuif de opsluitring (15) naar beneden en draai de ring rechtsom stevig vast.
- ◆ Plaats de groef aan de buitenzijde van het koppelstuk van het verlengstuk (10) tegenover de uitstekende rand aan de binnenzijde van het koppelstuk van de zaagkop (4).
- ◆ Druk de zaagkop (4) op het verlengstuk (10).
- ◆ Schuif de opsluitring (14) naar beneden en draai de ring rechtsom stevig vast.

Waarschuwing! Controleer de verbindingen regelmatig zodat u er zeker van bent dat ze stevig vastzitten.

De zaagkop verwijderen (afb. C en D)

Als het verlengstuk (10) is gemonteerd, moet u eerst de zaagkop verwijderen.

- ◆ U kunt de zaagkop (4) verwijderen door de handgreep (3) op de grond te leggen, de opsluitring (14) los te maken en de zaagkop los te nemen.

Gebruik van het apparaat

Waarschuwing! Laat het gereedschap op zijn eigen snelheid werken. Overbelast het gereedschap niet.

De accu opladen - Afbeelding A

De accu moet vóór het eerste gebruik worden opgeladen, en ook zodra de accu niet meer voldoende vermogen levert voor taken die eerst gemakkelijk konden worden uitgevoerd. Tijdens het opladen kan de accu warm worden. Dit is normaal en duidt niet op een probleem.

Waarschuwing! Laad de accu niet op bij een omgevingstemperatuur lager dan 10 °C of hoger dan 40 °C. De aanbevolen laadtemperatuur ligt op ongeveer 24 °C.

Opmerking: De lader functioneert niet als de temperatuur van de accu lager is dan ongeveer 10 °C of hoger dan 40 °C.

Laat de accu in dat geval in de lader zitten. De lader wordt automatisch ingeschakeld wanneer de accu de juiste temperatuur heeft.

- ◆ Neem de accu (11), als u deze wilt opladen, uit het gereedschap en plaats de accu in de lader (12). De accu past maar op één manier in de lader. Oefen er geen kracht op uit. Controleer dat de accu goed in de lader is geplaatst.
- ◆ Steek de stekker van de lader in een stopcontact.
- ◆ Het indicatielampje van de lader (24) blijft (langzaam) groen knipperen.

Wanneer het indicatielampje (24) continu groen brandt, is de accu volledig opgeladen. De accu kan voor opbepaalde tijd in de lader blijven, terwijl de LED brandt. Het lampje gaat groen knipperen (opladen), omdat de accu door de lader af en toe wordt bijgeladen. Het indicatielampje (24) blijft branden zolang de accu zich op de lader bevindt en de lader is aangesloten op het stopcontact.

- ◆ Laad lege accu's binnen 1 week op. Als u accu's leeg bewaart, loopt de levensduur van de accu's aanzienlijk terug.

De accu in de lader laten zitten

U kunt de accu voor onbepaalde tijd in de lader laten zitten terwijl de LED brandt. De lader houdt de accu vers en volledig opgeladen.

Diagnose van de accu door de lader

Als de lader waarneemt dat de accu bijna leeg is of beschadigd is, gaat het indicatielampje van de lader (24) snel rood knipperen. Ga als volgt

te werk:

- ◆ Plaats de accu (11) opnieuw.
- ◆ Controleer, als de indicatielampjes voor het laden snel rood blijven knipperen, met een andere accu of het laadproces wel goed verloopt.
- ◆ Als de andere accu wel goed laadt, is de oorspronkelijke accu kapot en kunt u deze het beste terugbrengen naar een servicecentrum, waar de accu kan worden gerecycled.
- ◆ Als bij de nieuwe accu het lampje ook snel knippert, laat de lader dan testen in een geautoriseerd servicecentrum.

Opmerking: Het kan soms wel 60 minuten duren voordat kan worden vastgesteld dat de accu niet goed functioneert. Als de accu te heet is of te koud is, knippert het LED-lampje afwisselend snel en langzaam rood.

In- en uitschakelen (afb. E)

Om veiligheidsredenen is dit gereedschap voorzien van een dubbel schakelaarsysteem. Hierdoor wordt onbedoeld inschakelen van het gereedschap voorkomen.

Inschakelen

- ◆ Duw de knop voor vergrendeling in de uit-stand (2) met uw duim naar achteren en knijp tegelijkertijd de aan/uitschakelaar (1) in.
- ◆ Laat de knop voor vergrendeling in de uit-stand (2) los.

Uitschakelen

- ◆ Laat de aan/uitschakelaar (1) los.

Waarschuwing! Probeer nooit een schakelaar in de ingeschakelde stand te vergrendelen.

Snoeien (afb. F)

- ◆ Let erop dat u pas een zaagsnede moet gaan maken wanneer het gereedschap op volle snelheid draait.
- ◆ Houd het gereedschap stevig op zijn plaats zodat het niet kan terugslaan of zijwaarts bewegen. Leid het gereedschap door de tak door lichte druk uit te oefenen. Wanneer u zware takken gaat zagen, kan een onvolledige zaagsnede versplintering en beschadiging van de boom tot gevolg hebben. Ga daarom als volgt te werk:
 - ◆ Maak de eerste zaagsnede 15 cm van de stam van de boom aan de onderzijde van de tak. Gebruik de bovenzijde van het zwaard (6) voor deze zaagsnede.
 - ◆ Zaag voor een derde gedeelte door de tak. Zaag vervolgens vanaf de bovenzijde.

Reiniging, onderhoud en opbergen

Uw BLACK+DECKER-machine/-gereedschap (met netsnoer/snoerloos) is ontworpen om gedurende lange tijd te functioneren met een minimum aan onderhoud. Het continu naar tevredenheid functioneren hangt af van de juiste zorg voor het gereedschap en regelmatig schoonmaken.

Waarschuwing! Ga altijd als volgt te werk voor u onderhoud aan het gereedschap (met snoer/snoerloos) uitvoert:

- ◆ Schakel het gereedschap/apparaat uit en trek de stekker uit het stopcontact.
- ◆ Of schakel het gereedschap/apparaat uit en haal de accu eruit, als het een aparte accu heeft.
- ◆ Maak de accu geheel leeg, als de accu een integraal onderdeel van het gereedschap is en schakel het apparaat vervolgens uit.
- ◆ Neem de lader uit het stopcontact voordat u deze schoonmaakt. Behalve regelmatige reiniging vraagt de lader geen onderhoud.

Reinig regelmatig de ventilatieopeningen van het gereedschap/apparaat/lader met een zachte borstel of droge doek.

Reinig de behuizing van de motor regelmatig met een vochtige doek. Gebruik niet een schurend schoonmaakmiddel of een schoonmaakmiddel op basis van een oplosmiddel.

Open regelmatig de spanknop en verwijder stof eruit door erop te tikken (wanneer een spanknop is gemonteerd).

Na gebruik en voordat het gereedschap wordt opgeborgen

- ◆ Reinig de ventilatieopeningen regelmatig met een schone, droge verfkwas.
- ◆ Reinig het gereedschap uitsluitend met een milde zeepoplossing en een vochtige doek. Laat nooit vloeistof in het apparaat dringen en dompel de onderdelen van het apparaat nooit onder in een vloeistof.
- ◆ Verwijder vuil met een harde borstel.
- ◆ Smeer de ketting met olie.

De zaagketting plaatsen en verwijderen (afb. G en H)

Waarschuwing! Draag altijd veiligheidshandschoenen bij het verwijderen of monteren van de zaagketting. De ketting van de zaag is scherp en kan u ook verwonden wanneer het gereedschap is uitgeschakeld

- ◆ Leg het gereedschap op een stevige en stabiele ondergrond.
- ◆ Draai de schroeven (16) los met de bijgeleverde inbussleutel. Verwijder de schroeven.
- ◆ Verwijder de tandwielkap (5) en de zwaardklem (17).
- ◆ Draai de schroef (18) naar links zodat het zwaard (6) terugwijkt en de spanning op de ketting (7) van de zaag afneemt. Verwijder de oude zaagketting van het tandwiel (19) en het zwaard (6).

- ◆ Plaats de nieuwe zaagketting in de groef van het zwaard en rond het tandwiel. Controleer dat de tanden in de juiste richting wijzen, de pijl op de ketting van de zaag moet in dezelfde richting wijzen als de pijl op de behuizing.
- ◆ Controleer dat de gleuf (20) in het zwaard over de locatiebouten (21) valt en dat het gat (22) onder de gleuf zich over de stelbout (23) bevindt.
- ◆ Plaats de tandwielkap (5) en de zwaardklem (17) terug, evenals de schroeven (16).
- ◆ Draai de schroeven (16) vast met de bijgeleverde inbussleutel.
- ◆ U kunt de kettingspanning op de hierna beschreven wijze afstellen.

Teneinde een voortdurend veilige werking te waarborgen, dienen de ketting en het zwaard uitsluitend door originele onderdelen van Black & Decker te worden vervangen. Het betreft onderdeelnummer A6158 voor een vervangende ketting en onderdeelnummer 623381-00 voor een vervangend zwaard.

De kettingspanning controleren en afstellen (afb. G)

- ◆ Controleer de kettingspanning. De spanning is juist wanneer de zaagketting (7) terugschiet als deze 3 mm van het zwaard wordt weggetrokken, waarbij met de middelvinger en de duim lichte druk wordt uitgeoefend. De zaagketting mag aan de onderzijde van het kettingzwaard (6) en de ketting (7) 'niet doorzakken'.

Stel de spanning als volgt af:

- ◆ Draai de schroeven (16) los.
- ◆ Draai de schroef (18) naar links.

Waarschuwing! Stel de ketting niet te strak af. Dit leidt tot overmatige slijtage en beperkt de levensduur van het zwaard en de ketting.

- ◆ Zoda de kettingspanning juist is afgesteld, kunnen de schroeven (16) worden aangedraaid.

Waarschuwing! Controleer tijdens de eerste twee uren van gebruik regelmatig de kettingspanning, aangezien nieuwe zaagkettingen meer rek vertonen.

Ketting oliën

De zaagketting moet vóór elk gebruik en na reiniging uitsluitend worden geolied met olie van de juiste kwaliteitsklasse (cat. nr. A6027).

- ◆ Olie de hele ketting (7) gelijkmatig met behulp van de applicator (9).

Opslag

Houd de accu op de lader aangesloten wanneer het gereedschap enkele maanden niet wordt gebruikt.

Ga anders als volgt te werk:

- ◆ Laad de accu volledig op.
- ◆ Verwijder de accu uit het gereedschap.

- ◆ Berg het gereedschap en de accu op een veilige en droge plaats op.
- ◆ De temperatuur in de bergruimte moet altijd tussen +10°C en +40°C zijn. Plaats de accu op een vlakke ondergrond.
- ◆ Laad de accu weer volledig op wanneer u het gereedschap weer gebruikt na langdurige opslag.

Het milieu beschermen



Gescheiden afvalinzameling. Producten en accu's waarop dit symbool is aangebracht, mogen niet bij het normale huishoudafval worden weggegooid.

Producten en accu's bevatten materialen die kunnen worden teruggewonnen of gerecycled en dat doet de vraag naar grondstoffen .

Recycle elektrische producten en accu's volgens de ter plaatse geldende bepalingen. Nadere informatie is beschikbaar op www.2helpU.com

Technische gegevens

		GPC1820L H1	PS1820ST1 H1
Spanning	V _{DC}	18	18
Kettingsnelheid (onbelast)	min ⁻¹	190	190
Maximale lengte zaagsnede	cm	17	17
Capaciteit boorkop	mm	13	13
Gewicht	kg	3,5	3,5

Accu		BL2018	BL2018ST
Spanning	V _{DC}	18	18
Capaciteit	Ah	2	2
Type		Li-Ion	Li-Ion

Lader		905902** (Type 1)	906349**
Ingangsspanning	V _{DC}	100 - 240	200-240
Uitgangsspanning	Ah	8 - 20	8-20
Uitgangsstroom	mA	400	1000

Geluidsdrukkniveau, volgens EN 60745:	
Geluidsdruk (L _{pa})	78 dB(A), meetonzekerheid (K) 3 dB(A)
Geluidsvermogen (L _{wa})	98 dB(A), meetonzekerheid (K) 3 dB(A)

Totale trillingswaarden (som triaxvector) volgens EN 60745:	
Onlangs geveld zacht hout zagen (a _{rw})	< 2,5 m/s ² Onzekerheid (K) 1,5 m/s ²

EG conformiteitsverklaring
RICHTLIJN VOOR MACHINES



GPC1820L, PS1820ST1 - Snoerloze takkenzaag

Black & Decker verklaart dat deze producten, die zijn beschreven onder 'Technische gegevens', voldoen aan: 2006/42/EG, EN 60745-1:2009 +A1:2010, EN 60745-2-15:2009 +A1:2010

Deze producten voldoen tevens aan richtlijn 2014/30/EU en 2011/65/EU. Neem voor meer informatie contact op met Black & Decker op het volgende adres of raadpleeg de achterzijde van de handleiding.

De ondergetekende is verantwoordelijk voor de samenstelling van het technische bestand en legt deze verklaring af namens Black & Decker.

R. Laverick
Engineering Manager
Black & Decker Europe, 210 Bath Road, Slough,
Berkshire, SL1 3YD
Verenigd Koninkrijk
21/11/2016

Garantie

Black & Decker heeft vertrouwen in zijn producten en biedt consumenten een garantie van 24 maanden vanaf de aankoopdatum. Deze garantie vormt een aanvulling op uw wettelijke rechten en beperken deze niet. De garantie is geldig op het grondgebied van de Lidstaten van de Europese Unie en de Europese Vrijhandelszone.

Voor een garantie-aanspraak moet uw aanspraak in overeenstemming zijn met de Voorwaarden en Conditie van Black&Decker en moet u een bewijs van aankoop overleggen aan de verkoper of aan een geautoriseerde reparatiemonteur.

Voorwaarden en condities van de 2-jarige garantie van Black&Decker en het adres van de vestiging van het geautoriseerde reparatiecentrum bij u in de buurt, kunt u vinden op internet op www.2helpU.com, of door contact op te nemen met het Black & Decker-kantoor ter plaatse, op het adres dat in deze handleiding wordt vermeld.

Bezoek onze website www.blackanddecker.nl, waar u uw nieuwe Black & Decker-product kunt registreren en informatie kunt verkrijgen over nieuwe producten en speciale aanbiedingen.

Uso previsto

Las podadoras sin cable GPC1820L y PS1820ST1 de BLACK+DECKER han sido diseñadas para podar árboles. Esta herramienta ha sido concebida únicamente para uso doméstico.

El cargador BLACK+DECKER ha sido diseñado para cargar las baterías BLACK+DECKER del tipo suministrado con esta herramienta.

Instrucciones de seguridad

Advertencias de seguridad generales para herramientas eléctricas



¡Advertencia! Lea todas las advertencias de seguridad y todas las instrucciones.

En caso de no atenerse a las siguientes advertencias e instrucciones de seguridad, podría producirse una descarga eléctrica, incendio o lesión grave.

Guarde todas las advertencias e instrucciones para futuras consultas. El término "herramienta eléctrica" empleado en las advertencias a continuación hace referencia a la herramienta eléctrica con alimentación de red (con cable) o alimentada por batería (sin cable).

1. Seguridad del área de trabajo

- Mantenga limpia y bien iluminada el área de trabajo.** Las áreas en desorden u oscuras pueden provocar accidentes.
- No utilice herramientas eléctricas en entornos con peligro de explosión, como aquellos en los que haya líquidos, gases o polvos inflamables.** Las herramientas eléctricas originan chispas que pueden inflamar el polvo o los gases.
- Mantenga alejados a los niños y otras personas del área de trabajo al emplear la herramienta eléctrica.** Las distracciones pueden ocasionar que pierda el control.

2. Seguridad eléctrica

- El enchufe de la herramienta eléctrica debe corresponder a la toma de corriente. No modifique nunca el enchufe de ninguna forma. No utilice ningún enchufe adaptador con las herramientas eléctricas conectadas a tierra.** Los enchufes no modificados y las tomas de corriente correspondientes reducirán el riesgo de descarga eléctrica.
- Evite que su cuerpo toque partes conectadas o puestas a tierra tales como tuberías, radiadores, cocinas y refrigeradores.** Existe un mayor riesgo de descarga eléctrica si su propio cuerpo está conectado a tierra.

- No exponga las herramientas eléctricas a la lluvia y a la humedad.** Si entra agua a una herramienta eléctrica aumentará el riesgo de descarga eléctrica.
- Cuide el cable de alimentación. No use nunca el cable para transportar, tirar de la herramienta eléctrica o desenchufarla. Mantenga el cable alejado del calor, aceite, bordes afilados y piezas en movimiento.** Los cables dañados o enredados aumentan el riesgo de descarga eléctrica.
- Al trabajar con la herramienta eléctrica en la intemperie utilice solamente cables de prolongación homologados para su uso en exteriores.** La utilización de un cable adecuado para el uso en exteriores reduce el riesgo de descarga eléctrica.
- Si la utilización de una herramienta eléctrica en un lugar húmedo es inevitable, utilice una fuente protegida con un dispositivo diferencial residual (DDR).** El uso de un dispositivo diferencial residual reduce el riesgo de descarga eléctrica.

3. Seguridad personal

- Esté atento a lo que hace y emplee la herramienta eléctrica con prudencia. No maneje una herramienta eléctrica cuando esté cansado o bajo los efectos de drogas, medicamentos o alcohol.** Un momento de falta de atención cuando se manejan las herramientas eléctricas puede ocasionar lesiones personales graves.
- Utilice un equipo de protección personal. Utilice siempre protección ocular.** El uso del equipo protector como mascarillas antipolvo, calzado antideslizante, casco o protección auditiva para condiciones apropiadas reducirá las lesiones personales.
- Impida que la herramienta se ponga en marcha accidentalmente. Asegúrese de que el interruptor se encuentre en la posición de apagado antes de conectar la herramienta a la fuente de alimentación o a la batería, o de coger o transportar la herramienta.** Transportar herramientas eléctricas con el dedo puesto en el interruptor o herramientas eléctricas activadoras que tengan el interruptor encendido puede provocar accidentes.
- Retire las herramientas de ajuste o llaves fijas antes de encender la herramienta eléctrica.** Dejar una llave inglesa u otra llave puesta en una pieza en movimiento de la herramienta eléctrica puede ocasionar lesiones personales.
- Sea precavido. Mantenga un equilibrio adecuado y la estabilidad constantemente.** Esto permite un mejor control de la herramienta eléctrica en situaciones inesperadas.

- f. **Lleve puesta una vestimenta de trabajo adecuada. No se ponga ropa suelta o joyas. Mantenga el cabello, la ropa y los guantes alejados de las piezas en movimiento.** La ropa suelta, las joyas y el pelo largo pueden quedar atrapados en las piezas en movimiento.
 - g. **Siempre que sea posible utilizar unos equipos de aspiración o captación de polvo, asegúrese de que estén montados y se utilicen correctamente.** El uso de equipo de recogida de polvo puede reducir los riesgos relacionados con el polvo.
4. **Uso y cuidado de herramientas eléctricas**
 - a. **No sobrecargue la herramienta eléctrica. Use la herramienta eléctrica correcta para su trabajo.** La herramienta eléctrica correcta funcionará mejor y con mayor seguridad si se utiliza de acuerdo con sus características técnicas.
 - b. **No utilice la herramienta eléctrica si no se puede encender y apagar con el interruptor.** Toda herramienta eléctrica que no pueda controlarse con el interruptor es peligrosa y debe ser reparada.
 - c. **Desconecte el enchufe de la herramienta eléctrica de la fuente de alimentación y/o la batería antes de realizar cualquier ajuste, cambiar accesorios o guardar la herramienta.** Dichas medidas de seguridad preventivas reducen el riesgo de poner en marcha accidentalmente la herramienta eléctrica.
 - d. **Guarde las herramientas eléctricas fuera del alcance de los niños y no permita que la utilicen las personas no familiarizadas con su uso o con estas instrucciones.** Las herramientas eléctricas son peligrosas en manos de personas no capacitadas.
 - e. **Realice el mantenimiento de sus herramientas eléctricas. Controle si funcionan correctamente, sin atascarse, las partes móviles de la herramienta eléctrica, y si existen partes rotas o deterioradas que pudieran afectar al funcionamiento de la herramienta. Si la herramienta eléctrica está dañada, llévela para que sea reparada antes de utilizarla.** Se ocasionan muchos accidentes por el mal mantenimiento de las herramientas eléctricas.
 - f. **Mantenga las herramientas de corte limpias y afiladas.** Hay menos probabilidad de que las herramientas de cortar con bordes afilados se bloqueen, y son más fáciles de controlar.
 - g. **Utilice la herramienta eléctrica, los accesorios, los útiles de la herramienta, etc. de acuerdo con estas instrucciones, y tenga en cuenta las condiciones de trabajo y la tarea que va a realizar.** El uso de la herramienta eléctrica para operaciones que no sean las previstas puede ocasionar una situación peligrosa.
 5. **Uso y cuidado de la herramienta de baterías**
 - a. **Recárguela solo con el cargador especificado por el fabricante.** Un cargador adecuado para un tipo de paquete de baterías puede provocar riesgos de incendio al ser utilizado con otro paquete de baterías.
 - b. **Utilice las herramientas eléctricas solamente con las baterías recomendadas.** El uso de otras baterías puede suponer un riesgo de incendio y lesiones.
 - c. **Cuando no utilice la batería, manténgala alejada de objetos de metal como clips para papel, monedas, llaves, clavos, tornillos y otros pequeños objetos metálicos que pueden realizar una conexión de un terminal a otro.** Si se produce un cortocircuito entre los terminales de la batería, pueden ocasionarse incendios o quemaduras.
 - d. **En caso de uso abusivo puede salir líquido de la batería, evite el contacto. Si se produce un contacto accidental, lave con agua. Si el líquido se pone en contacto con los ojos, acuda además a un médico.** El líquido expulsado de la batería podrá provocar irritaciones o quemaduras.
 6. **Reparaciones**
 - a. **Esta herramienta eléctrica solo la puede reparar personal técnico autorizado que emplee exclusivamente piezas de repuesto originales.** Así se asegurará que se mantenga la seguridad de la herramienta eléctrica.

Advertencias de seguridad adicionales para herramientas eléctricas



¡Advertencia! Advertencias de seguridad adicionales para taladros y destornilladores inalámbricos.

- ◆ **Lleve protección acústica al realizar operaciones de perforación de impacto.** La exposición al ruido puede provocar pérdida de audición.
- ◆ **Utilice las empuñaduras auxiliares suministradas con la herramienta.** La pérdida de control puede provocar lesiones personales.
- ◆ **Sujete la herramienta eléctrica por la superficie de agarre aislada cuando realice una operación en la que el accesorio de corte pueda entrar en contacto con cableado oculto.** El contacto de los accesorios de corte con un cable "cargado", puede cargar las partes metálicas expuestas de la herramienta eléctrica y producir una descarga eléctrica al operador.
- ◆ **Sujete la herramienta eléctrica por la superficie protegida cuando realice una operación en la que el accesorio de corte pueda entrar en contacto con cableado oculto.** El contacto de los elementos de

sujeción con un cable "cargado" puede cargar las partes metálicas expuestas de la herramienta eléctrica y producir una descarga eléctrica al operador.

- ◆ **Utilice un tornillo de banco u otro método práctico para asegurar y sujetar la pieza de trabajo a una plataforma estable.** Si sostiene la pieza de trabajo con las manos o con su cuerpo, esta estará inestable y podrá hacer que usted pierda el control.
- ◆ Antes de perforar paredes, suelos o techos, compruebe la ubicación de cables y tuberías.
- ◆ Evite tocar la punta de una broca inmediatamente después de taladrar, ya que puede estar caliente.
- ◆ En este manual se describe el uso previsto. La utilización de accesorios o dispositivos auxiliares o la realización de operaciones distintas a las recomendadas en este manual de instrucciones para esta herramienta puede presentar riesgo de lesiones personales y/o de daños materiales.

Seguridad de otras personas

- ◆ Ninguna persona (incluidos los niños a partir de 8 años de edad) con capacidades físicas, sensoriales o mentales disminuidas, o que carezca de experiencia y conocimientos, debe utilizar este aparato, salvo que haya recibido supervisión o formación con respecto al uso del aparato de una forma segura y que comprenda los peligros que entraña. Los niños no deben jugar con el aparato. Ningún niño deberá realizar las tareas de limpieza y mantenimiento, salvo que lo hagan bajo supervisión.
- ◆ Los niños deben vigilarse en todo momento para garantizar que el aparato no se toma como elemento de juego.

Riesgos residuales

El uso de esta herramienta puede producir riesgos residuales adicionales no incluidos en las advertencias de seguridad adjuntas. Estos riesgos se pueden generar por un uso incorrecto, demasiado prolongado, etc.

El cumplimiento de las normas de seguridad correspondientes y el uso de dispositivos de seguridad no evitan ciertos riesgos residuales. Dichos riesgos incluyen:

- ◆ Lesiones producidas por el contacto con piezas móviles o giratorias.
- ◆ Lesiones producidas al cambiar cualquier pieza, cuchilla o accesorio.
- ◆ Lesiones producidas al usar una herramienta por un tiempo demasiado prolongado. Si utiliza una herramienta durante períodos de tiempo demasiado prolongados, asegúrese de realizar pausas con frecuencia.
- ◆ Deterioro auditivo.
- ◆ Riesgos para la salud producidos al respirar el polvo que se genera cuando se utiliza la herramienta (ejemplo: en los trabajos con madera, especialmente si son de roble, haya y tableros de densidad mediana).

Vibración

Los valores de emisión de vibraciones declarados en el apartado de características técnicas y en la declaración de conformidad se han calculado según un método de prueba estándar proporcionado por la norma EN 60745 y podrán utilizarse para comparar una herramienta con otra. El valor de emisión de vibraciones especificado también puede utilizarse en una evaluación preliminar de la exposición.

¡Advertencia! El valor de emisión de vibraciones durante el funcionamiento real de la herramienta eléctrica puede diferir del valor declarado en función de cómo se utilice dicha herramienta. El nivel de las vibraciones puede aumentar por encima del nivel declarado.

Al evaluar la exposición a las vibraciones con el fin de determinar las medidas de seguridad que exige la directiva 2002/44/CE para proteger a las personas que utilizan periódicamente herramientas eléctricas en el entorno laboral, deberá tenerse en cuenta una estimación de la exposición a las vibraciones, las condiciones de uso reales y el modo de empleo de la herramienta, así como los pasos del ciclo operativo como, por ejemplo, el número de veces que la herramienta se apaga, el tiempo que está parada y el tiempo de activación.

Podar

Antes de intentar podar un árbol, asegúrese de que no existen ordenanzas o normas municipales que prohíban o controlen la tala del árbol.

- ◆ Tenga en cuenta la dirección en la que pueden caer las ramas. Considere todas las condiciones que puedan influir en la dirección de caída, incluidas las siguientes:
 - ◆ la longitud y el peso de la rama que va a cortar;
 - ◆ la dirección de caída prevista;
 - ◆ cualquier estructura de rama pesada o deteriorada;
 - ◆ la presencia de árboles circundantes y obstáculos;
 - ◆ incluidos los cables aéreos;
 - ◆ las ramas entrelazadas;
 - ◆ la velocidad y dirección del viento.
- ◆ Tenga en cuenta el acceso a la rama del árbol.

Es probable que las ramas oscilen hacia el tronco del árbol.

Además del usuario, cualquier persona, edificio u objeto que se encuentre debajo de la rama corre el riesgo de resultar golpeado por esta al caer.

Etiquetas en la herramienta

Junto con el código de la fecha, en la herramienta aparecen los siguientes símbolos:



¡Advertencia! Para reducir el riesgo de lesiones, el usuario debe leer el manual de instrucciones.



No exponga la herramienta a la lluvia ni a la humedad.



Tenga cuidado con los objetos que puedan caerse. Mantenga alejadas a otras personas.



Peligro de electrocución. Manténgase a una distancia mínima de 10 m de las líneas de teléfono o de tendido eléctrico.



Lleve siempre protección para la cabeza y los ojos.



Lleve calzado de seguridad antideslizante.



A fin de garantizar un funcionamiento seguro continuo, compruebe la tensión de la cadena siguiendo el procedimiento que se describe en este manual cada 10 minutos de uso y ajústela según sea necesario para que disponga de un huelgo de 3 mm. Lubrique la cadena al cabo de cada 10 minutos de uso.



Dirección de rotación de la cadena.



¡Advertencia! No toque la cadena en el punto de eyección de las astillas.

Instrucciones de seguridad adicionales para baterías y cargadores

Baterías

- ◆ Jamás trate de abrir las baterías por ningún motivo.
- ◆ No exponga la batería al agua.
- ◆ No guarde la batería en lugares en los que la temperatura pueda superar los 40 °C.
- ◆ Realice la carga únicamente a una temperatura ambiente de entre 10 °C y 40 °C.
- ◆ Utilice únicamente el cargador suministrado con la herramienta para realizar la carga.
- ◆ Para desechar las baterías, siga las instrucciones facilitadas en la sección "Protección del medioambiente".
- ◆ No dañe ni deforme el paquete de baterías mediante perforaciones o golpes pues pueden producirse riesgos de lesiones o incendio.
- ◆ No cargue baterías dañadas.
- ◆ En condiciones extremas, pueden producirse fugas del líquido de la batería. Si nota que se producen fugas en las baterías, limpie con cuidado el líquido con un paño. Evite el contacto con la piel.
- ◆ En caso de contacto con la piel o los ojos, siga las instrucciones facilitadas a continuación.

¡Advertencia! El líquido de la batería puede provocar lesiones o daños materiales. En caso de contacto con la piel, lave la zona afectada con agua inmediatamente. Si se produce enrojecimiento, dolor o irritación, solicite atención médica. En caso de contacto con los ojos, lave la zona inmediatamente con agua limpia y solicite atención médica.

Cargadores

El cargador ha sido diseñado para un voltaje específico. Compruebe siempre que el voltaje de la red eléctrica corresponda al valor indicado en la placa de características.

- ◆ Debe utilizar solo el cargador BLACK+DECKER para cargar la batería en la herramienta con la que se suministró. Otras baterías pueden explotar y provocar lesiones y daños materiales.
- ◆ Nunca intente cargar baterías no recargables.
- ◆ Sustituya los cables defectuosos inmediatamente.
- ◆ No exponga el cargador al agua.
- ◆ No abra el cargador.
- ◆ No aplique ningún dispositivo para medir la resistencia del cargador.
- ◆ El cargador debe colocarse en una zona bien ventilada durante la carga.

Símbolos del cargador

El cargador muestra los siguientes símbolos:



El cargador ha sido concebido para utilizarse únicamente en un lugar interior.



Lea el manual de instrucciones antes de usar el producto.

Seguridad eléctrica



El cargador presenta un aislamiento doble; por lo tanto, no se requiere conexión a tierra. Compruebe siempre que el voltaje de la red eléctrica corresponda al valor indicado en la placa de características. No intente sustituir el cargador por un enchufe convencional para la red eléctrica.

- ◆ Si se daña el cable de alimentación, el fabricante o un centro de servicio técnico autorizado de BLACK+DECKER deberán sustituirlo para evitar riesgos.

Características

Este aparato incluye una o más de las siguientes características.

1. Interruptor de encendido/apagado
2. Botón de desbloqueo
3. Mango principal
4. Cabezal de la sierra

5. Cubierta de la rueda dentada
6. Barra guía
7. Cadena
8. Funda de la cadena
9. Botella de lubricación
10. Tubo de extensión
11. Batería

Fig. A

12. Cargador

Ensamblaje

¡Advertencia! Antes de proceder al montaje, extraiga la batería de la herramienta.

Inserción y extracción de la batería (Fig. B)

- ◆ Para insertar la batería (11), alínela con el receptáculo de la herramienta. Deslice la batería dentro del receptáculo y empújela hasta que encaje en su sitio.
- ◆ Para extraer la batería, pulse los botones de liberación (13) a la vez que tira de la batería para extraerla del receptáculo.

¡Advertencia! A fin de evitar que se ponga en funcionamiento accidentalmente, asegúrese de que la batería no esté instalada y que la funda de la cadena esté colocada en la cadena de la sierra antes de llevar a cabo cualquiera de las operaciones siguientes. No hacerlo podría provocar graves lesiones personales.

Colocación de la cabeza de la sierra (Fig. C)

La cabeza de la sierra puede colocarse directamente en la empuñadura para obtener un alcance estándar.

- ◆ Haga coincidir la ranura del exterior del extremo del acoplamiento de la empuñadura (3) con la lengüeta del interior del extremo del acoplamiento de la cabeza de la sierra (4). Empuje la cabeza de la sierra (4) hacia la empuñadura (3).
- ◆ Deslice el collarín (14) hacia abajo y gírelo hacia la derecha hasta que quede totalmente apretado.

¡Advertencia! Compruebe periódicamente las conexiones para asegurarse de que se encuentren firmemente apretadas.

Extensión de la cabeza de la sierra (Fig. D)

El alcance máximo puede obtenerse colocando el tubo de extensión (10) entre la cabeza de la sierra (4) y la empuñadura (3).

- ◆ Haga coincidir la ranura del exterior del extremo del acoplamiento de la empuñadura (3) con la lengüeta del interior del extremo del acoplamiento del tubo de extensión (10).
- ◆ Empuje el tubo de extensión (10) hacia la empuñadura (3).

- ◆ Deslice el collarín (15) hacia abajo y gírelo hacia la derecha hasta que quede totalmente apretado.
- ◆ Haga coincidir la ranura del exterior del extremo del acoplamiento del tubo de extensión (10) con la lengüeta del interior del extremo del acoplamiento de la cabeza de la sierra (4).
- ◆ Empuje la cabeza de la sierra (4) hacia el tubo de extensión (10).
- ◆ Deslice el collarín (14) hacia abajo y gírelo hacia la derecha hasta que quede totalmente apretado.

¡Advertencia! Compruebe periódicamente las conexiones para asegurarse de que se encuentren firmemente apretadas.

Extracción de la cabeza de la sierra (Fig. C y D)

Si el tubo de extensión (10) se encuentra instalado, será necesario extraer la cabeza de la sierra en primer lugar.

- ◆ Para extraer la cabeza de la sierra (4), apoye la empuñadura (3) en el suelo, afloje el collarín (14) y extraiga la cabeza de la sierra.

Uso

¡Advertencia! Deje que la herramienta funcione a su ritmo. No la sobrecargue.

Carga de la batería - Figura A

Es necesario cargar la batería antes del primer uso y cada vez que note que no dispone de suficiente potencia para tareas que antes realizaba con facilidad. Es posible que la batería se caliente durante la carga; esto es normal y no denota ningún problema.

¡Advertencia! No cargue la batería si la temperatura ambiente es inferior a 10 °C o superior a 40 °C. La temperatura de carga recomendada es de aproximadamente 24 °C.

Nota: El cargador no cargará la batería si la temperatura de esta es inferior a 10 °C o superior a 40 °C aproximadamente.

Deje la batería en el cargador y este empezará a cargarla automáticamente cuando la temperatura de la batería aumente o disminuya.

- ◆ Para cargar la batería (11), extráigala de la herramienta e insértela en el cargador (12). La batería encaja en el cargador solo en un sentido. No la fuerce. Asegúrese de que la batería queda perfectamente encajada en el cargador.
- ◆ Enchufe el cargador y conéctelo a la red eléctrica.
- ◆ El indicador de carga (24) parpadeará en verde de forma continua (lentamente).

La carga habrá finalizado cuando el indicador de carga (24) se ilumine en verde de manera continua. El cargador y la batería pueden dejarse conectados en modo indefinido con el LED iluminado. El indicador LED pasará a parpadear en verde (estado de carga), ya que el cargador completa la carga

de la batería ocasionalmente. El indicador de carga (24) permanecerá encendido siempre que la batería esté conectada al cargador y este último permanezca enchufado.

- ◆ Cargue las baterías descargadas en el plazo de 1 semana. La duración de la batería disminuirá considerablemente si se guarda descargada.

Dejar la batería en el cargador

El cargador y la batería pueden permanecer conectados durante un periodo de tiempo indefinido con el indicador LED iluminado. El cargador mantendrá la batería fresca y totalmente cargada.

Diagnóstico del cargador

Si el cargador detecta que la batería dispone de poca energía o está dañada, el indicador de carga (24) parpadeará en rojo a gran velocidad. Proceder como sigue:

- ◆ Vuelva a insertar la batería (11).
- ◆ Si los indicadores de carga siguen parpadearando en rojo a gran velocidad, utilice otra batería para determinar si el proceso de carga se efectúa correctamente.
- ◆ Si la batería sustituida se carga correctamente, significa que la batería original es defectuosa, por tanto debe devolverla al centro de servicio para su reciclaje.
- ◆ Si la nueva batería da la misma indicación que la original, lleve a controlar el cargador a un centro de servicios autorizado.

Nota: puede llevar hasta 60 minutos determinar si la batería es defectuosa. Si la batería está demasiado caliente o demasiado fría, el indicador LED alternará parpadeos en rojo, rápidos y lentos, con un destello en cada rango de velocidad, y se repetirá la secuencia.

Encendido y apagado (Fig. E)

Por razones de seguridad, esta herramienta está equipada con un sistema de dos interruptores. Este sistema impide que la herramienta se ponga en marcha accidentalmente.

Encendido

- ◆ Pulse el botón de desbloqueo (2) hacia atrás usando el dedo pulgar y presione al mismo tiempo el botón de encendido/apagado (1).
- ◆ Suelte el botón de desbloqueo (2).

Apagado

- ◆ Suelte el interruptor de encendido/apagado (1).

¡Advertencia! No intente nunca trabar un interruptor en la posición de encendido.

Poda (Fig. F)

- ◆ Antes de efectuar un corte, asegúrese de que la herramienta esté funcionando a plena velocidad.
- ◆ Sujete la herramienta firmemente para evitar que rebote o se mueva hacia los costados. Ejercer una ligera presión para guiar la herramienta a través de la rama. Cuando corte ramas pesadas en las que un corte parcial pueda astillar y dañar el árbol, haga lo siguiente:
 - ◆ Realice el primer corte a 15 cm desde el tronco del árbol en la parte inferior de la rama. Utilice la parte superior de la barra guía (6) para efectuar este corte.
 - ◆ Corte un tercio del diámetro de la rama. A continuación, corte de arriba abajo.

Limpieza, mantenimiento y almacenamiento

Su aparato o herramienta con o sin cable de BLACK+DECKER ha sido diseñada para funcionar durante un largo periodo de tiempo con un mantenimiento mínimo. El funcionamiento satisfactorio y continuo depende del buen cuidado de la herramienta y de una limpieza frecuente.

¡Advertencia! Antes de realizar el mantenimiento de herramientas eléctricas con o sin cables:

- ◆ Apague y desenchufe el aparato o herramienta.
- ◆ O bien, apague y extraiga las pilas o la batería del aparato o herramienta, en caso de que disponga de una batería separada.
- ◆ O bien, deje que la batería se agote por completo si es integral y, a continuación, apague el aparato.
- ◆ Desenchufe el cargador antes de limpiarlo. El cargador no requiere ningún mantenimiento especial excepto la limpieza periódica.

Limpie periódicamente las ranuras de ventilación de la herramienta, aparato o cargador con un cepillo suave o un paño seco.

Limpie periódicamente la carcasa del motor con un paño húmedo. No utilice limpiadores abrasivos o a base de disolventes.

Abra regularmente el portabrocas y golpéelo suavemente para eliminar los restos de polvo que haya en su interior (si se encuentra colocado).

Después de su utilización y antes del almacenamiento

- ◆ Limpie periódicamente las ranuras de ventilación con un cepillo limpio y seco.
- ◆ Para limpiar la herramienta, utilice únicamente jabón suave y un paño húmedo. Evite que penetre líquido en el interior de la herramienta y nunca sumerja ninguna parte de esta en líquido.
- ◆ Extraiga los restos de suciedad con la ayuda de un cepillo de cerdas duras.
- ◆ Lubrique la cadena con aceite.

Instalación y extracción de la cadena de la sierra (Figs. G y H)

¡Advertencia! Utilice siempre guantes de protección cuando instale o retire la cadena de la sierra. Dicha pieza está afilada y puede provocar cortes cuando la herramienta no está en funcionamiento.

- ◆ Coloque la herramienta sobre una superficie sólida y estable.
- ◆ Afloje los tornillos (16) con la llave Allen suministrada. Extraiga los tornillos.
- ◆ Extraiga la cubierta de la rueda dentada (5) y la barra de mordaza (17).
- ◆ Gire el tornillo (18) en sentido contrario a las agujas del reloj para permitir el retroceso de la barra guía (6) y para reducir la tensión en la cadena de la sierra (7). Extraiga la cadena de la sierra usada de la rueda dentada (19) y la barra guía (6).
- ◆ Coloque la cadena nueva en la ranura de la barra guía y alrededor de la rueda dentada. Asegúrese de que los dientes estén orientados en la dirección correcta haciendo coincidir la flecha de la cadena con la flecha de la carcasa.
- ◆ Asegúrese de que la ranura (20) de la barra guía esté situada sobre los pasadores de posición (21) y que el orificio (22) ubicado bajo la ranura quede colocado sobre el pasador de ajuste (23).
- ◆ Vuelva a colocar la cubierta de la rueda dentada (5), la barra de mordaza (17) y los tornillos (16).
- ◆ Afloje los tornillos (16) con la llave Allen suministrada.
- ◆ Ajuste la tensión de la cadena tal como se describe a continuación.

A fin de garantizar un funcionamiento seguro continuo, la cadena y la barra guía deberán ser reemplazadas únicamente con piezas originales de Black & Decker. Número de cadena de repuesto, A6158; número de barra guía de repuesto 623381-00.

Comprobación y ajuste de la tensión de la cadena (Fig. G)

- ◆ Compruebe la tensión de la cadena de la sierra. La tensión es correcta cuando la cadena de la sierra (7) vuelve a su posición inicial después de separarla 3 mm de la barra de la cadena de la sierra al ejercer una ligera presión con los dedos medio y pulgar. No debe haber "comba" alguna entre la barra guía (6) y la cadena de la sierra (7) en la parte inferior.

Para ajustar la tensión:

- ◆ Afloje los tornillos (16).
- ◆ Gire el tornillo (18) en la dirección de las agujas del reloj.

¡Advertencia! No tense demasiado la cadena, ya que provocará un desgaste excesivo y se reducirá la vida útil de la barra y de la cadena.

- ◆ Una vez que la cadena está tensada correctamente, apriete los tornillos (16).

¡Advertencia! Cuando utilice una cadena de la sierra nueva, compruebe la tensión con frecuencia durante las primeras dos horas de uso, ya que una cadena de la sierra nueva se expande ligeramente.

Engrase de la cadena

Es necesario lubricar la cadena de la sierra antes de cada utilización y después de limpiarla, utilizando únicamente el grado correcto de aceite (número de catálogo A6027).

- ◆ Lubrique toda la cadena de la sierra (7) de manera uniforme con el aplicador (9).

Almacenamiento

Si la herramienta no se va a utilizar durante varios meses, lo ideal es dejar la batería conectada al cargador.

En caso contrario, realice el procedimiento siguiente:

- ◆ Cargue completamente la batería.
- ◆ Extraiga la batería de la herramienta.
- ◆ Guarde la herramienta y la batería en un lugar seguro y seco.
- ◆ La temperatura de almacenamiento siempre debe estar comprendida entre +10 °C y +40 °C. Coloque la batería en una superficie nivelada.
- ◆ Antes de utilizar la herramienta después de un período de almacenamiento prolongado, vuelva a cargar completamente la batería.

Protección del medioambiente



Recogida selectiva. Los productos y las baterías marcadas con este símbolo no se deben eliminar con los residuos domésticos normales.

Los productos y las baterías que contienen materiales que se puedan recuperar o reciclar reducen la demanda de materias primas.

Recicle los productos eléctricos y las baterías de conformidad con la normativa local. Puede obtener más información en www.2helpU.com

Datos técnicos

		GPC1820L H1	PS1820ST H1
Tensión	V _{cc}	18	18
Velocidad de la cadena sin carga	min. ⁻¹	190	190
Máx. longitud de corte	cm	17	17
Capacidad del mandril	mm	13	13
Peso	kg	3.5	3.5

Batería		BL2018	BL2018ST
Tensión	V _{cc}	18	18
Capacidad	Ah	2	2
Tipo		Litio-ión	Litio-ión

Cargador		905902** (Tipo 1)	906349**
Voltaje de entrada	V _{cc}	100 - 240	200-240
Voltaje de salida	Ah	8 - 20	8-20
Corriente de salida	mA	400	1000

Garantía

Black & Decker confía en la calidad de sus productos y ofrece a los consumidores una garantía de 24 meses a partir de la fecha de compra. Esta garantía es adicional a sus derechos legales y no los menoscaba en modo alguno. La garantía es válida dentro de los territorios de los Estados Miembros de la Unión Europea y del Área de Libre Comercio Europea. Para reclamar la garantía, la reclamación se debe presentar de conformidad con las condiciones de Black & Decker. Tendrá que adjuntar un justificante de compra al vendedor o al agente técnico autorizado.

Las condiciones de la garantía de 2 años de Black & Decker y la ubicación de su agente técnico autorizado más cercano se pueden obtener en Internet en www.2helpU.com o poniéndose en contacto con su oficina local de Black & Decker en la dirección que se indica en este manual.

Visite nuestro sitio web www.blackanddecker.co.uk para registrar su nuevo producto Black & Decker y recibir noticias sobre nuevos productos y ofertas especiales.

Nivel de presión acústica de acuerdo con la norma EN 60745:	
Presión acústica (L _{pa})	78 dB(A), Incertidumbre (K) 3 dB(A)
Potencia acústica (L _{wa})	98 dB(A), Incertidumbre (K) 3 dB(A)

Valores totales de vibración (suma vectorial triaxial) de acuerdo con la directiva EN 60745:	
Corte de madera blanda recién talada (a _{h,w})	= <2.5 m/s ² , Incertidumbre (K) 1.5 m/s ²

Declaración de conformidad CE
DIRECTIVA DE MÁQUINAS



GPC1820L, PS1820ST1 - Podadoras sin cable

Black & Decker declara que los productos descritos en el apartado "Datos técnicos" son conformes a las normas siguientes:

2006/42/CE, EN 60745-1:2009 +A11:2010,
EN 60745-2-15:2009 +A1:2010

Estos productos también cumplen con las Directivas 2014/30/UE y 2011/65/UE. Si desea obtener más información, póngase en contacto con Black & Decker a través de la siguiente dirección o consulte la contracubierta del manual.

El que suscribe es responsable de la compilación del archivo técnico y realiza esta declaración en nombre de Black & Decker.

R. Laverick
Director de ingeniería
Black & Decker Europa, 210 Bath Road, Slough,
Berkshire, SL1 3YD
Reino Unido
21/11/2016

Utilização pretendida

A tesoura eléctrica sem fios BLACK+DECKER GPC1820L, PS1820ST1 foi concebida para podar árvores. Esta ferramenta destina-se apenas para utilização doméstica. O carregador BLACK+DECKER foi concebido para carregar baterias BLACK+DECKER do tipo fornecido com esta ferramenta.

Instruções de segurança

Avisos de segurança gerais para ferramentas eléctricas



Atenção! Leia todos os avisos de segurança e todas as instruções. O não cumprimento dos seguintes avisos e instruções pode resultar em choque eléctrico, incêndio e/ou graves lesões.

Guarde todos os avisos e instruções para futura referência. A expressão "ferramenta eléctrica" utilizada a seguir refere-se a ferramentas eléctricas com ligação à corrente eléctrica (com cabo) ou com bateria (sem fios).

1. Segurança na área de trabalho

- a. **Mantenha a área de trabalho limpa e bem iluminada.** As áreas desorganizadas ou escuras são propensas a acidentes.
- b. **Não trabalhe com ferramentas eléctricas em áreas com risco de explosão, nas quais se encontrem líquidos, gases ou poeiras inflamáveis.** As ferramentas eléctricas criam faíscas que poderão inflamar estas poeiras ou vapores.
- c. **Mantenha crianças e outras pessoas afastadas durante a utilização da ferramenta eléctrica.** As distrações podem levar à perda do controlo da ferramenta.

2. Segurança eléctrica


- a. **As fichas da ferramenta eléctrica devem encaixar na tomada. Nunca modifique a ficha de forma alguma. Não utilize fichas adaptadoras com ferramentas eléctricas ligadas à terra.** As fichas não modificadas e as tomadas compatíveis reduzem o risco de choque eléctrico.
- b. **Evite que o corpo entre em contacto com superfícies ligadas à terra, como tubos, radiadores, fogões e frigoríficos.** Se o seu corpo estiver "ligado" à terra, o risco de choque eléctrico é maior.
- c. **As ferramentas eléctricas não podem ser expostas a chuva nem humidade.** A entrada de água numa ferramenta eléctrica aumenta o risco de choque eléctrico.
- d. **Manuseie o cabo com cuidado. Nunca o utilize para transportar, puxar ou desligar a ferramenta eléctrica.**

Mantenha o cabo afastado de fontes de calor, substâncias oleosas, extremidades aguçadas ou peças móveis. Os cabos danificados ou emaranhados aumentam o risco de choque eléctrico.

- e. **Quando trabalhar com uma ferramenta eléctrica ao ar livre, utilize uma extensão adequada para esse fim.** A utilização de um cabo adequado para uso ao ar livre reduz o risco de choque eléctrico.
- f. **Se for inevitável trabalhar com uma ferramenta eléctrica num local húmido, utilize um dispositivo de corrente residual (RCD).** A utilização de um DCR reduz o risco de choque eléctrico.

3. Segurança pessoal

- a. **Mantenha-se atento, observe o que está a fazer e seja prudente quando trabalhar com a ferramenta eléctrica. Não utilize uma ferramenta eléctrica quando estiver cansado ou sob o efeito de drogas, álcool ou medicamentos.** Um momento de distração durante a utilização de ferramentas eléctricas poderá resultar em ferimentos graves.
- b. **Utilize equipamento de protecção pessoal. Use sempre uma protecção ocular.** O equipamento de protecção, como, por exemplo, uma máscara contra o pó, sapatos de segurança antiderrapantes, um capacete de segurança ou uma protecção auditiva, usado nas condições apropriadas, reduz o risco de ferimentos.
- c. **Evite arranques involuntários. Certifique-se de que o botão está desligado antes de ligar a ferramenta à corrente eléctrica e/ou à bateria, e antes de levantar ou transportar a ferramenta.** Se mantiver o dedo sobre o interruptor ao transportar ferramentas eléctricas ou se as ligar à fonte de alimentação com o interruptor ligado, isso poderá dar origem a acidentes.
- d. **Retire eventuais chaves de ajuste ou chaves de fendas antes de ligar a ferramenta eléctrica.** Uma chave de fenda ou de ajuste que se encontre numa peça em rotação da ferramenta eléctrica poderá causar lesões.
- e. **Não tente chegar a pontos fora do alcance. Mantenha sempre os pés bem apoiados e um equilíbrio apropriado.** Desta forma, será mais fácil controlar a ferramenta eléctrica em situações inesperadas.
- f. **Use vestuário adequado. Não use roupa larga nem jóias. Mantenha o cabelo, a roupa e as luvas afastados das peças móveis.** As roupas largas, as jóias ou o cabelo comprido podem ficar presos nestas peças.
- g. **Se for prevista a montagem de dispositivos de extracção e recolha de poeiras, assegure-se de que estão ligados e que são utilizados de forma correcta.** A utilização de dispositivos de extracção de partículas pode reduzir os riscos relacionados com as mesmas.

4. **Utilização e manutenção da ferramenta eléctrica**
 - a. **Não sobrecarregue a ferramenta eléctrica. Utilize a ferramenta eléctrica correcta para o seu trabalho.** A ferramenta eléctrica adequada irá efectuar o trabalho de um modo mais eficiente e seguro se for utilizada de acordo com a capacidade para a qual foi concebida.
 - b. **Não utilize a ferramenta eléctrica se o interruptor não puder ser ligado ou desligado.** Qualquer ferramenta eléctrica que não possa ser controlada através do interruptor de alimentação é perigosa e tem de ser reparada.
 - c. **Desligue a ficha da tomada e/ou a bateria da ferramenta eléctrica antes de proceder a ajustes, trocar acessórios ou guardar ferramentas eléctricas.** Estas medidas de segurança preventivas reduzem o risco de ligar a ferramenta eléctrica acidentalmente.
 - d. **Mantenha as ferramentas eléctricas que não estiverem a ser utilizadas fora do alcance das crianças. Não permita que a ferramenta eléctrica seja utilizada por pessoas não familiarizadas com a mesma ou que não tenham lido estas instruções.** As ferramentas eléctricas são perigosas nas mãos de pessoas que não possuam as qualificações necessárias para as manusear.
 - e. **Proceda à manutenção das ferramentas eléctricas. Verifique se as partes móveis estão desalinhasadas ou bloqueadas, se existem peças partidas ou qualquer outra situação que possa afectar o funcionamento das ferramentas eléctricas. Se a ferramenta eléctrica estiver danificada, esta não deve ser utilizada até que seja reparada.** Muitos acidentes têm como principal causa ferramentas eléctricas com uma manutenção insuficiente.
 - f. **Mantenha as ferramentas de corte afiadas e limpas.** As ferramentas de corte sujeitas a uma manutenção adequada, com arestas de corte afiadas, emperram com menos frequência e controlam-se com maior facilidade.
 - g. **Utilize a ferramenta eléctrica, os acessórios e as peças de ferramenta, etc., de acordo com estas instruções, considerando as condições de trabalho e a tarefa a ser executada.** A utilização da ferramenta eléctrica para fins diferentes dos previstos poderá resultar em situações perigosas.
 5. **Utilização e cuidados a ter com a ferramenta com baterias**
 - a. **Carregue apenas com o carregador especificado pelo fabricante.** Um carregador adequado para um tipo de bateria pode causar um incêndio se for utilizado com outra bateria.
 - b. **Utilize ferramentas eléctricas apenas com baterias específicas.** A utilização de outras baterias pode dar origem a risco de danos e incêndio.
 - c. **Quando não utilizar a pilha, mantenha-a afastada de outros objectos metálicos, tais como cliques para papel, moedas, chaves, pregos, parafusos ou outros pequenos objectos metálicos que permitam fazer a ligação de um terminal para outro.** O curto-circuito de terminais das baterias pode causar queimaduras ou incêndio.
 - d. **Em condições abusivas, pode derramar líquido da bateria, devendo evitar o contacto. Se tocar acidentalmente no líquido, lave bem com água. Se o líquido entrar em contacto com os olhos, consulte um médico.** O líquido derramado da bateria pode causar irritação ou queimaduras.
 6. **Assistência**
 - a. **A sua ferramenta eléctrica só deve ser reparada por pessoal qualificado e só devem ser colocadas peças sobressalentes originais.** Desta forma, é garantida a segurança da ferramenta eléctrica.
- Avisos de segurança adicionais para ferramentas eléctricas**
-  **Atenção!** Avisos de segurança adicionais para berbequins e chaves de fendas
- ◆ **Use protecção auricular durante a perfuração de impacto.** A exposição ao ruído pode causar perda auditiva.
 - ◆ **Utilize os punhos auxiliares fornecidos com a ferramenta.** A perda de controlo pode causar lesões pessoais.
 - ◆ **Segure a ferramenta eléctrica pelas áreas isoladas quando executar uma operação em que o acessório de corte possa entrar em contacto com a cablagem oculta.** O acessório de corte que entre em contacto com um fio com tensão eléctrica poderão fazer com que as peças de metal expostas da ferramenta conduzam electricidade e electrocitem o utilizador.
 - ◆ **Segure a ferramenta eléctrica pelas áreas isoladas quando executar uma operação em que o agrafos possa entrar em contacto com a cablagem oculta.** Os agrafos que entrem em contacto com um fio com tensão eléctrica poderão fazer com que as peças de metal expostas da ferramenta conduzam electricidade e electrocitem o utilizador.
 - ◆ **Utilize grampos ou outro sistema prático para apoiar e fixar a peça numa plataforma estável.** Segurar a peça com a mão ou contra o corpo pode causar instabilidade e perda de controlo.
 - ◆ **Antes de perfurar paredes, tectos ou chãos, verifique a localização de cablagem e tubos.**
 - ◆ **Evite tocar na ponta de uma broca logo após a perfuração, uma vez que esta poderá estar quente.**

- ◆ A utilização adequada é descrita neste manual de instruções. A utilização de qualquer acessório ou a realização de qualquer operação com esta ferramenta que não se inclua no presente manual de instruções poderá representar um risco de ferimentos e/ou danos materiais.

Segurança de terceiros

- ◆ Este aparelho pode ser utilizado por crianças a partir dos 8 anos de idade e por pessoas com capacidades físicas, sensitivas ou mentais reduzidas ou com falta de experiência e conhecimento. Desde que tenham recebido supervisão ou instruções em relação à utilização do aparelho de forma segura e entendam os perigos envolvidos.
- ◆ As crianças não deverão mexer no aparelho. A limpeza e manutenção não deverão ser efectuadas por crianças sem supervisão.

Riscos residuais

Podem surgir riscos residuais adicionais durante a utilização da ferramenta, que poderão não constar nos avisos de segurança incluídos. Estes riscos podem resultar de má utilização, uso prolongado, etc.

Mesmo com o cumprimento dos regulamentos de segurança relevantes e a implementação de dispositivos de segurança, alguns riscos residuais não podem ser evitados. Estes incluem:

- ◆ Ferimentos causados pelo contacto com peças em rotação/movimento.
- ◆ Ferimentos causados durante a troca de peças, lâminas ou acessórios.
- ◆ Ferimentos causados pela utilização prolongada de uma ferramenta. Quando utilizar uma ferramenta durante períodos prolongados, certifique-se de que faz pausas regularmente.
- ◆ Danos auditivos.
- ◆ Problemas de saúde causados pela inalação de poeiras resultantes da utilização da ferramenta (exemplo: trabalhos em madeira, especialmente carvalho, faia e MDF.)

Vibração

Os valores de emissão de vibração declarados na secção de dados técnicos e na declaração de conformidade foram medidos de acordo com o método de teste padrão fornecido pela norma EN 60745 e podem ser utilizados para comparar ferramentas. O valor de emissão de vibração declarado pode ainda ser utilizado numa avaliação preliminar de exposição.

Atenção! O valor de emissão de vibração durante a utilização real da ferramenta eléctrica pode ser diferente do valor declarado, dependendo da forma como a ferramenta é utilizada. O nível de vibração pode aumentar acima do nível indicado.

Quando avaliar a exposição da vibração para determinar as medidas de segurança exigidas pela Directiva 2002/44/CE para proteger pessoas que utilizem regularmente ferramentas eléctricas na sua actividade profissional, deve ser considerada uma estimativa de exposição de vibração, as condições reais de utilização e o modo de utilização da ferramenta, incluindo ainda todas as partes do ciclo de funcionamento, como os períodos de inactividade e espera da ferramenta, para além do tempo de funcionamento.

Poda

Antes de tentar podar uma árvore, certifique-se de que não existem quaisquer leis ou regulamentações locais que impeçam ou regulem o derrube da árvore.

- ◆ Esteja atento à direcção possível de queda do ramo. Analise todos os elementos que possam afectar a direcção da queda, incluindo:
 - ◆ o comprimento e peso do ramo a cortar
 - ◆ a direcção pretendida da queda
 - ◆ a existência de alguma estrutura ou apodrecimento de madeira pesada
 - ◆ a presença de árvores e obstáculos nas proximidades,
 - ◆ incluindo linhas aéreas
 - ◆ o entrelaçamento com outros ramos
 - ◆ a velocidade e direcção do vento
- ◆ Tenha em consideração o acesso ao ramo da árvore.

Os ramos das árvores têm tendência a girar em direcção ao tronco das mesmas. Além do utilizador, qualquer pessoa, edifício ou objecto por baixo do ramo poderá ser atingido por este.

Etiquetas colocadas na ferramenta

A ferramenta apresenta os seguintes símbolos de aviso juntamente com o código de data:



Atenção! Para reduzir o risco de ferimentos, o utilizador deve ler o manual de instruções.



Não exponha a ferramenta à chuva ou humidade elevada.



Tenha em atenção a possibilidade de queda de objectos. Mantenha os transeuntes afastados.



Perigo de electrocussão. Mantenha uma distância mínima de 10 m das linhas aéreas.



Utilize sempre protecção para a cabeça e olhos.



Utilize calçado de segurança anti-derrapante.

Para garantir a segurança contínua da utilização, verifique a tensão da corrente a cada 10 minutos de utilização conforme descrito neste manual, ajustando-a conforme necessário para uma distância de 3 mm. Oleie a corrente a cada 10 minutos de utilização.



Direcção de rotação da corrente.



Atenção! Não toque na corrente no ponto de ejeção das aparas.

Instruções de segurança adicionais para baterias e carregadores

Baterias

- ◆ Nunca tente abrir a bateria, seja qual for o motivo.
- ◆ Não exponha a bateria à água.
- ◆ Não armazene em locais onde a temperatura possa exceder os 40 °C.
- ◆ Carregue apenas a temperaturas ambiente entre 10 °C e 40 °C.
- ◆ Carregue apenas com o carregador fornecido com a ferramenta.
- ◆ Quando eliminar as baterias, siga as instruções da secção “Protecção do ambiente”.
- ◆ Não danifique a bateria por perfuração ou impacto, pois poderá originar risco de ferimentos e incêndio.
- ◆ Não carregue baterias danificadas.
- ◆ Em condições extremas, pode ocorrer uma fuga nas baterias. Se detectar a fuga de líquido das baterias, limpe o líquido cuidadosamente com um pano. Evite o contacto com a pele.
- ◆ Em caso de contacto com a pele ou com os olhos, siga as instruções seguintes.

Atenção! O fluido da bateria pode causar ferimentos pessoais ou danos materiais. Em caso de contacto com a pele, enxágue imediatamente com água. Em caso de vermelhidão, dor ou irritação, contacte um médico. Em caso de contacto com os olhos, enxágue imediatamente com água limpa e procure ajuda médica.

Carregadores

O carregador foi concebido para uma tensão específica. Verifique sempre se a tensão de alimentação corresponde à tensão indicada na placa sinalética.

- ◆ Utilize o seu carregador BLACK+DECKER apenas para carregar a bateria da ferramenta com que foi fornecido. Outras baterias podem rebentar, provocando ferimentos e danos.
- ◆ Nunca tente carregar baterias não recarregáveis.
- ◆ Substitua os cabos defeituosos imediatamente.

- ◆ Não exponha o carregador à água.
- ◆ Não abra o carregador.
- ◆ Não abra o carregador.
- ◆ O carregador deve ser colocado numa área com boa ventilação durante o carregamento.

Símbolos no carregador

O carregador contém os seguintes símbolos de aviso:



O carregador deverá ser utilizado apenas em espaços interiores.



Antes da utilização, leia o manual de instruções.

Segurança eléctrica



O seu carregador tem isolamento duplo. Por esse motivo, não precisa de ligação à terra. Verifique sempre se a tensão de alimentação corresponde à tensão indicada na placa sinalética. Nunca tente substituir a unidade do carregador por uma tomada de alimentação normal.

- ◆ Se o cabo de alimentação estiver danificado, terá de ser substituído pelo fabricante ou por um Centro de Assistência autorizado da BLACK+DECKER, de modo a evitar situações de perigo.

Componentes

Este aparelho inclui algumas ou todas as seguintes características.

1. Interruptor de ligar/desligar
2. Botão de desbloqueio
3. Pega principal
4. Cabeça da lâmina
5. Tampa da roda dentada
6. Barra de direcção
7. Corrente
8. Bainha da corrente
9. Frasco de lubrificante
10. Suporte de extensão
11. Bateria

Fig. A

12. Carregador

Montagem

Atenção! Antes de montar, remova a bateria da ferramenta.

Colocação e remoção da bateria (Fig. B)

- ◆ Para colocar a bateria (11), alinhe-a com o receptáculo na ferramenta. Deslize a bateria para dentro do receptáculo e empurre-a até que se encaixe devidamente.
- ◆ Para remover a bateria, pressione os botões de desbloqueio (13) enquanto retira, simultaneamente, a bateria do receptáculo.

Atenção! Para prevenir um funcionamento acidental, certifique-se de que a bateria é retirada e de que a protecção da corrente se encontra no sítio, na corrente antes de efectuar as seguintes operações. Se não o fizer, poderão ocorrer ferimentos pessoais graves.

Ajustar a cabeça da lâmina (fig. C)

A cabeça da lâmina pode ser colocada directamente no cabo para obter um alcance padrão.

- ◆ Alinhe a ranhura do lado exterior da extremidade de encaixe do cabo (3) com a patilha do lado interior da extremidade de encaixe da cabeça da lâmina (4). Encaixe a cabeça da lâmina (4) no cabo (3).
- ◆ Deslize o mandril (14) para baixo e rode-o no sentido dos ponteiros do relógio até ficar completamente apertado.

Atenção! Verifique periodicamente as ligações para garantir que estão bem apertadas.

Aumentar a cabeça da lâmina (fig. D)

O alcance máximo pode ser obtido através da colocação de um suporte de extensão (10) entre a cabeça da lâmina (4) e o cabo (3).

- ◆ Alinhe a ranhura do lado exterior da extremidade de encaixe do cabo (3) com a patilha do lado interior da extremidade de encaixe do suporte de extensão (10).
- ◆ Encaixe o suporte de extensão (10) no cabo (3).
- ◆ Deslize o mandril (15) para baixo e rode-o no sentido dos ponteiros do relógio até ficar completamente apertado.
- ◆ Alinhe a ranhura do lado exterior da extremidade de encaixe do suporte de extensão (10) com a patilha do lado interior da extremidade de encaixe da cabeça da lâmina (4).
- ◆ Encaixe a cabeça da lâmina (4) no suporte de extensão (10).
- ◆ Deslize o mandril (14) para baixo e rode-o no sentido dos ponteiros do relógio até ficar completamente apertado.

Atenção! Verifique periodicamente as ligações para garantir que estão bem apertadas.

Remover a cabeça da lâmina (fig. C e D)

Se o suporte de extensão (10) estiver colocado, a cabeça da lâmina tem de ser removida primeiro.

- ◆ Para remover a cabeça da lâmina (4), coloque o cabo (3) no chão, desaperte o mandril (14) e retire a cabeça da lâmina.

Utilização

Atenção! Não altere o ritmo de funcionamento da ferramenta. Não sobrecarregue.

Carregar a bateria - Figura A

A bateria precisa de ser carregada antes da primeira utilização e sempre que não conseguir produzir energia suficiente em trabalhos anteriormente feitos sem dificuldade. A bateria pode aquecer durante o carregamento. Isto é normal e não indica um problema.

Atenção! Não carregue a bateria a temperaturas ambiente inferiores a 10 °C ou superiores a 40 °C. Temperatura de carregamento recomendada: aproximadamente 24 °C.

Nota: O carregador não irá carregar a bateria se a temperatura das células for inferior a 10 °C ou superior a 40 °C. A bateria não deve ser retirada do carregador para que este comece a carregar automaticamente quando a temperatura das células aquecer ou arrefecer.

- ◆ Para carregar a bateria (11), remova-a da ferramenta e insira-a no carregador (12). A bateria apenas pode ser colocada no carregador de uma forma. Não force o movimento de corte. Certifique-se de que a bateria está completamente introduzida no carregador.
- ◆ Ligue a ficha do carregador e ligue-o à corrente.
- ◆ O indicador de carga (24) ficará intermitente a verde de forma contínua (lentamente).

A carga estará concluída quando o indicador de carga (24) ficar verde de forma contínua. O carregador e a bateria podem permanecer ligados indefinidamente com o LED aceso. O LED mudará para o estado de intermitente a verde (a carregar) à medida que o carregador ocasionalmente preenche a carga da bateria. O indicador de carga (24) ficará aceso enquanto a bateria estiver fixa ao carregador ligado na tomada.

- ◆ As baterias descarregadas devem ser carregadas no espaço de 1 semana. A vida útil de uma bateria diminuirá consideravelmente se for guardada sem carga.

Deixar a bateria no carregador

O carregador e a bateria podem ser sempre deixados ligados com o LED aceso. O carregador mantém a bateria com energia e totalmente carregada.

Diagnóstico do carregador

Se o carregador detectar uma bateria fraca ou danificada, o indicador de carga (24) piscará rapidamente a vermelho. Proceda

da seguinte forma:

- ◆ Insira novamente a bateria (11).
- ◆ Se o indicador de carga continuar a piscar rapidamente a vermelho, utilize uma bateria diferente para determinar se o processo de carga está a funcionar correctamente.

- ◆ Se a bateria de substituição carregar correctamente, então a bateria original está defeituosa e deve ser entregue num centro de serviço para reciclagem.
- ◆ Se a bateria nova der a mesma indicação que a bateria original, leve o carregador até um centro de assistência autorizado para ser testado.

Nota: determinar se a bateria está defeituosa pode demorar até 60 minutos. Se a bateria estiver demasiado quente ou fria, o LED piscará alternadamente de modo rápido e lento, piscando uma vez a cada velocidade e repetindo o processo.

Ligar e desligar (Fig. E)

Para sua segurança, esta ferramenta encontra-se equipada com um sistema de dois interruptores. Este sistema impede que a ferramenta seja ligada de forma inadvertida.

Ligar

- ◆ Pressione o botão de desbloqueio (2) para trás com o polegar ao mesmo tempo que prime o interruptor para ligar/desligar (1).
- ◆ Liberte o botão de desbloqueio (2).

Desligar

- ◆ Liberte o interruptor ligar/desligar (1).

Atenção! Nunca tente bloquear um interruptor de ligação na posição de ligado.

Podar (fig. F)

- ◆ Certifique-se de que a ferramenta se encontra em pleno funcionamento antes de efectuar um corte.
- ◆ Segure a ferramenta com firmeza na posição de corte para evitar um eventual salto ou deslocamento lateral da ferramenta. Guie a ferramenta pelo ramo aplicando uma ligeira pressão. Quando cortar ramos pesados, onde um corte parcial pode lascas ou danificar a árvore, proceda da seguinte forma:
 - ◆ Efectue o primeiro corte a uma distância de 15 cm do tronco da árvore, no lado inferior do ramo. Utilize a parte superior da barra de direcção (6) para efectuar este corte.
 - ◆ Corte um terço do diâmetro do ramo. Em seguida, corte para baixo a partir do topo.

Limpeza, manutenção e armazenamento

O seu aparelho/ferramenta com/sem fio BLACK+DECKER foi concebido para funcionar durante muito tempo, com um mínimo de manutenção. Uma utilização continuamente satisfatória depende de uma manutenção apropriada da ferramenta e de uma limpeza regular.

Atenção! Antes de proceder a qualquer acção de manutenção em ferramentas eléctricas com cabo/sem fios:

- ◆ Desligue o aparelho/ferramenta e retire a respectiva ficha da tomada.
- ◆ Ou desligue e remova a bateria do aparelho/ferramenta caso o aparelho/ferramenta tenha uma bateria individual
- ◆ Ou deixe a bateria descarregar completamente se estiver incorporada e, em seguida, desligue-a.
- ◆ Desligue o carregador antes de o limpar. O seu carregador não necessita de manutenção para além da limpeza regular.

Limpe regularmente as aberturas de ventilação no aparelho/ferramenta/carregador com uma escova suave ou um pano seco.

Limpe regularmente a caixa do motor com um pano húmido. Não utilize produtos de limpeza abrasivos ou à base de dissolventes.

Abra o mandril regularmente e bata no mesmo para remover qualquer vestígio de pó do seu interior (quando colocado).

Após a utilização e antes do armazenamento

- ◆ Limpe regularmente as aberturas de ventilação com um pincel limpo e seco.
- ◆ Para limpar a ferramenta, utilize apenas sabão neutro e um pano húmido. Nunca deixe nenhum líquido entrar na ferramenta e nunca mergulhe nenhuma parte da ferramenta em líquido.
- ◆ Remova os resíduos com uma escova dura.
- ◆ Lubrifique a corrente com óleo.

Instalar e retirar a corrente da serra (fig. G e H)

Atenção! Utilize sempre luvas de protecção durante a instalação ou remoção da corrente da serra. A corrente da serra é afiada e pode cortá-lo quando não estiver a ser utilizada

- ◆ Coloque a ferramenta numa superfície firme e estável.
- ◆ Desaperte os parafusos (16) com a chave Allen fornecida. Retire os parafusos.
- ◆ Remova a cobertura da roda dentada (5) e o grampo da barra (17).
- ◆ Rode o parafuso (18) no sentido contrário ao dos ponteiros do relógio para permitir que a barra de direcção (6) recue e reduza a tensão na corrente da serra (7). Retire a corrente antiga da roda dentada (19) e da barra de direcção (6).
- ◆ Coloque a corrente nova na ranhura da barra de direcção e à volta da roda dentada. Certifique-se de que os dentes estão na direcção correcta, fazendo corresponder a seta da serra de corte com a seta da caixa.
- ◆ Certifique-se de que a ranhura (20) na barra de direcção se encontra sobre os pinos de localização (21) e que o orifício (22) abaixo da ranhura se encontra sobre o pino de ajuste (23).
- ◆ Volte a colocar a cobertura da roda dentada (5), o grampo da barra (17) e os parafusos (16).
- ◆ Desaperte os parafusos (16) com a chave Allen fornecida.

◆ Ajuste a tensão da corrente, conforme descrito abaixo. Para garantir um funcionamento sempre seguro, a corrente e a barra de direcção só podem ser substituídas por peças originais da Black & Decker. Número da peça de substituição da corrente A6158 número da peça de substituição da barra de direcção 623381-00.

Verificar e ajustar a tensão da corrente (fig. G)

◆ Verificar a tensão da corrente da serra. A tensão é a correcta quando a corrente da serra (7) voltar a encaixar após ser afastada 3 mm da barra da corrente da serra com um pequeno esforço do polegar e do dedo médio. Não deverá existir qualquer 'folga' entre a barra de direcção (6) e a corrente da serra (7) no lado inferior.

Para ajustar a tensão:

- ◆ Afrouxe os parafusos (16).
- ◆ Rode o parafuso (18) no sentido horário.

Atenção! Não aplique uma tensão excessiva na corrente, pois pode provocar um desgaste excessivo e reduzir a duração da barra e da corrente.

◆ Assim que a tensão da corrente estiver correcta, aperte os parafusos (16).

Atenção! Quando a corrente é nova, verifique frequentemente a tensão, durante as duas primeiras horas de utilização, visto que a nova corrente tem tendência a esticar ligeiramente.

Lubrificar a corrente

A corrente da serra tem de ser lubrificada antes de cada utilização e após a limpeza utilizando apenas a classe correcta do óleo (cat. n.º A6027).

- ◆ Lubrifique toda a corrente da serra (7) uniformemente com o aplicador (9).

Armazenamento

Quando a ferramenta não for utilizada durante vários meses, deixe, de preferência, a bateria ligada ao carregador.

Caso contrário, proceda da seguinte forma:

- ◆ Carregue completamente a bateria.
- ◆ Remova a bateria da ferramenta.
- ◆ Guarde a ferramenta e a bateria num local seguro e seco.
- ◆ A temperatura de armazenamento deve situar-se sempre entre +10 °C e +40 °C. Coloque a bateria num local nivelado.
- ◆ Antes de utilizar a ferramenta após um tempo de inactividade prolongado, carregue totalmente a bateria de novo.

Protecção do ambiente



Faça uma recolha de lixo selectiva. Os produtos e as baterias assinaladas com este símbolo não devem ser eliminados juntamente com o lixo doméstico normal.

Os produtos e as baterias contêm materiais que podem ser recuperados ou reciclados, reduzindo assim a necessidade de matérias-primas.

Recicle os produtos eléctricos e as baterias de acordo com as disposições locais. Estão disponíveis mais informações em www.2helpU.com

Dados técnicos

		GPC1820L H1	PS1820ST1 H1
Tensão	V _{cc}	18	18
Velocidade da corrente sem carga	min. ⁻¹	190	190
Comprimento máx. de corte	cm	17	17
Capacidade do mandril	mm	13	13
Peso	kg	3,5	3,5

		BL2018	BL2018ST
Tensão	V _{cc}	18	18
Capacidade	Ah	2	2
Tipo		lões de lítio	lões de lítio

		905902** (tipo 1)	906349**
Tensão de entrada	V _{cc}	100 - 240	200-240
Voltagem de Saída	Ah	8 - 20	8-20
Corrente de saída	mA	400	1000

Nível de pressão acústica de acordo com a norma EN 60745:

Pressão acústica (L_{pm}) 78 dB(A), variabilidade (K) 3 dB(A)

Potência acústica (L_{pw}) 98 dB(A), incerteza (K) 3 dB(A)

Valores totais de vibração (soma vectores triax) de acordo com a EN 60745:

Corte de madeira macia recém-abatida (a_{n,w}) = <2,5 m/s² variabilidade (K) 1,5 m/s²

Declaração de conformidade CE DIRECTIVA "MÁQUINAS"




GPC1820L, PS1820ST1 - Tesoura eléctrica sem fios

A Black & Decker declara que os produtos descritos nos "dados técnicos" estão em conformidade com:
2006/42/CE, EN 60745-1:2009 +A11:2010,
EN 60745-2-15:2009 +A1:2010

Estes produtos estão também em conformidade com as Directivas 2014/30/UE e 2011/65/UE. Para mais informações, contacte a Black & Decker no endereço indicado em seguida ou consulte a parte posterior do manual.

O abaixo assinado é responsável pela compilação do ficheiro técnico e faz esta declaração em nome da Black & Decker.



R. Laverick
Director de Engenharia
Black & Decker Europe, 210 Bath Road, Slough,
Berkshire, SL1 3YD
Reino Unido
21/11/2016

Avsedd användning

Din BLACK+DECKER GPC1820L, PS1820ST1 sladdlösa grensåg har designats för beskärning av träd. Detta verktyg är endast avsett för konsumentbruk.

Din BLACK+DECKER laddare har designats för att kunna ladda BLACK+DECKER-batterier av den typ som medföljer detta verktyg.

Säkerhetsinstruktioner

Allmänna säkerhetsanvisningar för elverktyg



Varning! Läs alla säkerhetsvarningar och instruktioner. Fel som uppstår till följd av att varningarna och instruktionerna som listas nedan inte följts kan orsaka elstötar, brand och/eller allvarliga kroppsskador.

Spara alla säkerhetsföreskrifter och anvisningar för framtida bruk. Begreppet "Elverktyg" i alla varningar som listas nedan avser nätdrivna elverktyg (med nätsladd) och batteridrivna elverktyg (sladdlösa).

1. Säkerhet på arbetsplatsen

- Se till att arbetsområdet är rent och väl belyst.** Belamrade och mörka områden inbjuder till olyckor.
- Använd inte elverktyget i explosionsfarlig omgivning, t.ex. i närheten av brännbara vätskor, gaser eller damm.** Elverktyg skapar gnistor som kan antända damm eller ångor.
- Håll barn och åskådare på avstånd vid arbete med elverktyget.** Distraktioner kan göra att du förlorar kontrollen.

2. Elsäkerhet

- Elverktygets stickkontakt måste passa i eluttaget. Modifiera aldrig kontakten på något sätt. Använd inga adapterkontakter tillsammans med jordade elverktyg.** Icke modifierade kontakter och passande uttag minskar risken för elektrisk stöt.
- Undvik kroppskontakt med jordade ytor, t.ex. rör, värmelement, spisar och kylskåp.** Det finns en ökad risk för elektrisk stöt om din kropp är jordansluten eller jordad.
- Utsätt inte elverktyget för regn eller våta omgivelningar.** Vatten som kommer in i ett elverktyg ökar risken för elektrisk stöt.
- Misshandla inte nätsladden. Använd aldrig sladden för att bära, dra eller koppla bort elverktyget från uttaget. Håll sladden borta från värme, olja, skarpa kanter eller rörliga delar.** Skadade eller tillrasslade sladdar ökar risken för elektrisk stöt.

Garantia

A Black & Decker confia na qualidade dos seus produtos e oferece aos clientes uma garantia de 24 meses a partir da data de compra. Esta garantia é um complemento dos seus direitos estabelecidos por lei, não os prejudicando de forma alguma. A garantia é válida nos Estados-membros da União Europeia e nos países-membros da Zona Europeia de Comércio Livre.

Para acionar a garantia, esta deve estar em conformidade com os termos e condições da Black&Decker e terá de apresentar o comprovativo de compra ao vendedor ou a um agente de reparação autorizado.

Os termos e condições da garantia de 2 anos da Black&Decker e a localização do agente de reparação autorizado mais próximo podem ser obtidos na Internet em www.2helpU.com ou contactando uma filial da Black & Decker, cuja morada está indicada neste manual.

Visite o nosso Website www.blackanddecker.co.uk para registar o novo produto Black & Decker e manter-se atualizado relativamente a novos produtos e ofertas especiais.

- e. **Använd en förlängningsladd som lämpar sig för utomhusbruk när du arbetar med elverktyg utomhus.** Användning av en sladd som är lämplig för utomhusbruk minskar risken för elektriska stötar.
- f. **Om du måste använda ett elverktyg på en fuktig plats, bör du använda en strömförsörjning med jordfelsbrytare.** Att använda en jordfelsbrytare minskar risken för elektrisk stöt.
- 3. Personlig säkerhet**
- a. **Var uppmärksam, se på vad du gör och använd sunt omdöme när du använder elverktyget. Använd inte ett elverktyg när du är trött eller påverkad av droger, alkohol eller mediciner.** Ett ögonblicks uppmärksamhet när du arbetar med elektriska verktyg kan leda till allvarliga personskador.
- b. **Använd personlig skyddsutrustning. Använd alltid skyddsglasögon.** Skyddsutrustning såsom dammfilterskydd, halksäkra säkerhetsskor, skyddshjälm eller hörselskydd som används för lämpliga förhållanden minskar personskador.
- c. **Förhindra oavsiktlig start. Kontrollera att strömbrytaren står i avstängt läge innan du ansluter verktyget till elnätet eller sätter i batteriet, samt innan du tar upp eller bär verktyget.** Att bära elektriska verktyg med fingret på strömbrytaren eller att koppla strömmen till elektriska verktyg när strömbrytaren är på leder till olyckor.
- d. **Ta bort alla inställningsverktyg och skruvnycklar innan du startar elverktyget.** Ett verktyg eller en nyckel som har lämnats kvar på en roterande del av det elektriska verktyget kan orsaka kroppsskador.
- e. **Sträck dig inte för mycket. Ha ordentligt fotfäste och balans hela tiden.** Detta möjliggör bättre kontroll av elverktyget i oväntade situationer.
- f. **Bär lämpliga kläder. Bär inte lösa kläder eller smycken. Håll hår, beklädnad och handskar borta från delar i rörelse.** Lösa kläder, smycken eller långt hår kan fastna i rörliga delar.
- g. **Om enheten har dammsugnings- och uppsamlingsutrustning, se till att den är ansluten och används på korrekt sätt.** Användning av dammsugning kan minska dammrelaterade risker.
- 4. Användning och skötsel av elverktyg**
- a. **Överbelasta inte elverktyget. Använd rätt elverktyg för ditt arbete.** Det korrekta elverktyget gör arbetet bättre och säkrare vid den hastighet för vilket det konstruerades.
- b. **Använd inte elverktyget om det inte kan startas och stängas av med strömbrytaren.** Ett elverktyg som inte kan kontrolleras med strömbrytaren är farligt och måste repareras.
- c. **Dra stickproppen ur vägguttaget och/eller ta ut batteriet ur elverktyget innan inställningar görs, tillbehör byts ut eller elverktyget ställs undan.** Sådana förebyggande säkerhetsåtgärder minskar risken att oavsiktligt starta elverktyget.
- d. **Förvara elverktyg utom räckhåll för barn och låt inte personer som är ovana vid elverktyget eller som inte läst denna bruksanvisning använda det.** Elverktyg är farliga i händerna på ovana användare.
- e. **Underhålla elverktyg. Kontrollera att rörliga komponenter fungerar felfritt och inte kärvar, att komponenter inte gått sönder eller skadats och inget annat föreligger som kan påverka elverktygets funktion. Om det är skadat, se till att elverktyget blir reparerat före användning.** Många olyckor orsakas av dåligt underhållna elektriska verktyg.
- f. **Håll skärande verktyg vassa och rena.** Korrekt underhållna kapverktyg med vassa skär är mindre troliga att de fastnar och är lättare att kontrollera.
- g. **Använd elverktyg, tillbehör, bits m.m. enligt dessa anvisningar, samtidigt som arbetsförhållandena och det arbete som ska utföras beaktas.** Användning av elverktyget för andra uppgifter än vad som avsetts kan resultera i farliga situationer.
- 5. Användning och skötsel av batteridrivet verktyg**
- a. **Ladda endast med den laddare som är specificerad av tillverkaren.** En laddare som passar en batterityp kan medföra brandrisk om den används ihop med ett annat batteri.
- b. **Använd endast de batteripaket som är speciellt avsedda för elverktyget.** Användning av andra batteripaket kan leda till personskador eller eldsvåda.
- c. **När batteriet inte används ska du hålla det åtskilt från metallföremål som gem, mynt, nycklar, spik, skruvar och andra små metallföremål som kan orsaka kortslutning mellan batteriets poler.** Kortslutning av batteripolerna kan leda till brännskador eller eldsvåda.
- d. **Under olämpliga förhållanden kan vätska spruta ut från batteriet. Undvik kontakt. Vid oavsiktlig kontakt, spola med vatten. Om vätskan kommer i kontakt med ögonen, sök också läkarhjälp.** Vätska som sprutar ur batteriet kan orsaka sveda och brännskador.
- 6. Service**
- a. **Låt en kvalificerad reparatör som bara använder identiska reservdelar utföra service på elverktyget.** Detta säkerställer att elverktygets säkerhet bibehålls.

Ytterligare säkerhetsanvisningar för elverktyg



Varning! Ytterligare säkerhetsanvisningar för bormaskiner och skruvdragare

- ◆ **Använd hörselskydd vid slagborrning.** Att utsättas för buller kan leda till hörselskador.
- ◆ **Använd de extra handtag som medföljer verktyget.** Tappad kontroll kan orsaka personskador.
- ◆ **Håll verktyget i de isolerade greppytorna vid arbete där det skärande tillbehöret riskerar att komma i kontakt med dolda elledningar.** Kapitillbehör som kommer i kontakt med en strömförande ledning kan göra att exponerade metalldelar hos elverktyget blir strömförande och kan ge användaren en elektrisk stöt.
- ◆ **Håll verktyget i de isolerade greppytorna vid arbete där fästanordningen riskerar att komma i kontakt med dolda elledningar.** Fästdon som kommer i kontakt med en strömförande ledning kan göra att exponerade metalldelar hos elverktyget blir strömförande och kan ge användaren en elektrisk stöt.
- ◆ **Använd skruvtvingar eller något annat praktiskt sätt att fästa och stödja arbetsstycket mot ett stabilt underlag.** Att hålla arbetet för hand eller mot kroppen är instabilt och kan göra att du förlorar kontrollen.
- ◆ Innan du borrar i väggar, golv eller tak ska du kontrollera var rör eller elledning finns.
- ◆ Undvik att vidröra spetsen på en borr precis efter borrning, eftersom den kan vara het.
- ◆ Den avsedda användningen beskrivs i denna bruksanvisning. Om andra tillbehör eller tillsatser används, eller om någon annan verksamhet än den som rekommenderas i den här bruksanvisningen genomförs med verktyget, kan personer och/eller egendom ta skada.

Andras säkerhet

- ◆ Apparaten kan användas av barn från åtta år och personer med nedsatt fysisk eller psykisk förmåga eller bristande erfarenhet eller kunskap. Om de får lämplig vägledning i hur apparaten ska användas på ett säkert sätt och är medvetna om riskerna.
- ◆ Barn ska inte leka med apparaten. Rengöring och användarunderhåll ska inte utföras av barn utan övervakning.

Återstående risker

Ytterligare risker som inte finns med i de bifogade säkerhetsanvisningarna kan uppstå när verktyget används. Dessa risker kan uppstå vid felaktig eller långvarig användning, etc. Även om alla relevanta säkerhetsanvisningar följs och säkerhetsanordningar används kan vissa ytterligare risker inte undvikas. Dessa omfattar:

- ◆ Skador orsakade av att roterande/rörliga delar vidrörs.
- ◆ Skador som uppstår vid byte av delar, klingor eller tillbehör.
- ◆ Skador som orsakas av långvarig användning av ett verktyg. Se till att regelbundet ta vilopauser när du använder ett verktyg under en längre period.
- ◆ Nedsatt hörsel.

- ◆ Hälsorisker till följd av inandning av damm när redskapet används (exempel: arbete med trämaterial, särskilt ek, bok och MDF.)

Vibrationer

De vibrationsvärden som anges i avsnitten Tekniska data och deklarationen om överensstämmelse har uppmätts i enlighet med en standardtestmetod föreskriven i EN 60745 och kan användas för jämförelse med andra verktyg. Det angivna vibrationsvärdet kan även användas för en preliminär bedömning av exponeringen.

Varning! Vibrationsvärdet under faktisk användning av elverktyget kan skilja sig från det uppgivna värdet beroende på hur verktyget används. Vibrationsnivån kan överstiga den uppgivna nivån.

Vid uppskattningar av exponering för vibrationer i syfte att bedöma vilka säkerhetsåtgärder som är nödvändiga enligt 2002/44/EG för att skydda personer som regelbundet använder elverktyg i arbetet ska man utgå från de faktiska omständigheter under vilka elverktyget används och sättet på vilket det används. Bedömningen ska även ta hänsyn till alla moment i arbetscykeln, t.ex. när verktyget är avstängt och när det går på tomgång såväl som när det faktiskt används.

Beskärning

Innan du börjar beskära träd bör du ta reda på vad lokala bestämmelser säger om trädfällning.

- ◆ Var medveten om i vilken riktning grenar kan falla. Ta hänsyn till alla förhållanden som kan påverka fallriktningen, bland annat:
 - ◆ längd och vikt på den gren som ska beskäras
 - ◆ den tänkta fallriktningen
 - ◆ alla ovanligt kraftiga eller murkna grenar
 - ◆ kringstående träd och hinder, även ovanför marken,
 - ◆ t.ex. luftledning
 - ◆ sammanflätning med andra grenar
 - ◆ vindens hastighet och riktning
- ◆ Ta hänsyn till avståndet till grenen.

Trädgrenar faller ned mot trädstammen. Förutom användaren riskerar även personer som befinner sig i närheten, byggnader samt föremål under grenen att träffas av den fallande grenen.

Etiketter på verktyget

Följande varningssymboler finns på verktyget, tillsammans med datumkoden:



Varning! Läs bruksanvisningen före användning för att minska risken för personskador.



Utsätt inte verktyget för regn och vata.



Se upp för fallande föremål. Håll åskådare borta.



Risk för elstötar med dödlig utgång. Håll dig minst 10 meter från luftledningarna.



Använd alltid skydd för huvud och ögon.



Använd halkfria säkerhetsskor.



Kontrollera var tionde minut att kedjan är ordentligt spänd (se anvisningarna i denna bruksanvisning) och justera den inom en marginal på 3 mm efter behov. Smörj kedjan var 10:e minut vid användning.



Kedjans rotationsriktning.



Varning! Rör inte kedjan vid spånutkastet.

Ytterligare säkerhetsinstruktioner för batterier och laddare

Batterier

- ◆ Försök aldrig öppna av någon anledning.
- ◆ Utsätt inte batteriet för vatten.
- ◆ Förvara inte på platser där temperaturen kan bli högre än 40 °C.
- ◆ Ladda endast vid omgivningstemperaturer på mellan 10 °C och 40 °C.
- ◆ Ladda endast med den laddare som följer med apparaten.
- ◆ Följ instruktionerna i avsnittet "Skydda miljön" när du gör dig av med batterier.
- ◆ Skada/deformera inte batteripaketet varken genom att punktera det eller utsätta det för slag, eftersom detta kan leda till risk för personskador och brand.
- ◆ Ladda inte skadade batterier.
- ◆ Under extrema förhållanden kan batterierna läcka.

Om det finns vätska på batterierna ska du torka bort vätskan försiktigt med hjälp av en trasa. Undvik hudkontakt.

- ◆ Vid kontakt med hud eller ögon, följ instruktionerna nedan.

Varning! Batterivätskan kan orsaka person- eller materialskador. Vid hudkontakt, skölj genast med vatten. Vid rodnader, smärta eller irritation ska läkare uppsökas. Vid kontakt med ögon, skölj genast med rent vatten och uppsök läkare.

Laddare

Laddaren är avsedd för en viss spänning. Kontrollera alltid att nätspänningen överensstämmer med spänningen på typskylten.

- ◆ Använd din BLACK+DECKER laddare endast för att ladda batteriet i det verktyg som den levererades med. Andra batterier kan spricka och orsaka personskador och andra skador.
- ◆ Försök aldrig ladda batterier som inte är uppladdningsbara.
- ◆ Se till att defekta sladdar byts ut omedelbart.
- ◆ Utsätt inte laddaren för vatten.
- ◆ Öppna inte laddaren.
- ◆ Gör ingen överkan på laddaren.
- ◆ Batteriladdaren ska placeras på en plats med god ventilation vid laddning.

Symboler på laddaren

Följande symboler finns på laddaren:



Laddaren är endast avsedd för inomhusbruk.



Läs bruksanvisningen före användning.

Elsäkerhet



Eftersom laddaren är dubbelisolerad behövs ingen jordledare. Kontrollera alltid att nätspänningen överensstämmer med spänningen på typskylten. Försök aldrig byta ut laddaren mot en vanlig nätkontakt.

- ◆ Om nätsladden är skadad måste den, för att undvika risker, bytas ut av tillverkaren eller en auktoriserad BLACK+DECKER-verkstad.

Funktioner

Denna apparat har några eller samtliga av följande funktioner.

1. Strömbrytare
2. Låsknapp
3. Huvudhandtag
4. Sägghuvud
5. Kedjekäpa
6. Svärd
7. Kedja
8. Kedjeskydd
9. Smörjningsflaska
10. Förlängningsrör
11. Batteri

Bild A

12. Laddare

Montering

Varning! Ta ur batteriet innan du sätter ihop verktyget.

Montera och ta bort batteriet (bild B)

- ◆ Sätt i batteriet (11) genom att placera det i linje med kontakten på verktyget. Skjut in batteriet i facket och tryck tills batteriet snäpper på plats.
- ◆ Ta ur batteriet genom att trycka på låsknappen (13) samtidigt som du drar ut batteriet ur facket.

Varning! För att undvika skador till följd av oavsiktlig start bör du kontrollera att batteriet har avlägsnats och att kedjeskyddet sitter på sågkedjan innan du gör nedanstående. Om inte ovanstående rekommendationer följs kan det leda till allvariga personskador.

Montera såghuvudet (fig. C)

Såghuvudet kan monteras direkt på handtaget för normal räckvidd.

- ◆ Rikta in spåret på utsidan av handtagets kopplingsände (3) mot tungan på insidan av såghuvudets (4) kopplingsände. Tryck såghuvudet (4) mot handtaget (3).
- ◆ Skjut kragen (14) nedåt och vrid den medurs tills den är helt åtdragen.

Varning! Kontrollera regelbundet att anslutningarna sitter ordentligt.

Förlänga såghuvudet (fig. D)

Den maximala längden erhålls genom att förlängningsröret (10) monteras mellan såghuvudet (4) och handtaget (3).

- ◆ Rikta in spåret på utsidan av handtagets kopplingsände (3) mot tungan på insidan av kopplingsändan på förlängningsröret (10).
- ◆ Tryck förlängningsröret (10) mot handtaget (3).
- ◆ Skjut kragen (15) nedåt och vrid den medurs tills den är helt åtdragen.
- ◆ Rikta in spåret på utsidan av handtagets förlängningsröret (10) mot tungan på insidan av såghuvudets (4) kopplingsände.
- ◆ Tryck såghuvudet (4) mot förlängningsröret (10).
- ◆ Skjut kragen (14) nedåt och vrid den medurs tills den är helt åtdragen.

Varning! Kontrollera regelbundet att anslutningarna sitter ordentligt.

Ta bort såghuvudet (fig. C och D)

Innan förlängningsröret (10) monteras måste såghuvudet tas bort.

- ◆ Du tar bort såghuvudet (4) genom att placera handtaget (3) på marken, lossa kragen (14) och ta av såghuvudet.

Användning

Varning! Låt verktyget arbeta i sin egen takt.

Överbelasta inte.

Ladda batteriet - figur A

Batteriet måste laddas innan det används för första gången samt varje gång det inte ger tillräckligt hög effekt för arbeten som tidigare klarades av. Batteriet kan bli varmt när det laddas. Det är normalt och innebär inte att något är fel.

Varning! Ladda inte batteriet om temperaturen i luften är lägre än 10 °C eller högre än 40 °C. Den rekommenderade laddningstemperaturen är cirka 24 °C.

Notera: Laddaren laddar inte batteriet om celltemperaturen är lägre än ungefär 10 °C eller högre än 40 °C.

Batteriet får då sitta kvar i laddaren, som kommer att börja laddningen automatiskt när celltemperaturen har stigit eller sjunkit.

- ◆ Vid laddning tar du ut batteriet (11) ur verktyget och sätter det i laddaren (12). Batteriet kan bara placeras i laddaren på ett sätt. Tvinga inte. Se till att batteriet sitter ordentligt i laddaren.
- ◆ Anslut laddaren till vägguttaget och slå på strömmen.
- ◆ Laddningsindikatorn (24) börjar blinka grönt (långsamt). När batteriet är laddat lyser laddningsindikatorn (24) med ett grönt fast sken. Laddaren och batteriet kan lämnas ansluten på obestämd tid med LED lysande. Indikatorn kommer emellanåt att börja blinka grönt (laddningsläge) eftersom laddaren då och då fyller på batteriets laddning. Laddningsindikatorn (24) lyser när batteriet sitter i laddaren och laddaren är ansluten till ett eluttag.
- ◆ Urladdade batterier bör laddas inom 1 vecka. Om batterierna inte laddas när de är urladdade förkortas batterilivslängden avsevärt.

Lämna batteriet i laddaren

Laddaren och batteripaketet kan vara anslutna till vägguttaget hur länge som helst när LED lyser. Laddaren kommer att hålla batteripaketet fräscht och fulladdat.

Laddardiagnostik

Om laddaren upptäcker ett svagt eller skadat batteri börjar laddningsindikatorn (24) att blinka rött i snabb takt. Fortsätt enligt följande:

- ◆ Sätt i batteriet (11) igen.
- ◆ Om laddningsindikatorn fortsätter att blinka rött snabbt kan du använda ett annat batteri för att kontrollera att laddningsprocessen fungerar som den ska.
- ◆ Om det utbyttas batteriet kan laddas utan problem är det gamla batteriet defekt och bör lämnas till ett servicecenter för återvinning.
- ◆ Om problemet kvarstår med det nya batteriet bör du ta med laddaren till ett auktoriserat servicecenter.

Notera: Det kan ta upp till 60 minuter att avgöra om batteriet är defekt. Om batteriet är för hett eller för kallt blinkar indikatorn rött omväxlande snabbt och långsamt med en blinkning i varje hastighet.

Slå på och av (bild E)

Verktyget är för din säkerhet utrustad med dubbla strömbrytare. Det förhindrar att sågen kan startas av misstag.

Starta

- ◆ Skjut låsknappen (2) bakåt med din tumme och tryck samtidigt på strömbrytaren (1).
- ◆ Släpp låsknappen (2).

Stänga av

- ◆ Släpp strömbrytaren (1).

Varning! Försök aldrig låsa eller fixera strömbrytaren i påslaget läge.

Beskrivning (fig. F)

- ◆ Se till att verktyget har full fart innan du börjar såga.
- ◆ Håll verktyget stadigt för att undvika att den gör kast eller flyttar sig åt sidan. Styr sågen genom grenen med ett lätt tryck. När du sågar genom grova grenar och en delvis genomsågning riskerar att splittra och skada trädet gör du följande:
 - ◆ Gör det första skäret 15 cm från trädstammen på grenens undersida. Använd svärdets (6) ovansida för detta skär.
 - ◆ Gör ett skär som motsvarar en tredjedel av grenens diameter. Därefter sågar du uppifrån och ned.

Rengöring, underhåll och förvaring

Det här BLACK+DECKER sladdanslutna/sladdlösa apparaten har konstruerats för att fungera under lång tid med minsta möjliga underhåll. Kontinuerligt tillfredsställande drift beror på ordentlig verktygsvård och regelbunden rengöring.

Varning! Innan något underhåll utförs på sladdanslutna/sladdlösa elverktyg:

- ◆ Stäng av apparaten/verktyget och dra ur nätkontakten.
- ◆ Eller stäng av och ta ut batteriet ur apparaten/verktyget om det finns ett separat batteripaket
- ◆ Eller töm batteriet fullständigt om det är integrerat och stäng sedan av.
- ◆ Dra ut laddaren ur uttaget innan den rengörs. Laddaren behöver inget annat underhåll än regelbunden rengöring.

Rengör regelbundet apparatens/verktygets/laddarens luftintag med en mjuk borste eller torr trasa.

Rengör motorhöljet regelbundet med en fuktig trasa. Använd aldrig något slipande eller lösningsmedelbaserat rengöringsmedel.

Öppna chocken (där sådan finns) med jämna mellanrum och knacka på den för att avlägsna damm som sitter på insidan.

Efter användning och innan förvaring

- ◆ Rengör regelbundet ventilationsöppningarna med en ren och torr målarborste.
- ◆ Använd bara mild tvål och en fuktig trasa för att rengöra verktyget. Låt aldrig någon vätska komma in i verktyget och doppa det aldrig i någon vätska.
- ◆ Avlägsna skräp med en hård borste.
- ◆ Smörj kedjan med olja.

Montera eller ta bort sågkedjan (fig. G och H)

Varning! Använd alltid skyddshandskar när sågkedjan monterats eller tas bort. Kedjan är vass och du kan skära dig även när den inte är i rörelse

- ◆ Lägg verktyget på ett stabilt och stadigt underlag.
 - ◆ Lossa skruvarna (16) med den medföljande insexnyckeln. Ta bort skruvarna.
 - ◆ Ta bort den gamla kedjekåpan (5) och svärdklämman (17).
 - ◆ Vrid skruven (18) moturs så att svärdet (6) dras tillbaka och spänningen på sågkedjan (7) minskas. Ta bort den gamla sågkedjan från kugghjul (19) och svärdet (6).
 - ◆ Lägg den nya sågkedjan i skåran på kedjesvärdet och runt kugghjul (19). Se till så att tänderna pekar i rätt riktning genom att matcha pilen på sågkedjan med pilen på höljet.
 - ◆ Se till att öppningen (20) på svärdet ligger ovanför styrt stiften (21) och att hålet (22) nedanför öppningen ligger ovanför justeringsstiften (23).
 - ◆ Sätt tillbaka kedjekåpan (5) och svärdklämman (17) och skruvarna (16).
 - ◆ Dra åt skruvarna (16) med den medföljande insexnyckeln.
 - ◆ Justera kedjespänningen enligt anvisningarna nedan.
- Kedjan och svärdet bör endast ersättas med originaldelar från Black & Decker för att garantera fortsatt säker drift. Kedja med reservdelnummer A6158 och svärd med reservdelnummer 623381-00.

Kontroll och justering av kedjespänning (fig. G)

- ◆ Kontrollera kedjespänningen. Kedjan (7) är rätt spänd när den snäpper tillbaka efter att du dragit ut den 3 mm från svärdet med lätt kraft med långfinger och tummen. Sågkedjan (7) ska inte "hänga ned" från svärdet (6) på undersidan. Justera spänningen:
 - ◆ Lossa skruvarna (16).
 - ◆ Vrid skruven (18) medurs.

Varning! Spänn inte kedjan för hårt eftersom det ger ökad förlitning och kommer att minska svärdets och kedjans livslängd.

- ◆ Dra åt skruvarna (16) när kedjan är rätt spänd.

Varning! Kontrollera kedjespänningen ofta under de två första timmarna när sågen används första gången eftersom en ny kedja sträcks något.

Smörjning av kedjan

Sågkedjan måste smörjas innan varje användning samt efter rengöring med rätt sorts olja (kat.nr. A6027).

- ◆ Smörj hela sågkedjan (7) med hjälp av applikatorn (9).

Förvaring

Du bör låta batteriet sitta kvar i laddaren när sågen inte ska användas under längre tid (månader).

I annat fall gör du följande:

- ◆ Ladda batteriet fullt.
- ◆ Ta ut batteriet ur verktyget.
- ◆ Förvara verktyget och batteriet på en säker och torr plats.
- ◆ Temperaturen i förvaringsutrymmet måste alltid ligga mellan +10 °C och +40 °C. Placera batteriet på en plan yta.
- ◆ Ladda batteriet fullt innan du använder verktyget efter att det legat oanvänt under en längre tid.

Skydda miljön



Separat insamling. Produkter och batterier som är markerade med denna symbol får inte kastas i de vanliga hushållssoporna.

Produkter och batterier innehåller material som kan återanvändas eller återvinnas för att minska behovet av råmaterial. Återvinn elektriska produkter och batterier enligt lokala bestämmelser. Närmare information finns tillgänglig på www.2helpU.com

Tekniska data

		GPC1820L H1	PS1820ST1 H1
Spänning	V _{DC}	18	18
Kedjehastighet utan belastning	min ⁻¹	190	190
Max. skärlängd	cm	17	17
Chuckkapacitet	mm	13	13
Vikt	kg	3,5	3,5

		BL2018	BL2018ST
Batteri			
Spänning	V _{DC}	18	18
Kapacitet	Ah	2	2
Typ		Li-jon	Li-jon

		905902** (Typ 1)	906349**
Laddare			
Inspänning	V _{DC}	100 - 240	200-240
Utspänning	Ah	8 - 20	8-20
Utström	mA	400	1000

Ljudtrycksnivå enligt EN 60745:	
Ljudtryck (L _{pa})	78 dB(A), osäkerhet (K) 3 dB(A)
Ljudtryck (L _{wa})	98 dB(A), osäkerhet (K) 3 dB(A)

Totala vibrationsvärden (vektorsumman av tre axlar) enligt EN 60745:

Sågning i mjukt, färskt trä (a_{h,v}) = <2,5 m/s² osäkerhet (K) 1,5 m/s²

EG-deklaration om överensstämmelse MASKINDIREKTIVET



GPC1820L, PS1820ST1 - sladdlös grensåg

Black & Decker garanterar att produkterna som beskrivs under "tekniska data" uppfyller:

2006/42/EG, EN 60745-1:2009 +A11:2010,
EN 60745-2-15:2009 +A1:2010

De här produkterna överensstämmer även med direktiven 2014/30/EU och 2011/65/EU. Mer information får du genom att kontakta Black & Decker på följande adress eller titta i slutet av bruksanvisningen.

Undertecknad är ansvarig för sammanställningen av den tekniska filen och lämnar denna deklaration på Black & Deckers vägnar.

R. Laverick
Engineering Manager
Black & Decker Europe, 210 Bath Road, Slough
Berkshire, SL1 3YD
Storbritannien
21/11/2016

Garanti

Black & Decker är säkra på kvaliteten hos denna produkt och erbjuder kunder 24 månaders garanti från inköpsdatumet. Garantin gäller utöver konsumentens rättigheter enligt lag och påverkar inte dessa. Garantin är giltig i de områden som tillhör medlemsstaterna i Europeiska unionen och det europeiska frihandelsområdet.

För yrkande under garantin måste yrkandet vara i enlighet med Black&Deckers villkor och du kommer att behöva skicka in bevis på köpet till försäljaren eller en auktoriserad reparatör. Villkoren för Black & Deckers tvååriga garanti och var du hittar din närmaste auktoriserade reparatör kan erhållas på internet på www.2helpU.com, eller genom att kontakta ditt lokala Black & Decker-kontor på adressen som angetts i denna manual.

Besök vår webbplats www.blackanddecker.se för att registrera din nya Black & Decker-produkt samt för att få information om nya produkter och specialerbjudanden.

Tiltent bruk

Batteridrevet beskæringssaks BLACK+DECKER GPC1820L, PS1820ST1 er konstruert for å beskære trær. Dette verktøyet er bare ment som et forbrukerverktøy.

Laderen fra BLACK+DECKER er utformet for å lade BLACK+DECKER batterier av den typen som følger med dette verktøyet.

Sikkerhetsinstruksjoner

Generelle sikkerhetsadvarsler for elektroverktøy



Advarsel! Les alle sikkerhetsadvarsler og alle instruksjoner. Hvis advarslene og anvisningene nedenfor ikke overholdes, kan det medføre elektrisk støt, brann og/eller alvorlige personskader.

Ta vare på alle advarsler og instruksjoner for fremtidig bruk. Uttrykket "elektroverktøy" i alle advarslene nedenfor gjelder for strømdrevne elektroverktøy (med ledning) og batteridrevne elektroverktøy (uten ledning).

1. Sikkerhet i arbeidsområdet

- Hold arbeidsområdet rent og godt opplyst.** Rotete eller mørke områder er en invitasjon til ulykker.
- Ikke arbeid med elektroverktøy i eksplosjonsfarlige omgivelser, for eksempel der det befinner seg brennbare væsker, gass eller støv.** Elektrisk verktøy skaper gnister som kan antenne støv eller gasser.
- Hold barn og andre personer unna når du bruker et elektroverktøy.** Distraksjoner kan føre til at du mister kontrollen.

2. Elektrisk sikkerhet

- Støpselet til verktøyet må passe til stikkkontakten. Aldri modifier støpselet på noen måte. Ikke bruk adapterstøpsler til jordede elektriske verktøy.** Umodifiserte støpsler og stikkontakter som passer vil redusere risikoen for elektrisk sjokk.
- Unngå kroppskontakt med jordede overflater som rør, radiatorer, komfyrer og kjøleskap.** Det er økt risiko for elektrisk støt dersom kroppen din er jordat.
- Ikke utsett elektroverktøy for regn eller fuktighet.** Dersom det kommer vann inn i et elektrisk verktøy vil det øke risikoen for elektrisk sjokk.
- Unngå uforsvarlig behandling av ledningen. Aldri bruk ledningen til å bære, trekke eller dra ut støpselet til det elektriske verktøyet. Hold ledningen borte fra varme, olje, skarpe kanter eller bevegelige deler. Skadede eller innviklede ledninger øker risikoen for elektrisk sjokk.**

- Når du bruker et elektroverktøy utendørs, må du bruke en skjøteledning som er egnet til utendørs bruk.** Bruk av en skjøteledning beregnet for utendørs bruk reduserer risikoen for elektrisk støt.
- Hvis du ikke kan unngå å bruke elektroverktøy på et fuktig sted, må du bruke en strømforsyning som er beskyttet med jordfeilbryter.** Bruk av jordfeilbryter (RCD) reduserer risikoen for elektrisk sjokk.

3. Personssikkerhet

- Vær oppmerksom, pass på hva du gjør, og vis fornuft når du arbeider med et elektroverktøy. Ikke bruk et elektrisk verktøy dersom du er trøtt eller er påvirket av medikamenter, narkotika eller alkohol.** Ett øyeblikks uoppmerksomhet under bruk av elektriske verktøy kan føre til alvorlig personskade.
 - Bruk personlig verneutstyr. Bruk alltid vernebriller.** Verneutstyr slik som støvmaske, sklisikre vernesko, hjelm, eller hørselsvern brukt under passende forhold vil redusere personskader.
 - Forhindre utilsiktet start. Kontroller at bryteren står i posisjon "av" før du kobler til strømkilden og/eller batteripakken, og før du tar opp eller bærer verktøyet.** Å bære elektriske verktøy med fingeren på bryteren eller å sette inn støpselet mens elektriske verktøy har bryteren på øker faren for ulykker.
 - Fjern eventuelt innstillingsverktøy eller skruverktøy før du slår på elektroverktøyet.** Et skruverktøy eller en nøkkel som fortsatt er festet til en roterende del av elektroverktøyet, kan føre til personskade.
 - Ikke strekk deg for langt. Ha godt fotfeste og stå støtt hele tiden.** Dette fører til at du har bedre kontroll over det elektriske verktøyet ved uventede situasjoner.
 - Bruk egnede klær. Ikke ha på deg løstsittende klær eller smykker. Hold hår, antrekk og hansker borte fra bevegelige deler.** Løstsittende klær, smykker og langt hår kan bli fanget opp av bevegelige deler.
 - Hvis det kan monteres støvavsug- og oppsamlingsinnretninger, må du forvisse deg om at disse er tilkoblet og brukes på riktig måte.** Bruk av støvoppsamlere kan redusere støvrelaterte farer.
- #### 4. Bruk og behandling av elektroverktøy
- Ikke bruk makt på elektroverktøyet. Bruk det elektriske verktøyet som situasjonen krever.** Det riktige elektriske verktøyet vil gjøre jobben bedre og tryggere ved den hastigheten det ble konstruert for.
 - Ikke bruk elektroverktøyet hvis du ikke kan slå det på og av med bryteren.** Ethvert elektrisk verktøy som ikke kan kontrolleres med bryteren er farlig og må repareres.

- c. **Trek støpselet ut av stikkkontakten og/eller koble fra batteripakken på elektroverktøyet før du utfører innstillinger, bytter tilbehør eller legger elektroverktøyet bort for lagring.** Slike preventive sikkerhetsforanstaltninger reduserer risikoen for å starte det elektriske verktøyet ved et uhell.
 - d. **Elektroverktøy som ikke er i bruk, må oppbevares utilgjengelig for barn. Ikke la verktøyet bli brukt av personer som ikke er fortrolige med det, eller som ikke kjenner disse instruksjonene.** Elektriske verktøy er farlige i hendene på utrenede brukere.
 - e. **Sørg for vedlikehold av elektroverktøy. Undersøk om bevegelige deler er feiljustert eller blokkert, om deler er skadet, og om det er andre forhold som påvirke elektroverktøets funksjon. Dersom det er skadet, få verktøyet reparert før neste bruk.** Mange ulykker forårsakes av dårlig vedlikeholdte verktøy.
 - f. **Hold skjæreverktøy skarpe og rene.** Godt vedlikeholdte skjæreverktøy med skarpe skjærekanter setter seg mindre sannsynlig fast og er lettere å kontrollere.
 - g. **Bruk elektroverktøy, tilbehør, bits osv. i henhold til disse instruksjonene. Ta hensyn til arbeidsforholdene og arbeidet som skal utføres.** Bruk av det elektriske verktøyet for oppgaver som er forskjellige fra de som er tiltenkt kan føre til en farlig situasjon.
5. **Bruk og stell av batteriverktøy**
 - a. **Ladningen skal bare skje med den laderen som produsenten har spesifisert.** En lader som passer for en type batteripakke kan føre til risiko for brann dersom den brukes på en annen batteripakke.
 - b. **Bruk elektroverktøy bare sammen med spesifikt angitte batteripakker.** Bruk av andre batteripakker kan føre til risiko for personskade og brann.
 - c. **Når batteripakken ikke er i bruk, må du oppbevare den atskilt fra andre metallgjenstander som binders, mynter, nøkler, spiker, skruer eller andre små metallgjenstander som kan opprette en forbindelse fra en terminal til en annen.** Kortslutning av batteripolene mot hverandre kan føre til brannskader eller brann.
 - d. **Ved feilaktig bruk kan det komme væske ut av batteriet, unngå kontakt med den. Dersom du kommer i kontakt med den, skyl av med vann. Dersom du får væsken i øynene, søk legehjelp.** Væske som kommer ut av batteriet kan føre til irritasjon eller brannskader.
 6. **Service**
 - a. **Elektroverktøyet skal repareres av kvalifisert personell og bare med originale reservedeler.** Dette vil sikre at verktøyet sikkerhet blir ivaretatt.

Ytterligere sikkerhetsadvarsler for elektroverktøy



Advarsel! Ytterligere sikkerhetsadvarsler for batteridrevne drillere og skrutrekke

- ◆ **Bruk hørselsvern ved slagboring. Å bli utsatt for støv kan forårsake hørselstap**
- ◆ **Bruk hjelpehåndtak som følger med verktøyet.** Å miste kontroll kan forårsake personskade.
- ◆ **Hold elektroverktøyet i de isolerte håndtakene når du utfører et arbeid der skjæretilbehøret kan komme i kontakt med skjulte ledninger.** Kapping av en strømførende ledning kan føre til at eksponerte metalldele på elektroverktøyet blir strømførende, og kan gi operatøren støt.
- ◆ **Hold elektroverktøyet i de isolerte grepene når du utfører arbeid der festeanordningen kan komme i kontakt med skjulte ledninger.** Skruer som kommer i kontakt med en strømførende ledning kan føre til at eksponerte metalldele på elektroverktøyet blir strømførende, og kan gi brukeren støt.
- ◆ **Bruk klemmer eller en annen praktisk måte å feste og støtte arbeidsstykket på en stabil plattform.** Å holde arbeidsstykket i hendene eller mot kroppen er ustabil og kan føre til at du mister kontroll.
- ◆ **Før du borer i vegger, gulv eller tak, må du kontrollere plasseringen av kabler og rør.**
- ◆ **Unngå å komme i berøring med spissen på et bor rett etter boring, da den kan være varm.**
- ◆ **Bruksområdet er beskrevet i denne bruksanvisningen.** Hvis du bruker annet tilbehør, kobler til annet utstyr eller bruker dette produktet til andre oppgaver enn det som er anbefalt i denne håndboken, kan det medføre fare for personskader og/eller skade på eiendom.

Andre personers sikkerhet

- ◆ Dette apparatet kan brukes av barn som er 8 år eller eldre, samt av personer som har reduserte fysiske, sansesmessige eller mentale evner, eller som mangler erfaring og kunnskap. Hvis de har tilsyn eller har fått veiledning i bruk av apparatet på en trygg måte og forstår farene som foreligger.
- ◆ Barn skal ikke leke med apparatet. Rengjøring og brukervedlikehold skal ikke utføres av barn uten tilsyn.

Restrisikoer

Når verktøyet brukes, kan det oppstå ytterligere risikoer som kanskje ikke er beskrevet i de medfølgende sikkerhetsadvarslene. Disse risikoene kan bli forårsaket av feil bruk, langvarig bruk osv.

Selv om de relevante sikkerhetsbestemmelsene blir fulgt, og sikkerhetstiltakene blir gjennomført, kan visse gjenværende risikoer ikke unngås. Disse inkluderer:

- ◆ Personskader som forårsakes av berøring av en roterende/bevegelig del.
- ◆ Personskader som forårsakes av at en del, et blad eller tilbehør endres.
- ◆ Personskader som skyldes for lang tids bruk av verktøyet. Når du bruker et verktøy i lange perioder, må du sørge for å ta regelmessige pauser.
- ◆ Hørselskader.
- ◆ Helsefare som forårsakes av innånding av støv som dannes når du bruker verktøyet (eksempel: arbeid med tre, spesielt eik, bøk og MDF)

Vibrasjon

Vibrasjonsemissionsverdien som er angitt under tekniske data og samsvarserklæring, er blitt målt i henhold til en standard testmetode som er angitt i EN 60745, og kan brukes til å sammenligne et verktøy med et annet. Den oppgitte vibrasjonsemissionsverdien kan også brukes til en foreløpig vurdering av eksponering.

Advarsel! Vibrasjonsemissionsverdien under faktisk bruk av elektroverktøyet kan avvike fra den oppgitte verdien avhengig av måten verktøyet blir brukt på. Vibrasjonsnivået kan øke over nivået som er oppgitt.

Når det vurderes vibrasjonseksponering for å avgjøre hvilke sikkerhetstiltak som kreves ifølge 2002/44/EF, for å beskytte personer som bruker elektroverktøy regelmessig til arbeidsformål, skal det, når vibrasjonseksponeringen anslås, tas hensyn til de faktiske bruksforholdene og måten verktøyet blir brukt på. Dette inkluderer å ta hensyn til alle deler av brukssyklusen, for eksempel når verktøyet er avslått, når det går på tomgang og når utløseren er trykket inn.

Beskjæring

Før du forsøker å beskjære et tre, må du undersøke at det ikke er noen lokale lover eller bestemmelser som forbyr eller regulerer trefellingene.

- ◆ Vær oppmerksom på hvilke retninger en gren kan falle i. Vurder alle forhold som kan ha innvirkning på fallretningen, inkludert:
 - ◆ Lengden og vekten av den grenen som skal sages av.
 - ◆ Den tiltenkte fallretningen.
 - ◆ Eventuelle uvanlig tunge grener eller råtne deler.
 - ◆ Trær i nærheten og andre hindringer,
 - ◆ inkludert ledninger i luften.
 - ◆ Sammenfiltring med andre grener.
 - ◆ Hastigheten og retningen til vinden.
- ◆ Vurder tilgangen til grenen.

Grener vil kunne falle inn mot trestammen. I tillegg til brukeren risikerer eventuelle personer, bygninger eller gjenstander under grenen å bli truffet av denne.

Etiketter på verktøyet

Følgende advarselssymboler vises på verktøyet sammen med datokoden:



Advarsel! Brukeren må lese håndboken for å redusere risikoen for personskade.



Hold verktøyet unna regn eller høy fuktighet.



Vær oppmerksom på fallende gjenstander. Hold andre personer unna.



Fare for dødelig elektrisk støt. Må holdes minst 10 m unna elektriske ledninger i luften.



Bruk alltid hode- og øyeskytelse.



Bruk alltid skisikkert fottøy.



Du sikrer kontinuerlig sikker bruk ved å kontrollere kjedestrammingen hvert tiende minutt og justere tilbake til klaring på 3 mm etter behov – som beskrevet i denne bruksanvisningen. Smør kjedet med olje hvert 10. minutt under bruk.



Kjedens bevegelsesretning.



Advarsel! Ikke berør kjedet i sponutslipp-sområdet.

Ytterligere sikkerhetsinstruksjoner for batterier og ladere

Batterier

- ◆ Forsøk aldri å åpne av noen årsak.
- ◆ Ikke utsett batteriet for vann.
- ◆ Ikke oppbevar det på steder hvor temperaturen kan komme over 40 °C.
- ◆ Lad bare ved temperaturer mellom 10 °C og 40 °C.
- ◆ Bruk bare laderen som følger med verktøyet.
- ◆ Følg instruksjonene i avsnittet "Miljøvern" når du skal kaste batterier.
- ◆ Ikke skad eller deformer batteripakken ved punktering eller støt, da dette kan føre til risiko for personskade og brann.
- ◆ Du må ikke lade skadede batterier.
- ◆ Under ekstreme forhold kan batterilekkasje forekomme. Hvis du oppdager at det er væske på batteriene, tørk du bort væsken forsiktig med en klut. Unngå kontakt med huden.
- ◆ Hvis væsken kommer i kontakt med huden eller øynene, følger du instruksjonene under.

Advarsel! Batterivæsken kan føre til personskade eller skade på eiendom. Ved hudkontakt skyller du umiddelbart med vann. Hvis huden blir rød eller irritert eller smerter inntreffer, søk øyeblikkelig medisinsk hjelp. Hvis væsken kommer i kontakt med øynene, skyller du umiddelbart med rent vann og søker øyeblikkelig medisinsk hjelp.

Ladere

Laderen er konstruert for en bestemt spenning. Kontroller alltid at nettspenningen er i overensstemmelse med spenningen på typeskiltet.

- ◆ Bruk bare BLACK+DECKER-laderen til å lade batteriet i apparatet som laderen ble levert sammen med. Andre batterier kan sprekke og føre til personskade og materiell skade.
- ◆ Prøv aldri å lade ikke-oppladbare batterier.
- ◆ Skift ut defekte ledninger umiddelbart.
- ◆ Ikke utsett laderen for vann.
- ◆ Ikke åpne laderen.
- ◆ Ikke stikk gjenstander eller fingre inn i laderen.
- ◆ Laderen må plasseres på et sted med god gjennomlufting når det lades.

Symboler på laderen

Du finner følgende symboler på laderen:



Laderen er bare beregnet for innendørs bruk.



Les denne håndboken før bruk.

Elektrisk sikkerhet



Denne laderen er dobbeltisolert. Jording er derfor ikke nødvendig. Kontroller alltid at nettspenningen er i overensstemmelse med spenningen på typeskiltet. Ikke skift ut laderen med et vanlig nettstøpsel.

- ◆ Hvis strømledningen blir skadet, må den byttes av produsenten eller et autorisert BLACK+DECKER-service-senter for å unngå fare.

Funksjoner

Dette apparatet har noen av eller alle funksjonene nedenfor.

1. På-/av-bryter
2. Låseknapp
3. Hovedhåndtak
4. Saghode
5. Tannhjulsdeksel
6. Sverd
7. Kjede
8. Sverdbeskyttelse

9. Smøringsflaske
10. Forlengerrør
11. Batteri

Figur A

12. Lader

Montering

Advarsel! Fjern batteriet fra verktøyet før montering.

Sette inn og ta ut batteriet (figur B)

- ◆ Når du skal sette inn batteriet (11), holder du det på linje med kontakten på verktøyet. Skyv batteriet inn i kontakten til det klikker på plass.
- ◆ Når du skal ta ut batteriet, trykker du på utløserknappene (13) og trekker samtidig batteriet ut av kontakten.

Advarsel! For å forebygge at sagen starter ved et uhell må du passe på at batteriet er tatt ut og sverdbeskyttelsen er satt på kjeden før du utfører de følgende aktivitetene. Hvis du ikke gjør dette, kan det føre til alvorlig personskade.

Montere saghodet (figur C)

Saghodet kan settes direkte på håndtaket for å gi standard rekkevidde.

- ◆ Plasser sporet på utsiden av koblingsenden av håndtaket (3) med tungen på innsiden av koblingsenden av saghodet (4). Skyv saghodet (4) inn på håndtaket (3).
- ◆ Skyv kragen (14) ned og dreii den med klokken til den er helt strammet.

Advarsel! Kontroller koblingene regelmessig for å sikre at de er strammet og sikre.

Utvide saghodet (figur D)

Maksimal rekkevidde kan nås ved å sette forlengerrøret (10) mellom saghodet (4) og håndtaket (3).

- ◆ Plasser sporet på utsiden av koblingsenden av håndtaket (3) med tungen på innsiden av koblingsenden av forlengerrøret (10).
- ◆ Skyv forlengerrøret (10) inn på håndtaket (3).
- ◆ Skyv kragen (15) ned og dreii den med klokken til den er helt strammet.
- ◆ Plasser sporet på utsiden av koblingsenden av forlengerrøret (10) med tungen på innsiden av koblingsenden av saghodet (4).
- ◆ Skyv saghodet (4) inn på forlengerrøret (10).
- ◆ Skyv kragen (14) ned og dreii den med klokken til den er helt strammet.

Advarsel! Kontroller koblingene regelmessig for å sikre at de er strammet og sikre.

Fjerne saghodet (figur C og D)

Hvis forlengerrøret (10) er satt på, må saghodet fjernes først.

- ◆ Når du skal ta av saghodet (4), hviler du håndtaket (3) på bakken, løsner kragen (14) og tar av saghodet.

Bruk

Advarsel! La verktøyet arbeide i sin egen hastighet.

Må ikke overbelastes.

Lading av batteriet - figur A

Batteriet må lades før første gang det brukes, og hver gang det ikke lenger gir nok strøm til oppgaver som tidligere ble utført uten problemer. Batteriet kan bli varmt under lading.

Dette er normalt og innebærer ikke feil.

Advarsel! Ikke lad batteriet ved omgivelsestemperaturer under 10 °C eller over 40 °C. Anbefalt ladetemperatur er ca. 24 °C.

Merk: Laderen vil ikke lade et batteri hvis celletemperaturen er under ca. 10 °C eller over 40 °C.

Du bør la batteriet stå i laderen. Laderen begynner å lade automatisk når celletemperaturen blir høyere eller lavere.

- ◆ Når du skal lade batteriet (11), tar du det ut av verktøyet og setter det inn i laderen (12). Batteriet kan bare settes i laderen på én måte. Ikke bruk kraft. Pass på at batteriet sitter helt inne i laderen.
- ◆ Sett i laderen, og slå på ved strømmen.
- ◆ Ladeindikatoren (24) blinker grønt kontinuerlig (langsomt). Ladingen er fullført når ladeindikatoren (24) lyser grønt kontinuerlig. Lader og batteri kan være fortsatt tilkoblet når LED-lampen lyser. LED-lyset begynner å blinke grønt (lader) når laderen av og til "fyller på" batteriet. Ladeindikatoren (24) lyser så lenge batteriet er tilkoblet laderen, og denne er koblet til strømmen.
- ◆ Lad utladede batterier innen 1 uke. Batterienes levetid blir mye kortere hvis de oppbevares utladet.

La batteriet være i laderen

Laderen og batteripakken kan være tilkoblet så lenge du vil mens LED-lampen lyser. Laderen vil holde batteriet godt og fullstendig oppladet.

Laderdiagnose

Hvis laderen oppdager et svakt eller skadet batteri, blinker ladeindikatoren (24) rødt med rask takt. Gå frem som følger:

- ◆ Sett inn batteriet (11) på nytt.
- ◆ Hvis ladeindikatoren fortsetter å blinke rødt i rask takt, må du bruke et annet batteri for å finne ut om ladeprosessen fungerer som den skal.
- ◆ Hvis den nye batteripakken lades korrekt, er den opprinnelige batteripakken defekt og bør leveres til et service-senter for resirkulering.

- ◆ Hvis det nye batteriet gir samme indikasjon som det opprinnelige batteriet, bringer du laderen til et autorisert service-senter.

Merk: Det kan ta så mye som 60 minutter å avgjøre om batteriet er defekt. Hvis batteriet er for varmt eller for kaldt, blinker LED-lampen rødt vekslende raskt og langsomt, ett blink ved hver hastighet med gjentagelse.

Slå på og av (fig. E)

Av hensyn til din sikkerhet er dette verktøyet utstyrt med et dobbelt brytersystem. Dette systemet hindrer at verktøyet startes ved et uhell.

Slå på

- ◆ Trykk på utløserknappen (2) bakover ved å bruke tom-melen og trekk samtidig strømbryteren (1) mot deg.
- ◆ Slipp utløserknappen (2).

Slå av

- ◆ Slipp av/på-knappen (1).

Advarsel! Ikke prøv å låse en bryter i stillingen "på".

Beskjære (figur F)

- ◆ Kontroller at verktøyet har nådd full hastighet før du kutter.
- ◆ Hold verktøyet fast for å unngå mulig hopping eller sidelengs bevegelser av verktøyet. Før verktøyet gjennom grenen med et lett trykk. Når du kutter tunge grener der et delvis kutt kan føre til splintring og skade treet, går du frem slik:
 - ◆ Gjør det første kuttet 15 cm fra trestammen på undersiden av grenen. Bruk toppen av sverdet (6) for å ta dette kuttet.
 - ◆ Kutt gjennom en tredjedel av diameteren på greinen. Kutt deretter fra toppen og nedover.

Rengjøring, vedlikehold og oppbevaring

BLACK+DECKER-apparatet/verktøyet med ledning/batteri er laget for å brukes over lang tid med et minimum av vedlikehold. For at den skal fungere tilfredsstillende over tid, er det viktig å sørge for riktig stell av verktøyet og regelmessig renhold.

Advarsel! Før du utfører vedlikehold på elektriskdrevet/batteridrevet elektroverktøy:

- ◆ Slå av apparatet/verktøyet og trekk ut støpselet.
- ◆ Eller slå av apparatet/verktøyet og fjern batteriet fra dette hvis apparatet/verktøyet har separat batteripakke.
- ◆ Eller la batteriet gå helt tomt hvis det er innebygd, og slå deretter av.
- ◆ Trekk ut laderen fra stikkkontakten før du rengjør den. Laderen krever ikke annet vedlikehold enn regelmessig rengjøring.

Rengjør ventilasjonsåpningene i apparatet/verktøyet/laderen jevnlig med en myk børste eller tørr klut.

Rengjør motorhuset jevnlig med en fuktig klut. Ikke bruk slipende eller løsemiddelbaserte rengjøringsmidler.

Åpne chucken regelmessig, og bank på den for å fjerne eventuelt støv fra innsiden (hvis det er aktuelt).

Etter bruk og før oppbevaring

- ◆ Rengjør ventilasjonssporene regelmessig med en ren, tørr malerkost.
- ◆ Rengjør verktøyet bare med mild såpe og en fuktig klut. La det aldri komme væske inn i verktøyet og senk aldri noen deler av verktøyet ned i væske.
- ◆ Fjern rusk med en hard børste.
- ◆ Smør kjedet med olje.

Sette på og ta av sagkjeden (figur G og H)

Advarsel! Bruk alltid vernehansker når du setter på eller tar av sagkjeden. Sagkjeden er skarp og kan kutte deg selv om den ikke er i bevegelse

- ◆ Sett verktøyet på en fast og stabil overflate.
- ◆ Løse skruene (16) med unbrakonøkkelen som følger med. Ta ut skruene.
- ◆ Ta av tannhjuldekslet (5) og sverdklemmen (17).
- ◆ Drei skruen (18) mot klokken for å la sverdet (6) trekke seg tilbake og redusere strammingen i sagkjeden (7).
- ◆ Fjern den gamle sagkjeden fra tannhullet (19) og sverdet (6).
- ◆ Plasser den nye sagkjeden i sporet på sverdet og rundt tannhullet. Pass på at tennene vender i riktig retning ved å matche pilen på sagkjeden med pilen på huset.
- ◆ Pass på at sporet (20) i sverdet er over styrepinnene (21), og at hullet (22) under sporet er plassert over justeringsspinnen (23).
- ◆ Sett på tannhjuldekslet (5), sverdklemmen (17) og skruene (16) igjen.
- ◆ Trekk til skruene (16) med unbrakonøkkelen som følger med.
- ◆ Juster kjedestrømmingen som beskrevet nedenfor.

Kjeden og sverdet må bare erstattes med originale Black & Decker-deler for å sikre varig trygg drift. Reservekjeden har delenummer A6158 og reservesverdet 623381-00.

Kontrollere og justere kjedestrømmingen (figur G)

- ◆ Kontroller kjedestrømmingen. Strammingen er korrekt når kjedet (7) spretter tilbake på plass når den blir trukket 3 mm ut fra sverdet ved bruk av liten kraft med langfingeren og tommelen. Det skal ikke være noe "heng" mellom sverdet (6) og sagkjedet (7) på undersiden.

Slik justerer du strammingen:

- ◆ Løse skruene (16).
- ◆ Vri skruen (18) med klokken.

Advarsel! Ikke stram kjeden for mye, da dette vil føre til for stor slitasje, noe som reduserer levetiden for sverdet og kjeden.

- ◆ Når kjedestrømmingen er korrekt, skrur du til skruene (16).

Advarsel! Når kjeden er ny, må du kontrollere strammingen ofte de to første timene du bruker den, da en ny kjede strekker seg litt.

Smøre kjedet

Sagkjeden må smøres før hver gangs bruk og etter rengjøring. Bruk bare korrekt oljetype (katalognummer A6027).

- ◆ Smør hele sagkjedet (7) jevnt med applikatoren (9).

Lagring

Når verktøyet ikke skal brukes på flere måneder, skal helst batteriet være koblet til laderen.

Ellers går du frem slik:

- ◆ Lad batteriet fullstendig.
- ◆ Ta batteriet ut av verktøyet.
- ◆ Oppbevar verktøyet og batteriet på et sikkert og tørt sted.
- ◆ Oppbevaringstemperaturen må alltid være mellom +10°C og +40°C. Plasser batteriet på et plant sted.
- ◆ Før du bruker verktøyet etter lang tids oppbevaring, lader du batteriet fullstendig igjen.

Miljøvern



Separat avfallshåndtering. Produkter og batterier merket med dette symbolet skal ikke kastes i vanlig husholdningsavfall.

Produkter og batterier inneholder materialer som kan gjenbrukes eller gjenvinnes for å redusere behovet for nye råmaterialer. Vennligst lever elektrisk utstyr og batterier til gjenbruk i henhold til lokale regler. Mer informasjon finner du på www.2helpU.com

Tekniske data

		GPC1820L H1	PS1820ST1 H1
Spenning	V _{DC}	18	18
Kjedehastighet uten belastning	min ⁻¹	190	190
Maks. skjærelengde	cm	17	17
Chuck kapasitet	mm	13	13
Vekt	kg	3,5	3,5

		BL2018	BL2018ST
Batteri			
Spenning	V _{DC}	18	18
Kapasitet	Ah	2	2
Type		Li-Ion	Li-Ion

Lader		905902** (type 1)	906349**
Inngangsspenning	V_{DC}	100 - 240	200-240
Utgangsspenning	Ah	8 - 20	8-20
Utgangsstrøm	mA	400	1000

Lydtrykknivå i henhold til EN 60745:			
Lydtrykk (L_{pA})	78 dB(A), usikkerhet (K) 3 dB(A)		
Lydeffekt (L_{WA})	98 dB(A), usikkerhet (K) 3 dB(A)		

Totale vibrasjonsverdier (vektorsum fra tre retninger) bestemt i samsvar med EN 60745:	
Kutting av nylig felt bløtt tre (a_{wv})	= $2,5 \text{ m/s}^2$ usikkerhet (K) 1,5 m/s^2

EU-samsvarserklæring

MASKINERIDIREKTIV



GPC1820L, PS1820ST1 - batteridrevet beskæringssaks

Black & Decker erklærer at disse produktene, som er beskrevet under «tekniske data», er i samsvar med:
2006/42/EC, EN 60745-1:2009 +A11:2010,
EN 60745-2-15:2009 +A1:2010

Disse produktene er også i samsvar med direktiv 014/30/EU og 2011/65/EU. Hvis du ønsker mer informasjon, kan du kontakte Black & Decker på adressen nedenfor eller se baksiden av bruksanvisningen.

Undertegnede er ansvarlig for sammenstillingen av den tekniske filen og fremsetter denne erklæringen på vegne av
Black & Decker.

R. Laverick
Engineering Manager
Black & Decker Europe, 210 Bath Road, Slough,
Berkshire, SL1 3YD
Storbritannia
21/11/2016

Garanti

Black & Decker er trygg på kvaliteten av produktene sine og tilbyr en 24 måneders garanti fra kjøpsdato. Denne garantierklæringen kommer i tillegg til dine lovbestemte rettigheter og er ikke i konflikt med disse. Garantien er gyldig innen områdene tilhørende medlemslandene i den Europeiske Union (EU) og det Europeiske Frihandelsområdet (EFTA). For å ta garantien i bruk må kravet være i samsvar med kjøpsbetingelsene fra Black&Decker og du må vise kjøpskvittering til forhandleren eller til et autorisert serviceverksted.

Betingelsene for Black&Deckers 2 års garanti og adressen til din nærmeste autoriserte serviceverksted kan du finne på internett under www.2helpU.com, eller ved å kontakte ditt lokale Black & Decker kontor, adressen er angitt i denne bruksanvisningen.

Besøk våre nettsider på www.blackanddecker.no for å registrere ditt nye Black & Decker-produkt og for å få informasjon om nye produkter og spesialtilbud.

Tilsigtet brug

Din BLACK+DECKER GPC1820L-, PS1820ST1-beskæringssav uden ledning er designet til beskæring af træer. Værktøjet er kun beregnet til privat brug. Din BLACK+DECKER-lader er udviklet til opladning af BLACK+DECKER-batterier af den type, der følger med dette værktøj.

Sikkerhedsinstruktioner

Generelle sikkerhedsadvarsler vedrørende elværktøj



Advarsel! Læs alle sikkerhedsadvarsler og alle instruktioner. Hvis nedenstående advarsler og instruktioner ikke følges, er der risiko for elektrisk stød, brand og alvorlige kvæstelser.

Gem alle advarsler og instruktioner til senere brug.

Begrebet "elværktøj", der benyttes i nedenstående advarsler, henviser til netdrevet elværktøj (med netledning) eller batteridrevet elværktøj (uden netledning).

1. Sikkerhed i arbejdsområdet

- Hold arbejdsområdet rent og ordentligt oplyst.** Rodede eller mørke områder giver anledning til ulykker.
- Brug ikke elværktøj i eksplosive omgivelser, f.eks. hvor der er brændbare væsker, gasser eller støv.** Elværktøj danner gnister, der kan antænde støv eller dampe.
- Hold børn og omkringstående på afstand, når der arbejdes med elværktøj.** Distractioner kan medføre, at du mister kontrollen.

2. Elektricitet og sikkerhed

- Elværktøjets stik skal passe til kontakten. Stikket må aldrig modificeres på nogen måde. Undlad at bruge adapterstik sammen med jordforbundet elektrisk værktøj.** Umodificerede stik og dertil passende stikkontakter reducerer risikoen for elektrisk stød.
- Undgå kropskontakt med jordforbundne overflader som f.eks. rør, radiatorer, komfurer og køleskabe.** Der er øget risiko for elektrisk stød, hvis din krop er jordforbundet.
- Udsæt ikke elværktøj for regn, og brug det ikke, hvor omgivelserne er våde.** Hvis der trænger vand ind i et elektrisk værktøj, øges risikoen for elektrisk stød.
- Pas på, at ledningen ikke beskadiges. Brug aldrig ledningen til at bære, trække værktøjet eller trække det ud af stikkontakten. Hold ledningen borte fra varme, olie, skarpe kanter og bevægelige dele.**

Beskadigede eller sammenfildrede ledninger øger risikoen for elektrisk stød.

- Hvis elværktøj benyttes i det fri, skal der benyttes en forlængerledning, som er godkendt til udendørs brug.** Brug af en ledning, der er egnet til udendørs brug, reducerer risikoen for elektrisk stød.
 - Brug en strømkilde med fejlstrømsrelæ, hvis det er nødvendigt at anvende elværktøj på fugtige steder.** Ved at benytte en fejlstrømsafbryder reduceres risikoen for elektrisk stød.
- #### 3. Personssikkerhed
- Vær opmærksom, hold øje med, hvad du laver og brug elværktøjet fornuftigt. Betjen ikke værktøjet, hvis du er træt, påvirket af narkotika, alkohol eller medicin.** Et øjeblik uopmærksomhed under anvendelse af et elektrisk værktøj kan forårsage alvorlige kvæstelser.
 - Brug personligt beskyttelsesudstyr. Bær altid beskyttelsesbriller.** Sikkerhedsudstyr, såsom støvmaske, skridsikre sikkerhedssko, sikkerhedshjelm eller høreværn, brugt når omstændighederne foreskriver det, reducerer omfanget af personskader.
 - Træf forholdsregler, så utilsigtet start ikke er mulig. Kontrollér, at afbryderkontakten står på slukket, inden værktøjet tilsluttes strømkilden og/eller batteriet, samles op eller bæres.** Når elektrisk værktøj bæres med fingeren på kontakten eller tilsluttes, når kontakten er tændt, giver det anledning til ulykker.
 - Fjern indstillingsværktøj eller skruenøgle, inden elværktøjet startes.** En skruenøgle eller anden nøgle, der bliver siddende på en roterende del af elektrisk værktøj, kan give anledning til personskade.
 - Stræk dig ikke for langt. Hold hele tiden en god fodstilling og balance.** Dette udgør at du har bedre kontrol over det elektriske værktøj, når uventede situationer opstår.
 - Brug egnet arbejdstøj. Bær ikke løst tøj eller smykker. Hold dit hår, tøj og handsker væk fra bevægelige dele.** Løstsiddende tøj, smykker eller langt hår kan blive fanget i bevægelige dele.
 - Hvis der kan monteres støvudsugnings- og opsamlingsudstyr, skal dette tilsluttes og benyttes korrekt.** Anvendelse af støvopsamlingsudstyr kan begrænse farer forårsaget af støv.
- #### 4. Brug og vedligeholdelse af elværktøj
- Overbelast ikke elværktøjet. Brug det værktøj, der er bedst egnet til det arbejde, der skal udføres.** Værktøjet vil klare opgaven bedre og mere sikkert med den ydelse, som det er beregnet til.
 - Brug ikke elværktøjet, hvis afbryderkontakten er defekt.** Alt elektrisk værktøj, der ikke kan kontrolleres med kontakten, er farligt og skal repareres.

- c. **Træk stikket ud af stikkontakten og/eller batteriet inden indstilling, tilbehørsudskiftning eller opbevaring af elværktøjet.** Sådanne forebyggende sikkerhedsforanstaltninger mindsker risikoen for, at værktøjet startes utilsigtet.
- d. **Opbevar ubenyttet elværktøj uden for børns rækkevidde. Lad aldrig personer, der ikke er fortrolige med elværktøjet, eller som ikke har læst denne vejledning, benytte maskinen.** El-værktøj er farligt i hænderne på personer, som ikke er instrueret i brugen deraf.
- e. **Elværktøj skal vedligeholdes. Kontroller, om bevægelige dele er skæve og ikke sidder fast, og om delene er brækket eller beskadiget, så elværktøjets funktion påvirkes.** Hvis det elektriske værktøj er beskadiget, skal det repareres før brug. Mange ulykker er forårsaget af dårligt vedligeholdt værktøj.
- f. **Hold skæreværktøj skarpt og rent.** Ordentligt vedligeholdt skæreværktøj med skarpe skærekanten har mindre tilbøjelighed til at binde og er lettere at styre.
- g. **Brug elværktøjet, tilbehøret, indsatsværktøj osv. i overensstemmelse med disse instruktioner under hensyntagen til arbejdsforholdene og arbejdet, der skal udføres med værktøjet.** Brug af elektrisk værktøj til andre opgaver end dem, det er beregnet til, kan resultere i en farlig situation.
5. **Brug og pleje af batteriværktøj**
- a. **Genoplad kun med den oplader, som producenten har angivet.** En oplader, der passer til en type batteripakke, kan udgøre en risiko for brand, når den bruges til en anden type.
- b. **Elværktøj må kun bruges med batteripakker, der er beregnet hertil.** Brugen af andre batteripakker kan medføre personskade og brand.
- c. **Når batteripakken ikke er i brug, skal den holdes på afstand af andre metalgenstande, f.eks. papirclips, mønter, nøgler, søm, skruer og andre små metalgenstande, som kan skabe forbindelse mellem de to poler.** Kortslutning af batteriet kan forårsage forbrændinger eller brand.
- d. **Under grove forhold kan væske sive ud fra batteriet; undgå kontakt.** Hvis der opstår kontakt ved et uheld, skyl med vand. Hvis væske kommer ind i øjnene, søg omgående lægehjælp. Væske, der siver ud fra batteriet, kan fremkalde irriterationer eller forbrændinger.
6. **Service**
- a. **Lad kun kvalificerede fagfolk reparere elværktøjet og benyt kun originale reservedele.** Derved sikres det, at værktøjets driftssikkerhed opretholdes.

Yderligere sikkerhedsadvarsler for elværktøj



Advarsel! Yderligere sikkerhedsadvarsler for boremaskiner/skruetrækkere

- ◆ **Bær høreværn, når du arbejder med slagboring.** Udsættelse for støj kan medføre høretab.
- ◆ **Brug de ekstra håndtag, der følger med værktøjet.** Tab af kontrol kan medføre personskade.
- ◆ **Hold i elværktøjets isolerede gribeblader, hvis der er risiko for, at skæretilbehøret kommer i kontakt med skjulte ledninger.** Hvis skæretilbehøret rammer en strømførende ledning, bliver elværktøjets blottede dele strømførende, så brugeren får stød.
- ◆ **Hold i elværktøjets isolerede gribeblader, hvis der er risiko for at beslaget kommer i kontakt med skjulte ledninger.** Hvis beslag kommer i kontakt med en strømførende ledning, bliver elværktøjets blottede dele strømførende, så brugeren får stød.
- ◆ **Brug skruetvinger eller lignende til at holde og støtte materialet på et stabilt underlag.** Hvis du holder fast i arbejdsområdet med din hånd eller krop, vil det være ustabil, og det kan medføre, at du mister kontrollen over det.
- ◆ **Kontroller placeringen af ledninger og rør, inden der bores i vægge, gulve eller lofter.**
- ◆ **Rør ikke ved spidsen af et bor lige efter boring, det kan være varmt.**
- ◆ **Den tilsigtede anvendelse er beskrevet i denne betjeningsvejledning.** Brug af ekstraudstyr eller tilbehør eller udførelse af andre opgaver med dette værktøj end de, der anbefales i denne vejledning, kan medføre risiko for personskade og/eller materiel skade.

Andres sikkerhed

- ◆ Dette apparat må bruges af personer i alderen 8 år og derover, og af personer med nedsatte fysiske, sensoriske eller mentale handicaps, eller mangel på erfaringer, viden eller færdigheder. Hvis de holdes under opsyn eller har modtaget vejledning i sikker brug af apparatet og forstår de involverede farer.
- ◆ Børn må ikke lege med apparatet. Rengøring og brugervenlighedsmå ikke foretages af børn uden opsyn.

Restrisici

Der kan opstå yderligere restrisici under brugen af værktøjet, som muligvis ikke behandles i de vedlagte sikkerhedsadvarsler. Disse risici kan opstå pga. forkert anvendelse, langvarig brug etc.

Selv ved overholdelse af relevante sikkerhedsforskrifter og anvendelse af sikkerhedsudstyr kan visse restrisici ikke undgås. Disse omfatter:

- ◆ Tilskadekomst forårsaget af berøring af roterende/bevægelige dele.

- ◆ Tilskadekomst forårsaget af udskiftning af dele, klinger eller tilbehør.
- ◆ Tilskadekomst forårsaget af langvarig brug af et værktøj. Husk at holde pause jævnligt ved brug af et værktøj i længere tid.
- ◆ Hørenedsættelse.
- ◆ Sundhedsrisici forårsaget af indånding af støv, der genereres ved brug af værktøjet (eksempel: Arbejde med træ, især, eg, bøg og MDF.)

Vibration

De angivne værdier for udsendelse af vibration anført under de tekniske data og overensstemmelseserklæringen er målt i henhold til standardtestmetoden i EN 60745 og kan bruges til at sammenligne ét værktøj med et andet. Den angivne vibrationsemissionsværdi kan også bruges som en foreløbig vurdering af eksponeringen.

Advarsel! Værdien for vibrationsemission ved faktisk brug af elværktøjet kan afvige fra den angivne værdi afhængig af mæden, værktøjet anvendes på. Vibrationsniveauet kan overstige det angivne niveau.

I vurderingen af eksponeringen for vibration med henblik på fastsættelse af sikkerhedsforanstaltninger som krævet i 2002/44/EF til beskyttelse af personer, der jævnligt anvender elværktøj i deres arbejde, skal der tages hensyn til de faktiske betingelser under brugen, og måden værktøjet bruges på, herunder alle arbejds cyklussens elementer, f.eks. perioder, hvor værktøjet er slukket, og hvor det kører i tomgang, tillige med startperioderne.

Beskæring

Før et træ beskæres, skal det kontrolleres, at der ikke er vedtægter eller bestemmelser, som forbyder eller begrænser fældning af træer.

- ◆ Vær opmærksom på den retning, grene kan falde i. Tag alle forhold, som kan påvirke faldretningen, i betragtning, herunder:
 - ◆ længde og vægt af den gren, der skal skæres af
 - ◆ den tilsigtede faldretning
 - ◆ en usædvanligt tung stammestruktur eller forrådelse
 - ◆ omkringstående træer og hindringer,
 - ◆ inkl. el-ledninger
 - ◆ sammenfletning med andre grene
 - ◆ vindens hastighed og retning
- ◆ Vær opmærksom på adgangen til grenen.

Grene svinger ofte mod træstammen. Ud over brugeren kan omkringstående personer, bygninger eller genstande under grenen risikere at blive ramt af grenen.

Mærkatér på værktøjet

Værktøjet er forsynet med følgende advarselssymboler samt datokoden:



Advarsel! Brugeren skal læse brugervejledningen for at reducere risikoen for tilskadekomst.



Udsæt ikke værktøjet for regn eller høj luftfugtighed.



Vær opmærksom på faldende genstande. Hold omkringstående på afstand.



Risiko for dødsfald pga. elektrisk stød. Hold mindst 10 m afstand fra el-ledninger.



Bær altid hovedværn og beskyttelsesbriller.



Bær skridsikkert fodtøj.



Kontroller kædestramningen som beskrevet i denne vejledning for hver 10 minutters brug, for at sikre, at saven er sikker i brug, og juster til en afstand på 3 mm som påkrævet. Smør kæden for hver 10 minutters brug.



Kædens omløbsretning.



Advarsel! Rør ikke kæden ved spånudgangen.

Yderligere sikkerhedsvejledninger for batterier og ladere

Batterier

- ◆ Forsøg aldrig at åbne den af en eller anden grund.
- ◆ Batteriet må ikke udsættes for vand.
- ◆ Må ikke opbevares på steder, hvor temperaturen kan overstige 40 °C.
- ◆ Oplad kun ved omgivelsestemperaturer på mellem 10° C og 40 °C.
- ◆ Oplad kun ved hjælp af den medfølgende lader.
- ◆ Følg vejledningen i afsnittet "Miljøbeskyttelse" ved bortskaffelse af batterier".
- ◆ Undgå at beskadige/deformere batteripakken ved at punktere den eller slå på den, da dette kan forårsage risiko for tilskadekomst eller brand.
- ◆ Beskadigede batterier må ikke oplades.
- ◆ Under ekstreme forhold kan der forekomme batterilækage. Når du bemærker væske på batterierne, skal du omhyggeligt tørre væsken af med en klud. Undgå kontakt med huden.
- ◆ I tilfælde af kontakt med hud eller øjne, skal du følge nedenstående anvisninger.

Advarsel! Batterivæsken kan forårsage personskader eller materielle skader. I tilfælde af kontakt med huden skylles straks med vand. Søg læge, hvis der opstår rødme, smerte eller irritation. Skyl straks med rent vand, og søg læge i tilfælde af kontakt med øjnene.

Opladere

Opladeren er udviklet til en specifik spænding. Kontroller altid, at netspændingen svarer til spændingen på typeskiltet.

- ◆ Brug kun din BLACK+DECKER-lader til at oplade batteriet i det værktøj, som den blev leveret sammen med. Andre batterier kan eksplodere og forårsage personskader og materielle skader.
- ◆ Forsøg aldrig at oplade ikke-genopladelige batterier.
- ◆ Udskift straks defekte ledninger.
- ◆ Opladeren må ikke udsættes for vand.
- ◆ Opladeren må ikke åbnes.
- ◆ Opladeren må ikke undersøges.
- ◆ Opladeren skal ved opladning anbringes et sted med god udluftning.

Symboler på laderen

Laderen er forsynet med følgende advarselssymboler:



Opladeren er kun beregnet til indendørs brug.



Læs brugervejledningen, før værktøjet tages i brug.

Elektricitet og sikkerhed



Opladeren er dobbelt isoleret. Derfor er en jordledning ikke nødvendig. Kontroller altid, at netspændingen svarer til spændingen på typeskiltet. Forsøg aldrig at erstatte opladerenheden med et almindeligt netstik.

- ◆ Hvis netledningen beskadiges, skal den udskiftes af producenten eller et autoriseret BLACK+DECKER-værksted, så farlige situationer undgås.

Funktioner

Dette apparat leveres med nogle af eller alle de følgende komponenter.

1. Tænd/sluk-kontakt
2. Låseknap
3. Hovedhåndtag
4. Savhoved
5. Afdækning til kædehjulstand
6. Sværd
7. Kæde

8. Kædedæksel
9. Smøremiddelflaske
10. Forlængerrør
11. Batteri

Fig. A

12. Oplader

Samling

Advarsel! Tag batteriet ud af værktøjet, inden det samles.

Montering og afmontering af batteriet (fig. B)

- ◆ Anbring batteriet (11) ud for værktøjets fatning for at isætte batteriet. Lad batteriet glide ind i fatningen, og skub, indtil batteriet går på plads.
- ◆ Tryk på udløserknappen (13), og træk samtidigt batteriet ud af fatningen for at tage batteriet ud.

Advarsel! For at forhindre utilsigtet drift skal du sikre dig, at batteriet er taget ud, og at kædedækslet sidder på savkæden, før du udfører følgende handlinger. I modsat fald kan der opstå alvorlige personskader.

Montering af savhovedet (fig. C)

Savhovedet kan monteres direkte på håndtaget for at opnå standardrækkevidde.

- ◆ Sæt rillen på ydersiden af håndtagets koblingsende (3) ud for tungen på indersiden af savhovedets koblingsende (4). Skub savhovedet (4) på håndtaget (3).
- ◆ Skub kraven (14) ned, og drej den med uret, til den er helt spændt.

Advarsel! Kontroller jævnligt, at forbindelserne er helt spændt.

Forlængelse af savhovedet (fig. D)

Maksimal rækkevidde kan opnås ved at montere forlængerrøret (10) mellem savhovedet (4) og håndtaget (3).

- ◆ Sæt rillen på ydersiden af håndtagets koblingsende (3) ud for tungen på indersiden af forlængerrørets koblingsende (10).
- ◆ Skub forlængerrøret (10) på håndtaget (3).
- ◆ Skub kraven (15) ned, og drej den med uret, til den er helt spændt.
- ◆ Sæt rillen på ydersiden af forlængerrørets koblingsende (10) ud for tungen på indersiden af savhovedets koblingsende (4).
- ◆ Skub savhovedet (4) på forlængerrøret (10).
- ◆ Skub kraven (14) ned, og drej den med uret, til den er helt spændt.

Advarsel! Kontroller jævnligt, at forbindelserne er helt spændt.

Afmontering af savhovedet (fig. C og D)

Hvis forlængerrøret (10) er monteret, skal savhovedet afmonteres først.

- ◆ For at afmontere savhovedet (4) skal håndtaget (3) lægges på jorden, hvorefter kraven (14) løsnes, og savhovedet tages af.

Anvendelse

Advarsel! Lad værktøjet arbejde i dets eget tempo.

Det må ikke overbelastes.

Opladning af batteriet - Figur A

Batteriet skal oplades inden ibrugtagningen, og når det ikke leverer strøm nok til opgaver, der tidligere kunne udføres ubesværet. Batteriet kan blive varmt under opladningen. Det er normalt og ikke tegn på problemer.

Advarsel! Oplad ikke batteriet ved omgivende temperaturer på under 10 °C eller over 40 °C. Den anbefalede opladnings-temperatur er ca. 24 °C.

Bemærk: Opladeren oplader ikke et batteri, hvis dets temperatur er under ca. 10° C eller over 40° C.

Batteriet bør blive siddende i laderen, som automatisk begynder opladningen, når batteriet opvarmes/afkøles.

- ◆ Tag batteriet (11) ud, og sæt det i opladeren (12), når det skal oplades. Batteriet passer kun i opladeren på én måde. Tving dem ikke. Kontroller, at batteriet er sat helt i opladeren.
- ◆ Tilslut opladeren og tænd på stikkontakten.
- ◆ Ladeindikatoren (24) blinker konstant grønt (langsomt). Ladningen er afsluttet, når ladeindikatoren (24) lyser konstant grønt. Du kan lade opladeren og batteriet være tilsluttet i længere tid med tændt lysdiode. Lysdioden begynder at blinke grønt (opladning), når laderen en gang imellem efterfylder batteriet. Ladeindikatoren (24) lyser, så længe batteriet er tilsluttet til laderen, der er sat i stikkontakten.
- ◆ Afladede batterier bør oplades inden for 1 uge. Batteriets levetid reduceres kraftigt, hvis batteriet opbevares i afladet tilstand.

Lad batteriet blive siddende i opladeren

Du kan lade batteripakken sidde i laderen med tændt lysdiode, så længe det ønskes. Opladeren holder batteripakken frisk og helt opladet.

Fejlfinding af opladeren

Ladeindikatoren (24) blinker hurtigt rødt, hvis laderen registrerer et svagt eller beskadiget batteri. Gør som følger:

- ◆ Sæt batteriet (11) i igen.
- ◆ Hvis ladeindikatoren fortsætter med at blinke hurtigt rødt, skal du bruge et andet batteri til at kontrollere, om opladningen sker korrekt.

- ◆ Hvis det andet batteri lades korrekt, er det oprindelige batteri defekt og skal indleveres til genbrug på et servicecenter.
- ◆ Hvis det andet batteri lades korrekt, er det oprindelige batteri defekt og skal indleveres til genbrug på et servicecenter.

Bemærk: Det kan tage op til 60 minutter at konstatere, at batteriet er defekt. Hvis batteriet er for varmt eller for koldt, blinker lysdioden rødt skiftevis hurtigt og langsomt med et blink ved hver frekvens, hvorefter sekvensen gentages.

Tænd og sluk (fig. E)

Af sikkerhedsmæssige hensyn er værktøjet udstyret med et dobbelt afbrydersystem. Dette system forhindrer utilsigtet start af værktøjet.

Tænd

- ◆ Skub låseknappen (2) tilbage med tommefingeren, og klem samtidig på afbryderen (1).
- ◆ Slip låseknappen (2).

Sluk

- ◆ Slip tænd/sluk-kontakten (1).

Advarsel! Forsøg aldrig at fastlåse en kontakt i tændt position.

Beskæring (fig. F)

- ◆ Lad værktøjet køre ved fuld hastighed, før der saves.
- ◆ Hold godt fast i værktøjet for at undgå pludselig hoppen eller sideværts bevægelse af værktøjet. Før værktøjet gennem grenen med et let tryk. Fortsæt som følger ved savning i tunge grene, hvor et delvist snit kan splintre og beskadige træet:
 - ◆ Læg det første snit 15 cm fra træstammen på undersiden af grenen. Brug spidsen af sværdet (6) til at foretage dette snit.
 - ◆ Sav en tredjedel gennem grenens diameter. Sav derefter ned oppefra.

Rengøring, vedligeholdelse og opbevaring

Dit BLACK+DECKER-apparat/værktøj med eller uden ledning er beregnet til brug gennem lang tid med et minimum af vedligeholdelse. Vedvarende tilfredsstillende funktion er afhængig af, om værktøjet plejes korrekt og rengøres regelmæssigt.

Advarsel! Før udførelse af nogen form for vedligeholdelse på elværktøj med/uden ledning:

- ◆ Sluk og tag apparatets/værktøjets stik ud af stikkontakten.
- ◆ Eller sluk og fjern batteriet fra apparatet/værktøjet, hvis det har en separat batteripakke
- ◆ Eller aflad batteriet helt, hvis det er indbygget, og sluk derefter.

- ◆ Træk laderen ud af stikkontakten, før den rengøres. Laderen kræver ingen vedligeholdelse, men skal rengøres jævnligt. Rengør jævnligt apparatets/værktøjets/laderens ventilationshuller med en blød børste eller en tør klud. Rengør med jævne mellemrum motorhuset med en fugtig klud. Der må ikke bruges skuremidler eller opløsningsmidler.

Åbn jævnligt patronen, og bank på den for at fjerne indvendigt støv (hvis monteret).

Efter brug og før opbevaring

- ◆ Rengør regelmæssigt ventilationsåbningerne med en ren, tør pensel.
- ◆ Brug kun en mild sæbe og en fugtig klud til rengøring af værktøjet. Lad aldrig væske trænge ind i værktøjet, og nedsænk aldrig nogen del af værktøjet i væske.
- ◆ Fjern snavs med en hård børste.
- ◆ Smør kæden med olie.

Montering og afmontering af savkæden (fig. G og H)

Advarsel! Anvend altid beskyttelseshandsker ved montering og afmontering af savkæden. Savkæden er skarp, og man kan skære sig på den, selv om den ikke kører

- ◆ Anbring værktøjet på en fast og stabil overflade.
- ◆ Løsn skruerne (16) med den medfølgende unbrakonøgle. Fjern skruerne.
- ◆ Fjern afdækningen af kædehjulstand (5) og sværdbeslaget (17).
- ◆ Drej skruen (18) mod uret, så sværdet (6) trækkes tilbage, og savkædens (7) stramning reduceres. Fjern den gamle savkæde fra kædehjulstanden (19) og sværdet (6).
- ◆ Læg den nye savkæde i sværdets rille og omkring kædehjulstanden. Vend tænderne i den korrekte retning ved at sættes pilen på savkæden ud for pilen på huset.
- ◆ Kontroller, at rillen (20) i sværdet sidder over monteringsstifterne (21), og at hullet (22) under rullen sidder over justeringsstiften (23).
- ◆ Monter afdækningen af kædehjulstand (5), sværdbeslaget (17) og skruerne (16) igen.
- ◆ Spænd skruerne (16) med den medfølgende unbrakonøgle.
- ◆ Juster kædens stramning som beskrevet herunder.

For at sikre konstant sikker drift må kæde og sværd kun udskiftes med originale dele fra Black & Decker. Kædens reservedelsnummer er A6158, sværdets reservedelsnummer er 623381-00.

Kontrol og justering af kædens stramning (fig. G)

- ◆ Kontroller savkædens stramning. Stramningen er korrekt, når savkæden (7) springer tilbage efter af være trukket 3 mm fri af sværdet med let kraft af langfingeren og tommelfingeren. Der må ikke være nogen "nedbøjning" mellem sværdet (6) og savkæden (7) på undersiden.

Sådan justeres stramningen:

- ◆ Løsn skruerne (16).
- ◆ Drej skruen (18) med uret.

Advarsel! Stram ikke kæden for kraftigt, da dette vil medføre kraftig slitage og afkorte sværdets og kædens levetid.

- ◆ Spænd skruerne (16), når kædens stramning er korrekt.

Advarsel! Når savkæden er ny, skal stramningen kontrolleres ofte under de første to timers brug, da nye savkæder strækker sig en smule.

Smøring af kæden

Savkæden skal altid smøres før brug og efter rengøring med olie af korrekt kvalitet (kat. nr. A6027).

- ◆ Smør hele savkæden (7) jævnt vha. applikatoren (9).

Opbevaring

Hvis værktøjet ikke skal bruges i flere måneder, er det bedst at lade batteriet sidde i laderen.

Eller gør som følger:

- ◆ Oplad batteriet helt.
- ◆ Fjern batteriet fra værktøjet.
- ◆ Opbevar værktøjet og batteriet på et sikkert og tørt sted.
- ◆ Opbevaringstemperaturen skal ligge imellem +10°C og +40°C. Anbring batteriet på en jævn overflade.
- ◆ Oplad batteriet helt, inden værktøjet tages i brug igen efter længere tids opbevaring.

Miljøbeskyttelse



Særskilt bortskaftelse. Produkter og batterier mærket med dette symbol må ikke bortskaftes sammen med normalt husholdningsaffald.

Produkter og batterier indeholder materialer, der kan blive gendannet eller genanvendt og således reducere efterspørgslen efter råvarer. Genbrug venligst elektriske produkter og batterier i henhold til lokale bestemmelser. Yderligere informationer findes på www.2helpU.com

Tekniske data

		GPC1820L H1	PS1820ST1 H1
Spænding	V _{ac}	18	18
Kædehastighed uden belastning	min ⁻¹	190	190
Maks. skærelængde	cm	17	17
Patronkapacitet	mm	13	13
Vægt	kg	3,5	3,5

Batteri		BL2018	BL2018ST
Spænding	V _{DC}	18	18
Kapacitet	Ah	2	2
Type		Li-Ion	Li-Ion

Oplader		905902** (Type 1)	906349**
Indgangsspænding	V _{DC}	100 - 240	200-240
Udgangsspænding	Ah	8 - 20	8-20
Udgangsstrømstyrke	mA	400	1000

Lydtrykniveau i henhold til EN 60745:	
Lydtryk (L _{pa})	78 dB(A), usikkerhed (K) 3 dB(A)
Lydeffekt (L _{wa})	98 dB(A), usikkerhed (K) 3 dB(A)

Samlede værdier for vibration (triaksial vektorsum) i henhold til EN 60745:	
Savning i nyfældet, blødt træ (a _{n,w})	= <2,5 m/s ² usikkerhed (K) 1,5 m/s ²

EF-overensstemmelseserklæring

MASKINDIREKTIV



GPC1820L, PS1820ST1 - Beskæringssav uden ledning

Black & Decker erklærer, at produkterne beskrevet under "Tekniske data" er i overensstemmelse med:
2006/42/EC, EN 60745-1:2009 +A11:2010,
EN 60745-2-15:2009 +A1:2010

Disse produkter er endvidere i overensstemmelse med direktiv 2014/30/EU og 2011/65/EU. Kontakt Black & Decker på nedenstående adresse eller se vejledningens bagside for at få flere oplysninger.

Undertegnede er ansvarlig for kompilering af den tekniske fil og udsteder denne erklæring på vegne af Black & Decker.

R. Laverick
Engineering Manager
Black & Decker Europe, 210 Bath Road, Slough,
Berkshire, SL1 3YD
Storbritannien
21/11/2016

Garanti

Black & Decker er sikker på kvaliteten af sine produkter og giver forbrugerne en garanti på 24 måneder fra købsdatoen. Garantien er et tillæg til forbrugerens lovmæssige rettigheder og påvirker ikke disse. Garantien er gyldig inden for medlemsstaterne af Den Europæiske Union og Det Europæiske Frihandelsområde. Når du gør krav på garantien, skal kravet være i overensstemmelse med Black&Decker vilkår og betingelser, og du skal indsende dokumentation for købet til sælgeren eller til en autoriseret reparatør.

Vilkår og betingelser for Black & Decker 2 års garanti og det nærmeste autoriserede serviceværksted findes på internettet på www.2helpU.com, eller du kan kontakte dit lokale Black & Decker kontor på den adresse, der er angivet i denne vejledning.

Besøg venligst vores websted www.blackanddecker.co.uk for at registrere dit nye Black & Decker produkt og modtage opdateringer om nye produkter og specielle tilbud.

Käyttötarkoitus

Johdoton BLACK+DECKER GPC1820L, PS1820ST1 -var-sileikkuri on suunniteltu puiden karsimiseen. Tämä työkalu on tarkoitettu vain yksityiskäyttöön.

BLACK+DECKER -laturi on tarkoitettu tämän työkalun mukana toimitettujen akkujen kaltaisten BLACK+DECKER -akkujen lataamiseen.

Turvallisuusohjeet

Sähkötyökalujen yleiset turvavaroitukset



Varoitus! Lue kaikki turvallisuusvaroitukset ja ohjeet. Alla olevien varoitusten ja ohjeiden noudattamisen laiminlyönti saattaa johtaa sähköiskuun, tulipaloon ja/tai vakavaan loukkaantumiseen.

Säästä kaikki varoitukset ja ohjeet tulevaa käyttöä varten.

Ohjeissa käytetty käsite "sähkötyökalu" tarkoittaa verkko-käyttöisiä sähkötyökaluja (verkkojohdolla varustettuja) ja akkukäyttöisiä sähkötyökaluja (ilman verkkojohtoa).

1. Työalueen turvallisuus

- Pidä työalue puhtaana ja hyvin valaistuna.**
Onnettomuuksia sattuu herkemmin epäsiistissä tai huonosti valaistussa ympäristössä.
- Älä käytä sähkötyökalua räjähdysalttiissa ympäristössä, jossa on syttyvää nestettä, kaasua tai pölyä.** Sähkötyökalujen aiheuttamat kipinät voivat sytyttää pölyn tai kaasut.
- Pidä lapset ja sivulliset loitolla sähkötyökalua käyttäessäsi.** Keskittymiskyvyn herpaantuminen voi aiheuttaa hallinnan menettämisen.

2. Sähköturvallisuus

- Sähkötyökalun pistokkeen on sovitava pistorasiaan. Älä koskaan tee pistokkeeseen mitään muutoksia. Älä yhdistä maadoitettua sähkötyökalua jatkojohtoon.** Sähköiskun vaara vähenee, jos pistokkeisiin ei tehdä muutoksia ja ne yhdistetään vain niille tarkoitettuihin pistorasioihin.
- Vältä koskettamasta maadoitettuja pintoja, kuten putkia, lämpöpattereita, liesiä tai jääkaappeja.** Voit saada sähköiskun, jos kehosi on maadoitettu.
- Älä altista sähkötyökalua sateelle tai kosteudelle.** Sähkötyökaluun menevä vesi lisää sähköiskun vaaraa.
- Älä käsittele virtajohtoa kovakouraisesti. Älä kannata työkaluja sähköjohdosta tai vedä pistoketta pistorasiasta sähköjohdon avulla. Pidä sähköjohto kaukana kuumuudesta, öljystä, terävistä reunoista tai liikkuvista osista.** Vaurioituneet tai sotkeutuneet johdot lisäävät sähköiskun vaaraa.

- Käyttäessäsi sähkötyökalua ulkona käytä ainoastaan ulkokäyttöön soveltuvaa jatkojohtoa.** Ulkokäyttöön tarkoitettun sähköjohdon käyttäminen vähentää sähköiskun vaaraa.
- Jos sähkötyökalua on välttämättä käytettävä kosteassa paikassa, käytä vikavirtasuojalla (RCD) suojattua virtalähdettä.**
Tämä vähentää sähköiskun vaaraa.

3. Henkilöturvallisuus

- Ole valpas, keskity työhön ja noudata tervettä järkeä sähkötyökalun käytössä. Älä käytä tätä työkalua ollessasi väsynyt tai alkoholin, huumeiden tai lääkkeiden vaikutuksen alaisena.** Keskittymisen herpaantuminen hetkeksikin sähkötyökalua käytettäessä voi aiheuttaa vakavan henkilövahingon.
- Käytä henkilökohtaisia suojavarusteita. Käytä aina suojalaseja.** Hengityssuojaimen, liukumattomien turvajalkineiden, kypärän ja kuulosuojaimen käyttäminen vähentää henkilövahinkojen vaaraa.
- Vältä tahatonta käynnistämistä. Varmista, että kytkin on OFF-asennossa, ennen kuin liität laitteen virtalähteeseen ja/tai akkuun, nostat laitteen tai kannat sitä.** Sähkötyökalun kantaminen sormi virtakytkimellä lisää onnettomuusvaaraa.
- Irrota mahdollinen säätö- tai kiintoavain ennen kuin käynnistät sähkötyökalun.** Sähkötyökalun pyöriivään osaan kiinni jäänyt avain voi johtaa loukkaantumiseen.
- Älä kurkota. Huolehdi siitä, että sinulla on koko ajan tukeva jalansija ja hyvä tasapaino.** Näin voit hallita sähkötyökalua paremmin odottamattomissa tilanteissa.
- Käytä tarkoitukseen soveltuvia vaatteita. Älä käytä löysiä vaatteita tai koruja. Pidä hiukset, vaatteet ja kädet loitolla liikkuvista osista.** Löysät vaatteet, korut tai pitkät hiukset voivat tarttua liikkuviin osiin.
- Jos työkalun voi liittää polynimuriin, tarkista, että liitos on tehty asianmukaisesti ja että laitteita käytetään oikealla tavalla.** Pölyn ottaminen talteen voi vähentää pölyn aiheuttamia vaaroja.

4. Sähkötyökalujen käyttö ja hoito

- Älä ylikuormita sähkötyökalua. Valitse käyttötarkoituksen kannalta oikea sähkötyökalu.** Sähkötyökalu toimii paremmin ja turvallisemmin, kun sitä käytetään sille suunniteltuun käyttötarkoitukseen.
- Älä käytä sähkötyökalua, jota ei voida käynnistää ja pysäyttää virtakytkimestä.** Jos sähkötyökalua ei voi hallita kytkimen avulla, se on vaarallinen ja se on korjattava.

- c. Irrota pistotulppa pistorasiasta ja/tai akku laitteesta ennen kuin suoritat säätöjä, vaihdat tarvikkeita tai siirrä sähkötyökalun varastoitavaksi. Näin voit vähentää vahingossa käynnistymisen aiheuttaman henkilövahingon vaaraa.
- d. Säilytä sähkötyökalut poissa lasten ulottuvilta, kun niitä ei käytetä. Älä anna sähkötyökalua sellaisen henkilön käyttöön, joka ei tunne sitä tai joka ei ole tutustunut tähän käyttöohjeeseen. Sähkötyökalut ovat vaarallisia kouluttamattomien käyttäjien käsissä.
- e. Hoida sähkötyökalusi huolella. Tarkista, että liikkuvat osat toimivat moitteettomasti ja etteivät ne ole puristuksessa. Tarkista myös, ettei työkalussa ei ole murtuneita tai vahingoittuneita osia, jotka saattaisivat vaikuttaa haitallisesti sen toimintaan. Jos havaitset vaurioita, korjauta sähkötyökalu ennen niiden käyttämistä. Huonosti kunnossapidetyt sähkötyökalut aiheuttavat onnettomuuksia.
- f. Pidä leikkausterät terävinä ja puhtaina. Kunnossa pidettyjen leikkaavia teräviä reunoja sisältävien työkalut todennäköisyys jumiutua vähenee, ja niitä on helpompi hallita.
- g. Käytä sähkötyökaluja, tarvikkeita, vaihtoteriä yms. näiden ohjeiden mukaisesti. Ota tällöin huomioon työolosuhteet ja suoritettava toimenpide. Jos sähkötyökalua käytetään näiden ohjeiden vastaisesti, voi syntyä vaaratilanne.
5. Akkutyökalun käyttö ja huolto
- a. Lataa akku vain valmistajan määrittelemällä laturilla. Laturi, joka on sopiva yhden tyyppiselle akulle, voi aiheuttaa tulipalon vaaran, jos sitä käytetään toisen tyyppisellä akulla.
- b. Käytä sähkötyökalussa ainoastaan kyseiseen sähkötyökaluun tarkoitettua akkua. Muun tyyppisen akun käyttö saattaa johtaa loukkaantumiseen ja tulipaloon.
- c. Pidä irrallinen akku loitolla metalliesineistä, kuten paperiliittimistä, kolloikoista, avaimista, nauloista, ruuveista tai muista pienistä metalliesineistä, jotka voivat aiheuttaa oikosulun akun navoissa. Kennon pinteiden oikosulku voi aiheuttaa palovammoja tai tulipalon.
- d. Väärin käytetystä akusta voi vuotaa nestettä. Älä kosketa sitä. Jos nesteen kanssa joutuu kosketuksiin, huuhtelee vedellä. Jos nestettä joutuu silmiin, hakeudu lisäksi lääkärin hoitoon. Akusta roiskunut neste saattaa aiheuttaa ärsytystä tai palovammoja.
6. Huolto
- a. Korjauta sähkötyökalu koulutetulla ja ammattitaitoisella henkilöllä ja hyväksy korjauksiin vain alkuperäisiä varaosia. Tämä varmistaa sähkötyökalun turvallisuuden.

Sähkötyökalujen lisäturvavaroitukset



Varoitus! Porien/ruuvinvääntimien lisäturvavaroitukset

- ◆ Käytä kuulonsuojaimia, kun käytät iskuporaa. Melulle altistuminen voi aiheuttaa kuulon menetyksen.
- ◆ Käytä apukahvoja työkalun kanssa. Hallinnan menetys voi aiheuttaa henkilövahingon.
- ◆ Pitele sähkötyökalua eristetyistä tartuntapinnoista, kun teet työtä, jossa leikkuuosia voi joutua kosketuksiin piilossa olevien sähköjohtojen kanssa. Terien osuminen jännitteeseen johtoon tekee sen paljaista metaliosista jännitteisiä, joten käyttäjä voi saada sähköiskun.
- ◆ Pitele sähkötyökalua eristetyistä tartuntapinnoista, kun teet työtä, jossa kiinnitin voi joutua kosketuksiin piilossa olevien sähköjohtojen kanssa. Kiinnittimien osuminen jännitteeseen johtoon tekee sen paljaista metaliosista jännitteisiä, joten käyttäjä voi saada sähköiskun.
- ◆ Käytä puristimia tai muuta käytännöllistä tapaa kiinnittää ja tukea työkalua tukevalle alustalle. Työn pitäminen käsin tai vartaloa vasten on epävakaata ja saattaa johtaa kontrollin menetykseen.
- ◆ Ennen kuin poraat seiniä, lattioita tai kattoja, tarkista sähköjohtojen ja putkien sijainti.
- ◆ Älä koske terään heti poraamisen jälkeen. Terä saattaa olla kuuma.
- ◆ Tarkoitettu käyttö on kuvattu tässä käyttöohjeessa. Käytä työkalua ainoastaan sellaiseen työhön, johon se on tarkoitettu, ja käytä vain tässä käyttöohjeessa suositeltuja tarvikkeita ja lisälaitteita. Ohjeesta poikkeava käyttö voi aiheuttaa henkilö- ja/tai omaisuusvahinkoja.

Muiden henkilöiden turvallisuus

- ◆ Tämä laite soveltuu yli 8-vuotiaiden lasten ja sellaisten henkilöiden käyttöön, joilla on fyysisiä tai älyllisiä rajoitteita tai aistirajoitteita, kuten myös laitteen toimintaan perehtymättömien henkilöiden käyttöön, jos he ovat saaneet laitteen turvalliseen käyttöön liittyvää opastusta ja mmärtävät laitteen käyttöön liittyvät vaarat.
- ◆ Älä anna lasten leikkiä laitteella. Puhdistus- ja huoltotoita ei saa jättää lapsille ilman valvontaa.

Jäännösriski

Myös muut kuin turvavaroituksissa mainitut riskit ovat mahdollisia työkalua käytettäessä. Nämä riskit voivat liittyä muun muassa virheelliseen tai pitkäaikaiseen käyttöön.

Tiettyjä jäännösriskejä ei voi välttää, vaikka noudatat kaikkia turvamääräyksiä ja käytät turvalaitteita. Näitä ovat:

- ◆ Pyörivien tai liikkuvien osien koskettamisen aiheuttamat vahingot.
- ◆ Osia, teriä tai lisävarusteita vaihdettaessa aiheutuneet vahingot.

- ◆ Työkalun pitkäaikaisen käytön aiheuttamat vahingot. Varmista, että pidät säännöllisesti taukoja työkalun pitkäaikaisen käytön aikana.
- ◆ Kuulon heikkeneminen.
- ◆ Työkalua käytettäessä (esimerkiksi puuta, erityisesti tammea, pyökkiä ja MDF-levyjä käsiteltäessä) syntyneen pölyn sisäinhengityksen aiheuttamat terveysriskit.

Tärinä

Teknisissä tiedoissa ja vaatimustenmukaisuusvakuutuksessa ilmoitettu tärinäpäästöarvo on mitattu EN 60745 -standardin testausmenetelmän mukaisesti, ja arvoa voi käyttää työkalujen keskinäiseen vertailuun. Ilmoitettua tärinäpäästöarvoa voi käyttää myös altistumisen alustavaan arviointiin.

Varoitus! Sähkötyökalun käytön aikana mitattu todellinen tärinäpäästöarvo voi poiketa ilmoitetusta tärinäpäästöarvosta työkalun käyttötavan mukaan. Tärinätaaso voi olla ilmoitettua tasoa suurempi.

Kun tärinälle altistumista arvioidaan sen määrittämiseksi, mitä direktiivin 2002/44/EY mukaisia turvatoimenpiteitä vaaditaan sähkötyökaluja säännöllisesti käyttävien henkilöiden suojelemiseksi, tärinälle altistumisen arvioinnissa on otettava huomioon todelliset käyttöolosuhteet ja työkalun käyttötavat. Todellisen käytön lisäksi on kiinnitettävä huomiota myös siihen, milloin työkalu on sammutettuna tai se käy tyhjäkäynnillä.

Karsiminen

Varmista etukäteen ennen puun karsimista, että puun kaataminen on luvallista.

- ◆ Huomioi suunta, johon oksa voi pudota. Mieti etukäteen kaikkia putoamissuuntaan vaikuttavia tilanteita, joita ovat esimerkiksi seuraavat:
 - ◆ katkaistavan oksan pituus ja paino
 - ◆ suunta, johon oksan pitäisi pudota
 - ◆ poikkeuksellisen raskaat oksat tai lahot kohdat
 - ◆ ympäröivät puut ja esteet,
 - ◆ myös yli kulkevat jännitejohdot
 - ◆ oksan kiinnittyminen muihin oksiin
 - ◆ tuulen nopeus ja suunta
- ◆ Selvitä, miten karsintakohtaan pääsee.

Katkaistavat oksat kallistuvat puun runkoa kohti. Putoavat oksat voivat osua karsijan lisäksi puun alla oleviin sivullisiin, rakennuksiin tai muihin esineisiin.

Työkalun tarrat

Työkaluun on merkitty päivämääräkoodi sekä seuraavat varoitusmerkinnät:



Varoitus! Käyttäjän on luettava käyttöohje vahinkojen välttämiseksi.



Älä käytä työkalua sateessa tai erittäin kosteissa olosuhteissa.



Varo putoavia esineitä. Pidä sivulliset loitolla.



Tappavan sähköiskun vaara. Pysy vähintään 10 metrin päässä yli kulkevista jännitejohdoista.



Käytä aina kypärää ja suojalaseja.



Käytä liukuesteturvajalkineita.



Varmista jatkuva turvallinen toiminta tarkistamalla ketjun kireys tässä käyttöohjeessa kuvattulla tavalla aina 10 käyttöminuutin jälkeen. Säädä ketjua takaisin 3 mm:n välykseen tarpeen vaatiessa. Lisää ketjun voiteluöljyä 10 minuutin välein.



Ketjun pyörimissuunta.



Varoitus! Älä pidä kättä lastujen poistoaukon kohdalla.

Akkuja ja laturia koskevat lisäturvaohjeet

Akut

- ◆ Älä koskaan yritä avata mistään syystä.
- ◆ Älä anna akun kastua.
- ◆ Älä säilytä paristoja tiloissa, joissa lämpötila voi nousta yli 40 °C:een.
- ◆ Lataa akku paikassa, jonka lämpötila on vähintään +10 °C ja enintään +40 °C.
- ◆ Lataa akku ainoastaan työkalun mukana toimitetulla laturilla.
- ◆ Noudata akkujen hävittämisessä Ympäristönsuojelukohtassa esitettyjä ohjeita.
- ◆ Suojaa akkua vahingoittumiselta niin, ettei sen kotelo rikoudu eikä siihen kohdistu iskuja, sillä muutoin voi syntyä henkilövahinkojen ja tulipalon vaara.
- ◆ Älä lataa viallisia akkuja.
- ◆ Vaativissa oloissa voi ilmetä paristovuotoja. Jos havaitset akkujen pinnalla nestettä, pyyhi se huolellisesti pois. Vältä ihokosketusta.
- ◆ Jos nestettä joutuu silmiin tai iholle, noudata jäljempänä olevia ohjeita.

Varoitus! Akkuneste voi aiheuttaa aineellisia vahinkoja tai henkilövahinkoja. Jos nestettä joutuu iholle, se on välittömästi huuhdeltava pois vedellä. Jos ihoa kirvelee tai se punottaa tai on muuten ärtynyt, kysy lisäohjeita lääkäriltä. Jos nestettä joutuu silmiin, huuhto välittömästi puhtaalla vedellä ja mene lääkäriin.

Laturi

Laturi on tarkoitettu tietylle jännitteelle. Tarkista aina, että verkkojännite vastaa arvokilvessä ilmoitettua jännitettä.

- ◆ Käytä BLACK+DECKER-laturia vain laitteen mukana toimitetun akun lataamiseen. Muut akut voivat räjähtää ja aiheuttaa henkilövahinkoja tai aineellisia vahinkoja.
- ◆ Älä koskaan yritä ladata akkuja, joita ei ole tarkoitettu ladattaviksi.
- ◆ Vaihda vialliset johdot välittömästi ehjiin.
- ◆ Älä altista laturia vedelle.
- ◆ Älä avaa laturia.
- ◆ Älä työnnä mitään laturin sisään.
- ◆ Laturin on oltava lataamisen aikana paikassa, jossa on kunnollinen ilmanvaihto.

Laturin symbolit

Laturissa on seuraavat merkinnät:



Laturi on tarkoitettu ainoastaan sisäkäyttöön.



Lue käyttöohjeet huolellisesti ennen laitteen käyttöä.

Sähköturvallisuus



Laturi on kaksoiseristetty, joten erillistä maadoitusta ei tarvita. Tarkista aina, että verkkojännite vastaa arvokilvessä ilmoitettua jännitettä. Älä yritä vaihtaa laturiin tavallista verkkovirran pistoketta.

- ◆ Jos virtajohto vahingoittuu, sen vaihtaminen on turvallisuusyistä jätettävä valmistajan tai valtuutetun BLACK+DECKER-huollon tehtäväksi.

Yleiskuvaus

Tässä laitteessa on kaikki tai joitakin seuraavista ominaisuuksista.

1. Virtakytkin
2. Lukituksen vapautuspainike
3. Pääkahva
4. Sahan pää
5. Hammaspöyrän suojus
6. Laippa
7. Ketju
8. Teräsuojus
9. Öljypullo
10. Jatkoputki
11. Akku

Kuva A

12. Laturi

Asennus

Varoitus! Poista akku laitteesta aina ennen kokoamista.

Akun kiinnittäminen ja irrottaminen (kuva B)

- ◆ Kiinnitä akku (11) asettamalla se työkalussa olevan kiinnityssyvennyksen kanssa samaan linjaan. Liu'uta akkua kiinnityssyvennykseen, kunnes se lukittuu paikalleen.
- ◆ Irrota akku painamalla vapautuspainiketta (13) samalla, kun vedät akun irti syvennyksestä.

Varoitus! Jotta saaha ei käynnistetä vahingossa, irrota akku ja varmista, että teräsuojus on paikallaan teräketjun päällä, ennen kuin suoritat seuraavat toimenpiteet. Jos näin ei menetellä, seurauksena saattaa olla vakava tapaturma.

Sahan pään asentaminen (kuva C)

Sahan pää voidaan kiinnittää suoraan kädensijaan tavanomaisen toiminta-alueen aikaansaamiseksi.

- ◆ Aseta kädensijan (3) kytkentäpään ulkopuolella oleva ura sahan pään (4) kytkentäpään sisäpuolella olevaan kielekkeeseen. Työnnä sahan pää (4) kädensijaan (3).
- ◆ Liu'uta kartio (14) alas ja kierrä sitä myötäpäivään, kunnes se on täysin kireällä.

Varoitus! Tarkista liitännät säännöllisesti varmistaaksesi, että ne ovat tiukasti kiinni.

Sahan pään pidentäminen (kuva D)

Mahdollisimman suuri toiminta-alue saadaan aikaan asentamalla jatkoputki (10) sahan pään (4) ja kädensijan (3) välille.

- ◆ Aseta kädensijan (3) kytkentäpään ulkopuolella oleva ura jatkoputken (10) kytkentäpään sisäpuolella olevaan kielekkeeseen.
- ◆ Työnnä jatkoputki (10) kädensijaan (3).
- ◆ Liu'uta kartio (15) alas ja kierrä sitä myötäpäivään, kunnes se on täysin kireällä.
- ◆ Aseta jatkoputken (10) kytkentäpään ulkopuolella oleva ura sahan pään (4) kytkentäpään sisäpuolella olevaan kielekkeeseen.
- ◆ Työnnä sahan pää (4) jatkoputken (10).
- ◆ Liu'uta kartio (14) alas ja kierrä sitä myötäpäivään, kunnes se on täysin kireällä.

Varoitus! Tarkista liitännät säännöllisesti varmistaaksesi, että ne ovat tiukasti kiinni.

Sahan pään irrottaminen (kuva C & D)

Jos jatkoputki (10) asennetaan, sahan pää on irrotettava ensin.

- ◆ Irrota sahan pää (4) asettamalla kädensija (3) maahan, löysäämällä kartio (14) ja irrottamalla sahan pää.

Käyttö

Varoitus! Anna työkalun käydä omaan tahtiinsa.

Älä ylikuormita sitä.

Akun lataaminen - kuva A

Lataa akku ennen ensimmäistä käyttökertaa ja aina, kun se ei enää tuota riittävästi virtaa toimintoihin, jotka aiemmin sujuivat helposti. Akku voi lämmetä ladattaessa. Tämä on normaalia, eikä se ole merkki mistään viasta.

Varoitus! Älä lataa akkua alle 10 °C tai yli 40 °C asteen lämpötilassa. Suositeltava latauslämpötila on 24 °C.

Huomautus: Laturi ei lataa akkua, jos akun kennon lämpötila on alle 10 °C tai yli 40 °C.

Akku tulee kuitenkin jättää laturiin. Laturi aloittaa lataamisen automaattisesti, kun kennon lämpötila nousee tai laskee riittävästi.

- ◆ Lataa akku (11) poistamalla se työkalusta ja asettamalla se laturiin (12). Akku sopii laturiin vain yhdessä asennossa. Älä pakota. Varmista, että akku on kunnolla laturissa.
- ◆ Kytke laturi pistorasiaan.
- ◆ Latauksen merkkivalo (24) vilkkuu tasaisesti vihreänä (hitaasti).

Akku on ladattu, kun latauksen merkkivalo (24) palaa keskeytyksettä vihreänä. Akku voidaan jättää laturiin, kun LED-merkkivalo palaa. Merkkivalo voi alkaa vilkkua uudelleen vihreänä ns. täydennyslatauksen ajaksi. Latauksen merkkivalo (24) palaa niin kauan kuin akku on pistorasiaan liitettyssä laturissa.

- ◆ Lataa akut viikon kuluessa tyhjentymisestä. Akkujen käyttöikä lyhenee merkittävästi, jos ne jätetään tyhjiksi pitkäksi aikaa.

Akun jättäminen laturiin

Akku voidaan jättää laturiin, kun LED-merkkivalo palaa. Laturi ylläpitää akkua ja sen virtatasoa.

Laturin vianmääritys

Jos laturi havaitsee lähes tyhjän tai viallisen akun, latauksen merkkivalo (24) vilkkuu nopeasti punaisena. Toimi seuraavasti:

- ◆ Aseta akku (11) uudelleen laturiin.
- ◆ Jos merkkivalo vilkkuu edelleen nopeasti punaisena, vaihda akku niin, että voit tarkistaa virheettömän latautumisen.
- ◆ Jos toinen akku latautuu normaalisti, alkuperäinen akku on viallinen ja se on toimitettava huoltopisteeseen kierrätettäväksi.
- ◆ Jos toinen akku antaa saman virheilmoituksen kuin alkuperäinen, vie laturin huoltopisteeseen testattavaksi.

Huomautus: Akun kennon määrittäminen voi kestää 60 minuuttia. Jos akku on liian kuuma tai kylmä, LED-merkkivalo vilkkuu punaisena vuoroin nopeasti ja hitaasti.

Käynnistäminen ja sammuttaminen (kuva E)

Käyttöturvallisuuden lisäämiseksi tämä työkalu on varustettu käynnistysvarmistimella. Järjestelmä estää työkalun tahattoman käynnistämisen.

Käynnistäminen

- ◆ Paina lukituspainiketta (2) taaksepäin peukalollasi ja paina samanaikaisesti virrankatkaisijaa (1).
- ◆ Vapauta lukituspainike (2).

Sammuttaminen

- ◆ Päästä irti virrankatkaisijasta (1).

Varoitus! Älä koskaan yritä lukita kytkimiä käyttöasentoon.

Karsiminen (kuva F)

- ◆ Ennen varsinaista katkaisuvaihetta anna työkalun toimia täydellä nopeudella.
- ◆ Pidä työkalusta kiinni tukevasti molemmin käsin, jotta se ei pääse ponnahtelemaan tai liikkumaan sivusuunnassa. Ohjaa työkalu oksan läpi kevyesti painaen. Kun sahaat isoja oksia, jolloin osittainen sahaus voi saada aikaan säilöjiä tai vahingoittaa puuta, toimi seuraavasti:
 - ◆ Sahaa ensin 15 cm puun rungosta karsintakohdan alapuolella. Käytä tähän sahauskeulan laipan (6) yläpintaa.
 - ◆ Sahaa 1/3 karsintakohdan läpimitasta. Sahaa sitten sen yläpuolelta.

Puhdistus, hoito ja säilytys

Verkkojohdolla varustettu tai verkkojohdoton BLACK+DECKER-laite on suunniteltu toimimaan mahdollisimman kauan mahdollisimman vähällä huollolla. Oikea käsittely ja säännöllinen puhdistus varmistavat laitteen ongelmattoman toiminnan.

Varoitus! Ennen verkkojohdolla varustetun tai verkkojohdoton sähkötyökalun huoltoa toimi seuraavasti:

- ◆ Sammuta laite/työkalu ja irrota se verkkovirrasta.
- ◆ Jos laitteessa/työkalussa on erillinen akku, sammuta laite/työkalu ja irrota sen akku.
- ◆ Jos akku on kiinteä, käytä akku täysin loppuun ja sammuta laite sitten.
- ◆ Irrota laturi pistorasiasta ennen laturin puhdistamista. Laturi ei tarvitse säännöllisen puhdistamisen lisäksi mitään muuta huoltoa.

Puhdista laitteen/työkalun/laturin ilma-aukot säännöllisesti pehmeällä harjalla tai kuivalla rievulla. Puhdista moottorin kotelo säännöllisesti kostealla liinalla. Älä käytä hankaavia tai liuotinpohjaisia puhdistusaineita. Ava a istukka säännöllisesti ja naputtele pöly pois sen sisältä (soveltuvin osin).

Käytön jälkeen ja ennen varastointia

- ◆ Puhdista ilma-aukot puhtaalla, kuivalla maalisiveltimellä.
- ◆ Käytä työkalun puhdistukseen vain mietoa saippualluosta ja kosteaa riepua. Älä koskaan päästä nestettä valumaan työkalun sisään äläkä upota mitään työkalun osaa nesteeseen.
- ◆ Poista roskat kovalla harjalla.
- ◆ Voitele ketju öljyllä.

Teräketjun asentaminen ja irrottaminen (kuva G & H)

Varoitus! Pidä aina suojakäsineitä asentaessasi tai irrottaessasi teräketjua. Teräketju on terävä ja voi aiheuttaa haavan myös liikkumattomana ollessaan.

- ◆ Aseta työkalu tukevalle ja vakaalle pinnalle.
- ◆ Löysää ruuvit (16) työkalun mukana toimitetulla kuusiokoloavaimella. Irrota ruuvit.
- ◆ Irrota hammaspyörän suojuus (5) ja ketjun kiinnityslaite (17).
- ◆ Kierrä ruuvia (18) vastapäivään niin, että laippa (6) vetäytyy ja vähentää teräketjun (7) kireyttä.
- ◆ Irrota vanha teräketju hammaspyörästä (19) ja laipasta (6).
- ◆ Aseta uusi teräketju laipan uraan ja hammaspyörän ympärille. Varmista, että hampaat ovat oikeassa suunnassa tarkistamalla, että teräketjun nuolet osoittavat samaan suuntaan kuin kuoressa olevat nuolet.
- ◆ Varmista, että laipassa oleva kolo (20) on kohdistustappien (21) yläpuolella ja että kolon alapuolella oleva reikä (22) on säätönupin (23) kohdalla.
- ◆ Asenna uudelleen hammaspyörän suojuus (5), ketjun kiinnityslaite (17) ja ruuvit (16).
- ◆ Kiristä ruuvit (16) työkalun mukana toimitetulla kuusiokoloavaimella.
- ◆ Säädä ketjun kireys jäljempänä kuvatulla tavalla.

Jatkuva turvallinen toiminta edellyttää, että teräketju ja laippa vaihdetaan vain alkuperäisiin Black & Deckerin varaosiin.

Varaosana saatavan ketjun tuotenumero on A6158 ja laipan 623381-00.

Ketjun kireyden tarkastus ja säätö (kuva G)

- ◆ Tarkista teräketjun kireys. Kireys on oikea, kun teräketju (7) voi keskisormella ja peukalolla kevyesti nostaa teräketjun levystä irti 3 mm niin, että vapauttamisen jälkeen ketju napsahtaa takaisin vasten levyä. Teräketju (7) ei saa roikkua laipan (6) alapuolella.

Kireyden säätö:

- ◆ Löysää ruuveja (16).
- ◆ Kierrä ruuvia (18) myötäpäivään.

Varoitus! Älä kiristä ketjua liian tiukalle, koska tällöin laippa ja ketju kuluvat loppuun ennenaikaisesti.

- ◆ Kun ketjun kireys on oikea, kiristä ruuvit (16).

Varoitus! Kun teräketju on uusi, tarkista kireys usein kahden ensimmäisen käyttötunnin aikana, sillä uusi teräketju venyy jonkin verran.

Ketjun voitelu

Teräketju on voideltava ennen jokaista käyttökertaa ja puhdistuksen jälkeen käyttämällä oikeaa öljyä (tuoteno A6027).

- ◆ Voitele koko teräketju (7) tasaisesti käyttämällä voitelulaitetta (9).

Säilytys

Kun työkalua ei ole tarkoitus käyttää pitkään aikaan, jätä akku kytketyksi laturiin.

Muutoin toimi seuraavasti:

- ◆ Lataa akku täyteen.
- ◆ Irrota akku työkalusta.
- ◆ Säilytä työkalua ja akkua turvallisessa ja kuivassa paikassa.
- ◆ Säilytyspaikan lämpötilan täytyy aina olla +10 °C - +40 °C. Aseta akku tasaiselle alustalle.
- ◆ Lataa akku täyteen, ennen kuin käytät työkalua pitkäaikaisen säilytyksen jälkeen.

Ympäristönsuojelu



Toimita tämä laite erilliskeräykseen. Tällä symbolilla merkittyjä tuotteita ja akkuja ei saa hävittää tavallisen kotitalousjätteen mukana.

Tuotteissa ja akuissa on materiaaleja, jotka voidaan ottaa talteen tai kierrättää uudelleen käyttöä varten.

Kierrätä sähkölaitteet ja akut paikallisten määräyksien mukaan. Lisätietoa on saatavilla osoitteessa www.2helpU.com

Tekniset tiedot

		GPC1820L H1	PS1820ST1 H1
Jännite	V _{DC}	18	18
Ketjun nopeus (kuorittamattomana)	min ⁻¹	190	190
Suurin sahauspituus	cm	17	17
Istukan kapasiteetti	mm	13	13
Paino	kg	3,5	3,5

		BL2018	BL2018ST
Jännite	V _{DC}	18	18
Teho	Ah	2	2
Tyyppi		Li-Ion	Li-Ion

Laturi		905902** (Tyyppi 1)	906349**
Tulojännite	V _{DC}	100 - 240	200-240
Lähtöjännite	Ah	8 - 20	8-20
Latausvirta	mA	400	1000

Äänenpainetaso, määritetty EN 60745-standardin mukaan:Äänenpaine (L_{pa}) 78 dB(A), epävarmuus (K) 3 dB(A)Äänitehotaso (L_{wa}) 98 dB(A), epävarmuus (K) 3 dB(A)**Tärinän kokonaisarvot (vektorisumma) standardin EN 60745 mukaisesti:**Juuri kaadetun pehmeän puun katkaiseminen (a_{h,w}) = < 2,5 m/s² Epävarmuus (K) 1,5 m/s²**EY-vaatimustenmukaisuusvakuutus**

KONEDIREKTIIVI



GPC1820L, PS1820ST1 - Johdoton varsileikkuri

Black & Decker ilmoittaa, että tuotteet, jotka on kuvattu
kohdassa Tekniset tiedot, täyttävät seuraavien direktiivien
vaatimukset:

2006/42/EY, EN 60745-1:2009 +A11:2010,
EN 60745-2-15:2009 +A1:2010

Disse produkter er endvidere i overensstemmelse med
direktiv 2014/30/EU og 2011/65/EU. Kontakt Black & Decker
på nedenstående adresse eller se vejledningens bagside for
at få flere oplysninger.

Allekirjoittaja vastaa teknisistä tiedoista ja antaa tämän vakuu-
tuksen seuraavan yhtiön puolesta: Black & Decker.

R. Laverick
Engineering Manager
Black & Decker Europe, 210 Bath Road, Slough,
Berkshire, SL1 3YD
Iso-Britannia
21/11/2016

Takuu

Black & Decker on vakuuttanut tuotteidensa korkeasta laadusta ja tarjoaa kuluttajille 24 kuukauden takuun, joka astuu voimaan ostopäivänä. Takuu on lisäys kuluttajan lailisiin oikeuksiin eikä vaikuta niihin. Tämä takuu on voimassa kaikissa EU- ja ETA-maissa. Edellytyksenä takuun saamiselle on, että vaade täyttää Black & Deckerin ehdot ja että ostaja toimittaa ostotositteen jälleenmyyjälle tai valtuutetulle huoltoliikkeelle.

Black & Deckerin kahden vuoden takuun ehdot ja lähimmän valtuutetun korjauspalvelun yhteystiedot ovat saatavilla osoitteessa www.2helpU.com tai ottamalla yhteyttä paikalliseen Black & Deckerin toimipisteeseen tässä ohjekirjassa ilmoitettuihin osoitteisiin.

Käy verkkosivuillamme osoitteessa www.blackanddecker.fi ja rekisteröi uusi Black & Decker -tuotteesi saadaksesi tietoa uusista tuotteista ja erikoistarjouksista.

Προβλεπόμενη χρήση

Το κλαδευτήρι μπαταρίας με κοντάρι BLACK+DECKER GP-C1820L, PS1820ST1 έχει σχεδιαστεί για κλάδεμα δέντρων. Αυτό το εργαλείο προορίζεται μόνο για καταναλωτική χρήση. Ο φορτιστής σας BLACK+DECKER έχει σχεδιαστεί για τη φόρτιση των μπαταριών BLACK+DECKER του τύπου που παρέχονται με αυτό το εργαλείο.

Οδηγίες ασφαλείας

Γενικές προειδοποιήσεις ασφαλείας για ηλεκτρικά εργαλεία



Προειδοποίηση! Διαβάστε όλες τις προειδοποιήσεις ασφαλείας και όλες τις οδηγίες. Η μη τήρηση των παρακάτω προειδοποιήσεων και οδηγιών μπορεί να προκαλέσει ηλεκτροπληξία, πυρκαγιά και/ή σοβαρές σωματικές βλάβες.

Φυλάξτε όλες τις προειδοποιήσεις και τις οδηγίες για μελλοντική αναφορά. Ο όρος "ηλεκτρικό εργαλείο" που χρησιμοποιείται σε όλες τις παρακάτω προειδοποιήσεις, αναφέρεται είτε ηλεκτρικό εργαλείο που λειτουργεί με ρεύμα δικτύου (ρεύματος - με καλώδιο) είτε σε εργαλείο που λειτουργεί με μπαταρία (μπαταρίας - χωρίς καλώδιο).

1. Ασφάλεια χώρου εργασίας

- α. **Διατηρείτε το χώρο εργασίας καθαρό και καλά φωτισμένο.** Οι ατακτοποιητοί ή σκοτεινοί χώροι γίνονται αιτίες ατυχημάτων.
- β. **Μη χρησιμοποιείτε ηλεκτρικά εργαλεία σε περιβάλλον όπου υπάρχει κίνδυνος έκρηξης, όπως με παρουσία εύφλεκτων υγρών, αερίων ή σκόνης.** Τα ηλεκτρικά εργαλεία παράγουν σπινθήρες που μπορεί να προκαλέσουν ανάφλεξη της σκόνης ή των αναθυμιάσεων.
- γ. **Όταν χρησιμοποιείτε ηλεκτρικό εργαλείο, κρατάτε μακριά τα παιδιά και άλλα άτομα.** Παράγοντες που αποσπούν την προσοχή μπορεί να σας κάνουν να χάσετε τον έλεγχο.

2. Ασφαλής χρήση ηλεκτρικού ρεύματος

- α. **Τα φως των ηλεκτρικών εργαλείων πρέπει να ταιριάζουν στην πρίζα. Σε καμία περίπτωση μην τροποποιήσετε το φως, με κανένα τρόπο. Μη χρησιμοποιείτε φως προσαρμογής με γειωμένα ηλεκτρικά εργαλεία.** Τα φως που δεν έχουν υποστεί τροποποιήσεις και οι κατάλληλες πρίζες μειώνουν τον κίνδυνο ηλεκτροπληξίας.
- β. **Αποφεύγετε την επαφή του σώματός σας με γειωμένες επιφάνειες, όπως σωλήνες, καλοριφέρ, κουζίνες και ψυγεία.** Υπάρχει αυξημένος κίνδυνος ηλεκτροπληξίας αν το σώμα σας είναι γειωμένο.

- γ. **Μην εκθέτετε τα ηλεκτρικά εργαλεία σε βροχή ή υγρασία.** Η διείσδυση νερού σε ένα ηλεκτρικό εργαλείο αυξάνει τον κίνδυνο ηλεκτροπληξίας.
- δ. **Μην κακομεταχειρίζεστε το καλώδιο. Ποτέ μη χρησιμοποιείτε το καλώδιο για να μεταφέρετε το ηλεκτρικό εργαλείο, να το τραβήξετε ή να το αποσυνδέσετε από την πρίζα. Κρατάτε το καλώδιο μακριά από θερμότητα, λάδια, αιχμηρά άκρα ή κινούμενα μέρη.** Τα καλώδια που έχουν υποστεί ζημιά ή είναι μπερδεμένα αυξάνουν τον κίνδυνο ηλεκτροπληξίας.
- ε. **Όταν χρησιμοποιείτε ηλεκτρικό εργαλείο σε εξωτερικούς χώρους, να χρησιμοποιείτε πάντοτε καλώδιο επέκτασης κατάλληλο για εργασία σε εξωτερικούς χώρους.** Η χρήση καλωδίου κατάλληλου για εργασία σε εξωτερικούς χώρους μειώνει τον κίνδυνο ηλεκτροπληξίας.
- στ. **Εάν είναι αναπόφευκτη η χρήση ενός ηλεκτρικού εργαλείου σε συνθήκες υγρασίας, χρησιμοποιήστε μια διάταξη προστασίας από ρεύμα διαρροής (RCD).** Η χρήση μιας διάταξης RCD μειώνει τον κίνδυνο ηλεκτροπληξίας.

3. Προσωπική ασφάλεια

- α. **Όταν χρησιμοποιείτε ηλεκτρικό εργαλείο, να είστε σε εγρήγορση, να συγκεντρώνεστε στην εργασία που κάνετε και να επιστρατεύετε την κοινή λογική. Μη χρησιμοποιείτε ηλεκτρικό εργαλείο όταν είστε κουρασμένος/η ή υπό την επήρεια ναρκωτικών, οινοπνεύματος ή φαρμακευτικής αγωγής.** Μια στιγμή απροσεξίας κατά τη χρήση ηλεκτρικών εργαλείων μπορεί να προκαλέσει σοβαρό τραυματισμό.
- β. **Να χρησιμοποιείτε ατομικό εξοπλισμό προστασίας. Πάντα φοράτε προστασία ματιών.** Ο εξοπλισμός προστασίας, όπως μάσκα κατά της σκόνης, αντιλιοσηθικά παπούτσια ασφαλείας, κράνος ή προστασία ακοής, όταν χρησιμοποιείται για τις κατάλληλες συνθήκες, θα μειώσει τους τραυματισμούς και τις σωματικές βλάβες.
- γ. **Αποτρέπετε την ακούσια ενεργοποίηση. Βεβαιωθείτε ότι ο διακόπτης βρίσκεται στη θέση απενεργοποίησης πριν συνδέσετε το εργαλείο στην πηγή ρεύματος και/ή τοποθετήσετε το πακέτο μπαταρίας, καθώς και πριν πάρετε στα χέρια σας ή μεταφέρετε το εργαλείο.** Η μεταφορά ηλεκτρικών εργαλείων με το δάχτυλο πάνω στο διακόπτη ή η σύνδεση στο ρεύμα ηλεκτρικών εργαλείων με το διακόπτη στη θέση ενεργοποίησης, ενέχει κινδύνους ατυχημάτων.
- δ. **Πριν θέσετε το ηλεκτρικό εργαλείο σε λειτουργία, αφαιρέστε τυχόν εργαλεία ή κλειδιά ρύθμισης.** Εάν αφήσετε ένα εργαλείο ή κλειδί πάνω σε κάποιο περιστρεφόμενο εξάρτημα του ηλεκτρικού εργαλείου, μπορεί να προκληθούν τραυματισμοί.

- ε. Μην τεντώνετε υπερβολικά. Διατηρείτε πάντα σταθερή στήριξη στα πόδια σας και καλή ισορροπία.** Έτσι μπορείτε να έχετε καλύτερο έλεγχο του ηλεκτρικού εργαλείου σε μη αναμενόμενες καταστάσεις.
- στ. Φοράτε κατάλληλη ενδυμασία εργασίας. Μη φοράτε φαδιά ρούχα ούτε κοσμήματα. Κρατάτε τα μαλλιά, τα ρούχα και τα γάντια σας μακριά από κινούμενα μέρη.** Τα χαλαρά ρούχα, τα κοσμήματα και τα μακριά μαλλιά μπορούν να πιαστούν σε κινούμενα μέρη.
- ζ. Αν παρέχονται διατάξεις για τη σύνδεση συστημάτων απομάκρυνσης και συλλογής της σκόνης, βεβαιωθείτε ότι αυτές είναι συνδεδεμένες και χρησιμοποιούνται σωστά.** Η χρήση διατάξεων συλλογής της σκόνης μπορεί να μειώσει τους κινδύνους που προέρχονται από την σκόνη.
- 4. Χρήση και φροντίδα ηλεκτρικών εργαλείων**
- α. Μην υπερφορτώνετε το ηλεκτρικό εργαλείο. Χρησιμοποιείτε το σωστό ηλεκτρικό εργαλείο για την εφαρμογή σας.** Το σωστό ηλεκτρικό εργαλείο θα εκτελέσει τη εργασία καλύτερα και ασφαλέστερα, με την ένταση χρήσης για την οποία σχεδιάστηκε.
- β. Μη χρησιμοποιήσετε το ηλεκτρικό εργαλείο αν ο διακόπτης του δεν μπορεί να το ενεργοποιεί και απενεργοποιεί.** Ένα ηλεκτρικό εργαλείο του οποίου η λειτουργία δεν μπορεί να ελεγχθεί με το διακόπτη είναι επικίνδυνο και πρέπει να επισκευαστεί.
- γ. Αποσυνδέστε το φως από την πηγή ρεύματος και/ή το πακέτο μπαταρίας από το ηλεκτρικό εργαλείο, πριν διεξαγάγετε οποιαδήποτε ρύθμιση, αλλαγή αξεσουάρ ή όταν πρόκειται να αποθηκεύσετε το ηλεκτρικό εργαλείο.** Τέτοια προληπτικά μέτρα ασφαλείας μειώνουν το κίνδυνο αθέλητης εκκίνησης του ηλεκτρικού εργαλείου.
- δ. Να φυλάσσετε μακριά από παιδιά τα ηλεκτρικά εργαλεία που δεν χρησιμοποιείτε. Μην αφήνετε να χρησιμοποιήσουν ηλεκτρικό εργαλείο άτομα που δεν είναι εξοικειωμένα με αυτό ή άτομα που δεν έχουν διαβάσει αυτές τις οδηγίες χρήσης.** Τα ηλεκτρικά εργαλεία είναι επικίνδυνα στα χέρια μη εκπαιδευμένων χρηστών.
- ε. Να συντηρείτε τα ηλεκτρικά εργαλεία. Ελέγχετε για προβλήματα ευθυγράμμισης ή για μάγκωμα των κινούμενων εξαρτημάτων, θραύση εξαρτημάτων, καθώς και για οποιοδήποτε άλλο πρόβλημα μπορεί να επηρεάσει τη λειτουργία των ηλεκτρικών εργαλείων. Αν το ηλεκτρικό εργαλείο έχει υποστεί ζημιά, φροντίστε να επισκευαστεί πριν το χρησιμοποιήσετε.** Η ανεπαρκής συντήρηση των ηλεκτρικών εργαλείων αποτελεί αιτία πολλών ατυχημάτων.
- στ. Διατηρείτε τα κοπτικά εργαλεία κοφτερά και καθαρά.** Τα κοπτικά εργαλεία με κοφτερές κοπτικές αιχμές που συντηρούνται σωστά έχουν λιγότερες πιθανότητες να

μαγκώσουν και ελέγχονται ευκολότερα.

- ζ. Να χρησιμοποιείτε το ηλεκτρικό εργαλείο, τα αξεσουάρ και τις μύτες του εργαλείου κλπ. σύμφωνα με τις παρούσες οδηγίες, λαμβάνοντας υπόψη σας τις συνθήκες εργασίας και την εργασία που θέλετε να εκτελέσετε.** Η χρήση του ηλεκτρικού εργαλείου για εργασίες διαφορετικές από τις προβλεπόμενες θα μπορούσε να οδηγήσει σε επικίνδυνη κατάσταση.
- 5. Χρήση και φροντίδα εργαλείων μπαταρίας**
- α. Να επαναφορτίζετε μόνο με το φορτιστή που καθορίζει ο κατασκευαστής.** Ένας φορτιστής που είναι κατάλληλος για ένα τύπο πακέτου μπαταρίας μπορεί να δημιουργήσει κίνδυνο πυρκαγιάς όταν χρησιμοποιείται με άλλο πακέτο μπαταρίας.
- β. Χρησιμοποιείτε τα ηλεκτρικά εργαλεία αποκλειστικά και μόνο με τα καθοριζόμενα πακέτα μπαταριών.** Η χρήση άλλων πακέτων μπαταριών μπορεί να προκαλέσει κίνδυνο τραυματισμού και πυρκαγιάς.
- γ. Όταν το πακέτο μπαταρίας δεν χρησιμοποιείται, κρατάτε το μακριά από άλλα μεταλλικά αντικείμενα, όπως συνδετήρες, κέρματα, κλειδιά, καρφιά, βίδες ή άλλα μικρά μεταλλικά αντικείμενα που μπορούν να βραχυκυκλώσουν τους δύο ακροδέκτες του.** Αν βραχυκυκλωθούν οι ακροδέκτες της μπαταρίας, μπορεί να προκληθούν εγκαύματα ή πυρκαγιά.
- δ. Αν οι μπαταρίες υποστούν κακομεταχείριση, μπορεί να διαρρέυσει υγρό. Αποφύγετε την επαφή. Αν κατά λάθος έρθετε σε επαφή, ξεπλύνετε με νερό. Σε περίπτωση που το υγρό έλθει σε επαφή με τα μάτια σας, ζητήστε επιπλέον και ιατρική βοήθεια.** Το υγρό που εξέρχεται από την μπαταρία μπορεί να προκαλέσει ερεθισμούς ή εγκαύματα.
- 6. Σέρβις**
- α. Αναθέτετε το σέρβις του ηλεκτρικού σας εργαλείου σε εξειδικευμένο τεχνικό επισκευών που χρησιμοποιεί μόνο γνήσια ανταλλακτικά.** Έτσι θα εξασφαλίσετε τη διατήρηση της ασφάλειας του ηλεκτρικού εργαλείου.

Πρόσθετες προειδοποιήσεις ασφαλείας για ηλεκτρικά εργαλεία



Προειδοποίηση! Συμπληρωματικές προειδοποιήσεις ασφαλείας για δραπανοκατάρβιδα

- ◆ Φοράτε προστατευτικά ακοής κατά την κρουστική διάτρηση. Η έκθεση σε θόρυβο μπορεί να προκαλέσει απώλεια ακοής
- ◆ Χρησιμοποιείτε τις βοηθητικές λαβές που παρέχονται μαζί με το εργαλείο. Η απώλεια ελέγχου μπορεί να προκαλέσει σωματική βλάβη.

- ◆ **Κρατάτε το ηλεκτρικό εργαλείο από τις μονωμένες επιφάνειες συγκράτησης όταν εκτελείτε κάποια εργασία κατά την οποία το εξάρτημα κοπής μπορεί να έρθει σε επαφή με κρυμμένα καλώδια.** Αν αξεσουάρ κοπής έρθει σε επαφή με καλώδιο υπό τάση, μπορεί να τεθούν υπό ηλεκτρική τάση και τα εκτεθειμένα μεταλλικά μέρη του ηλεκτρικού εργαλείου και να προκληθεί ηλεκτροπληξία στο χειριστή.
- ◆ **Κρατάτε το ηλεκτρικό εργαλείο από τις μονωμένες επιφάνειες συγκράτησης όταν εκτελείτε κάποια εργασία κατά την οποία η βίδα μπορεί να έρθει σε επαφή με κρυμμένα καλώδια.** Αν το στοιχείο στερέωσης έρθει σε επαφή με καλώδιο υπό τάση μπορεί να τεθούν υπό ηλεκτρική τάση και τα εκτεθειμένα μεταλλικά μέρη του ηλεκτρικού εργαλείου και να προκληθεί ηλεκτροπληξία στο χειριστή.
- ◆ **Χρησιμοποιείτε σφιγκτήρες ή άλλο πρακτικό μέσο για να στερεώνετε και να στηρίζετε το προς τεμάχιο εργασίας σε σταθερό υπόβαθρο.** Αν κρατάτε το τεμάχιο εργασίας με το χέρι σας ή κόντρα στο σώμα σας, αυτό δεν είναι σταθερό και μπορεί να προκληθεί απώλεια ελέγχου.
- ◆ Πριν τη διάτρηση τοίχων, δαπέδων ή ταβανίων, ελέγχετε για τις θέσεις καλωδιώσεων και σωλήνων.
- ◆ Αποφεύγετε να αγγίζετε την άκρη του τρυπανιού αμέσως μετά τη διάτρηση, καθώς μπορεί να καίει.
- ◆ Η προβλεπόμενη χρήση περιγράφεται στο παρόν χειριρίδιο οδηγιών. Η χρήση οποιουδήποτε αξεσουάρ ή προσαρτήματος ή η εκτέλεση με αυτό το εργαλείο οποιασδήποτε εργασίας, που διαφέρει από ότι υποδεικνύεται στο παρόν χειριρίδιο οδηγιών, ενδέχεται να εγκυμονεί κίνδυνο σωματικής βλάβης και/ή υλικών ζημιών.

Ασφάλεια τρίτων

- ◆ Αυτό το εργαλείο δεν προορίζεται για χρήση από άτομα (στα οποία περιλαμβάνονται και τα παιδιά) με μειωμένες φυσικές, αισθητηριακές ή διανοητικές ικανότητες ή άτομα χωρίς εμπειρία και γνώσεις, παρά μόνο εφόσον επιτηρούνται ή τους έχουν δοθεί οδηγίες σχετικά με τη χρήση του εργαλείου από άτομο υπεύθυνο για την ασφάλειά τους.
- ◆ Τα παιδιά πρέπει να επιτηρούνται για να διασφαλίζεται ότι δεν παίζουν με τη συσκευή.

Υπολειπόμενοι κίνδυνοι

Κατά τη χρήση του εργαλείου μπορεί να δημιουργηθούν πρόσθετοι υπολειπόμενοι κίνδυνοι, οι οποίοι ενδέχεται να μη συμπεριλαμβάνονται στις προειδοποιήσεις ασφαλείας που εσωκλείονται. Αυτοί οι κίνδυνοι μπορεί να προκληθούν από κακή χρήση, παρατεταμένη χρήση κλπ.

Παρά την εφαρμογή των σχετικών κανονισμών ασφαλείας και τη χρήση διατάξεων ασφαλείας, ορισμένοι υπολειπόμενοι

κίνδυνοι δεν είναι δυνατό να αποφευχθούν. Σ' αυτούς περιλαμβάνονται:

- ◆ Τραυματισμοί από επαφή με περιστρεφόμενα/κινούμενα μέρη.
- ◆ Τραυματισμοί κατά την αλλαγή οποιωνδήποτε εξαρτημάτων, λεπίδων ή αξεσουάρ.
- ◆ Σωματικές βλάβες από παρατεταμένη χρήση του εργαλείου. Όταν χρησιμοποιείτε οποιοδήποτε εργαλείο για παρατεταμένα χρονικά διαστήματα, μην παραλείπετε με κανένα τρόπο να κάνετε τακτικά διαλείμματα.
- ◆ Βλάβη της ακοής.
- ◆ Κίνδυνοι στην υγεία που προκαλούνται από την εισπνοή σκόνης, όταν χρησιμοποιείτε το εργαλείο (παραδείγματα: όταν ετεξεργάζεστε ξύλο, ειδικά δρυ, οξιά και MDF.)

Κραδασμοί

Η δηλωμένη τιμή εκπομπής κραδασμών που αναφέρεται στα τεχνικά χαρακτηριστικά και στη δήλωση συμμόρφωσης έχει μετρηθεί σύμφωνα με τυποποιημένη μέθοδο δοκιμής που προβλέπεται από το πρότυπο EN 60745 και μπορεί να χρησιμοποιηθεί για τη σύγκριση ενός εργαλείου με ένα άλλο. Η δηλωμένη τιμή εκπομπής κραδασμών μπορεί να χρησιμοποιηθεί και σε έναν προκαταρκτικό προσδιορισμό της έκθεσης σε κραδασμούς.

Προειδοποίηση! Στην πράξη, η τιμή εκπομπής κραδασμών κατά την χρήση του ηλεκτρικού εργαλείου μπορεί να διαφέρει από την τιμή που δηλώθηκε, ανάλογα με τον τρόπο που χρησιμοποιείται το εργαλείο. Το επίπεδο κραδασμών μπορεί να αυξηθεί πάνω από το επίπεδο που έχει δηλωθεί.

Κατά τον προσδιορισμό της έκθεσης σε κραδασμούς για τον καθορισμό των απαιτούμενων μέτρων ασφαλείας σύμφωνα με την οδηγία 2002/44/EK για την προστασία προσώπων που χρησιμοποιούνται συχνά ηλεκτρικά εργαλεία στην εργασία τους, μια προσεγγιστική εκτίμηση της έκθεσης σε κραδασμούς πρέπει να λαμβάνει υπόψη τις πραγματικές συνθήκες χρήσης και τον τρόπο χρήσης του εργαλείου, συμπεριλαμβανομένων και όλων των επιμέρους τμημάτων του κύκλου εργασίας, όπως τα χρονικά διαστήματα που το εργαλείο ήταν εκτός λειτουργίας και τα διαστήματα λειτουργίας χωρίς φορτίο, επιπλέον του χρόνου πίεσης της σκανδάλης.

Κλάδεμα

Πριν επιχειρήσετε να κλαδέψετε ένα δένδρο, βεβαιωθείτε ότι δεν υπάρχουν διατάξεις ή κανονισμοί που απαγορεύουν ή περιορίζουν την κοπή του δένδρου.

- ◆ Καθορίστε την κατεύθυνση προς την οποία μπορεί να πέσει ένα κλαδί. Λάβετε υπόψη όλους τους παράγοντες που ενδέχεται να επηρεάσουν την κατεύθυνση της πτώσης, όπως είναι μεταξύ άλλων:
 - ◆ το μήκος και το βάρος του κλαδιού που θα κοπεί
 - ◆ η επιθυμητή κατεύθυνση πτώσης
 - ◆ οποιοδήποτε δομικό χαρακτηριστικό του κλαδιού με

μεγάλο βάρος ή τυχόν σημείο σήψης

- ♦ η παρουσία γύρω δέντρων και εμποδίων,
- ♦ συμπεριλαμβανομένων εναέριων καλωδίων
- ♦ η εμπλοκή με άλλα κλαδιά
- ♦ η ταχύτητα και διεύθυνση του ανέμου
- ♦ Εξτάστε την πρόσβαση στο κλαδί.

Τα κλαδιά του δέντρου τείνουν να στραφούν προς το κορμό του δέντρου. Εκτός από το χρήστη, κάθε παρευρισκόμενος, κτίριο ή αντικείμενο κάτω από το κλαδί κινδυνεύει να πληγεί από το κλαδί που θα πέσει.

Ετικέτες πάνω στο εργαλείο

Το εργαλείο φέρει τα παρακάτω προειδοποιητικά σύμβολα μαζί με τον κωδικό ημερομηνίας:



Προειδοποίηση! Για να μειωθεί ο κίνδυνος τραυματισμού, ο χρήστης πρέπει να διαβάσει το εγχειρίδιο οδηγιών.



Μην εκθέτετε το εργαλείο στη βροχή ή σε υψηλή υγρασία.



Προσέχετε για τυχόν αντικείμενα που πέφτουν. Μην επιτρέπετε να πλησιάσουν άλλα άτομα.



Κίνδυνος ηλεκτροπληξίας. Κρατηθείτε τουλάχιστον 10 m μακριά από υπερκείμενα καλώδια.



Να φοράτε πάντα προστατευτικό εξοπλισμό για το κεφάλι και τα μάτια.



Να φοράτε πάντα αντιολισθητικά υποδήματα ασφαλείας.

Για να εξασφαλίσετε τη συνεχή ασφαλή λειτουργία, ελέγχετε την τάνυση της αλυσίδας, όπως περιγράφεται σε αυτό το εγχειρίδιο, μετά από κάθε 10 λεπτά χρήσης, και ρυθμίστε τη ξανά σε διάκενο 3 mm όπως απαιτείται. Λαδώνετε την αλυσίδα μετά από κάθε 10 λεπτά χρήσης.



Η κατεύθυνση περιστροφής της αλυσίδας.



Προειδοποίηση! Μην αγγίζετε την αλυσίδα στο σημείο εξαγωγής των απορριμμάτων κοπής.

Πρόσθετες οδηγίες ασφαλείας για μπαταρίες και φορτιστές

Μπαταρίες

- ♦ Ποτέ μην επιχειρήσετε να τις ανοίξετε, για κανένα λόγο.
- ♦ Μην εκθέτετε την μπαταρία σε νερό.
- ♦ Μην αποθηκεύετε σε θέσεις όπου η θερμοκρασία ενδέχεται να υπερβεί τους 40 °C.

ται να υπερβεί τους 40 °C.

- ♦ Η φόρτιση πρέπει να γίνεται μόνο σε θερμοκρασίες περιβάλλοντος μεταξύ 10 °C και 40 °C.
- ♦ Η φόρτιση πρέπει να γίνεται μόνο με το φορτιστή που παρέχεται μαζί με το εργαλείο.
- ♦ Κατά την απόρριψη των μπαταριών, να τηρείτε τις οδηγίες που παρέχονται στην ενότητα «Προστασία του περιβάλλοντος».
- ♦ Μην καταστρέψετε/παρामορφώνετε την μπαταρία είτε τρυπώντας ή χτυπώντας την, διότι μπορεί να προκληθεί κίνδυνος τραυματισμού ή πυρκαγιάς.
- ♦ Μη φορτίζετε μπαταρίες που έχουν υποστεί ζημιά.
- ♦ Υπό ακραίες συνθήκες, μπορεί να επέλθει διαρροή υγρών της μπαταρίας.
- ♦ Αν παρατηρήσετε υγρό πάνω στις μπαταρίες, σκουπίστε το προσεκτικά με ένα πανί. Αποφύγετε την επαφή με το δέρμα.
- ♦ Σε περίπτωση επαφής με το δέρμα ή τα μάτια, ακολουθήστε τις παρακάτω οδηγίες.

Προειδοποίηση! Το υγρό της μπαταρίας μπορεί να προκαλέσει σωματικές βλάβες ή υλικές ζημιές. Σε περίπτωση επαφής με το δέρμα, ξεπλύνετε αμέσως με άφθονο νερό. Αν παρουσιαστεί κοκκίνισμα του δέρματος, πόνος ή ερεθισμός, ζητήστε ιατρική βοήθεια. Σε περίπτωση επαφής με τα μάτια, ξεπλύνετε αμέσως με καθαρό νερό και ζητήστε ιατρική βοήθεια.

Φορτιστές

Ο φορτιστής σας είναι σχεδιασμένος για συγκεκριμένη ηλεκτρική τάση. Ελέγχετε πάντα ότι η τάση ρεύματος δικτύου συμφωνεί με αυτήν που αναγράφεται στην πινακίδα τεχνικών χαρακτηριστικών.

- ♦ Ο φορτιστής BLACK+DECKER πρέπει να χρησιμοποιείται αποκλειστικά και μόνο για τη φόρτιση της μπαταρίας στο εργαλείο που συνόδευε. Άλλες μπαταρίες ενδέχεται να σκάσουν, προκαλώντας τραυματισμό ατόμων και ζημιές.
- ♦ Μην επιχειρήσετε ποτέ να φορτίσετε μη επαναφορτιζόμενες μπαταρίες.
- ♦ Να φροντίζετε να αντικαθίστανται άμεσα τα καλώδια που έχουν υποστεί ζημιά.
- ♦ Μην εκθέτετε το φορτιστή σε νερό.
- ♦ Μην ανοίξετε το φορτιστή.
- ♦ Μην εισάγετε οποιαδήποτε αντικείμενα μέσα στο φορτιστή.
- ♦ Κατά τη φόρτιση, ο φορτιστής πρέπει να βρίσκεται σε καλά αεριζόμενο χώρο.

Σύμβολα επάνω στο φορτιστή

Ο φορτιστής φέρει τα παρακάτω σύμβολα:



Ο φορτιστής προορίζεται για χρήση μόνο σε εσωτερικούς χώρους.



Διαβάστε το εγχειρίδιο οδηγιών πριν τη χρήση.

Ασφαλής χρήση ηλεκτρικού ρεύματος



Ο φορτιστής σας φέρει διπλή μόνωση. Επομένως, δεν απαιτείται αγωγός γείωσης. Ελέγχετε πάντα ότι η τάση ρεύματος δικτύου συμφωνεί με αυτήν που αναγράφεται στην πινακίδα τεχνικών χαρακτηριστικών. Ποτέ μην επιχειρήσετε να αντικαταστήσετε τη μονάδα φορτιστή με κανονικό φως ρεύματος δικτύου.

- ♦ Αν το καλώδιο ρεύματος έχει υποστεί φθορά, η αντικατάστασή του πρέπει να γίνει από τον κατασκευαστή ή από ένα εξουσιοδοτημένο κέντρο επισκευών της BLACK+DECKER, ώστε να μην αποτελέσει κίνδυνο.

Χαρακτηριστικά

Στη συσκευή περιλαμβάνονται ορισμένα ή όλα τα παρακάτω στοιχεία.

1. Διακόπτης ενεργοποίησης/ απενεργοποίησης (on/off)
2. Κουμπί ασφάλισης
3. Κύρια λαβή
4. Κεφαλή πριονιού
5. Κάλυμμα οδοντωτού τροχού
6. Μπάρα οδηγού
7. Αλυσίδα
8. Θήκη αλυσίδας
9. Φιάλη λίπανσης
10. Σωλήνας προέκτασης
11. Μπαταρία

Εικ. Α

12. Φορτιστής

Συναρμολόγηση

Προειδοποίηση! Πριν από τη συναρμολόγηση, αφαιρέστε την μπαταρία από το εργαλείο.

Τοποθέτηση και αφαίρεση της μπαταρίας (εικ. Β)

- ♦ Για να τοποθετήσετε τη μπαταρία (11), ευθυγραμμίστε την με την υποδοχή στο εργαλείο. Τοποθετήστε την μπαταρία μέσα στην υποδοχή και σπρώξτε την μέχρι να ασφαλίσει στη θέση της.
- ♦ Για να αφαιρέσετε τη μπαταρία, πατήστε τα κουμπιά απασφάλισης (13) και ταυτόχρονα τραβήξτε τη μπαταρία έξω από την υποδοχή.

Προειδοποίηση! Για να αποτρέψετε την κατά λάθος λειτουργία βεβαιωθείτε ότι έχετε αφαιρέσει την μπαταρία και τοποθετήσει τη θήκη της αλυσίδας επάνω στην

αλυσίδα προτού εκτελέσετε τους ακόλουθους χειρισμούς. Σε αντίθετη περίπτωση υπάρχει κίνδυνος πρόκλησης σοβαρού τραυματισμού.

Τοποθέτηση της κεφαλής κοπής (εικ. C)

Η κεφαλή κοπής μπορεί να τοποθετηθεί απευθείας στη λαβή προκειμένου να επιτευχθεί η τυπική εμβέλεια.

- ♦ Ευθυγραμμίστε την εγκοπή στο εξωτερικό του άκρου σύνδεσης της λαβής (3) με το γλωσσίδι στο εσωτερικό του άκρου σύνδεσης της κεφαλής κοπής (4). Πιέστε την κεφαλή κοπής (4) πάνω στη λαβή (3).
- ♦ Σπρώξτε κάτω το κολάρο (14) και περιστρέψτε το δεξιό-στροφα μέχρι να σφίξει πλήρως.

Προειδοποίηση! Περιοδικά ελέγχετε τις συνδέσεις για να εξασφαλίσετε ότι είναι καλά σφιγμένες.

Επέκταση της κεφαλής κοπής (εικ. D)

Η μέγιστη εμβέλεια μπορεί να επιτευχθεί τοποθετώντας το σωλήνα προέκτασης (10) μεταξύ της κεφαλής κοπής (4) και της λαβής (3).

- ♦ Ευθυγραμμίστε την εγκοπή στο εξωτερικό του άκρου σύνδεσης της λαβής (3) με το γλωσσίδι στο εσωτερικό του άκρου σύνδεσης του σωλήνα προέκτασης (10).
- ♦ Πιέστε το σωλήνα προέκτασης (10) πάνω στη λαβή (3).
- ♦ Σπρώξτε κάτω το κολάρο (15) και περιστρέψτε το δεξιό-στροφα μέχρι να σφίξει πλήρως.
- ♦ Ευθυγραμμίστε την εγκοπή στο εξωτερικό του άκρου σύνδεσης του σωλήνα προέκτασης (10) με το γλωσσίδι στο εσωτερικό του άκρου σύνδεσης της κεφαλής κοπής (4).
- ♦ Πιέστε την κεφαλή κοπής (4) πάνω στο σωλήνα προέκτασης (10).
- ♦ Σπρώξτε κάτω το κολάρο (14) και περιστρέψτε το δεξιό-στροφα μέχρι να σφίξει πλήρως.

Προειδοποίηση! Περιοδικά ελέγχετε τις συνδέσεις για να εξασφαλίσετε ότι είναι καλά σφιγμένες.

Αφαίρεση της κεφαλής κοπής (εικ. C & D)

Εάν είναι τοποθετημένος ο σωλήνας προέκτασης (10), πρέπει πρώτα να αφαιρεθεί η κεφαλή κοπής.

- ♦ Για να αφαιρέσετε την κεφαλή κοπής (4), ακουμπήστε τη λαβή (3) στο έδαφος, χαλαρώστε το κολάρο (14) και αφαιρέστε την κεφαλή κοπής.

Χρήση

Προειδοποίηση! Αφήστε το εργαλείο να λειτουργήσει με το δικό του ρυθμό.

Μην το υπερφορτώνετε.

Φόρτιση της μπαταρίας - Εικόνα Α

Η μπαταρία πρέπει να φορτιστεί πριν την πρώτη χρήση και όταν δεν μπορεί να παρέχει επαρκή ισχύ σε εργασίες που

πριν γίνοντουσαν εύκολα. Η μπαταρία μπορεί να θερμαίνεται κατά τη φόρτιση. Κάτι τέτοιο είναι φυσιολογικό και δεν υποδηλώνει πρόβλημα.

Προειδοποίηση! Μην φορτίζετε την μπαταρία σε θερμοκρασίες περιβάλλοντος κάτω από 10 °C ή πάνω από 40 °C. Η συνιστώμενη θερμοκρασία φόρτισης είναι περίπου 24 °C.

Σημείωση: Ο φορτιστής δεν θα φορτίσει μια μπαταρία με θερμοκρασία κυψέλης κάτω από περίπου 10 °C ή πάνω από 40 °C.

Η μπαταρία θα πρέπει να παραμείνει στο φορτιστή και αυτός θα αρχίσει να τη φορτίζει αυτόματα μόλις η θερμοκρασία κυψέλης αυξηθεί ή μειωθεί αντίστοιχα.

- ◆ Για να φορτίσετε την μπαταρία (11), αφαιρέστε την από το εργαλείο και τοποθετήστε την στο φορτιστή (12). Η μπαταρία μπορεί να τοποθετηθεί στο φορτιστή μόνο με έναν τρόπο. Μην ασκείτε άσκοπη δύναμη. Βεβαιωθείτε ότι η μπαταρία είναι τοποθετημένη σωστά στο φορτιστή.
- ◆ Συνδέστε το φορτιστή στην πρίζα και ενεργοποιήστε την παροχή ρεύματος.
- ◆ Η ενδεικτική λυχνία φόρτισης (24) θα αρχίσει να αναβοσβήνει συνεχώς (αργά) με πράσινο χρώμα.

Η φόρτιση έχει ολοκληρωθεί όταν η ενδεικτική λυχνία φόρτισης (24) ανάψει σταθερά με πράσινο χρώμα. Ο φορτιστής και η μπαταρία μπορούν να παραμείνουν σε σύνδεση επιστροφής' αόριστο με τη λυχνία LED αναμμένη. Η ενδεικτική λυχνία LED θα αναβοσβήνει με πράσινο χρώμα (φόρτιση), καθώς ο φορτιστής αναπληρώνει περιστασιακά τη φόρτιση της μπαταρίας. Η ενδεικτική λυχνία φόρτισης (24) παραμένει αναμμένη για όσο διάστημα η μπαταρία είναι συνδεδεμένη με το φορτιστή στην πρίζα.

- ◆ Φορτίζετε τις αποφορτισμένες μπαταρίες εντός 1 εβδομάδας. Η διάρκεια ζωής μιας μπαταρίας μειώνεται σημαντικά αν αποθηκευτεί σε αποφορτισμένη κατάσταση.

Παραμονή της μπαταρίας στο φορτιστή

Ο φορτιστής και το πακέτο μπαταρίας μπορούν να παραμείνουν σε σύνδεση επ' αόριστον με τη λυχνία LED αναμμένη. Ο φορτιστής θα διατηρεί το πακέτο μπαταρίας σε βέλτιστη κατάσταση και πλήρως φορτισμένο.

Διαγνωστικά φορτιστή

Αν ο φορτιστής ανιχνεύσει ότι η μπαταρία είναι εξασθενημένη ή έχει υποστεί ζημιά, η ενδεικτική λυχνία φόρτισης (24) θα αρχίσει να αναβοσβήνει γρήγορα με κόκκινο χρώμα.

Συνεχίστε ως εξής:

- ◆ Επανατοποθετήστε την μπαταρία (11).
- ◆ Εάν η ενδεικτική λυχνία φόρτισης συνεχίσει να αναβοσβήνει γρήγορα με κόκκινο χρώμα, χρησιμοποιήστε μια άλλη μπαταρία για να εξακριβώσετε αν η διαδικασία φόρτισης λειτουργεί σωστά.

- ◆ Αν η νέα μπαταρία φορτίζεται σωστά, αυτό σημαίνει ότι η αρχική μπαταρία είναι ελαττωματική και θα πρέπει να επιστραφεί σε κέντρο σέρβις για ανακύκλωση.
- ◆ Αν η νέα μπαταρία δίνει την ίδια ένδειξη με την αρχική μπαταρία, δώστε το φορτιστή για έλεγχο σε εξουσιοδοτημένο κέντρο σέρβις.

Σημείωση: Μπορεί να χρειαστούν μέχρι και 60 λεπτά για να εξακριβωθεί εάν η μπαταρία είναι ελαττωματική. Αν η μπαταρία είναι πολύ θερμή ή πολύ κρύα, η ενδεικτική λυχνία LED θα αναβοσβήνει κόκκινη με γρήγορο και αργό ρυθμό εναλλάξ, μια αναλαμπή σε κάθε ρυθμό και κατ' επανάληψη.

Ενεργοποίηση και απενεργοποίηση (εικ. Ε)

Για την ασφάλειά σας, αυτό το εργαλείο είναι εξοπλισμένο με διπλό σύστημα ενεργοποίησης. Αυτό το σύστημα εμποδίζει την ακούσια ενεργοποίηση του εργαλείου.

Ενεργοποίηση

- ◆ Πιέστε το κουμπί απασφάλισης (2) προς τα πίσω με τον αντίχειρά σας και ταυτόχρονα πιέστε το διακόπτη on/off (1).
- ◆ Απελευθερώστε το κουμπί απασφάλισης (2).

Απενεργοποίηση

- ◆ Ελευθερώστε το διακόπτη on/off (1).

Προειδοποίηση! Μην επιχειρήσετε ποτέ να ασφαλίσετε ένα διακόπτη στη θέση ενεργοποίησης (ON).

Κλάδεμα (εικ. F)

- ◆ Βεβαιωθείτε ότι το εργαλείο λειτουργεί με τη μέγιστη ταχύτητα πριν πραγματοποιήσετε κοπή.
- ◆ Κρατήστε σταθερά το εργαλείο, για να αποφύγετε πιθανή αναπήδηση ή μετατόπιση του στο πλάι. Κατευθύνετε το εργαλείο μέσα από το κλαδί ασκώντας μικρή πίεση. Κατά την κοπή μεγάλων κλαδιών, όπου μια μερική κοπή μπορεί να σκίσει και να τραυματίσει το δέντρο, προχωρήστε ως εξής:
 - ◆ Πρώτα κόψτε 15 cm από τον κορμό του δέντρου στο κάτω μέρος του κλαδιού. Χρησιμοποιήστε το πάνω μέρος της μπάρας οδηγού (6) για να πραγματοποιήσετε αυτή την κοπή.
 - ◆ Κόψτε κατά το ένα τρίτο της διαμέτρου του κλαδιού. Στη συνέχεια, κόψτε προς τα κάτω, ξεκινώντας από πάνω.

Καθαρισμός, συντήρηση και αποθήκευση

Αυτή η συσκευή/το εργαλείο με καλώδιο/χωρίς καλώδιο της BLACK+DECKER έχει σχεδιαστεί έτσι ώστε να λειτουργεί για μεγάλο χρονικό διάστημα με την ελάχιστη δυνατή συντήρηση. Η συνεχής ικανοποιητική λειτουργία εξαρτάται από τη σωστή φροντίδα και τον τακτικό καθαρισμό του εργαλείου.

Προειδοποίηση! Πριν πραγματοποιήσετε οποιαδήποτε συντήρηση σε ηλεκτρικά εργαλεία ρεύματος/μπαταρίας:

- ◆ Απενεργοποιήστε και αποσυνδέστε τη συσκευή/το εργαλείο από την πρίζα.
- ◆ Ή απενεργοποιήστε και αφαιρέστε το πακέτο μπαταρίας από τη συσκευή/το εργαλείο, εάν η συσκευή/το εργαλείο διαθέτει αφαιρούμενο πακέτο μπαταρίας
- ◆ Ή χρησιμοποιήστε την μπαταρία μέχρι να αδειάσει εντελώς, αν είναι αναμπατωμένη, και στη συνέχεια απενεργοποιήστε.
- ◆ Πριν καθαρίσετε το φορτιστή, αποσυνδέστε τον από την πρίζα. Ο φορτιστής σας δεν χρειάζεται άλλη συντήρηση εκτός του τακτικού καθαρισμού.

Να καθαρίζετε τακτικά τις εγκοπές εξερισμού της συσκευής/ εργαλείου/φορτιστή με μια μαλακή βούρτσα ή με ένα στεγνό πανί.

Να καθαρίζετε τακτικά το περιβλήμα του μοτέρ με υγρό πανί. Μη χρησιμοποιείτε καθαριστικά που χαράζουν ή περιέχουν διαλύτες.

Να ανοίγετε τακτικά το τσοκ και να το χτυπάτε ελαφρά για να αφαιρείται η σκόνη από το εσωτερικό του (εφόσον έχει φαρμώσει).

Μετά τη χρήση και πριν από την αποθήκευση

- ◆ Καθαρίζετε τακτικά τις εγκοπές εξερισμού με ένα καθαρό, στεγνό πινέλο βαφής.
- ◆ Για τον καθαρισμό του εργαλείου, χρησιμοποιείτε αποκλειστικά ήπιο σαπούνι και υγρό πανί. Μη επιτρέψετε ποτέ να εισέλθει υγρό στο εσωτερικό της συσκευής και μη βυθίσετε ποτέ οποιοδήποτε εξάρτημα της συσκευής σε υγρό.
- ◆ Αφαιρείτε τα κατάλοιπα χρησιμοποιώντας μια σκληρή βούρτσα.
- ◆ Λιπαίνετε την αλυσίδα με λάδι.

Τοποθέτηση και αφαίρεση της αλυσίδας πριονιού (εικ. G & H)

Προειδοποίηση! Φοράτε πάντοτε προστατευτικά γάντια κατά την τοποθέτηση ή την αφαίρεση της αλυσίδας του πριονιού. Η αλυσίδα πριονιού είναι κοφτερή και μπορεί να σας κόψει χωρίς να βρίσκεται σε λειτουργία

- ◆ Τοποθετήστε το εργαλείο πάνω σε μια σταθερή επιφάνεια.
- ◆ Λασκάρτε τις βίδες (16) χρησιμοποιώντας το παρεχόμενο κλειδί Άλεν. Αφαιρέστε τις βίδες.
- ◆ Αφαιρέστε το κάλυμμα οδοντωτού τροχού (5) και το σφινγκήρα μπάρας (17).
- ◆ Περιστρέψτε αριστερόστροφα τη βίδα (18) ώστε να κάνετε δυνατή την υποχώρηση της μπάρας οδηγού (6) και να ελαττώσετε την τάνυση της αλυσίδας πριονιού (7). Αφαιρέστε την παλαιά αλυσίδα πριονιού από τον οδοντωτό τροχό (19) και την μπάρα οδηγού (6).
- ◆ Τοποθετήστε τη νέα αλυσίδα στην εσοχή της μπάρας

οδηγού και γύρω από τον οδοντωτό τροχό. Βεβαιωθείτε ότι τα δόντια βρίσκονται προς τη σωστή κατεύθυνση αντιστοιχώντας το βέλος επάνω στην αλυσίδα πριονιού με το βέλος επάνω στο περίβλημα.

- ◆ Βεβαιωθείτε ότι η εσοχή (20) στην μπάρα οδηγού βρίσκεται πάνω από τους πείρους σταθεροποίησης (21) και ότι η οπή (22) κάτω από την εσοχή βρίσκεται επάνω από τον πείρο ρύθμισης (23).
- ◆ Επανατοθετήστε το κάλυμμα οδοντωτού τροχού (5), το σφινγκήρα μπάρας (17) και τις βίδες (16).
- ◆ Σφίξτε τις βίδες (16) χρησιμοποιώντας το παρεχόμενο κλειδί Άλεν.
- ◆ Ρυθμίστε την τάνυση της αλυσίδας όπως περιγράφεται παρακάτω.

Για να εξασφαλίσετε συνεχή και ασφαλή λειτουργία, η αλυσίδα και η μπάρα οδηγού πρέπει να αντικαθίστανται μόνο με γνήσια εξαρτήματα Black & Decker. Αριθμός ανταλλακτικού αλυσίδας A6158 αριθμός ανταλλακτικού μπάρας οδηγού 623381-00.

Έλεγχος και ρύθμιση της τάνυσης της αλυσίδας (εικ. G)

- ◆ Ελέγχετε την τάνυση της αλυσίδας. Η τάνυση έχει ρυθμιστεί σωστά όταν η αλυσίδα πριονιού (7) επανέρχεται αμέσως στη θέση της, αφού τραβηχτεί σε απόσταση 3 mm από τη ράβδο αλυσίδας με μικρή δύναμη με το μεσαίο δάχτυλο και τον αντίχειρα. Δεν πρέπει να υπάρχει "κοιλιά" μεταξύ της μπάρας οδηγού (6) και της αλυσίδας πριονιού (7) στην κάτω πλευρά.

Για να ρυθμίσετε την τάνυση:

- ◆ Λασκάρτε τις βίδες (16).
- ◆ Περιστρέψτε τη βίδα (18) δεξιόστροφα.

Προειδοποίηση! Μην τεντώσετε υπερβολικά την αλυσίδα, καθώς αυτό θα προκαλέσει υπερβολική φθορά και θα μειώσει τη διάρκεια ζωής της ράβδου και της αλυσίδας.

- ◆ Μόλις πετύχετε τη σωστή τάνυση της αλυσίδας, σφίξτε τις βίδες (16).

Προειδοποίηση! Όταν η αλυσίδα πριονιού είναι καινούρια, ελέγχετε συχνά την τάνυση κατά τη διάρκεια των δύο πρώτων ωρών χρήσης, καθώς μια νέα αλυσίδα πριονιού επιμηκύνεται ελαφρά.

Λάδωμα της αλυσίδας

Η αλυσίδα πριονιού πρέπει να λαδώνεται πριν από κάθε χρήση και μετά τον καθαρισμό χρησιμοποιώντας μόνο το σωστό τύπο λαδιού (αρ. κατ. A6027).

- ◆ Λαδώστε ολόκληρη την αλυσίδα πριονιού (7) ομοιόμορφα με το λαδωτήρι (9).

Φύλαξη

Εάν το εργαλείο δεν πρόκειται να χρησιμοποιηθεί για αρκετούς μήνες, είναι προτιμότερο να αφήσετε την μπαταρία συνδεδεμένη με το φορτιστή.

Διαφορετικά, κάντε τα ακόλουθα:

- ◆ Φορτίστε πλήρως την μπαταρία.
- ◆ Αφαιρέστε την μπαταρία από το εργαλείο.
- ◆ Αποθηκεύστε το εργαλείο και την μπαταρία σε ασφαλές και ξηρό μέρος.
- ◆ Η θερμοκρασία αποθήκευσης πρέπει πάντοτε να παραμένει μεταξύ +10 °C και +40 °C. Τοποθετήστε την μπαταρία πάνω σε επίπεδη επιφάνεια.
- ◆ Πριν χρησιμοποιήσετε το εργαλείο μετά από παρατεταμένη αποθήκευση, επαναφορτίστε πλήρως την μπαταρία.

Προστασία του περιβάλλοντος



Χωριστή συλλογή. Τα προϊόντα και οι μπαταρίες που επισημαίνονται με αυτό το σύμβολο δεν πρέπει να απορρίπτονται μαζί με τα κανονικά οικιακά απορρίμματα.

Τα προϊόντα και οι μπαταρίες περιέχουν υλικά που μπορούν να ανακτηθούν ή να ανακυκλωθούν ώστε να μειωθούν οι ανάγκες για πρώτες ύλες. Παρακαλούμε να ανακυκλώνετε τα ηλεκτρικά προϊόντα και τις μπαταρίες σύμφωνα με τους τοπικούς κανονισμούς. Περισσότερες πληροφορίες διατίθενται στον ιστότοπο www.2helpU.com

Τεχνικά χαρακτηριστικά

		GPC1820L H1	PS1820ST1 H1
Τάση	V _{DC}	18	18
Ταχύτητα αλυσίδας χωρίς φορτίο	min ⁻¹	190	190
Μέγ. μήκος κοπής	cm	17	17
Μέγεθος τασκ	mm	13	13
Βάρος	kg	3,5	3,5

Μπαταρία		BL2018	BL2018ST
Τάση	V _{DC}	18	18
Χωρητικότητα	Ah	2	2
Τύπος		Ιόντων λιθίου	Ιόντων λιθίου

Φορτιστής		905902** (Τύπος 1)	906349**
Τάση εισόδου	V _{DC}	100 - 240	200-240
Τάση εξόδου	Ah	8 - 20	8-20
Ρεύμα εξόδου	mA	400	1000

Στάθμη ηχητικής πίεσης σύμφωνα με το EN 60745:

Ηχητική πίεση (L_{WA}) 78 dB(A), αβεβαιότητα (K) 3 dB(A)

Ηχητική ισχύς (L_{WA}) 98 dB(A), αβεβαιότητα (K) 3 dB(A)

Οι συνολικές τιμές δόνησης (διανυσματικό άθροισμα τριών αξόνων) κατά EN 60745:

Κοπή πρόσφατα υλοτομημένου μαλακού ξύλου (a_{h,v}) <2,5 m/s², αβεβαιότητα (K) 1,5 m/s²

Δήλωση συμμόρφωσης ΕΚ

ΟΔΗΓΙΑ ΠΕΡΙ ΜΗΧΑΝΗΜΑΤΩΝ



GPC1820L, PS1820ST1 - Κλαδευτήρι μπαταρίας με κοντάρι

Η Black & Decker δηλώνει ότι τα προϊόντα αυτά που περιγράφονται στα «τεχνικά χαρακτηριστικά» συμμορφώνονται με τα ακόλουθα:

2006/42/ΕΚ, EN 60745-1:2009 +A1:2010,
EN 60745-2-15:2009 +A1:2010

Αυτά τα προϊόντα συμμορφώνονται επίσης με την οδηγία 2014/30/ΕΕ και 2011/65/ΕΕ. Για περισσότερες πληροφορίες, επικοινωνήστε με την Black & Decker στην παρακάτω διεύθυνση ή να ανατρέξετε στο πίσω μέρος του εγχειριδίου.

Ο κάτωθι υπογεγραμμένος είναι υπεύθυνος για την κατάρτιση του τεχνικού φακέλου και κάνει αυτή τη δήλωση για λογαριασμό της Black & Decker.

R. Laverick

Υπεύθυνος Σχεδιασμού

Black & Decker Europe, 210 Bath Road, Slough,
Berkshire, SL1 3YD

United Kingdom

21/11/2016

Εγγύηση

Η Black & Decker είναι σίγουρη για την ποιότητα των προϊόντων της και προσφέρει στους καταναλωτές εγγύηση 24 μηνών από την ημερομηνία αγοράς. Αυτή η εγγύηση συμπληρώνει και με κανένα τρόπο δεν παραβάλλει τα νόμιμα δικαιώματά σας. Η εγγύηση ισχύει εντός της επικράτειας των χωρών μελών της Ευρωπαϊκής Ένωσης και της Ευρωπαϊκής Ζώνης Ελεύθερων Συναλλαγών. Για να υποβάλετε αξίωση βάσει της εγγύησης, η αξίωση θα πρέπει να είναι σύμφωνη με τους Όρους και προϋποθέσεις της Black&Decker και θα χρειαστεί να υποβάλετε απόδειξη αγοράς στον πωλητή ή σε εξουσιοδοτημένο αντιπρόσωπο σέρβις.

Μπορείτε να αποκτήσετε τους Όρους και προϋποθέσεις της εγγύησης 2 ετών της Black&Decker και να μάθετε την τοποθεσία του πλησιέστερου εξουσιοδοτημένου αντιπροσώπου σέρβις στο Internet στο www.2helpU.com, ή επικοινωνώντας με το τοπικό σας γραφείο Black & Decker στη διεύθυνση που υποδεικνύεται στο παρόν εγχειρίδιο.

Παρακαλούμε επισκεφθείτε την ιστοσελίδα μας www.blackanddecker.gr για να καταχωρίσετε το νέο σας προϊόν Black & Decker και για να ενημερώσετε για τα νέα προϊόντα και τις ειδικές προσφορές.

België/Belgique/Luxembourg www.blackanddecker.be enduser.be@sbdinc.com	Stanley Black & Decker Belgium BVBA Egide Walschaertsstraat 16 2800 Mechelen	Tel. NL +32 15 47 37 65 Tel. FR +32 15 47 37 66 Fax. +32 15 47 37 99
Danmark	Black & Decker Roskildevej 22 2620 Albertslund	kundeservice.dk@sbdinc.com www.blackanddecker.dk
Deutschland www.blackanddecker.de infobfge@sbdinc.com	Stanley Black & Decker Deutschland GmbH Black & Decker Str. 40, D - 65510 Idstein	Tel. 06126 21-0 Fax 06126 21-2980
Ελλάδα www.blackanddecker.gr greece.service@sbdinc.com	Stanley Black & Decker (ΕΛΛΑΣ) Ε.Π.Ε ΓΡΑΦΕΙΑ: Στρέβλωνος 7 & Βουλιαγμένης 166 74 Γλυφάδα - Αθήνα	Τηλ. 210-8981616 Φαξ 210-8983570
SERVICE:	Ημερος Τόπος 2 -Χάνι Αδάμ 193 00 Ασπρόπυργος - Αθήνα	Τηλ. Service 210-8985208 Φαξ 210-5597598
España www.blackanddecker.es respuesta.posventa@sbdinc.com	Stanley Black & Decker Ibérica, S.C.A. Parc de Negocis "Mas Blau" Edificio Muntadas, c/Bergadà, 1, Of. A6 08820 El Prat de Llobregat (Barcelona)	Tel. 934 797 400 Fax 934 797 419
France www.blackanddecker.fr	Black & Decker (France) S.A.S. 5 allée des Hêtres B.P. 30084 69579 Limonest Cédex	Tel. 04 72 20 39 20 Fax 04 72 20 39 00
Helvetia www.blackanddecker.ch service@rofoag.ch	ROFO AG Gewerbezone Seeblick 3213 Kleinbösingen	Tel. 026-6749393 Fax 026-6749394
Italia www.blackanddecker.it service.italia@sbdinc.com	Stanley Black & Decker Italia Via Energypark 6 20871 Vimercate (MB)	Tel. 039-9590200 Fax 039-9590313 Numero verde 800-213935
Nederland www.blackanddecker.nl enduser.nl@sbdinc.com	Stanley Black & Decker Netherlands BV Holtum Noordweg 35, 6121 RE BORN Postbus 83, 6120 AB BORN	Tel. +31 164 283 065 Fax +31 164 283 200
Norge	Black & Decker Postboks 4613, Nydalen 0405 Oslo	kundeservice.no@sbdinc.com www.blackanddecker.no
Österreich www.blackanddecker.at service.austria@sbdinc.com	Stanley Black & Decker Austria GmbH Oberlaaerstraße 248, A-1230 Wien	Tel. 01 66116-0 Fax 01 66116-614
Portugal www.blackanddecker.pt resposta.posvenda@sbdinc.com	Black & Decker Limited SARL Quinta da Fonte - Edifício Q55 D, Diniz Rua dos Malhões, 2 e 2A - Piso 2 Esquerdo 2770 - 071 Paço de Arcos	Tel. 214667500 Fax 214667580
Suomi	Black & Decker PL47 00521, Helsinki	asiakaspalvelu.fi@sbdinc.com www.blackanddecker.fi
Sverige	Black & Decker AB Box 94, 431 22 Mölndal	kundservice.se@sbdinc.com www.blackanddecker.se
Türkiye www.blackanddecker.com.tr	KALE Hirdavat ve Makina A.Ş. Deftedar Mah. Savaklar Cad. No:15 Edirnekapı / Eyüp / İstanbul 34050	Tel. 0212 533 52 55 Fax. 0212 533 10 05
United Kingdom & Republic Of Ireland www.blackanddecker.co.uk emeaservice@sbdinc.com	Black & Decker 210 Bath Road Slough, Berkshire SL1 3YD	Tel. 01753 511234 Fax 01753 512365
Middle East & Africa www.blackanddecker.ae service.mea@sbdinc.com	Black & Decker P.O.Box - 17164 Jebel Ali Free Zone (South), Dubai, UAE	Tel. +971 4 8863030 Fax +971 4 8863333