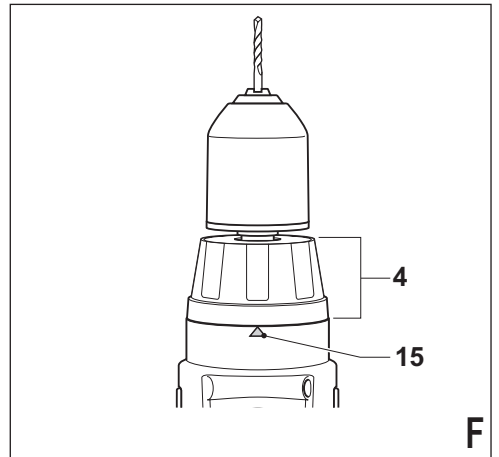
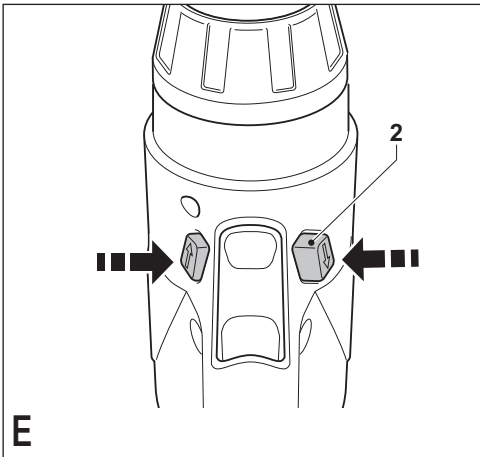
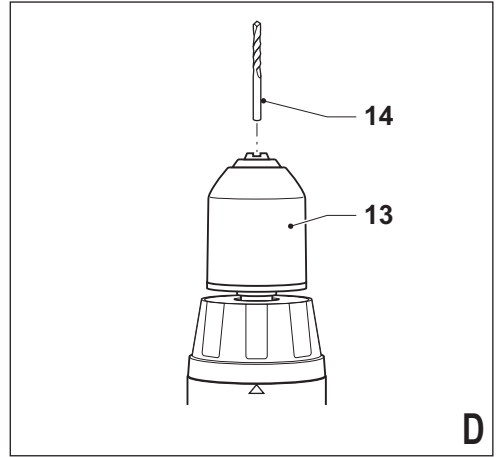
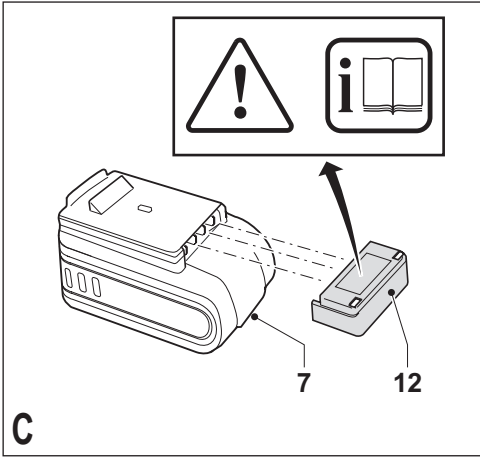
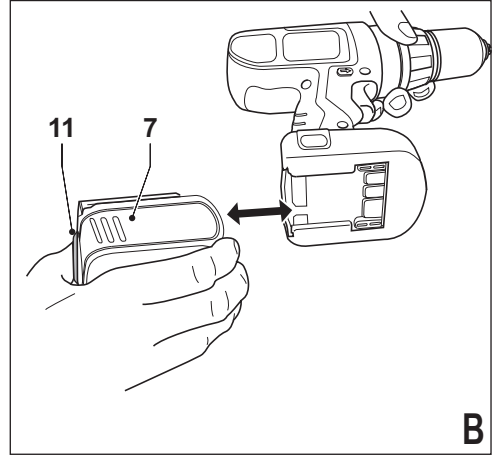
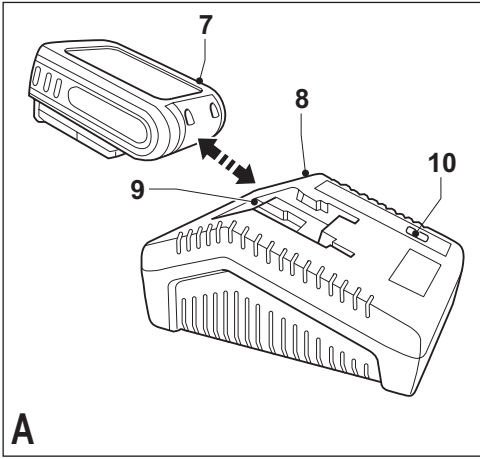
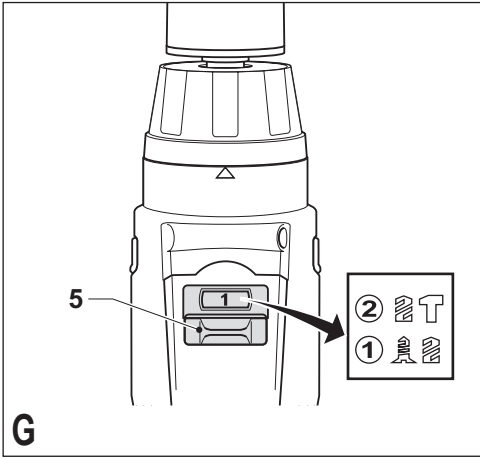


English	4
Deutsch	10
Français	17
Italiano	24
Nederlands	31
Español	38
Português	45
Svenska	52
Norsk	58
Dansk	64
Suomi	70
Ελληνικά	76





Intended use

Your Black & Decker drill/screwdriver has been designed for screwdriving applications and for drilling in wood, metal, plastics and soft masonry. This tool is intended for consumer use only.

Safety instructions

General power tool safety warnings



Warning! Read all safety warnings and all instructions. Failure to follow the warnings and instructions listed below may result in electric shock, fire and/or serious injury.

Save all warnings and instructions for future reference.

The term "power tool" in all of the warnings listed below refers to your mains operated (corded) power tool or battery operated (cordless) power tool.

1. Work area safety

- a. **Keep work area clean and well lit.** Cluttered or dark areas invite accidents.
- b. **Do not operate power tools in explosive atmospheres, such as in the presence of flammable liquids, gases or dust.** Power tools create sparks which may ignite the dust or fumes.
- c. **Keep children and bystanders away while operating a power tool.** Distractions can cause you to lose control.

2. Electrical safety

- a. **Power tool plugs must match the outlet. Never modify the plug in any way. Do not use any adapter plugs with earthed (grounded) power tools.** Unmodified plugs and matching outlets will reduce risk of electric shock.
- b. **Avoid body contact with earthed or grounded surfaces such as pipes, radiators, ranges and refrigerators.** There is an increased risk of electric shock if your body is earthed or grounded.
- c. **Do not expose power tools to rain or wet conditions.** Water entering a power tool will increase the risk of electric shock.
- d. **Do not abuse the cord. Never use the cord for carrying, pulling or unplugging the power tool. Keep cord away from heat, oil, sharp edges or moving parts.** Damaged or entangled cords increase the risk of electric shock.
- e. **When operating a power tool outdoors, use an extension cord suitable for outdoor use.** Use of a cord suitable for outdoor use reduces the risk of electric shock.
- f. **If operating a power tool in a damp location is unavoidable, use a residual current device (RCD) protected supply.** Use of an RCD reduces the risk of electric shock.

3. Personal safety

- a. **Stay alert, watch what you are doing and use common sense when operating a power tool. Do not use a power tool while you are tired or under the influence of drugs, alcohol or medication.** A moment of inattention while operating power tools may result in serious personal injury.
- b. **Use personal protective equipment. Always wear eye protection.** Protective equipment such as dust mask, non-skid safety shoes, hard hat, or hearing protection used for appropriate conditions will reduce personal injuries.
- c. **Prevent unintentional starting. Ensure the switch is in the off-position before connecting to power source and/or battery pack, picking up or carrying the tool.** Carrying power tools with your finger on the switch or energising power tools that have the switch on invites accidents.
- d. **Remove any adjusting key or wrench before turning the power tool on.** A wrench or a key left attached to a rotating part of the power tool may result in personal injury.
- e. **Do not overreach. Keep proper footing and balance at all times.** This enables better control of the power tool in unexpected situations.
- f. **Dress properly. Do not wear loose clothing or jewellery. Keep your hair, clothing and gloves away from moving parts.** Loose clothes, jewellery or long hair can be caught in moving parts.
- g. **If devices are provided for the connection of dust extraction and collection facilities, ensure these are connected and properly used.** Use of dust collection can reduce dust-related hazards.

4. Power tool use and care

- a. **Do not force the power tool. Use the correct power tool for your application.** The correct power tool will do the job better and safer at the rate for which it was designed.
- b. **Do not use the power tool if the switch does not turn it on and off.** Any power tool that cannot be controlled with the switch is dangerous and must be repaired.
- c. **Disconnect the plug from the power source and/or the battery pack from the power tool before making any adjustments, changing accessories, or storing power tools.** Such preventive safety measures reduce the risk of starting the power tool accidentally.
- d. **Store idle power tools out of the reach of children and do not allow persons unfamiliar with the power tool or these instructions to operate the power tool.** Power tools are dangerous in the hands of untrained users.
- e. **Maintain power tools. Check for misalignment or binding of moving parts, breakage of parts and any other condition that may affect the power tools operation.** If damaged, have the power tool repaired before use. Many accidents are caused by poorly maintained power tools.

- f. **Keep cutting tools sharp and clean.** Properly maintained cutting tools with sharp cutting edges are less likely to bind and are easier to control.
 - g. **Use the power tool, accessories and tool bits etc. in accordance with these instructions, taking into account the working conditions and the work to be performed.** Use of the power tool for operations different from those intended could result in a hazardous situation.
- 5. Battery tool use and care**
- a. **Recharge only with the charger specified by the manufacturer.** A charger that is suitable for one type of battery pack may create a risk of fire when used with another battery pack.
 - b. **Use power tools only with specifically designated battery packs.** Use of any other battery packs may create a risk of injury and fire.
 - c. **When battery pack is not in use, keep it away from other metal objects, like paper clips, coins, keys, nails, screws, or other small metal objects, that can make a connection from one terminal to another.** Shorting the battery terminals together may cause burns or a fire.
 - d. **Under abusive conditions, liquid may be ejected from the battery; avoid contact. If contact accidentally occurs, flush with water. If liquid contacts eyes, additionally seek medical help.** Liquid ejected from the battery may cause irritation or burns.
- 6. Service**
- a. **Have your power tool serviced by a qualified repair person using only identical replacement parts.** This will ensure that the safety of the power tool is maintained.

Additional power tool safety warnings



Warning! Additional safety warnings for drills and impact drills

- ◆ **Wear ear protectors with impact drills.** Exposure to noise can cause hearing loss.
- ◆ **Use auxiliary handles supplied with the tool.** Loss of control can cause personal injury.
- ◆ **Hold power tool by insulated gripping surfaces when performing an operation where the cutting accessory may contact hidden wiring or its own cord.** Cutting accessory contacting a "live" wire may make exposed metal parts of the power tool "live" and shock the operator.
- ◆ **Use clamps or another practical way to secure and support the workpiece to a stable platform.** Holding the work by hand or against your body leaves it unstable and may lead to loss of control.

- ◆ Before drilling into walls, floors or ceilings, check for the location of wiring and pipes.
- ◆ Avoid touching the tip of a drill bit just after drilling, as it may be hot.
- ◆ This tool is not intended for use by persons (including children) with reduced physical, sensory or mental capabilities, or lack of experience and knowledge, unless they have been given supervision or instruction concerning use of the appliance by a person responsible for their safety. Children should be supervised to ensure that they do not play with the appliance.
- ◆ The intended use is described in this instruction manual. The use of any accessory or attachment or performance of any operation with this tool other than those recommended in this instruction manual may present a risk of personal injury and/or damage to property.

Vibration

The declared vibration emission values stated in the technical data and the declaration of conformity have been measured in accordance with a standard test method provided by EN 60745 and may be used for comparing one tool with another. The declared vibration emission value may also be used in a preliminary assessment of exposure.

Warning! The vibration emission value during actual use of the power tool can differ from the declared value depending on the ways in which the tool is used. The vibration level may increase above the level stated.

When assessing vibration exposure to determine safety measures required by 2002/44/EC to protect persons regularly using power tools in employment, an estimation of vibration exposure should consider, the actual conditions of use and the way the tool is used, including taking account of all parts of the operating cycle such as the times when the tool is switched off and when it is running idle in addition to the trigger time.

Labels on tool

The following pictograms are shown on the tool:



Warning! To reduce the risk of injury, the user must read the instruction manual.

Additional safety instructions for batteries and chargers

Batteries

- ◆ Never attempt to open for any reason.
- ◆ Do not expose the battery to water.
- ◆ Do not store in locations where the temperature may exceed 40 °C.

- ◆ Charge only at ambient temperatures between 10 °C and 40 °C.
- ◆ Charge only using the charger provided with the tool.
- ◆ When disposing of batteries, follow the instructions given in the section "Protecting the environment".



Do not attempt to charge damaged batteries.

Chargers

- ◆ Use your Black & Decker charger only to charge the battery in the tool with which it was supplied. Other batteries could burst, causing personal injury and damage.
- ◆ Never attempt to charge non-rechargeable batteries.
- ◆ Have defective cords replaced immediately.
- ◆ Do not expose the charger to water.
- ◆ Do not open the charger.
- ◆ Do not probe the charger.



The charger is intended for indoor use only.



Read the instruction manual before use.



The charger automatically shuts off if the ambient temperature becomes too high. As soon as the ambient temperature has cooled down, the charger will resume operating.



Battery too hot



Charge only at ambient temperatures between 10 °C and 40 °C.



Charging process completed (continuous green light)



Charging (green flashing light)



Defective battery



Low mains supply

Electrical safety



Your charger is double insulated; therefore no earth wire is required. Always check that the mains voltage corresponds to the voltage on the rating plate.

Never attempt to replace the charger unit with a regular mains plug.

- ◆ If the supply cord is damaged, it must be replaced by the manufacturer or an authorised Black & Decker Service Centre in order to avoid a hazard.

Features

This tool includes some or all of the following features.

1. Variable speed switch
2. Forward/reverse slider
3. Chuck
4. Mode selector / torque adjustment collar
5. Two-gear selector
6. Bit holder
7. Battery

Fig. A

8. Charger
9. Charger receptacle
10. Charging indicator

Assembly

Warning! Before assembly, remove the battery from the tool.

Fitting and removing the battery (fig. B)

- ◆ To fit the battery (7), line it up with the receptacle on the tool. Slide the battery into the receptacle and push until the battery snaps into place.
- ◆ To remove the battery, push the release button (11) while at the same time pulling the battery out of the receptacle.

Fitting the battery cap (fig. C)

Warning! Fit the cap (12) to the battery (7) for transportation and storage.

Fitting and removing a drill bit or screwdriver bit (fig. D)

This tool is fitted with a keyless chuck to allow for an easy exchange of bits.

- ◆ Lock the tool by setting the forward/reverse slider (2) to the centre position.
- ◆ Open the chuck by turning the sleeve (13) with one hand while holding the tool with the other.
- ◆ Insert the bit shaft (14) into the chuck.
- ◆ Firmly tighten the chuck by turning sleeve (13) with one hand while holding the tool with the other.

This tool is supplied with a double-ended screwdriver bit in the bit holder (6).

- ◆ To remove the screwdriver bit from the bit holder, lift the bit from the recess.
- ◆ To store the screwdriver bit, firmly push it into the holder.

Use

Warning! Let the tool work at its own pace. Do not overload.

Charging the battery (fig. A)

Warning! Do not charge the battery at ambient temperatures below 10 °C or above 40 °C. Recommended charging temperature: approx. 24 °C.

Note: The charger will not charge a battery if the cell temperature is below approximately 0 °C or above 60 °C. The battery should be left in the charger and the charger will begin to charge automatically when the cell temperature warms up or cools down.

- ◆ Plug in the charger (8) and switch on at the mains.
- ◆ Insert the battery (7) into the charger. Make sure that the battery is fully seated in the charger (8).

The charging indicator (10) will flash continuously (slowly). The charge is complete when the charging indicator (10) lights continuously. The charger and the battery can be left connected indefinitely with the LED illuminated. The LED will change to flashing (charging) state as the charger occasionally tops off the battery charge. The charging indicator (10) will be lit as long as the battery is connected to the plugged-in charger.

- ◆ Charge discharged batteries within 1 week. Battery life will be greatly diminished if stored in a discharged state.

Charging indicators

If the charger detects a problem with the battery, the charging indicator (10) will flash at a fast rate. Proceed as follows:

- ◆ Re-insert the battery (7).
- ◆ If the charging indicators continues flashing at a fast rate, use a different battery to determine if the charging process works properly.
- ◆ If the replaced battery charges correctly, the original battery is defective and should be returned to a service centre for recycling.
- ◆ If the new battery gives the same indication as the original battery, take the charger to be tested at an authorised services centre.

Note: It may take as long as 15 minutes to determine that the battery is defective. If the battery is too hot or too cold, the LED will alternately blink fast and slow, one flash at each speed and repeat.

Selecting the direction of rotation (fig. E)


For drilling and for tightening screws, use forward (clockwise) rotation. For loosening screws or removing a jammed drill bit, use reverse (counterclockwise) rotation.

- ◆ To select forward rotation, push the forward/reverse slider (2) to the left.
- ◆ To select reverse rotation, push the forward/reverse slider to the right.


- ◆ To lock the tool, set the forward/reverse slider into the centre position.

Selecting the operating mode or torque (fig. F)

This tool is fitted with a collar to select the operating mode and to set the torque for tightening screws. Large screws and hard workpiece materials require a higher torque setting than small screws and soft workpiece materials. The collar has a wide range of settings to suit your application.

- ◆ For drilling in wood, metal and plastics, set the collar (4) to the drilling position by aligning the symbol  with the marking (15).
- ◆ For screwdriving, set the collar to the desired setting. If you do not yet know the appropriate setting, proceed as follows:
 - Set the collar (4) to the lowest torque setting.
 - Tighten the first screw.
 - If the clutch ratchets before the desired result is achieved, increase the collar setting and continue tightening the screw. Repeat until you reach the correct setting. Use this setting for the remaining screws.

HP148F4L/HP188F4 - Drilling in masonry (fig. F & G)

- ◆ For drilling in masonry, set the collar (4) to the hammer drilling position by aligning the symbol  with the marking (15).
- ◆ Slide the two-gear selector (5) towards the front of the tool (2nd gear).

Two-gear selector (fig. G)

- ◆ For drilling in steel and for screwdriving applications, slide the two-gear selector (5) towards the rear of the tool (1st gear).
- ◆ For drilling in materials other than steel, slide the two-gear selector (5) towards the front of the tool (2nd gear).

Drilling/screwdriving

- ◆ Select forward or reverse rotation using the forward/reverse slider (2).
- ◆ To switch the tool on, press the switch (1). The tool speed depends on how far you press the switch.
- ◆ To switch the tool off, release the switch.

Hints for optimum use

Drilling

- ◆ Always apply a light pressure in a straight line with the drill bit.
- ◆ Just before the drill tip breaks through the other side of the workpiece, decrease pressure on the tool.
- ◆ Use a block of wood to back up workpieces that may splinter.

- ◆ Use spade bits when drilling large diameter holes in wood.
- ◆ Use HSS drill bits when drilling in metal.
- ◆ Use masonry bits when drilling in soft masonry.
- ◆ Use a lubricant when drilling metals other than cast iron and brass.
- ◆ Make an indentation using a centre punch at the centre of the hole to be drilled in order to improve accuracy.

Screwdriving

- ◆ Always use the correct type and size of screwdriver bit.
- ◆ If screws are difficult to tighten, try applying a small amount of washing liquid or soap as a lubricant.
- ◆ Always hold the tool and screwdriver bit in a straight line with the screw.

Maintenance

Your Black & Decker tool has been designed to operate over a long period of time with a minimum of maintenance. Continuous satisfactory operation depends upon proper tool care and regular cleaning.

Your charger does not require any maintenance apart from regular cleaning.

Warning! Before performing any maintenance on the tool, remove the battery from the tool. Unplug the charger before cleaning it.

- ◆ Regularly clean the ventilation slots in your tool and charger using a soft brush or dry cloth.
- ◆ Regularly clean the motor housing using a damp cloth. Do not use any abrasive or solvent-based cleaner.
- ◆ Regularly open the chuck and tap it to remove any dust from the interior.

Protecting the environment



Separate collection. This product must not be disposed of with normal household waste.

Should you find one day that your Black & Decker product needs replacement, or if it is of no further use to you, do not dispose of it with household waste. Make this product available for separate collection.



Separate collection of used products and packaging allows materials to be recycled and used again. Re-use of recycled materials helps prevent environmental pollution and reduces the demand for raw materials.

Local regulations may provide for separate collection of electrical products from the household, at municipal waste sites or by the retailer when you purchase a new product.

Black & Decker provides a facility for the collection and recycling of Black & Decker products once they have reached the end of their working life. To take advantage of this service please return your product to any authorised repair agent who will collect them on our behalf.

You can check the location of your nearest authorised repair agent by contacting your local Black & Decker office at the address indicated in this manual. Alternatively, a list of authorised Black & Decker repair agents and full details of our after-sales service and contacts are available on the Internet at: www.2helpU.com

Batteries



Black & Decker batteries can be recharged many times. At the end of their useful life, discard batteries with due care for our environment:

- ◆ Run the battery down completely, then remove it from the tool.
- ◆ NiCd, NiMH and Li-Ion batteries are recyclable. Take them to any authorised repair agent or a local recycling station.

Technical data

		HP146F4L	HP148F4L
Voltage	V _{DC}	14.4	14.4
No-load speed	min ⁻¹	0-350/0-1,200	0-350/0-1,200
Max. torque	Nm	28	29
Chuck capacity	mm	13	13
Max. drilling capacity			
steel/wood/masonry	mm	13/19	13/19/13
Battery cat. no.		A1114L	A1114L
Weight (without battery)	kg	1.33	1.38

		HP186F4L	HP188F4L
Voltage	V _{DC}	18	18
No-load speed	min ⁻¹	0-350/0-1,200	0-350/0-1,200
Max. torque	Nm	33	34
Chuck capacity	mm	13	13
Max. drilling capacity			
steel/wood/masonry	mm	13/25	13/25/13
Battery cat. no.		A1118L	A1118L
Weight (without battery)	kg	1.33	1.38

Battery		A1114L	A1118L
Voltage	V _{DC}	14.4	18
Capacity	Ah	1.1	1.1
Weight	kg	0.37	0.44

Charger

Input voltage	V_{AC}	230
Approx. charging time	h	1
Weight	kg	0.55

EC declaration of conformity

HP146F4L H1/HP148F4L H1/HP186F4L H1/HP188F4L H1
 Black & Decker declares that these products conform to:
 98/37/EC, EN 60745

Level of sound pressure according to EN 60745:

Sound pressure (L_{pA}) 87.7 dB(A), uncertainty (K) 3 dB(A)

Acoustic power (L_{WA}) 98.7 dB(A), uncertainty (K) 3 dB(A)

Vibration total values (triax vector sum) according to
 EN 60745:

Impact drilling into concrete ($a_{h, ID}$) 17.7 m/s²,
 uncertainty (K) 1.5 m/s²

Drilling into metal ($a_{h, D}$) 1.32 m/s², uncertainty (K) 1.5 m/s²

Screwdriving without impact ($a_{h, s}$) 0.65 m/s²,
 uncertainty (K) 1.5 m/s²

The undersigned is responsible for compilation of the technical
 file and makes this declaration on behalf of Black & Decker.



Kevin Hewitt
 Director of Consumer Engineering
 Spennymoor, County Durham DL16 6JG,
 United Kingdom
 28-5-2009

If a Black & Decker product becomes defective due to faulty materials, workmanship or lack of conformity, within 24 months from the date of purchase, Black & Decker guarantees to replace defective parts, repair products subjected to fair wear and tear or replace such products to ensure minimum inconvenience to the customer unless:

- ◆ The product has been used for trade, professional or hire purposes;
- ◆ The product has been subjected to misuse or neglect;
- ◆ The product has sustained damage through foreign objects, substances or accidents;
- ◆ Repairs have been attempted by persons other than authorised repair agents or Black & Decker service staff.

To claim on the guarantee, you will need to submit proof of purchase to the seller or an authorised repair agent. You can check the location of your nearest authorised repair agent by contacting your local Black & Decker office at the address indicated in this manual. Alternatively, a list of authorised Black & Decker repair agents and full details of our after-sales service and contacts are available on the Internet at:

www.2helpU.com

Please visit our website **www.blackanddecker.co.uk** to register your new Black & Decker product and to be kept up to date on new products and special offers. Further information on the Black & Decker brand and our range of products is available at **www.blackanddecker.co.uk**

Guarantee

Black & Decker is confident of the quality of its products and offers an outstanding guarantee. This guarantee statement is in addition to and in no way prejudices your statutory rights. The guarantee is valid within the territories of the Member States of the European Union and the European Free Trade Area.

Bestimmungsgemäße Verwendung

Ihr Black & Decker Bohrschrauber wurde für Schraubaufgaben sowie für das Bohren in Holz, Metall, Kunststoff und weiches Mauerwerk konstruiert. Dieses Gerät ist nicht für den gewerblichen Einsatz vorgesehen.

Sicherheitshinweise

Allgemeine Warnhinweise zur Sicherheit von Elektrowerkzeugen



Achtung! Lesen Sie sämtliche Sicherheitswarnhinweise und sonstigen Anweisungen. Die Nichteinhaltung der nachstehend aufgeführten Warnhinweise und sonstigen Anweisungen kann einen elektrischen Schlag, Brand und/oder schwere Verletzungen verursachen.

Bewahren Sie alle Warnhinweise und sonstigen Anweisungen zur künftigen Bezugnahme auf. Der nachfolgend verwendete Begriff "Gerät" bezieht sich auf netzbetriebene Geräte (mit Netzkabel) und auf akkubetriebene Geräte (ohne Netzkabel).

1. Sicherheit am Arbeitsplatz

- a. **Halten Sie Ihren Arbeitsbereich sauber und gut ausgeleuchtet.** Unordnung und dunkle Arbeitsbereiche fordern Unfälle geradezu heraus.
- b. **Arbeiten Sie mit Geräten nicht in explosionsgefährdeter Umgebung, in der sich brennbare Flüssigkeiten, Gase oder Stäube befinden.** Geräte erzeugen Funken, die den Staub oder die Dämpfe entzünden können.
- c. **Halten Sie Kinder und andere Personen während der Benutzung eines Geräts fern.** Bei Ablenkung können Sie die Kontrolle verlieren.

2. Elektrische Sicherheit

- a. **Der Anschlussstecker des Geräts muß in die Steckdose passen. Der Stecker darf in keiner Weise verändert werden. Verwenden Sie keine Adapterstecker gemeinsam mit schutzgeerdeten Geräten.** Unveränderte Stecker und passende Steckdosen verringern das Risiko eines elektrischen Schlages.
- b. **Vermeiden Sie Körperkontakt mit geerdeten Oberflächen von Rohren, Heizungen, Herden und Kühlschränken.** Es besteht ein erhöhtes Risiko eines elektrischen Schlages, wenn Ihr Körper geerdet ist.

- c. **Halten Sie Geräte von Regen und Nässe fern.** Das Eindringen von Wasser in ein Gerät erhöht das Risiko eines elektrischen Schlages.
- d. **Mißbrauchen Sie nicht das Kabel. Verwenden Sie das Kabel niemals zum Tragen, Ziehen oder Trennen des Gerätes vom Netz. Halten Sie das Kabel fern von Hitze, Öl, scharfen Kanten oder sich bewegenden Teilen.** Beschädigte oder verwickelte Kabel erhöhen das Risiko eines elektrischen Schlages.
- e. **Wenn Sie mit einem Gerät im Freien arbeiten, verwenden Sie nur Verlängerungskabel, die auch für den Außenbereich zugelassen sind.** Die Verwendung eines für den Außenbereich geeigneten Verlängerungskabels verringert das Risiko eines elektrischen Schlages.
- f. **Falls der Betrieb des Elektrowerkzeugs in einer feuchten Umgebung unvermeidbar ist, verwenden Sie einen mit einem Fehlerstromschutzschalter (FI-Schutzschalter) abgesicherten Stromkreis.** Durch die Verwendung eines FI-Schutzschalters wird das Risiko eines Stromschlages verringert.

3. Sicherheit von Personen

- a. **Seien Sie aufmerksam, achten Sie darauf, was Sie tun, und gehen Sie vernünftig mit einem Gerät um. Benutzen Sie das Gerät nicht, wenn Sie müde sind oder unter dem Einfluß von Drogen, Alkohol oder Medikamenten stehen.** Ein Moment der Unachtsamkeit beim Gebrauch von Geräten kann zu ernsthaften Verletzungen führen.
- b. **Tragen Sie persönliche Schutzausrüstung. Tragen Sie immer eine Schutzbrille.** Das Tragen persönlicher Schutzausrüstung, wie Staubmaske, rutschfeste Sicherheitsschuhe, Schutzhelm oder Gehörschutz, je nach Art und Einsatz des Elektrowerkzeuges, verringert das Risiko von Verletzungen.
- c. **Vermeiden Sie eine unbeabsichtigte Inbetriebnahme. Vergewissern Sie sich, dass der Schalter auf der Aus-Stellung steht, bevor Sie den Stecker in die Steckdose stecken und/oder das Akkupaket im Werkzeug stecken, das Werkzeug aufnehmen oder tragen.** Wenn Sie beim Tragen des Elektrowerkzeugs den Finger am Schalter haben oder das Werkzeug eingeschaltet an die Stromversorgung anschließen, kann dies zu Unfällen führen.
- d. **Entfernen Sie Einstell- oder Schraubenschlüssel, bevor Sie das Gerät einschalten.** Ein Schlüssel, der sich in einem sich drehenden Teil befindet, kann zu Verletzungen führen.
- e. **Nicht zu weit nach vorne strecken! Achten Sie auf einen sicheren Stand, um in jeder Arbeitsposition das Gleichgewicht zu halten.** Dadurch können Sie das Gerät in unerwarteten Situationen besser unter Kontrolle halten.

- f. **Tragen Sie geeignete Kleidung. Tragen Sie keine weite Kleidung oder Schmuck. Halten Sie Haare, Kleidung und Handschuhe fern von sich bewegenden Teilen.** Lockere Kleidung, Schmuck oder lange Haare können von sich bewegenden Teilen erfaßt werden.
- g. **Falls Staubabsaug- und -auffangvorrichtungen vorhanden sind, vergewissern Sie sich, daß diese angeschlossen sind und richtig verwendet werden.** Das Verwenden dieser Einrichtungen verringert Gefährdungen durch Staub.

4. Gebrauch und Pflege von Geräten

- a. **Überlasten Sie das Gerät nicht. Verwenden Sie für Ihre Arbeit das dafür bestimmte Gerät.** Mit dem passenden Gerät arbeiten Sie besser und sicherer im angegebenen Leistungsbereich.
- b. **Benutzen Sie kein Gerät, dessen Schalter defekt ist.** Ein Gerät, das sich nicht mehr ein- oder ausschalten läßt, ist gefährlich und muß repariert werden.
- c. **Trennen Sie den Stecker von der Stromquelle und/ oder das Akkupaket vom Elektrowerkzeug, bevor Einstellungen vorgenommen, Zubehör gewechselt oder Elektrowerkzeuge verstaut werden.** Diese Vorsichtsmaßnahmen verhindern den unbeabsichtigten Start des Gerätes.
- d. **Bewahren Sie unbenutzte Geräte außerhalb der Reichweite von Kindern auf. Lassen Sie Geräte nicht von Personen benutzen, die damit nicht vertraut sind oder diese Anweisungen nicht gelesen haben.** Geräte sind gefährlich, wenn Sie von unerfahrenen Personen benutzt werden.
- e. **Halten Sie Geräte in einem einwandfreien Zustand. Kontrollieren Sie, ob bewegliche Teile falsch ausgerichtet sind oder klemmen und ob Teile gebrochen oder so beschädigt sind, daß die Funktion des Geräts beeinträchtigt ist. Lassen Sie beschädigte Geräte vor dem Gebrauch reparieren.** Viele Unfälle haben ihre Ursache in schlecht gewarteten Geräten.
- f. **Halten Sie Schneidgeräte scharf und sauber.** Sorgfältig gepflegte Schneidgeräte mit scharfen Schneidkanten verklemmen sich weniger und sind leichter zu führen.
- g. **Verwenden Sie das Elektrowerkzeug, Zubehör sowie Werkzeug-Bits, usw. entsprechend diesen Anweisungen. Berücksichtigen Sie dabei die Arbeitsbedingungen sowie die durchzuführende Arbeit.** Der Gebrauch von Geräten für andere als die vorgesehenen Anwendungen kann zu gefährlichen Situationen führen.

5. Gebrauch und Pflege von Akkugeräten

- a. **Laden Sie die Akkus nur in Ladegeräten auf, die vom Hersteller angegeben wurden.** Für ein Ladegerät, das nur für eine bestimmte Akkuart geeignet ist, besteht Brandgefahr, wenn es mit anderen Akkus verwendet wird.

- b. **Verwenden Sie nur die für die Geräte vorgesehenen Akkus.** Der Gebrauch von anderen Akkus kann zu Verletzungen und Brandgefahr führen.
- c. **Halten Sie den nicht benutzten Akku fern von Büroklammern, Münzen, Schlüsseln, Nägeln, Schrauben oder anderen kleinen Metallgegenständen, die eine Überbrückung der Kontakte verursachen könnten.** Ein Kurzschluss zwischen den Akkukontakten kann Verbrennungen oder Feuer zur Folge haben.
- d. **Bei falscher Anwendung kann Flüssigkeit aus dem Akku austreten. Vermeiden Sie den Kontakt damit. Bei unbeabsichtigtem Kontakt mit Wasser abspülen. Gelangt die Flüssigkeit in die Augen, ziehen Sie außerdem ärztliche Hilfe hinzu.** Austretende Batterieflüssigkeit kann zu Hautreizungen oder Verbrennungen führen.

6. Service

- a. **Lassen Sie Ihr Gerät nur von qualifiziertem Fachpersonal und nur mit Original-Ersatzteilen reparieren.** Damit wird gewährleistet, daß die Sicherheit des Geräts erhalten bleibt.

Zusätzliche Warnhinweise zur Sicherheit von Elektrowerkzeugen



Achtung! Zusätzliche Warnhinweise zur Sicherheit für Bohrmaschinen und Schlagbohrmaschinen

- ◆ **Tragen Sie bei Schlagbohrmaschinen einen Gehörschutz.** Lärm kann Gehörschäden verursachen.
- ◆ **Verwenden Sie die im Lieferumfang des Werkzeugs enthaltenen Zusatzhandgriffe.** Ein Kontrollverlust kann Personenverletzungen verursachen.
- ◆ **Halten Sie das Elektrowerkzeug an den isolierten Griffflächen, wenn Arbeiten durchgeführt werden, bei denen das Schneidezubehör versteckte Leitungen oder die eigene Anschlußleitung berühren könnte.** Schneidezubehörteile, die eine spannungsführende Leitung berühren, setzen die freiliegenden Metallteile des Geräts unter Spannung und der Benutzer erleidet einen Stromschlag.
- ◆ **Verwenden Sie Zwingen oder ähnliche Mittel, um das Werkstück auf einer stabilen Plattform zu halten und zu sichern.** Falls das Werkstück mit der Hand oder gegen den Körper gehalten wird, bleibt es instabil und Sie können die Kontrolle verlieren.
- ◆ Informieren Sie sich vor dem Bohren in Wände, Böden und Decken über den genauen Verlauf von Leitungen und Rohren.
- ◆ Vermeiden Sie eine Berührung der Spitze eines Bohrers kurz nach dem Bohren, da sie heiß sein kann.

- ◆ Dieses Gerät darf nicht von Personen (einschließlich Kindern) mit eingeschränkten körperlichen, sensorischen oder geistigen Fähigkeiten verwendet werden. Auch darf es nicht von Personen verwendet werden, die keine Erfahrung mit dem Gerät oder Kenntnis darüber haben, es sei denn, sie stehen beim Gebrauch unter der Aufsicht und Anleitung einer für deren Sicherheit verantwortlichen Person. Kinder müssen beaufsichtigt werden, um sicherzustellen, daß sie nicht mit dem Gerät spielen.
- ◆ Die bestimmungsgemäße Verwendung ist in dieser Bedienungsanleitung beschrieben. Das Verwenden anderer als der in dieser Anleitung empfohlenen Anbaugeräte und Zubehörteile oder die Ausführung von Arbeiten mit diesem Gerät, die nicht der bestimmungsgemäßen Verwendung entsprechen, kann zu Unfallgefahren und/oder Sachschäden führen.

Vibrationen

Die angegebenen Vibrationswerte in den Technischen Daten und der Konformitätserklärung wurden gemäß einer standardisierten und durch EN 60745 festgelegten Prüfmethode gemessen und können herangezogen werden, um ein Werkzeug mit einem anderen zu vergleichen. Der angegebene Vibrationswert kann auch für eine vorläufige Einstufung der Freisetzung herangezogen werden.

Achtung! Der Vibrationswert beim eigentlichen Gebrauch des Elektrowerkzeugs kann vom angegebenen Wert abweichen. Dies hängt davon ab, auf welche Weise das Werkzeug verwendet wird. Der Vibrationswert kann über den angegebenen Wert hinaus ansteigen.

Bei der Einstufung der Vibrationen zur Festlegung der von 2002/44/EG geforderten Sicherheitsmaßnahmen zum Schutz von Personen, die beruflich regelmäßig mit Elektrowerkzeugen arbeiten, muß eine Vibrationseinstufung die tatsächlichen Gebrauchsbedingungen und die Art und Weise berücksichtigen, wie das Werkzeug verwendet wird. Auch müssen alle Aspekte des Arbeitszyklus berücksichtigt werden, wie beispielsweise die Zeiten, in denen das Werkzeug aus- und eingeschaltet ist und im Leerlauf läuft.

Schilder auf dem Gerät

Es befinden sich folgende Bildzeichen auf dem Gerät:



Achtung! Um die Verletzungsgefahr zu verringern, muß der Benutzer die Bedienungsanleitung lesen.

Zusätzliche Sicherheitsanweisungen für Akkus und Ladegeräte

Akkus

- ◆ Versuchen Sie auf keinen Fall, einen Akku zu öffnen.
- ◆ Setzen Sie den Akku keiner Nässe aus.
- ◆ Nicht an einem Ort aufbewahren, wo die Temperatur 40 °C überschreiten kann.
- ◆ Nur bei Umgebungstemperaturen zwischen 10 °C und 40 °C aufladen.
- ◆ Laden Sie den Akku nur mit dem im Lieferumfang enthaltenen Ladegerät.
- ◆ Befolgen Sie bei der Entsorgung von Akkus die Anweisungen im Abschnitt "Umweltschutz".



Versuchen Sie nie, einen beschädigten Akku zu laden.

Ladegeräte

- ◆ Verwenden Sie Ihr Black & Decker Ladegerät nur zum Laden von Akkus des im Lieferumfang enthaltenen Typs. Andere Akkus könnten platzen und Sach- und Personenschäden verursachen.
- ◆ Versuchen Sie nie, nicht aufladbare Akkus zu laden.
- ◆ Lassen Sie beschädigte Leitungen sofort austauschen.
- ◆ Setzen Sie das Ladegerät niemals Nässe aus.
- ◆ Öffnen Sie das Ladegerät nicht.
- ◆ Fassen Sie nicht mit den Fingern oder irgendwelchen Gegenständen in das Ladegerät.



Das Ladegerät ist ausschließlich für den Gebrauch in geschlossenen Räumen vorgesehen.



Lesen Sie vor dem Gebrauch sorgfältig die Bedienungsanleitung.



Das Ladegerät schaltet automatisch ab, wenn die Umgebungstemperatur zu hoch wird. Sobald sich die Umgebungstemperatur abgekühlt hat, nimmt das Ladegerät seinen Betrieb wieder auf.



Akku zu heiß



Nur bei Umgebungstemperaturen zwischen 10 °C und 40 °C aufladen.



Ladevorgang abgeschlossen (grüne Lampe leuchtet dauerhaft)



Ladevorgang (grüne blinkende Lampe)



Defekter Akku



Netzversorgung schwach

Elektrische Sicherheit



Ihr Ladegerät ist schutzisoliert, daher ist keine Erdleitung erforderlich. Überprüfen Sie immer, ob die Netzspannung mit der Spannung auf der Datenplakette übereinstimmt. Tauschen Sie das Ladegerät auf keinen Fall gegen einen Netzstecker aus.

- ◆ Falls das Netzkabel beschädigt ist, so ist es vom Hersteller oder einem autorisierten Black & Decker Service Center auszutauschen, um Gefahren vorzubeugen.

Merkmale

Dieses Gerät weist einige oder alle der folgenden Merkmale auf.

1. Drehzahl-Regelschalter
2. Rechts-/Linkslaufschalter
3. Bohrfutter
4. Betriebsart-Wahlschalter/Drehmoment-Einstellung
5. Zweigang-Wahlschalter
6. Werkzeugaufnahme
7. Akku

Abb. A

8. Ladegerät
9. Ladegerätaufnahme
10. Ladeanzeige

Montage

Achtung! Nehmen Sie vor der Montage den Akku vom Gerät.

Anbringen und Entfernen des Akkus (Abb. B)

- ◆ Um den Akku (7) anzubringen, richten Sie ihn mit der Aufnahme am Gerät aus. Schieben Sie den Akku in die Aufnahme und drücken ihn, bis er einrastet.
- ◆ Um den Akku zu entfernen, drücken Sie den Löseknopf (11) und ziehen Sie gleichzeitig den Akku aus der Aufnahme heraus.

Anbringen des Akkudeckels (Abb. C)

Achtung! Bringen Sie zum Transport und zur Aufbewahrung den Deckel (12) am Akku (7) an.

Anbringen und Entfernen eines Bohrers oder einer Schrauber Klinge (Abb. D)

Dieses Werkzeug ist mit einem Schnellspannfutter ausgestattet, das ein leichtes und schnelles Austauschen von Bohrern und Schrauberkingen ermöglicht.

- ◆ Sperren Sie das Werkzeug, indem Sie den Rechts-/Linkslaufschalter (2) in die mittlere Stellung schieben.
 - ◆ Öffnen Sie das Spannfutter, indem Sie die Manschette (13) mit der einen Hand aufdrehen, während Sie das Werkzeug mit der anderen Hand festhalten.
 - ◆ Stecken Sie den Werkzeugschaft (14) in das Spannfutter.
 - ◆ Ziehen Sie das Spannfutter fest an, indem Sie die Manschette (13) mit der einen Hand zudrehen, während Sie das Werkzeug mit der anderen Hand festhalten.
- Dieses Werkzeug wird mit einer zweiseitigen Schrauber Klinge in der Aufnahme (6) ausgeliefert.

- ◆ Um die Schrauber Klinge aus der Aufnahme zu entfernen, ziehen Sie sie aus der Aussparung.
- ◆ Um die Schrauber Klinge in der Aufnahme anzubringen, drücken Sie sie fest in die Aufnahme.

Gebrauch

Achtung! Beschleunigen Sie den Arbeitsvorgang nicht mit Gewalt. Vermeiden Sie eine Überlastung des Gerätes.

Laden des Akkus (Abb. A)

Achtung! Laden Sie den Akku nicht bei einer Umgebungstemperatur unter 10 °C oder über 40 °C. Empfohlene Ladetemperatur: zirka 24 °C.

Hinweis: Das Ladegerät lädt den Akku nicht auf, wenn die Zellentemperatur 0 °C unterschreitet bzw. 60 °C überschreitet. Der Akku sollte im Ladegerät gelassen werden; das Ladegerät beginnt automatisch mit dem Ladevorgang, sobald die Zellentemperatur den richtigen Wert erreicht.

- ◆ Stecken Sie das Ladegerät (8) ein und schalten Sie es am Hauptschalter ein.
- ◆ Setzen Sie den Akku (7) in das Ladegerät ein. Vergewissern Sie sich, daß der Akku vollständig in das Ladegerät (8) eingeführt ist.

Die Ladeanzeige (10) blinkt nun kontinuierlich (langsam). Der Ladevorgang ist abgeschlossen, wenn die Ladeanzeige (10) dauerhaft leuchtet. Ladegerät und Akku können bei leuchtender LED beliebig lange angeschlossen bleiben. Die LED beginnt zu blinken (Ladevorgang), da das Ladegerät den Akku gelegentlich nachlädt. Die Ladeanzeige (10) leuchtet, solange der Akku mit dem am Netz angeschlossenen Ladegerät verbunden ist.

- ◆ Laden Sie entladene Akkus innerhalb einer Woche. Die Lebensdauer des Akkus wird beträchtlich herabgesetzt, falls dieser im entladenen Zustand gelagert wird.

Ladeanzeigen

Falls das Ladegerät ein Problem mit dem Akku feststellt, blinkt die Ladeanzeige (10) mit schneller Geschwindigkeit. Gehen Sie folgendermaßen vor:

- ◆ Setzen Sie den Akku (7) erneut ein.

- ◆ Falls die Ladeanzeige weiterhin schnell blinkt, verwenden Sie einen anderen Akku, um festzustellen, ob der Ladevorgang richtig abläuft.
- ◆ Falls der Austauschakku richtig geladen wird, ist der ursprüngliche Akku defekt und muss zwecks Recycling an ein Servicecenter zurückgegeben werden.
- ◆ Falls beim neuen Akku das Gleiche angezeigt wird, wie beim ursprünglichen Akku, bringen Sie das zu überprüfende Ladegerät zu einem autorisierten Servicecenter.

Hinweis: Es kann bis zu 15 Minuten dauern, um festzustellen, ob der Akku beschädigt ist. Ist der Akku zu heiß oder zu kalt, blinkt die LED abwechselnd schnell und langsam, d.h. ein Blitz bei jeder Geschwindigkeit mit anschließender Wiederholung.


Wahl der Drehrichtung (Abb. E)

Zum Bohren sowie zum Eindrehen von Schrauben verwenden Sie den Rechtslauf (im Uhrzeigersinn). Zum Lösen von Schrauben sowie zum Lösen eines festsitzenden Bohrers verwenden Sie den Linkslauf (gegen den Uhrzeigersinn).


- ◆ Für Rechtslauf schieben Sie den Rechts-/Linkslaufschalter (2) nach links.
- ◆ Für Linkslauf schieben Sie den Rechts-/Linkslaufschalter nach rechts.
- ◆ Um das Gerät zu verriegeln, schieben Sie den Rechts-/Linkslaufschalter in die Mittelstellung.

Wahl der Betriebsart bzw. des Drehmoments (Abb. F)

Dieses Gerät ist mit einem Drehring zur Einstellung der Betriebsart und zur Einstellung des Drehmoments beim Eindrehen von Schrauben ausgestattet. Große Schrauben und harte Werkstücke erfordern eine höhere Einstellung des Drehmoments als kleine Schrauben und weiche Werkstücke. Der Ring hat einen großen Einstellbereich, um Ihrem Einsatz gerecht zu werden.

- ◆ Zum Bohren in Holz, Metall und Kunststoff drehen Sie den Ring (4) in die Bohrstellung, indem Sie das Symbol  mit der Markierung (15) ausrichten.
- ◆ Zum Schrauben drehen Sie den Ring in die gewünschte Stellung. Falls Sie die richtige Einstellung noch nicht kennen, gehen Sie folgendermaßen vor:
 - Stellen Sie den Ring (4) in die Stellung mit dem geringsten Drehmoment.
 - Ziehen Sie die erste Schraube fest.
 - Falls die Kupplung zu schnell auskuppelt, stellen Sie den Ring auf einen größeren Wert ein und setzen Sie den Schraubvorgang fort. Wiederholen Sie diese Methode, bis Sie den richtigen Wert gefunden haben. Verwenden Sie diesen Wert für die anderen Schrauben.

HP148F4L/HP188F4 - Bohren in Mauerwerk (Abb. F & G)

- ◆ Zum Bohren in Mauerwerk drehen Sie den Ring (4) in die Schlagbohrstellung, indem Sie das Symbol  mit der Markierung (15) ausrichten.
- ◆ Schieben Sie den Zweigang-Wahlschalter (5) zur Vorderseite des Werkzeugs (2. Gang).

Zweigang-Wahlschalter (Abb. G)

- ◆ Zum Bohren in Stahl und für Schraubeinsätze schieben Sie den Zweigang-Wahlschalter (5) zur Hinterseite des Werkzeugs (1. Gang).
- ◆ Zum Bohren in Gegenstände, die nicht aus Stahl bestehen, schieben Sie den Zweigang-Wahlschalter (5) zur Vorderseite des Werkzeugs (2. Gang).

Bohren/Schrauben

- ◆ Wählen Sie mit Hilfe des Rechts-/Linkslaufschalters (2) Rechts- bzw. Linkslauf.
- ◆ Um das Werkzeug einzuschalten, drücken Sie den Schalter (1). Je tiefer Sie den Schalter drücken, umso höher ist die Drehzahl des Geräts.
- ◆ Um das Werkzeug auszuschalten, lassen Sie den Schalter los.

Hinweise für optimale Arbeitsergebnisse

Bohren

- ◆ Üben Sie immer einen leichten Druck in Richtung der Bohrerspitze aus.
- ◆ Sobald Sie spüren, daß das Werkstück fast durchbohrt ist, reduzieren Sie schrittweise den Druck auf die Bohrerspitze, bis der Bohrvorgang beendet ist.
- ◆ Beim Bohren in Materialien, die leicht splintern oder ausreißen, sollten Sie einen Holzklötzchen hinter Ihr Werkstück legen.
- ◆ Verwenden Sie zum Bohren größerer Löcher in Holz einen Flachbohrer.
- ◆ Verwenden Sie zum Bohren in Metall HSS-Bohrer.
- ◆ Verwenden Sie zum Bohren in weiches Mauerwerk Steinbohrer.
- ◆ Verwenden Sie beim Bohren in andere Metalle als Gußeisen und Messing ein Schmiermittel.
- ◆ Markieren Sie die Bohrstelle mit Hilfe eines Bohrkörners, um ein positionsgenaueres Bohren zu gewährleisten.

Schrauben

- ◆ Verwenden Sie immer ein Schraubendreher-Bit des richtigen Typs und in der richtigen Größe.
- ◆ Falls sich Schrauben schwer eindrehen lassen, tragen Sie etwas Spülmittel oder Seife als Schmiermittel an der Schraube auf.
- ◆ Halten Sie das Werkzeug und das Schraubendreher-Bit immer in einer geraden Linie mit der Schraube.

Wartung

Ihr Black & Decker Gerät wurde im Hinblick auf eine lange Lebensdauer und einen möglichst geringen Wartungsaufwand entwickelt. Ein dauerhafter, einwandfreier Betrieb setzt eine regelmäßige Reinigung voraus.

Ihr Ladegerät bedarf keinerlei Wartung außer einer regelmäßigen Reinigung.

Achtung! Bevor Sie irgendwelche Wartungsarbeiten vornehmen, entfernen Sie den Akku vom Akku-Gerät. Ziehen Sie den Netzstecker des Ladegerätes aus der Steckdose, bevor Sie es reinigen.

- ◆ Reinigen Sie regelmäßig die Lüftungsschlitze im Gerät und Ladegerät mit Hilfe einer weichen Bürste oder eines trockenen Tuches.
- ◆ Reinigen Sie regelmäßig das Motorgehäuse mit Hilfe eines feuchten Tuches. Verwenden Sie keine scheuernden Reinigungsmittel oder Reinigungsmittel auf Lösungsmittelbasis.
- ◆ Reinigen Sie regelmäßig das Spannfutter, indem Sie es öffnen und durch leichtes Klopfen Staub aus dem Inneren entfernen.

Umweltschutz



Getrennte Entsorgung. Dieses Produkt darf nicht über den normalen Hausmüll entsorgt werden.

Sollte Ihr Black & Decker Produkt eines Tages erneuert werden müssen, oder falls Sie es nicht weiter verwenden wollen, so darf es nicht über den Hausmüll entsorgt werden. Stellen Sie dieses Produkt zur getrennten Entsorgung bereit.



Durch die getrennte Entsorgung gebrauchter Produkte und Verpackungen können die Materialien recycelt und wiederverwertet werden. Die Wiederverwertung recycelter Materialien schont die Umwelt und verringert die Nachfrage nach Rohstoffen.

Die regionalen Bestimmungen schreiben unter Umständen die getrennte Entsorgung elektrischer Produkte aus dem Haushalt an Sammelstellen oder seitens des Händlers vor, bei dem Sie das neue Produkt erworben haben.

Black & Decker nimmt Ihre ausgedienten Black & Decker Geräte gern zurück und sorgt für eine umweltfreundliche Entsorgung und Wiederverwertung. Um diesen Dienst zu nutzen, schicken Sie bitte Ihr Produkt zu einer Vertragswerkstatt. Hier wird es dann auf unsere Kosten gesammelt.

Die Adresse der zuständigen Black & Decker Vertretung steht in diesem Handbuch, darüber lässt sich die nächstgelegene Vertragswerkstatt ermitteln. Außerdem ist eine Liste der Vertragswerkstätten und aller Kundendienststellen von Black & Decker sowie der zuständigen Ansprechpartner im Internet zu finden unter: www.2helpU.com

Akkus



Black & Decker Akkus lassen sich viele Male wiederaufladen. Entsorgen Sie eine leere Batterie am Ende ihrer Lebensdauer auf umweltgerechte Weise:

- ◆ Entladen Sie den Akku vollständig, und entfernen Sie es anschließend aus dem Werkzeug.
- ◆ NiCd-, NiMH- und Li-Ion-Akkus sind wiederverwertbar. Bringen Sie sie zu einer Vertragswerkstatt oder einer Recycling-Station in Ihrer Nähe.

Technische Daten

		HP146F4L	HP148F4L
Spannung	V _{DC}	14,4	14,4
Leerlaufdrehzahl	min ⁻¹	0-350/0-1.200	0-350/0-1.200
Maximales Drehmoment	Nm	28	29
Spannfutterweite	mm	13	13
Max. Bohrkapazität			
Stahl/Holz/Mauerwerk	mm	13/19	13/19/13
Bestellnummer Akku		A1114L	A1114L
Gewicht (ohne Akku)	kg	1,33	1,38

		HP186F4L	HP188F4L
Spannung	V _{DC}	18	18
Leerlaufdrehzahl	min ⁻¹	0-350/0-1.200	0-350/0-1.200
Maximales Drehmoment	Nm	33	34
Spannfutterweite	mm	13	13
Max. Bohrkapazität			
Stahl/Holz/Mauerwerk	mm	13/25	13/25/13
Bestellnummer Akku		A1118L	A1118L
Gewicht (ohne Akku)	kg	1,33	1,38

		A1114L	A1118L
Spannung	V _{DC}	14,4	18
Kapazität	Ah	1,1	1,1
Gewicht	kg	0,37	0,44

Ladegerät

Netzspannung	V _{AC}	230
Ladezeit (zirka)	h	1
Gewicht	kg	0,55

EG-Konformitätserklärung

HP146F4L H1/HP148F4L H1/HP186F4L H1/HP188F4L H1
 Black & Decker erklärt, daß diese Produkte folgende
 Konformität erfüllen:
 98/37/EG, EN 60745

Höhe des Schalldrucks gemäß EN 60745:

Schalldruck (L_{pA}) 87,7 dB(A), Unsicherheitsfaktor (K) 3 dB(A)
 Schalleistung (L_{WA}) 98,7 dB(A), Unsicherheitsfaktor (K) 3 dB(A)

Gesamtvibrationswerte (Triax-Vektorsumme) gemäß EN 60745:

Schlagbohren in Beton ($a_{h, ID}$) 17,7 m/s²,
 Unsicherheitsfaktor (K) 1,5 m/s²

Bohren in Metall ($a_{h, S}$) 1,32 m/s², Unsicherheitsfaktor (K) 1,5 m/s²

Schlagloses Schrauben ($a_{h, S}$) 0,65 m/s²,
 Unsicherheitsfaktor (K) 1,5 m/s²

Der Unterzeichnete ist für die Zusammenstellung der
 technischen Datei verantwortlich und gibt diese Erklärung im
 Namen von Black & Decker ab.



Kevin Hewitt
 Director of Consumer Engineering
 Spennymoor, County Durham DL16 6JG,
 Vereinigtes Königreich
 28-5-2009

◆ wenn ein unbefugter Reparaturversuch durch anderes
 Personal als das einer Vertragswerkstatt oder des
 Black & Decker-Kundendienstes unternommen wurde.
 Zur Inanspruchnahme dieser Garantie ist dem Verkäufer bzw.
 der Vertragswerkstatt ein Kaufnachweis vorzulegen. Der
 Kaufnachweis muß Kaufdatum und Gerätetyp bescheinigen.
 Die Adresse des zuständigen Büros von Black & Decker steht
 in dieser Anleitung, darüber läßt sich die nächstgelegene
 Vertragswerkstatt ermitteln. Außerdem ist eine Liste der
 Vertragswerkstätten und aller Kundendienststellen von
 Black & Decker sowie der zuständigen Ansprechpartner im
 Internet zu finden unter: www.2helpU.com

Bitte besuchen Sie unsere Webseite www.blackanddecker.de,
 um Ihr neues Black & Decker Produkt zu registrieren und über
 neue Produkte und Sonderangebote aktuell informiert zu werden.
 Weitere Informationen über die Marke Black & Decker und unsere
 Produkte finden Sie unter www.blackanddecker.de

Garantie

Black & Decker vertraut auf die Qualität der eigenen Geräte und
 bietet dem Käufer eine außergewöhnliche Garantie. Diese
 Garantiezusage versteht sich unbeschadet der gesetzlichen
 Gewährleistungsansprüche und schränkt diese keinesfalls ein.
 Sie gilt in sämtlichen Mitgliedsstaaten der Europäischen Union
 und der Europäischen Freihandelszone EFTA.

Tritt innerhalb von 24 Monaten ab Kaufdatum an einem Gerät
 von Black & Decker ein auf Material- oder Verarbeitungsfehler
 zurückzuführender Mangel auf, garantiert Black & Decker den
 Austausch defekter Teile, die Reparatur von Geräten mit
 üblichem Verschleiß bzw. den Austausch eines mangelhaften
 Geräts, ohne den Kunden dabei mehr als unbedingt nötig in
 Anspruch zu nehmen, allerdings vorbehaltlich folgender
 Ausnahmen:

- ◆ wenn das Gerät gewerblich, beruflich oder im
 Verleihgeschäft benutzt wurde;
- ◆ wenn das Gerät mißbräuchlich verwendet oder mit
 mangelnder Sorgfalt behandelt wurde;
- ◆ wenn das Gerät durch irgendwelche Fremdeinwirkung
 beschädigt wurde;

Utilisation prévue

Votre perceuse / tournevis Black & Decker a été conçue pour la pose de vis et pour le perçage du bois, du métal, des matières plastiques et de la maçonnerie légère. Cet outil a été conçu pour une utilisation exclusivement domestique.

Instructions de sécurité

Consignes de sécurité générales pour les outils électriques



Attention ! Prenez connaissance de tous les avertissements de sécurité et de toutes les instructions. Le non-respect des avertissements et des instructions indiqués ci-dessous peut entraîner une électrocution, un incendie ou de graves blessures.

Conservez tous les avertissements et instructions pour référence future. La notion d'« outil électroportatif » mentionnée par la suite se rapporte à des outils électriques raccordés au secteur (avec câble de raccordement) ou fonctionnant sur piles (sans fil).

1. Sécurité de la zone de travail

- a. **Maintenez la zone de travail propre et bien éclairée.**
Un lieu de travail en désordre ou mal éclairé augmente le risque d'accidents.
- b. **N'utilisez pas les outils électroportatifs dans un environnement présentant des risques d'explosion ni en présence de liquides, gaz ou poussières inflammables.** Les outils électroportatifs génèrent des étincelles risquant d'enflammer les poussières ou les vapeurs.
- c. **Tenez les enfants et autres personnes éloignés durant l'utilisation de l'outil électroportatif.** En cas d'inattention, vous risquez de perdre le contrôle sur l'outil.

2. Sécurité électrique

- a. **La fiche de secteur de l'outil électroportatif doit convenir à la prise de courant. Ne modifiez en aucun cas la fiche. N'utilisez pas de fiches d'adaptateur avec des outils ayant une prise de terre.** Les fiches non modifiées et les prises de courant appropriées réduisent le risque d'électrocution.
- b. **Évitez le contact physique avec des surfaces mises à la terre telles que tuyaux, radiateurs, fours et réfrigérateurs.** Il y a un risque élevé d'électrocution si votre corps est relié à la terre.
- c. **N'exposez pas l'outil électroportatif à la pluie ni à l'humidité.** La pénétration d'eau dans un outil électroportatif augmente le risque d'électrocution.

- d. **Préservez le câble d'alimentation. N'utilisez pas le câble à d'autres fins que celles prévues, notamment pour porter l'outil, l'accrocher voire le débrancher de la prise de courant. Maintenez le câble éloigné des sources de chaleur, des parties grasses, des bords tranchants ou des parties de l'outil en rotation.** Un câble endommagé ou enchevêtré augmente le risque d'électrocution.
 - e. **Si vous utilisez l'outil électroportatif à l'extérieur, utilisez une rallonge homologuée pour utilisation à l'air libre.** L'utilisation d'une rallonge électrique homologuée pour les applications extérieures réduit le risque d'électrocution.
 - f. **Si l'usage d'un outil dans un emplacement humide est inévitable, utilisez une alimentation protégée par un dispositif à courant différentiel résiduel (RCD).** L'usage d'un RCD réduit le risque de choc électrique.
- #### 3. Sécurité personnelle
- a. **Restez vigilant, surveillez ce que vous faites. Faites preuve de bon sens quand vous utilisez l'outil électroportatif. N'utilisez pas l'outil lorsque vous êtes fatigué ou après avoir consommé de l'alcool, des drogues voire des médicaments.** Un moment d'inattention lors de l'utilisation de l'outil peut entraîner de graves blessures.
 - b. **Utilisez un équipement de protection personnelle. Portez toujours une protection pour les yeux.** Les équipements de protection personnelle tels que les masques anti-poussières, chaussures de sécurité antidérapantes, casques ou protections acoustiques utilisés dans des conditions appropriées réduisent les blessures.
 - c. **Évitez toute mise en marche involontaire. Vérifiez que l'interrupteur est en position arrêt avant de brancher l'outil au secteur ou au bloc de batteries, de le prendre ou de le porter.** Transporter les outils en avec le doigt sur l'interrupteur ou les brancher avec l'interrupteur en position de marche est une source d'accidents.
 - d. **Enlevez tout outil ou clé de réglage avant de mettre l'outil en marche.** Une clé ou un outil se trouvant sur une partie en rotation peut causer des blessures.
 - e. **Adoptez une position confortable. Adoptez une position stable et gardez votre équilibre à tout moment.** Vous contrôlerez mieux l'outil dans des situations inattendues.
 - f. **Portez des vêtements appropriés. Ne portez pas de vêtements flottants ou de bijoux. N'approchez pas les cheveux, vêtements ou gants des parties des pièces mobiles.** Les vêtements amples, les bijoux ou les cheveux longs peuvent être attrapés dans les pièces en mouvement.

- g.** Si des dispositifs servant à aspirer ou à recueillir les poussières doivent être utilisés, vérifiez qu'ils sont correctement raccordés et utilisés. Le fait d'aspirer la poussière permet de réduire les risques inhérents à la poussière.
- 4. Utilisation des outils électroportatifs et précautions**
- a.** Ne surchargez pas l'outil. Utilisez l'outil électroportatif approprié pour le travail à effectuer. Avec l'outil électroportatif approprié, vous travaillerez mieux et avec plus de sécurité à la vitesse pour laquelle il a été conçu.
- b.** N'utilisez pas un outil électroportatif dont l'interrupteur est défectueux. Un outil électroportatif qui ne peut plus être mis en ou hors fonctionnement est dangereux et doit être réparé.
- c.** Déconnectez la prise de la source d'alimentation ou le pack-batterie de l'outil électrique avant tout réglage, changement d'accessoire voire rangement des outils électriques. Cette mesure de précaution empêche une mise en marche par mégarde.
- d.** Rangez les outils électroportatifs hors de portée des enfants. Ne laissez pas les personnes n'étant pas familiarisées avec l'outil ou n'ayant pas lu ces instructions l'utiliser. Les outils électroportatifs sont dangereux lorsqu'ils sont utilisés par des personnes non initiées.
- e.** Prenez soin des outils électroportatifs. Vérifiez que les parties en mouvement fonctionnent correctement et qu'elles ne sont pas coincées ; vérifiez qu'il n'y a pas de pièces cassées ou endommagées susceptibles de nuire au bon fonctionnement de l'outil. S'il est endommagé, faites réparer l'outil avant de l'utiliser. De nombreux accidents sont dus à des outils électroportatifs mal entretenus.
- f.** Maintenez les outils de coupe aiguisés et propres. Des outils soigneusement entretenus avec des bords tranchants bien aiguisés se coincent moins souvent et peuvent être guidés plus facilement.
- g.** Utilisez l'outil électrique, les accessoires et forets, etc. conformément à ces instructions, en tenant compte des conditions de travail et des tâches à effectuer. L'utilisation des outils électroportatifs à d'autres fins que celles prévues peut entraîner des situations dangereuses.
- 5. Utilisation des outils à batterie et précautions**
- a.** Rechargez la batterie uniquement avec le chargeur spécifié par le fabricant. Un chargeur prévu pour un type de batterie présente un risque d'incendie s'il est utilisé avec un autre type de batterie.
- b.** Utilisez les outils électroportatifs uniquement avec les batteries spécifiquement conçues pour eux. L'utilisation d'autres batteries peut comporter un risque de blessures ou d'incendie.
- c.** Quand vous ne l'utilisez pas, rangez la batterie loin d'autres objets métalliques tels que trombones, pièces, clous, vis ou autres pouvant créer une connexion entre deux bornes. Court-circuiter les bornes du pack-batteries peut provoquer des brûlures ou un incendie.
- d.** Dans des conditions inappropriées, la batterie peut rejeter du liquide. Évitez le contact. Si un contact accidentel se produit, rincez à l'eau. Si le liquide touche les yeux, consultez un médecin. Le liquide rejeté par la pile peut causer une irritation cutanée ou des brûlures.
- 6. Réparations**
- a.** Faites réparer votre outil électroportatif uniquement par du personnel qualifié et seulement avec des pièces de rechange d'origine. Cela garantira le maintien de la sécurité de votre outil.

Avertissements de sécurité supplémentaires pour les outils électriques



Attention ! Avertissements de sécurité supplémentaires pour les perceuses et perceuses à percussion

- ◆ **Portez une protection auditive avec les perceuses à percussion.** L'exposition au bruit peut causer des pertes de l'audition.
- ◆ **Utilisez les poignées additionnelles fournies avec l'outil.** Une perte de contrôle peut provoquer des blessures.
- ◆ **Tenez l'outil uniquement par les surfaces isolées des poignées si l'opération effectuée peut mettre la lame en contact avec des câbles électriques cachés ou son propre cordon électrique.** Le contact de l'accessoire de coupe avec un câble sous tension met les parties métalliques de l'outil sous tension et peut provoquer une électrocution de l'utilisateur.
- ◆ **Utilisez des fixations ou tout autre moyen pratique pour fixer et soutenir la pièce à ouvrir sur une plate-forme stable.** Si vous tenez la pièce à la main ou contre votre corps, elle est instable et vous pouvez en perdre le contrôle.
- ◆ **Avant de percer les murs, les planchers ou les plafonds, vérifiez l'emplacement des fils électriques et des tuyaux.**
- ◆ **Évitez de toucher l'extrémité d'un foret juste après avoir percé car il peut être chaud.**
- ◆ **Cet outil n'est pas destiné à être utilisé par des personnes (notamment des enfants) présentant des capacités physiques, sensorielles ou mentales limitées voire dépourvues de connaissance et d'expérience, sauf si elles sont supervisées ou ont reçu des instructions pour l'usage de l'appareil par une personne responsable de leur sécurité. Les enfants ne doivent pas jouer avec l'appareil.**

- ◆ Le domaine d'utilisation de l'outil est décrit dans le présent manuel. L'utilisation d'accessoires ou la réalisation d'opérations avec cet outil autres que ceux recommandés dans le présent manuel peut entraîner un risque de blessure ou de dégâts.

Vibration

Les valeurs des émissions de vibrations mentionnées dans les données techniques et la déclaration de conformité ont été mesurées conformément à la méthode de test normalisée indiquée par EN 60745 et permettent les comparaisons entre outils. Les valeurs des émissions de vibrations peuvent également servir à une évaluation préliminaire de l'exposition.

Attention ! Les valeurs des émissions de vibrations en utilisant réellement l'outil peuvent différer des valeurs déclarées en fonction du mode d'usage de l'outil. Le niveau de vibration peut dépasser le niveau indiqué.

Pour évaluer l'exposition aux vibrations afin de déterminer les mesures de sécurité imposées par 2002/44/CE pour protéger les personnes utilisant régulièrement des outils électriques, une estimation de l'exposition aux vibrations devrait prendre en compte les conditions réelles et le mode d'utilisation de l'outil, notamment l'ensemble du cycle de fonctionnement ainsi l'arrêt de l'outil et son fonctionnement au ralenti, outre le démarrage.

Étiquettes apposées sur l'outil

Les pictogrammes suivants sont présents sur l'outil :



Attention ! Afin de réduire les risques de blessures, l'utilisateur doit lire le manuel d'instructions.

Instructions de sécurité supplémentaires pour les batteries et chargeurs

Batteries

- ◆ Ne tentez jamais d'ouvrir pour quelque raison que ce soit.
- ◆ N'exposez pas la batterie à l'humidité.
- ◆ Ne stockez pas dans des endroits où la température peut dépasser 40 °C.
- ◆ Chargez uniquement à température ambiante, entre 10 °C et 40 °C.
- ◆ Chargez uniquement en utilisant le chargeur fourni avec l'outil.
- ◆ Lorsque vous jetez des batteries, suivez les instructions données à la section « Protection de l'environnement ».



Ne chargez pas une batterie endommagée.

Chargeurs

- ◆ Utilisez uniquement votre chargeur Black & Decker pour charger les batteries fournies avec votre outil ou de même type et modèle. D'autres batteries pourraient exploser et causer des dommages ou blessures.
- ◆ Ne tentez jamais de charger des batteries non rechargeables.
- ◆ Remplacez immédiatement les fils électriques défectueux.
- ◆ Ne mettez pas le chargeur en contact avec de l'eau.
- ◆ N'ouvrez pas le chargeur.
- ◆ Ne testez pas le chargeur.



Le chargeur a été conçu pour être utilisé uniquement à l'intérieur.



Lisez le manuel d'instruction avant utilisation.



Le chargeur s'arrête automatiquement si la température ambiante est trop élevée. Dès que la température a baissé, le chargeur recommence à fonctionner.



Batterie trop chaude



Chargez uniquement à température ambiante, entre 10 °C et 40 °C.



Processus de charge terminé (témoin vert continu)



En charge (témoin vert clignotant)



Batterie défectueuse



Alimentation insuffisante

Sécurité électrique



Votre chargeur est doublement isolé ; par conséquent, aucun câble de masse n'est nécessaire. Vérifiez toujours que la tension du secteur correspond à la tension indiquée sur la plaque d'identification. Ne tentez jamais de remplacer le chargeur par une prise au secteur normale.

- ◆ Si le câble d'alimentation est endommagé, il doit être remplacé par le fabricant ou par un centre de réparation agréé Black & Decker afin d'éviter tout accident.

Caractéristiques

Cet outil comprend toutes ou certaines des caractéristiques suivantes.

1. Interrupteur à variateur de vitesse
2. Sélecteur de rotation droite / gauche
3. Mandrin
4. Sélecteur de mode / bague de réglage du couple
5. Sélecteur à deux vitesses
6. Porte-embout
7. Batterie

Fig. A

8. Chargeur
9. Boîtier du chargeur
10. Voyant de charge

Assemblage

Attention ! Avant l'assemblage, enlevez la batterie.

Mise en place et retrait de la batterie (fig. B)

- ◆ Pour mettre la batterie en place (7), alignez-la avec le boîtier sur l'outil. Faites glisser la batterie dans le boîtier et poussez pour l'enclencher.
- ◆ Pour retirer la batterie, appuyez sur le bouton de déverrouillage (11) tout en retirant la batterie du boîtier.

Montage du cache de batterie (fig. C)

Attention ! Installez le cache (12) sur la batterie (7) pour la transporter et la ranger.

Installation et retrait d'un foret de perçage ou de vissage (fig. D)

Cet outil est équipé d'un mandrin sans clef pour vous permettre de changer les accessoires plus rapidement.

- ◆ Verrouillez l'outil en réglant le sélecteur de rotation droite / gauche (2) sur la position centrale.
- ◆ Ouvrez le mandrin en faisant tourner le manchon (13) d'une main tout en tenant l'outil de l'autre main.
- ◆ Insérez la tige de l'accessoire (14) dans le mandrin.
- ◆ Serrez fermement le mandrin en faisant tourner le manchon (13) d'une main tout en tenant l'outil de l'autre main.

Cet outil est livré avec un double embout de vissage dans le support d'embout (6).

- ◆ Pour retirer le double embout de vissage du support d'embout, soulevez l'embout de sa cavité.
- ◆ Pour remettre l'embout en place, poussez-le fermement dans le support.

Utilisation

Attention ! Laissez l'outil fonctionner à sa propre vitesse.

Ne le surchargez pas.

Chargement de la batterie (fig. A)

Attention ! Ne chargez pas la batterie à une température ambiante inférieure à 10 °C ou supérieure à 40 °C.

Température de chargement recommandée : environ 24 °C.

Remarque : Le chargeur ne charge pas la batterie si la température de la cellule est inférieure ou proche de 0 °C voire supérieure à 60 °C. La batterie doit être laissée sur le chargeur. Celui-ci commence à la charger automatiquement dès que la température de la cellule augmente (ou décroît).

- ◆ Branchez le chargeur (8) et mettez sous tension.
- ◆ Insérez la batterie (7) dans le chargeur. Assurez-vous que la batterie est complètement enclenchée dans le chargeur (8).

Le voyant de charge (10) commence à clignoter continûment (lentement). Le voyant de charge (10) s'allume continûment lorsque la batterie est chargée. Le chargeur et la batterie peuvent rester branchés indéfiniment avec le voyant allumé. Le voyant commence à clignoter (état de charge) lorsque le chargeur complète (occasionnellement) la charge de la batterie. Le voyant de charge (10) reste allumé tant que la batterie est insérée dans le chargeur branché.

- ◆ Chargez les batteries déchargées dans la semaine. La durée de vie des batteries diminue significativement si elles sont stockées déchargées.

Voyants de charge

Si le chargeur détecte un problème avec la batterie, le voyant de charge (10) clignote rapidement. Procédez comme suit :

- ◆ Remettez la batterie (7).
- ◆ Si les voyants de charge continuent de clignoter rapidement, utilisez une batterie différente afin de déterminer si le processus de charge est correct.
- ◆ Si la batterie de remplacement se charge correctement, la batterie d'origine est défectueuse et doit être retournée à un centre d'entretien pour être recyclée.
- ◆ Si la nouvelle batterie fournit la même indication que celle d'origine, faites tester le chargeur par un centre d'entretien agréé.

Remarque : 15 minutes peuvent être nécessaires pour vérifier si la batterie est défectueuse. Si la batterie est trop chaude/ froide, le voyant fait alterner les clignotements rapides et lents - un clignotement pour chaque vitesse - de manière répétée.

Sélection du sens de rotation (fig. E)


Pour le perçage et le serrage des vis, utilisez la rotation vers l'avant (dans le sens horaire). Pour desserrer les vis ou enlever un foret de perçage coincé, utilisez la rotation vers l'arrière (dans le sens anti-horaire).

- ◆ Pour sélectionner la rotation vers l'avant, poussez le sélecteur de rotation droite / gauche (2) vers la gauche.
- ◆ Pour sélectionner la rotation vers l'arrière, poussez le sélecteur de rotation droite / gauche vers la droite.


- ◆ Pour verrouiller l'outil, réglez le sélecteur de rotation droite / gauche sur la position centrale.

Sélection du mode de fonctionnement (fig. F)

Cet outil est muni d'une bague servant à régler le mode de fonctionnement et le couple de serrage des vis. Les grosses vis et les matières d'œuvre rigides nécessitent un couple de serrage plus grand que les petites vis et les matières d'œuvre peu rigides. La bague possède une large gamme de réglages de manière à pouvoir répondre à vos besoins.

- ◆ Pour le perçage du bois, du métal et du plastique, placez la bague (4) sur la position de perçage en alignant le symbole  avec la marque (15).
- ◆ Pour le vissage, réglez la bague à la position désirée. Si vous ne connaissez pas encore le bon réglage, procédez comme suit :
 - Placez la bague (4) au réglage de couple le plus bas.
 - Serrez la première vis.
 - Si l'embrayage fait « clic » avant d'avoir obtenu le résultat désiré, augmentez le réglage de la bague et continuez à serrer la vis. Répétez jusqu'à obtenir le bon réglage. Utilisez ce réglage pour les vis restantes.

HP148F4L/HP188F4 - Perçage de la maçonnerie (fig. F & G)

- ◆ Pour le perçage de la maçonnerie, réglez la bague (4) sur la position de perçage au marteau en alignant le symbole  avec la marque (15).
- ◆ Glissez le sélecteur à deux vitesses (5) vers l'avant de l'outil (deuxième vitesse).

Sélecteur à deux vitesses (fig. G)

- ◆ Pour le perçage de l'acier et la pose de vis, glissez le sélecteur à deux vitesses (5) vers l'arrière de l'outil (première vitesse).
- ◆ Pour le perçage de matières autres que l'acier, glissez le sélecteur à deux vitesses (5) vers l'avant de l'outil (deuxième vitesse).

Perçage / vissage

- ◆ Sélectionnez la rotation vers la droite ou la gauche à l'aide du sélecteur de rotation droite / gauche (2).
- ◆ Pour mettre l'outil en marche, appuyez sur l'interrupteur (1). La vitesse de l'outil dépend de la force que vous exercez sur l'interrupteur.
- ◆ Relâchez l'interrupteur pour mettre l'outil hors fonction.

Conseils pour une utilisation optimale

Perçage

- ◆ Appliquez toujours une pression légère et rectiligne avec le foret de perçage.

- ◆ Juste avant que le foret de perçage ne passe de l'autre côté de la pièce, diminuez la pression sur l'outil.
- ◆ Utilisez un bloc de bois pour protéger les pièces pouvant se briser.
- ◆ Utilisez des mèches à bois lorsque vous percez des trous d'un large diamètre dans du bois.
- ◆ Utilisez des forets de perçage HSS lorsque vous percez du métal.
- ◆ Utilisez des forets de maçonnerie lorsque vous percez des pièces de maçonnerie légères.
- ◆ Utilisez un lubrifiant lorsque vous percez des métaux autres que la fonte et le laiton.
- ◆ Faites une entaille à l'aide d'une contrepointe de centrage au centre de l'orifice à percer afin d'améliorer la précision.

Vissage

- ◆ Utilisez toujours le bon type et la bonne taille d'embout de tournevis.
- ◆ Si les vis sont difficiles à serrer, essayez d'appliquer un petit peu de liquide vaisselle ou de savon comme lubrifiant.
- ◆ Tenez toujours l'outil et l'embout de tournevis en ligne droite par rapport à la vis.

Entretien

Votre outil Black & Decker a été conçu pour fonctionner pendant longtemps avec un minimum d'entretien. Un fonctionnement continu satisfaisant dépend d'un nettoyage régulier et d'un entretien approprié de l'outil.

Votre chargeur ne nécessite aucun entretien autre qu'un nettoyage régulier.

Attention ! Avant de procéder à tout entretien de l'outil, retirez la batterie. Débranchez le chargeur avant de le nettoyer.

- ◆ Nettoyez régulièrement les orifices de ventilation de votre outil et le chargeur à l'aide d'une brosse douce ou d'un chiffon sec.
- ◆ Nettoyez régulièrement le carter du moteur à l'aide d'un chiffon humide. N'utilisez pas de produit abrasif ou à base de solvant.
- ◆ Ouvrez régulièrement le mandrin et tapotez dessus pour retirer toute poussière à l'intérieur.

Protection de l'environnement



Collecte séparée. Ce produit ne doit pas être jeté avec les déchets domestiques normaux.

Si vous décidez de remplacer ce produit Black & Decker, ou si vous n'en avez plus l'utilité, ne le jetez pas avec vos déchets domestiques. Rendez-le disponible pour une collecte séparée.



La collecte séparée des produits et emballages usés permet le recyclage des articles afin de les utiliser à nouveau. Le fait d'utiliser à nouveau des produits recyclés permet d'éviter la pollution environnementale et de réduire la demande de matières premières.

Les réglementations locales peuvent permettre la collecte séparée des produits électriques du foyer, dans des déchetteries municipales ou auprès du revendeur vous ayant vendu votre nouveau produit.

Black & Decker fournit un dispositif permettant de collecter et de recycler les produits Black & Decker lorsqu'ils ont atteint la fin de leur cycle de vie. Pour pouvoir profiter de ce service, veuillez retourner votre produit à un réparateur agréé qui se chargera de le collecter pour nous.

Pour connaître l'adresse du réparateur agréé le plus proche de chez vous, contactez le bureau Black & Decker à l'adresse indiquée dans ce manuel. Vous pourrez aussi trouver une liste des réparateurs agréés de Black & Decker et de plus amples détails sur notre service après-vente sur le site Internet à l'adresse suivante : www.2helpU.com

Packs-batteries



Les batteries Black & Decker peuvent être rechargées de nombreuses fois. A la fin de leur durée de vie technique, jetez les batteries en respectant l'environnement :

- ◆ Videz complètement la batterie, puis retirez-la de l'outil.
- ◆ Les batteries NiCd, NiMH et Li-Ion sont recyclables. Apportez-les à votre réparateur agréé ou à un centre de recyclage local.

Caractéristiques techniques

	HP146F4L	HP148F4L
Voltage	V _{DC} 14,4	14,4
Vitesse à vide	min ⁻¹ 0-350/0-1.200	0-350/0-1.200
Couple max.	Nm 28	29
Capacité du mandrin	mm 13	13
Capacité max. de perçage acier/bois/maçonnerie	mm 13/19	13/19/13
Cat. no. batterie	A1114L	A1114L
Poids (sans batterie)	kg 1,33	1,38

	HP186F4L	HP188F4L
Voltage	V _{DC} 18	18
Vitesse à vide	min ⁻¹ 0-350/0-1.200	0-350/0-1.200
Couple max.	Nm 33	34
Capacité du mandrin	mm 13	13
Capacité max. de perçage acier/bois/maçonnerie	mm 13/25	13/25/13
Cat. no. batterie	A1118L	A1118L
Poids (sans batterie)	kg 1,33	1,38

Batterie	A1114L	A1118L
Voltage	V _{DC} 14,4	18
Ampérage	Ah 1,1	1,1
Poids	kg 0,37	0,44

Chargeur		
Tension secteur	V _{AC} 230	
Temps de chargement approx. h	1	
Poids	kg 0,55	

Déclaration de conformité CE

HP146F4L H1/HP148F4L H1/HP186F4L H1/HP188F4L H1
Black & Decker déclare que ces produits sont conformes à :
98/37/CE, EN 60745

Niveau de pression acoustique selon EN 60745 :

Pression acoustique (L_{PA}) 87,7 dB(A), incertitude (K) 3 dB(A)
Puissance acoustique (L_{WA}) 98,7 dB(A), incertitude (K) 3 dB(A)

Valeurs totales de vibration (somme vectorielle triax) selon
EN 60745 :

Perçage à percussion dans le béton (a_{h, ID}) 17,7 m/s²,
incertitude (K) 1,5 m/s²

Perçage dans le métal (a_{h, D}) 1,32 m/s², incertitude (K) 1,5 m/s²
Vissage sans percussion (a_{h, S}) 0,65 m/s², incertitude (K) 1,5 m/s²

Le soussigné est responsable de la compilation du fichier technique et effectue cette déclaration au nom de Black & Decker.

Kevin Hewitt
Directeur Ingénierie Client
Spennymoor, County Durham DL16 6JG,
Royaume Uni
28-5-2009

Garantie

Black & Decker est confiant dans la qualité de ses produits et vous offre une garantie très étendue. Ce certificat de garantie est un document supplémentaire et ne peut en aucun cas se substituer à vos droits légaux. La garantie est valable sur tout le territoire des Etats Membres de l'Union Européenne et de la Zone de Libre Echange Européenne.

Si un produit Black & Decker s'avère défectueux en raison de matériaux en mauvaises conditions, d'une erreur humaine, ou d'un manque de conformité dans les 24 mois suivant la date d'achat, Black & Decker garantit le remplacement des pièces défectueuses, la réparation des produits usés ou cassés ou remplace ces produits à la convenance du client, sauf dans les circonstances suivantes :

- ◆ Le produit a été utilisé dans un but commercial, professionnel, ou a été loué.
- ◆ Le produit a été mal utilisé ou avec négligence.
- ◆ Le produit a subi des dommages à cause d'objets étrangers, de substances ou à cause d'accidents.
- ◆ Des réparations ont été tentées par des techniciens ne faisant pas partie du service technique de Black & Decker.

Pour avoir recours à la garantie, il est nécessaire de fournir une preuve d'achat au vendeur ou à un réparateur agréé.

Pour connaître l'adresse du réparateur agréé le plus proche de chez vous, contactez le bureau Black & Decker à l'adresse indiquée dans ce manuel. Vous pourrez aussi trouver une liste des réparateurs agréés de Black & Decker et de plus amples détails sur notre service après-vente sur le site Internet à l'adresse suivante : **www.2helpU.com**

Visitez notre site Web **www.blackanddecker.fr** pour enregistrer votre nouveau produit Black & Decker et être informé des nouveaux produits et des offres spéciales. Pour plus d'informations concernant la marque Black & Decker et notre gamme de produits, consultez notre site **www.blackanddecker.fr**

Uso previsto

Il trapano / cacciavite Black & Decker è stato progettato per inserire ed estrarre viti e trapanare legno, metalli, plastica e muratura. L'utensile è stato progettato per un uso individuale.

Precauzioni di sicurezza

Avvisi generali di sicurezza per l'elettrotrattensile



Attenzione! Leggere tutti gli avvisi e le istruzioni di sicurezza. La mancata osservanza dei seguenti avvisi e istruzioni potrebbe causare scosse elettriche, incendi e/o infortuni gravi.

Conservare tutte gli avvisi e le istruzioni per consultazioni future. Il termine "elettrotrattensile" che ricorre in tutte le seguenti avvertenze si riferisce ad utensili elettrici con o senza filo.

1. **Sicurezza dell'area di lavoro**
 - a. **Mantenere pulita e bene illuminata l'area di lavoro.** Il disordine o la scarsa illuminazione possono causare incidenti.
 - b. **Evitare d'impiegare gli elettrotrattensili in ambienti esposti al rischio di esplosione, ad esempio in presenza di liquidi, gas o polveri infiammabili.** Gli elettrotrattensili producono scintille che possono far infiammare la polvere o i fumi.
 - c. **Mantenere lontani bambini ed astanti mentre si usa l'elettrotrattensile.** Eventuali distrazioni possono comportare la perdita del controllo dell'elettrotrattensile.
2. **Sicurezza elettrica**
 - a. **La spina elettrica deve essere adatta alla presa. Evitare assolutamente di alterare la spina. Non impiegare spine adattatrici con elettrotrattensili provvisti di messa a terra.** L'uso di spine inalterate e corrispondenti alle prese della rete domestica riduce il rischio di scosse elettriche.
 - b. **Evitare il contatto fisico con superfici collegate a terra, come tubi, radiatori, forni e frigoriferi.** Un corpo collegato a terra è esposto maggiormente al rischio di scosse elettriche.
 - c. **Custodire gli elettrotrattensili al riparo dalla pioggia o dall'umidità.** L'eventuale infiltrazione di acqua in un elettrotrattensile aumenta il rischio di scosse elettriche.
 - d. **Non esporre il cavo a sollecitazioni. Non usare il cavo per trasportare o trainare l'elettrotrattensile e non tirarlo per estrarre la spina dalla presa di corrente. Mantenere il cavo a distanza da fonti di calore, olio, bordi taglienti e/o parti in movimento.** I cavi elettrici danneggiati o aggrovigliati aumentano il rischio di scosse elettriche.
 - e. **Se l'elettrotrattensile viene adoperato all'aperto, usare esclusivamente prolunghie omologate per l'impiego all'esterno.** Un cavo adatto per impieghi all'esterno riduce il rischio di scosse elettriche.
 - f. **Se l'uso di un elettrotrattensile in un ambiente umido è inevitabile, utilizzare una fonte di alimentazione dotata di un dispositivo di protezione da correnti residue (RCD).** L'uso di un RCD riduce il rischio di scosse elettriche.
3. **Sicurezza delle persone**
 - a. **È importante concentrarsi su ciò che si sta facendo e maneggiare con giudizio l'elettrotrattensile. Non adoperare l'elettrotrattensile se si è stanchi o sotto l'effetto di stupefacenti, alcol o medicinali.** Un attimo di distrazione durante l'uso dell'elettrotrattensile può causare gravi infortuni personali.
 - b. **Indossare un equipaggiamento protettivo. Utilizzare sempre occhiali protettivi di sicurezza.** Indossando un equipaggiamento protettivo, ad esempio: maschera antipolvere, calzature di sicurezza con suola antiscivolo, casco e protezioni per l'udito, in condizioni adeguate, si riduce il rischio di lesioni personali.
 - c. **Evitare l'accensione involontaria dell'elettrotrattensile. Verificare che l'interruttore di accensione sia posizionato su off prima di collegare il cavo di alimentazione o la batteria, di sollevare o trasportare l'elettrotrattensile.** Trasportare gli elettrotrattensili con il dito sull'interruttore di accensione o collegare all'alimentazione elettrotrattensili con l'interruttore posizionato su on, favorisce il verificarsi di incidenti.
 - d. **Prima di accendere un elettrotrattensile, togliere eventuali chiavi o attrezzi di regolazione.** Un attrezzo o una chiave lasciati in un componente mobile dell'elettrotrattensile possono causare lesioni.
 - e. **Non sporgersi. Mantenere sempre un buon equilibrio evitando posizioni malsicure.** In questo modo è possibile controllare meglio l'elettrotrattensile in situazioni inaspettate.
 - f. **Vestirsi adeguatamente. Evitare di indossare indumenti larghi o gioielli. Tenere capelli, vestiti e guanti lontani dalle parti in movimento.** Vestiti larghi, gioielli o capelli lunghi possono impigliarsi nei componenti in movimento.
 - g. **Se gli elettrotrattensili sono provvisti di attacchi per la connessione di dispositivi di aspirazione o raccolta della polvere, assicurarsi che questi siano installati e utilizzati correttamente.** L'uso di un dispositivo di aspirazione può ridurre i rischi correlati alle polveri.

4. Uso e cura degli elettroutensili

- a. **Non sovraccaricare l'elettroutensile. Usare un elettroutensile idoneo al lavoro da eseguire.** Un elettroutensile appropriato permetterà una migliore e più sicura lavorazione alla potenza nominale prevista.
- b. **Non utilizzare elettroutensili con interruttori difettosi.** Un elettroutensile che non può essere controllato mediante l'interruttore è pericoloso e deve essere riparato.
- c. **Scollegare la spina dalla presa e/o estrarre la batteria dall'elettroutensile prima di eseguire regolazioni, di sostituire degli accessori o di riporre l'elettroutensile.** Queste precauzioni riducono le possibilità che l'elettroutensile venga messo in funzione accidentalmente.
- d. **Quando non vengono usati, gli elettroutensili devono essere custoditi fuori della portata dei bambini. Non consentire l'uso dell'elettroutensile a persone inesperte o che non abbiano letto le presenti istruzioni.** Gli elettroutensili risultano pericolosi se usati da persone inesperte.
- e. **Sottoporre gli elettroutensili alle procedure di manutenzione del caso. Verificare che le parti mobili siano bene allineate e non inceppate, che non vi siano componenti rotti e che non sussistano altre condizioni che possano compromettere il funzionamento dell'elettroutensile. In caso di danni, riparare l'elettroutensile prima dell'uso.** La scarsa manutenzione causa molti incidenti.
- f. **Mantenere affilati e puliti gli utensili da taglio.** Se sottoposti alla corretta manutenzione, gli utensili da taglio con taglienti affilati s'inceppano meno frequentemente e sono più facili da manovrare.
- g. **Utilizzare l'elettroutensile, gli accessori, le punte ecc. in conformità alle presenti istruzioni, tenendo conto delle condizioni lavorative e del tipo di lavoro da eseguire.** L'impiego degli elettroutensili per usi diversi da quelli previsti può dar luogo a situazioni di pericolo.

5. Uso e cura degli utensili a batteria

- a. **Ricaricare la batteria esclusivamente con il caricabatterie specificato dal fabbricante.** Un caricabatterie adatto per un tipo di batteria può esporre al rischio d'incendio se usato con una batteria diversa.
- b. **Utilizzare gli elettroutensili solo con le batterie indicate.** L'uso di batterie diverse può esporre al rischio di infortuni e incendi.
- c. **Quando non è in uso, la batteria deve essere conservata lontana da oggetti metallici come graffette, monete, chiavi, chiodi, viti o altre minuterie in metallo che possono creare contatto tra i poli.** Il cortocircuito dei poli di una batteria può causare ustioni o incendi.
- d. **In condizioni di sovraccarico, le pile possono perdere liquido: evitare di toccarlo. In caso di contatto accidentale, sciacquare con acqua.**

Se il liquido entra a contatto con gli occhi, rivolgersi ad un medico. Il liquido che fuoriesce dalla pila può causare irritazioni o ustioni.

6. Riparazioni

- a. **Fare riparare l'elettroutensile solo ed esclusivamente da personale specializzato e solo impiegando pezzi di ricambio originali.** Ciò permetterà di conservare le condizioni di sicurezza dell'elettroutensile.

Ulteriori avvisi di sicurezza per l'elettroutensile



Attenzione! Ulteriori avvisi di sicurezza per trapani e trapani a percussione

- ◆ **Indossare protezioni acustiche per utilizzare i trapani a percussione.** L'esposizione al rumore può causare la perdita dell'udito.
- ◆ **Utilizzare le impugnature ausiliarie fornite con l'elettroutensile.** La perdita di controllo può causare lesioni.
- ◆ **Eseguendo lavori in cui l'accessorio da taglio può entrare in contatto con linee elettriche nascoste o con il cavo di alimentazione, afferrare l'elettroutensile tramite le apposite impugnature isolanti.** Il contatto dell'accessorio da taglio con una "linea sotto tensione", può sottoporre a tensione le parti metalliche dell'elettroutensile e provocare una scossa elettrica.
- ◆ **Utilizzare morsetti o un altro metodo sicuro per fissare e supportare il pezzo in lavorazione su una piattaforma stabile.** Se il pezzo in lavorazione è sostenuto a mano o appoggiato al proprio corpo, rimane in posizione instabile e si possono verificare perdite di controllo.
- ◆ Prima di forare pareti, pavimenti o soffitti, verificare l'ubicazione di cavi elettrici e tubazioni.
- ◆ Evitare di toccare la punta del trapano subito dopo aver forato, può essere molto calda.
- ◆ Questo elettroutensile non è destinato ad essere utilizzato da persone (bambini inclusi) con ridotte capacità fisiche, sensoriali o mentali, senza esperienza o non in possesso delle dovute conoscenze, senza la supervisione o l'addestramento sull'uso dell'elettroutensile da parte di una persona responsabile per la loro sicurezza. Controllare i bambini per evitare che giochino con l'elettroutensile.
- ◆ L'utilizzo previsto è quello indicato nel presente manuale. L'utilizzo di qualsiasi accessorio o attrezzatura o l'uso del presente elettroutensile per scopi diversi da quelli consigliati nel presente manuale d'istruzioni potrebbero comportare il rischio di infortuni e/o danni alle proprietà.

Vibrazioni

I valori delle vibrazioni dichiarati nei dati tecnici e nella dichiarazione di conformità sono stati misurati in conformità ai metodi di test standard descritti in: EN 60745 e possono essere utilizzati per comparare due elettrotensili. I valori di emissioni dichiarati possono essere usati anche per una valutazione preliminare dell'esposizione.

Attenzione! Il valore delle vibrazioni durante l'uso dell'elettrotensile può differire dai valori dichiarati a seconda del modo in cui viene usato l'elettrotensile. Il livello di vibrazioni può aumentare rispetto al livello nominale.

Quando si valuta l'esposizione alle vibrazioni e si stabiliscono le misure di sicurezza richieste dalla direttiva 2002/44/CE per proteggere il personale che utilizza regolarmente gli elettrotensili nello svolgimento delle proprie funzioni, considerare una stima dell'esposizione alle vibrazioni, le effettive condizioni d'uso e il modo in cui l'elettrotensile viene usato, analizzando tutte le parti del ciclo operativo, ovvero i periodi in cui l'elettrotensile è spento o gira a vuoto, oltre al tempo in cui è in uso.

Etichette sull'elettrotensile

Sull'elettrotensile sono presenti le seguenti immagini:



Attenzione! Per ridurre il rischio di lesioni, l'utente è tenuto a leggere il presente manuale di istruzioni.

Istruzioni supplementari sulla sicurezza per batterie e caricatori

Batterie

- ◆ Non tentare mai di aprire le batterie, per nessuna ragione.
- ◆ Non esporre la batteria all'acqua.
- ◆ Non conservarle in ambienti in cui la temperatura possa superare i 40 °C.
- ◆ Caricare le batterie solo a temperatura ambiente compresa tra 10 °C e 40 °C.
- ◆ Caricare la batteria solo usando il caricabatterie fornito con l'elettrotensile.
- ◆ Per smaltire le batterie seguire le istruzioni riportate nel capitolo "Protezione dell'ambiente".



Non tentare di caricare batterie danneggiate.

Caricabatterie

- ◆ Usare il caricabatterie Black & Decker soltanto per caricare le batterie fornite con l'elettrotensile. Batterie di altro tipo possono esplodere, provocando danni a persone e cose.
- ◆ Non tentare mai di ricaricare una batteria non ricaricabile.

- ◆ Sostituire immediatamente i cavi difettosi.
- ◆ Non esporre il caricabatterie all'acqua.
- ◆ Non aprire il caricabatterie.
- ◆ Non applicare i puntali di un multimetro sul caricabatterie.



Il caricabatterie è destinato ad essere usato esclusivamente in ambienti interni.



Leggere il manuale di istruzioni prima dell'uso.



Il caricabatterie si spegne automaticamente se la temperatura ambiente sale eccessivamente. Ricomincia a funzionare non appena la temperatura ambiente si raffredda.



Batteria troppo calda



Caricare le batterie solo a temperatura ambiente compresa tra 10 °C e 40 °C.



Processo di carica completato (spia verde fisso)



Carica (spia verde lampeggiante)



Batteria difettosa



Alimentazione insufficiente

Sicurezza elettrica



Il caricabatterie è provvisto di doppio isolamento che rende superflua la messa a terra. Controllare che la tensione di alimentazione corrisponda a quella indicata sulla targhetta con i dati caratteristici. Non cercare di utilizzare una normale presa di corrente al posto del caricabatterie.

- ◆ Se il cavo elettrico in dotazione risulta danneggiato, deve essere sostituito dal produttore o da un Centro di assistenza autorizzato Black & Decker, onde evitare rischi.

Funzioni

Questo elettrotensile è dotato di tutte le caratteristiche elencate di seguito, o di alcune di esse.

1. Interruttore a velocità variabile
2. Selettore avanti/indietro
3. Mandrino
4. Selettore modalità/ghiera di regolazione coppia di serraggio

5. Selettore della velocità
6. Portapunta
7. Batteria

Fig. A

8. Caricabatteria
9. Base del caricabatteria
10. Indicatore di carica

Montaggio

Attenzione! Prima di montaggio, rimuovere la batteria.

Inserimento ed estrazione della batteria (fig. B)

- ◆ Per inserire la batteria (7), allinearla alla base sull'utensile. Fare scorrere la batteria nella base fino a che non s'inserisce con uno scatto.
- ◆ Per estrarre la batteria, premere il pulsante di sgancio (11) e, contemporaneamente, estrarla dalla base.

Inserimento del coperchio della batteria (fig. C)

Attenzione! Inserire il coperchio (12) sulla batteria (7) per trasportare e conservare l'elettrostrumento.

Inserimento e rimozione di una punta per trapano o per cacciavite (fig. D)

L'elettrostrumento è dotato di un mandrino senza chiave che permette di cambiare con facilità le punte.

- ◆ Bloccare l'elettrostrumento posizionando il selettore avanti/indietro (2) nella posizione centrale.
- ◆ Aprire il mandrino girando la bussola (13) con una mano e sostenendo l'elettrostrumento con l'altra mano.
- ◆ Inserire il codolo della punta (14) nel mandrino.
- ◆ Serrare saldamente il mandrino girando la bussola (13) con una mano e sostenendo l'elettrostrumento con l'altra mano.

Questo elettrostrumento viene fornito con un inserto a doppia punta inserito nel supporto punta (6).

- ◆ Per staccare l'inserto del cacciavite dal supporto punta, sollevarla dalla cava.
- ◆ Per rimettere nel supporto l'inserto, premerlo con decisione.

Uso

Attenzione! Lasciare che l'utensile lavori al suo ritmo, senza sovraccaricarlo.

Carica della batteria (fig. A)

Attenzione! Non caricare la batteria a una temperatura ambiente inferiore a 10 °C o superiore a 40 °C. Temperatura di carica suggerita: circa 24 °C.

Nota: Il caricabatterie non caricherà la batteria se la temperatura delle celle è inferiore o vicina a 0 °C o superiore a 60 °C. Lasciare la batteria nel caricabatterie che inizierà automaticamente la carica quando la temperatura delle celle aumenta o diminuisce a seconda dei casi.

- ◆ Inserire la spina del caricabatterie (8) in una presa e accenderlo.
- ◆ Inserire la batteria (7) nel caricabatterie. Accertare che la batteria sia perfettamente inserita nel caricabatterie (8). La spia del caricabatterie (10) lampeggerà continuamente (lentamente). La carica è completa quando la spia del caricabatterie (10) rimane accesa fissa. Il caricabatterie e la batteria possono essere lasciati collegati indefinitamente con il LED acceso. Il LED inizia a lampeggiare (caricamento) quando, occasionalmente, il caricabatterie riporta alla carica completa la batteria. L'indicatore di carica (10) rimane sempre acceso quando la batteria è collegata al caricabatterie sotto tensione.
- ◆ Caricare le batterie scariche entro 1 settimana. La durata in servizio della batteria diminuirà notevolmente se viene riposta scarica.

Indicatori di carica

Se il caricabatteria rileva un problema nella batteria, l'indicatore di carica (10) inizia a lampeggiare velocemente. Procedere nel modo seguente:

- ◆ Reinserrire la batteria (7).
- ◆ Se gli indicatori di caricamento continuano a lampeggiare rapidamente, usare una batteria diversa per stabilire se il processo di caricamento funziona.
- ◆ Se la batteria sostitutiva si carica correttamente, quella originale è difettosa e deve essere riportata ad un centro assistenza per il riciclo.
- ◆ Se con la nuova batteria si ottiene la stessa indicazione che con quella originale, portare il caricabatterie da verificare presso un centro assistenza autorizzato.

Nota: Possono essere necessari circa 15 minuti per stabilire se una batteria è difettosa. Se la batteria è troppo calda o troppo fredda, il LED lampeggerà velocemente e lentamente in alternanza, un lampeggio a ciascuna velocità e ripetizione del ciclo.


Selezione del senso di rotazione (fig. E)

Per trapanare e avvitare, selezionare il senso di rotazione in avanti (senso orario). Per svitare o per togliere una punta inceppata, selezionare il senso di rotazione indietro (senso antiorario).


- ◆ Per selezionare la rotazione in avanti, spingere il selettore avanti/indietro (2) verso sinistra.
- ◆ Per selezionare la rotazione indietro, spingere il selettore avanti/indietro verso destra.
- ◆ Per bloccare l'elettrostrumento, collocare il selettore avanti/indietro nella posizione centrale.

Selezione del modo operativo o della coppia di serraggio (fig. F)

Questo utensile è dotato di una ghiera che permette di regolare la coppia di serraggio alla quale avvitare le viti. Viti grandi e materiali duri richiedono una coppia di serraggio più elevata rispetto a viti piccole e materiali morbidi. La ghiera ha un'ampia gamma di impostazioni adatte ad ogni applicazione.

- ◆ Per trapanare legno, metallo e plastica, collocare l'anello (4) nella posizione di trapanatura allineando il simbolo  alla tacca (15).
- ◆ Per usare l'elettrotrusente come cacciavite, collocare la ghiera sull'impostazione desiderata. Se non si è ancora pratici delle impostazioni corrette, procedere come segue:
 - Collocare la ghiera (4) sull'impostazione della coppia di serraggio più bassa.
 - Stringere la prima vite.
 - Se la frizione si arresta prima che si sia ottenuto il risultato desiderato, regolare la ghiera su un valore maggiore e continuare a stringere la vite. Ripetere l'operazione fino ad ottenere l'impostazione corretta. Fare uso di quest'impostazione per tutte le altre viti.

HP148F4L/HP188F4 - Forare in strutture in muratura (fig. F & G)

- ◆ Per trapanare muri, collocare l'anello (4) nella posizione di trapanatura allineando il simbolo  alla tacca (15).
- ◆ Fare slittare il selettore a due scatti (5) verso la parte anteriore dell'utensile (2° scatto).

Selettore della velocità (fig. G)

- ◆ Per trapanare l'acciaio ed avvitare le viti, fare scorrere il selettore della velocità (5) verso la parte posteriore dell'elettrotrusente (1° velocità).
- ◆ Per trapanare materiali diversi dall'acciaio, fare scorrere il selettore a due scatti (5) verso la parte anteriore dell'elettrotrusente (2° velocità).

Istruzioni per trapanare/avvitare

- ◆ Selezionare il senso di rotazione usando il selettore avanti/indietro (2).
- ◆ Per accendere l'elettrotrusente, premere l'interruttore (1). La velocità dell'elettrotrusente dipende dalla pressione esercitata sull'interruttore.
- ◆ Per spegnere l'elettrotrusente, rilasciare l'interruttore.

Consigli per un'ottima utilizzazione

Istruzioni per trapanare

- ◆ Esercitare sempre una leggera pressione in linea retta con la punta.
- ◆ Prima che la punta fuoriesca dall'altra parte del pezzo in lavorazione, diminuire la pressione sull'elettrotrusente.

- ◆ Usare un blocco di legno per sostenere i pezzi in lavorazione che si possono sceggiare.
- ◆ Usare punte a pala per praticare fori di diametro largo su legno.
- ◆ Usare punte in acciaio rapido per trapanare i metalli.
- ◆ Usare punte per muratura per trapanare i muri.
- ◆ Usare un lubrificante per trapanare metalli diversi da ottone e ferro.
- ◆ Per aumentare l'accuratezza della trapanatura, fare una tacca con un punteruolo al centro del punto da trapanare.

Avvitatura

- ◆ Usare sempre una punta per avvitare di tipo e misura adeguati.
- ◆ Se le viti sono difficili da stringere, provare ad applicare una piccola quantità di liquido detergente o sapone come lubrificante.
- ◆ Mantenere sempre l'elettrotrusente e la punta in linea retta rispetto alla vite.

Manutenzione

Questo utensile Black & Decker è stato progettato per funzionare a lungo con un minimo di manutenzione.

Per ottenere prestazioni sempre soddisfacenti occorre avere cura dell'utensile e sottoporlo a manutenzione periodica.

Il caricabatteria non richiede alcun tipo di manutenzione oltre a una regolare pulizia.

Attenzione! Prima di eseguire qualsiasi tipo di manutenzione dell'utensile, estrarre le batterie. Scollegare il caricatore dalla presa elettrica prima di pulirlo.

- ◆ Pulite regolarmente con una spazzola morbida o un panno asciutto le prese di ventilazione dell'utensile e del caricabatteria.
- ◆ Il vano motore va pulito regolarmente con un panno umido. Non usare materiali abrasivi o detergenti a base di solventi.
- ◆ Aprire regolarmente il mandrino e colpirlo leggermente per togliere tutta la polvere dall'interno.

Protezione dell'ambiente



Raccolta differenziata. Questo prodotto non deve essere smaltito con i normali rifiuti domestici.

Nel caso in cui si decida di sostituire l'apparecchio oppure di disfarsene in quanto non più necessario, non dovrà essere smaltito con i normali rifiuti domestici. Smaltire il prodotto tramite raccolta differenziata.



La raccolta differenziata di prodotti e imballaggi usati, consente il riciclaggio e il riutilizzo dei materiali. Riutilizzare i materiali riciclati aiuta a prevenire l'inquinamento ambientale e riduce la richiesta di materie prime.

In base alle normative locali, i servizi per la raccolta differenziata di elettrodomestici possono essere disponibili presso i punti di raccolta municipali o presso il rivenditore, al momento dell'acquisto di un nuovo prodotto.

Black & Decker offre ai suoi clienti un servizio per la raccolta differenziata e la possibilità di riciclare i prodotti Black & Decker che hanno esaurito la loro durata in servizio. Per usufruire del servizio, è sufficiente restituire il prodotto a qualsiasi tecnico autorizzato, incaricato della raccolta per conto dell'azienda.

Per individuare il tecnico autorizzato più vicino, rivolgersi alla sede Black & Decker locale, presso il recapito indicato nel presente manuale. Altrimenti un elenco completo di tutti i tecnici autorizzati Black & Decker e i dettagli completi sui contatti e i servizi post-vendita sono disponibili sul sito Internet: www.2helpU.com

Batterie



Le batterie della Black & Decker si possono ricaricare più volte: al termine della loro durata in servizio, devono essere raccolte negli appositi contenitori, per garantirne lo smaltimento nel rispetto dell'ambiente.

- ◆ Quando è completamente esaurita, la batteria deve essere estratta dall'utensile.
- ◆ Le batterie NiCd, NiMH e Li-Ion sono riciclabili e devono essere consegnate a un tecnico autorizzato o portate presso un impianto di riciclaggio di zona.

Dati tecnici

		HP146F4L	HP148F4L
Tensione	V _{DC}	14,4	14,4
Velocità a vuoto	min ⁻¹	0-350/0-1.200	0-350/0-1.200
Coppia max.	Nm	28	29
Capacità del mandrino	mm	13	13
Capacità di perforazione massima			
acciaio/legno/muratura	mm	13/19	13/19/13
Cat. no. batteria		A1114L	A1114L
Peso (senza batteria)	kg	1,33	1,38

		HP186F4L	HP188F4L
Tensione	V _{DC}	18	18
Velocità a vuoto	min ⁻¹	0-350/0-1.200	0-350/0-1.200
Coppia max.	Nm	33	34
Capacità del mandrino	mm	13	13
Capacità di perforazione massima			
acciaio/legno/muratura	mm	13/25	13/25/13
Cat. no. batteria		A1118L	A1118L
Peso (senza batteria)	kg	1,33	1,38

Batteria		A1114L	A1118L
Tensione	V _{DC}	14,4	18
Capacità	Ah	1,1	1,1
Peso	kg	0,37	0,44

Caricabatteria

Tensione di rete	V _{AC}	230
Tempo approssimato di carica	h	1
Peso	kg	0,55

Dichiarazione europea di conformità del macchinario

HP146F4L H1/HP148F4L H1/HP186F4L H1/HP188F4L H1

Black & Decker dichiara che i presenti prodotti sono conformi a: 98/37/CE, EN 60745

Livello di pressione sonora, dati conformi alla norma EN 60745:

Pressione sonora (L_{pA}) 87,7 dB(A), incertezza (K) 3 dB(A)
Potenza acustica (L_{WA}) 98,7 dB(A), incertezza (K) 3 dB(A)

Valori totali di vibrazione (somma vettoriale triax) determinati in base a EN 60745:

Foratura a percussione nel calcestruzzo (a_{h,10}) 17,7 m/s², incertezza (K) 1,5 m/s²

Foratura nel metallo (a_{h,D}) 1,32 m/s², incertezza (K) 1,5 m/s²
Avvitatura senza percussione (a_{h,S}) 0,65 m/s², incertezza (K) 1,5 m/s²

Il sottoscritto è responsabile della compilazione del file tecnico e rilascia la presente dichiarazione per conto di Black & Decker.

Kevin Hewitt

Direttore tecnico prodotti di consumo
Spennymoor, County Durham DL16 6JG,

Regno Unito

28-5-2009

Garanzia

Certa della qualità dei suoi prodotti, Black & Decker offre una garanzia eccezionale. Il presente certificato di garanzia è complementare ai diritti statutari e non li pregiudica in alcun modo. La garanzia è valida entro il territorio degli Stati membri dell'Unione Europea e dell'EFTA (European Free Trade Area).

Se un prodotto Black & Decker risulta difettoso per qualità del materiale, della costruzione o per mancata conformità entro 24 mesi dalla data di acquisto, Black & Decker garantisce la sostituzione delle parti difettose, provvede alla riparazione dei prodotti se ragionevolmente usurati oppure alla loro sostituzione, in modo da ridurre al minimo il disagio del cliente a meno che:

- ◆ Il prodotto non sia stato destinato ad usi commerciali, professionali o al noleggio;
- ◆ Il prodotto non sia stato usato in modo improprio o scorretto;
- ◆ Il prodotto non abbia subito danni causati da oggetti o sostanze estranee oppure incidenti;
- ◆ Il prodotto non abbia subito tentativi di riparazione non effettuati da tecnici autorizzati né dall'assistenza Black & Decker.

Per attivare la garanzia è necessario esibire la prova comprovante l'acquisto al venditore o al tecnico autorizzato.

Per individuare il tecnico autorizzato più vicino, rivolgersi alla sede Black & Decker locale, presso il recapito indicato nel presente manuale. Altrimenti un elenco completo di tutti i tecnici autorizzati Black & Decker e i dettagli completi sui contatti e i servizi post-vendita sono disponibili su Internet presso: www.2helpU.com

I clienti che desiderano registrare il nuovo prodotto Black & Decker e ricevere gli aggiornamenti sui nuovi prodotti e le offerte speciali, sono invitati a visitare il sito Web (www.blackanddecker.it). Ulteriori informazioni sul marchio e la gamma di prodotti Black & Decker sono disponibili all'indirizzo www.blackanddecker.it

Gebruik volgens bestemming

Uw Black & Decker schroef/boormachine is bedoeld voor het in- en uitdraaien van schroeven en voor het boren in hout, metaal, kunststoffen en zacht metselwerk. Deze machine is uitsluitend bestemd voor consumentengebruik.

Veiligheidsvoorschriften

Algemene veiligheidswaarschuwingen voor elektrisch gereedschap



Waarschuwing! Lees alle veiligheidsinstructies en alle voorschriften. Wanneer de volgende waarschuwingen en voorschriften niet in acht worden genomen, kan dit een elektrische schok, brand of ernstig letsel tot gevolg hebben.

Bewaar alle waarschuwingen en instructies zorgvuldig.

Het hierna gebruikte begrip "elektrisch gereedschap" heeft betrekking op elektrische gereedschappen voor gebruik op het stroomnet (met netsnoer) of op batterijen (snoerloos).

1. **Veiligheid van de werkomgeving**
 - a. **Houd uw werkomgeving schoon en opgeruimd.** Een rommelige en een onverlichte werkomgeving kan tot ongevallen leiden.
 - b. **Werk niet met elektrische gereedschappen in een omgeving met explosiegevaar, zoals in aanwezigheid van brandbare vloeistoffen, gassen of stof.** Elektrische gereedschappen veroorzaken vonken die het stof of de dampen tot ontsteking kunnen brengen.
 - c. **Houd kinderen en andere personen tijdens het gebruik van het elektrische gereedschap uit de buurt.** Wanneer u wordt afgeleid, kunt u de controle over het gereedschap verliezen.
2. **Elektrische veiligheid**
 - a. **De netstekker van het gereedschap moet in het stopcontact passen. De stekker mag in geen geval worden veranderd. Gebruik geen adapterstekkers in combinatie met geaarde gereedschappen.** Onveranderde stekkers en passende stopcontacten verminderen de kans op een elektrische schok.
 - b. **Voorkom aanraking van het lichaam met geaarde oppervlakken, bijvoorbeeld buizen, verwarmingen, fornuizen en koelkasten.** De kans op een elektrische schok is groter als uw lichaam geaard is.
 - c. **Stel elektrisch gereedschap niet bloot aan regen en vocht.** In elektrisch gereedschap binnendringend water vergroot de kans op een elektrische schok.
 - d. **Gebruik het snoer niet voor een verkeerd doel. Gebruik het snoer niet om het gereedschap te dragen, voor te trekken of om de stekker uit het stopcontact te trekken. Houd het snoer uit de buurt van hitte, olie, scherpe randen of bewegende delen.** Beschadigde of in de war geraakte snoeren vergroten de kans op een elektrische schok.
 - e. **Gebruik wanneer u buitenshuis met elektrisch gereedschap werkt alleen verlengsnoeren die voor gebruik buitenshuis zijn goedgekeurd.** Het gebruik van een voor gebruik buitenshuis geschikt verlengsnoer verkleint de kans op een elektrische schok.
 - f. **Gebruik een netvoeding voorzien van een reststroomvoorziening (RCD) indien het gebruiken van elektrisch gereedschap op een vochtige locatie onvermijdelijk is.** Gebruik van een reststroomvoorziening verkleint het risico van elektrische schok.
3. **Veiligheid van personen**
 - a. **Wees alert, let goed op wat u doet en ga met verstand te werk bij het gebruik van elektrische gereedschappen. Gebruik elektrisch gereedschap niet wanneer u moe bent of onder invloed van drugs, alcohol of medicijnen.** Een moment van onoplettendheid bij het gebruik van het gereedschap kan tot ernstige verwondingen leiden.
 - b. **Gebruik persoonlijke beschermende uitrusting. Draag altijd oogbescherming.** Persoonlijke beschermende uitrusting zoals een stofmasker, slipvast werkschoenen, een veiligheidshelm of gehoorbescherming, gebruikt voor geschikte condities, verkleint het risico van verwondingen.
 - c. **Voorkom onbedoeld inschakelen. Zorg ervoor dat de schakelaar in de "uit"-stand staat voordat u de stekker in het stopcontact steekt, de accu plaatst of het gereedschap oppakt of draagt.** Het dragen van het gereedschap met uw vinger aan de schakelaar of het gereedschap ingeschakeld op de stroomvoorziening aansluiten kan tot ongelukken leiden.
 - d. **Verwijder stelsleutels of moersleutels voordat u het gereedschap inschakelt.** Een sleutel in een draaiend onderdeel van het elektrische gereedschap kan tot verwondingen leiden.
 - e. **Reik niet te ver. Zorg altijd dat u stevig staat en in evenwicht blijft.** Daardoor kunt u het gereedschap in onverwachte situaties beter onder controle houden.
 - f. **Draag geschikte kleding. Draag geen loshangende kleding of sieraden. Houd haren, kleding en handschoenen uit de buurt van bewegende delen.** Loshangende kleding, sieraden en lange haren kunnen bekneld raken in bewegende delen.
 - g. **Sluit eventueel bijgeleverde stofafzuig- of stofopvangvoorzieningen aan en gebruik ze op de juiste manier.** Het gebruik van stofopvang beperkt het gevaar door stof.

4. **Gebruik en onderhoud van elektrische gereedschappen**
 - a. **Overbelast het gereedschap niet. Gebruik voor uw toepassing het daarvoor bestemde elektrische gereedschap.** Met het passende elektrische gereedschap werkt u beter en veiliger binnen het aangegeven capaciteitsbereik.
 - b. **Gebruik geen elektrisch gereedschap waarvan de schakelaar defect is.** Elektrisch gereedschap dat niet meer kan worden in- of uitgeschakeld is gevaarlijk en moet worden gerepareerd.
 - c. **Trek de stekker uit het stopcontact en/of accu alvorens het gereedschap af te stellen, accessoires te verwisselen of elektrisch gereedschap op te bergen.** Deze voorzorgsmaatregel voorkomt onbedoeld starten van het gereedschap.
 - d. **Bewaar elektrische gereedschappen die niet worden gebruikt buiten bereik van kinderen. Laat personen die niet met het gereedschap vertrouwd zijn of deze aanwijzingen niet hebben gelezen niet met het gereedschap werken.** Elektrische gereedschappen zijn gevaarlijk in de handen van onervaren personen.
 - e. **Verzorg het gereedschap zorgvuldig. Controleer bewegende delen van het gereedschap op goede uitlijning en soepele werking. Controleer of onderdelen niet gebroken zijn of dat de werking van het gereedschap niet op enige andere wijze nadelig wordt beïnvloed. Laat beschadigde delen repareren voordat u met het gereedschap gaat werken.** Veel ongevallen worden veroorzaakt door slecht onderhouden elektrische gereedschappen.
 - f. **Houd snijgereedschappen scherp en schoon.** Zorgvuldig onderhouden snijgereedschappen met scherpe snijkanten lopen minder snel vast en zijn gemakkelijker te sturen.
 - g. **Gebruik elektrische gereedschappen, toebehoren, inzetgereedschappen en dergelijke volgens deze aanwijzingen. Let daarbij op de arbeidsomstandigheden en de uit te voeren werkzaamheden.** Het gebruik van elektrische gereedschappen voor andere dan de voorziene toepassingen kan tot gevaarlijke situaties leiden.
5. **Gebruik en onderhoud van op een accu werkende gereedschappen**
 - a. **Laad accu's alleen op in door de fabrikant gespecificeerde opladers.** Een voor een bepaald type accu geschikte oplader levert brandgevaar op bij gebruik met een andere accu.
 - b. **Gebruik elektrische gereedschappen alleen met de daarvoor bedoelde accu's.** Het gebruik van andere accu's kan letsel en brand veroorzaken.

- c. **Houd accu's die niet in gebruik zijn uit de buurt van metalen voorwerpen, zoals paperclips, munten, sleutels, spijkers, schroeven en andere kleine metalen voorwerpen, die overbrugging van de contacten kunnen veroorzaken.** Kortsluiting tussen de accupolen brandwonden of brand veroorzaken.
 - d. **Bij verkeerd gebruik kan vloeistof uit de batterij lekken. Voorkom contact. Spoel in geval van onbedoeld contact met water. Raadpleeg tevens een arts als de vloeistof in contact komt met de ogen.** Uit de batterij gelekte vloeistof kan huidirritaties of brandwonden veroorzaken.
6. **Service**
 - a. **Laat het elektrische gereedschap alleen repareren door een gekwalificeerde reparateur en alleen het gebruik van originele vervangingsonderdelen.** Dit garandeert de veiligheid van het gereedschap.

Aanvullende veiligheidswaarschuwingen voor elektrisch gereedschap



Waarschuwing! Aanvullende veiligheidswaarschuwingen voor boormachines en klopbormachines

- ◆ **Draag oorbeschermers bij klopbormachines.** Blootstelling aan lawaai kan gehoorbeschadiging veroorzaken.
- ◆ **Gebruik de handgrepen die met de machine worden meegeleverd.** Het niet in bedwang kunnen houden van de machine kan leiden tot ongelukken.
- ◆ **Houd de machine alleen aan de geïsoleerde greepvlakken vast als u werkzaamheden uitvoert waarbij het zaagaccessoire verborgen stroomleidingen of de eigen machinekabel kan raken.** Het zaagaccessoire dat een onder spanning staande leiding raakt, zetten ook de zichtbare metalen machinedelen onder spanning; dit kan leiden tot een elektrische schok.
- ◆ **Hanteer klemmen of een andere praktische manier om het werkstuk op een stabiele ondergrond vast te klemmen en te ondersteunen.** Het werkstuk met de hand vasthouden of tegen het lichaam houden zorgt voor instabiliteit en kan leiden tot controleverlies.
- ◆ **Controleer voordat u gaat boren in muren, vloeren of plafonds de locatie van eventueel aanwezige gas-, water- en elektriciteitsleidingen.**
- ◆ **Vermijd aanraking met de punt van de boor vlak na het boren, omdat deze heet kan zijn.**

- ◆ Deze machine is niet bedoeld voor gebruik door personen (inclusief kinderen) met beperkt lichamelijk, zintuiglijk of geestelijk vermogen, of gebrek aan ervaring en kennis, tenzij hen de supervisie of instructie is gegeven omtrent het gebruik van de machine door een persoon die verantwoordelijk is voor hun veiligheid. Houd toezicht op kinderen om ervoor te zorgen dat zij niet met het apparaat gaan spelen.
- ◆ Het gebruik volgens bestemming is beschreven in deze handleiding. Gebruik ter voorkoming van lichamelijk letsel en/ of materiële schade uitsluitend de in deze gebruiksaanwijzing aanbevolen accessoires en hulpstukken. Gebruik het instrument uitsluitend volgens bestemming.

Vibratie

De verklaarde trillingsafgifte in het gedeelte van de technische gegevens / conformiteitsverklaring zijn gemeten volgens een standaard testmethode vastgesteld door EN 60745 en kan worden gebruikt om apparaten met elkaar te vergelijken. De verklaarde trillingsafgifte kan ook worden gebruikt in een voorlopige beoordeling van blootstelling.

Waarschuwing! De waarde van de trillingsafgifte tijdens daadwerkelijk gebruik van elektrisch gereedschap kan afwijken van de verklaarde waarde afhankelijk op wat voor manieren het apparaat wordt gebruikt. Het trillingsniveau kan toenemen boven het aangegeven niveau.

Bij het bepalen van de trillingsblootstelling ter vaststelling van de veiligheidsmaatregelen vereist door 2002/44/EG - ter bescherming van personen die werkmattig geregeld elektrisch gereedschap gebruiken - dient een inschatting van de trillingsblootstelling de feitelijke gebruikscondities en bedieningswijze in acht te nemen, inclusief alle onderdelen van de bedieningscyclus, zoals het uitschakelen van het apparaat en het onbelast laten lopen alsmede de trekkertijd.

Labels op de machine

Op de machine vindt u de volgende pictogrammen:



Waarschuwing! De gebruiker moet de handleiding lezen om risico op letsel te verkleinen

Aanvullende veiligheidsvoorschriften voor accu's en opladers

Accu's

- ◆ Probeer nooit een accu te openen.
- ◆ Stel de accu niet aan water bloot.
- ◆ Bewaar accu's niet op plaatsen waar de temperatuur hoger kan worden dan 40 °C.
- ◆ Laad accu's uitsluitend op bij een omgevingstemperatuur tussen 10 °C en 40 °C.

- ◆ Laad accu's uitsluitend op met behulp van de meegeleverde oplader.
- ◆ Volg bij het weggooiën van accu's de instructies in de paragraaf "Milieu" op.



Probeer nooit een beschadigde accu op te laden.

Opladers

- ◆ Gebruik uw Black & Decker oplader uitsluitend voor het opladen van accu's van het meegeleverde type. Andere accu's kunnen scheuren en zo letsel en materiële schade veroorzaken.
- ◆ Probeer nooit niet-oplaadbare accu's op te laden.
- ◆ Laat een defect netsnoer onmiddellijk vervangen.
- ◆ Stel de oplader niet aan water bloot.
- ◆ Open de oplader niet.
- ◆ Doorboor de oplader niet.



De oplader is uitsluitend bedoeld voor gebruik binnenshuis.



Lees voor gebruik de gebruiksaanwijzing.



De oplader sluit automatisch af als de omgevingstemperatuur te hoog wordt. Zodra de omgevingstemperatuur is gedaald, zal de oplader opnieuw gaan werken.



Accu is te heet



Laad accu's uitsluitend op bij een omgevingstemperatuur tussen 10 °C en 40 °C.



Laadproces beëindigd (continu groen lampje)



Opladen (groen oplichtend lampje)



Defecte accu



Lage netspanning

Elektrische veiligheid



Uw oplader is dubbel geïsoleerd; een aardaansluiting is daarom niet noodzakelijk. Controleer altijd of de netspanning overeenkomt met het voltage op het typeplaatje. Vervang de oplader nooit door een netstekker.

- ◆ Indien het netsnoer is beschadigd, dient het ter voorkoming van gevaren te worden vervangen door de fabrikant of een erkend servicecentrum.

Onderdelen

Al naar gelang de uitvoering beschikt deze machine over de volgende onderdelen.

1. Schakelaar voor elektronisch regelbaar toerental
2. Links/rechts-schakelaar
3. Boorhouder
4. Modusselectie/koppelstelkraag
5. Twee versnellingen keuzeschakelaar
6. Bithouder
7. Accu

Fig. A

8. Oplader
9. Opladerhouder
10. Oplaadindicator

Montage

Waarschuwing! Neem voor de montage de accu van de machine.

Aanbrengen en verwijderen van de accu (fig. B)

- ◆ Om de accu (7) aan te brengen, houdt u hem voor de houder in het apparaat. Schuif de accu in de houder en duw de accu aan totdat hij vastklikt.
- ◆ Om de accu te verwijderen, drukt u de ontgrendelingsknop (11) in en trekt tegelijkertijd de accu uit de houder.

Aanbrengen van het batterijdeksel (fig. C)

Waarschuwing! Plaats voor transport en opslag de accukap (12) op de accu (7).

Monteren en verwijderen van een boor of schroefbit (fig. D)

Deze machine is voorzien van een snelspanboorhouder voor het eenvoudig verwisselen van bits.

- ◆ Vergrendel de machine door de links/rechts-schuif (2) in de middenpositie te zetten.
- ◆ Open de boorhouder door met één hand aan de huls (13) te draaien en ondertussen met de andere hand de machine vast te houden.
- ◆ Steek de schacht van de boor of bit (14) in de boorhouder.
- ◆ Draai de boorhouder stevig vast door met één hand aan de huls (13) te draaien en ondertussen met de andere hand de machine vast te houden.

Deze machine wordt geleverd met een dubbelzijdige schroevendraaierbit in de bithouder (6).

- ◆ Om de schroefbit uit de bithouder te verwijderen, licht u de bit uit de uitsparing.
- ◆ Om de schroefbit te bewaren, drukt u deze stevig in de houder.

Gebruik

Waarschuwing! Laat de machine op haar eigen tempo werken. Niet overbelasten.

Opladen van de accu (fig. A)

Waarschuwing! Laad de accu niet op bij omgevingstemperaturen onder 10 °C of boven 40 °C. Aanbevolen oplaadtemperatuur: ca. 24 °C.

Opmerking: De oplader laadt de accu niet op als de celtemperatuur lager is dan ongeveer 0 °C of hoger is dan 60 °C. De accu kan in de oplader gelaten worden en de oplader begint automatisch met opladen wanneer de celtemperatuur omhoog of omlaag gaat.

- ◆ Steek de stekker van de oplader (8) in het stopcontact en schakel het apparaat in.
- ◆ Steek de accu (7) in het oplaadstation. Verzeker u ervan dat de accu volledig in de oplader (8) is geplaatst.

De oplaadindicator (10) knippert onafgebroken (langzaam). Het opladen is voltooid wanneer de oplaadindicator (10) onafgebroken brandt. De oplader en de accu kunnen onbepert verbonden worden met verlichte LED. De LED begint te knipperen (opladen) wanneer de oplader van tijd tot tijd de lading van de accu aftopt. De oplaadindicator (10) zal gaan branden zolang de accu is aangesloten aan de oplader in het stopcontact.

- ◆ Laad ontladen accu's op binnen 1 week. De levensduur van de accu's wordt sterk verminderd als de accu's in ontladen toestand worden opgeslagen.

Oplaadindicatoren

De oplaadindicator (10) gaat snel knipperen als de oplader een probleem met de accu detecteert. Ga als volgt te werk:

- ◆ Plaats de accu (7) opnieuw.
- ◆ Gebruik een andere accu om te bepalen of het oplaadproces naar behoren verloopt als de oplaadindicatoren onafgebroken snel knipperen.
- ◆ De originele accu is defect en moet teruggebracht worden naar een servicecentrum voor verwerking als de vervangen accu correct oplaadt.
- ◆ Laat de oplader testen bij een erkend servicecentrum als bij de nieuwe accu hetzelfde probleem ontstaat als bij de originele accu.

Opmerking: Het kan minstens 15 minuten duren om te bepalen of de accu defect is. De LED knippert afwisseld snel en langzaam, een knippering bij elke snelheid en herhaling, als de accu te warm of te koud is.


Selecteren van de draairichting (fig. E)

Kies voor boren en schroeven indraaien de draairichting rechtsom (met de klok mee). Kies voor schroeven losdraaien of voor het verwijderen van een vastgelopen boor de draairichting linksom (tegen de klok in).


- ◆ Om de draairichting rechtsom te selecteren, drukt u de links/rechts-schakelaar (2) naar links.
- ◆ Om de draairichting linksom te selecteren, drukt u de links/rechts-schakelaar naar rechts.
- ◆ Om de machine te vergrendelen, zet u de links/rechts-schakelaar in de middenpositie.

De werkmodus of het koppel selecteren (fig. F)

Deze machine is voorzien van een kraag om de werkmodus te selecteren en het koppel in te stellen voor het vastdraaien van schroeven. Grote schroeven en werkstukken van harde materialen vereisen een hogere koppelinstelling dan kleine schroeven en werkstukken van zachte materialen. De kraag bevat een groot aantal instellingen om op uw toepassing af te stellen.

- ◆ Voor boren in hout, metaal en kunststoffen zet u de kraag (4) in de boorpositie door het symbool  op één lijn met de markering (15) te brengen.
- ◆ Voor schroevendraaien zet u de kraag in de gewenste stand. Als u de geschikte stand nog niet kent, gaat u als volgt te werk:
 - Zet de kraag (4) op de laagste koppelinstelling.
 - Draai de eerste schroef in.
 - Als de koppeling slijpt voordat het gewenste resultaat is bereikt, verhoogt u de koppelstand en gaat u verder met het indraaien van de schroef. Herhaal totdat u de juiste stand bereikt. Gebruik deze stand voor de resterende schroeven.

HP148F4L/HP188F4 - Boren in metselwerk (fig. F & G)

- ◆ Voor boren in metselwerk zet u de kraag (4) in de klopperpositie door het symbool  op één lijn met de markering (15) te brengen.
- ◆ Schuif de twee versnellingen keuzeschakelaar (5) in de richting van de voorkant van de machine (tweede versnelling).

Twee versnellingen keuzeschakelaar (fig. G)

- ◆ Schuif voor boren in staal en voor schroevendraaiertoepassingen de twee versnellingen keuzeschakelaar (5) in de richting van de achterkant van de machine (eerste versnelling).
- ◆ Schuif voor boren in andere materialen dan staal de twee versnellingen keuzeschakelaar (5) in de richting van de voorkant van de machine (tweede versnelling).

Boren/schroeven draaien

- ◆ Selecteer de draairichting links- of rechtsom met behulp van de links/rechts-schakelaar (2).
- ◆ Om de machine in te schakelen, drukt u de schakelaar (1) in. De machinesnelheid hangt af van hoever u de schakelaar indrukt.
- ◆ Om de machine uit te schakelen, laat u de schakelaar los.

Tips voor optimaal gebruik

Boren

- ◆ Voer altijd lichte druk uit in een rechte lijn met de boor.
- ◆ Verminder de druk op de machine net voordat de boorpunt door de andere kant van het werkstuk heengaat.
- ◆ Gebruik een blok hout om werkstukken die kunnen versplinteren te beschermen.
- ◆ Gebruik houtboren voor het boren van grote gaten in hout.
- ◆ Gebruik HSS-boren voor het boren in metaal.
- ◆ Gebruik steenboorbits voor boren in zacht metselwerk.
- ◆ Gebruik een smeermiddel voor boren in andere metalen dan gietijzer en koper.
- ◆ Maak een inkerving met behulp van een centerpons in het midden van het te boren gat om de nauwkeurigheid te vergroten.

Schroeven

- ◆ Gebruik altijd het juiste type en de juiste maat schroefbit.
- ◆ Als schroeven moeilijk in te draaien zijn, gebruik dan een beetje vloeibaar wasmiddel of zeep als smeermiddel.
- ◆ Houd de machine en schroefbit altijd in een rechte lijn met de schroef.

Onderhoud

Uw Black & Decker machine is ontworpen om gedurende langere periode te functioneren met een minimum aan onderhoud. Voortdurend tevreden gebruik is afhankelijk van correct onderhoud en regelmatig schoonmaken.

Uw oplader heeft geen ander onderhoud dan een regelmatig reiniging.

Waarschuwing! Verwijder de accu van de machine alvorens onderhoudswerkzaamheden uit te voeren. Koppel voor het reinigen van de oplader de netstekker los van het lichtnet.

- ◆ Reinig regelmatig de ventilatieopeningen van de machine en oplader met behulp van een zachte borstel of een droge doek.
- ◆ Reinig regelmatig de behuizing van de motor met een vochtige doek. Gebruik geen schuur- of oplosmiddel.
- ◆ Open regelmatig de boorhouder en tik zachtjes om eventueel stof uit de binnenkant te verwijderen.

Milieu



Gescheiden inzameling. Dit product mag niet met het gewone huishoudelijke afval worden weggegooid.

Wanneer uw oude Black & Deckerproduct aan vervanging toe is of het u niet langer van dienst kan zijn, gooi het dan niet bij het huishoudelijk afval. Zorg ervoor dat het product gescheiden kan worden ingezameld.



Door gebruikte producten en verpakkingen gescheiden in te zamelen, worden de materialen gerecycled en opnieuw gebruikt. Hergebruik van gerecyclede materialen voorkomt milieuvuiling en vermindert de vraag naar grondstoffen.

Inzamelpunten voor gescheiden inzameling van elektrische huishoudproducten bij gemeentelijke vuilnisbergen of bij de verkoper waar u een nieuw product koopt, kunnen aan plaatselijke voorschriften gebonden zijn.

Black & Decker biedt de mogelijkheid tot inzamelen en recyclen van afgedankte Black & Decker producten. Om gebruik van deze service te maken, dient u het product aan een van onze servicecentra te sturen, die voor ons de inzameling verzorgen.

U kunt het adres van het dichtstbijzijnde servicecentrum opvragen via de adressen op de achterzijde van deze handleiding. U kunt ook een lijst van onze servicecentra en meer informatie m.b.t. onze klantenservice vinden op het volgende Internet-adres: www.2helpU.com

Accu's



Black & Decker accu's kunnen vele malen opnieuw worden opgeladen. Versleten accu's dienen op milieubewuste wijze te worden verwijderd:

- Gebruik de energie van de accu helemaal op en verwijder hem dan van de machine.
- NiCd-, NiMH- en Li-Ion-accu's zijn te recyclen. Breng ze naar een servicecentrum of naar een plaatselijk verwerkingscentrum voor klein chemisch afval.

Technische gegevens

	HP146F4L	HP148F4L
Spanning	V _{DC} 14,4	14,4
Onbelast toerental	min ⁻¹ 0-350/0-1.200	0-350/0-1.200
Max. koppel	Nm 28	29
Boorhoudercapaciteit	mm 13	13
Max. boorcapaciteit		
staal/hout/metselwerk	mm 13/19/13	13/19/13
Cat. nr. accu	A1114L	A1114L
Gewicht (zonder accu)	kg 1,33	1,38

	HP186F4L	HP188F4L
Spanning	V _{DC} 18	18
Onbelast toerental	min ⁻¹ 0-350/0-1.200	0-350/0-1.200
Max. koppel	Nm 33	34
Boorhoudercapaciteit	mm 13	13
Max. boorcapaciteit		
staal/hout/metselwerk	mm 13/25	13/25/13
Cat. nr. accu	A1118L	A1118L
Gewicht (zonder accu)	kg 1,33	1,38

Accu	A1114L	A1118L
Spanning	V _{DC} 14,4	18
Capaciteit	Ah 1,1	1,1
Gewicht	kg 0,37	0,44

Oplader

Netspanning	V _{AC} 230
Gemiddelde oplaadtijd	h 1
Gewicht	kg 0,55

EG-conformiteitsverklaring

HP146F4L H1/HP148F4L H1/HP186F4L H1/HP188F4L H1

Black & Decker verklaart dat deze producten in overeenstemming zijn met:
98/37/EG, EN 60745

Niveau van de geluidsdruk, gemeten volgens EN 60745:
Geluidsdruk (L_{pA}) 87,7 dB(A), onzekerheid (K) 3 dB(A)
Geluidsvermogen (L_{WA}) 98,7 dB(A), onzekerheid (K) 3 dB(A)

Totale trillingswaarden (triaxale vectorsom) volgens EN 60745:
Klopboeren in beton (a_{n, ID}) 17,7 m/s², onzekerheid (K) 1,5 m/s²
Boren in metaal (a_{n, D}) 1,32 m/s², onzekerheid (K) 1,5 m/s²
In- en uitdraaien van schroeven zonder stootkracht (a_{n, S})
0,65 m/s², onzekerheid (K) 1,5 m/s²

De ondergetekende is verantwoordelijk voor de samenstelling van de technische gegevens en geeft deze verklaring namens
Black & Decker.

Kevin Hewitt
Director of Consumer Engineering
Spennymoor, County Durham DL16 6JG,
Verenigd Koninkrijk
28-5-2009

Garantie

Black & Decker heeft vertrouwen in zijn producten en biedt een uitstekende garantie. Deze garantiebepalingen vormen een aanvulling op uw wettelijke rechten en beperken deze niet. De garantie geldt in de lidstaten van de Europese Unie en de Europese Vrijhandelsassociatie.

Mocht uw Black & Decker product binnen 24 maanden na datum van aankoop defect raken tengevolge van materiaal- of constructiefouten, dan garanderen wij de kosteloze vervanging van defecte onderdelen, de reparatie van het product of de vervanging van het product, tenzij:

- ◆ Het product is gebruikt voor handelsdoeleinden, professionele toepassingen of verhuurdoeleinden;
- ◆ Het product onoordeelkundig is gebruikt;
- ◆ Het product is beschadigd door invloeden van buitenaf of door een ongeval;
- ◆ Reparaties zijn uitgevoerd door anderen dan onze servicecentra of Black & Decker personeel.

Om een beroep op de garantie te doen, dient u een aankoopbewijs te overhandigen aan de verkoper of een van onze servicecentra. U kunt het adres van het dichtstbijzijnde servicecentrum opvragen via de adressen op de achterzijde van deze handleiding. U kunt ook een lijst van onze servicecentra en meer informatie m.b.t. onze klantenservice vinden op het volgende Internet-adres: **www.2helpU.com**

Meld u aan op onze website **www.blackanddecker.nl** om te worden geïnformeerd over nieuwe producten en speciale aanbiedingen. Verdere informatie over het merk Black & Decker en onze producten vindt u op **www.blackanddecker.nl**

Finalidad

El taladro/atornillador Black & Decker ha sido diseñado para atornillar y desatornillar así como para taladrar madera, metal, plástico y mampostería blanda. Esta herramienta está pensada únicamente para uso doméstico.

Instrucciones de seguridad

Advertencias de seguridad generales para herramientas eléctricas



¡Atención! Lea todas las advertencias e instrucciones de seguridad. En caso de no respetarse las advertencias e instrucciones indicadas a continuación, podría producirse una descarga eléctrica, incendio y/o lesión grave.

Conserve todas las advertencias e instrucciones para su posterior consulta. El término "herramienta eléctrica" empleado en las advertencias indicadas a continuación se refiere a la herramienta eléctrica con alimentación de red (con cable) o alimentada por pila (sin cable).

1. Seguridad del área de trabajo

- Mantenga limpia y bien iluminada el área de trabajo.** El desorden o una iluminación deficiente en las áreas de trabajo pueden provocar accidentes.
- No utilice la herramienta eléctrica en un entorno con peligro de explosión, en el que se encuentren combustibles líquidos, gases o material en polvo.** Las herramientas eléctricas producen chispas que pueden llegar a inflamar los materiales en polvo o vapores.
- Mantenga alejados a los niños y otras personas del área de trabajo al emplear la herramienta eléctrica.** Una distracción le puede hacer perder el control sobre la herramienta.

2. Seguridad eléctrica

- El enchufe de la herramienta eléctrica debe corresponder a la toma de corriente utilizada. No es admisible modificar el enchufe en forma alguna. No emplee adaptadores en herramientas eléctricas dotadas con una toma de tierra.** Los enchufes sin modificar adecuados a las respectivas tomas de corriente reducen el riesgo de una descarga eléctrica.
- Evite que su cuerpo toque partes conectadas a tierra como tuberías, radiadores, cocinas y refrigeradores.** El riesgo a quedar expuesto a una descarga eléctrica es mayor si su cuerpo tiene contacto con tierra.
- No exponga las herramientas eléctricas a la lluvia y evite que penetren líquidos en su interior.** Existe el peligro de recibir una descarga eléctrica si penetran ciertos líquidos en la herramienta eléctrica.

- Cuide el cable eléctrico. No utilice el cable eléctrico para transportar o colgar la herramienta eléctrica, ni tire de él para sacar el enchufe de la toma de corriente. Mantenga el cable eléctrico alejado del calor, aceite, bordes afilados o piezas móviles.** Los cables eléctricos dañados o enredados pueden provocar una descarga eléctrica.
- Al trabajar con la herramienta eléctrica en la intemperie utilice solamente cables alargadores homologados para su uso en exteriores.** La utilización de un cable alargador adecuado para su uso en exteriores reduce el riesgo de una descarga eléctrica.
- Si fuera inevitable la utilización de una herramienta eléctrica en un lugar húmedo, utilice un suministro protegido con un dispositivo de corriente residual (RCD).** La utilización de un dispositivo de corriente residual reduce el riesgo de descarga eléctrica.

3. Seguridad personal

- Esté atento a lo que hace y emplee la herramienta eléctrica con prudencia. No utilice la herramienta eléctrica si estuviese cansado, ni tampoco después de haber consumido alcohol, drogas o medicamentos.** El no estar atento durante el uso de una herramienta eléctrica puede provocar serias lesiones.
- Utilice equipos de protección personal. Lleve siempre protección ocular.** Los equipos de protección tales como una mascarilla antipolvo, zapatos de seguridad con suela antideslizante, casco o protectores auditivos, utilizados en condiciones adecuadas, contribuyen a reducir las lesiones personales.
- Evite una puesta en marcha involuntaria. Asegúrese de que el interruptor esté en la posición de apagado antes de conectar a la fuente de alimentación o la batería, coger o transportar la herramienta.** Si se transportan herramientas eléctricas con el dedo sobre el interruptor o si se enchufan con el interruptor encendido puede dar lugar a accidentes.
- Retire las herramientas de ajuste o llaves fijas antes de conectar la herramienta eléctrica.** Una herramienta o llave colocada en una pieza giratoria de la herramienta eléctrica puede producir lesiones al ponerse a funcionar.
- Sea precavido. Evite adoptar una posición que fatigue su cuerpo; mantenga un apoyo firme sobre el suelo y conserve el equilibrio en todo momento.** Ello le permitirá controlar mejor la herramienta eléctrica en caso de presentarse una situación inesperada.
- Lleve puesta una vestimenta de trabajo adecuada. No lleve vestidos anchos ni joyas. Mantenga su pelo, vestimenta y guantes alejados de las piezas móviles.** La vestimenta suelta, las joyas y el pelo largo se pueden enganchar con las piezas en movimiento.

- g. Siempre que sea posible utilizar unos equipos de aspiración o captación de polvo, asegúrese que éstos estén montados y que sean utilizados correctamente.**
El empleo de equipos de recogida de polvo reduce los riesgos derivados del polvo.
- 4. Uso y cuidado de herramientas eléctricas**
- a. No sobrecargue la herramienta eléctrica. Use la herramienta eléctrica prevista para el trabajo a realizar.** Con la herramienta eléctrica adecuada podrá trabajar mejor y más seguro dentro del margen de potencia indicado.
- b. No utilice herramientas eléctricas con un interruptor defectuoso.** Las herramientas eléctricas que no se puedan conectar o desconectar son peligrosas y deben hacerse reparar.
- c. Desconecte el enchufe de la fuente eléctrica y/o la batería de la herramienta eléctrica antes de realizar ajustes, cambiar accesorios o almacenar la herramienta eléctrica.** Esta medida preventiva reduce el riesgo de conectar accidentalmente la herramienta eléctrica.
- d. Guarde las herramientas eléctricas fuera del alcance de los niños y de las personas que no estén familiarizadas con su uso.** Las herramientas eléctricas utilizadas por personas inexpertas son peligrosas.
- e. Cuide sus herramientas eléctricas con esmero.** Controle si funcionan correctamente, sin atascarse, las partes móviles de la herramienta eléctrica, y si existen partes rotas o deterioradas que pudieran afectar al funcionamiento de la herramienta. Si la herramienta eléctrica estuviese defectuosa haga que la reparen antes de volver a utilizarla. Muchos accidentes se deben a herramientas eléctricas con un mantenimiento deficiente.
- f. Mantenga las herramientas de corte limpias y afiladas.** Las herramientas de corte mantenidas correctamente se dejan guiar y controlar mejor.
- g. Utilice la herramienta eléctrica, los accesorios y las puntas de la herramienta, etc. de acuerdo a estas instrucciones, teniendo en cuenta las condiciones de trabajo y la tarea a realizar.** El uso de herramientas eléctricas para trabajos diferentes de aquellos para los que han sido concebidas puede resultar peligroso.
- 5. Uso y cuidado de herramientas con batería**
- a. Recargue la batería únicamente con el cargador especificado por el fabricante.** Un cargador adecuado para un tipo de batería puede provocar un incendio si se utiliza con otra batería.
- b. Use las herramientas únicamente con las baterías específicamente designadas.** El uso de cualquier otra batería puede provocar lesiones o un incendio.
- c. Cuando no utilice la batería, manténgala alejada de objetos metálicos como clips, monedas, llaves, clavos, tornillos, o cualquier otro objeto metálico pequeño que pueda dar lugar a una conexión entre los bornes.** El cortocircuito entre los bornes de la batería puede ocasionar quemaduras o un incendio.
- d. Un mal uso puede dar lugar a que la pila pierda líquido; evite cualquier contacto con el líquido. Si accidentalmente entra en contacto con el líquido, enjuáguese con agua. Si le entra líquido en los ojos, busque rápidamente asistencia médica.** El líquido que pierde la pila puede ocasionar irritación o quemaduras.
- 6. Servicio técnico**
- a. Haga reparar su herramienta eléctrica sólo por personal técnico autorizado que emplee exclusivamente piezas de repuesto originales.** Solamente así se garantiza la seguridad de la herramienta eléctrica.

Advertencias de seguridad adicionales para herramientas eléctricas



¡Atención! Advertencias de seguridad adicionales para taladros y taladros percutores

- ◆ **Lleve protección acústica cuando utilice taladros percutores.** La exposición al ruido puede provocar la pérdida de audición.
- ◆ **Utilice las empuñaduras auxiliares que se suministran con la herramienta.** La pérdida de control puede provocar lesiones personales.
- ◆ **Sujete la herramienta eléctrica únicamente por las empuñaduras aisladas al realizar trabajos en los que el accesorio de corte pueda tocar cables eléctricos ocultos o su propio cable.** El accesorio de corte que haga contacto con cables con corriente pueden hacer que las partes metálicas al descubierto de la herramienta eléctrica provoquen una descarga al usuario.
- ◆ **Utilice mordazas u otra forma práctica para fijar y soportar la pieza de trabajo a una plataforma estable.** Sujetar el trabajo a mano o contra su cuerpo hace que pierda estabilidad y puede provocar la pérdida de control.
- ◆ **Antes de taladrar paredes, suelos o techos, compruebe la ubicación de cableados y tuberías.**
- ◆ **Evite tocar la punta de la broca inmediatamente después de taladrar, ya que estará caliente.**
- ◆ **Esta herramienta no está destinada para ser utilizada por personas (niños incluidos) con capacidades físicas, sensoriales o mentales reducidas, o que carezcan de experiencia y conocimiento, a menos que reciban supervisión o instrucción respecto al uso de la misma por una persona responsable de su seguridad.**

Debe vigilarse a los niños para asegurarse de que no jueguen con el aparato.

- ◆ En este manual se explica el uso previsto de la herramienta. El uso de otros accesorios, adaptadores, o la propia utilización de la herramienta en cualquier forma diferente de las recomendadas en este manual de instrucciones puede constituir un riesgo de lesiones a las personas y/o daños materiales.

Vibración

Los valores declarados de emisión de vibración indicados en los datos técnicos y la declaración de conformidad se han medido de acuerdo a un método de prueba estándar contemplado por la EN 60745 y puede utilizarse para comparar una herramienta con otra. El valor declarado de emisión de vibración también puede utilizarse en una evaluación preliminar de exposición.

¡Atención! El valor de emisión de vibración durante el uso real de la herramienta eléctrica puede variar del valor declarado en función del modo de utilización de la herramienta. El nivel de vibración puede aumentar por encima del valor indicado.

Cuando se evalúe la exposición a la vibración con el fin de determinar las medidas de seguridad exigidas por la 2002/44/CE para proteger a las personas que utilizan herramientas eléctricas en su empleo con regularidad, una estimación de la exposición a la vibración debe considerar las condiciones reales de uso y la forma en que se utiliza la herramienta, teniendo en cuenta incluso todas las partes del ciclo de trabajo como los momentos en que la herramienta se apaga y cuando está conectada sin funcionar además del tiempo de accionamiento.

Etiquetas sobre la herramienta

En la herramienta se indican los siguientes pictogramas:



¡Atención! Para reducir el riesgo de lesiones, el usuario debe leer el manual de instrucciones.

Instrucciones de seguridad adicionales para baterías y cargadores

Baterías

- ◆ Nunca, por ningún motivo, trate de abrir las baterías.
- ◆ No exponga la batería al agua.
- ◆ No las almacene en lugares donde la temperatura pueda superar los 40 °C.
- ◆ Cargue las baterías únicamente a temperaturas entre 10 °C y 40 °C.
- ◆ Recargue utilizando únicamente el cargador suministrado con la herramienta.

- ◆ Cuando deseché las baterías, siga las instrucciones indicadas en la sección "Protección del medio ambiente".



No intente cargar baterías en mal estado.

Cargadores

- ◆ Use el cargador Black & Decker únicamente para cargar baterías del tipo suministrado. Otras baterías podrían estallar, causando daños y lesiones personales.
- ◆ Nunca intente cargar baterías no recargables.
- ◆ Sustituya inmediatamente los cables defectuosos.
- ◆ No exponga el cargador al agua.
- ◆ No abra el cargador.
- ◆ No manipule el cargador.



El cargador está pensado únicamente para su uso en interiores.



Antes de la utilización, lea el manual de instrucciones.



El cargador se desconecta automáticamente si la temperatura ambiente es demasiado elevada. En cuando la temperatura ambiente se enfríe, el cargador seguirá funcionando.



Batería demasiado caliente



Cargue las baterías únicamente a temperaturas entre 10 °C y 40 °C.



Proceso de carga finalizado (luz verde continua)



Carga (luz verde intermitente)



Batería defectuosa



Suministro eléctrico insuficiente

Seguridad eléctrica



El cargador lleva un doble aislamiento; por lo tanto no requiere una toma a tierra. Compruebe siempre que la tensión de la red corresponda al valor indicado en la placa de características. No intente nunca sustituir el cargador por un enchufe normal a la red.

- ◆ Si el cable eléctrico está estropeado, debe ser sustituido por el fabricante o un servicio técnico autorizado de Black & Decker con el fin de evitar accidentes.

Características

Esta herramienta incluye alguna o todas las características siguientes.

1. Conmutador de velocidad variable
2. Guía de deslizamiento de avance/retroceso
3. Portabrocas
4. Selector de modo / anillo de ajuste del par de apriete
5. Selector de dos marchas
6. Portapuntas
7. Batería

Fig. A

8. Cargador
9. Alojamiento del cargador
10. Indicador de carga

Montaje

¡Atención! Antes de proceder al montaje, extraiga siempre la batería.

Colocación y extracción de la batería (fig. B)

- ◆ Para introducir la batería (7), colóquela en línea con el alojamiento sobre la herramienta. Introduzca la batería en el alojamiento y empujela hasta que encaje en su sitio.
- ◆ Para quitar la batería, presione el botón liberador (11) al tiempo que extrae la batería de su alojamiento.

Instalación de la tapa de la batería (fig. C)

¡Atención! Instale la tapa (12) en la batería (7) para el transporte y almacenamiento.

Colocación y extracción de una broca o punta de atornillar (fig. D)

Esta herramienta lleva un portabrocas sin llave para facilitar el intercambio de puntas.

- ◆ Bloquee la herramienta colocando la guía de deslizamiento de avance/retroceso (2) en la posición central.
- ◆ Abra el portabrocas girando el casquillo (13) con una mano mientras sujeta la herramienta con la otra.
- ◆ Inserte el eje de la punta (14) en el portabrocas.
- ◆ Apriete firmemente el portabrocas girando el casquillo (13) con una mano mientras sujeta la herramienta con la otra.

Esta herramienta se suministra con una punta para atornillar doble dentro del portapuntas (6).

- ◆ Para extraer la punta del mango, levante la punta de la cavidad.

- ◆ Para colocar la punta, empujela firmemente dentro del mango.

Uso

¡Atención! Deje que la herramienta funcione a su ritmo. No lo sobrecargue.

Carga de la batería (fig. A)

¡Atención! No cargue la batería a una temperatura ambiente inferior a 10 °C o superior a 40 °C. Temperatura recomendada de carga: aprox. 24 °C.

Nota: El cargador no cargará la batería si la temperatura de los elementos es inferior a 0° C o superior a 60° C, aproximadamente. La batería debe dejarse en el cargador y éste empezará a cargarla automáticamente cuando la temperatura de los elementos suba o baje.

- ◆ Enchufe el cargador (8) y conecte la corriente de red.
- ◆ Inserte la batería (7) en el cargador. Compruebe que la batería esté totalmente insertada en el cargador (8).

El indicador de carga (10) parpadeará continuamente (lentamente). La carga es completa cuando el indicador de carga (10) se enciende de forma continua. El cargador y la batería pueden dejarse conectados indefinidamente con el LED encendido. El LED cambiará a un estado intermitente (carga) cuando el cargador termine ocasionalmente la carga de la batería. El indicador de carga (10) permanecerá encendido mientras la batería esté conectada al cargador enchufado.

- ◆ Cargue las baterías descargadas en el plazo de 1 semana. La duración de la batería disminuirá considerablemente si se almacena descargada.

Indicadores de carga

Si el cargador detecta un problema con la batería, el indicador de carga (10) parpadeará rápidamente. Haga lo siguiente:

- ◆ Vuelva a insertar la batería (7).
- ◆ Si los indicadores de carga siguen parpadeando rápidamente, utilice una batería distinta para determinar si el proceso de carga funciona correctamente.
- ◆ Si la nueva batería carga correctamente, la batería original tiene un defecto y debe llevarse a un centro de servicio para que sea reciclada.
- ◆ Si la nueva batería da la misma indicación que la batería original, lleve el cargador a un centro de servicio para que sea probado.

Nota: Puede tardarse hasta 15 minutos en determinar que la batería tiene un defecto. Si la batería está demasiado caliente o demasiado fría, el LED parpadeará de forma rápida y lenta alternativamente, una intermitencia a cada velocidad y repetición.


Selección de la dirección de rotación (fig. E)

Para taladrar y apretar tornillos, use la rotación directa (en el sentido de las agujas del reloj). Para aflojar tornillos o para extraer una broca atascada, use la rotación inversa (en sentido contrario a las agujas del reloj).


- ◆ Para seleccionar la rotación directa, empuje la guía de deslizamiento de avance/retroceso (2) hacia la izquierda.
- ◆ Para seleccionar la rotación inversa, empuje la guía de deslizamiento de avance/retroceso hacia la derecha.
- ◆ Para bloquear la herramienta, coloque la guía de deslizamiento de avance/retroceso en la posición central.

Selección del modo de funcionamiento o del par de torsión (fig. F)

Esta herramienta lleva acoplado un collarín para seleccionar el modo de funcionamiento o para ajustar el par de apriete de los tornillos. Los tornillos grandes y el material duro de las piezas a trabajar requieren un ajuste de par de apriete mayor que los tornillos pequeños y el material blando de las piezas de trabajo. El anillo dispone de una amplia gama de ajustes que se ajustan a sus necesidades.

- ◆ Para taladrar madera, metal y plásticos, coloque el anillo (4) en la posición de taladrado alineando el símbolo  con la marca (15).
- ◆ Para atornillar, coloque el anillo en el valor deseado. Si todavía no sabe cuál es el valor apropiado, proceda del modo siguiente:
 - Ponga el anillo (4) en el ajuste de par de apriete más bajo.
 - Apriete el primer tornillo.
 - Si el embrague patina y hace ruido antes de lograr el resultado deseado, aumente el valor del anillo y continúe apretando el tornillo. Repita el procedimiento hasta que alcance el ajuste correcto. Utilice dicho ajuste para los tornillos restantes.

HP148F4L/HP188F4 - Perforación en mampostería (fig. F & G)

- ◆ Para taladrar mampostería, coloque el collarín (4) en la posición de taladrado a martillo alineando el símbolo  con la marca (15).
- ◆ Deslice el selector de dos marchas (5) hacia la parte frontal de la herramienta (2ª marcha).

Selector de dos marchas (fig. G)

- ◆ Para taladrar acero y para trabajos de atornillado, deslice el selector de dos marchas (5) hacia la parte posterior de la herramienta (1ª marcha).
- ◆ Para taladrar materiales que no sean de acero, deslice el selector de dos marchas (5) hacia la parte delantera de la herramienta (2ª marcha).

Taladrado/atornillado

- ◆ Seleccione la rotación directa o inversa usando la guía de deslizamiento de avance/retroceso (2).
- ◆ Para encender la herramienta, presione el interruptor (1). La velocidad de la herramienta dependerá de hasta dónde pulse el interruptor.
- ◆ Para apagar la herramienta, suelte el interruptor.

Consejos para un uso óptimo

Perforación

- ◆ Aplique siempre una suave presión en línea recta con la broca.
- ◆ Justo antes de que la punta de la broca atraviese la pieza de trabajo, disminuya la presión sobre la herramienta.
- ◆ Use un bloque de madera como soporte de piezas de trabajo que puedan astillarse.
- ◆ Use brocas de pala para taladrar agujeros de gran diámetro en madera.
- ◆ Use brocas de acero rápido (HSS) para taladrar metal.
- ◆ Use brocas de mampostería para taladrar mampostería blanda.
- ◆ Use un lubricante para taladrar metales distintos del hierro fundido y el latón.
- ◆ Haga una marca con un punzón de perforar en el centro del orificio que desea taladrar para mayor precisión.

Atornillado

- ◆ Use siempre el tipo y el tamaño adecuado de punta.
- ◆ Si le resulta difícil apretar los tornillos, intente aplicar una pequeña cantidad de jabón o líquido jabonoso como lubricante.
- ◆ Sujete siempre la herramienta y la punta en línea recta con el tornillo.

Mantenimiento

Su herramienta Black & Decker está diseñada para que funcione durante un largo período de tiempo con un mantenimiento mínimo. El funcionamiento satisfactorio continuado depende de un cuidado apropiado y una limpieza periódica de la herramienta.

Su cargador no requiere ningún mantenimiento aparte de una limpieza periódica.

¡Atención! Antes de efectuar cualquier mantenimiento en la herramienta, retire la batería de la herramienta. Desenchufe el cargador antes de limpiarlo.

- ◆ Limpie periódicamente las ranuras de ventilación de la herramienta y del cargador con un cepillo suave o un paño seco.

- ◆ Limpie periódicamente la carcasa del motor con un paño húmedo. No utilice ninguna sustancia limpiadora abrasiva o que contenga disolventes.
- ◆ Abra periódicamente el portabrocas y golpéelo suavemente para extraer el polvo del interior.

- ◆ Utilice la batería hasta que se agote por completo y luego retírela de la herramienta.
- ◆ Las baterías NiCd, NiMH y Li-Ion son reciclables. Llévelas a cualquier servicio técnico autorizado o a un centro de reciclado.

Protección del medio ambiente



Separación de desechos. Este producto no debe desecharse con la basura doméstica normal.

Si llega el momento de reemplazar su producto Black & Decker o éste ha dejado de tener utilidad para usted, no lo deseche con la basura doméstica normal. Asegúrese de que este producto se deseche por separado.



La separación de desechos de productos usados y embalajes permite que los materiales puedan reciclarse y reutilizarse. La reutilización de materiales reciclados ayuda a evitar la contaminación medioambiental y reduce la demanda de materias primas.

La normativa local puede prever la separación de desechos de productos eléctricos de uso doméstico en centros municipales de recogida de desechos o a través del distribuidor cuando adquiere un nuevo producto.

Black & Decker proporciona facilidades para la recogida y el reciclado de los productos Black & Decker que hayan llegado al final de su vida útil. Para hacer uso de este servicio, devuelva su producto a cualquier servicio técnico autorizado, que lo recogerá en nuestro nombre.

Pueden consultar la dirección de su servicio técnico más cercano poniéndose en contacto con la oficina local de Black & Decker en la dirección que se indica en este manual. Como alternativa, puede consultar en Internet la lista de servicios técnicos autorizados e información completa de nuestros servicios de posventa y contactos en la siguiente dirección: www.2helpU.com

Baterías



Las baterías Black & Decker pueden recargarse muchas veces. Cuando se agoten, deséchelas respetando las normas de protección del entorno:

Características técnicas

		HP146F4L	HP148F4L
Voltaje	V_{DC}	14,4	14,4
Velocidad sin carga	min^{-1}	0-350/0-1.200	0-350/0-1.200
Par de apriete máximo	Nm	28	29
Capacidad del portabrocas	mm	13	13
Capacidad máxima de perforación			
acero/madera/mampostería	mm	13/19	13/19/13
Cat. no. batería		A1114L	A1114L
Peso (sin batería)	kg	1,33	1,38

		HP186F4L	HP188F4L
Voltaje	V_{DC}	18	18
Velocidad sin carga	min^{-1}	0-350/0-1.200	0-350/0-1.200
Par de apriete máximo	Nm	33	34
Capacidad del portabrocas	mm	13	13
Capacidad máxima de perforación			
acero/madera/mampostería	mm	13/25	13/25/13
Cat. no. batería		A1118L	A1118L
Peso (sin batería)	kg	1,33	1,38

Batería		A1114L	A1118L
Voltaje	V_{DC}	14,4	18
Capacidad	Ah	1,1	1,1
Peso	kg	0,37	0,44

Cargador

Tensión de la red	V_{AC}	230
Tiempo aproximado de carga	h	1
Peso	kg	0,55

Declaración de conformidad CE

HP146F4L H1/HP148F4L H1/HP186F4L H1/HP188F4L H1
Black & Decker declara que estos productos cumplen las
normas siguientes:
98/37/CE, EN 60745

Nivel de la presión acústica según EN 60745:

Presión acústica (L_{pA}) 87,7 dB(A), incertidumbre (K) 3 dB(A)

Presión acústica (L_{WA}) 98,7 dB(A), incertidumbre (K) 3 dB(A)

Valores totales de vibración (suma de vector triaxial) según
EN 60745:

Perforación con percusión en hormigón ($a_{h, ID}$) 17,7 m/s²,
incertidumbre (K) 1,5 m/s²

Perforación en metal ($a_{h, D}$) 1,32 m/s², incertidumbre (K) 1,5 m/s²

Atomillado sin percusión ($a_{h, S}$) 0,65 m/s², incertidumbre (K) 1,5 m/s²

El abajo firmante es responsable de la compilación del archivo
técnico y hace esta declaración en nombre de Black & Decker.



Kevin Hewitt

Director de Ingeniería del Consumidor
Spennymoor, County Durham DL16 6JG,
Reino Unido

28-5-2009

Garantía

Black & Decker confía plenamente en la calidad de sus
productos y ofrece una garantía extraordinaria. Esta
declaración de garantía es una añadida, y en ningún caso un
perjuicio para sus derechos estatutarios. La garantía es válida
dentro de los territorios de los Estados Miembros de la Unión
Europea y de los de la Zona Europea de Libre Comercio.

Si un producto Black & Decker resultará defectuoso debido a
materiales o mano de obra defectuosos o a la falta de
conformidad, Black & Decker garantiza, dentro de los 24
meses de la fecha de compra, la sustitución de las piezas
defectuosas, la reparación de los productos sujetos a un
desgaste y rotura razonables o la sustitución de tales
productos para garantizar al cliente el mínimo de
inconvenientes, a menos que:

- ◆ El producto haya sido utilizado con propósitos
comerciales, profesionales o de alquiler;
- ◆ El producto haya sido sometido a un uso inadecuado o
negligente;
- ◆ El producto haya sufrido daños causados por objetos o
sustancias extrañas o accidentes;
- ◆ Se hayan realizado reparaciones por parte de personas
que no sean los servicios de reparación autorizados o
personal de servicios de Black & Decker.

Para reclamar en garantía, será necesario que presente la
prueba de compra al vendedor o al servicio técnico de
reparaciones autorizado. Pueden consultar la dirección de su
servicio técnico más cercano poniéndose en contacto con la
oficina local de Black & Decker en la dirección que se indica
en este manual. Como alternativa, se puede consultar en
Internet, en la dirección siguiente, la lista de servicios técnicos
autorizados e información completa de nuestros servicios de
postventa y contactos:

www.2helpU.com

Visite nuestro sitio web **www.blackanddecker.eu** para
registrar su nuevo producto Black & Decker y mantenerse al
día sobre nuestros productos y ofertas especiales. Encontrará
información adicional sobre la marca Black & Decker y
nuestra gama de productos en **www.blackanddecker.eu**

Utilização

O berbequim/aparafusador sem fio da Black & Decker foi projectado para aparafusar e perfurar madeira, metal, plástico e alvenaria. Esta ferramenta destina-se apenas ao doméstico.

Instruções de segurança

Avisos de segurança gerais para ferramentas eléctricas



Advertência! Leia todos os avisos de segurança e instruções. O não cumprimento dos avisos e instruções a seguir pode resultar em choque eléctrico, incêndio e/ou graves lesões.

Guarde todos os avisos e instruções para futura referência. O termo "ferramenta eléctrica", utilizado nas advertências que se seguem, refere-se a ferramentas eléctricas com ligação à corrente eléctrica (com fios) ou operadas a pilha (sem fios).

1. Segurança na área de trabalho

- Mantenha a sua área de trabalho limpa e bem iluminada.** Desordem ou áreas de trabalho com fraca iluminação podem causar acidentes.
- Não utilize ferramentas eléctricas em áreas com risco de explosão, nas quais se encontrem líquidos, gases ou pós inflamáveis.** As ferramentas eléctricas produzem faíscas que podem provocar a ignição de pó e vapores.
- Mantenha crianças e outras pessoas afastadas durante a utilização de ferramentas eléctricas.** As distrações podem dar origem a que perca o controlo da ferramenta.

2. Segurança eléctrica

- A ficha da ferramenta eléctrica deve caber na tomada. A ficha não deve ser modificada de modo algum. Não utilize quaisquer fichas de adaptação com ferramentas eléctricas ligadas à terra.** Fichas inalteradas e tomadas adequadas reduzem o risco de choques eléctricos.
- Evite que o corpo entre em contacto com superfícies ligadas à terra, como por exemplo tubos, radiadores, fogões e frigoríficos.** Há um risco elevado de choques eléctricos, caso o corpo seja ligado à terra.
- As ferramentas eléctricas não devem ser expostas à chuva nem a humidade.** A penetração de água numa ferramenta eléctrica aumenta o risco de choques eléctricos.

- Manuseie o cabo com cuidado. O cabo da ferramenta não deve ser utilizado para o transporte, para puxar a ferramenta, nem para retirar a ficha da tomada. Mantenha o cabo afastado de calor, óleo, cantos afiados ou peças em movimento.** Cabos danificados ou torcidos aumentam o risco de choques eléctricos.
- Ao trabalhar com a ferramenta eléctrica ao ar livre, use um cabo de extensão apropriado para utilização no exterior.** O uso de um cabo apropriado para utilização no exterior reduz o risco de choques eléctricos.
- Quando a utilização de uma ferramenta eléctrica num local húmido é inevitável, utilize uma fonte de alimentação protegida com um dispositivo de corrente residual (RCD).** A utilização de um RCD reduz o risco de choques eléctricos.

3. Segurança pessoal

- Mantenha-se atento, observe o que está a fazer e seja prudente durante a utilização de uma ferramenta eléctrica. Não use a ferramenta eléctrica se estiver cansado ou sob a influência de drogas, álcool ou medicamentos.** Um momento de falta de atenção durante a utilização de ferramentas eléctricas pode causar graves lesões.
- Use equipamento de protecção pessoal. Utilize sempre óculos de protecção.** A utilização de equipamento de protecção pessoal, como por exemplo, máscara de protecção contra pó, sapatos de segurança anti-derrapantes, capacete de segurança ou protecção auricular, de acordo com o tipo e aplicação da ferramenta eléctrica, reduz o risco de lesões.
- Evite o accionamento involuntário. Certifique-se de que o interruptor está na posição desligada antes de ligar a ferramenta à corrente eléctrica ou a uma bateria, antes de elevar ou transportar a mesma.** O transporte de ferramentas eléctricas com o dedo no interruptor ou a ligação das mesmas à corrente eléctrica com o interruptor ligado provoca acidentes.
- Retire eventuais chaves de ajuste ou chaves de fenda, antes de ligar a ferramenta eléctrica.** Uma chave de fenda ou chave de ajuste, que se encontre numa peça móvel da ferramenta, pode dar origem a lesões.
- Não se incline. Mantenha-se sempre bem posicionado e em equilíbrio.** Desta forma, poderá ser mais fácil controlar a ferramenta em situações inesperadas.
- Utilize vestuário adequado. Não utilize roupas largas nem jóias. Mantenha o cabelo, roupa e luvas afastados de peças em movimento.** Roupas largas, jóias ou cabelos longos podem ser ficar presos nas peças em movimento.
- Se for prevista a montagem de dispositivos de extracção e recolha de pó, assegure-se de que estão ligados e que são utilizados de forma correcta.** A utilização destes dispositivos reduz os riscos provocados por pó.

4. **Utilização e manutenção da ferramenta eléctrica**
 - a. **Não sobrecarregue a ferramenta eléctrica. Utilize a ferramenta eléctrica correcta para o trabalho que irá realizar.** A ferramenta correcta realizará o trabalho de forma melhor e mais segura dentro da potência indicada.
 - b. **Não utilize a ferramenta eléctrica se o interruptor não puder ser ligado nem desligado.** Qualquer ferramenta eléctrica que não possa ser controlada através do interruptor é perigosa e deve ser reparada.
 - c. **Desligue a ficha da tomada e/ou a bateria da ferramenta eléctrica antes de efectuar quaisquer ajustes, substituir acessórios ou armazenar a ferramenta eléctrica.** Esta medida de segurança evita que a ferramenta eléctrica seja ligada acidentalmente.
 - d. **Mantenha as ferramentas eléctricas que não estiverem a ser utilizadas fora do alcance de crianças. Não permita que a ferramenta seja utilizada por pessoas não familiarizadas com a mesma ou que não tenham lido estas instruções.** As ferramentas eléctricas são perigosas se utilizadas por pessoas não qualificadas.
 - e. **Efectue a manutenção das ferramentas eléctricas. Verifique se as peças móveis funcionam perfeitamente e não emperram, bem como se há peças quebradas ou danificadas que possam influenciar o funcionamento da ferramenta. Em caso de danos, solicite a reparação da ferramenta eléctrica antes da sua utilização.** Muitos acidentes têm como causa uma manutenção insuficiente das ferramentas eléctricas.
 - f. **Mantenha as ferramentas de corte sempre afiadas e limpas.** As ferramentas de corte, sujeitas a uma manutenção adequada e com extremidades de corte afiadas, emperram com menos frequência e podem ser controladas com maior facilidade.
 - g. **Utilize a ferramenta eléctrica, os acessórios e as brocas da ferramenta etc., de acordo com estas instruções. Considere também as condições de trabalho e o trabalho a ser efectuado.** A utilização da ferramenta eléctrica para outros fins que não os previstos pode resultar em situações perigosas.
5. **Utilização e manutenção da bateria**
 - a. **Recarregue apenas com o carregador especificado pelo fabricante.** Um carregador que seja adequado a um tipo de bateria pode causar risco de incêndio quando utilizado nouro tipo de bateria.
 - b. **Utilize as ferramentas eléctricas apenas com as baterias especificamente designadas.** A utilização de outro tipo de bateria pode causar risco de lesões ou incêndio.
 - c. **Quando a bateria não está a ser utilizada, mantenha-a afastada de quaisquer outros objectos metálicos, como clips de papel, moedas, chaves, pregos, parafusos ou outros objectos metálicos pequenos que possam efectuar a ligação de um terminal para outro.**

O contacto de ambos os terminais da bateria pode causar queimaduras ou incêndio.

- d. **Em condições abusivas, o líquido pode ser ejectado da pila; evite o contacto. Caso isso aconteça, passe por água. Caso o líquido entre em contacto com os olhos, procure ajuda médica.** O líquido ejectado da pilha pode causar irritação ou queimaduras.

6. **Reparação**

- a. **A sua ferramenta eléctrica só deve ser reparada por pessoal qualificado e só devem ser colocadas peças sobressalentes originais.** Desta forma, é assegurada a segurança da ferramenta eléctrica.

Avisos de segurança adicionais para ferramentas eléctricas



Advertência! Instruções adicionais de segurança para berbequins e berbequins de percussão

- ◆ **Utilize protectores auriculares com os berbequins de percussão.** A exposição ao ruído poderá provocar perda de audição.
- ◆ **Utilize os punhos auxiliares fornecidos com a ferramenta.** A perda de controlo da mesma pode provocar ferimentos pessoais.
- ◆ **Segure sempre a ferramenta pelas superfícies de pega isoladas ao efectuar trabalhos, durante os quais o acessório de corte possa entrar em contacto com cabos eléctricos escondidos ou com o cabo da ferramenta.** O contacto do acessório de corte com um cabo com tensão coloca as partes metálicas da ferramenta eléctrica sob tensão, resultando em choque eléctrico.
- ◆ **Utilize grampos ou outra forma prática de fixar e apoiar a peça de trabalho numa plataforma estável.** Segurar a peça com a mão ou contra o corpo deixa-a instável e poderá resultar em perda de controlo.
- ◆ **Antes de perfurar paredes, pisos ou tectos, verifique a localização de fios e canos.**
- ◆ **Evite tocar na ponta da broca imediatamente após perfurar, pois esta pode estar quente.**
- ◆ **Esta ferramenta não se destina a ser utilizada por pessoas (incluindo crianças) com reduzidas capacidades físicas, sensoriais ou mentais ou falta de experiência e conhecimentos, a menos que tenham recebido instruções ou sejam supervisionadas relativamente à utilização do aparelho por uma pessoa responsável pela sua segurança. As crianças deverão ser vigiadas para que não mexam no aparelho.**

- ◆ Neste manual indicam-se as aplicações do acessório. O uso de qualquer acessório ou da própria ferramenta para realizar quaisquer operações além das recomendadas neste manual de instruções pode dar origem a ferimentos e/ou danos em propriedade.

Vibração

Os valores de emissão de vibrações declarados, indicados nos dados técnicos e na declaração de conformidade, foram medidos de acordo com um método de teste padrão providenciado por EN 60745 e podem ser utilizados para efectuar a comparação entre ferramentas. O valor de emissão de vibrações declarado pode também ser utilizado numa avaliação preliminar da exposição.

Advertência! O valor de emissão de vibrações durante a utilização da ferramenta eléctrica pode divergir do valor declarado, dependendo do modo como a ferramenta é utilizada. O nível de vibrações pode aumentar relativamente ao nível indicado.

Durante a avaliação da exposição a fim de determinar as medidas de segurança requeridas pela directiva 2002/44/CE para a protecção de pessoas que utilizam regularmente ferramentas eléctricas nas respectivas profissões, o cálculo da exposição a vibrações deve considerar as condições reais de utilização e a forma como a ferramenta é utilizada, incluindo a consideração de todas as partes do ciclo de utilização como, por exemplo, as vezes que a ferramenta é desligada e o tempo em que se encontra a funcionar sem carga para além do tempo de accionamento.

Etiquetas da ferramenta

Aparecem os seguintes pictogramas na ferramenta:



Advertência! Para reduzir o risco de ferimentos, o utilizador deve ler o manual de instruções.

Instruções adicionais de segurança para baterias e carregadores

Baterias

- ◆ Nunca tente abrir a bateria seja qual for a razão.
- ◆ Não deixe que a bateria entre em contacto com a água.
- ◆ Não armazene em locais onde a temperatura possa exceder 40 °C.
- ◆ Carregue somente à temperatura ambiente, entre 10 °C e 40 °C.
- ◆ Carregue somente utilizando o carregador fornecido com a ferramenta.
- ◆ Siga as instruções fornecidas na secção "Protecção do meio ambiente" quando desejar desfazer-se das baterias.



Não tente carregar baterias danificadas.

Carregadores

- ◆ Utilize o seu carregador Black & Decker apenas para carregar as baterias do tipo fornecido com a sua ferramenta. Outras baterias poderiam explodir, causando ferimentos pessoais e estragos.
- ◆ Nunca tente carregar baterias não recarregáveis.
- ◆ Substitua os cabos defeituosos imediatamente.
- ◆ Não deixe que o carregador entre em contacto com a água.
- ◆ Não abra o carregador.
- ◆ Não submeta o carregador a testes.



O carregador destina-se apenas a ser utilizado no interior.



Leia o manual de instruções antes de utilizar.



O carregador desliga-se automaticamente caso a temperatura ambiente fique demasiado elevada. Logo que a temperatura ambiente baixe, o carregador volta a funcionar.



Bateria demasiado quente



Carregue somente à temperatura ambiente, entre 10 °C e 40 °C.



Processo de carregamento concluído (luz verde constante)



Carregamento (luz verde intermitente)



Bateria danificada



Fonte de alimentação insuficiente

Segurança eléctrica



O seu carregador está duplamente isolado, pelo que não é necessário fio de terra. Verifique sempre se a tensão eléctrica corresponde à indicada na placa de especificações. Nunca tente substituir o carregador por uma tomada normal.

- ◆ Se o cabo de alimentação estiver danificado, deverá ser substituído pelo fabricante ou por um Centro de Assistência autorizado pela Black & Decker, de modo a evitar perigos.

Características

Esta ferramenta inclui algumas ou todas as seguintes características.

1. Interruptor de velocidade variável
2. Selector de sentido de rotação
3. Bucha
4. Selector de modo / anel de ajuste do binário de aperto
5. Selector de duas velocidades
6. Suporte de pontas
7. Bateria

Fig. A

8. Carregador
9. Receptáculo do carregador
10. Indicador de carga

Montagem

Advertência! Antes da montagem, retire a bateria.

Colocação e remoção da bateria (fig. B)

- ◆ Para colocar a bateria (7), alinhe-a com o respectivo receptáculo na ferramenta. Empurre a bateria em direcção ao respectivo receptáculo até encaixar.
- ◆ Para retirá-la, prima o botão de libertação (11) e puxe a bateria para fora do respectivo receptáculo.

Instalação da cobertura da bateria (fig. C)

Advertência! Coloque a cobertura (12) na bateria (7) para transporte e armazenamento.

Colocação e remoção de uma broca ou ponta de aparafusar (fig. D)

A ferramenta está equipada com uma bucha sem chave para permitir a troca fácil das brocas.

- ◆ Trave a ferramenta colocando o selector de reversibilidade (2) na posição central.
- ◆ Abra a bucha, girando a manga (13) com uma mão enquanto segura a ferramenta com a outra.
- ◆ Introduza a broca (14) na bucha.
- ◆ Aperte firmemente a bucha, girando a manga (13) com uma mão enquanto segura a ferramenta com a outra.

Esta ferramenta é fornecida com uma ponta de aparafusar dupla no suporte de pontas (6).

- ◆ Para remover a ponta de aparafusar do compartimento de broca, puxe-a.
- ◆ Para guardar a ponta de aparafusar, empurre-a firmemente no compartimento.

Utilização

Advertência! Deixe que a ferramenta funcione à vontade. Não o sobrecarregue.

Carregamento da bateria (fig. A)

Advertência! Não carregue a temperaturas ambientes inferiores a 10 °C ou superiores a 40 °C. Temperatura de carga recomendada: aprox. 24 °C.

Nota: O carregador não carregará a bateria se a temperatura da célula for inferior a, aproximadamente 0 °C ou superior a 60 °C. A bateria deve permanecer no carregador e o carregador irá começar a carregar automaticamente quando a temperatura da célula subir ou descer.

- ◆ Ligue o carregador (8) à corrente eléctrica e ligue-o no interruptor.
- ◆ Coloque a bateria (7) no carregador. Certifique-se de que a bateria está completamente encaixada no carregador (8).

O indicador de carregamento (10) pisca continuamente (lentamente). O carregamento está concluído quando o indicador de carregamento (10) se acender continuamente. É possível deixar a bateria ligada ao carregador indefinidamente com o LED aceso. O LED mudará para o estado intermitente (em carga) à medida que o carregador carrega ocasionalmente a bateria. O indicador de carregamento (10) acende-se logo que a bateria é ligada ao carregador ligado à corrente eléctrica.

- ◆ Carregue as baterias descarregadas no prazo de 1 semana. A vida útil da bateria irá diminuir bastante se for guardada descarregada.

Indicadores de carga

Se o carregador detectar um problema na bateria, o indicador de carregamento (10) irá piscar rapidamente. Proceda da seguinte forma:

- ◆ Volte a colocar a bateria (7).
- ◆ Se os indicadores de carregamento continuarem a piscar rapidamente, utilize uma bateria diferente para verificar se o processo de carregamento está a funcionar correctamente.
- ◆ Se a bateria substituída carregar correctamente, a bateria original está danificada e deve ser devolvida a um centro de reparação para que seja recarregada.
- ◆ Se a nova bateria apresentar a mesma indicação que a bateria original, leve o carregador a um centro de reparação autorizado para que seja testado.

Nota: Poderá demorar até 15 minutos para determinar se a bateria está danificada. Se a bateria estiver demasiado quente ou fria, o LED irá, alternadamente, piscar rápida e lentamente; uma intermitência para cada velocidade, voltando a repetir.

Seleção da direção de rotação (fig. E)

Para perfurar e apertar parafusos, utilize a rotação "avançar" (para a direita). Para soltar parafusos ou remover uma broca presa, utilize a rotação "inverter" (para a esquerda).

- ◆ Para seleccionar a rotação de avanço, empurre o selector de reversibilidade (2) para a esquerda.
- ◆ Para seleccionar a rotação inversa, empurre o selector para a direita.
- ◆ Para travar a ferramenta, coloque o selector na posição central.

Seleção do modo de operação ou par de aperto (fig. F)

Esta ferramenta está equipada com um anel de ajuste do par de aperto para apertar parafusos. Parafusos grandes e materiais duros requerem um maior aperto que parafusos pequenos e materiais mais moles. O anel dispõe de uma ampla variedade de ajustes com o fim de que a ferramenta se adapte a cada aplicação.

- ◆ Para perfurar madeira, metal e plástico, ajuste o anel (4) à posição de perfuração alinhando o símbolo **A** com a marca (15).
- ◆ Para aparafusar, ajuste o anel à posição desejada. Se não souber qual é a posição apropriada, proceda da seguinte maneira:
 - Ajuste o anel (4) ao menor par de aperto.
 - Aperte o primeiro parafuso.
 - Se a bucha breca antes que o resultado seja conseguido, aumente o ajuste e continue a apertar o parafuso. Repita esta operação até atingir o ajuste correcto. Utilize este ajuste para o resto dos parafusos.

HP148F4L/HP188F4 - Perfuração em alvenaria (fig. F & G)

- ◆ Para perfurar em alvenaria, ajuste o anel (4) à posição de perfuração de impacto alinhando o símbolo **T** com a marca (15).
- ◆ Empurre o selector de motor duplo (5) em direcção à parte frontal da ferramenta (segundo motor).

Selector de duas velocidades (fig. G)

- ◆ Para perfurar em aço e aparafusar, empurre o selector de motor duplo (5) em direcção à parte traseira da ferramenta (primeiro motor).
- ◆ Para perfurar em aço e aparafusar, empurre o selector de motor duplo (5) em direcção à parte frontal da ferramenta (segundo motor).

Perfurar/aparafusar

- ◆ Selecciona rotação de avanço ou recuo utilizando o selector de sentido de rotação (2).
- ◆ Para ligar a ferramenta, prima o interruptor (1). A velocidade da ferramenta depende de quanto se prime o interruptor.

- ◆ Para desligar a ferramenta, solte o selector.

Sugestões para uma melhor utilização

Perfurar

- ◆ Aplique sempre uma leve pressão em linha recta com a broca.
- ◆ Um pouco antes de a broca atravessar a peça de trabalho, diminua a pressão sobre a ferramenta.
- ◆ Utilize uma peça de madeira como suporte para peças de trabalho que possam lascar.
- ◆ Utilize brocas puas quando perfurar orifícios de grande diâmetro em madeira.
- ◆ Utilize brocas de alta dureza quando perfurar em metal.
- ◆ Utilize brocas de pedra quando perfurar em alvenaria.
- ◆ Utilize um lubrificante quando perfurar em metais que não sejam ferro fundido e latão.
- ◆ Para um orifício mais preciso, marque o centro do orifício a executar utilizando um furador.

Aparafusar

- ◆ Utilize sempre o tipo e tamanho correcto de ponta de aparafusar.
- ◆ Se os parafusos forem difíceis de apertar, tente aplicar uma pequena quantidade de detergente ou sabão como lubrificante.
- ◆ Segure sempre a ferramenta e a ponta de aparafusar em linha recta com o parafuso.

Manutenção

Esta ferramenta Black & Decker foi desenvolvida para funcionar por um longo período, com um mínimo de manutenção. O funcionamento contínuo e satisfatório depende da limpeza regular e cuidado adequado da ferramenta.

O seu carregador não requer qualquer manutenção além de sua limpeza regular.

Advertência! Antes de executar qualquer manutenção na ferramenta, remova a bateria da ferramenta. Desligue o carregador de bateria antes de limpar o aparelho.

- ◆ Limpe regularmente as fendas de ventilação na ferramenta e no carregador utilizando uma escova macia ou pano seco.
- ◆ Limpe regularmente o compartimento do motor utilizando um pano húmido. Não utilize nenhum limpador abrasivo ou de base solvente.
- ◆ Abra regularmente o mandril e bata nele para remover qualquer poeira do interior.

Protecção do meio ambiente



Recolha em separado. Não deve deitar este produto fora juntamente com o lixo doméstico normal.

Caso chegue o momento em que um dos seus produtos Black & Decker precise de ser substituído ou decida desfazer-se do mesmo, não o deite fora juntamente com o lixo doméstico. Torne este produto disponível para uma recolha em separado.



A recolha em separado de produtos e embalagens utilizados permite que os materiais sejam reciclados e reutilizados. A reutilização de materiais reciclados ajuda a evitar a poluição ambiental e a reduzir a procura de matérias-primas.

Os regulamentos locais poderão providenciar a recolha em separado de produtos eléctricos junto das casas, em lixeiras municipais ou junto dos fornecedores ao adquirir um novo produto.

A Black & Decker oferece um serviço de recolha e reciclagem de produtos Black & Decker que tenha atingido o fim das suas vidas úteis. Para tirar proveito deste serviço, devolva seu produto a qualquer agente de reparação autorizado, que se encarregará de recolher o equipamento em nosso nome.

Para verificar a localização do agente de reparação mais próximo de si, contacte o escritório local da Black & Decker no endereço indicado neste manual. Se preferir, consulte a lista de agentes autorizados da Black & Decker e os dados completos dos nossos serviços de atendimento pós-venda na Internet no endereço: www.2helpU.com

Baterias



As baterias Black & Decker podem ser recarregadas inúmeras vezes. Quando atingirem o fim das suas vidas úteis, deite-as fora com o devido cuidado com o nosso meio ambiente.

- ◆ Descarregue completamente a bateria e remova-a do aparelho.
- ◆ As baterias NiCd, NiMH e Li-Ion são recicláveis. Entregue-as em qualquer agente de reparação autorizado ou numa estação de reciclagem local.

Dados técnicos

		HP146F4L	HP148F4L
Voltagem	V_{DC}	14,4	14,4
Velocidade sem carga	min^{-1}	0-350/0-1.200	0-350/0-1.200
Binário máximo	Nm	28	29
Capacidade da bucha	mm	13	13
Capacidade máx. de perfuração			
aço/madeira/alvenaria	mm	13/19	13/19/13
Cat. no. bateria		A1114L	A1114L
Peso (sem a bateria)	kg	1,33	1,38

		HP186F4L	HP188F4L
Voltagem	V_{DC}	18	18
Velocidade sem carga	min^{-1}	0-350/0-1.200	0-350/0-1.200
Binário máximo	Nm	33	34
Capacidade da bucha	mm	13	13
Capacidade máx. de perfuração			
aço/madeira/alvenaria	mm	13/25	13/25/13
Cat. no. bateria		A1118L	A1118L
Peso (sem a bateria)	kg	1,33	1,38

Bateria		A1114L	A1118L
Voltagem	V_{DC}	14,4	18
Capacidade	Ah	1,1	1,1
Peso	kg	0,37	0,44

Carregador

Voltagem	V_{AC}	230
Tempo aproximado de carregamento	h	1
Peso	kg	0,55

Declaração de conformidade CE

HP146F4L H1/HP148F4L H1/HP186F4L H1/HP188F4L H1
A Black & Decker declara que estes produtos estão em conformidade com a:
98/37/CE, EN 60745

Nível de pressão de ruído segundo a EN 60745:
Pressão acústica (L_{pA}) 87,7 dB(A), imprecisão (K) 3 dB(A)
Potência acústica (L_{WA}) 98,7 dB(A), imprecisão (K) 3 dB(A)

Valores totais de vibração (soma vectorial triaxial) segundo a EN 60745:

Perfuração de percussão em betão ($a_{h, ID}$) 17,7 m/s²,
imprecisão (K) 1,5 m/s²
Perfuração em metal ($a_{h, D}$) 1,32 m/s², imprecisão (K) 1,5 m/s²
Operação de aparafusar e desaparafusar sem impacto ($a_{h, S}$)
0,65 m/s², imprecisão (K) 1,5 m/s²

O signatário é responsável pela compilação do ficheiro técnico e apresenta esta declaração em nome da Black & Decker.



Kevin Hewitt
Director de Engenharia do Consumo
Spennymoor, County Durham DL16 6JG,
Reino Unido
28-5-2009

Garantia

A Black & Decker confia na qualidade de seus produtos e oferece um programa de garantia excelente. Esta declaração de garantia soma-se aos seus direitos legais e não os prejudica em nenhum aspecto. A garantia será válida nos territórios dos Estados Membros da União Europeia e na Área de Livre Comércio da Europa.

Caso algum produto da Black & Decker apresente avarias devido a defeitos de material, mão-de-obra ou ausência de conformidade no prazo de 24 meses a partir da data de compra, a Black & Decker garantirá a substituição das peças defeituosas, a reparação dos produtos que foram submetidos a uso adequado e remoção ou substituição dos mesmos para assegurar o mínimo de inconvenientes ao cliente a menos que:

- ◆ O produto tenha sido utilizado para fins comerciais, profissionais ou aluguer;
- ◆ O produto tenha sido submetido a uso incorrecto ou descuido;
- ◆ O produto tenha sofrido danos causados por objectos estranhos, substâncias ou acidentes;
- ◆ Tenha um histórico de reparações efectuadas por terceiros que não sejam os agentes autorizados ou profissionais de manutenção da Black & Decker.

Para activar a garantia, será necessário enviar a prova de compra ao revendedor ou agente de reparação autorizado. Para verificar a localização do agente de reparação mais próximo de si contacte o escritório local da Black & Decker no endereço indicado neste manual. Se preferir, consulte a lista de agentes autorizados da Black & Decker e os dados completos de nossos serviços de atendimento pós-venda na Internet no endereço: www.2helpU.com

Visite o nosso website www.blackanddecker.eu para registar o seu novo produto Black & Decker e para se manter actualizado sobre novos produtos e ofertas especiais. Estão disponíveis mais informações sobre a Black & Decker e sobre a nossa gama de produtos em www.blackanddecker.eu

Användningsområde

Din borrhandskrivare från Black & Decker har tagits fram för skruvdragningsstillämpningar och för borring i trä, metall, plast och mjukare byggnadssten. Verktyget är endast avsett som konsumentverktyg.

Säkerhetsregler

Allmänna säkerhetsvarningar för motordrivna verktyg



Varning! Läs alla säkerhetsvarningar och alla anvisningar. Fel som uppstår till följd av att varningarna och anvisningarna nedan inte följts kan orsaka elchock, brand och/eller allvarliga kroppsskador.

Spara alla varningar och anvisningar för framtida referens. Nedan använt begrepp lverktug hänför sig till nätdrivna elverktug (med nätsladd) och till batteridrivna elverktug (sladdlösa).

1. **Säkerhet för arbetsområde**
 - a. **Håll arbetsplatsen ren och välbelyst.** Oordning på arbetsplatsen och dåligt belyst arbetsområde kan leda till olyckor.
 - b. **Använd inte elverktuget i explosionsfarlig omgivning med brännbara vätskor, gaser eller damm.** Elverktuget alstrar gnistor som kan antända dammet eller gaserna.
 - c. **Håll under arbetet med elverktuget barn och obehöriga personer på betryggande avstånd.** Om du störs av obehöriga personer kan du förlora kontrollen över elverktuget.
 2. **Elsäkerhet**
 - a. **Elverktugets stickkontakt måste passa i vägguttaget. Ändra aldrig stickkontakten på något sätt. Använd inte adapterkontakter tillsammans med skyddsjordade elverktug.** Oförändrade stickkontakter och passande vägguttag minskar risken för elchock.
 - b. **Undvik kroppskontakt med jordade ytor som t.ex. rör, värmeelement, spisar och kylskåp.** Det finns en större risk för elchock om din kropp är jordad.
 - c. **Skydda elverktuget mot regn och väta.** Tränger vatten in i ett elverktug ökar risken för elchock.
 - d. **Misshandla inte nätsladden. Använd inte sladden för att bära eller hänga upp elverktuget och inte heller för att dra stickproppen ur vägguttaget. Håll nätsladden på avstånd från värme, olja, skarpa kanter och rörliga maskindelar.** Skadade eller tilltrasslade sladdar ökar risken för elchock.
 - e. **Använd endast förlängningssladdar som är godkända för utomhusbruk när du arbetar med ett elverktug utomhus.** Om en förlängningssladd avsedd för utomhusbruk används minskar risken för elchock.
 - f. **Om man måste använda ett elverktug på en fuktig plats bör man använda ett uttag som skyddats med en restströmsanordning (RCD).** Vid användning av en restströmsanordning (RCD) minskar risken för elektriska stötar.
3. **Personlig säkerhet**
 - a. **Var uppmärksam, se på vad du gör och använd elverktuget med förnuft. Använd inte elverktuget när du är trött eller om du är påverkad av droger, alkohol eller mediciner.** Under användning av elverktug kan ett ögonblicks bristande uppmärksamhet leda till allvarliga kroppsskador.
 - b. **Använd personlig skyddsutrustning. Bär alltid skyddsglasögon.** Den personliga skyddsutrustningen, som t.ex. dammfiltermask, halkfria skyddsskor, hjälm eller hörselskydd, som bör användas under de gällande omständigheterna minskar risken för kroppsskada.
 - c. **Undvik att verktyget startas av misstag. Kontrollera att strömställaren står i läge från innan du ansluter till vägguttaget och/eller batteripaketet, lyfter upp eller bär verktyget.** Det kan vara mycket farligt att bära ett elverktug med fingret på strömbrytaren eller koppla det till nätet med strömbrytaren på.
 - d. **Ta bort alla inställningsverktyg och skruvnycklar innan du startar elverktuget.** Ett verktyg eller en nyckel i en roterande komponent kan medföra kroppsskada.
 - e. **Sträck dig inte för långt. Se till att du alltid har säkert fotfäste och balans.** På så sätt kan du lättare kontrollera elverktuget i oväntade situationer.
 - f. **Bär lämplig klädsel. Bär inte löst hängande kläder eller smycken. Håll hår, kläder och handskar undan från rörliga delar.** Löst hängande kläder, smycken och långt hår kan dras in av roterande delar.
 - g. **Om elverktuget är utrustat med dammsugnings- och uppsamlingsutrustning, kontrollera att dessa anordningar är rätt monterade och att de används på korrekt sätt.** Dammuppsamling minskar riskerna för dammrelaterade olyckor.
 4. **Bruk och skötsel av elverktug**
 - a. **Överbelasta inte elverktuget. Använd rätt elverktug för det aktuella arbetet.** Med ett lämpligt elverktug kan du arbeta bättre och säkrare inom angivet effektområde.
 - b. **Ett elverktug med defekt strömbrytare får inte användas.** Ett elverktug som inte kan kopplas till eller från är farligt och måste repareras.

- c. Dra ut stickkontakten ur vägguttaget och/eller batteripaketet ur det motordrivna verktyget innan inställningar utförs, tillbehörsdelar byts ut eller det motordrivna verktyget ställs undan. Denna skyddsåtgärd förhindrar oavsiktlig inkoppling av elverktyget.
- d. Förvara elverktygen oåtkomliga för barn. Låt inte elverktyget användas av personer som inte är förtrogna med dess användning eller inte läst denna anvisning. Elverktyg är farliga om de används av oerfarna personer.
- e. Sköt elverktyget omsorgsfullt. Kontrollera att rörliga komponenter fungerar felfritt och inte kärvar, att komponenter inte brustit eller skadats och inget annat föreligger som kan påverka elverktygets funktioner. Låt skadade delar repareras innan elverktyget används på nytt. Många olyckor orsakas av dåligt skötta elverktyg.
- f. Håll skärverktyg skarpa och rena. Omsorgsfullt skötta skärverktyg med skarpa eggar fastnar inte så lätt och går lättare att styra.
- g. Använd det motordrivna verktyget, tillbehör och insatsverktyg etc. enligt dessa anvisningar. Ta hänsyn till arbetsvillkoren och arbetsmomenten. Används elverktyget på icke ändamålsenligt sätt kan farliga situationer uppstå.

5. Bruk och skötsel av elverktyg

- a. Ladda batterierna endast i de laddare som tillverkaren rekommenderat. Om en laddare som är avsedd för en viss typ av batterier används för andra batterityper finns risk för brand.
- b. Använd endast batterier som är avsedda för aktuell elverktyg. Används andra batterier finns risk för kroppsskada och brand.
- c. Håll gem, mynt, nycklar, spikar, skruvar och andra metallföremål på avstånd från reservbatterier för att undvika att kontaktarna kortsluts. Kortslutning av batteriets kontakter kan leda till brännskador eller brand.
- d. Om batteriet används på felaktigt sätt finns risk för att vätska rinner ur batteriet. Undvik kontakt med vätskan. Vid oavsiktlig kontakt spola med vatten. Om vätska kommer i kontakt med ögonen uppsök dessutom läkare. Batterivätskan kan medföra hudirritation eller brännskada.

6. Service

- a. Låt endast elverktyget repareras av kvalificerad fackpersonal och med originalreservdelar. Detta garanterar att elverktygets säkerhet bibehålls.

Extra säkerhetsvarningar för motordrivna verktyg



Varning! Extra säkerhetsvarningar för borrar och slagborrar

- ◆ **Bär örnskydd vid arbete med en slagborr.** Att utsättas för buller kan leda till hörselskador.
- ◆ **Använd hjälphandtagen som levererades med verktyget.** Kontrollförlust kan orsaka personskador.
- ◆ **Håll fast sågen endast vid de isolerade handtagen när sågning utförs på ställen där sågtillbehöret kan skada dolda elledningar eller egen nätsladd.** Om sågtillbehöret kommer i kontakt med en spänningsförande ledning sätts verktygets metalldelar under spänning vilket kan leda till elektriska stötar.
- ◆ **Använd klämmor eller något annat praktiskt sätt för att fästa och stödja arbetsstycket på ett stabilt underlag.** Om man håller arbetsstycket med handen eller mot kroppen blir det instabilt och man kan riskera att förlora kontrollen över det.
- ◆ Kontrollera var de elektriska ledningarna och rörledningarna är installerade innan du borrar i väggar, golv och tak.
- ◆ Rör inte borrarspetsen omedelbart efter det att borrar har stannat eftersom den kan vara varm.
- ◆ Verktyget är inte avsett att användas av personer (inklusive barn) med försvagade fysiska, sensoriska eller mentala förmågor, eller som saknar erfarenhet och kunskaper, om de inte får övervakning eller undervisning i användning av apparaten av någon som ansvarar för deras säkerhet. Håll uppsyn så att inga barn leker med apparaten.
- ◆ Verktygets avsedda bruk beskrivs i denna bruksanvisning. Bruk av tillbehör eller tillsatser, eller utförande av någon verksamhet med detta verktyg, som inte rekommenderas i denna bruksanvisning kan innebära risk för personskada och/eller skada på egendom.

Skakas

De angivna vibrationsemissionsvärdena i tekniska data / försäkran om överensstämmelse har uppmätts enligt en standardtestmetod som tillhandahålls av EN 60745 och kan användas för att jämföra olika verktyg med varandra. De angivna vibrationsemissionsvärdena kan även användas för en preliminär beräkning av exponering.

Varning! Vibrationsemissionsvärdet under faktisk användning av elverktyget kan skilja sig från det angivna värdet beroende på hur verktyget används. Vibrationsnivån kan överstiga den angivna nivån.

Vid beräkning av vibrationsexponering för att bestämma säkerhetsåtgärder enligt 2002/44/EG för att skydda personer som regelbundet använder elverktyg i arbetet, bör en beräkning av vibrationsexponeringen ta med i beräkningen de faktiska användningsförhållandena och sättet verktyget används, inkluderande att man tar med i beräkningen alla delar av användningscykeln, förutom själva "avtryckartiden" även t.ex. när verktyget är avstängt och när det går på tomgång.

Märken på verktyget

Följande symboler finns på verktyget:



Varning! För att minska risken för skador måste användaren läsa igenom bruksanvisningen.

Tillkommande säkerhetsanvisningar för batterier och laddare

Batterier

- ◆ Försök aldrig öppna.
- ◆ Låt inte batteriet komma i kontakt med vatten.
- ◆ Förvara inte laddaren i utrymmen där temperaturen kan överstiga 40 °C.
- ◆ Ladda endast inom temperaturområdet 10 °C till 40 °C.
- ◆ Ladda endast med laddaren som medföljer.
- ◆ När batterierna kasseras skall instruktionerna i kapitlet "Miljöskydd" följas.



Försök aldrig ladda ett skadat batteri.

Laddare

- ◆ Använd Black & Decker-laddaren endast för att ladda batteriet i det verktyg det medföljde. Andra typer av batterier kan explodera och förorsaka person- och materialskador.
- ◆ Försök aldrig ladda icke-uppladdningsbara batterier.
- ◆ Byt genast ut skadade sladdar.
- ◆ Låt inte laddaren komma i kontakt med vatten.
- ◆ Öppna inte laddaren.
- ◆ Gör ingen åverkan på laddaren.



Laddaren är endast avsedd för inomhusbruk.



Läs bruksanvisningen före bruk.



Laddaren stängs automatiskt av om omgivningstemperaturen är för hög. Så snart omgivningstemperaturen har svalnat fungerar laddaren igen.



Batteriet är för varmt



Ladda endast inom temperaturområdet 10 °C till 40 °C.



Laddningsprocessen är färdig (fast grönt ljus)



Laddar (blinkande grönt ljus)



Trasigt batteri



Låg strömförsörjning

Elsäkerhet



Laddaren är dubbelisolerad; jordledare är således överflödiga. Kontrollera alltid att nätspänningen överensstämmer med typskylten. Försök aldrig att ersätta laddningsenheten med en vanlig nätkontakt.

- ◆ Om nätsladden är skadad måste den bytas ut av tillverkaren eller en godkänd Black & Deckerserviceverkstad för att undvika en risksituation.

Detaljbeskrivning

Verktyget har en del eller samtliga av nedanstående funktioner.

1. Steglös strömbrytare
2. Reglage höger-/vänstergång
3. Chuck
4. Lågesväljare / krage för justering av vridmoment
5. Växeltreglage
6. Bitshållare
7. Batteri

Fig. A

8. Laddare
9. Laddningsenhet
10. Laddningsindikator - laddning pågår

Montering

Varning! Tag alltid bort batteriet innan montering.

Placering och borttagning av batteriet (fig. B)

- ◆ Montera batteriet (7) genom att rikta det efter hållaren på verktyget. Skjut sedan in batteriet i hållaren tills det klickar fast.

- ◆ Avlägsna batteriet genom att trycka på knappen (11) och samtidigt dra ut batteriet ur hållaren.

Montering av batterikåpan (fig. C)

Varning! Sätt kåpan (12) över batteriet (7) för transport och förvaring.

Isättning och borttagning av borrhållare och skruvbits (fig. D)

För att det ska vara lätt att byta borrhållare och bits är verktyget försedd med en snabbchuck.

- ◆ Läs verktyget genom att ställa reglaget (2) i mittläge.
- ◆ Öppna chucken genom att vrida kragen (13) med en hand medan du håller verktyget med den andra handen.
- ◆ För in bitskäft (14) i chucken.
- ◆ Drag åt chucken stadigt genom att vrida kragen (13) med en hand medan du håller verktyget med den andra handen.

Verktyget levereras med ett dubbelsidigt skruvbits i bitshållaren (6).

- ◆ För att ta ut bitset, drar du ut det ur hållaren.
- ◆ För förvaring trycker du fast bitset i hållaren.

Användning

Varning! Överbelasta inte maskinen, låt den arbeta i sin egen takt.

Laddning av batteriet (fig. A)

Varning! Ladda inte batteriet om lufttemperaturen är lägre än 10 °C eller högre än 40 °C. Rekommenderad temperatur vid laddning: cirka 24 °C.

Obs: Laddaren kan inte ladda batteriet om celltemperaturen är under 0 °C eller över 60 °C. Batteriet ska lämnas kvar i laddaren, så sätts batteriladdningen igång så snart temperaturen ökar eller sjunker.

- ◆ Anslut laddaren (8) och sätt på huvudströmmen.
- ◆ Sätt batteriet (7) i laddaren. Kontrollera att batteriet sitter ordentligt i laddaren (8).

Laddningsindikatorn (10) blinkar kontinuerligt (långsamt). Laddningen slutförs när laddningsindikatorn (10) lyser kontinuerligt. Laddaren och batteriet kan förbli anslutna på obegränsad tid då LED-indikatorn lyser. LED-indikatorn börjar blinka (laddningsläge) när laddaren upptäcker att batteriet behöver laddas. Laddningsindikatorn (10) lyser så länge batteriet är kopplat till laddaren och laddaren till elnätet.

- ◆ Ladda urladdade batteriet inom en vecka. Batteriets livslängd minskar till stor del om det förvaras urladdat.

Laddningsindikatorer

Om laddaren upptäcker problem med batteriet, börjar laddningsindikatorn (10) att blinka snabbt. Gör så här:

- ◆ Sätt åter in batteriet (7).
- ◆ Om laddningsindikatorerna fortsätter att blinka snabbt, ska du använda ett annat batteri för att avgöra om laddningsprocessen fungerar korrekt.
- ◆ Om det ersatta batteriet laddas korrekt, betyder det att ursprungsbatteriet är defekt och ska återlämnas till ett center för återvinning.
- ◆ Om det nya batteriet ger samma indikation som ursprungsbatteriet, ska du låta testa laddaren vid en auktoriserad reparationsverkstad.

Obs: Det kan ta upp till 15 minuter för att avgöra om ett batteri är defekt eller inte. Om batteriet är för varmt eller för kallt, blinkar LED-indikatorn växelvis snabbt och långsamt med en blinkning vid varje hastighet och repetition.


Val av rotationsriktning (fig. E)

När du borrar och drar åt, rotera framåt (medurs). För att dra ur skruvar eller lossa en borrhållare som har kört fast, rotera bakåt (moturs).


- ◆ Välj rotation framåt genom att föra reglaget (2) åt vänster.
- ◆ Välj rotation bakåt genom att föra reglaget åt höger.
- ◆ Spärra verktyget genom att ställa reglaget i mittläget.

Val av driftläge eller vridmoment (fig. F)

Verktyget är försedd med en krage för val av driftläge, och för att ställa in vridmomentet för iskruvning av skruvar. Stora skruvar och hårda arbetsmaterial kräver högre vridmoment än små skruvar och mjukare arbetsmaterial. Kragen kan ställas in i många olika lägen, för att anpassa vridmomentet.

- ◆ För borrhållare i trä, metall eller plast ska kragen (4) vridas till borrhållareläget, d.v.s. så att symbolen  hamnar i linje med märket (15).
- ◆ För skruvdragning ställer du in kragen i önskat läge. Gör så här om du inte är säker på rätt inställning:
 - Ställ kragen (4) på det lägsta vridmomentet.
 - Dra åt den första skruven.
 - Om kopplingen släpper innan önskat resultat uppnås höjer du vridmomentet och skruvar vidare. Upprepa tills du nått rätt inställning. Använd denna inställning för de återstående skruvarna.

HP148F4L/HP188F4 - Borrhållare i murverk (fig. F & G)

- ◆ För borrhållare i byggnadssten ska kragen (4) vridas till slagborrsläget, d.v.s. med symbolen  mitt för markeringen (15).
- ◆ Skjut växeln med två lägen (5) mot framsidan på verktyget (2:ans växel).

Växelreglage (fig. G)

- ◆ För borrhållare i stål och iskruvning av skruvar ska växelreglaget (5) skjutas mot verktygets bakre del (1:ans växel).

- ◆ För borring i andra material än stål ska växelreglaget (5) skjutas mot verktygets främre del (2:ans växel).

Borring och skruvdragning

- ◆ Välj rotation framåt eller bakåt genom att använda reglaget (2).
- ◆ Tryck på strömbrytaren (1) för att starta verktyget. Verktygets hastighet beror på hur långt in strömbrytaren trycks.
- ◆ Släpp reglaget för att stänga av verktyget.

Råd för bästa resultat

Borring

- ◆ Utöva alltid ett lätt tryck i borrbitsens längdriktning.
- ◆ Reducera verktygets tryck ytterligare strax innan borspetsen tränger ut ur arbetsstyckets andra sida.
- ◆ Använd en träbit under arbetsstycket för att undvika att arbetsstycket spricker.
- ◆ Använd flatborrbits när du skall borra hål med stor diameter i trä.
- ◆ Använd HSS-borrbits vid borring i metall.
- ◆ Använd betongborrbits vid borring i murverk.
- ◆ Använd smörjmedel vid borring i andra metaller än gjutjärn och mässing.
- ◆ För bättre precision bör du slå ett kärnslag i mitten av hålet som skall borras.

Skruvdragning

- ◆ Använd alltid rätt typ och storlek på bitset.
- ◆ Om det är svårt att dra åt skruven kan lite flytande tvättmedel eller tvål anbringas som smörjmedel.
- ◆ Håll alltid verktyget och bitset i rak linje med skruven.

Skötsel

Ditt Black & Decker verktyg har tillverkats för att fungera under lång tid med ett minimum av underhåll. Med rätt underhåll och regelbunden rengöring behåller verktyget sina prestanda.

Laddaren behöver inget underhåll förutom regelbunden rengöring.

Varning! Tag bort batteriet innan underhåll utförs på verktyget. Tag ur laddarkontakten före rengöring.

- ◆ Rengör ventilationsöppningarna på verktyget och laddaren regelbundet med en mjuk borste eller torr trasa.
- ◆ Rengör kåpan regelbundet med en fuktig trasa. Använd aldrig rengöringsmedel med lösnings- eller slipmedel i.
- ◆ Öppna chucken regelbundet och knacka på den för att avlägsna eventuellt damm som hamnat inuti den.

Miljöskydd



Särskild insamling. Denna produkt får inte kastas bland vanliga hushållssopor.

Om du någon gång i framtiden behöver ersätta din Black & Decker-produkt med en ny, eller inte längre behöver den, ska du inte kasta den i hushållssoporna. Denna produkt skall lämnas till särskild insamling.



Efter insamling av använda produkter och förpackningsmaterial kan materialen återvinnas och användas på nytt. Användning av återvunna material skonar miljön och minskar förbrukningen av råvaror.

Enligt lokal lagstiftning kan det förekomma särskilda insamlingar av uttjänt elutrustning från hushåll, antingen vid kommunala miljöstationer eller hos detaljhandlaren när du köper en ny produkt.

Black & Decker erbjuder en insamlings- och återvinningstjänst för Black & Decker-produkter när de en gång har tjänat ut. För att använda den här tjänsten lämnar du in produkten till en auktoriserad B & D -reparatör/representant som tar hand om den för din räkning.

Närmaste auktoriserad Black & Decker-representant finner du genom det lokala Black & Decker-kontoret på adressen i den här manualen. Annars kan du söka på Internet, på listan över auktoriserade Black & Decker-representanter och alla uppgifter om vår kundservice och andra kontakter www.2helpU.com

Batterier



Black & Decker-batterierna kan laddas många gånger. Skydda miljön genom att lämna uttjänta batterier till avsedd uppsamlingsplats.

- ◆ Låt batteriet laddas ur helt och ta sedan bort det från verktyget.
- ◆ NiCd-, NiMH- och Li-Ion-batterier kan återvinnas. Lämna dem till inköpsstället eller den lokala återvinningsstationen.

Tekniska data

	HP146F4L	HP148F4L
Spänning	V _{DC} 14,4	14,4
Obelastad hastighet	min ⁻¹ 0-350/0-1.200	0-350/0-1.200
Max. vridmoment	Nm 28	29
Chuckkapacitet	mm 13	13
Maximal borrkapacitet		
stål/trä/murverk	mm 13/19	13/19/13

Kat. nr. batteri	A1114L	A1114L
Vikt (utan batteri)	kg 1,33	1,38

	HP186F4L	HP188F4L
Spänning	V _{DC} 18	18
Obelastad hastighet	min ⁻¹ 0-350/0-1.200	0-350/0-1.200
Max. vridmoment	Nm 33	34
Chuckkapacitet	mm 13	13
Maximal borrkapacitet stål/trä/murverk	mm 13/25	13/25/13
Kat. nr. batteri	A1118L	A1118L
Vikt (utan batteri)	kg 1,33	1,38

Batteri	A1114L	A1118L
Spänning	V _{DC} 14,4	18
Kapacitet	Ah 1,1	1,1
Vikt	kg 0,37	0,44

Laddare		
Spänning	V _{AC} 230	
Laddningstid cirka	h 1	
Vikt	kg 0,55	

EC-förklaring om överensstämmelse

HP146F4L H1/HP148F4L H1/HP186F4L H1/HP188F4L H1

Black & Decker förklarar att dessa produkter överensstämmer med:
98/37/EG, EN 60745

Bullernivå, uppmätt enligt EN 60745:

Bullernivå (L_{PA}) 87,7 dB(A), avvikelse (K) 3 dB(A)

Ljudeffekt (L_{WA}) 98,7 dB(A), avvikelse (K) 3 dB(A)

Vibrationens totala värde (treaxelvektorsumma) bestämd enligt EN 60745:

Slagborrning i betong (a_{h, ID}) 17,7 m/s², avvikelse (K) 1,5 m/s²

Borrning i metall (a_{h, D}) 1,32 m/s², avvikelse (K) 1,5 m/s²

Skruvdragning utan belastning (a_{h, S}) 0,65 m/s²,
avvikelse (K) 1,5 m/s²

Undertecknad är ansvarig för sammanställningen av den tekniska filen och gör denna försäkran som representant för Black & Decker.



Kevin Hewitt
Director of Consumer Engineering
Spennymoor, County Durham DL16 6JG,
Storbritannien
28-5-2009

Reservdelar / reparationer

Reservdelar finns att köpa hos auktoriserade Black & Decker verkstäder, som även ger kostnadsförslag och reparerar våra produkter.

Förteckning över våra auktoriserade verkstäder finns på Internet, vår hemsida www.blackanddecker.se samt www.2helpU.com

Garanti

Black & Decker garanterar att produkten är fri från material- och/eller fabriktionsfel vid leverans till kund. Garantin är i tillägg till konsumentens lagliga rättigheter och påverkar inte dessa. Garantin gäller inom medlemsstaterna i Europeiska Unionen och i det Europeiska Frihandelsområdet.

Om en Black & Decker produkt går sönder på grund av material- och/eller fabriktionsfel eller brister i överensstämmelse med specifikationen, inom 24 månader från köpet, åtar sig Black & Decker att reparera eller byta ut produkten med minsta besvär för kunden.

Garantin gäller inte för fel som beror på:

- ◆ normalt slitage
- ◆ felaktig användning eller skötsel
- ◆ att produkten skadats av främmande föremål, ämnen eller genom olyckshändelse

Garantin gäller inte om reparation har utförts av någon annan än en auktoriserad Black & Decker verkstad.

För att utnyttja garantin skall produkten och inköpskvittot lämnas till återförsäljaren eller till en auktoriserad verkstad senast 2 månader efter det att felet har upptäckts. För information om närmaste auktoriserad verkstad; kontakta det lokala Black & Decker kontoret på den adress som är angiven i bruksanvisningen. En lista på alla auktoriserade verkstäder samt servicevillkor finns även tillgängligt på Internet, adress: www.2helpU.com

Besök vår webbplats www.blackanddecker.se för att registrera din nya Black & Decker-produkt samt för att erhålla information om nya produkter och specialerbjudanden. Vidare information om märket Black & Decker och vårt produktsortiment kan återfinnas på www.blackanddecker.se

Bruksområder

Black & Decker drill/skrutrekker er konstruert for skruing og boring i tre, metall, plast og mur. Verktøyet er tiltenkt kun som konsumentverktøy.

Sikkerhetsinstruksjoner

Generelle sikkerhetsadvarsler for elektroverktøy



Advarsel! Les alle sikkerhetsadvarsler og alle instruksjoner. Hvis advarsler og instruksjoner ikke følges, kan det medføre elektrisk støt, brann og/eller alvorlige skader.

Ta vare på alle advarsler og instruksjoner for fremtidige oppslag. Uttrykket «elektroverktøy» i alle advarslene nedenfor gjelder for strømledende elektroverktøy (med ledning) og batteridrevne elektroverktøy (uten ledning).

1. Sikkerhet i arbeidsområdet

- Hold arbeidsområdet rent og godt opplyst.** Rotete arbeidsområder med dårlig belysning kan føre til ulykker.
- Ikke arbeid med elektroverktøy i eksplosjonsfarlige omgivelser hvor det finnes brennbare væsker, gass eller støv.** Elektroverktøy forårsaker gnister som kan antenne støv eller røyk.
- Hold barn og andre personer unna når elektroverktøyet brukes.** Hvis du blir forstyrret under arbeidet, kan du miste kontrollen.

2. Elektrisk sikkerhet

- Støpselet til elektroverktøyet må passe inn i stikkkontakten. Støpselet må ikke forandres på noen som helst måte. Ikke bruk adapterstøpsler sammen med jordete elektroverktøy.** Bruk av originale støpsler og passende stikkontakter reduserer risikoen for elektrisk støt.
- Unngå kroppskontakt med jordete overflater som rør, radiatorer, komfyrer og kjøleskap.** Det er større fare for elektrisk støt hvis kroppen din er jordet.
- Utsett ikke elektroverktøy for regn eller fuktighet.** Dersom det kommer vann i et elektroverktøy, øker risikoen for elektrisk støt.
- Unngå uforvarlig behandling av ledningen. Elektroverktøyet må aldri bæres eller trekkes etter ledningen, og trekk heller ikke ut støpselet ved å rykke i ledningen. Hold ledningen unna varme, olje, skarpe kanter eller bevegelige deler.** Med skadde eller sammenflokete ledninger øker risikoen for elektrisk støt.
- Når du arbeider utendørs med et elektroverktøy, må du kun bruke en skjøteledning som er godkjent til utendørs bruk.** Ved å bruke en skjøteledning som er egnet for utendørs bruk, reduseres risikoen for elektrisk støt.

- Hvis du må bruke et elektrisk verktøy på et fuktig sted, må du bruke en forsyning som er beskyttet med en reststrømsanordning (RCD).** Bruk av en RCD reduserer risikoen for støt.

3. Personssikkerhet

- Vær oppmerksom, pass på hva du gjør og vis fornuft når du arbeider med et elektroverktøy. Ikke bruk elektroverktøy når du er trett eller er påvirket av narkotika, alkohol eller medikamenter.** Et øyeblikks uoppmerksomhet under bruk av verktøyet kan føre til alvorlige personskader.
 - Bruk personlig verneutstyr. Bruk alltid vernebriller.** Verneutstyr som støvmaske, sko med gode såler, hjelm og hørselsvern bør brukes for å redusere risikoen for personskade.
 - Unngå utilsiktet oppstart. Påse at bryteren er i av-stilling før du kopler til strøm og/eller batteripakke, plukker opp eller bærer verktøyet.** Hvis du bærer et elektrisk verktøy med fingeren på bryteren, eller hvis du setter strøm på et verktøy som har bryteren slått på, inviterer du til ulykker.
 - Fjern innstillingsverktøy eller skrunøkler før du slår på elektroverktøyet.** Et verktøy eller en nøkkel som befinner seg i en roterende del kan føre til personskade.
 - Ikke strekk deg for langt. Pass på at du alltid har sikkert fotfeste og god balanse.** Da kan du kontrollere elektroverktøyet bedre i uventede situasjoner.
 - Bruk alltid egnede klær. Ikke bruk løstsittende klær eller smykker. Hold hår, klær og hansker unna bevegelige deler.** Løstsittende klær, smykker eller langt hår kan komme inn i bevegelige deler.
 - Hvis det kan monteres støvavsug- og oppsamlingsinnretninger, må du forvisse deg om at disse er tilkoblet og brukes på riktig måte.** Bruk av støvavsug reduserer farer i forbindelse med støv.
- #### 4. Aktsom håndtering og bruk av elektroverktøy
- Ikke bruk makt på elektroverktøyet. Bruk et elektroverktøy som er beregnet på den type arbeid du vil utføre.** Med et passende elektroverktøy arbeider du bedre og sikrere i det angitte effektområdet.
 - Ikke bruk elektroverktøyet hvis det ikke lar seg slå på og av med bryteren.** Et elektroverktøy som ikke kan kontrolleres med bryteren er farlig og må repareres.
 - Trekk støpselet ut av stikkkontakten og/eller kople fra batteripakken før du utfører innstillinger på et elektrisk verktøy, skifter tilbehør eller legger verktøyet bort.** Disse tiltakene reduserer risikoen for en utilsiktet start av elektroverktøyet.

- d. **Elektroverktøy som ikke er i bruk må oppbevares utilgjengelig for barn. Ikke la verktøyet brukes av personer som ikke er fortløig med det eller som ikke har lest disse bruksanvisningene.** Elektroverktøy er farlige når de brukes av uerfarne personer.
- e. **Vær nøye med vedlikehold av elektroverktøy. Kontroller om bevegelige deler fungerer feilfritt og ikke klemmes fast, om deler er brukket eller skadet og andre forhold som kan innvirke på elektroverktøyet funksjon. Hvis elektroverktøyet er skadet, må det repareres før bruk.** Dårlig vedlikeholdte elektroverktøy er årsaken til mange uhell.
- f. **Hold skjæreverktøy skarpe og rene.** Godt vedlikeholdte skjæreverktøy med skarpe egger setter seg ikke så ofte fast og er lettere å føre.
- g. **Bruk elektroverktøy, tilbehør, bor osv. i henhold til disse instruksjonene. Ta hensyn til arbeidsforholdene og arbeidet som skal utføres.** Bruk av elektroverktøy til andre formål enn det som er angitt, kan føre til farlige situasjoner.
5. **Aktsom håndtering og bruk av oppladbare elektroverktøy**
- a. **Lad batteriet kun opp i laderen som er anbefalt av produsenten.** Det oppstår brannfare hvis en lader som er egnet til en bestemt type batterier, brukes med andre batterier.
- b. **Bruk kun riktig type batterier for elektroverktøyene.** Bruk av andre batterier kan medføre skader og brannfare.
- c. **Hold batterier som ikke er i bruk, unna binders, mynter, nøkler, spikre, skruer eller andre mindre metallgjenstander som kan lage en forbindelse mellom kontaktene.** En kortslutning mellom batterikontaktene kan føre til forbrenninger eller brann.
- d. **Ved feilaktig bruk kan det lekkte væske ut av batteriet. Unngå kontakt med denne væsken. Ved tilfeldig kontakt må det skylles med vann. Hvis det kommer væske i øynene, må du i tillegg oppsøke lege.** Batterivæske som renner ut, kan føre til hudirritasjoner eller forbrenninger.
6. **Service**
- a. **Elektroverktøyet ditt skal alltid repareres av kvalifisert personell og kun med originale reservedeler.** Dette sikrer at elektroverktøyet sikkerhet opprettholdes.
- ◆ **Bruk hørselvern når du bruker slagbor.** Utsettelse for støy kan forårsake hørselstap.
- ◆ **Bruk ekstrahåndtakene som følger med verktøyet.** Hvis du mister kontrollen, kan det oppstå personskaade.
- ◆ **Hold elektriske verktøy i de isolerte gripeflatene når du utfører arbeid der skjæretilbehøret kan komme i kontakt med skjulte ledninger eller sin egen kabel.** Kontakt med en strømførende ledning vil gjøre verktøyet metalldeleer strømførende og gi operatøren støt.
- ◆ **Bruk klemmer eller en annen praktisk måte til å feste arbeidsemnet til et stabilt underlag.** Arbeidsemnet blir ustabil og du mister kontroll dersom du holder det i hånden eller inn mot kroppen.
- ◆ **Før drilling i vegger, gulv eller tak, må du undersøke hvor ledninger og rør befinner seg.**
- ◆ **Unngå å røre borspissen rett etter at du har boret, da den kan være varm.**
- ◆ **Dette verktøyet er ikke beregnet til å brukes av personer (inkludert barn) med redusert fysisk, sansesmessig eller mental kapasitet eller mangel på erfaring og kunnskap, med mindre de er under oppsyn eller har fått opplæring i bruk av verktøyet av en person som har ansvaret for deres sikkerhet. Barn må ha tilsyn for å sikre at de ikke leker med apparatet.**
- ◆ **Denne instruksjonshåndboken forklarer beregnet bruksmåte. Bruk bare tilbehør og utstyr som anbefales i bruksanvisningen. Bruk av annet verktøy eller tilbehør kan medføre risiko for skade på person og/eller utstyr.**

Vibrasjon

De erklærte vibrasjonsnivåene i avsnittet Tekniske Data / Samsvarserklæring er målt i samsvar med en standard testmetode som gis av EN 60745, og kan brukes til å sammenligne et verktøy med et annet. Erklært vibrasjonsnivå kan også brukes i en foreløpig vurdering av eksponering.

Advarsel! Vibrasjonsnivået ved faktisk bruk av elektroverktøyet kan variere fra erklært verdi, avhengig av måten verktøyet brukes på. Vibrasjonsnivået kan øke over det oppgitte nivået.

Når du vurderer eksponering til vibrasjon for å bestemme sikkerhetstiltak som anbefalt i 2002/44/EF for å beskytte personer som jevnlig bruker elektroverktøy, bør en estimering av eksponeringen ta hensyn til de faktiske bruksforholdene og måten verktøyet brukes på. Dette inkluderer alle deler av brukssyklusen som f.eks. tidsperioder da verktøyet er slått av og når det går uten belastning, i tillegg til faktisk arbeidstid.



Advarsel! Ekstra sikkerhetsadvarsler for bormaskiner og slagbormaskiner

Etiketter på verktøyet

Følgende symboler befinner seg på verktøyet:



Advarsel! Bruker må lese bruksanvisningen for å redusere faren for skader.

Ekstra sikkerhetsforskrifter for batterier og ladere

Batterier

- ◆ Gjør aldri under noen omstendigheter forsøk på å åpne apparatet.
- ◆ Batteriet må ikke komme i kontakt med vann.
- ◆ Apparatet må ikke oppbevares på steder hvor temperaturen kan overstige 40 °C.
- ◆ Må bare lades i lufttemperaturer mellom 10 °C og 40 °C.
- ◆ Må bare lades med laderen som følger med verktøyet.
- ◆ Når batteriene skal kastes, følg instruksene i avsnittet "Miljøvern".



Bruk aldri et skadet batteri.

Ladere

- ◆ Bruk din Black & Decker lader kun sammen med det batteriet som blir levert med verktøyet. Andre typer batterier kan eksplodere og forårsake person- og materialskader.
- ◆ Forsøk aldri å lade ikke-oppladbare batterier.
- ◆ Bytt straks ut defekte ledninger.
- ◆ Laderen må ikke komme i kontakt med vann.
- ◆ Laderen må ikke åpnes.
- ◆ Ikke undersøk laderen på egenhånd.



Laderen er kun beregnet på innendørs bruk.



Les instruksjonshåndboken før bruk.



Laderen slås automatisk av hvis omgivelsestemperaturen blir for høy. Så snart omgivelsestemperaturen går ned, starter laderen igjen.



Batteriet for varmt



Må bare lades i lufttemperaturer mellom 10 °C og 40 °C.



Ladeprosessen fullført (kontinuerlig grønt lys)



Lader (blinkende grønt lys)



Defekt batteri



Lav strømforsyning

Elektrisk sikkerhet



Laderen er dobbeltisolert. Derfor er ikke jording nødvendig. Kontroller at nettspenningen er i overensstemmelse med spenningen på typeskiltet. Du må aldri forsøke å bytte laderen ut med et vanlig støpsel.

- ◆ Hvis strømledningen skades, må den skiftes ut av fabrikanten eller et autorisert Black & Decker servicesenter for å unngå fare.

Egenskaper

Dette verktøyet har noen av eller alle disse funksjonene.

1. Trinnløs strømbryter
2. Bryter for høyre-/venstregange
3. Chuck
4. Justering for funksjonsvalg/dreiemoment
5. Girvelger
6. Borkroneholder
7. Batteri

Fig. A

8. Lader
9. Ladeenhet
10. Ladeindikator - lading pågår

Montering

Advarsel! Før montering må du alltid ta ut batteriet.

Montering og fjerning av batteriet (fig. B)

- ◆ Når du skal sette i batteriet (7), holder du det på høyde med holderen på verktøyet. Skyv batteriet inn i holderen, og trykk til det sitter på plass.
- ◆ Når du skal fjerne batteriet, trykker du på de to utløserknappene (11) samtidig, mens du drar batteriet ut av holderen.

Sette på batterihetten (fig. C)

Advarsel! Sett hetten (12) på batteriet (7) før det skal transporteres eller legges på lager.

Sette på og ta av bor og bits (fig. D)

Dette verktøyet er utstyrt med en nøkkelfri chuck, slik at det blir enklere å bytte bor og biter.

- ◆ Lås verktøyet ved å stille bryteren for høyre-/venstregange (2) på midtstillingen.
- ◆ Åpne chucken ved å dreie sylindren (13) med den ene hånden, mens du holder verktøyet med den andre hånden.
- ◆ Sett bitakselen (14) inn i chucken.
- ◆ Stram chucken godt ved å dreie sylindren (13) med den ene hånden, mens du holder verktøyet med den andre hånden.

Dette verktøyet leveres med en tidsidig skrutrekkerbits i bitsholderen (6).

- ◆ For å fjerne bitsen, løfter du den ut av holderen.
- ◆ For å oppbevare bitsen trykker du den godt inn i holderen.

Bruk

Advarsel! La verktøyet jobbe med sin egen hastighet. Ikke overbelast det.

Lade batteriet (fig. A)

Advarsel! Lad ikke batteriet hvis lufttemperaturen er under 10 °C eller over 40 °C. Anbefalt ladetemperatur: ca. 24 °C.

Merk: Laderen vil ikke lade et batteri hvis celledtemperaturen er under ca. 0 °C eller over 60 °C. Batteriet bør bli sittende i laderen, og laderen vil automatisk begynne ladingen når celledtemperaturen igjen er innenfor grensene.

- ◆ Koble laderen (8) til strømmettet og slå på strømmen.
- ◆ Sett batteriet (7) i batteriladeren. Pass på at batteriet sitter helt på plass i laderen (8).

Ladeindikatoren (10) vil blinke kontinuerlig (sakte). Ladingen er ferdig når ladeindikatoren (10) lyser hele tiden. Batteriet kan stå i laderen så lenge du vil når lampen lyser. Lampen vil begynne å blinke igjen (lading) hver gang laderen toplader batteriet. Ladelampen (10) lyser så lenge batteriet sitter i laderen og strømmen er slått på til laderen.

- ◆ Utladete batterier må lades opp innen 1 uke. Batteriets levetid blir vesentlig redusert hvis det oppbevares i utladet tilstand.

Ladeindikatorer

Hvis laderen registrerer et problem med batteriet, vil ladeindikatoren (10) blinke hurtig. Gjør som følger:

- ◆ Sett i batteriet (7) igjen.
- ◆ Hvis ladeindikatoren fortsetter å blinke hurtig, bruker du et annet batteri for å se om ladeprosessen fungerer som den skal.
- ◆ Hvis det nye batteriet lades korrekt, er det første batteriet defekt og bør returneres til et servicesenter for resirkulering.

- ◆ Hvis det nye batteriet gir samme indikasjon som det forrige, må batteriladeren testes hos et autorisert servicesenter.

Merk: Det kan ta opptil 15 minutter å påvise at batteriet er defekt. Hvis batteriet er for kaldt eller for varmt, vil lampen blinke vekselvis en gang hurtig og en gang sakte.

Velge rotasjonsretning (fig. E)

Til drilling og tilstramning av skruer skal verktøyet rotere forover (med klokken). For å løse skruer eller fjerne en blokkert drillbit bruker du rotasjon bakover (mot klokken).

- ◆ For å velge rotasjon forover trykker du bryteren (2) mot venstre.
- ◆ For å velge rotasjon bakover trykker du bryteren mot høyre.
- ◆ For å låse verktøyet stiller du bryteren i midtstilling.

Valg av funksjon eller vrिमoment (fig. F)

Dette verktøyet er utstyrt med en justering for valg av driftsmodus og for innstilling av dreiemomentet for innsetting av skruer. Store skruer og harde materialer krever en høyere innstilling av dreiemomentet enn små skruer og myke materialer. Kraven har en lang rekke innstillinger som passer til forskjellige oppgaver.

- ◆ For boring i tre, metall og plast stiller du kraven (4) inn på boreposisjon ved å sette drillsymbolet **2** på linje med merket (15).
- ◆ For skruing stilles kraven til ønsket innstilling. Hvis du ikke vet hvilken innstilling du bør bruke, gjør du slik:
 - Sett kraven (4) på det laveste dreiemomentet.
 - Stram den første skruen.
 - Hvis koplingen frigjøres før det ønskete resultatet er oppnådd, øker du innstillingen på justeringen og fortsetter å stramme skruen. Gjenta dette til du har oppnådd den korrekte innstillingen. Bruk denne innstillingen for de resterende skruene.

HP148F4L/HP188F4 - Boring i mur (fig. F & G)

- ◆ For boring i mur stiller du justeringen inn (4) på slagborposisjon ved å sette symbolet **T** på linje med merket (15).
- ◆ Skyv girvelgeren (5) mot fronten av verktøyet (2. gir).

Girvelger (fig. G)

- ◆ For boring i stål og for skruarbeider skyver du girvelgeren (5) bakover (1. gir).
- ◆ For boring i andre materialer enn stål skyver du girvelgeren (5) fremover (2. gir).

Boring og skruing

- ◆ Velg rotasjon forover eller bakover med bryteren (2).
- ◆ For å slå verktøyet på trykker du inn strømbryteren (1). Verktøyets hastighet er avhengig av hvor langt inn du trykker bryteren.
- ◆ Slipp strømbryteren for å stanse verktøyet.

Råd for optimalt resultat

Boring

- ◆ Boret skal trykkes lett og rett mot arbeidsstykket.
- ◆ Like før boret bryter gjennom på den andre siden av arbeidsstykket, slipper du trykket litt.
- ◆ Bruk en trebit under arbeidsstykket for å unngå at arbeidsstykket splintres.
- ◆ Bruk et flatbor/spiralbor når du skal bore hull med stor diameter i tre.
- ◆ Bruk HSS-bor når du borer i metall.
- ◆ Bruk betongbor når du borer i mur.
- ◆ Bruk smøremiddel når du borer i annet metall enn støpejern og messing.
- ◆ Før bedre presisjon: lag en fordykning med en kjørner i midten av hullet som skal bores.

Skruing

- ◆ Bruk alltid riktig type og størrelse på skrutrekkerkronen.
- ◆ Hvis det er vanskelig å stramme skruene, kan du forsøke å bruke litt flytende vaskemiddel eller såpe som smøremiddel.
- ◆ Hold alltid verktøyet og skrutrekkerkronen i rett linje med skruen.

Vedlikehold

Ditt Black & Decker verktøy har blitt utformet for å være i drift over en lang periode med et minimum av vedlikehold. Med riktig vedlikehold og regelmessig rengjøring beholder verktøyet ytelsen.

Laderen din behøver ikke annet vedlikehold enn at den rengjøres med jevne mellomrom.

Advarsel! Før det utføres noen form for vedlikehold av verktøyet, må batteriet tas ut. Trekk ut kontakten når laderen skal gjøres ren.

- ◆ Rengjør ventilasjonsåpningene på verktøyet og laderen regelmessig med en myk børste eller en tørr klut.
- ◆ Rengjør kåpen regelmessig med en fuktig klut. Ikke bruk slipende eller løsemiddelbaserte rengjøringsmidler.
- ◆ Åpne opp chucken regelmessig, og slå lett på den for å fjerne eventuelt støv fra innsiden.

Miljøvern



Kildesortering. Dette produktet må ikke kastes i det vanlige husholdningsavfallet.

Hvis du finner ut at Black & Decker-produktet ditt må skiftes ut, eller hvis du ikke lenger har bruk for det, må du unnlate å kaste det sammen med det vanlige husholdningsavfallet. Sørg for at dette produktet gjøres tilgjengelig for kildesortering.



Kildesortering av brukte produkter og emballasje gjør det mulig å resirkulere materialer og bruke dem igjen. Gjenbruk av resirkulerte materialer bidrar til å forhindre forurensning av miljøet og reduserer behovet for råmaterialer.

Lokale regelverk kan legge tilrette for kildesortering av elektriske produkter fra husholdningen, ved kommunale deponier eller gjennom forhandleren når du kjøper et nytt produkt.

Black & Decker har tilrettelagt for innsamling og resirkulering av Black & Decker-produkter etter at de har utspilt sin rolle. Ønsker du å benytte deg av denne tjenesten, returnerer du produktet ditt til et autorisert serviceverksted, som tar det imot og formidler det videre.

Du kan få adressen til ditt nærmeste autoriserte serviceverksted ved å kontakte ditt lokale Black & Decker-kontor på adressen oppgitt i denne håndboken. Du kan også finne en komplett liste over autoriserte Black & Decker-serviceverksteder og utfyllende informasjon om vår etter salg-service og kontaktnumre på Internett på følgende adresse: www.2helpU.com

Batterier



Black & Decker-batterier kan lades mange ganger. Beskytt miljøet ved å levere kasserte batteriet til kildesortering:

- ◆ Kjør batteriet til det er helt flatt og ta det så ut av verktøyet.
- ◆ NiCd-, NiMH- og Li-Ion-batterier kan resirkuleres. Ta dem med til en hvilken som helst autorisert forhandler eller en lokal kildesorteringsstasjon.

Tekniske data

	HP146F4L	HP148F4L
Spenning	V _{DC} 14,4	14,4
Hastighet ubelastet	min ⁻¹ 0-350/0-1.200	0-350/0-1.200
Maks. dreiemoment	Nm 28	29
Chuck-kapasitet	mm 13	13
Maks. borekapasitet		
stål/tre/murverk	mm 13/19	13/19/13
Kat.nr. batteri	A1114L	A1114L
Vekt (uten batteri)	kg 1,33	1,38

	HP186F4L	HP188F4L
Spenning	V _{DC} 18	18
Hastighet ubelastet	min ⁻¹ 0-350/0-1.200	0-350/0-1.200
Maks. dreiemoment	Nm 33	34
Chuck-kapasitet	mm 13	13
Maks. borekapasitet		
stål/tre/murverk	mm 13/25	13/25/13
Kat.nr. batteri	A1118L	A1118L
Vekt (uten batteri)	kg 1,33	1,38

Batteri	A1114L	A1118L
Spenning	V _{DC} 14,4	18
Kapasitet	Ah 1,1	1,1
Vekt	kg 0,37	0,44

Lader		
Spenning	V _{AC} 230	
Ladetid, ca	h 1	
Vekt	kg 0,55	

Samsvarserklæring for EU

HP146F4L H1/HP148F4L H1/HP186F4L H1/HP188F4L H1
Black & Decker erklærer at disse produktene overholder:
98/37/EF, EN 60745

Lydnivået, målt i henhold til EN 60745:

Lydtrykk (L_{PA}) 87,7 dB(A), usikkerhet (K) 3 dB(A)

Lydeffekt (L_{WA}) 98,7 dB(A), usikkerhet (K) 3 dB(A)

Totalverdier, vibrasjon (triax vektorsum) bestemt ifølge
EN 60745:

Slagboring i betong (a_{h, ID}) 17,7 m/s², usikkerhet (K) 1,5 m/s²

Slagboring i metall (a_{h, D}) 1,32 m/s², usikkerhet (K) 1,5 m/s²

Skrutrekking uten slag (a_{h, S}) 0,65 m/s², usikkerhet (K) 1,5 m/s²

Undertegnede er ansvarlig for sammenstillingen av den tekniske
filen og avgir denne erlæringen på vegne av Black & Decker.



Kevin Hewitt

Adm. dir. for forbrukerteknikk

Spennymoor, County Durham DL16 6JG,

Storbritannia

28-5-2009

Reservdeler / reparasjoner

Reservdeler kan kjøpes hos autoriserte Black & Decker
serviceverksteder, som også gir kostnadsoverslag og
reparerer våre produkter.

Oversikt over våre autoriserte serviceverksteder finnes på
Internett, vår hjemmeside www.blackanddecker.no samt
www.2helpU.com

Garanti

Black & Decker garanterer at produktet ikke har material- og/eller
fabrikasjonsfeil ved levering til kunde. Garantien er i tillegg til kundens lovlige rettigheter og påvirker ikke disse.
Garantien gjelder innen medlemsstatene i den Europeiske Unionen og i det Europeiske Frihandelsområdet.

Hvis et Black & Decker produkt går i stykker på grunn av material- og/eller fabrikasjonsfeil eller har mangler i forhold til spesifikasjonene, innen 24 måneder fra kjøpet, påtar Black & Decker seg å reparere eller bytte ut produktet med minst mulig vanskelighet for kunden.

Garantien gjelder ikke for feil som kommer av:

- ◆ normal slittasje
- ◆ feilaktig bruk eller vedlikehold (mislighold)
- ◆ at produktet har blitt skadet av fremmede gjenstander, emner eller ved et uhell

Det gjøres oppmerksom på at produktet ikke er beregnet på industriell/profesjonell/yrkesmessig bruk, men til hus- og hjemmebruk.

Garantien gjelder ikke om reparasjoner har blitt utført av noen andre enn et autorisert Black & Decker serviceverksted.

For å ta garantien i bruk skal produktet og kjøpekvittring leveres til forhandleren eller til et autorisert serviceverksted senest 2 måneder etter at feilen har blitt oppdaget. For informasjon om nærmeste autoriserte serviceverksted; kontakt det lokale Black & Decker kontoret på den adressen som er angitt i bruksanvisningen. En oversikt over alle autoriserte serviceverksteder samt servicevilkår finnes også tilgjengelig på Internett, adresse: www.2helpU.com

Vennligst stikk innom våre nettsider på www.blackanddecker.no for å registrere ditt nye Black & Decker-produkt og for å holde deg oppdatert om nye produkter og spesialtilbud. Du finner mer informasjon om Black & Decker og produktutvalget vårt på www.blackanddecker.no

Anvendelsesområde

Din Black & Decker boremaskine/skruetrækker er designet til bore- og skrueopgaver i træ, metal, plastik og blødt murværk. Værktøjet er kun beregnet til privat brug.

Sikkerhedsinstruktioner

Generelle sikkerhedsadvarsler for værktøjet



Advarsel! Læs alle sikkerhedsadvarsler og instrukser. Hvis nedenstående advarsler og instrukser ikke følges, er der risiko for elektrisk stød, brand og/eller alvorlige personskader.

Gem alle advarsler og instruktioner til fremtidig brug. Det benyttede begreb "el-værktøj" i nedennævnte advarsler referer til el-netdrevne (med tilslutningsledning) eller batteridrevne maskiner (uden tilslutningsledning).

1. Sikkerhed i arbejdsområdet

- Sørg for, at arbejdsområdet er rent og ryddeligt.**
Rodede eller uoplyste arbejdsområder øger faren for uheld.
- Brug ikke el-værktøj i eksplosionstruede omgivelser, f.eks. hvor der er brændbare væsker, gasser eller støv.**
El-værktøj kan slå gnister, der kan antænde støv eller dampe.
- Sørg for, at børn og andre personer holder sig på afstand, når el-værktøjet er i brug.** Hvis man distraheres, kan man miste kontrollen over maskinen.

2. El-sikkerhed

- El-værktøjsstik skal passe til kontakten. Stikkene må under ingen omstændigheder ændres. Brug ikke adapterstik sammen med jordforbundet el-værktøj.**
Uændrede stik, der passer til kontakterne, nedsætter risikoen for elektrisk stød.
- Undgå kropskontakt med jordforbundne overflader som f.eks. rør, radiatorer, komfurer og køleskabe.** Hvis din krop er jordforbundet, øges risikoen for elektrisk stød.
- El-værktøj må ikke udsættes for regn eller fugt.**
Indtrængen af vand i el-værktøj øger risikoen for elektrisk stød.
- Undgå at ødelægge ledningen. Undgå at bære, trække eller afbryde el-værktøjet ved at rykke i ledningen.**
Beskyt ledningen mod varme, olie, skarpe kanter eller maskindele, der er i bevægelse. Beskadede eller indviklede ledninger øger risikoen for elektrisk stød.
- Hvis el-værktøj benyttes i det fri, skal der benyttes en forlængerledning, som er godkendt til udendørs brug.**
Brug af en forlængerledning til udendørs brug nedsætter risikoen for elektrisk stød.

- Ved anvendelse af et elektrisk værktøj i områder med damp, anvend da en beskyttende afskærmning.** Denne afskærmning reducerer risikoen for elektrisk stød.

3. Personlig sikkerhed

- Vær opmærksom, hold øje med, hvad du laver, og brug el-værktøjet fornuftigt. Man bør ikke bruge maskinen, hvis man er træt, har nydt alkohol eller er påvirket af medicin eller euforiserende stoffer.** Få sekunders uopmærksomhed ved brug af el-værktøjet kan føre til alvorlige personskader.
 - Anvend sikkerhedsudstyr. Bær altid beskyttelsesbriller.** Beskyttende udstyr, som en støvmaske, skridsikre sikkerhedssko, beskyttelseshjelm eller ørepropper anvendt i de rigtige betingelser reducere ulykker.
 - Forebyg umotiveret opstart. Vær sikker på, at kontakten er slukket før du forbinder kraftkilden og/eller batteriet, løfter eller bærer værktøjet.** Hvis du bærer på værktøjet med din finger på kontakten eller starter værktøjet med kontakten slået til indbyder til ulykker.
 - Fjern indstillingsværktøj eller skruenøgle, inden el-værktøjet tændes.** Et værktøj eller en nøgle, der efterlades i en roterende del i el-værktøjet, kan resultere i personskader.
 - Overvurder ikke dig selv. Sørg for, at du altid har sikkert fodfæste og balance.** Det gør det nemmere at kontrollere el-værktøjet, hvis der skulle opstå uventede situationer.
 - Brug egnet arbejdstøj. Undgå løse beklædningsgenstande eller smykker. Hold hår, tøj og handsker væk fra dele, der bevæger sig.** Bevægelige dele kan gribe fat i løstsiddende tøj, smykker eller langt hår.
 - Hvis støvudsugnings- og opsamlingsudstyr kan monteres, er det vigtigt, at dette tilsluttes og benyttes korrekt.** Brug af støvopsamling nedsætter risikoen for personskader som følge af støv.
- #### 4. Brug og vedligeholdelse af el-værktøj
- Undgå at overbelaste el-værktøjet. Brug altid det rette el-værktøj til opgaven.** Med det rigtige el-værktøj udføres arbejdet lettere og sikrere inden for det angivne effektområde.
 - Brug ikke el-værktøjet, hvis afbryderen er defekt.**
El-værktøj, der ikke kan reguleres med afbryderen, er farligt og skal repareres.
 - Træk stikket ud af stikkontakten og/eller afmonter batteriet inden indstilling, tilbehørsudskiftning eller opbevaring af el-værktøjet.** Disse sikkerhedsforanstaltninger reducerer risikoen for utilsigtet start af værktøjet.

- d. **Opbevar ubenyttet el-værktøj uden for børns rækkevidde.** Lad aldrig personer, der ikke er fortrolige med el-værktøj, eller som ikke har gennemlæst disse instrukser, benytte maskinen. El-værktøj er farligt, hvis det benyttes af ukundige personer.
- e. **El-værktøj bør vedligeholdes omhyggeligt.** Kontroller, om bevægelige dele er skæve og ikke sidder fast, og om delene er brækket eller beskadiget, således at el-værktøjets funktion påvirkes. Få beskadigede dele repareret, inden el-værktøjet tages i brug. Mange uheld skyldes dårligt vedligeholdt el-værktøj.
- f. **Sørg for, at skæreværktøjer er skarpe og rene.** Omhyggeligt vedligeholdt skæreværktøjer med skarpe skærekanten sætter sig ikke så hurtigt fast og er nemmere at føre.
- g. **Brug el-værktøj, tilbehør, indsatsværktøj osv. i overensstemmelse med disse instrukser, og sådan som det kræves for denne specielle værktøjstype.** Tag hensyn til arbejdsforholdene og det arbejde, der skal udføres. I tilfælde af anvendelse af el-værktøjet til formål, som ligger uden for det fastsatte anvendelsesområde, kan der opstå farlige situationer.

5. Brug og vedligeholdelse af batteriværktøj

- a. **Oplades kun ved hjælp af ladeaggregater, der er anbefalet af fabrikanten.** Et ladeaggregat, der er egnet til en bestemt type batterier, kan udgøre brandfare, hvis det bruges med andre batterityper.
- b. **Brug kun el-værktøjet med specifikt fremstillede batterier.** Brug af andre batterier kan øge risikoen for personskader og er forbundet med brandfare.
- c. **Batterier, der ikke er i brug, må ikke komme i berøring med andre metalgenstande som f.eks. kontorclips, mønter, nøgler, søm, skruer eller andre små metalgenstande, da disse kan kortslutte kontakterne.** En kortslutning mellem batteripolerne kan medføre forbrændinger eller brand.
- d. **Hvis batteriet anvendes forkert, kan der slippe væske ud af det. Undgå kontakt med denne væske. Hvis der alligevel skulle forekomme kontakt, skylles med vand. Søg læge, hvis væsken kommer i øjnene.** Væske fra batteriet kan give hudirritation eller forbrændinger.

6. Service

- a. **Sørg for, at el-værktøjet kun reparerer af kvalificerede fagfolk, og at der kun benyttes originale reservedele.** Dermed bevares el-værktøjets sikkerhed.

Yderligere sikkerhedsadvarsler for værktøjet



Advarsel! Yderligere sikkerhedsadvarsler for bor og slagbor

- ◆ **Brug høreværn, når du bruger slagbor.** Udsættelse for støj kan føre til høretab.
- ◆ **Brug de hjælpehåndtag, der følger med maskinen.** Tab af kontrol kan forårsage lemlæstelser.
- ◆ **Hold altid kun fast på maskinen på de isolerede håndtagsflader, når der skal saves i emner, hvor der er risiko for, at skæretilbehøret kan komme i kontakt med strømførende ledninger eller apparatets eget kabel.** I tilfælde af at skæretilbehør kommer i kontakt med strømførende ledninger, vil metaldelene på værktøjet være under spænding og give elektrisk stød.
- ◆ **Brug spænder eller en anden praktisk måde til at sikre og støtte arbejdsemnet til en stabil flade.** Hvis det holdes i hånden eller mod kroppen, er det ustabilt og kan føre til tab af kontrol.
- ◆ Får der bores i vægge, gulve eller lofter checkes ledningers og rørs placering.
- ◆ Man skal undgå at røre borespidsen lige efter, at man har boret, idet den kan være varm.
- ◆ Dette apparat er ikke egnet for at brug af personer (inklusive børn) med manglende evner, eller viden omkring produktet med mindre de har modtaget undervisning eller instruktioner i brug af apparatet fra en person, som er ansvarlig for sikkerheden. Der skal være opsyn med børn for at sikre, at de ikke leger med maskinen.
- ◆ Det formål, som dette værktøj er beregnet til, er beskrevet i denne brugsanvisning. Brug af andet tilbehør eller udførelse af en anden opgave med dette værktøj end de her anbefalede kan medføre risiko for personskader og/eller skader på materiel.

Vibration

De deklarerede vibrationsemissionsværdier, som er angivet i tekniske data og overensstemmelseserklæring er blevet udmålt i overensstemmelse med en standardtestmetode foreskrevet af EN 60745 og kan anvendes til at sammenligne et værktøj med et andet. De deklarerede vibrationsemissionsværdier kan ligeledes anvendes i en præliminær undersøgelse af eksponeringen.

Advarsel! Vibrationsemissionsværdien under den faktiske brug af værktøjet kan variere fra den deklarerede værdi, alt efter hvilken måde værktøjet anvendes på. Vibrationerne kan nå op på et niveau over det anførte.

Når vibrationseksponeringen undersøges med det formål at fastsætte sikkerhedsforanstaltningerne ifølge 2002/44/EF for at beskytte personer, som regelmæssigt anvender værktøjer i forbindelse med deres arbejde, bør en måling af vibrationseksponeringen betænke, den måde værktøjet anvendes på inklusive alle dele af arbejdsrytmen såsom tidspunkter, hvor værktøjet er slukket eller kører i tomgang, ud over det tidsrum hvor det anvendes.

Etiketter på værktøjet

Følgende piktogrammer ses på værktøjet:



Advarsel! For at mindske risikoen for skader skal brugeren læse instruktionsmanualen.

Yderligere sikkerhedsanvisninger til batterier og opladere

Batterier

- ◆ Man må aldrig forsøge at åbne et batteri.
- ◆ Udsæt det ikke for vand.
- ◆ Det må ikke opbevares i et lokale, hvor temperaturen overstiger 40 °C.
- ◆ Batteriet må kun oplades ved omgivelsestemperaturer mellem 10 °C og 40 °C.
- ◆ Oplad kun med den vedlagte oplader.
- ◆ Ved kassering af batterier, skal man følge vejledningen i afsnittet "Beskyttelse af miljøet".



Oplad ikke beskadigede batterier.

Opladere

- ◆ Din Black & Decker lader må kun benyttes til Black & Decker batterier af samme slags som dem, der fulgte med værktøjet. Andre batterier kan eksplodere og derved forårsage personskader og skader på ting.
- ◆ Man må aldrig forsøge at genoplade ikke-opladelige batterier.
- ◆ Defekte ledninger skal straks udskiftes.
- ◆ Udsæt ikke opladeren for vand.
- ◆ Opladeren må ikke åbnes.
- ◆ Opladeren må ikke manipuleres.



Opladeren er kun beregnet til indendørs brug.



Læs brugsanvisningen, før du tager værktøjet i brug.



Opladeren afbrydes automatisk, hvis den omgivende temperatur bliver for høj. Så snart den omgivende temperatur er faldet, vil opladeren genoptage funktionen.



Batteriet er for varmt



Batteriet må kun oplades ved omgivelsestemperaturer mellem 10 °C og 40 °C.



Opladningsprocessen er fuldstændt (vedvarende grønt lys)



Opladning (blinkende grønt lys)



Defekt batteri



Lav strømtilførsel

El-sikkerhed



Din oplader er dobbelt isoleret. Derfor er jordledning ikke nødvendig. Før brug skal det kontrolleres, at netspændingen svarer til den, der er angivet på typeskiltet. Forsøg aldrig at udskifte opladerenheden med et almindeligt netstik.

- ◆ Hvis el-ledningen er skadet, skal den udskiftes af producenten eller et autoriseret Black & Decker servicecenter for at undgå ulykker.

Funktioner

Dette værktøj har nogle af eller alle følgende funktioner.

1. Afbryder med variabel hastighedskontrol
2. Forlæns/baglæns-skyder
3. Borepatron
4. Funktionsvælger / krave til vridmomentjustering
5. Gearskift
6. Bitholder
7. Batteri

Fig. A

8. Lader
9. Opladerholder
10. Opladningsindikator - "ladning i gang"

Montering

Advarsel! Før montering skal batteriet altid afmonteres.

Isætning og udtagning af batteriet (fig. B)

- ◆ Sæt batteriet (7) i ved at placere det på linje med værktøjets batteriholder. Dernæst placeres batteriet i holderen og skubbes på plads.
- ◆ Tag batteriet ud ved at trykke på udløserknappen (11) samtidig med, at batteriet tages ud af batteriholderen.

Montering af batterihætten (fig. C)

Advarsel! Sæt hætten (12) på batteriet (7) ved transport og opbevaring.

Montering og demontering af en bore- eller skruetrækkerbit (fig. D)

Værktøjet er udstyret med en selvspændende patron for at lette udskiftning af bits.

- ◆ Fastlås værktøjet ved at sætte fremad/bagud omskifteren (2) i midterposition.
- ◆ Åbn patronen ved at dreje manchetten (13) med den ene hånd, mens værktøjet holdes med den anden.
- ◆ Sæt bittens skaft (14) ind i patronen.
- ◆ Spænd patronen grundigt ved at dreje manchetten (13) med den ene hånd, mens værktøjet holdes med den anden.

Værktøjet leveres med en dobbelt skruetrækkerbit i bitholderen (6).

- ◆ For at fjerne skruetrækkerbitsen fra bitholderen skal den løftes ud af holderen.
- ◆ For at opbevare skruetrækkerbitsen skubbes den ind i holderen.

Anvendelse

Advarsel! Lad værktøjet arbejde i dets eget tempo. Det må ikke overbelastes.

Opladning af batteriet (fig. A)

Advarsel! Batteriet må ikke oplades i omgivelsestemperaturer på under 10 °C eller over 40 °C. Anbefalet opladningstemperatur: ca. 24 °C.

Bemærk: Opladeren vil ikke oplade et batteri, hvis cellens temperatur er lavere end cirka 0 °C eller højere end 60 °C. Batteriet bør efterlades i opladeren, og opladeren vil så automatisk begynde at oplade, når cellens temperatur stiger eller falder.

- ◆ Sæt opladeren (8) i stikket og tænd for kontakten.
- ◆ Sæt batteriet (7) i opladeren. Man skal sikre sig, at batteriet er fuldstændigt indsat i opladeren (8).

Opladeindikatoren (10) blinker nu gentagne gange (langsomt). Opladningen er fuldført, når opladeindikatoren (10) bliver ved med at lyse. Opladeren og batteriet kan være tilsluttet på ubestemt tid, mens lysdioden lyser. Lysdioden vil gå over til at blinke (opladning), hvis opladeren går over til kortvarigt at lade den sidste del af batteriet op. Opladningsindikatoren (10) lyser, så længe batteriet er tilsluttet den tændte oplader.

- ◆ Oplad flade batterier inden for 1 uge. Batteriets levetid vil falde betragteligt, hvis det opbevares i uopladt tilstand.

Opladningsindikatorer

Hvis opladeren opdager, at der er et problem med batteriet, vil opladningsindikatoren (10) blinke hurtigt. Gør som følger:

- ◆ Sæt batteriet (7) på plads igen.
- ◆ Hvis opladeindikatorerne fortsætter med at blinke hurtigt, så brug et andet batteri til at bestemme, om opladeprocessen virker som den skal.

- ◆ Hvis det nye batteri oplades, som det skal, er det oprindelige batteri defekt og bør returneres til en genbrugsplads for at blive genbrugt.
- ◆ Hvis det nye batteri afgiver samme indikation som det oprindelige batteri, så få opladeren testet hos et autoriseret servicecenter.

Bemærk: Det kan tage op til 15 minutter at bestemme, om batteriet er defekt. Hvis batteriet er for varmt eller for koldt, vil lysdioden skiftevis blinke langsomt og hurtigt - et blink ved hver hastighed og derefter gentage det.

Valg af rotationsretning (fig. E)

Til boring og stramning af skrue benyttes fremadrotation (med uret). Til løsning af skrue eller fjernelse af blokerede borebits bruges bagudrotation (mod uret).

- ◆ Vælg fremadrotation ved at skubbe fremad/bagud omskifteren (2) til venstre.
- ◆ Vælg bagudrotation ved at skubbe fremad/bagud omskifteren til højre.
- ◆ For at låse værktøjet sættes højre/venstre omskifteren i midten.

Valg af funktionstilstand eller vridmoment (fig. F)

Værktøjet er udstyret med en krave til valg af funktionstilstanden og til indstilling af vridmomentet til stramning af skrue. Store skrue og hårde arbejdsemner kræver en højere vridmomentindstilling end små skrue og bløde arbejdsemner. Kraven har mange indstillinger til ethvert behov.

- ◆ Hvis man vil bore i træ, metal og plastic, indstilles kraven (4) på borepositionen ved at sætte **2** ud for markeringen (15).
- ◆ Til skruetrækning indstilles kraven på den ønskede position. Hvis ikke man kender den korrekte indstilling, skal man gå frem som angivet nedenfor:
 - Indstil kraven (4) på det laveste vridmoment.
 - Stram den første skrue.
 - Hvis ikke man opnår det ønskede resultat, øges kravens indstilling, og man fortsætter med at stramme skruen. Proceduren gentages, indtil man opnår det ønskede resultat. Denne indstilling benyttes til resten af skrueerne.

HP148F4L/HP188F4 - Boring i murværk (fig. F & G)

- ◆ Hvis man vil bore i murværk, indstilles kraven (4) på slagborepositionen ved at sætte **T** ud for markeringen (15).
- ◆ Skyd to-gearsælgeren (5) hen mod forenden af værktøjet (2. gear).

Vælger med to gear (fig. G)

- ◆ Skyd gearskifteren (5) hen mod bagenden af værktøjet (1. gear) for at bore i stål og for at skrue skrue i.

- ◆ Skyd gearskifteren (5) hen mod forenden af værktøjet (2. gear) for at bore i alle andre materialer end stål.

Boring/skruetrækning

- ◆ Man vælger forlæns- eller baglænsrotation ved hjælp af forlæns/baglæns-skyderen (2).
- ◆ For at tænde værktøjet trykkes på afbryderen (1). Værktøjets hastighed afhænger af, hvor langt ind man trykker afbryderen.
- ◆ Sluk for værktøjet ved at slippe afbryderkontakten.

Gode råd til optimalt brug

Boring

- ◆ Man skal altid trykke let nedad i lige linie med borebit'en.
- ◆ Lige før borespidsen går igennem arbejdsemnets bagside, lattes trykket på værktøjet.
- ◆ Benyt en træklods til at støtte bagsiden af arbejdsemner, som kan splintre.
- ◆ Benyt spadebits, når der bores huller med stor diameter i træ.
- ◆ Benyt HSS borebits, når der bores i metal.
- ◆ Benyt murbor til boring i blødt murværk.
- ◆ Benyt smøremiddel, når der bores i metal, som ikke er støbejern eller messing.
- ◆ Lav et prøvehul ved at benytte en kørner i centrum af det hul, som skal bores, for således at forbedre nøjagtigheden.

Anvendelse som skruetrækker

- ◆ Man skal altid benytte skruetrækkerbits af korrekt type og størrelse.
- ◆ Hvis skrueene er svære at stramme, kan man påsmøre en smule sæbe som smøremiddel.
- ◆ Værktøjet og skruetrækkerbit'en skal altid holdes lige på skruen.

Vedligeholdelse

Black & Decker værktøjet er blevet designet til at være i drift gennem en længere periode med en minimal vedligeholdelse. Fortsat tilfredsstillende drift afhænger af korrekt behandling af værktøjet samt regelmæssig rengøring.

Opladeren kræver ingen anden vedligeholdelse end regelmæssig rengøring.

Advarsel! Før udførelse af vedligeholdelsesopgaver på værktøjet, skal batteriet fjernes. Tag opladeren ud af stikkontakten, før den rengøres.

- ◆ Man skal regelmæssigt rengøre værktøjets ventilationshuller og oplader med en blød børste eller en tør klud.

- ◆ Man skal regelmæssigt gøre motorhuset rent med en fugtig klud. Man må ikke bruge slibemidler eller opløsningsmidler.
- ◆ Man skal regelmæssigt åbne patronen og banke den let for at fjerne støv fra dens indre.

Beskyttelse af miljøet



Separat indsamling. Dette produkt må ikke bortskaffes sammen med almindeligt husholdningsaffald.

Hvis du en dag skal udskifte dit Black & Decker produkt, eller hvis du ikke skal bruge det længere, må du ikke bortskaffe det sammen med husholdningsaffald. Dette produkt skal være tilgængeligt for separat indsamling.



Separat indsamling af brugte produkter og emballage gør det muligt at genbruge materialer. Genbrugte materialer forebygger miljøforurening og nedbringer behovet for råstoffer.

Lokale regler kan give mulighed for separat indsamling af elektriske husholdningsprodukter på kommunale lossepladser eller hos den forhandler, som du købte produktet af.

Black & Decker har en facilitet til indsamling og genbrug af Black & Decker-produkter, når deres levetid er slut. Få fordelene ved denne service ved at returnere produktet til en autoriseret tekniker, der samler værktøj sammen på vores vegne.

Du kan få oplyst den nærmeste autoriserede tekniker ved at kontakte det lokale Black & Decker-kontor på den adresse, der er angivet i denne brugsanvisning. Alternativt findes der en liste over autoriserede Black & Decker-teknikere og oplysninger om vores eftersalgsservice og kontaktpersoner på Internettet på adressen: www.2helpU.com

Batterier



Black & Decker batterier kan oplades mange gange. Ved endt teknisk levetid skal man kassere dem med omtanke for miljøet:

- ◆ Aflad batteriet fuldstændigt, og fjern det derefter fra værktøjet.
- ◆ NiCd-, NiMH- og Li-Ion-batterier kan genbruges. Bring dem til en autoriseret tekniker eller en lokal genbrugscentral.

Tekniske data

	HP146F4L	HP148F4L
Spænding	V _{DC} 14,4	14,4
Ubelastet hastighed	min ⁻¹ 0-350/0-1.200	0-350/0-1.200
Maks. vridmoment	Nm 28	29
Patronkapacitet	mm 13	13

Maks. borekapacitet			
stål/træ/murværk	mm	13/19	13/19/13
Kat. nr. batteri		A1114L	A1114L
Vægt (uden batteri)	kg	1,33	1,38

		HP186F4L	HP188F4L
Spænding	V _{DC}	18	18
Ubelastet hastighed	min ⁻¹	0-350/0-1.200	0-350/0-1.200
Maks. vridmoment	Nm	33	34
Patronkapacitet	mm	13	13
Maks. borekapacitet			
stål/træ/murværk	mm	13/25	13/25/13
Kat. nr. batteri		A1118L	A1118L
Vægt (uden batteri)	kg	1,33	1,38

Batteri		A1114L	A1118L
Spænding	V _{DC}	14,4	18
Kapacitet	Ah	1,1	1,1
Vægt	kg	0,37	0,44

Lader		
Spænding	V _{AC}	230
Opladningstid (ca.)	h	1
Vægt	kg	0,55

EU overensstemmelseserklæring

HP146F4L H1/HP148F4L H1/HP186F4L H1/HP188F4L H1
Black & Decker erklærer, at disse produkter er i
overensstemmelse med følgende:
98/37/EF, EN 60745

Lydniveauet i henhold til EN 60745:

Lydtryk (L_{pA}) 87,7 dB(A), usikkerhed (K) 3 dB(A)
Lydintensitet (L_{WA}) 98,7 dB(A), usikkerhed (K) 3 dB(A)

Vibrationernes totale værdi (triax vector sum) i henhold til
EN 60745:

Slagboring i beton (a_{n, ID}) 17,7 m/s², usikkerhed (K) 1,5 m/s²
Slagboring i metal (a_{n, D}) 1,32 m/s², usikkerhed (K) 1,5 m/s²
Skruining uden kraft (a_{n, S}) 0,65 m/s², usikkerhed (K) 1,5 m/s²

Undertegnede er ansvarlig for kompilering af den tekniske fil
og laver denne deklaration på vegne af Black & Decker.



Kevin Hewitt
Director of Consumer Engineering
Spennymoor, County Durham DL16 6JG,
Storbritannien
25-5-2009

Reserve dele / reparationer

Reserve dele kan købes hos autoriserede Black & Decker serviceværksteder, som giver forslag til omkostninger og reparerer vore produkter. Oversigt over vore autoriserede værksteder findes på internettet på vor hjemmeside www.blackanddecker.dk samt www.2helpU.com

Garanti

Black & Decker garanterer, at produktet er fri for materielle skader og/eller fabriktionsfejl ved levering til kunden. Garantien er et tillæg til konsumentens lovlige rettigheder og påvirker ikke disse. Garantien gælder indenfor medlemsstaterne af den Europæiske Union og i det Europæiske Frihandelsområde.

Hvis et Black & Decker produkt går i stykker på grund af materiel skade og/eller fabriktionsfejl eller på anden måde ikke fungerer i overensstemmelse med specifikationen, inden for 24 måneder fra købsdatoen, påtager Black & Decker sig at reparere eller ombytte produktet med mindst muligt besvær for kunden.

Garantien gælder ikke for fejl og mangler, der er sket i forbindelse med:

- ◆ normal slitage
- ◆ uheldige følger efter unormal anvendelse af værktøjet
- ◆ overbelastning, hævrværk eller overdrevent intensivt brug af værktøjet
- ◆ ulykkeshændelse

Garantien gælder ikke hvis reparationer er udført af nogen anden end et autoriseret Black & Decker værksted.

For at udnytte garantien skal produktet og købskvitteringen indleveres til forhandleren eller til et autoriseret værksted, senest 2 måneder efter at fejlen opdages. For information om nærmeste autoriserede værksted: kontakt det lokale Black & Decker kontor på den adresse som er opgivet i brugsanvisningen. Liste over alle autoriserede Black & Decker serviceværksteder samt servicevilkår er tilgængelig på internettet, på adressen www.2helpU.com

Gå venligst ind på vores website www.blackanddecker.dk for at registrere dit nye produkt og for at blive holdt ajour om nye produkter og specialtilbud. Der findes yderligere oplysninger om mærket Black & Decker og vores produktsortiment på adressen www.blackanddecker.dk

Käyttötarkoitus

Black & Deckerin porakone/ruuvinväänin on suunniteltu ruuvaamiseen sekä puun, metallin, muovien ja betonin poraamiseen. Kone on tarkoitettu kotikäyttöön.

Turvaohjeet

Yleiset sähkötyökalujen turvallisuusohjeet



Varoitus! Kaikki ohjeet täytyy lukea. Alla olevien ohjeiden noudattamisen laiminlyönti saattaa johtaa sähköiskuun, tulipaloon ja/tai vakavaan loukkaantumiseen.

Säilytä nämä ohjeet hyvin. Seuraavassa käytetty käsite "sähkötyökalu" käsittää verkkokäyttöiset sähkötyökalut (verkkojohdolla) ja paristokäyttöiset sähkötyökalut (ilman verkkojohdtoa).

1. Työpisteen turvallisuus

- Pidä työskentelyalue puhtaana ja hyvin valaistuna.** Epäjärjestyksessä olevilla ja valaisemattomilla työalueilla voi tapahtua tapaturmia.
- Älä työskentele sähkötyökalulla räjähdysalttiissa ympäristössä, jossa on palavaa nestettä, kaasua tai pölyä.** Sähkötyökalu muodostaa kipinöitä, jotka saattavat sytyttää pölyn tai höyryt.
- Pidä lapset ja sivulliset loitolla sähkötyökalua käyttäessäsi.** Voit menettää laitteesi hallinnan huomiosi suuntautuessa muualle.

2. Sähköturvallisuus

- Sähkötyökalun pistotulpan tulee sopia pistorasiaan.** Pistotulppaa ei saa muuttaa millään tavalla. Älä käytä minkäänlaisia sovittinpistokkeita maadoitettujen sähkötyökalujen kanssa. Alkuperäisessä tilassa olevat pistotulpat ja sopivat pistorasiat vähentävät sähköiskun vaaraa.
- Vältä koskettamasta maadoitettuja pintoja, kuten putkia, pattereita, liesiä tai jääkaappeja.** Sähköiskun vaara kasvaa, jos kehosi on maadoitettu.
- Älä altista sähkötyökalua sateelle tai kosteudelle.** Veden tunkeutuminen sähkötyökalun sisään kasvattaa sähköiskun riskiä.
- Älä käytä verkkojohtoa väärin. Älä käytä sitä sähkötyökalun kantamiseen, vetämiseen tai pistotulpan irrottamiseen pistorasiasta.** Pidä johto loitolla kuumuudesta, öljystä, terävistä reunoista ja liikkuvista osista. Vahingoittuneet tai sokeutuneet johdot kasvattavat sähköiskun vaaraa.
- Käyttäessäsi sähkötyökalua ulkona, käytä ainoastaan ulkokäyttöön soveltuvaa jatkojohtoa.** Ulkokäyttöön soveltuvan jatkojohdon käyttö pienentää sähköiskun vaaraa.

- Jos sähkötyökalua joudutaan käyttämään kosteassa ympäristössä, käytä aina jännönsvirtalaitteella (RCD) suojattua virtalähdettä.** Jännönsvirtalaitteen käyttö vähentää sähköiskun vaaraa.

3. Henkilöturvallisuus

- Ole valpas, kiinnitä huomiota työskentelyysi ja noudata tervettä järkeä sähkötyökalua käyttäessäsi. Älä käytä sähkötyökalua, jos olet väsynyt tai huumeiden, alkoholin tai lääkkeiden vaikutuksen alaisena.** Hetken tarkkaamattomuus sähkötyökalua käytettäessä saattaa johtaa vakavaan loukkaantumiseen.
- Käytä suojavarusteita. Käytä aina suojalaseja.** Suojavarusteet, kuten pölynsuojanaamari, luistamattomat turvajalkineet, kypärä ja kuulosuojaimet pienentävät, tilanteen mukaan oikein käytettynä, loukkaantumisriskiä.
- Vältä sähkötyökalun tahatonta käynnistämistä. Varmista, että käynnistyskytkin on asennossa "off", ennen kuin kytket pistotulpan pistorasiaan tai kannat sähkötyökalua.** Jos kannat sähkötyökalua sormi käynnistyskytkimellä tai kytket sähkötyökalun pistotulpan pistorasiaan, käynnistyskytkimen ollessa käyntiasennossa, altistat itsesi onnettomuuksille.
- Poista kaikki säätötyökalut ja ruuvitaltat, ennen kuin käynnistät sähkötyökalun.** Laitteen pyöriivään osaan jäänyt työkalu tai avain saattaa johtaa loukkaantumiseen.
- Älä kurkota. Seiso aina tukevasti ja tasapainossa.** Täten voit paremmin hallita sähkötyökalua odottamattomissa tilanteissa.
- Käytä tarkoitukseen soveltuvia vaatteita. Älä käytä löysiä työvaatteita tai koruja. Pidä hiukset, vaatteet ja käsineet loitolla liikkuvista osista.** Väljät vaatteet, korut ja pitkät hiukset voivat takertua liikkuviin osiin.
- Jos polynimu- ja keräilylaitteita voidaan asentaa työkaluun, sinun pitää tarkistaa, että ne on liitetty ja että niitä käytetään oikealla tavalla.** Näiden laitteiden käyttö vähentää pölyn aiheuttamia vaaroja.

4. Sähkötyökalujen käyttö ja hoito

- Älä ylikuormita sähkötyökalua. Käytä kyseiseen työhön tarkoitettua sähkötyökalua.** Sopivaa sähkötyökalua käyttäen työskentelet paremmin ja varmemmin tehoalueella, jolle sähkötyökalu on tarkoitettu.
- Älä käytä sähkötyökalua, jota ei voida käynnistää ja pysäyttää virtakytkimestä.** Sähkötyökalu, jota ei enää voida käynnistää ja pysäyttää käynnistyskytkimellä, on vaarallinen ja se täytyy korjata.
- Irrota pistotulppa pistorasiasta, ennen kuin suoritat säätöjä, vaihdat tarvikkeita tai siirät sähkötyökalun varastoitavaksi.** Nämä turvatoimenpiteet laskevat sähkötyökalun tahatonta käynnistysriskiä.

- d. Säilytä sähkötyökalut poissa lasten ulottuvilta, kun niitä ei käytetä. Älä anna sellaisten henkilöiden käyttää sähkötyökalua, jotka eivät tunne sitä tai jotka eivät ole lukeneet tätä käyttöohjetta. Sähkötyökalut ovat vaarallisia, jos niitä käyttävät kokemattomat henkilöt.
- e. Hoida sähkötyökalusi huolella. Tarkista, että liikkuvat osat toimivat moitteettomasti, eivätkä ole puristuksessa ja että työkalussa ei ole murtuneita tai vahingoittuneita osia, jotka saattaisivat vaikuttaa haitallisesti sen toimintaan. Korjauta mahdolliset viat ennen käyttöönottoa. Moni tapaturma aiheutuu huonosti huolletuista laitteista.
- f. Pidä leikkausterät terävinä ja puhtaina. Huolellisesti hoidetut leikkaustyökalut, joiden terät ovat teräviä, eivät tartu helposti kiinni ja niitä on helpompi hallita.
- g. Käytä sähkötyökaluja, tarvikkeita, vaihtotyökaluja jne. näiden ohjeiden mukaisesti. Ota tällöin huomioon työolosuhteet ja suoritettava toimenpide. Sähkötyökalun käyttö muuhun kuin tarkoituksenmukaiseen käyttöön saattaa johtaa vaarallisiin tilanteisiin.
5. Akkukäyttöisten työkalujen käyttö ja hoito
- a. Lataa akku vain valmistajan määrittelemällä laturilla. Laturi, joka soveltuu määräntyyppiselle akulle, saattaa muodostaa tulipalovaaran erilaista akkua ladattaessa.
- b. Käytä sähkötyökalussa ainoastaan kyseiseen sähkötyökaluun tarkoitettua akkua. Jonkun muun akun käyttö saattaa johtaa loukkaantumiseen ja tulipaloon.
- c. Pidä irrallista akkua loitolla metalliesineistä, kuten paperinliittimistä, kolikoista, avaimista, nauloista, ruuveista tai muista pienistä metalliesineistä, jotka voivat oikosulkea akun koskettimet. Akun kosketinten välinen oikosulku saattaa aiheuttaa palovammoja tai johtaa tulipaloon.
- d. Väärästä käytöstä johtuen saattaa paristosta vuotaa nestettä, jota ei tule koskettaa. Jos nestettä vahingossa joutuu iholle, huuhtelee kosketuskohta vedellä. Jos nestettä pääsee silmiin, tarvitaan tämän lisäksi lääkärin apua. Paristosta vuotava neste saattaa aiheuttaa ärsytystä ja palovammoja.
6. Huolto
- a. Anna koulutettujen ammattitaitoisten henkilöiden korjata sähkötyökalusi ja hyväksy korjauksiin vain alkuperäisiä varaosia. Täten varmistat, että sähkötyökalu säilyy turvallisena.

Sähkötyökalujen lisäturvallisuusohjeet



Varoitus! Porakoneiden ja iskuporakoneiden lisäturvallisuusohjeet

- ◆ Käytä kuulonsuojaimia iskuporakoneiden käytön yhteydessä. Altistuminen melulle voi aiheuttaa kuulovaurioita.
- ◆ Käytä koneen varusteisiin kuuluvia lisäkahvoja. Koneen hallinnan menetys voi aiheuttaa loukkaantumisen.
- ◆ Käsittele sähkötyökalua eristävien tartuntapintojen avulla kun teet työtä jossa leikkaustarvikke voi joutua kosketuksiin piilossa olevien sähköjohtojen tai oman virtajohtonsa kanssa. Jännitteiseen johtimeen koskettava leikkaustarvikke saattaa tehdä työkalun paljaista metalliosista jännitteisiä ja aiheuttaa sähköiskun käyttäjälle.
- ◆ Käytä ruuvipuristimia tai vastaavaa keinoa, jolla saat kiinnitettyä ja tuettua työkalupaleen tukevalle alustalle. Työkappaleen kannattelemisen käsin tai tukeminen keho vasten voi johtaa kappaleen irtoamiseen ja vaaratilanteen syntymiseen.
- ◆ Ennen seinien, lattioiden tai kattojen poraamista tarkista sähköjohtojen ja putkistojen sijainnit.
- ◆ Vältä poranterän koskettamista heti poraamisen jälkeen, sillä se saattaa olla kuuma.
- ◆ Henkilöt (lapset mukaan lukien), joilla on fyysisiä, tunnollisia tai henkisiä rajoituksia tai rajallinen kokemus ja tuntemus, eivät saa käyttää tätä laitetta ellei heidän turvallisuudesta vastaava henkilö valvo tai ohjaa heitä laitteen käytössä. Lapsia on valvottava, etteivät he leiki koneen kanssa.
- ◆ Käyttö, johon työkalu on tarkoitettu, on kuvailtu tässä käyttöohjeessa. Käytä vain käyttöohjeessa ja tuotekuvastossa suositeltuja tarvikkeita ja lisälaitteita. Ohjeesta poikkeava käyttö voi aiheuttaa onnettomuuden ja/tai aineellisia vahinkoja.

Tärinä

Käyttöohjeen teknisissä tiedoissa ja vaatimustenmukaisuusvakuutuksessa ilmoitetut tärinän päästöarvot on mitattu EN 60745-normin vakioiden testimenetelmän mukaisesti ja niitä voidaan käyttää työkalun vertaamisessa toiseen. Ilmoitettua tärinän päästöarvoa voidaan myös käyttää altistumisen arviointiin ennakkolta.

Varoitus! Sähkötyökalun tärinän päästöarvo voi varsinaisen käytön aikana poiketa ilmoitetusta arvosta riippuen siitä, millä tavalla työkalua käytetään. Tärinän taso voi kohota ilmoitetun tason yläpuolelle.

Kun tärinälle altistumista arvioidaan, jotta voidaan määrittää 2002/44/EY-direktiivin edellyttämät turvatoimenpiteet säännöllisesti sähkötyökaluja työssä käyttävien henkilöiden suojelemiseksi, tärinälle altistumisen arvion tulee ottaa huomioon varsinaiset käyttöolosuhteet ja työkalun käyttötavan, johon sisältyy kaikkien käyttöjakson osien huomioon ottaminen, kuten ajat, jolloin työkalu on pois päältä tai kun se käy joutokäyntiä sekä käynnistysajan.

Koneessa olevat merkit

Koneessa on seuraavat kuvamerkinnot:



Varoitus! Loukkaantumisen vaaran ehkäisemiseksi käyttäjän on luettava käyttöohjeet.



Viallinen akku



Alhainen verkkovirta

Lisäturvaohjeet akuille ja latureille

Akut

- ◆ Älä koskaan yritä avata akkua.
- ◆ Älä altista akkua vedelle.
- ◆ Älä säilytä akkua paikassa, jonka lämpötila saattaa ylittää 40 °C.
- ◆ Lataa akku ainoastaan lämpötilan ollessa 10 °C ja 40 °C.
- ◆ Lataa akku käyttäen ainoastaan laitteen mukana toimitettua laturia.
- ◆ Kun poistat akun käytöstä, noudata kappaleessa "Ympäristö" annettuja ohjeita.



Älä koskaan yritä ladata viallisia akkuja.

Laturit

- ◆ Käytä Black & Decker -laturia ainoastaan laitteen mukana toimitetun akun lataamiseen. Muunlaiset akut saattavat räjähtää aiheuttaen henkilö- ja esinevahinkoja.
- ◆ Älä koskaan yritä ladata ei-ladattavia akkuja.
- ◆ Vaihda vialliset johdot välittömästi.
- ◆ Älä altista laturia vedelle.
- ◆ Älä avaa laturia.
- ◆ Älä vahingoita laturia.



Laturi on tarkoitettu vain sisäkäyttöön.



Lue käyttöohje huolellisesti ennen käyttöä.



Kun ympäristön lämpötila kohoaa liian korkeaksi, laturi kytkeytyy automaattisesti pois päältä. Kun ympäristön lämpötila on taas laskenut, laturin toiminta jatkuu.



Akkua liian kuuma



Lataa akku ainoastaan lämpötilan ollessa 10 °C ja 40 °C.



Lataus suoritettu loppuun (vihreä vakiovalo)



Lataus käynnissä (vilkkuva vihreä valo)



Laturi on kaksoiseristetty; siksi erillistä maadoitusta ei tarvita. Tarkista aina ennen laitteen käyttöä, että verkkojännite vastaa arvokilvessä ilmoitettua jännitettä. Älä koskaan yritä vaihtaa laturia normaaliin verkkovirtapistokkeeseen.

- ◆ Jos sähköjohto on vaurioitunut, se saadaan vaihtaa vain valtuutetussa Black & Deckerin huoltoliikkeessä vaaratilanteiden välttämiseksi.

Ominaisuudet

Tällä koneella on kaikki tai joitakin seuraavista ominaisuuksista.

1. Virrankatkaisija portaattomalla nopeudensäädöllä
2. Suunnanvaihtokytkin
3. Istukka
4. Porausasenon valitsin / vääntömomentin säädin
5. Vaihteenvaihtosin
6. Terän pidike
7. Akku

Kuva A

8. Laturi
9. Laturiliitäntä
10. Latausvalo - lataus käynnissä

Kokoaminen

Varoitus! Poista akku koneesta aina ennen kokoamista.

Akun kiinnitys ja poisto (kuva B)

- ◆ Kiinnitä akku (7) asettamalla se työkalun liitännän kanssa samaan linjaan. Liu'uta akkua liittäntään, kunnes se lukittuu paikalleen.
- ◆ Poista akku painamalla vapautusnappia (11) samanaikaisesti, kun vedät akun irti.

Akun kannen kiinnittäminen (kuva C)

Varoitus! Kiinnitä kansi (12) akkuun (7) kuljetusta ja säilytystä varten.

Poranterien ja ruuvitaltojen kiinnitys ja poisto (kuva D)

Koneessa on pikaistukka, jonka avulla terien vaihtaminen on helppoa.

- ◆ Lukitse työkalu laittamalla suunnanvaihtokytkin (2) keskiasentoon.

- ◆ Avaa istukka kiertämällä pidikettä (13) toisella kädellä samalla, kun pidät toisella kädellä kiinni työkalusta.
- ◆ Laita tarvike (14) istukkaan.
- ◆ Kiristä istukka kiertämällä pidikettä (13) toisella kädellä samalla, kun pidät toisella kädellä kiinni työkalusta.

Koneen ruuvitaltan pidikkeessä (6) on kaksipäinen ruuvitaltta.

- ◆ Irrota ruuvitaltta poistamalla se pidikkeestä.
- ◆ Laita ruuvitaltta takaisin painamalla se kunnolla pidikkeeseen.

Käyttö

Varoitus! Anna koneen käydä omaan tahtiinsa. Älä ylikuormita sitä.

Akun lataaminen (kuva A)

Varoitus! Älä lataa akkua alle 10 °C tai yli 40 °C asteen lämpötiloissa. Suositeltava latauslämpötila: noin 24 °C.

Huomautus: Laturi ei lataa akkua, jos kennon lämpötila on alle 0 °C tai yli 60 °C. Akku on jätettävä laturiin ja laturi käynnistää latauksen automaattisesti silloin, kun kennon lämpötila nousee tai laskee.

- ◆ Kytke laturi (8) verkkovirtaan ja kytke se päälle.
- ◆ Aseta akku (7) laturiin. Varmista, että akku on kunnolla laturissa (8).

Latauksen merkkivalo (10) vilkkuu jatkuvasti (hitaasti). Lataus on suoritettu loppuun silloin, kun latauksen merkkivalo (10) palaa jatkuvasti. Laturi ja akku voidaan jättää kytketyiksi ilman aikarajoitusta LED-valon palaessa. LED-valo alkaa vilkkumaan (lataus käynnissä) laturin täyttyessä akun silloin tällöin. Latauksen merkkivalo (10) palaa niin kauan kuin laite on kytkettyä laturiin.

- ◆ Lataa tyhjat akut 1 viikon sisällä. Akun käyttöikä vähenee huomattavasti, jos sitä säilytetään tyhjänä.

Latauksen merkkivalot

Jos laturi havaitsee akussa jonkin ongelman, latauksen merkkivalo (10) vilkkuu nopeaan tahtiin. Toimi seuraavasti:

- ◆ Aseta akku (7) uudelleen paikoilleen.
- ◆ Jos latauksen merkkivalot vilkkuvat edelleen nopeasti, kokeile ladata toista akkua varmistaaksesi, että latausprosessi on virheetön.
- ◆ Jos laturi lataa toista akkua virheettömästi, ensimmäinen akku on viallinen ja se tulee palauttaa huoltoliikkeeseen sen kierrätystä varten.
- ◆ Jos uuden akun kohdalla käy samoin kuin ensimmäisen, vie laturi testattavaksi valtuutettuun huoltoliikkeeseen.

Huomautus: Akkuvikojen määrittämiseen voi mennä jopa 15 minuuttia. Jos akku on liian kuuma tai kylmä, LED-merkkivalo vilkkuu vuorottain nopeasti ja hitaasti yhden kerran.

Pyörimissuunnan valitseminen (kuva E)

Käytä eteenpäin (myötäpäivään) suuntautuvaa pyörimisliikettä poraamiseen ja ruuvien kiristämiseen. Käytä taaksepäin (vastapäivään) suuntautuvaa pyörimisliikettä ruuvien tai jumiutuneen poran terän irrottamiseen.

- ◆ Valitaksesi pyörimissuunnan eteenpäin siirrä suunnanvaihtokytkintä (2) vasemmalle.
- ◆ Kun haluat vaihtaa pyörimissuunnan taaksepäin, siirrä suunnanvaihtokytkintä oikealle.
- ◆ Lukitse kone asettamalla suunnanvaihtokytkin keskiasentoon.

Porausasennon ja vääntömomentin valitseminen (kuva F)

Koneessa on säädin, jolla valitaan porausasento tai vääntömomentti ruuvien kiristämistä varten. Isot ruuvit ja kovat materiaalit vaativat suuremman momentin kuin pienet ruuvit ja pehmeät materiaalit. Säätimessä on monia valintamahdollisuuksia eri käyttötarkoituksia varten.

- ◆ Jos aiot porata puuta, metallia tai muoveja, aseta säädin (4) porausasentoon siirtämällä merkki **2** kohdakkain nuolen (15) kanssa.
- ◆ Ruuvaamista varten aseta säädin haluttuun momenttiin. Jos et tiedä vielä oikeaa momenttiasetusta, toimi seuraavalla tavalla:
 - Aseta säädin (4) pienimmälle momentille.
 - Kiristä ensimmäinen ruuvi.
 - Jos momentti ei riitä ruuvien ruuvaukseen, lisää momenttia ja jatka ruuvien kiristämistä. Toista toimenpide, kunnes löydät oikean momentin. Käytä samaa momenttia jäljellä olevien ruuvien kiristämiseen.

HP148F4L/HP188F4 - Betonin poraus (kuva F & G)

- ◆ Jos aiot porata betonia, aseta säädin (4) iskuporausasentoon siirtämällä merkki **T** kohdakkain nuolen (15) kanssa.
- ◆ Siirrä vaihteenvaihtinta (5) eteenpäin koneen etuosaa kohti (2. vaihde).

Vaihteen säädin (kuva G)

- ◆ Jos aiot porata terästä tai ruuvata, siirrä säädintä (5) koneen takaosaa kohti (1. vaihde).
- ◆ Jos aiot porata muuta kuin terästä, siirrä säädintä (5) koneen etuosaa kohti (2. vaihde).

Poraus ja ruuvaus

- ◆ Valitse suunnanvaihtokytkimellä (2) pyörimissuunnaksi eteen- tai taaksepäin.
- ◆ Käynnistä kone painamalla virrankatkaisijaa (1). Koneen nopeus riippuu siitä, kuinka paljon virrankatkaisijaa painetaan.
- ◆ Sammuuta kone päästämällä irti kytkimestä.

Vinkkejä parhaimman tuloksen saamiseksi

Poraus

- ◆ Paina terää kevyesti suoraan työstökappaletta kohti.
- ◆ Vähennä koneen painamista juuri ennen kuin terän kärki tulee ulos työstökappaleen toiselta puolelta.
- ◆ Käytä puunpalaa työstökappaleen alla halkeilun estämiseksi.
- ◆ Käytä litteää puuporanterää poratessasi suuria reikiä puuhun.
- ◆ Käytä HSS-teriä (pikaterästeriä) poratessasi metallia.
- ◆ Käytä betoniteriä poratessasi betonia.
- ◆ Käytä voiteluainetta poratessasi muita metalleja kuin valurautaa tai messinkiä.
- ◆ Tee pistepuikolla aloitusreikä porattavan reiän keskikohtaan, niin porauksen tarkkuus paranee.

Ruuvaus

- ◆ Käytä aina oikean mallista ja -kokoista ruuvinväänintä.
- ◆ Jos ruuvi on hankala kiristää, voidaan voiteluaineena käyttää hiukan nestemäistä pesuainetta tai saippuaa.
- ◆ Pidä konetta ja ruuvinväänintä aina kohtisuorassa ruuviin nähden.

Huolto

Black & Deckerin kone on suunniteltu toimimaan mahdollisimman pitkän aikaa mahdollisimman vähällä huollolla. Oikealla huollolla ja säännöllisellä puhdistuksella kone säilyttää suorituskykynsä.

Laturi ei tarvitse säännöllisen puhdistamisen lisäksi minkään muunlaista huoltoa.

Varoitus! Poista akku ennen työkalun huoltamista. Irrota laturi virtalähteestä ennen puhdistamista.

- ◆ Puhdista koneen ja laturin ilma-akut säännöllisesti pehmeällä harjalla tai kuivalla siivousliinalla.
- ◆ Puhdista työkalun kuori säännöllisesti kostealla siivousliinalla. Älä koskaan käytä puhdistamiseen liuotainaineita tai syövyttäviä puhdistusaineita.
- ◆ Avaa istukka säännöllisin väliajoin ja kopauta sitä pölyjen poistamiseksi sisältä.

Ympäristö



Erillinen keräys. Tätä tuotetta ei saa hävittää normaalin kotitalousjätteen kanssa.

Kun Black & Decker -koneesi on käytetty loppuun, älä hävitä sitä kotitalousjätteen mukana. Tämä tuote on kerättävä erikseen.



Käytettyjen tuotteiden ja pakkausten erillinen keräys mahdollistaa materiaalien kierrätyksen ja uudelleenkäytön. Kierrätettyjen materiaalien uudelleenkäyttö auttaa ehkäisemään ympäristön saastumisen ja vähentää raaka-aineiden kysyntää.

Paikallisten säännösten mukaisesti on mahdollista viedä kotitalouksien sähkölaitteet kuntien kaatopaikoille tai jättää ne vähittäismyyjälle ostettaessa uusi tuote.

Black & Decker tarjoaa mahdollisuuden Black & Decker -tuotteiden keräykseen ja kierrätykseen sen jälkeen, kun ne on poistettu käytöstä. Jotta voisit hyötyä tästä palvelusta, palauta laitteesi johonkin valtuutettuun huoltoliikkeeseen, joka kerää laitteet meidän puolestamme.

Voit tarkistaa lähimmän valtuutetun huoltoliikkeen sijainnin ottamalla yhteyden Black & Deckerin toimistoon, joka sijaitsee tässä käsikirjassa annettussa osoitteessa. Lista valtuutetuista Black & Decker -huoltoliikkeistä sekä yksityiskohtaiset tiedot korjauspalvelustamme ovat vaihtoehtoisesti saatavilla Internetissä, osoitteessa www.2helpU.com

Akut



Black & Deckerin akut voidaan ladata useaan kertaan. Vie loppuunkäytetyt akut niille tarkoitettuun keräyspaikkaan tai -astiaan:

- ◆ Käytä akku täysin loppuun ja poista se sitten työkalusta.
- ◆ NiCd-, NiMH-, Li-Ion-akut ovat kierrätettäviä. Voit viedä ne mihin tahansa valtuutettuun huoltoliikkeeseen tai paikalliseen kierrätyskeskukseen. Kerätyt akut toimitetaan kierrätykseen tai käsitellään asianmukaisesti.

Tekniset tiedot

	HP146F4L	HP148F4L
Jännite	V _{DC} 14,4	14,4
Kuormittamaton nopeus	min ⁻¹ 0-350/0-1.200	0-350/0-1.200
Suurin mahdollinen vääntömomentti	Nm 28	29
Istukan kapasiteetti	mm 13	13
Max. porausteho		
teräs/puu/betoni	mm 13/19	13/19/13
Akun tuotenro	A1114L	A1114L
Paino (ilman akkua)	kg 1,33	1,38

		HP186F4L	HP188F4L
Jännite	V _{DC}	18	18
Kuormittamaton nopeus	min ⁻¹	0-350/0-1.200	0-350/0-1.200
Suurin mahdollinen vääntömomentti	Nm	33	34
Istukan kapasiteetti	mm	13	13
Max. porausteho teräs/puu/betoni	mm	13/25	13/25/13
Akun tuotento		A1118L	A1118L
Paino (ilman akkua)	kg	1,33	1,38

Akku		A1114L	A1118L
Jännite	V _{DC}	14,4	18
Teho	Ah	1,1	1,1
Paino	kg	0,37	0,44

Laturi			
Jännite	V _{AC}	230	
Latausaika (noin)	h	1	
Paino	kg	0,55	

EU:n yhdenmukaisuusilmoitus

HP146F4L H1/HP148F4L H1/HP186F4L H1/HP188F4L H1

Black & Decker vakuuttaa näiden tuotteiden olevan seuraavien standardien vaatimusten mukaisia:
98/37/EY, EN 60745

Äänenpainetaso mitattu EN 60745:n mukaisesti:

Äänenpaine (L_{pA}) 87,7 dB(A), epävarmuus (K) 3 dB(A)
Akustinen teho (L_{WA}) 98,7 dB(A), epävarmuus (K) 3 dB(A)

Tärinän kokonaisarvot (kolmiaks. vektorisumma) on määritetty seuraavan mukaisesti: EN 60745

Iskuporaus betoniin (a_{h, ID}) 17,7 m/s², epävarmuus (K) 1,5 m/s²

Poraus metalliin (a_{h, D}) 1,32 m/s², epävarmuus (K) 1,5 m/s²

Ruuvitaltaus ilman iskua (a_{h, S}) 0,65 m/s², epävarmuus (K) 1,5 m/s²

Allekirjoitava henkilö on vastuussa teknisen tiedoston täyttämisestä ja tekee tämän ilmoituksen Black & Decker -yhtiön puolesta.



Kevin Hewitt
Director of Consumer Engineering
Spennymoor, County Durham DL16 6JG,
Iso-Britannia
25-5-2009

Korjaukset / varaosat

Mikäli koneeseen tulee vikaa, jätä se aina Black & Deckerin valtuuttamaan huoltoliikkeeseen korjattavaksi. Varaosia myyvät valtuutetut Black & Deckerin huoltoliikkeet, ja heiltä voi myös pyytää kustannusarvion koneen korjauksesta.

Tiedot valtuutetuista huoltoliikkeistä löytyvät internetistä osoitteesta www.2helpU.com sekä kotisivuiltamme www.blackanddecker.fi

Takuu

Black & Decker Oy takaa, ettei koneessa ollut materiaali- ja/tai valmistusvikaa silloin, kun se toimitettiin ostajalle. Takuu on lisäys kuluttajan laillisiin oikeuksiin eikä vaikuta niihin. Takuu on voimassa Euroopan Unionin jäsenmaissa ja Euroopan vapaakauppa-alueella (EFTA).

Mikäli Black & Decker -kone hajoaa materiaali- ja/tai valmistusvirheen tai teknisten tietojen epätarkkuuden vuoksi 24 kk:n kuluessa ostopäivästä, Black & Decker korjaa koneen ilman kustannuksia ostajalle tai vaihtaa sen uuteen Black & Decker Oy:n valinnan mukaan.

Takuu ei kata vikoja, jotka johtuvat koneen

- ◆ normaalista kulumisesta
- ◆ ylikuormituksesta, virheellisestä käytöstä tai hoidosta
- ◆ vahingoittamisesta vieraalla esineellä tai aineella tai onnettomuustapauksessa.

Takuu ei ole voimassa, mikäli konetta on korjannut joku muu kuin Black & Deckerin valtuuttama huoltoliike.

Edellytyksenä takuun saamiselle on, että ostaja jättää koneen ja ostokuitin jälleenmyyjälle tai valtuutetulle huoltoliikkeelle viimeistään 2 kuukauden kuluessa vian ilmenemisestä.

Tiedot valtuutetuista huoltoliikkeistä saa ottamalla yhteyttä Black & Decker Oy:hyn sekä internetistä osoitteesta www.2helpU.com, jossa on myös takuehdot.

Voit vierailla verkkosivullamme www.blackanddecker.fi rekisteröidäksesi uuden Black & Decker-tuotteesi ja saadaksesi tietoa uusista tuotteista ja erikoistarjouksista. Saat lisätietoja Black & Deckerin tavaramerkistä ja tuotevalikoimastamme osoitteesta www.blackanddecker.fi

Ενδεξιγμένη χρήση

Το δικό σας δραπανοκατσάβιδο Black & Decker έχει σχεδιαστεί για εφαρμογές βιδώματος και για διάτρηση σε ξύλο, μέταλλο, πλαστικά και μαλακή τοιχοποιία. Αυτό το εργαλείο προορίζεται μόνο για ερασιτεχνική χρήση.

Οδηγίες ασφαλείας

Γενικές προειδοποιήσεις ασφαλείας για ηλεκτρικά εργαλεία



Προσοχή! Διαβάστε όλες τις προειδοποιήσεις ασφαλείας και όλες τις οδηγίες. Η μη τήρηση των παρακάτω προειδοποιήσεων και οδηγιών μπορεί να προκαλέσει ηλεκτροπληξία, πυρκαγιά ή/και σοβαρούς τραυματισμούς.

Αποθηκεύστε όλες τις προειδοποιήσεις και οδηγίες για μελλοντική αναφορά. Ο χαρακτηρισμός "ηλεκτρικό εργαλείο" που χρησιμοποιείται στις παρακάτω προειδοποιητικές υποδείξεις αφορά ή το εργαλείο που συνδέεται στην πρίζα (με καλώδιο) ή το εργαλείο που λειτουργεί με μπαταρία (χωρίς καλώδιο).

1. Ασφάλεια χώρου εργασίας

- a. Διατηρείτε το χώρο που εργάζεστε καθαρό και καλά φωτισμένο. Η αταξία στο χώρο που εργάζεστε και τα σημεία χωρίς καλό φωτισμό μπορεί να οδηγήσουν σε ατυχήματα.
- b. Μη χρησιμοποιείτε τα ηλεκτρικά εργαλεία σε περιβάλλον όπου υπάρχει κίνδυνος έκρηξης, π.χ. παρουσία εύφλεκτων υγρών, αερίων ή σκόνης. Τα ηλεκτρικά εργαλεία μπορεί να δημιουργήσουν σπινθηρισμό ο οποίος μπορεί να αναφλέξει τη σκόνη ή τις αναθυμιάσεις.
- c. Όταν χρησιμοποιείτε το ηλεκτρικό εργαλείο, κρατάτε τα παιδιά και τα υπόλοιπα άτομα μακριά από το χώρο που εργάζεστε. Σε περίπτωση που άλλα άτομα αποσπάσουν την προσοχή σας μπορεί να χάσετε τον έλεγχο του μηχανήματος.

2. Ασφαλής χρήση του ηλεκτρικού ρεύματος

- a. Το φως του καλωδίου του ηλεκτρικού εργαλείου πρέπει να ταιριάζει στην αντίστοιχη πρίζα. Δεν επιτρέπεται με κανένα τρόπο η μετασκευή του φως. Μη χρησιμοποιείτε προσαρμοστικά φως στα γειωμένα ηλεκτρικά εργαλεία. Τα φως που δεν έχουν υποστεί τροποποιήσεις και οι κατάλληλες πρίζες μειώνουν τον κίνδυνο ηλεκτροπληξίας.

- b. Αποφεύγετε την επαφή του σώματός σας με γειωμένες επιφάνειες όπως σωλήνες, θερμαντικά σώματα (καλοριφέρ), κουζίνες και ψυγεία. Όταν το σώμα σας είναι γειωμένο, αυξάνεται ο κίνδυνος ηλεκτροπληξίας.
- c. Μην εκθέτετε το ηλεκτρικό εργαλείο στη βροχή ή την υγρασία. Η διείσδυση νερού στο ηλεκτρικό εργαλείο αυξάνει τον κίνδυνο ηλεκτροπληξίας.
- d. Μην κακομεταχειρίζεστε το καλώδιο. Μη χρησιμοποιήσετε ποτέ το καλώδιο για να μεταφέρετε, να τραβήξετε ή να αποσυνδέσετε το εργαλείο από την πρίζα. Κρατάτε το καλώδιο μακριά από υψηλές θερμοκρασίες, λάδια, κοφτερές ακμές ή κινούμενα εξαρτήματα. Τυχόν χαλασμένα ή μπερδεμένα καλώδια αυξάνουν τον κίνδυνο ηλεκτροπληξίας.
- e. Όταν χρησιμοποιείτε το ηλεκτρικό εργαλείο σε εξωτερικούς χώρους, να χρησιμοποιείτε πάντοτε προεκτάσεις (μπαλαντζές) που έχουν εγκριθεί για χρήση σε εξωτερικούς χώρους. Η χρήση προεκτάσεων εγκεκριμένων για εργασία σε εξωτερικούς χώρους μειώνει τον κίνδυνο ηλεκτροπληξίας.
- f. Αν η χρήση του εργαλείου σε μια βρεγμένη περιοχή δεν είναι απόφευκτη, χρησιμοποιήστε μια συσκευή κατάλοιπου ρεύματος (RCD) προστατευόμενης παροχής. Η χρήση μιας RCD μειώνει τον κίνδυνο ηλεκτροπληξίας.

3. Ασφάλεια προσώπων

- a. Όταν χρησιμοποιείτε το ηλεκτρικό εργαλείο, να είστε προσεκτικοί, να δίνετε προσοχή στην εργασία που κάνετε και να επιστρατεύετε την κοινή λογική. Μη χρησιμοποιείτε το ηλεκτρικό εργαλείο όταν είστε κουρασμένοι ή όταν βρίσκεστε υπό την επήρεια ναρκωτικών, οινόπνευματος ή φαρμάκων. Μια στιγμή απροσεξία κατά το χειρισμό του ηλεκτρικού εργαλείου μπορεί να οδηγήσει σε σοβαρούς τραυματισμούς.
- b. Χρησιμοποιήστε προσωπικό εξοπλισμό τραυματισμού. Να φοράτε πάντα προστατευτικά γυαλιά. Ο προστατευτικός εξοπλισμός όπως μάσκα σκόνης, υποδήματα ασφαλείας κατά το γλίστρημα, σκληρό καπέλο, ή προστασία ακοής για τις κατάλληλες συνθήκες θα μειώσουν τους σωματικούς τραυματισμούς.
- c. Να αποφύγετε την εκκίνηση κατά λάθος. Επιβεβαιωθείτε ότι ο διακόπτης είναι στην θέση off πριν συνδέσετε την παροχή ρεύματος και/ή τη μπαταρία, πριν πάστε ή μεταφέρετε το εργαλείο. Η μεταφορά εργαλείων με το δάχτυλο στον διακόπτη ή η ενεργοποίηση εργαλείων με τον διακόπτη στη θέση on μπορεί να οδηγήσει σε ατυχήματα.

- d. Πριν θέσετε το ηλεκτρικό εργαλείο σε λειτουργία, αφαιρέστε τυχόν εργαλεία ή κλειδιά ρύθμισης. Ενα εργαλείο ή κλειδί συναρμολογημένο στο περιστρεφόμενο εξάρτημα ενός ηλεκτρικού εργαλείου μπορεί να προκαλέσει τραυματισμούς.
- e. Μην τεντώνεστε. Φροντίστε πάντοτε να έχετε την κατάλληλη στάση και να διατηρείτε την ισορροπία σας. Αυτό σας επιτρέπει τον καλύτερο έλεγχο του ηλεκτρικού εργαλείου σε περιπτώσεις απροσδόκτων καταστάσεων.
- f. Φοράτε κατάλληλη ενδυμασία εργασίας. Μη φοράτε φαρδιά ρούχα ή κοσμήματα. Κρατάτε τα μαλλιά, τα ενδύματα και τα γάντια σας μακριά από τα κινούμενα εξαρτήματα. Τα φαρδιά ρούχα, τα κοσμήματα και τα μακριά μαλλιά μπορεί να εμπλακούν στα κινούμενα εξαρτήματα.
- g. Αν προβλέπονται διατάξεις απαγωγής και συλλογής της σκόνης, βεβαιωθείτε ότι είναι συνδεδεμένες και ότι χρησιμοποιούνται σωστά. Η χρήση της συλλογής της σκόνης μπορεί να μειώσει τους κινδύνους σχετικά με τη σκόνη.
4. Χρήση και συντήρηση του ηλεκτρικού εργαλείου
- a. Μην υπερφορτώνετε το ηλεκτρικό εργαλείο. Χρησιμοποιείτε για την εκάστοτε εργασία σας το ηλεκτρικό εργαλείο που προορίζεται γι' αυτήν. Με το κατάλληλο ηλεκτρικό εργαλείο εργάζεσθε καλύτερα και ασφαλέστερα στην ονομαστική περιοχή ισχύος του.
- b. Μη χρησιμοποιήσετε ποτέ ένα ηλεκτρικό εργαλείο του οποίου ο διακόπτης λειτουργίας είναι χαλασμένος. Ενα ηλεκτρικό εργαλείο του οποίου η λειτουργία δεν μπορεί να ελεγχθεί με το διακόπτη είναι επικίνδυνο και πρέπει να επισκευαστεί.
- c. Αποσυνδέστε το βύσμα από τη πυγμή ρεύματος και/ή το συγκρότημα μπαταρίας πριν κάνετε κάποια ρύθμιση, αλλάζετε τα αξεσουάρ, ή αποθηκεύετε τα ηλεκτρικά εργαλεία. Αυτά τα προληπτικά μέτρα ασφαλείας μειώνουν τον κίνδυνο να τεθεί το μηχάνημα αθέλητα σε λειτουργία.
- d. Να φυλάτε τα ηλεκτρικά εργαλεία που δεν χρησιμοποιείτε μακριά από παιδιά. Μην αφήνετε άτομα που δεν είναι εξοικειωμένα με το ηλεκτρικό εργαλείο ή που δεν έχουν διαβάσει αυτές τις οδηγίες χρήσης να το χρησιμοποιήσουν. Τα ηλεκτρικά εργαλεία είναι επικίνδυνα όταν χρησιμοποιούνται από άπειρα άτομα.
- e. Να συντηρείτε τα ηλεκτρικά εργαλεία. Ελέγξτε εάν τα κινούμενα μέρη είναι σωστά ευθυγραμμισμένα ή αν έχουν μπλοκάρει, εάν έχουν σπάσει κομμάτια και εάν πληρούνται όλες οι υπόλοιπες συνθήκες που ενδεχομένως να επηρεάσουν τη σωστή λειτουργία του εργαλείου. Δώστε τυχόν χαλασμένα εξαρτήματα του ηλεκτρικού εργαλείου για επισκευή πριν το χρησιμοποιήσετε πάλι. Η ανεπαρκής συντήρηση των ηλεκτρικών εργαλείων αποτελεί αιτία πολλών ατυχημάτων.
- f. Διατηρείτε τα κοπτικά εργαλεία κοφτερά και καθαρά. Τα κοπτικά εργαλεία με αιχμηρά κοπτικά άκρα που συντηρούνται σωστά έχουν λιγότερες πιθανότητες να μπλοκάρουν και ελέγχονται ευκολότερα.
- g. Να χρησιμοποιείτε το ηλεκτρικό εργαλείο, τα εξαρτήματα και τις μύτες κλπ σύμφωνα με αυτές τις οδηγίες, λαμβάνοντας υπόψη τις καταστάσεις εργασίας και την εργασία προς εκτέλεση. Η χρήση του ηλεκτρικού εργαλείου για άλλες εκτός από τις προβλεπόμενες εργασίες μπορεί να δημιουργήσει επικίνδυνες καταστάσεις.
5. Χρήση και συντήρηση του εργαλείου μπαταρίας
- a. Να επαναφορτίζετε τις μπαταρίες μόνο με το φορτιστή που προβλέπει ο κατασκευαστής. Ενας φορτιστής που είναι κατάλληλος για έναν τύπο μπαταρίας μπορεί να προκαλέσει πυρκαγιά όταν χρησιμοποιηθεί για τη φόρτιση κάποιου άλλου τύπου μπαταρίας.
- b. Να χρησιμοποιείτε τα ηλεκτρικά εργαλεία μόνο με τις προβλεπόμενες γι' αυτά μπαταρίες. Η χρήση μπαταριών διαφορετικού τύπου μπορεί να οδηγήσει σε τραυματισμούς ή πυρκαγιά.
- c. Να φυλάτε τις μπαταρίες που δεν χρησιμοποιείτε μακριά από μεταλλικά αντικείμενα, όπως συνδετήρες χαρτιών, νομίσματα, κλειδιά, καρφιά, βίδες κι άλλα παρόμοια μικροαντικείμενα, τα οποία θα μπορούσαν να γεφυρώσουν τους δυο πόλους. Τυχόν βραχυκύκλωση των πόλων της μπαταρίας μπορεί να προκαλέσει εγκαύματα ή πυρκαγιά.
- d. Υπό δυσμενείς συνθήκες λειτουργίας μπορεί να διαρρέουν υγρά από τη μπαταρία. Αποφεύγετε κάθε επαφή με μια μη στεγανή μπαταρία. Σε περίπτωση ακούσιας επαφής με τα υγρά, ξεπλύνετε αμέσως με νερό. Εκτός από αυτό, αν τα υγρά διεισδύσουν στα μάτια σας, επισκεφτείτε χωρίς καθυστέρηση ένα γιατρό. Τα διαρρέοντα υγρά των μπαταριών μπορεί να προκαλέσουν ερεθισμούς ή και εγκαύματα.
6. Σέρβις
- a. Το σέρβις του ηλεκτρικού σας εργαλείου πρέπει να αναλαμβάνει έμπειρος τεχνικός που θα χρησιμοποιεί μόνο γνήσια ανταλλακτικά. Ετσι εξασφαλίζεται η διατήρηση της ασφάλειας του ηλεκτρικού εργαλείου.



Προσοχή! Συμπληρωματικές προειδοποιήσεις ασφαλείας για τριπάνι και κρουστικό τρυπάνι

- ◆ **Να φοράτε υατσαπίδες για τα αυτιά με κρουστικά τρυπάνια.** Η έκθεση σε θόρυβο μπορεί να προκαλέσει απώλεια ακοής.
- ◆ **Χρησιμοποιείστε βοηθητικές λαβές που παρέχονται με το εργαλείο.** Η απώλεια ελέγχου μπορεί να προκαλέσει σωματικές βλάβες.
- ◆ **Πάνετο το μηχάνημα μόνο από τις μονωμένες επιφάνειές του όταν κατά την εργασία σας υπάρχει κίνδυνος το αξεσουάρ κοπής να "χτυπήσει" ηλεκτρικές γραμμές ή το ηλεκτρικό καλώδιο του ίδιου του μηχανήματος.** Το αξεσουάρ κοπής σε επαφή με μια υπό τάση ευρισκόμενη ηλεκτρική γραμμή μπορεί να θέτουν επίσης και τα μεταλλικά τμήματα του μηχανήματος υπό τάση κι έτσι μπορεί να οδηγήσει σε ηλεκτροπληξία.
- ◆ **Χρησιμοποιήστε σφιγκτήρες ή κάποιο άλλο πρακτικό μέσο για να ασφαλίστε και στηρίξετε το τεμάχιο εργασίας σε μια σταθερή επιφάνεια.** Το κράτημα με το χέρι ή με το σώμα σας το κάνει ασταθές και μπορεί να οδηγήσει στο χάσιμο έλεγχου.
- ◆ Πριν από τη διάτρηση τοίχων, δαπέδων ή οροφών, εντοπίστε τις θέσεις όπου βρίσκονται καλώδια και σωληνώσεις.
- ◆ Αποφύγετε να αγγίξετε τη μύτη ενός τρυπανιού αμέσως μετά τη διάτρηση, καθώς ενδέχεται να είναι πολύ ζεστή.
- ◆ Αυτό το εργαλείο δεν προσδιορίζεται για χρήση από άτομα (συμπεριλαμβάνοντας και τα παιδιά) με ελαττωμένες φυσικές, αισθητήριες και ψυχικές δυνατότητες, ή έλλειψη εμπειρίας και γνώσης, εκτός αν υπάρχει επιτήρηση ή οδηγίες για τη χρήση της συσκευής από έναν υπεύθυνο άτομο για την ασφάλειά τους. Τα παιδιά πρέπει να επιτηρηθούν για να βεβαιωθείτε ότι δεν παίζουν με το εργαλείο.
- ◆ Η ενδεξιγμένη χρησιμοποίηση αναφέρεται σε αυτές τις οδηγίες χρήσεως. Τόσο η χρήση εξαρτημάτων ή προσθηκών όσο και η πραγματοποίηση εργασιών που δεν συνιστώνται στις οδηγίες αυτές εγκυμονεί κίνδυνο τραυματισμού και/η περιουσίας.

Δόνηση

Οι δηλωμένες τιμές εκπομπής δόνησης στον τομέα τεχνικών χαρακτηριστικών και στη δήλωση συμμόρφωσης έχουν μετρηθεί σύμφωνα με μια πρότυπη μέθοδος δοκιμής παρεχόμενη από το EN 60745 και μπορεί να χρησιμοποιηθεί για την σύγκριση ενός εργαλείο με ένα άλλο. Η δηλωμένη τιμή εκπομπής δόνησης μπορεί να χρησιμοποιηθεί επίσης σε μια προκαταρκτική εκτίμηση έκθεσης.

Προσοχή! Η τιμή εκπομπής δόνησης κατά τη παρόν χρήση του ηλεκτρικού εργαλείου μπορεί να διαφέρει από τη δηλωμένη τιμή αναλόγως με τον τρόπο που χρησιμοποιείται το εργαλείο. Το επίπεδο δόνησης μπορεί να αυξηθεί πάνω από το δηλωμένο επίπεδο.

Κατά την εκτίμηση έκθεσης στη δόνηση για να αποφασιστούν τα μέτρα ασφαλείας που απαιτούνται από το 2002/44/EK για την προστασία απόμην που χρησιμοποιούν τακτικά το εργαλείο, πρέπει να ληφθεί υπόψη μια εκτίμηση έκθεσης δόνησης, οι παρόν καταστάσεις χρήσης και ο τροφός χρήσης εργαλείου, συμπεριλαμβάνοντας όλα τα μερί του κύκλου εργασίας όπως πόσες φορές σβήνεται το εργαλείο και όταν δουλεύει χωρίς φορτίο πρόσθετα πόσες φορές πατιέται η σκανδάλη.

Ετικέτες επάνω στο εργαλείο

Πάνω στο εργαλείο υπάρχουν οι εξής σχηματικές απεικονίσεις:



Προσοχή! Για να μειώσετε τον κίνδυνο τραυματισμού, ο χρήστης πρέπει να διαβάσει το εγχειρίδιο οδηγιών.

Επιπρόσθετες οδηγίες ασφαλείας για μπαταρίες και φορτιστές

Μπαταρίες

- ◆ Μην επιχειρήσετε ποτέ να την ανοίξετε, για κανένα λόγο.
- ◆ Μην εκθέτετε την μπαταρία σε νερό.
- ◆ Μην την αποθηκεύετε σε χώρους όπου η θερμοκρασία μπορεί να υπερβεί τους 40 °C.
- ◆ Να τη φορτίζετε μόνο σε θερμοκρασία περιβάλλοντος μεταξύ 10 °C και 40 °C.
- ◆ Η φόρτιση πρέπει να γίνεται μόνο με το φορτιστή που παρέχεται με το εργαλείο.
- ◆ Σε ό,τι αφορά την απόρριψη των μπαταριών, ακολουθήστε τις οδηγίες που παρατίθενται στην ενότητα "Διάθεση εργαλείων και περιβάλλον".



Μην φορτίζετε κατεστραμμένες μπαταρίες.

Φορτιστές

- ◆ Χρησιμοποιήστε μόνο το φορτιστή της Black & Decker για τη φόρτιση μπαταριών του τύπου που συνοδεύει το εργαλείο σας. Σε άλλες μπαταρίες ενδέχεται να σημειωθεί διάρρηξη, προκαλώντας τραυματισμό και ζημία.
- ◆ Μην επιχειρήσετε ποτέ να επαναφορτίσετε μη επαναφορτιζόμενες μπαταρίες.
- ◆ Αντικαταστήστε αμέσως τα ελαττωματικά καλώδια.
- ◆ Μην εκθέτετε το φορτιστή σε νερό.
- ◆ Μην ανοίγετε το φορτιστή.
- ◆ Μην επιχειρήσετε να διερευνήσετε το εσωτερικό του φορτιστή.



Ο φορτιστής προορίζεται μόνο για χρήση σε εσωτερικούς χώρους.



Διαβάστε τον εγχειρίδιο οδηγιών πριν τη χρήση.



Η τροφοδοσία του φορτιστή διακόπτεται αυτόματα εάν η θερμοκρασία του περιβάλλοντος γίνει πολύ υψηλή. Αμέσως μόλις πέσει η θερμοκρασία του περιβάλλοντος, ο φορτιστής θα ξαναρχίσει να λειτουργεί.



Η μπαταρία είναι πολύ ζεστή



Να τη φορτίζετε μόνο σε θερμοκρασία περιβάλλοντος μεταξύ 10 °C και 40 °C.



Ολοκληρώθηκε η διαδικασία φόρτωσης (συνεχής προσηνή λυχνία)



Φόρτωση (η πράσινη λυχνία αναβοσβήνει)



Ελαττωματική μπαταρία



Χαμηλή παροχή ρεύματος

Ασφαλής χρήση του ηλεκτρικού ρεύματος



Ο φορτιστής σας φέρει διπλή μόνωση, επομένως δεν απαιτείται σύρμα γείωσης. Ελέγχετε πάντα να η τάση τροφοδοσίας αντιστοιχεί σε αυτήν που αναγράφεται στην πινακίδα χαρακτηριστικών. Ποτέ μην επιχειρήσετε να υποκαταστήσετε το φορτιστή με κοινή πρίζα ρεύματος.

- ♦ Αν το καλώδιο ρεύματος έχει υποστεί βλάβη, πρέπει να αντικατασταθεί από τον κατασκευαστή ή από εξουσιοδοτημένο Κέντρο Επισκευών Black & Decker ώστε να αποφεύγετε τους κινδύνους.

Χαρακτηριστικά

Το εργαλείο διαθέτει όλα ή ορισμένα από τα εξής χαρακτηριστικά.

1. Διακόπτης μεταβλητής ταχύτητας
2. Συρόμενος διακόπτης εμπρός/πίσω
3. Τσοκ
4. Διακόπτη επιλογής λειτουργίας / κολάρο ρύθμισης ροπής
5. Διακόπτης επιλογής δύο ταχυτήτων
6. Υποδοχή συγκράτησης μύτης
7. Μπαταρία

Εικ. Α

8. Φορτιστής
9. Υποδοχή φορτιστή
10. Ενδειξη φόρτισης

Συναρμολογηση

Προειδοποίηση! Πριν από τη συναρμολόγηση, αφαιρείτε πάντα την μπαταρία.

Τοποθέτηση και αφαίρεση της μπαταρίας (εικ. Β)

- ♦ Για να τοποθετήσετε την μπαταρία (7), ευθυγραμμίστε την με την υποδοχή πάνω στο εργαλείο. Ολισθήστε τη μπαταρία μέσα στη θήκη και σπρώξτε τη μέχρι να κουμπώσει στη θέση της.
- ♦ Για να βγάλετε τη μπαταρία, πατήστε το κουμπί απελευθέρωσης (11) και τραβήξτε ταυτόχρονα τη μπαταρία έξω από τη θήκη.

Τοποθέτηση του καπακιού μπαταρίας (εικ. C)

Προειδοποίηση! Τοποθετήστε το καπάκι (12) στη μπαταρία (7) για μετακίνηση και αποθήκευση.

Τοποθέτηση και αφαίρεση τρυπανιού ή μύτης κατασβιδιού (εικ. D)

Το εργαλείο αυτό διαθέτει τσοκ χωρίς κλειδί ώστε να διευκολύνεται η αλλαγή εξαρτημάτων.

- ♦ Ασφαλίστε το εργαλείο, θέτοντας το συρόμενο διακόπτη λειτουργίας εμπρός/ανάποδα (2) στην κεντρική θέση.
- ♦ Ανοίξτε στο τσοκ, γυρίζοντας το δακτύλιο (13) με το ένα χέρι και ταυτόχρονα κρατώντας το εργαλείο με το άλλο.
- ♦ Εισάγετε τον άξονα της μύτης (14) μέσα στο τσοκ.
- ♦ Σφίξτε καλά το τσοκ γυρίζοντας το δακτύλιο (13) με το ένα χέρι και ταυτόχρονα κρατώντας το εργαλείο με το άλλο.

Το εργαλείο αυτό συνοδεύεται με μύτη κατασβιδιού διπλής όψης στην υποδοχή μύτης (6).

- ♦ Για να αφαιρέσετε τη μύτη του κατασβιδιού από την υποδοχή, ανασηκώστε τη μύτη από την εσοχή.
- ♦ Για να αποθηκεύσετε τη μύτη του κατασβιδιού, πιέστε την καλά πάνω στην υποδοχή.

Χρήση

Προειδοποίηση! Αφήστε το εργαλείο να λειτουργήσει με το δικό του ρυθμό. Μην το υπερφορτώνετε.

Φόρτιση μπαταρίας (εικ. Α)

Προειδοποίηση! Μη φορτίζετε την μπαταρία σε θερμοκρασίες περιβάλλοντος κάτω των 10 °C ή άνω των 40 °C. Συνιστώμενη θερμοκρασία φόρτισης: περίπου 24 °C.

Σημείωση: Ο φορτιστής δεν θα φορτίσει τη μπαταρία, αν η θερμοκρασία της κυψελίδας είναι κάτω από 0 °C ή πάνω από 60 °C. Η μπαταρία πρέπει να παραμείνει στον φορτιστή μέχρι η φόρτιση να ξεκινήσει αυτόματα μόλις η θερμοκρασία της κυψελίδας αυξηθεί ή μειωθεί αντίστοιχα.

- ◆ Τοποθετήστε τον φορτιστή στην πρίζα (8) και βεβαιωθείτε ότι υπάρχει παροχή ρεύματος.

- ◆ Εισαγάγετε τη μπαταρία (7) στον φορτιστή. Βεβαιωθείτε ότι η μπαταρία έχει εφαρμοστεί καλά στον φορτιστή (8).

Η ένδειξη φόρτισης (10) αναβοσβήνει συνεχώς (με αργό ρυθμό). Η φόρτιση έχει ολοκληρωθεί όταν η ένδειξη φόρτισης (10) παραμένει συνεχώς αναμμένη. Ο φορτιστής και η μπαταρία μπορούν να παραμείνουν συνδεδεμένοι επ'αόριστον με αναμμένη την ενδεικτική λυχνία LED. Η ενδεικτική λυχνία LED θα αρχίσει να αναβοσβήνει (κατάσταση φόρτισης) καθώς ο φορτιστής ολοκληρώνει τη φόρτιση της μπαταρίας. Η ένδειξη φόρτισης (10) παραμένει αναμμένη όσο η μπαταρία είναι συνδεδεμένη στον φορτιστή πρίζας.

- ◆ Φορτίστε τις αποφορτισμένες μπαταρίες εντός μιας εβδομάδας. Η ζωή της μπαταρίας θα μειωθεί σημαντικά σε περίπτωση αποθήκευσης σε αποφορτισμένη κατάσταση.

Ενδείξεις φόρτισης

Όταν ο φορτιστής εντοπίζει κάποιο πρόβλημα στη μπαταρία, η ένδειξη φόρτισης (10) αναβοσβήνει με γρήγορο ρυθμό.

Ακολουθήστε τις παρακάτω οδηγίες:

- ◆ Εισαγάγετε εκ νέου τη μπαταρία (7).
- ◆ Εάν η ένδειξη φόρτισης εξακολουθήσει να αναβοσβήνει με γρήγορο ρυθμό, χρησιμοποιήστε μια άλλη μπαταρία για να βεβαιωθείτε ότι η διαδικασία φόρτισης διενεργείται σωστά.
- ◆ Εάν η ανταλλακτική μπαταρία φορτίζεται σωστά, τότε η αρχική μπαταρία είναι ελαττωματική και πρέπει να παραδοθεί σε κέντρο σέρβις για ανακύκλωση.
- ◆ Εάν η καινούρια μπαταρία παρέχει την ίδια ένδειξη με την αρχική, παραδώστε τον φορτιστή για έλεγχο σε εξουσιοδοτημένο κέντρο σέρβις.

Σημείωση: Ο προσδιορισμός της μπαταρίας ως ελαττωματικής ή μη, ενδέχεται να διαρκέσει έως και 15 λεπτά. Εάν η μπαταρία είναι πολύ ζεστή ή πολύ ψυχρή, η ενδεικτική λυχνία LED θα αναβοσβήνει διαδοχικά με γρήγορο και αργό ρυθμό, επαναλαμβάνοντας μία λάμψη ανά ρυθμό.

Επιλογή της κατεύθυνσης περιστροφής (εικ. Ε)

Για διάτρηση και για τη σύσφιξη βιδών, χρησιμοποιείτε την περιστροφή προς τα εμπρός (δεξιόστροφη). Για το ξεβίδωμα των βιδών ή για να αφαιρέσετε τρυπάνι που έχει κολλήσει, χρησιμοποιείτε την ανάποδη περιστροφή (αριστερόστροφη).

- ◆ Για να επιλέξετε την περιστροφή προς τα εμπρός, πιέστε το συρόμενο διακόπτη εμπρός/πίσω (2) προς τα αριστερά.
- ◆ Για να επιλέξετε την ανάποδη περιστροφή, πιέστε το συρόμενο διακόπτη εμπρός/πίσω προς τα δεξιά.

- ◆ Για να ασφαλίσετε το εργαλείο, τοποθετήστε το συρόμενο διακόπτη εμπρός / πίσω στη μεσαία θέση.

Επιλογή της κατάστασης λειτουργίας ή της ροπής (εικ. F)

Το εργαλείο αυτό διαθέτει κολάρο για την επιλογή της κατάστασης λειτουργίας και για τη ρύθμιση της ροπής για σύσφιξη βιδών. Οι μεγάλες βίδες και τα τεμάχια από σκληρό υλικό απαιτούν υψηλότερη ρύθμιση ροπής σε σύγκριση με τις μικρές βίδες και τα τεμάχια από μαλακό υλικό. Το κολάρο αυτό προσφέρει μία μεγάλη κλίμακα ρυθμίσεων ανάλογα με την εφαρμογή σας.

- ◆ Για διάτρηση σε ξύλο, μέταλλο και πλαστικά, θέστε το κολάρο (4) στη θέση διάτρησης ευθυγραμμίζοντας το σύμβολο **2** με την ένδειξη (15).
 - ◆ Για λειτουργία κατσαβιδιού, θέστε το κολάρο στην επιθυμητή θέση. Αν δεν γνωρίζετε ακόμη την κατάλληλη θέση που πρέπει να επιλεγεί, ακολουθήστε τα παρακάτω βήματα:
 - Ρυθμίστε το δακτύλιο (4) στη ρύθμιση της χαμηλότερης ροπής.
 - Σφίξτε την πρώτη βίδα.
 - Αν ο συμπλέκτης σταματήσει πριν επιτευχθεί το επιθυμητό αποτέλεσμα, αυξήστε τη ρύθμιση στο δακτύλιο και συνεχίστε να σφίγγετε τη βίδα.
- Επαναλάβετε τη διαδικασία αυτή μέχρι να επιτύχετε την κατάλληλη ρύθμιση. Με τη ρύθμιση αυτή, βιδώστε τις υπόλοιπες βίδες.

HP148F4L/HP188F4 - Διάτρηση σε τοιχοποιία (fig. F & G)

- ◆ Για διάτρηση σε τοιχοποιία, θέστε το κολάρο (4) στη θέση κρουστικής διάτρησης ευθυγραμμίζοντας το σύμβολο **T** με την ένδειξη (15).
- ◆ Ολισθήστε το διακόπτη επιλογής δύο ταχυτήτων (5) προς τα εμπρός του εργαλείου (2η ταχύτητα).

Διακόπτης επιλογής δύο ταχυτήτων (εικ. G)

- ◆ Για διάτρηση σε χάλυβα και για εφαρμογές βιδώματος, ολισθήστε τον διακόπτη επιλογής δύο ταχυτήτων (5) προς το πίσω μέρος του εργαλείου (1η ταχύτητα).
- ◆ Για διάτρηση σε υλικά άλλα εκτός από τον χάλυβα, ολισθήστε τον διακόπτη επιλογής δύο ταχυτήτων (5) προς το εμπρός μέρος του εργαλείου (2η ταχύτητα).

Διάτρηση/βιδώμα

- ◆ Επιλέξτε την περιστροφή εμπρός ή πίσω χρησιμοποιώντας το συρόμενο διακόπτη εμπρός / πίσω (2).
- ◆ Για να θέσετε σε λειτουργία το εργαλείο, πατήστε το διακόπτη (1). Η ταχύτητα του εργαλείου εξαρτάται από το βαθμό που θα πατήσετε το διακόπτη.
- ◆ Για να θέσετε το εργαλείο εκτός λειτουργίας, αφήστε το διακόπτη.

Συμβουλές για άριστη χρήση

Διάρθρωση

- ◆ Να ασκείτε πάντα μια ελαφρά πίεση στην ίδια ευθεία με το τρυπάνι.
- ◆ Μόλις πριν το τρυπάνι βγει από την άλλη πλευρά του τεμαχίου εργασίας, ελαττώστε την ασκούμενη πίεση στο εργαλείο.
- ◆ Χρησιμοποιήστε ένα κομμάτι ξύλο για να στηρίξετε τα τεμάχια εργασίας, των οποίων το υλικό ενδέχεται να εμφανίσει ρωγμές κατά το τρύπημα.
- ◆ Για τη διάρθρωση σπών μεγάλης διαμέτρου σε ξύλο, χρησιμοποιήστε τρυπάνι διχαλωτής μορφής.
- ◆ Για τη διάρθρωση σε μέταλλο, χρησιμοποιήστε τρυπάνια από ταχυχάλυβα (HSS).
- ◆ Χρησιμοποιήστε τρυπάνια τοίχου κατά τη διάρθρωση μαλακής τοιχοποιίας.
- ◆ Χρησιμοποιήστε λιπαντικό κατά τη διάρθρωση μετάλλων εκτός από χυτοσίδηρο και ορείχαλκο.
- ◆ Δημιουργήστε μια μικρή εγκοπή με μία πόντα στο κέντρο της σπής που θα τρυπηθεί προκειμένου να τρυπήσετε με μεγαλύτερη ακρίβεια.

Βίδωμα

- ◆ Να χρησιμοποιείτε πάντα τον κατάλληλο τύπο και μέγεθος μύτης κατασβιδιού.
- ◆ Αν το σφίξιμο των βιδών παρουσιάζει δυσκολία, απλώστε μικρή ποσότητα υγρού απορρυπαντικού ή σαπουνιού σαν λιπαντικό.
- ◆ Το εργαλείο και η μύτη του κατασβιδιού πρέπει να κρατούνται πάντα στην ίδια ευθεία με τη βίδα.

Συντήρηση

Αυτό το εργαλείο της Black & Decker έχει σχεδιαστεί έτσι ώστε να λειτουργεί για μεγάλο χρονικό διάστημα με την ελάχιστη δυνατή φροντίδα. Η αδιάλειπτη και κανονική λειτουργία του εξαρτάται από τη φροντίδα του εργαλείου και τον τακτικό καθαρισμό του.

Ο φορτιστής σας δεν απαιτεί καμία συντήρηση εκτός από τον τακτικό καθαρισμό του.

Προειδοποίηση! Πριν εκτελέσετε οποιαδήποτε εργασία συντήρησης στο εργαλείο, αφαιρέστε τη μπαταρία από το εργαλείο. Βγάλτε τον φορτιστή από την πρίζα πριν τον καθαρίσετε.

- ◆ Καθαρίζετε τακτικά τις σπές εξαερισμού του εργαλείου σας και του φορτιστή με μαλακή βούρτσα ή με στεγνό πανί.
- ◆ Να καθαρίζετε τακτικά το περίβλημα της μηχανής χρησιμοποιώντας ένα βρεγμένο πανί. Μη χρησιμοποιείτε σπινθηρικά ή υγρά καθαρισμού που περιέχουν διαλυτικές ουσίες.

- ◆ Να ανοίγετε τακτικά το τσοκ και να το αδειάζετε, προκειμένου να αφαιρείται η σκόνη από το εσωτερικό του.

Διάθεση εργαλείων και περιβάλλον



Ξεχωριστή συλλογή. Αυτό το προϊόν δεν πρέπει να απορριφθεί με συνηθισμένα σπιτικά απορρίμματα.

Εάν κάποια μέρα διαπιστώσετε ότι το προϊόν σας Black & Decker χρειάζεται αντικατάσταση ή δεν σας χρησιμεύει πλέον, μην το απορρίψετε με τα σπιτικά απορρίμματα. Κάντε αυτό το προϊόν διαθέσιμο για ξεχωριστή συλλογή.



Η ξεχωριστή συλλογή χρησιμοποιημένων προϊόντων και συσκευασιών επιτρέπει την ανακύκλωση υλικών. Η επανάχρηση ανακυκλωμένων υλικών βοηθάει την προστασία του περιβάλλον και μειώνει την ζήτηση για σπάνια υλικά.

Οι τοπικοί κανονισμοί μπορεί να παρέχουν ξεχωριστή συλλογή ηλεκτρικών προϊόντων από κατοικίες, δημοτικές τοποθεσίες απορριμμάτων ή από τον έμπορο όταν αγοράσατε το καινούργιο προϊόν.

Η Black & Decker δίνει τη δυνατότητα συλλογής και ανακύκλωσης των προϊόντων της που έχουν συμπληρώσει τη διάρκεια ζωής τους. Αν θέλετε να χρησιμοποιήσετε την εν λόγω υπηρεσία, επιστρέψτε το προϊόν σας σε οποιοδήποτε εξουσιοδοτημένο κέντρο επισκευών, όπου θα το παραλάβουν εκ μέρους σας.

Ενημερωθείτε για το πλησιέστερο κέντρο επισκευών της περιοχής σας, επικοινωνώντας με τα γραφεία της Black & Decker στη διεύθυνση που αναγράφεται στο εγχειρίδιο. Επίσης, για να πληροφορηθείτε τα εξουσιοδοτημένα κέντρα επισκευών της Black & Decker και τις λεπτομέρειες και τους αρμόδιους των υπηρεσιών που παρέχονται μετά την πώληση, μπορείτε ανατρέξετε στο Διαδίκτυο στη διεύθυνση: www.2helpU.com

Μπαταρίες



Οι μπαταρίες Black & Decker μπορούν να επαναφορτιστούν πολλές φορές. Όταν πλέον δεν μπορούν να ξαναχρησιμοποιηθούν, απορρίψτε τις με τρόπο κατάλληλο για το περιβάλλον:

- ◆ Εξαντλήστε πλήρως τη μπαταρία και μετά αφαιρέστε την από το εργαλείο.
- ◆ Οι μπαταρίες NiCd, NiMH και Li-Ion είναι ανακυκλώσιμες. Στείλτε τις σε κάποιο εξουσιοδοτημένο κέντρο επισκευών ή στον τοπικό σταθμό ανακύκλωσης.

Τεχνικά χαρακτηριστικά

		HP146F4L	HP148F4L
Τάση	V _{DC}	14,4	14,4
Ταχύτητα άφορτου κίνησης min ⁻¹		0-350/0-1.200	0-350/0-1.200
Μέγ. ροπή	Nm	28	29
Απόδοση τσακ	mm	13	13
Μέγιστη δυνατότητα διάτρησης			
χάλυβας/ξύλο/τοιχοποιία	mm	13/19	13/19/13
Κωδ. καταλόγου μπαταρίας		A1114L	A1114L
Βάρος (χωρίς μπαταρία)	kg	1,33	1,38

		HP186F4L	HP188F4L
Τάση	V _{DC}	18	18
Ταχύτητα άφορτου κίνησης min ⁻¹		0-350/0-1.200	0-350/0-1.200
Μέγ. ροπή	Nm	33	34
Απόδοση τσακ	mm	13	13
Μέγιστη δυνατότητα διάτρησης			
χάλυβας/ξύλο/τοιχοποιία	mm	13/25	13/25/13
Κωδ. καταλόγου μπαταρίας		A1118L	A1118L
Βάρος (χωρίς μπαταρία)	kg	1,33	1,38

Μπαταρία		A1114L	A1118L
Τάση	V _{DC}	14,4	18
Χωρητικότητα	Ah	1,1	1,1
Βάρος	kg	0,37	0,44

Φορτιστής

Τάση δικτύου	V _{AC}	230
Χρόνος φόρτισης κατά προσέγγιση	h	1
Βάρος	kg	0,55

Δήλωση συμμόρφωσης με την Ευρωπαϊκή Κοινότητα

HP146F4L H1/HP148F4L H1/HP186F4L H1/HP188F4L H1
H Black & Decker δηλώνει ότι τα προϊόντα αυτά συμμορφώνονται με: 98/37/EK, EN 60745

Στάθμη πίεσης ήχου σύμφωνα με το πρότυπο EN 60745:
Πίεση ήχου (L_{PA}) 87,7 dB(A), αβεβαιότητα (K) 3 dB(A)
Ακουστική ισχύς (L_{WA}) 98,7 dB(A), αβεβαιότητα (K) 3 dB(A)

Τιμές συνολικής δόνησης (άθροισμα τριαξονικών ανυσιμάτων) αποφασισμένο σύμφωνα με EN 60745:

Διάτρηση κρούσης σε σκυρόδεμα (a_{h, ID}) 17,7 m/s²,
αβεβαιότητα (K) 1,5 m/s²

Διάτρηση κρούσης σε μέταλλο (a_{h, D}) 1,32 m/s²,
αβεβαιότητα (K) 1,5 m/s²

Βίδωμα χωρίς κρούση (a_{h, S}) 0,65 m/s², αβεβαιότητα (K) 1,5 m/s²

Ο υπογεγραμμένος είναι υπεύθυνος για τη σύνταξη του τεχνικού αρχείου και κάνει την παρών δήλωση εκ μέρους της Black & Decker.



Kevin Hewitt

Διευθυντής Εξυπηρέτησης Πελατών
Spennymoor, County Durham DL16 6JG,

Αγγλία
25-5-2009

Εγγύηση

Η Black & Decker είναι σίγουρη για την ποιότητα των προϊόντων της και παρέχει σημαντική εγγύηση. Η παρούσα γραπτή εγγύηση αποτελεί πρόσθετο δικαίωμά σας και δεν ζημιώνει τα συνταγματικά σας δικαιώματα. Η εγγύηση ισχύει εντός της επικράτειας των Κρατών Μελών της Ευρωπαϊκής Ένωσης και της Ευρωπαϊκής Ζώνης Ελευθέρων Συναλλαγών.

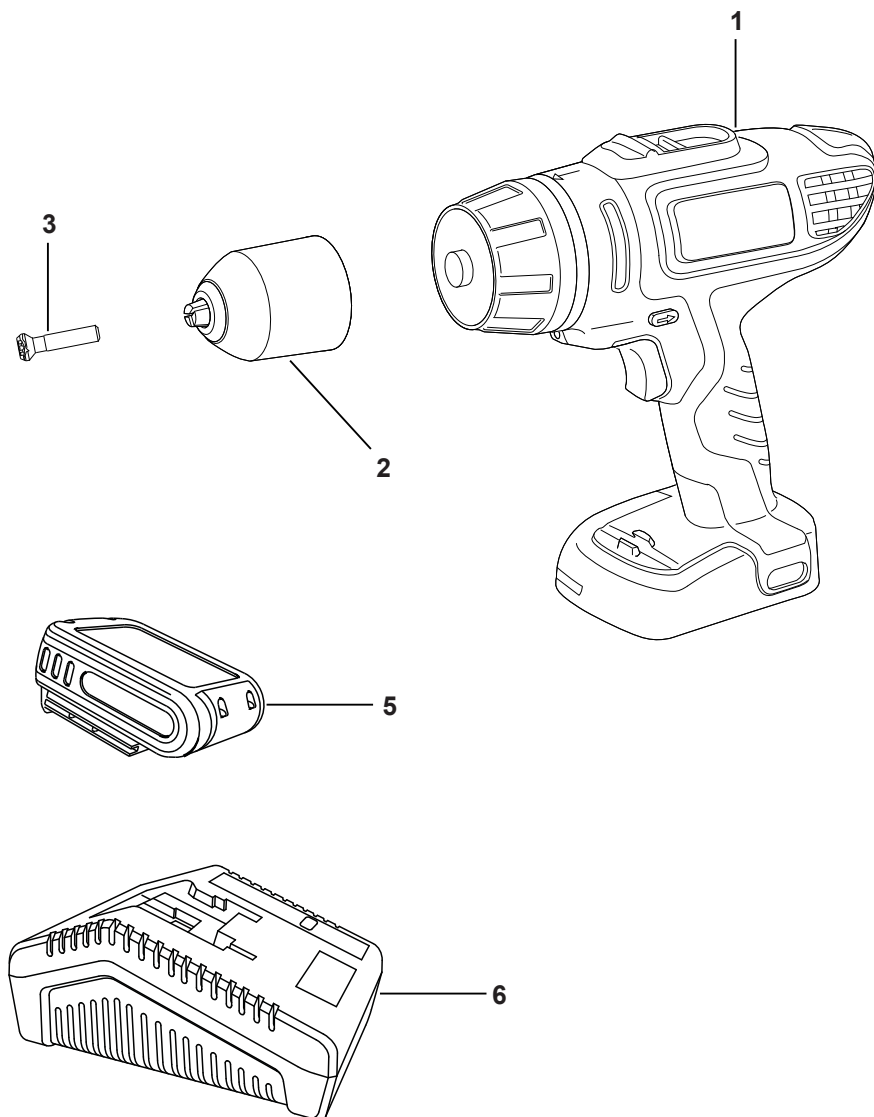
Σε περίπτωση που κάποιο προϊόν της Black & Decker παρουσιάσει βλάβη εξαιτίας ελαττωματικών υλικών, ποιότητας εργασίας ή έλλειψης συμφωνίας με τις προδιαγραφές εντός 24 μηνών από την ημερομηνία αγοράς, η Black & Decker εγγυάται την αντικατάσταση των ελαττωματικών τμημάτων, την επισκευή προϊόντων που έχουν υποστεί εύλογη φθορά λόγω χρήσης ή την αντικατάσταση των προϊόντων προκειμένου να εξασφαλίσει την ελάχιστη ενόχληση στους πελάτες της, εκτός αν:

- ◆ Το προϊόν έχει χρησιμοποιηθεί σε εργασιακό, επαγγελματικό περιβάλλον ή αν έχει νοικιαστεί
- ◆ Έχει γίνει εσφαλμένη χρήση του προϊόντος ή αν έχει παραμεληθεί
- ◆ Το προϊόν έχει υποστεί βλάβη από άλλα αντικείμενα, από ουσίες ή λόγω ατυχήματος

- ◆ Έχει γίνει προσπάθεια επισκευής από μη εξουσιοδοτημένα κέντρα επισκευών ή από προσωπικό που δεν ανήκει στο προσωπικό της Black & Decker
- Για να ισχύσει η εγγύηση, πρέπει να υποβάλετε απόδειξη αγοράς στον πωλητή ή το εξουσιοδοτημένο κέντρο επισκευών. Ενημερωθείτε για το πλησιέστερο κέντρο επισκευών της περιοχής σας, επικοινωνώντας με τα γραφεία της Black & Decker στη διεύθυνση που αναγράφεται στο εγχειρίδιο. Επίσης, για να πληροφορηθείτε για τα εξουσιοδοτημένα κέντρα επισκευών της Black & Decker, τις λεπτομέρειες και τους αρμόδιους των υπηρεσιών που παρέχονται μετά την πώληση, μπορείτε να ανατρέξετε στο Διαδίκτυο στη διεύθυνση: **www.2helpU.com**

Παρακαλούμε να επισκεφτείτε την ιστοσελίδα μας **www.blackanddecker.eu** για να καταχωρήσετε το νέο σας προϊόν Black & Decker και για να ενημερώνεστε για τα νέα προϊόντα και τις ειδικές προσφορές. Περισσότερες πληροφορίες σχετικά με τη μάρκα Black & Decker και τη σειρά προϊόντων μας θα βρείτε στη διεύθυνση **www.blackanddecker.eu**

Partial support - Only parts shown available
Nur die aufgeführten teile sind lieferbar
Réparation partielle - Seules les pièces indiquées sont disponibles
Supporto parziale - Sono disponibili soltanto le parti evidenziate
Solo estan disponibles las piezas listadas
So se encontram disponíveis as peças listadas
Gedeeltelijke ondersteuning - alleen de getoonde onderdelen
zijn beschikbaar



ENGLISH

Do not forget to register your product!

www.blackanddecker.co.uk/productregistration

Register your product online at www.blackanddecker.co.uk/productregistration or send your name, surname and product code to Black & Decker in your country.

DEUTSCH

Vergessen Sie nicht, Ihr Produkt registrieren zu lassen!

www.blackanddecker.de/productregistration

Lassen Sie Ihr Produkt unter www.blackanddecker.de/productregistration online registrieren oder schicken Sie Ihren Nachnamen, Vornamen und den Produktcode an Black & Decker in Ihrem Land.

FRANÇAIS

N'oubliez pas d'enregistrer votre produit !

www.blackanddecker.fr/productregistration

Enregistrez votre produit en ligne sur www.blackanddecker.fr/productregistration ou envoyez vos nom, prénom et code produit à Black & Decker dans votre pays.

ITALIANO

Non dimenticate di registrare il prodotto!

www.blackanddecker.it/productregistration

Registrate il prodotto online su www.blackanddecker.it/productregistration o inviate nome, cognome e codice del prodotto al centro Black & Decker del vostro paese.

NEDERLANDS

Vergeet niet uw product te registreren!

www.blackanddecker.nl/productregistration

U kunt uw product online registreren op www.blackanddecker.nl/productregistration of u kunt uw voornaam, achternaam en productcode opsturen naar Black & Decker in uw land.

ESPAÑOL

¡No olvide registrar su producto!

www.blackanddecker.es/productregistration

Registre su producto on-line en www.blackanddecker.es/productregistration o envíe su nombre, apellidos y código de producto a Black & Decker en su país.

PORTUGUÊS

Não se esqueça de registar o seu produto!

www.blackanddecker.pt/productregistration

Registe o seu produto online em www.blackanddecker.pt/productregistration ou envie o seu nome, apelido e código do produto para a Black & Decker no seu país.

SVENSKA

Glöm inte att registrera produkten!

www.blackanddecker.se/productregistration

Registrera produkten online på www.blackanddecker.se/productregistration eller skicka namn och produktkod till Black & Decker i landet du bor i.

NORSK

Ikke glem å registrere produktet ditt!

www.blackanddecker.no/productregistration

Registrer produktet ditt online på www.blackanddecker.no/productregistration, eller send ditt navn, etternavn og produktkode til Black & Decker i ditt eget land.

DANSK

Glem ikke at registrere dit produkt!

www.blackanddecker.dk/productregistration

Registrer dit produkt på internettet på: www.blackanddecker.dk/productregistration eller send dit navn, efternavn og produktkode til Black & Decker i dit eget land.

SUOMI

Muistathan rekisteröidä tuotteesi!

www.blackanddecker.fi/productregistration

Rekisteröi tuotteesi verkossa osoitteessa www.blackanddecker.fi/productregistration tai lähetä etunimesi, sukunimesi ja tuotekoodi oman maasi Black & Decker -edustajalle.

ΕΛΛΗΝΙΚΑ

Μην ξεχάσετε να καταχωρίσετε το προϊόν σας!

www.blackanddecker.gr/productregistration

Καταχωρίστε το προϊόν σας σε σύνδεση στη σελίδα www.blackanddecker.gr/productregistration ή στείλτε το όνομα, επίθετό σας και τον κωδικό προιωντός στη Black & Decker στη χώρα σας.

België/Belgique	Black & Decker (Belgium) N.V. Nieuwlandlaan 7 I.Z. Aarschot B156 3200 Aarschot	Tel. Fax	016 68 91 00 016 68 91 11
Danmark	Black & Decker Sluseholmen 2-4, 2450 København SV Internet: www.blackanddecker.dk	Tel. Fax	70 20 15 10 70 22 49 10
Deutschland	Black & Decker GmbH Black & Decker Str. 40, D - 65510 Idstein	Tel. Fax	06126/21 - 0 06126/21 29 80
Ελλάδα	Black & Decker (Ελλάς) Α.Ε. Σπύρβωνος 7 & Λεωφ. Βουλιαγμένης 159 166 74 Γλυφάδα - Αθήνα	Τηλ. Φαξ www.blackanddecker.eu	210 8981616 210 8983285
España	Black & Decker Ibérica, S.C.A. Parc de Negocis "Mas Blau" Edificio Muntadas, c/Bergadá, 1, Of. A6 08820 El Prat de Llobregat (Barcelona)	Tel. Fax	934 797 400 934 797 419
France	Black & Decker (France) S.A.S. 5 allée des Hêtres B.P. 30084 69579 Limonest Cédex	Tel. Fax	04 72 20 39 20 04 72 20 39 00
Helvetia	ROFO AG Gewerbezone Seeblick 3213 Kleinbödingen	Tel. Fax	026-6749391 026-6749394
Italia	Black & Decker Italia SpA Viale Elvezia 2 20052 Monza (MI)	Tel. Fax Numero verde	039-23871 039-2387592/2387594 800-213935
Nederland	Black & Decker Benelux Joulehof 12, 4622 RG Bergen op Zoom	Tel. Fax	0164 - 283000 0164 - 283100
Norge	Black & Decker (Norge) A/S Postboks 4814, Nydalen, 0422 Oslo Internet: www.blackanddecker.no	Tlf. Fax	22 90 99 00 22 90 99 01
Österreich	Black & Decker Vertriebsges.m.b.H Oberlaaerstraße 246, A1100 Wien	Tel. Fax	01 66116-0 01 66116-14
Portugal	Black & Decker Rua Egas Moniz 173 S. João do Estoril 2766-651 Estoril	Tel. Fax	214667500 214667580
Suomi	Black & Decker Oy Keilasatama 3, 02150 Espoo Black & Decker Oy, Kägelhamnen 3, 02150 Esbo	Puh. Faksi Tel. Fax	010 400 430 (09) 2510 7100 010 400 430 (09) 2510 7100
Sverige	Black & Decker AB Box 94, 431 22 Mölndal	Tel. Fax	031-68 60 60 031-68 60 80
United Kingdom	Black & Decker 210 Bath Road Slough, Berkshire SL1 3YD	Tel. Fax Helpline	01753 511234 01753 551155 01753 574277
Middle East & Africa	Black & Decker (Overseas) A.G. PB 5420, Dubai, United Arab Emirates	Tel. Fax	+971 4 2826464 +971 4 2826466