

[www.blackanddecker.eu](http://www.blackanddecker.eu)

**GKC1000L**  
**GKC1000LB**

EN

DE

FR

IT

NL

ES

PT

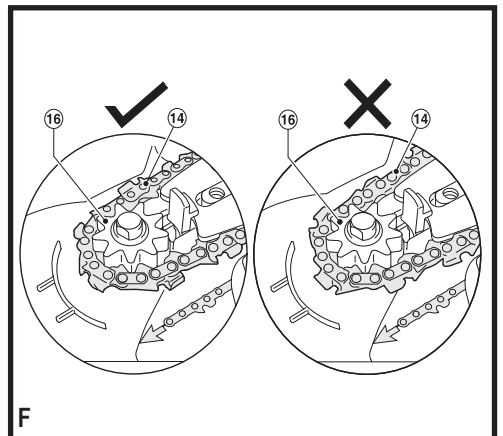
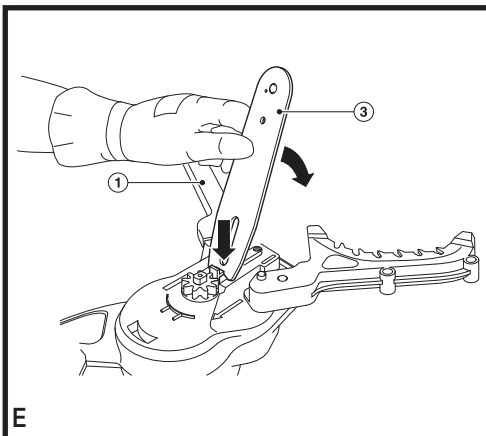
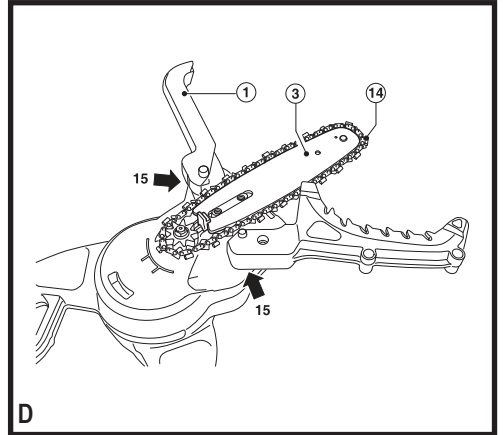
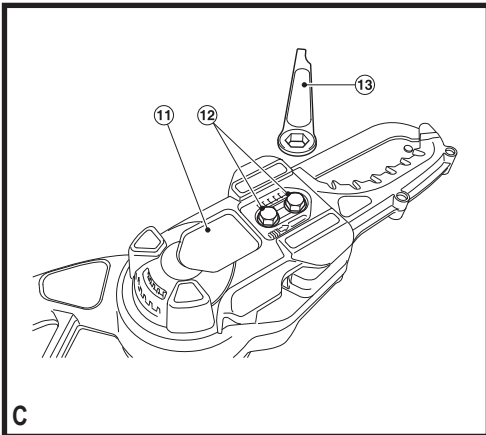
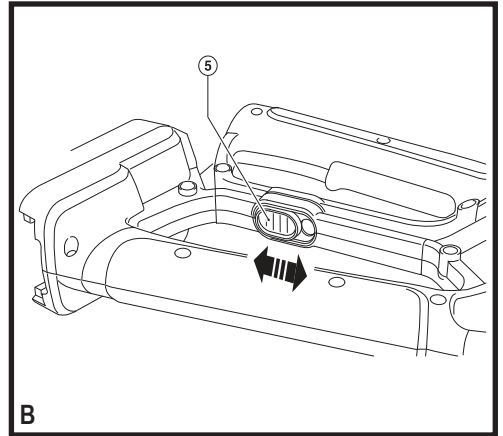
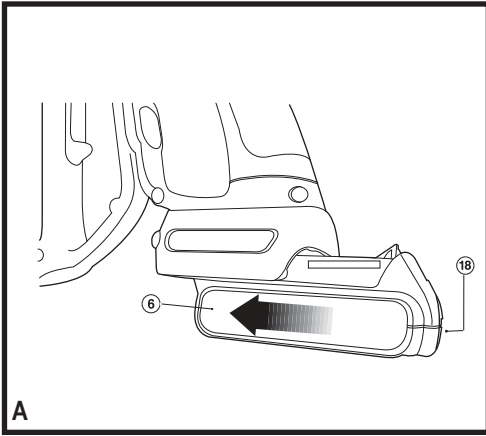
SV

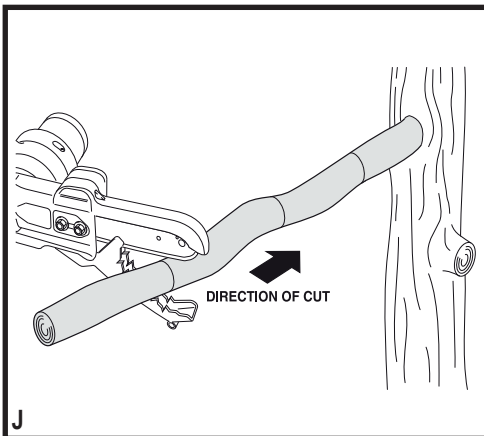
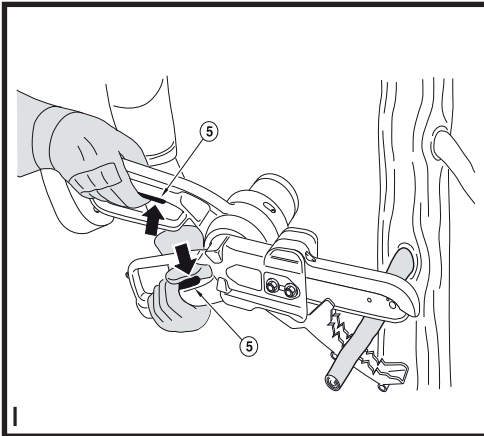
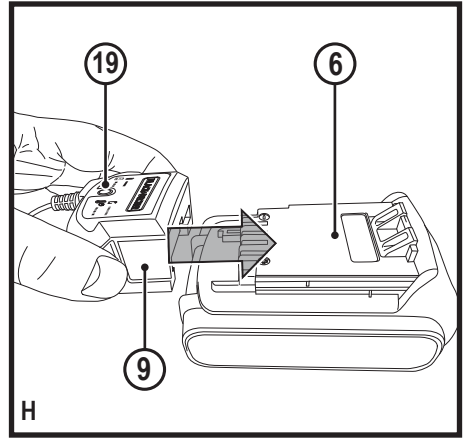
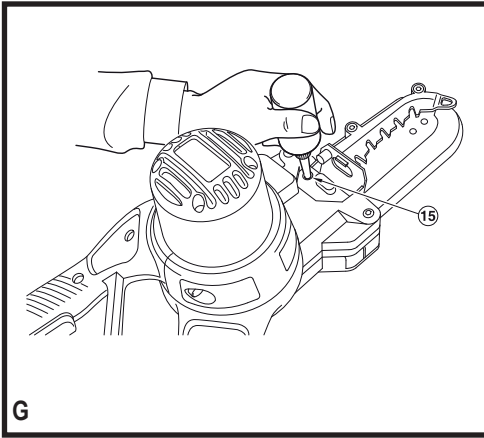
NO

DK

FI

EL





(Original instructions)

ENGLISH

### Intended use

Your BLACK+DECKER™, GKC1000L, GKC1000LB Alligator™ Lopper has been designed for trimming the branches of trees, cutting fallen branches and cutting small logs 25 mm to 100 mm in diameter while the operator is standing on the ground. This tool is intended for consumer use only.

### Safety instructions

#### General power tool safety warnings



**Warning! Read all safety warnings and all instructions.** Failure to follow the warnings and instructions listed below may result in electric shock, fire and/or serious injury.

#### Save all warnings and instructions for future reference.

The term "power tool" in all of the warnings listed below refers to your mains operated (corded) power tool or battery operated (cordless) power tool.

#### 1. Work area safety

- a. **Keep work area clean and well lit.** Cluttered or dark areas invite accidents.
- b. **Do not operate power tools in explosive atmospheres, such as in the presence of flammable liquids, gases or dust.** Power tools create sparks which may ignite the dust or fumes.
- c. **Keep children and bystanders away while operating a power tool.** Distractions can cause you to lose control.

#### 2. Electrical safety

- a. **Power tool plugs must match the outlet. Never modify the plug in any way. Do not use any adapter plugs**

with earthed (grounded) power tools. Unmodified plugs and matching outlets will reduce risk of electric shock.

- b. **Avoid body contact with earthed or grounded surfaces such as pipes, radiators, ranges and refrigerators.** There is an increased risk of electric shock if your body is earthed or grounded.
  - c. **Do not expose power tools to rain or wet conditions.** Water entering a power tool will increase the risk of electric shock.
  - d. **Do not abuse the cord. Never use the cord for carrying, pulling or unplugging the power tool. Keep cord away from heat, oil, sharp edges or moving parts.** Damaged or entangled cords increase the risk of electric shock.
  - e. **When operating a power tool outdoors, use an extension cord suitable for outdoor use.** Use of a cord suitable for outdoor use reduces the risk of electric shock.
  - f. **If operating a power tool in a damp location is unavoidable, use a residual current device (RCD) protected supply.** Use of an RCD reduces the risk of electric shock.
3. **Personal safety**
    - a. **Stay alert, watch what you are doing and use common sense when operating a power tool. Do not use a power tool while you are tired or under the influence of drugs, alcohol or medication.** A moment of inattention while operating power tools may result in serious personal injury.
    - b. **Use personal protective equipment. Always wear eye protection.** Protective equipment such as dust mask, non-skid safety shoes, hard hat, or hearing protection used for appropriate conditions will reduce personal injuries.
    - c. **Prevent unintentional starting. Ensure the switch is in the off-position before connecting to power source and/or battery pack, picking up or carrying the tool.** Carrying power tools with your finger on the switch or energising power tools that have the switch on invites accidents.
    - d. **Remove any adjusting key or wrench before turning the power tool on.** A wrench or a key left attached to a rotating part of the power tool may result in personal injury.
    - e. **Do not overreach. Keep proper footing and balance at all times.** This enables better control of the power tool in unexpected situations.
    - f. **Dress properly. Do not wear loose clothing or jewellery. Keep your hair, clothing and gloves away from moving parts.** Loose clothes, jewellery or long hair can be caught in moving parts.
    - g. **If devices are provided for the connection of dust extraction and collection facilities, ensure these are**

**connected and properly used.** Use of dust collection can reduce dust-related hazards.

- h. **Do not let familiarity gained from frequent use of tools allow you to become complacent and ignore tool safety principles.** A careless action can cause severe injury within a fraction of a second.
4. **Power tool use and care**
    - a. **Do not force the power tool. Use the correct power tool for your application.** The correct power tool will do the job better and safer at the rate for which it was designed.
    - b. **Do not use the power tool if the switch does not turn it on and off.** Any power tool that cannot be controlled with the switch is dangerous and must be repaired.
    - c. **Disconnect the plug from the power source and/or the battery pack from the power tool before making any adjustments, changing accessories, or storing power tools.** Such preventive safety measures reduce the risk of starting the power tool accidentally.
    - d. **Store idle power tools out of the reach of children and do not allow persons unfamiliar with the power tool or these instructions to operate the power tool.** Power tools are dangerous in the hands of untrained users.
    - e. **Maintain power tools. Check for misalignment or binding of moving parts, breakage of parts and any other condition that may affect the power tools operation. If damaged, have the power tool repaired before use.** Many accidents are caused by poorly maintained power tools.
    - f. **Keep cutting tools sharp and clean.** Properly maintained cutting tools with sharp cutting edges are less likely to bind and are easier to control.
    - g. **Use the power tool, accessories and tool bits etc. in accordance with these instructions, taking into account the working conditions and the work to be performed.** Use of the power tool for operations different from those intended could result in a hazardous situation.
    - h. **Keep handles and grasping surfaces dry, clean and free from oil and grease.** Slippery handles and grasping surfaces do not allow for safe handling and control of the tool in unexpected situations.
  5. **Battery tool use and care**
    - a. **Recharge only with the charger specified by the manufacturer.** A charger that is suitable for one type of battery pack may create a risk of fire when used with another battery pack.
    - b. **Use power tools only with specifically designated battery packs.** Use of any other battery packs may create a risk of injury and fire.
    - c. **When battery pack is not in use, keep it away from other metal objects, like paper clips, coins, keys,**

nails, screws, or other small metal objects, that can make a connection from one terminal to another.

Shorting the battery terminals together may cause burns or a fire.

- d. **Under abusive conditions, liquid may be ejected from the battery; avoid contact. If contact accidentally occurs, flush with water. If liquid contacts eyes, additionally seek medical help.** Liquid ejected from the battery may cause irritation or burns.
  - e. **Do not use a battery pack or tool that is damaged or modified.** Damaged or modified batteries may exhibit unpredictable behaviour resulting in fire, explosion or risk of injury.
  - f. **Do not expose a battery pack or tool to fire or excessive temperature.** Exposure to fire or temperature above 130°C may cause explosion.
  - g. **Follow all charging instructions and do not charge the battery pack or tool outside the temperature range specified in the instructions.** Charging improperly or at temperatures outside the specified range may damage the battery and increase the risk of fire.
6. **Service**
- a. **Follow all charging instructions and do not charge the battery pack or tool outside the temperature range specified in the instructions.** Charging improperly or at temperatures outside the specified range may damage the battery and increase the risk of fire.
  - b. **Never service damaged battery packs.** Service of battery packs should only be performed by the manufacturer or authorised service providers.

### Additional power tool safety warnings



**Warning!** Additional safety warnings for Alligator™ Lopper.

**Warning!** Never use the tool above shoulder height. Always position yourself out of the path of falling branches and debris.

**Warning!** Do not use this tool to fell trees.

- ◆ **Hold power tool by insulated gripping surfaces when performing an operation where the cutting tool may contact hidden wiring or its own cord.** Contact with a "live" wire will also make exposed metal parts of the power tool "live" and give the operator an electric shock.
- ◆ **Keep all parts of the body and clothing away from the saw chain at all times.** Before you start the tool, make sure the saw chain is not contacting anything. A moment of inattention while operating the tool may cause entanglement of your clothing or body with the saw chain. Hold the tool in front of you and be aware of the saw chain position especially when cutting branches near the ground.
- ◆ **Pre-plan a safe exit from falling branches and debris. Ensure the exit route is clear of obstacles that would prevent or hinder movement.** Remember wet grass and freshly cut bark is slippery.
- ◆ **Be aware of the direction that a branch may fall.** Consider all conditions that may affect the direction of fall, including:
  - ◆ The intended direction of fall.
  - ◆ The natural lean of the branch.
  - ◆ Any unusual heavy limb structure or decay.
  - ◆ Surrounding trees and obstacles including overhead lines.
  - ◆ The wind speed and direction.
- ◆ **The safe distance between a branch to be felled and bystanders, buildings and other objects is at least 2 1/2 times the length of the branch.** Any bystander, building or object within this distance is at risk from being struck by the falling branch.
- ◆ **When cutting a limb that is under tension be alert for spring back.** When the tension in the wood fibres is released the spring loaded limb may strike the operator and/or throw the tool out of control.
- ◆ Always wear suitable safety equipment such as non-skid safety shoes, hard hat, goggles, ear protection and gloves when operating the tool.
- ◆ Ensure someone is nearby (but at a safe distance) in case of an accident.
- ◆ Do not attempt to operate the tool when in a tree, on a ladder or standing on any other unstable support.
- ◆ Keep proper footing and balance at all times.
- ◆ Hold the tool firmly with both hands when the motor is running.
- ◆ Keep handles dry, clean, and free from oil and grease. Greasy, oily handles are slippery causing loss of control.
- ◆ Do not let the moving chain contact any object at the tip of the guide bar.
- ◆ Keep your saw chain properly tensioned. Check tension at regular intervals with the motor stopped and cord disconnected.
- ◆ Begin and continue cutting only with the chain moving at full speed.
- ◆ Watch for shifting branches or other forces that could close a cut and pinch or fall into the chain.
- ◆ Use extreme caution when re-entering a previous cut. Engage spikes on lower jaw into wood and allow the chain to reach full speed before proceeding with cut.
- ◆ Use of this tool for operation different to those intended could result in hazardous situations. Cut wood only. Don't use this tool for purposes not intended - for example - Don't use tool for cutting plastic, masonry or non wood building materials.
- ◆ If any debris gets caught with the guard or tool discontinue use, remove the battery and clear debris.

- ◆ Worn chains and chain guide bars should be replaced.
- ◆ Only use replacement bars and chains specified by the manufacturer.

**Residual risks**

Additional residual risks may arise when using the tool which may not be included in the enclosed safety warnings. These risks can arise from misuse, prolonged use etc. Even with the application of the relevant safety regulations and the implementation of safety devices, certain residual risks can not be avoided. These include:

- ◆ Injuries caused by touching any rotating/moving parts.
- ◆ Injuries caused when changing any parts, blades or accessories.
- ◆ Injuries caused by prolonged use of a tool. When using any tool for prolonged periods ensure you take regular breaks.
- ◆ Impairment of hearing.
- ◆ Health hazards caused by breathing dust developed when using your tool (example:- working with wood, especially oak, beech and MDF.)

**Vibration**

The declared vibration emission values stated in the technical data and the declaration of conformity have been measured in accordance with a standard test method provided by EN 60745 and may be used for comparing one tool with another. The declared vibration emission value may also be used in a preliminary assessment of exposure.

**Warning!** The vibration emission value during actual use of the power tool can differ from the declared value depending on the ways in which the tool is used. The vibration level may increase above the level stated.

When assessing vibration exposure to determine safety measures required by 2002/44/EC to protect persons regularly using power tools in employment, an estimation of vibration exposure should consider, the actual conditions of use and the way the tool is used, including taking account of all parts of the operating cycle such as the times when the tool is switched off and when it is running idle in addition to the trigger time.

**Labels on tool**

The following pictograms are shown on the tool along with the date code:



**Warning!** To reduce the risk of injury, the user must read the instruction manual.



Do not use your saw in wet conditions or expose it to rain.



Always wear eye protection.



Always wear ear protection.



Beware of falling objects



Keep bystanders away



Do not use ladders



To ensure continued safe operation, check the chain tension as described in this manual after every 10 minutes of use, and adjust back to a clearance of 3 mm as required. Oil the chain after every 10 minutes of use.



**Warning!** Do not touch saw chain at the chipping ejection point



Direction of rotation of the chain.



Directive 2000/14/EC guaranteed sound power.

**Additional safety instructions for batteries and chargers (not included with GKC1000LB)**

**Batteries (not included with GKC1000LB)**

- ◆ Never attempt to open for any reason.
- ◆ Do not expose the battery to water.
- ◆ Do not expose the battery to heat.
- ◆ Do not store in locations where the temperature may exceed 40°C.
- ◆ Charge only at ambient temperatures between 10°C and 40°C.
- ◆ Charge only using the charger provided with the appliance/tool. Using the wrong charger could result in an electric shock or overheating of the battery.
- ◆ When disposing of batteries, follow the instructions given in the section "Protecting the environment".
- ◆ Do not damage/deform the battery pack either by puncture or impact, as this may create a risk of injury and fire.
- ◆ Do not charge damaged batteries.

**Under extreme conditions, battery leakage may occur. When you notice liquid on the batteries, carefully wipe the liquid off using a cloth. Avoid skin contact.**

In case of skin or eye contact, follow the instructions below.

**Warning!** The battery fluid may cause personal injury or damage to property. In case of skin contact, immediately rinse with water. If redness, pain or irritation occurs seek medical attention. In case of eye contact, rinse immediately with clean water and seek medical attention.

### Chargers (not included with GKC1000LB)

**Warning!** Your charger has been designed for a specific voltage. Always check that the mains voltage corresponds to the voltage on the rating plate.

**Warning!** Never attempt to replace the charger unit with a regular mains plug.

- ◆ Use your BLACK+DECKER charger only to charge the battery in the appliance/tool with which it was supplied. Other batteries could burst, causing personal injury and damage.
- ◆ Never attempt to charge non-rechargeable batteries.
- ◆ If the supply cord is damaged, it must be replaced by the manufacturer or an authorised BLACK+DECKER Service Centre in order to avoid a hazard.
- ◆ Do not expose the charger to water.
- ◆ Do not open the charger.
- ◆ Do not probe the charger.
- ◆ The charger must be placed in a well ventilated area when charging.

### Labels on the charger (not included with GKC1000LB)

The following symbols are found on your charger:



The charger is intended for indoor use only.



Read the instruction manual before use.

### Electrical safety



Your charger is double insulated; therefore no earth wire is required. Always check that the mains voltage corresponds to the voltage on the rating plate. Never attempt to replace the charger unit with a regular mains plug.

- ◆ If the supply cord is damaged, it must be replaced by the manufacturer or an authorised BLACK+DECKER Service Centre in order to avoid a hazard.

### Features

1. Top jaw
2. Lower jaw
3. Chain guide bar
4. Oiling cover
5. Latch
6. Battery (not included with GKC1000LB)
7. On/off switch actuators

8. Chipping ejection point
9. Charger (not included with GKC1000LB)

### Assembly (battery and charger not included with GKC1000LB)

**Warning!** Before assembly, remove the battery (6) from the tool.

### Fitting and removing the battery (fig. A)

- ◆ To fit the battery (6), line it up with the receptacle on the tool. Slide the battery (6) into the receptacle and push until the battery (6) snaps into place.
- ◆ To remove the battery (6), push the release button (18) while at the same time pulling the battery (6) out of the receptacle.

### Opening the handles (fig. B)

- ◆ To open the handles, slide the latch (5) backwards and pull the handles apart.
- ◆ After use, close the handles and slide the latch (5) forward to the lock position. The handles should be locked during transportation and storage.

### Chain tension adjustment (fig. C)

**Warning!** Before adjusting the chain tension or any other adjustments, make sure that the tool is switched off and the battery removed.

**Warning!** The chain guide bar and the saw chain may be hot after use. Allow to cool before adjustment.

The product comes ready assembled. However we recommend that you check the tension of the saw chain (14), and chain access cover retention bolts before use and adjust if required.

### Checking and adjusting the saw chain tension (fig. C)

To tension the saw chain (14) slacken the two chain cover retention bolts (12) with the spanner (13) and the chain tensioning device will push the chain guide bar (3) out, setting the correct tension. Retighten the two retention bolts (12) securely.

Check the correct tension has been set by lightly pulling on the saw chain (14). The tension is correct when the saw chain snaps back after being pulled 3 mm away from the guide bar. There should be no "sag" between the chain guide bar (3) and the saw chain (14) on the underside.

**Note:** Do not over tension the saw chain as this will lead to excessive wear and reduce the life of the bar and saw chain. It will also lead to reduced product performance.

**Note:** With first use and when the saw chain is new, check tension frequently as a new saw chain stretches slightly.

## Replacing the saw chain and chain guide bar

After prolonged use the saw chain (14) and /or chain guide bar (3) may need replacing. Ensure only Black & Decker recommended replacements are used.

## Removing the saw chain and chain guide bar (fig. C & D)



Always wear protective gloves when installing or removing the saw chain (8). The saw chain is sharp and can cut you when it is not running.

**Warning!** The chain guide bar and the saw chain may be hot after use. Allow to cool before replacing.

- ◆ Place the tool on a firm surface.
- ◆ Rotate the two retention bolts (12) counter clockwise with the spanner (13) provided and remove completely.
- ◆ Remove the chain access cover (11).
- ◆ Slide the latch (5) to the unlock position, open the handles and pull back the top jaw (1).
- ◆ Pull back chain guide bar (3) and then lift the saw chain (14) out of the groove in the guide bar. The saw chain can then be removed from the unit.
- ◆ The chain guide bar (3) can then be angled up and removed.

## Assembling the chain guide bar and saw chain (fig. E & F)

**Warning!** Always wear protective gloves when installing or removing the saw chain. The saw chain is sharp and can cut you when it is not running.

- ◆ Ensure the operation is carried out on a firm surface.
- ◆ Slide the latch (5) to the unlock position, open the handles and pull back the top jaw (1).
- ◆ Insert the chain guide bar (3) into the space between the chain tensioner and align with the chain guide bar locator, angle the chain guide bar (3) down ensuring it is correctly located.
- ◆ Place the saw chain (14) around the front of the chain guide bar (3).
- ◆ Pull the chain guide bar (3) and the saw chain (14) back, engaging it in the groove in the chain guide bar (3) and then over the sprocket (16) positioning teeth in the correct position on the sprocket.
- ◆ Replace the chain access cover (11) and the two retention bolts (12) tightening securely.
- ◆ Ensure the saw chain (14) is fitted correctly with reference to the markings on the tool.

## Oiling (fig. G)

- ◆ Before first use and every ten minutes of use you must oil the product with the correct chain oil. (Cat No A6027) Open the oiling cover (4) and insert the bottle into the

oil filling hole (15), apply pressure to the bottle once to dispense oil.

- ◆ This should be adequate for about 10 minutes of cutting depending upon cutting speed and type of wood.

The hole feeds the oil through to the saw chain on to the chain guide bar (3) and an excessive amount of oil applied to the unit could mean the oil drips from the unit around the jaw area. This is normal and is nothing to be concerned about.

## Use

### Charging the battery (fig. H) (not included with GKC1000LB)

**Warning!** Do not charge the battery at ambient temperatures below 10°C or above 40°C. Recommended charging temperature is approximately 24°C.

**Note: The charger will not charge a battery pack if the cell temperature is below approximately 0°C or above 40°C. The battery should be left in the charger and the charger will begin to charge automatically when the cell temperature warms up or cools down.**

- ◆ To charge the battery (6), insert it into the charger (9). The battery will only fit into the charger one way. Do not force.
- ◆ Make sure that the battery pack is fully seated in the charger (9).
- ◆ Plug in the charger (9) and switch on at the mains.
- ◆ The charging indicator (19) will flash continuously (slowly).
- ◆ The charge is complete when the charging indicator (19) lights green continuously.
- ◆ The LED will change to flashing green (charging) state as the charger occasionally tops up the battery charge.
- ◆ The charging indicator (19) will be lit as long as the battery pack is connected to the plugged in charger (9).

Charge discharged batteries within 1 week. Battery life will be greatly diminished if stored in a discharged state.

### Leaving the battery in the charger

The charger and battery pack can be left connected with the LED glowing indefinitely. The charger will keep the battery pack fresh and fully charged.

### Charger diagnostics

If the charger detects a weak or damaged battery, the charging indicator will flash red at a fast rate. Proceed as follows:

- ◆ Re-insert the battery (6).
- ◆ If the charging indicator (19) continues flashing red at a fast rate, use a different battery to determine if the charging process works properly.
- ◆ If the replaced battery charges correctly, the original battery is defective and should be returned to a service centre for recycling.



- ◆ If the new battery gives the same indication as the original battery, take the charger to be tested at an authorised services centre.

**Note: It may take as long as 60 minutes to determine that the battery is defective.**

**If the battery is too hot or too cold, the LED will alternately blink red, fast and slow, one flash at each speed and repeat.**

### Preparation

- ◆ Carry out regular cleaning of the unit as described in the maintenance section and in particular cleaning inside the chain access cover (11).
- ◆ The lower jaw (2) and top jaw (1) are designed to close when one of the handles is released or when the piece of branch being cut has been cut. If this does not occur, discontinue use of the tool and remove the battery from the tool.
- ◆ Check if any debris is blocking movement. To help in this process it may be necessary to remove the chain access cover (11). If on assembly the problem is still present, return the unit to an authorised service centre.

### Switching on and off

**Warning!** Never attempt to lock or fix a switch actuator in the on position.

For your safety, this tool is equipped with a double switching system. This system prevents starting the tool inadvertently.

#### Switching on (fig. I)

Ensure a firm grip on the handles and then squeeze both switch actuators (7) to switch the unit on.

#### Switching off (fig. I)

Release either of the switches.

**Notes:** Both switches must be activated for the product to be used.

Do not force the tool - allow it to do the work. It will do a better and safer job at the speed for which it is designed. Excessive force will stretch the saw chain.

If the saw chain (14) or guide bar (3) becomes jammed:

- ◆ Switch the tool off.
- ◆ Disconnect the battery from the tool.

Open the cut with wedges to relieve the strain on the guide bar. Do not try to wrench the saw free. Start a fresh cut.

#### Trimming branches (fig. J)

Ensure that there are no local by-laws or regulations that would prohibit or control the trimming of the tree limbs.

- ◆ Make sure the tool is running at full speed before making a cut.
- ◆ Hold the tool firmly in place to avoid possible bouncing or sideways movement of the tool.

- ◆ Guide the tool using light pressure.
- ◆ Always cut down from the top. This way you will avoid pinching the saw chain (14).
- ◆ Remove branches as shown in figure I. Starting from the branch tip, reduce the branch in logical steps cutting off small sections.
- ◆ Remove the tool from the cut while it is running at full speed.

### Maintenance

Your BLACK+DECKER corded/cordless appliance/tool has been designed to operate over a long period of time with a minimum of maintenance. Continuous satisfactory operation depends upon proper tool care and regular cleaning.

**Warning!** Before performing any maintenance on corded/cordless power tools:

- ◆ Switch off and unplug the appliance/tool.
- ◆ Or switch off and remove the battery from the appliance/tool if the appliance/tool has a separate battery pack.
- ◆ Or run the battery down completely if it is integral and then switch off.
- ◆ Unplug the charger before cleaning it. Your charger does not require any maintenance apart from regular cleaning.

Regularly clean the ventilation slots in your appliance/tool/charger using a soft brush or dry cloth.

Regularly clean the motor housing using a damp cloth. Do not use any abrasive or solvent-based cleaner.

Regularly open the chuck and tap it to remove any dust from the interior (when fitted).

### Cleaning

- ◆ Regularly remove the chain access cover (11) and remove any debris that has become trapped.
- ◆ Regularly clean the ventilation slots with a clean, dry paint brush.
- ◆ To clean the tool, use only mild soap and a damp cloth. Never let any liquid get inside the tool and never immerse any part of the tool into liquid.

### Oiling

- ◆ Regularly oil the oiling points (15) as indicated in figure D.

### Transport

- ◆ Always transport the tool with the jaws closed and the latch (5) in the locked position.

### Saw Chain sharpening

If you are to get the best possible performance from the tool it is important to keep the teeth of the saw chain sharp. Guidance for this procedure is found on the sharpener package. For this purpose we recommend the purchase of BLACK+DECKER saw chain sharpening kit A6039 (available from BLACK+DECKER service agents and selected dealers).

## Replacing worn out saw chains

Replacement saw chains are available through retailers or BLACK+DECKER service agents. Always use genuine spare parts.

## Saw chain sharpness

The saw chain cutters will blunt immediately if they touch the ground or a nail while cutting.

## Saw chain tension

Regularly check the saw chain tension.

## What to do if your chainsaw needs repair

Your tool is in accordance with the relevant safety requirements. Repairs should only be carried out by a qualified person using original spare parts otherwise this may result in considerable danger to the user. We recommend you keep this user manual in a safe place.

## Storage

When the tool will not be used for several months, wipe any metal components with oil. Ideally, leave the battery (6) connected to the charger.

## Proceed as follows:

- ◆ Fully charge the battery (6).
- ◆ Remove the battery (6) from the tool.
- ◆ Store the tool and battery (6) in a secure and dry location. The storage temperature must always remain in the range of +5°C to +40°C. Place the battery (6) on a level surface.
- ◆ Before using the tool after prolonged storage, fully charge the battery (6) again.

## Protecting the environment



Separate collection. Products and batteries marked with this symbol must not be disposed of with normal household waste.

Products and batteries contain materials that can be recovered or recycled, reducing demand for raw materials. Please recycle electrical products and batteries according to local provisions. Further information is available at [www.2helpU.com](http://www.2helpU.com).

## Technical data

		GKC1000L H3	GKC1000LB H3
Voltage	V <sub>DC</sub>	18	18
Chain speed (No-load)	min <sup>-1</sup>	1.9	1.9
Maximum diameter of cut	mm	100	100
Weight	kg	3.1	3.1

Battery	BL2018	GKC1000LB not included
Voltage	V <sub>DC</sub>	18
Capacity	Ah	2.0
Type		Li-Ion
Charger	906349** TYPE 1	GKC1000LB not included
Input Voltage	V <sub>AC</sub>	200–240
Output Voltage	V <sub>DC</sub>	8–20
Output Current	mA	1000
Approx. charge time	h	2

Guaranteed sound pressure level measured according to EN60745:

L<sub>pA</sub> (sound pressure) 85 dB(A), uncertainty (K) 3 dB(A)  
L<sub>WA</sub> (sound power) 95 dB(A), uncertainty (K) 2.3 dB(A)  
L<sub>WA</sub> (guaranteed sound power) 97 dB(A)

Vibration total values (triax vector sum) according to EN 60745:

Cutting freshly felled softwood (a<sub>v</sub>) = 4.9 m/s<sup>2</sup>, uncertainty (K) = 1.5 m/s<sup>2</sup>

## EC declaration of conformity

MACHINERY DIRECTIVE

OUTDOOR NOISE DIRECTIVE



GKC1000L, GKC1000LB – Alligator™ Lopper

Black & Decker declares that these products described under "technical data" are in compliance with:

EN 60745-1:2009 +A11:2010

These products also comply with Directive 2006/42/EC, 2014/30/EU and 2011/65/EU.

For more information, please contact Black & Decker at the following address or refer to the back of the manual.

The undersigned is responsible for compilation of the technical file and makes this declaration on behalf of

Black & Decker.

A. P. Smith  
Technical Director  
Black & Decker Europe, 210 Bath Road, Slough,  
Berkshire, SL1 3YD  
United Kingdom  
14/03/2019

The Alligator™ Lopper is the subject of patent and design applications in Europe, the United States and other countries around the world. ALLIGATOR is a trade mark of the Black & Decker Corporation.

## Garantie

Black & Decker is confident of the quality of its products and offers consumers a 24 month guarantee from the date of purchase. This guarantee is in addition to and in no way prejudices your statutory rights. The guarantee is valid within the territories of the Member States of the European Union and the European Free Trade Area.

To claim on the guarantee, the claim must be in accordance with Black & Decker Terms and Conditions and you will need to submit proof of purchase to the seller or an authorised repair agent. Terms and conditions of the Black&Decker 2 year guarantee and the location of your nearest authorised repair agent can be obtained on the Internet at [www.2helpU.com](http://www.2helpU.com), or by contacting your local Black & Decker office at the address indicated in this manual.

Please visit our website [www.blackanddecker.co.uk](http://www.blackanddecker.co.uk) to register your new Black & Decker product and receive updates on new products and special offers.

## Verwendungszweck

Der Astschneider BLACK+DECKER™ GKC1000L, GKC1000LB Alligator™ ist für den Beschnitt von Baumästen, für das Sägen von herabgefallenen Ästen und für das Sägen kleinerer Stämme mit einem Durchmesser von 25 mm bis 100 mm vorgesehen. Voraussetzung ist in jedem Fall, dass der Bediener auf dem Boden steht. Dieses Gerät ist nicht für den gewerblichen Einsatz vorgesehen.

## Sicherheitshinweise

### Allgemeine Sicherheitswarnungen für das Gerät



**Warnung! Lesen Sie alle Sicherheitswarnhinweise und alle Anweisungen.** Die Nichteinhaltung der folgenden Warnungen und Anweisungen kann einen elektrischen Schlag, Brand und/oder schwere Verletzungen verursachen.

**Bewahren Sie alle Sicherheitswarnungen und Anweisungen gut auf.** Der nachfolgend verwendete Begriff "Gerät" bezieht sich auf netzbetriebene Geräte (mit Netzkabel) und auf akkubetriebene Geräte (ohne Netzkabel).

### 1. Sicherheit im Arbeitsbereich

- a. **Halten Sie Ihren Arbeitsbereich sauber und gut ausgeleuchtet.** Unaufgeräumte oder dunkle Bereiche begünstigen Unfälle.
- b. **Betreiben Sie das Gerät nicht in Umgebungen, in denen Explosionsgefahr z. B. aufgrund von brennbaren Flüssigkeiten, Gasen oder Staub besteht.** Geräte erzeugen Funken, die den Staub oder die Dämpfe entzünden können.
- c. **Halten Sie Kinder und andere Personen während der Benutzung eines Geräts fern.** Bei Ablenkung können Sie die Kontrolle verlieren.

### 2. Elektrische Sicherheit

- a. **Der Netzstecker des Geräts muss in die Steckdose passen. Ändern Sie niemals den Stecker in irgendeiner Form. Verwenden Sie keinerlei Adapterstecker an geerdeten Elektrogeräten.** Unveränderte Stecker und passende Steckdosen mindern die Gefahr eines elektrischen Schlages.
- b. **Vermeiden Sie Körperkontakt mit geerdeten Oberflächen von Rohren, Heizungen, Herden und Kühlschränken.** Es besteht eine erhöhte Gefahr für einen elektrischen Schlag, wenn Ihr Körper geerdet ist.
- c. **Halten Sie Geräte von Regen und Nässe fern.** Das Eindringen von Wasser in ein Gerät erhöht das Risiko eines elektrischen Schlages.

- d. **Verwenden Sie das Kabel ordnungsgemäß.** Verwenden Sie es niemals zum Tragen. Trennen Sie das Gerät nicht durch Ziehen am Kabel vom Netz. Halten Sie das Kabel fern von Hitze, Öl, scharfen Kanten oder beweglichen Teilen. Beschädigte oder verhedderte Kabel erhöhen die Gefahr eines elektrischen Schlags.
- e. **Verwenden Sie nur für den Außenbereich zugelassene Verlängerungskabel, wenn Sie mit dem Gerät im Freien arbeiten.** Die Verwendung eines für den Außenbereich geeigneten Verlängerungskabels verringert das Risiko eines elektrischen Schlags.
- f. **Wenn das Gerät in einer feuchten Umgebung verwendet werden muss, schließen Sie es unbedingt an eine Steckdose mit Fehlerstromschutzschalter (FI-Schalter) an.** Ein Fehlerstromschutzschalter verringert das Risiko eines elektrischen Schlags.
3. **Sicherheit von Personen**
- a. **Seien Sie aufmerksam, achten Sie darauf, was Sie tun, und gehen Sie sachgerecht mit einem Gerät um. Benutzen Sie kein Gerät, wenn Sie müde sind oder unter dem Einfluss von Drogen, Alkohol oder Medikamenten stehen.** Ein Moment der Unachtsamkeit beim Betrieb eines Geräts kann zu schweren Verletzungen führen.
- b. **Verwenden Sie eine geeignete Schutzausrüstung. Tragen Sie immer einen Augenschutz.** Das Tragen persönlicher Schutzausrüstung, wie Staubmaske, rutschfeste Sicherheitsschuhe, Schutzhelm oder Gehörschutz, je nach Art und Einsatz des Geräts, verringert das Risiko von Verletzungen.
- c. **Vermeiden Sie eine unbeabsichtigte Inbetriebnahme. Vergewissern Sie sich, dass das Gerät ausgeschaltet ist, bevor Sie es an eine Steckdose oder einen Akku anschließen, es hochheben oder tragen.** Wenn Sie beim Tragen des Geräts den Finger am Schalter haben oder das Gerät eingeschaltet an die Stromversorgung anschließen, kann dies zu Unfällen führen.
- d. **Entfernen Sie Einstell- oder Schraubenschlüssel, bevor Sie das Gerät einschalten.** Werkzeuge oder Schlüssel, die an rotierenden Teilen des Geräts angebracht sind, können zu Verletzungen führen.
- e. **Beugen Sie sich nicht zu weit nach vorne. Sorgen Sie für einen sicheren Stand und halten Sie jederzeit das Gleichgewicht.** Dadurch können Sie das Gerät in unerwarteten Situationen besser kontrollieren.
- f. **Tragen Sie geeignete Kleidung. Tragen Sie keine weite Kleidung und keinen Schmuck. Halten Sie Ihre Haare, Kleidung und Handschuhe von beweglichen Teilen fern.** Lose sitzende Kleidung, Schmuck oder lange Haare können sich in den beweglichen Teilen verfangen.
- g. **Falls Vorrichtungen zum Absaugen oder Auffangen von Staub vorhanden sind, vergewissern Sie sich, dass diese angeschlossen sind und richtig verwendet werden.** Das Verwenden einer Staubauffangvorrichtung verringert Gefährdungen durch Staub.
- h. **Vermeiden Sie, durch die häufige Nutzung des Werkzeugs in einen Trott zu verfallen und Prinzipien für die Werkzeugsicherheit zu ignorieren.** Eine unachtsame Aktion kann im Bruchteil einer Sekunde zu schweren Verletzungen führen.
4. **Gebrauch und Pflege von Geräten**
- a. **Überlasten Sie das Gerät nicht. Verwenden Sie das für Ihre Arbeit passende Gerät.** Das richtige Gerät wird die Aufgabe besser und sicherer erledigen, wenn es bestimmungsgemäß verwendet wird.
- b. **Verwenden Sie das Gerät nicht, wenn der Ein-/Ausschalter nicht funktioniert.** Ein Gerät, das sich nicht mehr ein- oder ausschalten lässt, ist gefährlich und muss repariert werden.
- c. **Ziehen Sie den Stecker aus der Steckdose, oder trennen Sie das Gerät vom Akku, bevor Sie Einstellungen vornehmen, Zubehörteile wechseln oder das Gerät lagern.** Diese Vorbeugemaßnahmen mindern die Gefahr, dass das Elektrogerät unbeabsichtigt startet.
- d. **Bewahren Sie unbenutzte Geräte außerhalb der Reichweite von Kindern auf. Lassen Sie Geräte nicht von Personen benutzen, die damit nicht vertraut sind oder diese Anweisungen nicht gelesen haben.** Geräte sind in den Händen nicht geschulter Personen gefährlich.
- e. **Halten Sie das Gerät in einem einwandfreien Zustand. Kontrollieren Sie, ob bewegliche Teile falsch ausgerichtet sind oder klemmen und ob Teile gebrochen oder so beschädigt sind, dass die Funktion des Geräts beeinträchtigt ist. Bei Beschädigungen lassen Sie das Gerät reparieren, bevor Sie es verwenden.** Viele Unfälle entstehen wegen mangelnder Wartung der Geräte.
- f. **Halten Sie Schneidgeräte scharf und sauber.** Richtig gewartete Schneidwerkzeuge mit scharfen Klingen blockieren seltener und sind leichter unter Kontrolle zu halten.
- g. **Verwenden Sie Gerät, Zubehör, Einsatz-Bits usw. entsprechend diesen Anweisungen und berücksichtigen Sie dabei die Arbeitsbedingungen und die auszuführende Arbeit.** Der Gebrauch von Geräten für andere als die vorgesehenen Zwecke kann zu gefährlichen Situationen führen.
- h. **Halten Sie die Griffe trocken, sauber und frei von Öl und Fett.** Rutschige Griffe und Oberflächen unterbinden die sichere Bedienbarkeit und Kontrolle über das Werkzeug in unerwarteten Situationen.

**5. Gebrauch und Pflege von Akkuwerkzeugen**

- a. **Laden Sie den Akku nur mit dem vom Hersteller vorgesehenen Ladegerät auf.** Für ein Ladegerät, das nur für eine bestimmte Akkuart geeignet ist, besteht Brandgefahr, wenn es mit anderen Akkus verwendet wird.
  - b. **Verwenden Sie nur die für das jeweilige Gerät vorgesehenen Akkus.** Die Verwendung anderer Akkus kann zu Verletzungen oder Bränden führen.
  - c. **Bewahren Sie den Akku bei Nichtbenutzung nicht in der Nähe metallischer Objekte wie Büroklammern, Münzen, Schlüsseln, Nägeln oder Schrauben auf, da diese eine Verbindung zwischen beiden Polen des Akkus herstellen können.** Durch den dadurch entstehenden Kurzschluss kann der Akku in Brand geraten.
  - d. **Bei falscher Anwendung kann Flüssigkeit aus dem Akku austreten. Vermeiden Sie den Kontakt damit. Bei unbeabsichtigtem Kontakt mit Wasser abspülen. Gelangt die Flüssigkeit in die Augen, ziehen Sie außerdem ärztliche Hilfe hinzu.** Austretende Akkuflüssigkeit kann zu Hautreizungen oder Verbrennungen führen.
  - e. **Verwenden Sie keine Akkus oder Werkzeuge, die beschädigt sind oder modifiziert wurden.** Beschädigte oder modifizierte Akkus können sich unvorhersehbar verhalten und stellen ein Risiko von Feuer, Explosionen oder Verletzungen dar.
  - f. **Setzen Sie Akkus und Werkzeuge keinem Feuer oder extremen Temperaturen aus.** Die Einwirkung von Feuer oder Temperaturen über 130°C kann zu Explosionen führen.
  - g. **Befolgen Sie alle Anweisungen zum Aufladen und laden Sie den Akku oder das Werkzeug nicht jenseits des in der Anleitung angegebenen Temperaturbereichs auf.** Das falsche Aufladen oder das Aufladen bei Temperaturen jenseits des angegebenen Bereichs kann den Akku beschädigen und das Brandrisiko erhöhen.
6. **Service**
    - a. **Befolgen Sie alle Anweisungen zum Aufladen und laden Sie den Akku oder das Werkzeug nicht jenseits des in der Anleitung angegebenen Temperaturbereichs auf.** Das falsche Aufladen oder das Aufladen bei Temperaturen jenseits des angegebenen Bereichs kann den Akku beschädigen und das Brandrisiko erhöhen.
    - b. **Führen Sie an beschädigten Akkus niemals Wartungsarbeiten durch.** Die Wartung von Akkus darf nur vom Hersteller oder von autorisierten Dienstleistern durchgeführt werden.

**Zusätzliche Sicherheitswarnungen für das Gerät**

**Warnung!** Zusätzliche Sicherheitswarnungen für den Alligator™-Astschnneider.

**Warnung!** Verwenden Sie das Gerät niemals über Schulterhöhe. Stellen Sie sich immer so auf, dass Sie nicht von herabfallenden Ästen oder Holzstücken getroffen werden können.

**Warnung!** Dieses Gerät darf nicht zum Fällen von Bäumen verwendet werden.

- ◆ **Halten Sie das Elektrowerkzeug an den isolierten Griffflächen, wenn Arbeiten durchgeführt werden, bei denen das Schneidewerkzeug versteckte Leitungen oder die eigene Anschlussleitung berühren könnte.** Der Kontakt mit stromführenden Leitungen setzt auch offen liegende Metallteile am Gerät unter Strom und kann zu Stromschlägen führen.
- ◆ **Halten Sie alle Körper- und Kleidungsstücke von der Kette fern, während das Gerät in Betrieb ist.** Vergewissern Sie sich vor dem Starten des Werkzeugs, dass die Kette keine Gegenstände berührt. Ein Moment der Unachtsamkeit während des Betriebs kann dazu führen, dass die Kette Körper- oder Kleidungsstücke berührt. Halten Sie das Gerät vor dem Körper, und achten Sie auf die Position der Kette, insbesondere wenn Sie Äste in Bodennähe schneiden.
- ◆ **Planen Sie einen sicheren Fluchtweg vor herabfallenden Ästen und Holzstücken. Achten Sie darauf, dass der Fluchtweg frei von Hindernissen ist, die Ihre Bewegungsfreiheit stören könnten.** Berücksichtigen Sie, dass feuchtes Gras und frisch geschnittene Baumrinde rutschig sind.
- ◆ **Schätzen Sie die Richtung ab, in die ein Ast fallen kann.** Berücksichtigen Sie dabei alle Faktoren, die Fallrichtung beeinflussen können:
  - ◆ Gewünschte Fallrichtung.
  - ◆ Wuchsbedingte Neigung des Astes.
  - ◆ Morschheit oder außergewöhnlich schwere Holzstruktur
  - ◆ Bäume und Hindernisse in der Umgebung (evtl. frei verlegte Stromleitungen)
  - ◆ Windgeschwindigkeit und Windrichtung
- ◆ **Der Sicherheitsabstand zwischen dem zu schneidenden Ast und Zuschauern, Gebäuden und anderen Gegenständen beträgt mindestens das 2,5-fache der Astlänge.** Für Gegenstände, Gebäude und Zuschauer innerhalb dieses Abstandsbereichs besteht die Gefahr, von dem herabfallenden Ast getroffen zu werden.
- ◆ **Beim Durchschneiden eines Astes, der unter Spannung steht, kann dieser zurückschnellen.** Wenn die Spannung in den Holzfasern freigesetzt wird, kann der

Ast den Bediener treffen und/oder gegen das Werkzeug schlagen und dieses außer Kontrolle bringen.

- ◆ Tragen Sie bei der Arbeit mit dem Gerät immer geeignete Schutzkleidung. Dazu gehören rutschfeste Sicherheitsschuhe, ein Schutzhelm, eine Schutzbrille, ein Gehörschutz und Handschuhe.
- ◆ Stellen Sie sicher, dass sich für den Fall eines Unfalls jemand in der Nähe befindet (jedoch in ausreichendem Sicherheitsabstand).
- ◆ Arbeiten Sie nicht mit dem Gerät, während Sie im Baum, auf einer Leiter oder einer anderen instabilen Fläche stehen.
- ◆ Sorgen Sie für einen sicheren Stand und halten Sie jederzeit das Gleichgewicht.
- ◆ Halten Sie das Gerät fest mit beiden Händen, während der Motor läuft.
- ◆ Halten Sie die Griffe trocken, sauber und öl- und fettfrei. Schmierige, ölige Griffe sind rutschig. Dadurch ist die Kontrolle über das Gerät nicht mehr gewährleistet.
- ◆ Bei laufender Kette darf die Spitze des Führungsschwerts nicht mit einem Gegenstand in Kontakt kommen.
- ◆ Die Kette muss immer richtig gespannt sein. Prüfen Sie die Kettenspannung regelmäßig bei stehendem Motor und abgezogenem Stromkabel.
- ◆ Zu Beginn und während des Schnitts muss die Kette immer mit voller Geschwindigkeit laufen.
- ◆ Achten Sie auf die Bewegung des geschnittenen Astes und auf andere Kräfte, die dazu führen könnten, dass sich der Schnittspalt schließt und die Kette einklemmt oder dass Holz in die laufende Kette fällt.
- ◆ Arbeiten Sie mit höchster Vorsicht, wenn Sie die Säge in einen vorhandenen Schnittspalt einführen. Setzen Sie die Zacken des unteren Klauenbügels am Holz an, und warten Sie, bis die Kette ihre volle Geschwindigkeit erreicht hat, bevor Sie den Schnitt fortsetzen.
- ◆ Der Gebrauch des Gerätes für andere als die vorgesehenen Anwendungen kann zu gefährlichen Situationen führen. Schneiden Sie nur in Holz. Verwenden Sie dieses Gerät nicht zweckentfremdet. Schneiden Sie mit dem Gerät beispielsweise keinen Kunststoff, kein Mauerwerk und keine Baumaterialien, die nicht aus Holz sind.
- ◆ Wenn sich zwischen Kette und Kettenschutz oder an anderen Stellen des Geräts Materialreste verfangen, entnehmen Sie den Akku, und beseitigen Sie das Material.
- ◆ Verschlossene Ketten und Führungsschwerter müssen ausgetauscht werden.
- ◆ Als Ersatzteile dürfen nur die vom Hersteller bezeichneten Schwerter und Ketten verwendet werden.

Sicherheitswarnungen genannt werden. Diese Risiken bestehen beispielsweise bei Missbrauch oder längerem Gebrauch.

Auch bei der Einhaltung der entsprechenden Sicherheitsvorschriften und der Verwendung aller Sicherheitsgeräte bestehen weiterhin bestimmte Restrisiken. Diese sind:

- ◆ Verletzungen, die durch das Berühren von sich drehenden/bewegenden Teilen verursacht werden.
- ◆ Verletzungen, die durch das Austauschen von Teilen, Messern oder Zubehör verursacht werden.
- ◆ Der längere Gebrauch eines Geräts kann Verletzungen zur Folge haben. Legen Sie bei längerem Gebrauch regelmäßige Pausen ein.
- ◆ Schwerhörigkeit.
- ◆ Gesundheitsrisiken durch das Einatmen von Staub beim Gebrauch des Geräts (z. B. bei Holzarbeiten, insbesondere Eiche, Buche und Pressspan).

### Vibration

Die in den Abschnitten "Technische Daten" und "EG-Konformitätserklärung" angegebenen Werte für die Vibrationsemission wurden mit einer Standard-Prüfmethode nach EN 60745 ermittelt und können zum Vergleich verschiedener Geräte herangezogen werden. Außerdem kann mit Hilfe dieses Werts die Belastung bei Verwendung des Geräts schon im Voraus eingeschätzt werden.

**Warnung!** Die bei Verwendung des Geräts auftretende Vibrationsemission hängt von der Art des Gerätegebrauchs ab und kann dementsprechend von dem angegebenen Wert abweichen. Gegebenenfalls kann die Vibration über dem angegebenen Wert liegen.

Für die Ermittlung der Vibrationsbelastung müssen die tatsächlichen Einsatzbedingungen und Verwendungen des Geräts während des gesamten Arbeitsgangs berücksichtigt werden, einschließlich der Zeiten, wenn das Gerät nicht verwendet oder im Leerlauf betrieben wird. Diese Werte werden benötigt, um die gemäß 2002/44/EG erforderlichen Sicherheitsmaßnahmen zum Schutz von Personen festlegen zu können.

### Etiketten am Werkzeug

Am Gerät sind die folgenden Piktogramme inkl. Datumscode angebracht:



**Warnung!** Lesen Sie vor Gebrauch die Anleitung. Andernfalls besteht Verletzungsgefahr.



Verwenden Sie die Säge nicht in nasser Umgebung, und schützen Sie sie vor Regen.

### Restrisiken

Beim Gebrauch dieses Geräts verbleiben zusätzliche Restrisiken, die möglicherweise nicht in den



Tragen Sie immer einen Augenschutz.



Tragen Sie stets einen Gehörschutz.



Achten Sie auf herabfallende Gegenstände



Halten Sie Zuschauer aus dem Gefahrenbereich fern



Arbeiten Sie nicht mit dem Gerät, während Sie auf einer Leiter stehen

Um ein kontinuierlich sicheres Arbeiten zu gewährleisten, kontrollieren Sie die Kettenspannung wie in diesem Handbuch beschrieben nach jeweils 10 Minuten Betrieb der Kettensäge. Stellen Sie die Kettenspannschraube ggf. wieder auf die vorgeschriebenen 3 mm Spiel ein. Ölen Sie die Kette nach jeweils 10 Minuten Betrieb



**Warnung!** Greifen Sie nicht am Spanauswurf in die Sägekette



Drehrichtung der Kette.



Garantierter Schalldruckpegel, gemessen nach Richtlinie 2000/14/EG

## Zusätzliche Sicherheitshinweise für Akkus und Ladegeräte (nicht im Lieferumfang von GKC1000LB enthalten)

### Akkus (nicht im Lieferumfang von GKC1000LB enthalten)

- ◆ Keinesfalls versuchen, den Akku zu öffnen.
- ◆ Achten Sie darauf, dass der Akku nicht mit Wasser in Berührung kommt.
- ◆ Setzen Sie den Akku keinen hohen Temperaturen aus.
- ◆ Nicht bei Temperaturen über 40 °C lagern.
- ◆ Laden Sie den Akku ausschließlich bei Umgebungstemperaturen zwischen 10 °C und 40 °C.
- ◆ Verwenden Sie ausschließlich das mit dem Gerät gelieferte Ladegerät. Das Verwenden eines falschen Ladegeräts kann zu einem Stromschlag oder dem Überhitzen des Akkus führen.
- ◆ Beachten Sie bei der Entsorgung von Batterien und Akkus die Hinweise im Abschnitt "Umweltschutz".

- ◆ Der Akku darf nicht durch mechanische Krafteinwirkung oder Belastungen beschädigt oder verformt werden. Andernfalls besteht Verletzungs- und Brandgefahr.
- ◆ Laden Sie beschädigte Akkus nicht auf.

**Unter extremen Bedingungen können Akkus undicht werden. Wenn Sie feststellen, dass aus der Batterie Flüssigkeit austritt, wischen Sie diese vorsichtig mit einem Tuch ab. Vermeiden Sie Hautkontakt. Beachten Sie nach Haut- oder Augenkontakt die folgenden Hinweise.**

**Warnung! Batteriesäure kann Sach- oder Personenschäden verursachen. Spülen Sie die Säure bei Hautkontakt sofort mit Wasser ab. Suchen Sie einen Arzt auf, wenn sich auf der Haut Rötungen, Reizungen oder andere Irritationen zeigen. Spülen Sie das Auge nach Augenkontakt sofort mit sauberem Wasser aus, und suchen Sie einen Arzt auf.**

### Ladegeräte (nicht im Lieferumfang von GKC1000LB enthalten)

**Warnung! Das Ladegerät ist für eine bestimmte Spannung ausgelegt. Stellen Sie sicher, dass die Netzspannung der auf dem Typenschild des Geräts angegebenen Spannung entspricht.**

**Warnung! Ersetzen Sie das Ladegerät keinesfalls durch ein normales Netzkabel.**

- ◆ Verwenden Sie das BLACK + DECKER Ladegerät nur für den Akku des Geräts, mit dem es geliefert wurde. Andere Akkus können platzen und Sachschäden oder Verletzungen verursachen.
- ◆ Versuchen Sie keinesfalls, nicht aufladbare Batterien zu laden.
- ◆ Bei einer Beschädigung des Netzkabels muss dieses durch den Hersteller oder eine BLACK+DECKER-Werkstatt ausgetauscht werden, um mögliche Gefahren zu vermeiden.
- ◆ Achten Sie darauf, dass das Ladegerät nicht mit Wasser in Berührung kommt.
- ◆ Versuchen Sie nicht, das Ladegerät zu öffnen.
- ◆ Nehmen Sie am Ladegerät keine Veränderungen vor.
- ◆ Während der Akku geladen wird, muss auf ausreichende Belüftung geachtet werden.

### Etiketten am Ladegerät (nicht im Lieferumfang von GKC1000LB enthalten)

Am Ladegerät sind die folgenden Symbole angebracht:



Das Ladegerät darf nur im Innenbereich verwendet werden.



Vor Gebrauch die Anleitung lesen.

## Elektrische Sicherheit



Das Ladegerät ist schutzisoliert, daher ist keine Erdleitung erforderlich. Stellen Sie sicher, dass die Netzspannung der auf dem Typenschild des Geräts angegebenen Spannung entspricht. Ersetzen Sie das Ladegerät keinesfalls durch ein normales Netzkabel.

- ◆ Bei einer Beschädigung des Netzkabels muss dieses durch den Hersteller oder eine BLACK+DECKER Vertragswerkstatt ausgetauscht werden, um mögliche Gefahren zu vermeiden.

## Merkmale

1. Obere Klaue
2. Untere Klaue
3. Kettenführungsschwert
4. Abdeckung für die Ölschmierung
5. Riegel
6. Akku (nicht im Lieferumfang von GKC1000LB)
7. Ein-/Aus-Schalter
8. Spanauswurf
9. Ladegerät (nicht im Lieferumfang von GKC1000LB)

## Montage (Akku und Ladegerät nicht im Lieferumfang von GKC1000LB enthalten)

**Warnung!** Entfernen Sie vor der Montage den Akku (6) aus dem Gerät.

## Einsetzen und Entnehmen des Akkus (Abb. A)

- ◆ Um den Akku (6) einzusetzen, richten Sie ihn an der Aufnahme am Gerät aus. Schieben Sie den Akku (6) in die Aufnahme bis der Akku (6) in die richtige Position gelangt und einrastet.
- ◆ Um den Akku (6) zu entfernen, drücken Sie die Entriegelungstaste (18) und schieben Sie gleichzeitig den Akku (6) aus der Aufnahme.

## Öffnen der Griffe (Abb. B)

- ◆ Um die Griffe zu öffnen, schieben Sie die Verriegelung (5) zurück und drücken Sie die Griffe auseinander.
- ◆ Schließen Sie nach jedem Gebrauch die Griffe und schieben Sie die Verriegelung (5) nach vorn in die verriegelte Position. Die Griffe sollten während des Transports und zur Aufbewahrung blockiert sein.

## Einstellen der Kettenspannung (Abb. C)

**Warnung!** Vergewissern Sie sich vor dem Einstellen der Kettenspannung oder anderen Einstellungen, dass das Gerät ausgeschaltet ist und der Akku entfernt wurde.

**Warnung!** Das Führungsschwert und die Sägekette können nach Gebrauch des Geräts heiß sein. Lassen Sie das Gerät abkühlen, bevor Sie Einstellungen vornehmen.

Das Produkt wird vollständig zusammengebaut geliefert. Es empfiehlt sich jedoch, vor der ersten Verwendung die Spannung der Kettensäge (14) sowie den Sitz der Arretierungsschrauben an der Kettenschutzhaube zu überprüfen und ggf. zu korrigieren.

## Prüfen und Einstellen der Kettenspannung (Abb. C)

Um die Sägekette (14) zu spannen, lösen Sie mit dem Schraubenschlüssel (13) die beiden Arretierungsschrauben (12) an der Kettenschutzhaube. Die Kettenspannvorrichtung drückt das Führungsschwert (3) nach außen. Damit ergibt sich automatisch die richtige Spannung. Ziehen Sie die beiden Arretierungsschrauben (12) wieder fest an. Überprüfen Sie die Kettenspannung, indem Sie die Kette (14) leicht vom Führungsschwert wegziehen. Die Spannung ist dann richtig, wenn die Kette in einem Abstand von 3 mm vom Führungsschwert zurückschnappt. Die Kette (14) muss auch an der Unterseite des Führungsschwerts (3) eng anliegen. Es darf kein Durchhang vorhanden sein.

**Hinweis:** Überspannen Sie die Kette nicht. Dies würde den Verschleiß erhöhen und die Lebensdauer von Kette und Führungsschwert verkürzen. Außerdem würde sich dadurch die Geräteleistung verringern.

**Hinweis:** Wenn eine neue Kette die ersten Male verwendet wird, muss die Spannung häufiger geprüft werden, da sich neue Ketten etwas dehnen.

## Austauschen der Sägekette und des Führungsschwerts

Nach längerem Gebrauch müssen eventuell die Kette (14) und/oder das Führungsschwert (3) erneuert werden. Achten Sie darauf, nur von Black & Decker empfohlene Ersatzteile zu verwenden.

## Entfernen der Sägekette und des Führungsschwerts (Abb. C und D)



Tragen Sie beim Aufziehen und Abnehmen der Sägekette (8) immer eine Schutzbrille. Die Sägekette ist scharf und kann auch in ruhendem Zustand zu Schnittverletzungen führen.

**Warnung!** Das Führungsschwert und die Sägekette können nach Gebrauch des Geräts heiß sein. Warten Sie, bis sich diese Teile abgekühlt haben.

- ◆ Legen Sie das Gerät auf eine stabile Unterlage.
- ◆ Drehen Sie die beiden Arretierungsschrauben (12) mit dem mitgelieferten Schraubenschlüssel (13) gegen den Uhrzeigersinn.
- ◆ Nehmen Sie die Kettenschutzhaube ab (11).
- ◆ Schieben Sie die Verriegelung (5) in die entriegelte Position, öffnen Sie die Griffe, und ziehen Sie die obere Klaue (1) zurück.



- ◆ Ziehen Sie das Führungsschwert (3) zurück, und heben Sie die Sägekette (14) aus der Nut im Führungsschwert. Die Kette kann nun vom Gerät abgenommen werden.
- ◆ Das Führungsschwert (3) kann anschließend angewinkelt und entfernt werden.

### Anbringen des Führungsschwerts und der Kette (Abb. E und F)

**Warnung!** Tragen Sie beim Aufziehen und Abnehmen der Sägekette immer eine Schutzbrille. Die Sägekette ist scharf und kann auch in ruhendem Zustand zu Schnittverletzungen führen.

- ◆ Legen Sie das Gerät unbedingt auf eine stabile Unterlage.
- ◆ Schieben Sie die Verriegelung (5) in die entriegelte Position, öffnen Sie die Griffe, und ziehen Sie die obere Klaue (1) zurück.
- ◆ Setzen Sie das Führungsschwert (3) neben dem Kettenspanner ein, richten Sie es am Führungsbolzen aus, und kippen Sie das Führungsschwert (3) nach unten bis es in die richtige Position gelangt.
- ◆ Legen Sie die Kette (14) um die Spitze des Führungsschwerts (3).
- ◆ Ziehen Sie die Kette (14) und das Führungsschwert (3) zurück, und legen Sie die Kette in die Rille im Führungsschwert (3) und dann um das Antriebskettenrad (16). Die Zähne müssen in die richtige Richtung weisen.
- ◆ Legen Sie die Kettenschutzhaube (11) wieder auf, und ziehen Sie die Arretierungsschrauben (12) fest an.
- ◆ Achten Sie darauf, dass die Kette (14) korrekt und entsprechend der Werkzeugmarkierungen eingesetzt wurde.

### Ölen (Abb. G)

- ◆ Bevor das Gerät das erste Mal verwendet wird, muss es mit geeignetem Kettenöl geölt werden (Katalognr. A6027). Dasselbe gilt anschließend nach jeweils 10 Minuten Betrieb. Öffnen Sie die Abdeckung für die Ölschmierung (4), und setzen Sie die Flaschentülle in die Befüllöffnung (15) ein. Drücken Sie dann ein Mal auf die Flasche, so dass Öl austritt.
- ◆ Abhängig von der Schnittgeschwindigkeit und der Holzsorte genügt die damit eingefüllte Menge für ca. 10 Minuten.

Das Öl gelangt durch die Öffnung auf die Kette und damit auf das Führungsschwert (3). Wurde zu viel Öl eingefüllt, tropft dieses im Bereich der Klauen aus dem Gerät. Dies ist normal und verlangt keine weiteren Maßnahmen.

### Verwendung

#### Aufladen des Akkus (Abb. H) (nicht im Lieferumfang von GKC1000LB enthalten)

**Warnung!** Laden Sie den Akku nicht, wenn die

Umgebungstemperatur unter 10°C oder über 40°C liegt. Empfohlene Ladetemperatur: circa 24°C.

**Hinweis: Das Ladegerät lädt keine Akkus auf, deren Zellentemperatur unter circa 0°C oder über 40°C Lassen Sie in diesem Fall den Akku im Ladegerät. Das Ladegerät beginnt automatisch mit dem Ladevorgang, sobald sich die Zellen erwärmt bzw. abgekühlt haben.**

- ◆ Setzen Sie den Akku (6) in das Ladegerät (9) ein, um diesen zu laden. Der Akku kann nur in einer Ausrichtung in das Ladegerät eingesetzt werden. Erzwingen Sie den Arbeitsvorgang nicht.
- ◆ Achten Sie darauf, dass der Akku ordnungsgemäß im Ladegerät (9) positioniert ist.
- ◆ Schließen Sie das Ladegerät (9) an eine Steckdose an, und schalten Sie die Stromversorgung ein.
- ◆ Die Ladeanzeige (19) blinkt durchgängig (langsam).
- ◆ Der Ladevorgang ist abgeschlossen, wenn die Ladeanzeige (19) dauerhaft grün leuchtet.
- ◆ Die LED-Anzeige beginnt erneut, grün zu blinken (Ladezustand), wenn der Akku gelegentlich nachgeladen wird.
- ◆ Solange der Akku mit dem angeschlossenen Ladegerät (9) verbunden ist, leuchtet die Ladeanzeige (19).

Ein entladener Akku sollte innerhalb einer Woche wieder aufgeladen werden. Die Lebensdauer des Akkus wird erheblich reduziert, wenn dieser in entladendem Zustand aufbewahrt wird.

#### Belassen des Akkus im Ladegerät

Sie können den Akku auf unbestimmte Zeit im Ladegerät belassen.

In diesem Fall leuchtet die LED-Anzeige dauerhaft. Das Ladegerät hält den Akku immer einsatzbereit und vollständig aufgeladen.

#### Diagnose des Ladegeräts

Wenn das Gerät feststellt, dass der Akku beschädigt ist, beginnt die Ladeanzeige in schneller Folge rot zu blinken. Gehen Sie wie folgt vor:

- ◆ Setzen Sie den Akku (6) erneut ein.
- ◆ Falls die Ladeanzeige (19) weiterhin in schneller Folge rot aufblinkt, verwenden Sie einen anderen Akku, um herauszufinden, ob der Ladevorgang ordnungsgemäß ausgeführt wird.
- ◆ Wenn der ersetzte Akku ordnungsgemäß geladen wird, ist der ursprüngliche Akku defekt. Geben Sie diesen in einer Vertragswerkstatt ab, damit er recycelt werden kann.
- ◆ Wenn bei dem neuen Akku dieselbe Anzeige erscheint wie bei dem ursprünglichen Akku, lassen Sie das Ladegerät von einer autorisierten Vertragswerkstatt überprüfen.

**Hinweis: Es kann bis zu 60 Minuten dauern, bis sich herausstellt, ob der Akku tatsächlich defekt ist.**

**Falls der Akku zu warm oder zu kalt sein sollte, blinkt die LED-Anzeige abwechselnd langsam und schnell rot auf. Die Anzeige blinkt hierbei einmal langsam, einmal schnell. Danach wiederholt sich der Vorgang.**

### Zubereitung

- ◆ Reinigen Sie das Gerät regelmäßig, wie im Abschnitt Wartung beschrieben. Vergessen Sie insbesondere nicht, die Kettenschutzhaube (11) von innen zu reinigen.
- ◆ Die untere Klaue (2) und die obere Klaue (1) schließen sich automatisch, wenn einer der Griffe losgelassen wird oder wenn ein Aststück vollkommen durchtrennt ist. Falls sich die Klauen nicht schließen sollten, stellen Sie den Gebrauch des Gerätes sofort ein und entfernen Sie den Akku aus dem Gerät.
- ◆ Prüfen Sie, ob die Bewegung durch Ablagerungen oder Fremdkörper blockiert wird. Dafür kann es notwendig sein, die Kettenschutzhaube (11) abzunehmen. Tritt die Störung nach dem Anbringen der Kettenschutzhaube erneut auf, lassen Sie das Gerät in einer Vertragswerkstatt überprüfen.

### Ein- und Ausschalten

**Warnung!** Versuchen Sie niemals, ein Schalterbetätigungselement in seiner Einschaltstellung zu arretieren oder zu fixieren.

Das Gerät ist zu Ihrer Sicherheit mit einer Zweihandbetätigung ausgestattet. Diese verhindert das versehentliche Einschalten.

#### Einschalten (Abb. I)

Halten Sie das Gerät mit beiden Händen an den Griffen sicher fest. Drücken Sie dann beide Schalter (7), um das Gerät einzuschalten.

#### Ausschalten (Abb. I)

Lassen Sie einen der beiden Schalter los.

**Hinweise:** Das Gerät läuft nur an, wenn beide Schalter gedrückt sind. Überlasten Sie das Gerät nicht. Beschleunigen Sie den Arbeitsvorgang nicht mit Gewalt. Das Gerät funktioniert sicherer und liefert bessere Ergebnisse, wenn Sie es mit seiner konstruktionsbedingten Geschwindigkeit arbeiten lassen. Übermäßiger Krafteinsatz dehnt die Kette aus.

Falls die Kette (14) oder das Führungsschwert (3) festklemmt:

- ◆ Schalten Sie das Werkzeug aus.
- ◆ Entfernen Sie den Akku aus dem Gerät.

Öffnen Sie den Schnittspalt mit Keilen, um den Druck vom Führungsschwert zu nehmen. Versuchen Sie nicht, die Säge mit Ruck- oder Drehbewegungen frei zu bekommen. Beginnen Sie an anderer Stelle einen neuen Schnitt.

#### Rückschnitt von Ästen (Abb. J)

Vergewissern Sie sich, dass der Rückschnitt von Bäumen und Gehölzen nicht durch lokale Verordnungen oder Gesetze

eingeschränkt oder untersagt wird.

- ◆ Vergewissern Sie sich, dass das Gerät seine volle Geschwindigkeit erreicht hat, bevor Sie die Kette ansetzen.
- ◆ Halten Sie das Gerät fest in seiner Position, um Rückschlag- und Seitwärtsbewegungen des Gerätes zu verhindern.
- ◆ Führen Sie das Gerät nur mit leichtem Druck.
- ◆ Schneiden Sie immer von oben nach unten. So vermeiden Sie, dass die Kette (14) eingeklemmt wird.
- ◆ Kürzen Sie Äste so, wie in Abbildung I dargestellt. Beginnen Sie an der Astspitze, und kürzen Sie die Länge schrittweise ein. Schneiden Sie dabei immer nur kleinere Stücke ab.
- ◆ Heben Sie das Gerät bei voller Kettengeschwindigkeit aus dem Schnittspalt.

### Wartung

Ihr BLACK+DECKER Gerät (mit und ohne Netzkabel) wurde im Hinblick auf eine lange Lebensdauer und einen möglichst geringen Wartungsaufwand entwickelt. Ein kontinuierlicher, zufriedenstellender Betrieb hängt von der richtigen Pflege des Gerätes und seiner regelmäßigen Reinigung ab.

**Warnung!** Vor dem Ausführen jeglicher Wartungsarbeiten an Geräten mit und ohne Netzkabel:

- ◆ Schalten Sie das Gerät aus, und ziehen Sie den Netzstecker.
- ◆ Wenn das Gerät über einen separaten Batteriepack oder Akku verfügt, schalten Sie das Gerät ab, und entnehmen Sie die Batterien aus dem Gerät.
- ◆ Wenn der Akku integriert ist, entladen Sie diesen vor dem Abschalten vollständig.
- ◆ Ziehen Sie das Ladegerät aus der Netzsteckdose, bevor Sie es reinigen. Das Ladegerät benötigt keine Wartung, es sollte jedoch regelmäßig gereinigt werden.

Reinigen Sie regelmäßig die Lüftungsschlitze des Gerätes und des Ladegeräts mit einer weichen Bürste oder einem trockenen Tuch.

Reinigen Sie das Motorgehäuse regelmäßig mit einem feuchten Tuch. Verwenden Sie keine scheuernden Reinigungsmittel oder Reinigungsmittel auf Lösungsmittelbasis.

Öffnen Sie regelmäßig das Spannfutter, und entfernen Sie durch Klopfen ggf. Staub aus dem Inneren des Geräts.

### Reinigung

- ◆ Nehmen Sie regelmäßig die Kettenschutzhaube (11) ab, und entfernen Sie sämtliche Ablagerungen, die sich festgesetzt haben.
- ◆ Reinigen Sie die Lüftungsschlitze regelmäßig mit einem sauberen, trockenen Pinsel.
- ◆ Reinigen Sie das Gerät ausschließlich mit milder Seifenlösung und einem angefeuchteten Tuch. Achten

Sie darauf, dass keine Flüssigkeit in das Gerät gelangt. Tauchen Sie kein Teil des Geräts in Flüssigkeit ein.

## Ölen

- ◆ Geben Sie regelmäßig Öl auf die Ölungspunkte (15), wie in Abbildung D dargestellt.

## Transport

- ◆ Transportieren Sie das Gerät immer mit geschlossenen Klauen und mit der Verriegelung (5) in der verriegelten Position.

## Schärfen der Sägekette

Um eine optimale Schneidleistung zu erhalten, muss die Sägekette regelmäßig geschärft werden. Anleitungen hierzu finden Sie auf der Verpackung des Schärfers. Wir empfehlen den Kauf des BLACK+DECKER Kettenschärfersatzes A6039 (erhältlich bei Ihrer BLACK+DECKER Vertretung und im Fachhandel).

## Erneuern einer verschlissenen Kette

Austauschketten sind über den Fachhandel oder bei einer BLACK+DECKER Vertretung erhältlich. Verwenden Sie ausschließlich Originalersatzteile.

## Schärfe der Sägekette

Die Zähne der Kette werden sofort stumpf, wenn sie beim Sägen den Boden oder einen Nagel berühren.

## Kettenspannung

Überprüfen Sie regelmäßig die Spannung der Kette.

## Was ist zu tun, wenn die Kettensäge repariert werden muss?

Ihr Gerät erfüllt alle einschlägigen Sicherheitsbestimmungen. Reparaturen sind nur von autorisierten Fachkräften und mit Originalersatzteilen vorzunehmen. Andernfalls besteht Unfall- und Verletzungsgefahr. Bewahren Sie diese Anleitung an einem sicheren Ort auf.

## Aufbewahrung

Wenn das Gerät für mehrere Monate nicht benutzt werden soll, wischen Sie alle Metallteile mit Öl ab. Der Akku (6) sollte am besten im Ladegerät verbleiben.

## Gehen Sie folgendermaßen vor:

- ◆ Laden Sie den Akku (6) vollständig auf.
- ◆ Entfernen Sie den Akku (6) aus dem Gerät.
- ◆ Bewahren Sie das Gerät und den Akku (6) an einem sicheren und trockenen Ort auf. Die Temperatur am Aufbewahrungsort muss immer im Bereich von +5°C bis +40°C liegen. Legen Sie den Akku (6) auf einem waagerechten Untergrund ab.

- ◆ Nach langer Lagerzeit sollte vor der Verwendung des Geräts der Akku (6) voll aufgeladen werden.

## Umweltschutz



Getrennte Entsorgung. Produkte und Akkus mit diesem Symbol dürfen nicht als normaler Hausmüll entsorgt werden.

Produkte und Akkus enthalten Materialien, die wiederverwertet werden können, um den Bedarf an Rohstoffen zu verringern. Bitte recyceln Sie elektrische Produkte und Akkus gemäß den örtlichen Bestimmungen. Weitere Informationen finden Sie auf [www.2helpU.com](http://www.2helpU.com).

## Technische Daten

		GKC1000L H3	GKC1000LB H3
Spannung	V <sub>DC</sub>	18	18
Kettengeschwindigkeit (Leerlauf)	min <sup>-1</sup>	1,9	1,9
Maximaler Schnittdurchmesser	mm	100	100
Gewicht	kg	3,1	3,1

Akku		BL2018	GKC1000LB nicht enthalten
Spannung	V <sub>DC</sub>	18	
Kapazität	Ah	2,0	
Typ		Li-Ionen	
Ladegerät		906349** TYP 1	GKC1000LB nicht enthalten
Eingangsspannung	V <sub>AC</sub>	200-240	
Ausgangsspannung	V <sub>DC</sub>	8-20	
Ausgangsstrom	mA	1000	
Ungefähre Ladezeit	h.	2	

### Garantierter Schalldruckpegel, gemessen nach EN60745:

(L<sub>pA</sub>) Schalldruck 85 dB(A), Unsicherheitsfaktor (K) 3 dB(A)  
 (L<sub>wA</sub>) Schalldruck 95 dB(A), Unsicherheitsfaktor (K) 2,3 dB(A)  
 L<sub>wA</sub> (garantierten Schalleistungs) 97 dB(A)

### Gesamtvibration (Triax-Vektorsumme) gemäß EN 60745:

Schneiden von frisch gefälltem Weichholz (ah) = 4,9 m/s<sup>2</sup>,  
 Unsicherheitsfaktor (K) = 1,5 m/s<sup>2</sup>

## EU-Konformitätserklärung

### MASCHINENRICHTLINIE

### AUSSENLAUTSTÄRKERICHTLINIE



GKC1000L, GKC1000LB – Astschneider Alligator™

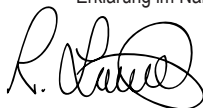
Black & Decker erklärt, dass die in den technischen Daten beschriebenen Geräte übereinstimmen mit:

EN 60745-1:2009 +A11:2010

Diese Produkte entsprechen außerdem der Richtlinie 2006/42/EC, 2014/30/EU und 2011/65/EU.

Weitere Informationen erhalten Sie von Black & Decker unter der folgenden Adresse. Diese befindet sich auch auf der Rückseite dieser Anleitung.

Der Unterzeichnete ist verantwortlich für die Zusammenstellung der technischen Daten und gibt diese Erklärung im Namen von Black & Decker ab.



A. P. Smith  
Technical Director  
Black & Decker Europe, 210 Bath Road, Slough,  
Berkshire, SL1 3YD  
Vereinigtes Königreich  
14/03/2019

Für den Astschneider Alligator™ wurden in Europa, den Vereinigten Staaten und in anderen Ländern weltweit Patentschutz sowie Geschmacksmusterschutz beantragt. ALLIGATOR ist eine Marke der Black & Decker Corporation.

## Garantie

Black & Decker vertraut auf die Qualität der eigenen Geräte und bietet dem Käufer eine außergewöhnliche Garantie von 24 Monaten ab Kaufdatum. Diese Garantie versteht sich unbeschadet der gesetzlichen Gewährleistungsansprüche und schränkt diese keinesfalls ein. Diese Garantie gilt innerhalb der Staatsgebiete der Mitgliedstaaten der Europäischen Union und der Europäischen Freihandelszone.

Zur Inanspruchnahme dieser Garantie muss sie den allgemeinen Geschäftsbedingungen von Black & Decker entsprechen und dem Verkäufer bzw. der Vertragswerkstatt ist ein Kaufnachweis vorzulegen. Die Bedingungen für die 2-jährige Garantie von Black&Decker und den Standort Ihrer nächstgelegenen Vertragswerkstatt finden Sie im Internet unter [www.2helpU.com](http://www.2helpU.com) oder indem Sie sich an die lokale Black&Decker-Niederlassung wenden, deren Adresse Sie in dieser Anleitung finden.

Ihr neues Black & Decker Produkt können Sie auf unserer Website unter [www.blackanddecker.de](http://www.blackanddecker.de) registrieren. Dort erhalten Sie auch Informationen über neue Produkte und Sonderangebote.

## Utilisation prévue

Votre élagueuse BLACK+DECKER™, GKC1000L, GKC1000LB Alligator™ a été conçue pour tailler des branches d'arbres, couper les branches mortes et couper de petites bûches de 25 mm à 100 mm de diamètre, l'utilisateur se tenant debout au sol. Cet outil est destiné à un usage grand public uniquement.

## Consignes de sécurité

### Avertissements de sécurité générale liés aux outils électriques



**Avertissement ! Lisez tous les avertissements de sécurité et toutes les instructions.** Le non-respect des avertissements et des instructions listés ci-dessous peut entraîner des chocs électriques, des incendies et/ou de graves blessures.

**Conservez tous les avertissements et toutes les instructions afin de pouvoir vous y référer dans le futur.** Le terme "outil électrique" mentionné dans tous les avertissements listés ci-dessous fait référence à vos outils électriques branchés sur secteur (avec câble) ou fonctionnant sur pile ou batterie (sans fil).

#### 1. Sécurité de la zone de travail

- a. **Maintenez la zone de travail propre et bien éclairée.**  
Les zones sombres ou encombrées sont propices aux accidents.
- b. **N'utilisez pas d'outils électriques dans un environnement présentant des risques d'explosion ou en présence de liquides, gaz ou poussières inflammables.** Les outils électriques créent des étincelles qui peuvent enflammer les poussières et les fumées.
- c. **Maintenez les enfants et autres personnes éloignés lorsque les outils électriques sont en marche.** Toute distraction peut vous faire perdre le contrôle de l'outil.

#### 2. Sécurité électrique

- a. **Les prises des outils électriques doivent correspondre à la prise de courant murale. Ne modifiez jamais la prise d'aucune sorte. N'utilisez aucun adaptateur avec des outils électriques reliés à la terre.** L'utilisation de prises d'origine et de prises murales appropriées permet de réduire le risque de choc électrique.
- b. **Évitez tout contact physique avec des surfaces reliées à la terre comme des tuyaux, des radiateurs, des fours et des réfrigérateurs par exemple.** Le risque de choc électrique augmente lorsque votre corps est relié à la terre.

- c. **N'exposez pas les outils électriques à la pluie, ni à l'humidité.** Le risque de choc électrique augmente si de l'eau pénètre dans un outil électrique.
- d. **Ne tirez pas sur le cordon d'alimentation. N'utilisez jamais le cordon pour transporter, tirer ou débrancher l'outil électrique. Maintenez le cordon éloigné de la chaleur, de substances grasses, de bords tranchants ou de pièces mobiles.** Les cordons endommagés ou emmêlés augmentent le risque de choc électrique.
- e. **Si vous utilisez un outil électrique à l'extérieur, utilisez une rallonge homologuée pour les travaux extérieurs.** L'utilisation d'une rallonge électrique homologuée pour les travaux en extérieur réduit le risque de choc électrique.
- f. **Si l'utilisation d'un outil électrique dans un endroit humide est inévitable, utilisez une alimentation électrique protégée par un disjoncteur différentiel à courant résiduel.** L'utilisation d'un disjoncteur différentiel réduit le risque de choc électrique.
3. **Sécurité des personnes**
- a. **Restez vigilant, surveillez ce que vous faites et faites preuve de bon sens lorsque vous utilisez un outil électrique. N'utilisez pas d'outils électriques si vous êtes fatigué ou sous l'influence de drogue, d'alcool ou de médicaments.** Tout moment d'inattention pendant l'utilisation d'un outil électrique peut engendrer de graves blessures.
- b. **Portez des équipements de protection individuelle. Portez toujours une protection oculaire.** Les équipements de protection comme les masques à poussière, les chaussures de sécurité antidérapantes, les casques ou les protections auditives, utilisés à bon escient, réduisent le risque de blessures.
- c. **Empêchez tout démarrage intempestif. Assurez-vous que l'interrupteur est en position Arrêt avant de raccorder l'outil à l'alimentation électrique et/ou au bloc-batterie ou avant de ramasser ou de transporter l'outil.** Le fait de transporter les outils électriques le doigt sur l'interrupteur ou d'alimenter les outils électriques dont l'interrupteur est déjà en position de marche augmente les accidents.
- d. **Retirez toutes les clés ou pinces de réglage avant de mettre l'outil en marche.** Une clé ou une pince restée fixée sur une pièce rotative de l'outil électrique peut engendrer des blessures.
- e. **Ne vous penchez pas. Gardez les pieds bien ancrés au sol et conservez votre équilibre en permanence.** Cela permet de mieux maîtriser l'outil électrique en cas de situations imprévues.
- f. **Portez des vêtements appropriés. Ne portez aucun vêtement ample ou bijou. Gardez vos cheveux, vos vêtements et vos gants éloignés des pièces mobiles.**
- Les vêtements amples, les bijoux ou les cheveux longs peuvent être happés par les pièces mobiles.
- g. **Si des dispositifs pour le raccordement d'un extracteur de poussières ou des installations pour la récupération sont présents, assurez-vous qu'ils sont correctement raccordés et utilisés.** L'utilisation de dispositifs récupérateurs de poussières réduit les risques liés aux poussières.
- h. **Ne pensez pas être familiarisé avec l'outil après l'avoir utilisé à de nombreuses reprises, au point de ne plus rester vigilant et d'en oublier les consignes de sécurité.** Toute action imprudente peut engendrer de graves blessures en une fraction de seconde.
4. **Utilisation et entretien des outils électriques**
- a. **Respectez la capacité de l'outil. Utilisez l'outil approprié en fonction du travail à réaliser.** Un outil adapté fonctionne mieux, de façon plus sûre et à la cadence pour laquelle il a été conçu.
- b. **N'utilisez pas l'outil électrique si son interrupteur ne permet pas de l'allumer ou de l'éteindre.** Tout outil électrique qui ne peut plus être commandé par son interrupteur est dangereux et doit être réparé.
- c. **Débranchez la prise du secteur et/ou le bloc-batterie de l'outil électrique avant d'effectuer tout réglage, de changer un accessoire ou de ranger l'outil électrique.** Ces mesures de sécurité préventives réduisent le risque de démarrage accidentel de l'outil électrique.
- d. **Rangez les outils électriques non utilisés hors de portée des enfants et ne laissez aucune personne ne connaissant pas ces outils ou leurs instructions d'utilisation les faire fonctionner.** Les outils électriques peuvent être dangereux entre des mains inexpérimentées.
- e. **Entretenez vos outils électriques. Vérifiez que les pièces mobiles sont alignées correctement et qu'elles ne sont pas coincées. Vérifiez qu'aucune pièce n'est cassée et contrôlez l'absence de toute autre condition qui pourrait nuire au bon fonctionnement de l'outil. En cas de dommage, faites réparer l'outil électrique avant de l'utiliser.** De nombreux accidents sont provoqués par des outils électriques mal entretenus.
- f. **Maintenez les organes de coupe affûtés et propres.** Des organes de coupe bien entretenus et affûtés sont moins susceptibles de rester coincés et sont plus faciles à contrôler.
- g. **Utilisez l'outil électrique, les accessoires et les embouts d'outil conformément à ces instructions, en tenant compte des conditions de travail, ainsi que du travail à effectuer.** L'utilisation d'un outil électrique à des fins autres que celles pour lesquelles il a été prévu engendre des situations dangereuses.
- h. **Veillez à ce que les poignées et les surfaces de préhension soient sèches et propres, sans trace**

**d'huile ou de graisse.** Des poignées glissantes et des surfaces grasses ne permettent pas de manipuler ou de contrôler l'outil de façon sûre en cas de situation inattendue.

## 5. Utilisation et entretien de la batterie de l'outil

- N'effectuez la recharge qu'à l'aide du chargeur spécifié par le fabricant.** Un chargeur adapté pour un type de bloc-batterie peut engendrer un risque d'incendie s'il est utilisé avec un bloc-batterie différent.
- N'utilisez les outils électriques qu'avec les blocs-batteries qui leurs sont dédiés.** L'utilisation d'un autre bloc-batterie peut engendrer des blessures et un incendie.
- Lorsque le bloc-batterie n'est pas utilisé, éloignez-le des objets en métal comme les trombones, les pièces de monnaies, les clés, les clous, les vis ou d'autres petits objets métalliques qui pourraient créer un contact entre les deux bornes.** La mise en court-circuit des bornes d'une batterie peut provoquer des brûlures ou un incendie.
- En cas d'utilisation abusive, du liquide peut être éjecté de la batterie. Évitez tout contact avec ce liquide. En cas de contact accidentel, rincez à l'eau. En cas de contact avec les yeux, consultez un médecin.** Le liquide projeté de la batterie peut provoquer des irritations ou des brûlures.
- N'utilisez pas un bloc-batterie ou un outil endommagé ou modifié.** Une batterie endommagée ou altérée peut avoir un comportement imprévisible qui peut conduire à un incendie, une explosion ou un risque de blessure.
- N'exposez pas le bloc-batterie ou l'outil au feu ou à des températures excessives.** L'exposition au feu ou à des températures dépassant 130°C peut provoquer une explosion.
- Respectez les instructions de charge et ne rechargez pas le bloc-batterie ou l'outil à une plage de températures hors de celle spécifiée dans les instructions.** Une charge mal effectuée ou à des températures hors de la plage spécifiée peut endommager la batterie et augmente le risque d'incendie.

## 6. Révision

- Respectez les instructions de charge et ne rechargez pas le bloc-batterie ou l'outil à une plage de températures hors de celle spécifiée dans les instructions.** Une charge mal effectuée ou à des températures hors de la plage spécifiée peut endommager la batterie et augmente le risque d'incendie.
- Ne réparez jamais des blocs-batteries endommagés.** Les réparations sur les blocs-batteries ne doivent être effectuées que par le fabricant ou l'un de ses prestataires de services agréés.

## Consignes de sécurité supplémentaires liées aux outils électriques



**Avertissement !** Avertissements de sécurité supplémentaires liés à l'élaqueuse Alligator™.

**Avertissement !** N'utilisez jamais l'outil au-dessus du niveau des épaules. Veillez à ne pas vous placer sur la trajectoire de chute des branches et débris.

**Avertissement !** N'utilisez pas cet outil pour abattre des arbres.

- ◆ **Ne tenez l'outil que par ses surfaces de préhension isolées lorsque vous réalisez une opération pendant laquelle l'accessoire de coupe peut entrer en contact avec des fils cachés ou son propre cordon électrique.** Tout contact avec un fil sous tension peut mettre les parties métalliques exposées de l'outil sous tension et provoquer un choc électrique à l'utilisateur.
- ◆ **N'approchez jamais aucune partie de votre corps ni vos vêtements de la chaîne de scie.** Avant de démarrer l'outil, assurez-vous que rien n'est en contact avec la chaîne. Tout moment d'inattention pendant le fonctionnement de l'outil peut entraîner le coincement de vos vêtements ou d'une partie de votre corps dans la chaîne. Tenez l'outil devant vous et faites attention à la position de la chaîne, tout particulièrement lorsque vous coupez des branches près du sol.
- ◆ **Prévoyez une voie de repli pour vous protéger de la chute des branches et des débris. Assurez-vous qu'il n'y a aucun obstacle risquant d'empêcher ou de gêner vos déplacements.** N'oubliez pas que l'herbe mouillée et l'écorce fraîchement coupée sont glissantes.
- ◆ **Anticipez la direction dans laquelle une branche risque de tomber.** Tenez compte de toutes les conditions pouvant affecter la direction de la chute, notamment :
  - ◆ La direction de chute voulue.
  - ◆ L'inclinaison naturelle de la branche.
  - ◆ Toute carie ou défaut important de la structure d'une branche maîtresse.
  - ◆ Les arbres environnants et les obstacles, en particulier les lignes aériennes.
  - ◆ La vitesse et la direction du vent.
- ◆ **La distance de sécurité entre une branche à couper et les personnes, bâtiments ou autres objets se trouvant à proximité doit être au moins égale à 2 1/2 fois la longueur de la branche.** Les personnes, bâtiments ou objets se trouvant en deçà de cette distance risquent d'être heurtés par la branche au moment de sa chute.
- ◆ **Lorsque vous coupez une branche maîtresse cintrée, prenez garde à l'effet ressort (son redressement soudain).** Lorsque le bois se décintre, la branche peut frapper l'opérateur et/ou lui faire perdre le contrôle de l'outil.

- ◆ Portez toujours des équipements de protection appropriés comme des chaussures antidérapantes, un casque, des lunettes de protection, une protection auditive et des gants lorsque vous utilisez l'outil.
  - ◆ Travaillez toujours avec quelqu'un à proximité (tout en respectant une distance de sécurité), pour le cas où un accident se produirait.
  - ◆ Ne tentez pas d'utiliser l'outil si vous êtes dans un arbre, sur une échelle ou debout sur tout autre support instable.
  - ◆ Gardez les pieds bien ancrés au sol et conservez votre équilibre en permanence.
  - ◆ Tenez fermement l'outil à les deux mains lorsque le moteur est en marche.
  - ◆ Veillez à ce que les poignées soient sèches et propres, exemptes d'huile ou de graisse. Les poignées grasses sont glissantes et provoquent la perte de contrôle.
  - ◆ Ne laissez pas la chaîne en mouvement entrer en contact à quoi que soit au niveau de la pointe du guide-chaîne.
  - ◆ Assurez-vous que la chaîne est bien tendue. Vérifiez régulièrement la tension, moteur arrêté et câble d'alimentation débranché.
  - ◆ Ne commencez et continuez la coupe qu'avec la chaîne à pleine vitesse.
  - ◆ Faites attention aux branches déportées ou aux autres forces qui pourraient refermer une entaille et pincer ou entraver la chaîne.
  - ◆ Soyez extrêmement prudent lorsque vous réinsérez la chaîne dans une entaille déjà entamée. Introduisez les crampons de la mâchoire inférieure dans le bois et laissez la chaîne atteindre sa pleine vitesse avant de commencer à couper.
  - ◆ L'utilisation de cet outil à des fins autres que celles pour lesquelles il a été prévu peut engendrer des situations dangereuses. Ne coupez que du bois. N'utilisez pas cet outil pour d'autres opérations que celles prescrites ; par exemple, ne l'utilisez pas pour couper du plastique ou des matériaux de construction autres que le bois.
  - ◆ Si des débris se coincent dans le carter ou l'outil, arrêtez l'outil, retirez la batterie et retirez les débris.
  - ◆ Remplacez toute chaîne ou guide-chaîne usé.
  - ◆ N'utilisez que des pièces guide-chaînes et des chaînes de rechange prescrites par le fabricant.
- ◆ Les blessures dues au changement de pièces, de lames ou d'accessoires.
  - ◆ Les blessures dues à l'utilisation prolongée d'un outil. Lorsque vous utilisez un outil quel qu'il soit pendant de longues périodes, assurez-vous de faire des pauses régulières.
  - ◆ Troubles de l'ouïe.
  - ◆ Risques pour la santé dus à l'inhalation de poussières produites pendant l'utilisation de l'outil (exemple : travail avec du bois, surtout le chêne, le hêtre et les panneaux en MDF).

## Vibrations

La valeur des émissions de vibrations déclarée dans les caractéristiques techniques et la déclaration de conformité a été mesurée conformément à la méthode de test standard de la norme EN 60745 et peut être utilisée pour comparer un outil à un autre. La valeur des émissions de vibrations déclarée peut aussi être utilisée pour une évaluation préliminaire à l'exposition.

**Avertissement !** En fonction de la manière dont l'outil est utilisé, la valeur des émissions de vibrations réelles pendant l'utilisation de l'outil peut différer de la valeur déclarée. Le niveau des vibrations peut dépasser le niveau déclaré.

Quand l'exposition aux vibrations est évaluée afin de déterminer les mesures de sécurité requises par la norme 2002/44/CE pour protéger les personnes utilisant régulièrement des outils électriques, cette estimation doit tenir compte des conditions réelles d'utilisation et de la façon dont l'outil est utilisé. Il faut également tenir compte de toutes les composantes du cycle de fonctionnement comme la durée pendant laquelle l'outil est arrêté et quand il fonctionne au ralenti, ainsi que la durée du déclenchement.

## Étiquettes apposées sur l'outil

Les pictogrammes qui suivent figurent sur l'outil avec le code date :



**Avertissement !** Afin de réduire le risque de blessures, l'utilisateur doit lire le manuel d'utilisation.



N'exposez pas votre outil à la pluie ni à l'humidité.



Portez toujours une protection oculaire.



Portez toujours des protections auditives.



Faites attention aux chutes d'objets

## Risques résiduels

Certains risques résiduels autres que ceux mentionnés dans les avertissements sur la sécurité peuvent survenir en utilisant l'outil. Ces risques peuvent être provoqués par une utilisation incorrecte, prolongée, etc.

Malgré l'application des normes de sécurité pertinentes et la mise en œuvre de dispositifs de sécurité, certains risques résiduels ne peuvent pas être évités. Ils comprennent :

- ◆ Les blessures dues au contact avec des pièces mobiles/ en rotation.



Gardez à distance les éventuelles personnes alentour



N'utilisez pas l'outil sur une échelle

Pour continuer à utiliser l'outil en toute sécurité, vérifiez la tension de la chaîne comme décrit dans ce manuel toutes les 10 minutes d'utilisation et ajustez-la de manière à conserver un jeu de 3 mm, comme requis. Graissez la chaîne toutes les 10 minutes d'utilisation.



**Avertissement !** Ne touchez pas la chaîne au point d'éjection des copeaux



Sens de rotation de la chaîne.



Puissance sonore garantie conforme à la Directive 2000/14/CE.

## Consignes de sécurité supplémentaires liées aux batteries/piles et aux chargeurs (non fournis avec le modèle GKC1000LB)

### Batterie (non fournie avec le modèle GKC1000LB)

- ◆ Ne tentez de les ouvrir sous aucun prétexte.
- ◆ N'exposez pas la batterie à l'eau.
- ◆ N'exposez pas la batterie à la chaleur.
- ◆ Ne la rangez pas dans des endroits où la température peut dépasser 40°C.
- ◆ Ne procédez à la charge qu'à une température ambiante comprise entre 10°C et 40°C.
- ◆ Ne procédez à la charge qu'avec le chargeur fourni avec l'appareil/outil. L'utilisation d'un chargeur inadapté peut conduire à un choc électrique ou à la surchauffe de la batterie.
- ◆ Pour la mise au rebut des batteries, respectez les instructions mentionnées à la section "Protection de l'environnement".
- ◆ Ne déformez/n'endommagez pas le bloc-batterie en le perçant ou en le cognant, ceci pourrait entraîner des blessures et un incendie.
- ◆ Ne rechargez pas des batteries endommagées.

**Dans des conditions extrêmes, une batterie peut fuir. Si vous détectez une fuite, utilisez un chiffon pour essuyer le liquide avec précaution. Évitez tout contact avec la peau.**

**En cas de contact avec la peau ou les yeux, suivez les instructions ci-dessous.**

**Avertissement ! Le liquide de la batterie peut provoquer des blessures ou des dommages matériels. En cas de contact avec la peau, rincez immédiatement à l'eau. Si**

**des rougeurs, une douleur ou une irritation se produisent, consultez un médecin. En cas de contact avec les yeux, rincez immédiatement à l'eau et consultez un médecin.**

### Chargeurs (non fourni avec le modèle GKC1000LB)

**Avertissement ! Votre chargeur a été conçu pour une tension spécifique. Vérifiez toujours que la tension du réseau électrique correspond à la tension figurant sur la plaque signalétique.**

**Avertissement ! N'essayez jamais de remplacer le module de charge par une prise secteur ordinaire.**

- ◆ N'utilisez votre chargeur BLACK+DECKER que pour recharger la batterie de l'appareil/outil avec lequel il a été fourni. D'autres batteries pourraient exploser et provoquer des blessures et des dommages.
- ◆ Ne tentez jamais de recharger des piles non rechargeables.
- ◆ Si le câble d'alimentation est endommagé, il doit être remplacé par le fabricant ou par un centre BLACK+DECKER agréé afin d'éviter tout accident.
- ◆ N'exposez pas le chargeur à l'eau.
- ◆ N'ouvrez pas le chargeur.
- ◆ Ne sondez pas le chargeur.
- ◆ Placez le chargeur dans un endroit correctement aéré pendant la charge.

### Étiquettes apposées sur le chargeur (non fourni avec le modèle GKC1000LB)

Les symboles suivants se trouvent sur votre chargeur :



Le chargeur est conçu pour être exclusivement utilisé à l'intérieur.



Lisez le manuel d'utilisation avant de l'utiliser.

### Sécurité électrique



Votre chargeur dispose d'une double isolation ; aucun fil de terre n'est donc nécessaire. Vérifiez toujours que la tension du réseau électrique correspond à la tension figurant sur la plaque signalétique. N'essayez jamais de remplacer le module de charge par une prise secteur ordinaire.

- ◆ Si le câble d'alimentation est endommagé, il doit être remplacé par le fabricant ou par un centre d'assistance BLACK+DECKER agréé afin d'éviter tout accident.

### Caractéristiques

1. Mâchoire supérieure
2. Mâchoire inférieure
3. Guide-chaîne
4. Couvercle de graissage
5. Attache
6. Batterie (non fournie avec le modèle GKC1000LB)



7. Interrupteurs Marche/Arrêt
8. Point d'éjection des copeaux
9. Chargeur (non fourni avec le modèle GKC1000LB)

## Assemblage (batterie et chargeur non fournis avec le modèle GKC1000LB)

**Avertissement !** Avant l'assemblage, retirez la batterie (6) de l'outil.

### Installer et retirer la batterie (Fig. A)

- ◆ Pour installer la batterie (6), alignez-la avec le compartiment sur l'outil. Glissez la batterie (6) dans le compartiment et poussez-la jusqu'à ce qu'elle s'enclenche en place.
- ◆ Pour retirer la batterie (6), enfoncez le bouton de libération (18) tout en tirant sur la batterie (6) pour la sortir.

### Ouvrir les poignées (Fig. B)

- ◆ Pour ouvrir les poignées, glissez l'attache (5) vers l'arrière et écartez les poignées.
- ◆ Une fois le travail terminé, fermez les poignées et glissez l'attache (5) vers l'avant dans la position de verrouillage. Les poignées doivent être verrouillées pour le transport et le rangement.

### Régler la tension de la chaîne (Fig. C)

**Avertissement !** Avant de régler la tension de la chaîne ou d'effectuer d'autres réglages, assurez-vous que l'outil est hors tension et que la batterie est retirée.

**Avertissement !** Le guide-chaîne et la chaîne peuvent être chauds après utilisation. Laissez-les refroidir avant d'effectuer un réglage.

Le produit est livré déjà assemblé. Toutefois, nous vous recommandons de contrôler la tension de la chaîne (14) ainsi que les boulons de fixation du cache d'accès à la chaîne avant d'effectuer les réglages éventuellement nécessaires et d'utiliser l'outil.

### Vérifier et régler de la tension de la chaîne (fig. C)

Pour tendre la chaîne (14), desserrez les deux boulons retenant le carter de la chaîne (12) à l'aide de la clé (13). Le tendeur de chaîne pousse alors le guide-chaîne (3) vers l'extérieur pour obtenir la tension adéquate. Resserrez fermement les deux boulons de fixation (12). Vérifiez si la tension est correcte en tirant légèrement sur la chaîne (14). La tension est correcte si la chaîne se remet automatiquement en place lorsque vous l'éloignez de 3 mm du guide-chaîne. Il ne doit pas y avoir de jeu en dessous, entre le guide-chaîne (3) et la chaîne (14).

**Remarque :** Veillez à ne pas trop tendre la chaîne. Cela provoquerait une usure excessive et une réduction de la durée de vie du guide-chaîne et de la chaîne. Une autre conséquence négative serait la baisse de performance.

**Remarque :** Lors de la première utilisation et lorsque la chaîne est neuve, contrôlez fréquemment sa tension. Une chaîne neuve a tendance à se détendre légèrement.

### Remplacer la chaîne et le guide-chaîne

Après une utilisation prolongée, la chaîne (14) et/ou le guide-chaîne (3) peuvent devoir être remplacés. Assurez-vous d'utiliser des pièces de rechange Black & Decker recommandées.

### Retirer la chaîne et le guide-chaîne (Fig. C et D)



Portez toujours des gants de protection pour installer ou retirer la chaîne (8). Celle-ci est très affûtée et peut vous couper, même à l'arrêt.

**Avertissement !** Le guide-chaîne et la chaîne peuvent être chauds après utilisation. Laissez-les refroidir avant de procéder au remplacement.

- ◆ Placez l'outil sur une surface stable.
- ◆ Dévissez les deux boulons de fixation (12) dans le sens inverse des aiguilles d'une montre à l'aide de la clé (13) fournie avant de les retirer complètement.
- ◆ Retirez le cache d'accès à la chaîne (11).
- ◆ Glissez l'attache (5) en position de déverrouillage, ouvrez les poignées et tirez la mâchoire supérieure (1) vers l'arrière.
- ◆ Tirez le guide-chaîne (3) vers l'arrière, puis sortez la chaîne (14) de la rainure du guide-chaîne. La chaîne peut alors être retirée de l'outil.
- ◆ Le guide-chaîne (3) peut alors être relevé, puis retiré.

### Assembler le guide-chaîne et la chaîne (Fig. E et F)

**Avertissement !** Portez toujours des gants de protection lors de l'installation ou du retrait de la chaîne. Celle-ci est très affûtée et peut vous couper, même à l'arrêt.

- ◆ Assurez-vous de réaliser cette opération sur une surface stable.
- ◆ Glissez l'attache (5) en position de déverrouillage, ouvrez les poignées et tirez la mâchoire supérieure (1) vers l'arrière.
- ◆ Insérez le guide-chaîne (3) dans l'espace entre le tendeur de chaîne et alignez-le avec le positionneur de guide-chaîne, baissez ensuite le guide-chaîne (3) en vous assurant qu'il est correctement placé.
- ◆ Placez la chaîne (14) autour de l'avant du guide-chaîne (3).
- ◆ Tirez le guide-chaîne (3) et la chaîne (14) vers l'arrière en engageant cette dernière dans la rainure du guide-chaîne (3) puis par-dessus le pignon (16), en plaçant les dents correctement sur le pignon.
- ◆ Remplacez le cache d'accès à la chaîne (11) et serrez fermement les boulons de fixation (12).

- ◆ Assurez-vous que la chaîne (14) est correctement installée en vous repérant à l'aide des marquages sur l'outil.

### Graissage (Fig. G)

- ◆ Avant la première utilisation, puis toutes les dix minutes d'utilisation, lubrifiez la chaîne à l'aide d'une huile à chaîne appropriée. (Cat. n° A6027) Ouvrez le couvercle de graissage (4) et insérez la burette dans l'orifice de remplissage (15). Pressez la burette pour injecter une dose d'huile.
- ◆ Cette dose doit suffire pour environ 10 minutes de coupe, en fonction de la vitesse de coupe et du type de bois.

L'huile est ainsi acheminée de la chaîne sur le guide-chaîne (3) et une quantité excessive d'huile peut faire goutteler le trop-plein autour des mâchoires. Cela est tout à fait normal et ne présente aucun risque.

### Utilisation

#### Recharger la batterie (Fig. H) (non fournie avec le modèle GKC1000LB)

**Avertissement !** Ne chargez pas la batterie à une température ambiante inférieure à 10°C ou au-dessus de 40°C. La température recommandée est de 24°C.

**Remarque : Le chargeur ne charge pas la batterie si la température de la cellule est inférieure à environ 0°C ou supérieure à 40°C. La batterie doit alors être laissée dans le chargeur qui démarre automatiquement la charge quand la température de la cellule augmente ou diminue.**

- ◆ Pour recharger la batterie (6), insérez-la dans le chargeur (9). Il n'y a qu'un seul sens d'insertion de la batterie dans le chargeur. Ne forcez pas.
- ◆ Assurez-vous que le bloc-batterie est correctement installé dans le chargeur (9).
- ◆ Branchez le chargeur (9) au secteur.
- ◆ Le témoin de charge (19) clignote en continu (lentement).
- ◆ La charge est terminée quand le témoin de charge (19) reste allumé vert en fixe.
- ◆ Le voyant peut se mettre à clignoter en vert (charge) si le chargeur détecte qu'il faut compléter la charge de la batterie.
- ◆ Le témoin de charge (19) reste allumé aussi longtemps que le bloc-batterie est relié au chargeur branché (9).

Rechargez les batteries déchargées dans un délai d'une semaine. La durée de vie de la batterie est considérablement diminuée si elle est rangée déchargée.

#### Laisser la batterie dans le chargeur

Le chargeur et le bloc-batterie peuvent restés raccordés en permanence avec le voyant allumé. Le chargeur maintient ainsi le bloc-batterie prêt et complètement rechargé.

### Diagnostique du chargeur

Si l'appareil détecte que la batterie est faible ou endommagée, le témoin de charge clignote rouge rapidement. Procédez alors comme suit :

- ◆ Réinsérez la batterie (6).
- ◆ Si le témoin de charge (19) continue de clignoter rapidement en rouge, déterminez à l'aide d'une autre batterie si le processus de charge fonctionne correctement.
- ◆ Si la batterie d'essai se recharge correctement, cela indique que la batterie d'origine est défectueuse et qu'elle doit être renvoyée dans un centre d'assistance pour y être recyclée.
- ◆ Si la nouvelle batterie signale le même problème, demandez à un centre de réparation autorisé de tester le chargeur.

**Remarque : Un délai pouvant aller jusqu'à 60 minutes peut être nécessaire pour établir que la batterie est défectueuse. Si la batterie est trop chaude ou trop froide, le témoin alterne un clignotement rouge lent, puis un clignotement rouge rapide et ainsi de suite.**

### Préparation

- ◆ Nettoyez régulièrement l'outil comme décrit dans la section Maintenance et particulièrement l'intérieur du cache d'accès à la chaîne (11).
- ◆ La mâchoire inférieure (2) et la mâchoire supérieure (1) sont conçues pour se refermer lorsque l'une des poignées est relâchée ou une fois que la branche à scier est coupée. Si elles ne se referment pas, cessez d'utiliser l'outil et retirez la batterie de l'outil.
- ◆ Vérifiez l'éventuelle présence de débris pouvant entraver leurs mouvements. Pour faciliter cette opération, il peut être nécessaire de retirer le cache d'accès à la chaîne (11). Si le problème persiste après le réassemblage, retournez l'outil dans un centre de réparation agréé.

### Mise en marche et Extinction

**Avertissement !** N'essayez jamais de bloquer ou de fixer l'interrupteur en position marche. Pour votre sécurité, cet outil est équipé d'un système à double commutation. Ce système empêche tout démarrage accidentel de l'outil.

#### Allumer (Fig. I)

Tenez fermement les poignées, puis enfoncez les deux interrupteurs (7) pour démarrer l'outil.

#### Éteindre (Fig. I)

Relâchez l'un des interrupteurs.

**Remarques :** Les deux interrupteurs doivent être activés simultanément pour permettre l'utilisation de l'appareil. Ne sursollicitez pas l'outil. Laissez-le fonctionner à son rythme. Il permet un travail plus efficace et plus sûr s'il

fonctionne à la vitesse pour laquelle il a été conçu. Une force excessive détend la chaîne.

Si la chaîne (14) ou le guide-chaîne (3) se coincent :

- ◆ Arrêtez l'outil.
- ◆ Retirez la batterie de l'outil.

Agrandissez la coupe à l'aide de cales pour libérer le guide-chaîne. N'essayez pas de dégager l'outil par la force. Démarrez une nouvelle coupe.

### Élaguer des branches (Fig. J)

Assurez-vous que la législation ou la réglementation locales n'interdisent et ne limitent pas l'élagage.

- ◆ Assurez-vous que l'outil fonctionne à pleine vitesse avant de procéder au sciage.
- ◆ Maintenez fermement l'outil en place afin d'éviter tout effet de rebond ou mouvement latéral.
- ◆ Guidez l'outil en n'appuyant pas trop.
- ◆ Coupez toujours de haut en bas. Cela permet d'éviter tout pincement de la chaîne (14).
- ◆ Débitez les branches comme illustré par la figure I. EN commençant par le haut des branches, raccourcissez-les de façon logique, par petites sections.
- ◆ Retirez l'outil de l'entaille quand il est à plein régime.

### Maintenance

Votre appareil/outil sans fil/avec fil BLACK+DECKER a été conçu pour fonctionner pendant longtemps avec un minimum d'entretien. Son fonctionnement continu et satisfaisant dépend de son bon entretien et de son nettoyage régulier.

**Avertissement !** Avant toute intervention de maintenance sur des outils électriques avec ou sans fil :

- ◆ Éteignez l'appareil/outil, puis débranchez-le.
- ◆ Ou, arrêtez l'appareil et retirez la batterie de l'appareil/outil si celui-ci est muni d'un bloc-batterie séparé.
- ◆ Ou déchargez complètement la batterie si elle est intégrée, puis éteignez l'appareil.
- ◆ Débranchez le chargeur avant de le nettoyer. Votre chargeur ne nécessite aucun entretien particulier, à l'exception d'un nettoyage régulier.

Nettoyez régulièrement les orifices d'aération de votre appareil/outil/chargeur à l'aide d'une brosse souple ou d'un chiffon sec.

Nettoyez régulièrement le bloc-moteur à l'aide d'un chiffon humide. N'utilisez pas de détergents abrasifs ou à base de solvants.

Ouvrez régulièrement le mandrin et retirez la poussière à l'intérieur en le tapotant (si installé).

### Nettoyage

- ◆ Retirez régulièrement le cache d'accès à la chaîne (11) et éliminez les débris.
- ◆ Nettoyez régulièrement les orifices d'aération à l'aide d'une brosse sèche et propre.

- ◆ Pour nettoyer l'outil, utilisez exclusivement du savon doux et un chiffon humide. Ne laissez jamais aucun liquide pénétrer à l'intérieur de l'outil et ne plongez aucune de ses pièces dans aucun liquide.

### Graissage

- ◆ Graissez régulièrement les points à graisser (15), comme indiqués par la figure D.

### Transport

- ◆ Transportez toujours l'outil mâchoires fermées et attache (5) en position de verrouillage.

### Affûtage de la chaîne

Pour optimiser les performances de l'outil, il est important que les dents de la chaîne soient toujours bien aiguisées. Les instructions relatives à cette opération sont fournies avec le kit d'affûtage. Nous vous recommandons d'acheter le kit d'affûtage pour chaîne de scie BLACK+DECKER A6039 (disponible auprès des prestataires de services et revendeurs BLACK+DECKER).

### Remplacer les chaînes usées

Vous pouvez vous procurer des chaînes de rechange auprès des détaillants ou des réparateurs agréés BLACK+DECKER. Utilisez toujours des pièces de rechange d'origine.

### Affûtage de la chaîne

Les dents de la chaîne s'émousent immédiatement si elles touchent le sol ou un clou pendant la coupe.

### Tension de la chaîne

Vérifiez régulièrement la tension de la chaîne.

### Que faire si votre tronçonneuse doit être réparée ?

Cet outil est conforme aux normes de sécurité en vigueur. Les réparations ne doivent être effectuées que par des personnes qualifiées qui utilisent des pièces de rechange d'origine sous peine d'exposer l'utilisateur à de graves dangers. Nous vous conseillons de conserver ce manuel d'utilisation dans un endroit sûr.

### Rangement

Si l'outil n'est pas utilisé pendant plusieurs mois, appliquez une fine couche d'huile sur les composants métalliques. Le mieux est de laisser la batterie (6) connectée au chargeur.

### Procédez comme suit :

- ◆ Rechargez complètement la batterie (6).
- ◆ Retirez la batterie (6) de l'outil.
- ◆ Rangez l'outil et la batterie (6) en lieu sûr et à l'abri de l'humidité. La température de stockage doit rester

comprise entre +5°C to +40°C. Placez la batterie (6) sur une surface de niveau.

- Après une période d'inactivité, rechargez complètement la batterie (6) avant d'utiliser l'outil.



GKC1000L, GKC1000LB – Élagueuse Alligator™

## Protection de l'environnement



Tri sélectif. Les produits et batteries marqués de ce symbole ne doivent pas être jetés avec les déchets ménagers.

Les produits et batteries contiennent des matières qui peuvent être récupérées et recyclées afin de réduire la demande en matières premières.

Veillez à recycler les produits électriques et les piles et batteries conformément aux dispositions locales en vigueur. Plus d'informations sont disponibles sur le site [www.2helpU.com](http://www.2helpU.com).

## Caractéristiques techniques

		GKC1000L H3	GKC1000LB H3
Tension	V <sub>cc</sub>	18	18
Vitesse de la chaîne (à vide)	min <sup>-1</sup>	1,9	1,9
Diamètre maximal de coupe	mm	100	100
Poids	kg	3,1	3,1

Batterie		BL2018	GKC1000LB non fournie
Tension	V <sub>cc</sub>	18	
Capacité	Ah	2,0	
Type		Li-Ion	
Chargeur		906349** TYPE 1	GKC1000LB non fournie
Tension d'entrée	V <sub>ca</sub>	200-240	
Tension de sortie	V <sub>cc</sub>	8-20	
Courant de sortie	mA	1000	
Durée de charge approximative	h	2	

Niveau de pression sonore garanti, selon la norme EN60745 :

L<sub>pA</sub> (pression sonore) 85 dB(A), incertitude (K) 3 dB(A)  
L<sub>WA</sub> (puissance sonore) 95 dB(A), incertitude (K) 2,3 dB(A)  
L<sub>WA</sub> (puissance sonore garantie) 97 dB(A)

Valeurs totales des vibrations (somme vectorielle triaxiale) selon la norme EN 60745 :

Coupe, conifère fraîchement abattu (ah) = 4,9 m/s<sup>2</sup>, incertitude (K) = 1,5 m/s<sup>2</sup>

## Déclaration de conformité CE

DIRECTIVES MACHINES

DIRECTIVE RELATIVE AUX NUISANCES  
SONORES EXTÉRIEURES

Black & Decker déclare que les produits décrits dans les "Caractéristiques techniques" sont conformes aux normes :

EN 60745-1:2009 + A11:2010

Ces produits sont également conformes aux Directives 2006/42/CE, 2014/30/UE et 2011/65/UE.

Pour plus de détails, veuillez contacter Black & Decker à l'adresse suivante ou consultez la dernière page du manuel. Le soussigné est responsable de la compilation des données de la fiche technique et fait cette déclaration au nom de Black & Decker.

A. P. Smith  
Technical Director  
Black & Decker Europe, 210 Bath Road, Slough,  
Berkshire, SL1 3YD  
Royaume-Uni  
14/03/2019

L'élagueuse Alligator™ fait l'objet d'un brevet protégé en Europe, aux États-Unis et dans d'autres pays du monde. ALLIGATOR est une marque commerciale de Black & Decker Corporation.

## Garantie

Black & Decker a confiance en la qualité de ses produits et offre une garantie de 24 mois à ses clients à partir de la date d'achat. Cette garantie s'ajoute à vos droits légaux auxquels elle ne porte aucunement préjudice. Cette garantie est valable au sein des territoires des États membres de l'Union Européenne et au sein de la Zone européenne de libre-échange.

Pour prétendre à la garantie, la demande doit être conforme aux conditions générales de Black & Decker et vous devez fournir une preuve d'achat au vendeur ou au réparateur agréé. Les conditions générales de la garantie de 2 ans Black & Decker ainsi que les coordonnées du réparateur le plus proche sont disponibles sur Internet à l'adresse [www.2helpU.com](http://www.2helpU.com) ou en contactant votre agence Black & Decker locale à l'adresse indiquée dans ce manuel.

Accédez à notre site Internet [www.blackanddecker.co.uk](http://www.blackanddecker.co.uk) pour enregistrer votre nouveau produit BLACK+DECKER et être informé des nouveaux produits et des offres spéciales.

## Uso previsto

Il tronccarami BLACK+DECKER™, Alligator™ (modelli GKC1000L e GKC1000LB) è concepito per il taglio di rami dagli alberi, di rami caduti a terra e di piccoli tronchi di diametro compreso tra i 25 e i 100 mm, con l'operatore in piedi a terra. Questo utensile è destinato esclusivamente all'uso privato.

## Istruzioni di sicurezza

### Avvertenze di sicurezza generali per gli elettroutensili



**Avvertenza! Leggere attentamente tutte le avvertenze e le istruzioni di sicurezza.**

La mancata osservanza delle avvertenze e istruzioni elencate di seguito potrebbe dar luogo a scosse elettriche, incendi e/o infortuni gravi.

Conservare tutte le avvertenze e le istruzioni per consultazioni successive. Il termine "elettrotensile" che ricorre in tutte le avvertenze seguenti si riferisce a utensili elettrici alimentati attraverso la rete elettrica (con filo) o a batteria (senza filo).

#### 1. Sicurezza nell'area di lavoro

- a. **Mantenere pulita e bene illuminata l'area di lavoro.** Gli ambienti disordinati o scarsamente illuminati favoriscono gli incidenti.
- b. **Evitare di usare gli elettroutensili in ambienti esposti a rischio di esplosione, ad esempio in presenza di liquidi, gas o polveri infiammabili.** Gli elettroutensili generano scintille che possono incendiare le polveri o i fumi.
- c. **Tenere lontani bambini e altre persone presenti mentre si usa un elettroutensile.** Eventuali distrazioni possono provocare la perdita di controllo.

#### 2. Sicurezza elettrica

- a. **Le spine elettriche degli elettroutensili devono essere adatte alla presa. Non modificare la spina in alcun modo. Non utilizzare spine con adattatore con gli elettroutensili dotati di messa a terra.** Per ridurre il rischio di scossa elettrica evitare di modificare le spine e utilizzare sempre le prese di corrente appropriate.
- b. **Evitare il contatto fisico con superfici collegate a terra, come tubi, radiatori, forni e frigoriferi.** Se il proprio corpo è collegato a terra, il rischio di scossa elettrica aumenta.
- c. **Non esporre gli elettroutensili alla pioggia o all'umidità.** Se entra dell'acqua all'interno dell'elettrotensile, il rischio di scosse elettriche aumenta.

- d. **Non utilizzare il cavo di alimentazione in modo improprio. Non spostare, tirare o scollegare mai l'elettrotensile tirandolo dal cavo. Tenere il cavo di alimentazione lontano da fonti di calore, olio, bordi taglienti o parti in movimento.** Se il cavo di alimentazione è danneggiato o impigliato, il rischio di scossa elettrica aumenta.
  - e. **Se l'elettrotensile viene utilizzato all'aperto, usare esclusivamente prolunghe omologate per l'impiego all'esterno.** L'uso di un cavo di alimentazione adatto ad ambienti esterni riduce il rischio di scossa elettrica.
  - f. **Se non è possibile evitare di lavorare in una zona umida, usare una rete elettrica protetta da un interruttore differenziale (RCD).** L'uso di un interruttore differenziale riduce il rischio di scossa elettrica.
- #### 3. Sicurezza delle persone
- a. **È importante concentrarsi su ciò che si sta facendo e maneggiare con giudizio l'elettrotensile. Non utilizzare un elettrotensile quando si è stanchi o sotto l'effetto di droghe, alcool o medicinali.** Un solo attimo di distrazione durante l'uso dell'elettrotensile potrebbe provocare gravi lesioni personali.
  - b. **Usare dispositivi di protezione individuale. Indossare sempre dispositivi di protezione oculare.** L'uso di dispositivi di protezione, quali mascherine antipolvere, scarpe antinfortunistiche antiscivolo, elmetti o protezioni auricolari, in condizioni opportune consente di ridurre le lesioni personali.
  - c. **Impedire l'avviamento involontario. Accertarsi che l'interruttore di accensione sia in posizione "off" (spento), prima di collegare l'elettrotensile alla rete elettrica e/o alla batteria, di prenderlo in mano o di trasportarlo.** Per non esporci al rischio di infortuni, non trasportare l'elettrotensile tenendo le dita sull'interruttore e non collegarlo a una fonte di alimentazione elettrica con l'interruttore acceso.
  - d. **Prima di accendere un elettrotensile, togliere eventuali utensili o chiavi di regolazione.** Un utensile di regolazione o una chiave fissati su una parte rotante dell'elettrotensile può provocare lesioni a persone.
  - e. **Non sbilanciarsi. Mantenere sempre un appoggio e un equilibrio adeguati.** In tal modo è possibile mantenere un migliore controllo dell'elettrotensile nelle situazioni impreviste.
  - f. **Vestirsi adeguatamente. Non indossare abiti lenti o gioielli. Tenere i capelli, i vestiti e i guanti lontano dalle parti mobili.** Abiti larghi, gioielli o capelli lunghi possono impigliarsi nelle parti in movimento.
  - g. **Se gli elettroutensili sono provvisti di attacchi per il collegamento di dispositivi di aspirazione o di raccolta della polvere, assicurarsi che questi siano installati e**

**utilizzati correttamente.** La raccolta delle polveri può ridurre i pericoli legati a queste ultime.

- h. Non lasciare che la familiarità acquisita dall'uso frequente degli utensili induca a cedere alla tentazione di ignorare i principi di utilizzo sicuro degli stessi.**

Un'azione imprudente potrebbe provocare lesioni gravi in una frazione di secondo.

#### **4. Uso e cura dell'elettro utensile**

- a. Non sovraccaricare l'elettro utensile. Utilizzare l'elettro utensile adatto per il lavoro da eseguire.**

L'elettro utensile corretto funzionerà meglio e in modo più sicuro, se utilizzato alla velocità per cui è stato progettato.

- b. Non utilizzare l'elettro utensile se l'interruttore è difettoso.** Qualsiasi elettro utensile che non possa essere controllato tramite l'interruttore è pericoloso e deve essere riparato.

- c. Scollegare la spina dalla presa di corrente e/o il pacco batteria dall'elettro utensile prima di regolarlo, sostituirne gli accessori o riporlo in magazzino.**

Queste misure di sicurezza preventive riducono il rischio di azionare accidentalmente l'elettro utensile.

- d. Quando non vengono usati, gli elettro utensili devono essere custoditi fuori dalla portata dei bambini. Non consentire l'uso dell'elettro utensile a persone inesperte o che non abbiano letto le presenti istruzioni d'uso.** Gli elettro utensili sono pericolosi in mano a persone inesperte.

- e. Sottoporre gli elettro utensili a regolare manutenzione. Verificare che le parti mobili siano correttamente allineate e non inceppate, che non vi siano componenti rotti e che non sussistano altre condizioni che possono compromettere il funzionamento dell'elettro utensile. Se danneggiato, far riparare l'elettro utensile prima dell'uso.** Molti incidenti sono provocati da elettro utensili non sottoposti a corretta manutenzione.

- f. Mantenere affilati e puliti gli utensili da taglio.** La manutenzione corretta degli utensili da taglio con bordi affilati riduce le probabilità di inceppamento e ne facilita il controllo.

- g. Utilizzare l'elettro utensile, gli accessori, le punte, ecc. in conformità alle presenti istruzioni, tenendo conto delle condizioni operative e del lavoro da eseguire.**

L'utilizzo dell'elettro utensile per impieghi diversi da quelli previsti può dare luogo a situazioni di pericolo.

- h. Mantenere le impugnature e le superfici di presa asciutte, pulite e senza tracce di olio o grasso.**

Impugnature e superfici di presa scivolose non consentono di maneggiare e controllare in modo sicuro l'utensile nel caso di imprevisti.

#### **5. Uso e cura degli elettro utensili a batteria**

- a. Ricaricare la batteria utilizzando esclusivamente il caricabatterie l'alimentatore specificato dal fabbricante.**

Un caricabatterie adatto per un solo tipo di batteria può comportare il rischio d'incendio se usato con una batteria diversa.

- b. Usare gli elettro utensili esclusivamente con i pacchi batteria specificamente progettati per gli stessi.**

L'impiego di batterie di tipo diverso potrebbe provocare il rischio di lesioni a persone e incendi.

- c. Quando il pacco batteria non è in uso, tenerlo lontano da altri oggetti metallici, come graffette, monete, chiavi, chiodi, viti o altri oggetti metallici di piccole dimensioni, che potrebbero cortocircuitare un morsetto con l'altro.**

Se i morsetti della batteria vengono cortocircuitati potrebbero provocare ustioni o un incendio.

- d. In condizioni di sovraccarico, dai pacchi batteria potrebbe fuoriuscire del liquido: evitare di toccarlo. In caso di contatto accidentale, risciacquare la pelle con acqua. Se il liquido entra a contatto con gli occhi, consultare un medico.** Il liquido che fuoriesce dalla batteria può causare irritazioni o ustioni.

- e. Non utilizzare una batteria o un utensile danneggiati o modificati.** Le batterie danneggiate o modificate potrebbero manifestare un comportamento imprevedibile con la possibilità di causare un'esplosione o un incendio.

- f. Non esporre una batteria o un utensile al fuoco o a temperature eccessivamente elevate.** L'esposizione al fuoco o a una temperatura superiore a 130 °C potrebbe provocare un'esplosione.

- g. Seguire tutte le istruzioni per la carica e non caricare la batteria o l'elettro utensile a una temperatura che non rientri nell'intervallo di valori specificato nelle istruzioni.** Una ricarica effettuata in maniera scorretta o a una temperatura che non rientra nell'intervallo di valori specificato, potrebbe danneggiare la batteria aumentando il rischio d'incendio.

#### **6. Assistenza**

- a. Seguire tutte le istruzioni per la carica e non caricare la batteria o l'elettro utensile a una temperatura che non rientri nell'intervallo di valori specificato nelle istruzioni.** Una ricarica effettuata in maniera scorretta o a una temperatura che non rientra nell'intervallo di valori specificato, potrebbe danneggiare la batteria aumentando il rischio d'incendio.

- b. Non riparare le batterie danneggiate.** Gli interventi di riparazione sulle batterie devono essere eseguiti dal costruttore o da fornitori di assistenza autorizzati.

## Altre avvertenze di sicurezza riguardanti gli elettroutensili



**Avvertenza!** Ulteriori avvertenze di sicurezza valide per il troncaremi Alligator™

**Avvertenza!** Non utilizzare mai l'elettroutensile al di sopra dell'altezza delle spalle. L'operatore deve sempre posizionarsi al riparo dalla caduta dei rami e dei frammenti di legno.

**Avvertenza!** Non utilizzare l'elettroutensile per abbattere alberi.

- ◆ **Eseguito lavori in cui l'utensile da taglio può entrare in contatto con linee elettriche nascoste o con il cavo di alimentazione, afferrare l'elettroutensile tramite le apposite impugnature isolanti.** Il contatto con un cavo "sotto tensione" mette "sotto tensione" anche le parti metalliche esposte dell'utensile ed espone l'operatore a scosse elettriche.
- ◆ **Mantenere sempre lontani dalla catena della sega tutte le parti del corpo e gli abiti.** Prima di avviare l'elettroutensile, assicurarsi che la catena non sia a contatto con alcun oggetto. Un attimo di distrazione durante l'impiego dell'elettroutensile può far impigliare l'abbigliamento o parti del corpo nel troncaremi. Tenere l'elettroutensile davanti a sé e controllare la posizione del troncaremi, in particolare per il taglio di rami vicini al suolo.
- ◆ **Pianificare in anticipo una via di fuga sicura per evitare la caduta di rami e frammenti di legno. Assicurarsi che il percorso di fuga sia libero da ostacoli che possono impedire o intralciare il movimento.** Ricordare che l'erba umida e la corteccia appena tagliata sono scivolose.
- ◆ **Essere consapevoli della direzione in cui un ramo può cadere.** Tenere conto di tutto ciò che può influire sulla direzione di caduta, tra cui:
  - ◆ la direzione di caduta desiderata;
  - ◆ l'inclinazione naturale del ramo;
  - ◆ l'eventuale peso inusuale del ramo e la possibilità che questo sia secco o marcio;
  - ◆ gli alberi e gli ostacoli circostanti, comprese le linee elettriche aeree; e
  - ◆ la velocità e direzione del vento.
- ◆ **La distanza di sicurezza tra un ramo da abbattere e gli osservatori, eventuali edifici e altri oggetti, è pari ad almeno due volte e mezzo la lunghezza del ramo stesso.** Eventuali osservatori, edifici o oggetti entro tale distanza rischiano di essere colpiti dal ramo in caduta.
- ◆ **Se si taglia un ramo sotto tensione, prestare attenzione all'effetto "molla".** Quando la tensione nelle fibre del legno viene rilasciata, il ramo caricato come una molla può colpire l'operatore e/o fargli perdere il controllo dell'elettroutensile.
- ◆ Indossare sempre un adeguato equipaggiamento di sicurezza, come scarpe di sicurezza antiscivolo, casco, occhiali di protezione, otoprotezioni e guanti quando si utilizza l'elettroutensile.
- ◆ Assicurarsi che nelle vicinanze (ma a distanza di sicurezza), sia sempre disponibile qualcuno che possa intervenire in caso di incidente.
- ◆ Non tentare di utilizzare l'elettroutensile stando in equilibrio sull'albero, su una scala o su qualsiasi altro supporto instabile.
- ◆ Mantenere sempre un appoggio e un equilibrio adeguati.
- ◆ Tenere saldamente l'elettroutensile con entrambe le mani quando il motore è in funzione.
- ◆ Mantenere le impugnature pulite e prive di tracce di olio o grassi. La presenza di olio o grasso sulle impugnature può renderle scivolose e causare la perdita di controllo dell'elettroutensile.
- ◆ Non lasciare che la catena in movimento tocchi alcun oggetto in prossimità della punta della barra di guida.
- ◆ Mantenere la catena della sega correttamente tesa. Controllare la tensione a intervalli regolari, con il motore fermo e il cavo di alimentazione scollegato.
- ◆ Iniziare e continuare un taglio solo con la catena alla massima velocità.
- ◆ Prestare attenzione allo spostamento di rami e ad altre forze che possono chiudere un taglio e bloccare o rallentare la catena.
- ◆ Utilizzare estrema cautela quando si reinserisce la sega in un taglio precedentemente iniziato. Inserire i denti sulla ganascia inferiore della lama nel legno e attendere che la catena raggiunga la piena velocità prima di procedere con il taglio.
- ◆ L'impiego dell'elettroutensile per usi diversi da quelli consentiti può dar luogo a situazioni di pericolo. Tagliare solo il legno. Non utilizzare l'elettroutensile per scopi non previsti: ad esempio per tagliare plastica, muratura o materiali da costruzione non legnosi.
- ◆ In caso di penetrazione di frammenti all'interno della protezione o dell'elettroutensile, interromperne il funzionamento, rimuovere la batteria ed eliminare i frammenti.
- ◆ Sostituire le catene e le barre di guida usurate.
- ◆ Utilizzare solamente le barre e le catene di ricambio indicate dal produttore.

## Rischi residui

L'utilizzo dell'utensile può comportare rischi residui non necessariamente riportati nelle presenti avvertenze di sicurezza. Tali rischi possono sorgere a seguito di un uso prolungato o improprio, ecc. Malgrado il rispetto delle norme di sicurezza pertinenti e l'implementazione di dispositivi di sicurezza, alcuni rischi residui non possono essere evitati. Sono inclusi:

- ◆ lesioni causate o subite a seguito del contatto con parti rotanti/in movimento;
- ◆ lesioni causate o subite durante la sostituzione di parti, lame o accessori;
- ◆ lesioni causate dall'impiego prolungato di un utensile (quando si utilizza qualsiasi utensile per lunghi periodi, accertarsi di fare regolarmente delle pause);
- ◆ menomazioni uditive;
- ◆ rischi per la salute causati dall'aspirazione di polvere generata dall'utilizzo dell'elettrostrumento (ad esempio quando si lavora con il legno, in modo particolare quello di quercia, faggio o l'MDF).

## Vibrazioni

I valori dichiarati delle emissioni di vibrazioni al paragrafo Dati tecnici e nella Dichiarazione di conformità del presente manuale sono stati misurati in base al metodo di test standard previsto dalla normativa EN 60745 e possono essere usati come parametri di confronto tra due utensili. Il valore delle emissioni di vibrazioni dichiarato può anche essere usato come valutazione preliminare dell'esposizione.

**Avvertenza!** Il valore delle emissioni di vibrazioni durante l'impiego effettivo dell'elettrostrumento può variare da quello dichiarato a seconda delle modalità d'uso. Il livello delle vibrazioni può aumentare oltre quello dichiarato.

Quando si valuta l'esposizione alle vibrazioni per determinare le misure di sicurezza richieste dalla normativa 2002/44/CE destinata alla protezione delle persone che utilizzano regolarmente elettrostrumenti per lo svolgimento delle proprie mansioni, è necessario prendere in considerazione le condizioni effettive di utilizzo e il modo in cui l'elettrostrumento viene usato, oltre che tenere conto di tutte le componenti del ciclo operativo, vale a dire i periodi in cui l'elettrostrumento rimane spento, quelli in cui è acceso ma fermo e quelli in cui viene effettivamente utilizzato.

## Etichette sull'elettrostrumento

Sull'elettrostrumento sono presenti i seguenti simboli assieme al codice data:



**Avvertenza!** Per ridurre il rischio di lesioni personali, l'operatore deve leggere il manuale di istruzioni.



Non utilizzare la sega in presenza di forte umidità o sotto la pioggia.



Indossare sempre dispositivi di sicurezza per gli occhi.



Indossare sempre delle otoprotezioni.



Fare attenzione alla caduta di oggetti.



Mantenere le persone eventualmente presenti a debita distanza.



Non utilizzare l'elettrostrumento stando in piedi su una scala.



Per garantire sempre un funzionamento sicuro, controllare la tensione della catena dopo ogni 10 minuti di utilizzo, come descritto nel presente manuale e, se necessario, regolarla di nuovo su un gioco di 3 mm. Lubrificare la catena ogni 10 minuti di utilizzo.



**Avvertenza!** Non toccare la catena in prossimità del punto di espulsione dei trucioli.



Direzione di rotazione della catena.



Pressione sonora garantita in base alla direttiva 2000/14/CEi.

## Altre istruzioni di sicurezza per batterie e caricabatterie (non forniti in dotazione con il modello GKC1000LB)

### Batteria (inclusa solo con GKC1000LB)

- ◆ Non tentare mai di aprire le batterie per alcun motivo.
- ◆ Non lasciare che la batteria si bagni.
- ◆ Non esporre la batteria al calore.
- ◆ Non conservare la batteria in luoghi dove la temperatura potrebbe superare i 40°C.
- ◆ Caricare la batteria solo a temperature ambientali comprese tra 10°C e 40°C.
- ◆ Caricare solo con il caricabatterie fornito con l'elettrodomestico/elettrostrumento. L'utilizzo del caricabatterie sbagliato potrebbe causare scosse elettriche o il surriscaldamento della batteria.
- ◆ Quando si smaltiscono le batterie, seguire le istruzioni riportate al capitolo "Protezione dell'ambiente".
- ◆ Non danneggiare/deformare la batteria forandola o colpendola, per evitare il rischio di lesioni o di incendio.
- ◆ Non caricare le batterie danneggiate.

**In condizioni estreme, si potrebbe verificare la perdita di liquido dalle batterie. Se si nota la presenza di liquido sul pacco batteria, pulirla con attenzione con uno straccio. Evitare il contatto con la pelle.**

**In caso di contatto con la pelle o gli occhi, seguire le istruzioni riportate di seguito.**



**Avvertenza!** Il liquido delle batterie può causare lesioni a persone o danni alle cose. In caso di contatto con la pelle, risciacquare immediatamente con acqua. In caso di rossore, dolore o irritazione, rivolgersi immediatamente a un medico. In caso di contatto con gli occhi, risciacquarli immediatamente con acqua pulita e consultare un medico.

### Batteria (inclusa solo con GKC1000LB)

**Avvertenza!** Il caricabatterie è stato progettato per una tensione specifica. Controllare sempre che la tensione di rete corrisponda a quella indicata sulla targhetta dei valori nominali.

**Avvertenza!** Non tentare mai di sostituire il caricabatterie con una spina elettrica tradizionale.

- ◆ Usare il caricabatterie BLACK+DECKER solo per caricare la batteria dell'elettrodomestico/elettrotensile con il quale è stato fornito. Altre batterie potrebbero scoppiare causando lesioni alle persone e danni alle cose.
- ◆ Non tentare mai di ricaricare batterie non ricaricabili.
- ◆ In caso di danneggiamento del cavo di alimentazione è necessario farlo riparare dal fabbricante o presso un centro assistenza BLACK+DECKER autorizzato in modo da evitare pericoli.
- ◆ Non lasciare che il caricabatterie si bagni.
- ◆ Non aprire il caricabatterie.
- ◆ Non introdurre oggetti nel caricabatterie.
- ◆ Il caricabatterie deve essere lasciato in una zona ben ventilata durante la carica.

### Etichette sul caricabatterie (non incluso con il modello GKC1000LB)

Sul caricabatterie sono presenti i seguenti simboli:



Il caricabatterie è destinato all'uso in ambienti chiusi.



Leggere il presente manuale d'uso prima dell'impiego.

### Sicurezza elettrica



Il doppio isolamento di cui è provvisto il caricabatterie rende superfluo il filo di terra. Controllare sempre che la tensione di rete corrisponda a quella indicata sulla targhetta dei dati tecnici. Non tentare mai di sostituire il caricabatterie con una spina elettrica tradizionale.

- ◆ Per prevenire pericoli, i cavi di alimentazione danneggiati devono essere sostituiti dal produttore o da un centro di assistenza BLACK+DECKER.

### Caratteristiche

1. Ganascia superiore
2. Ganascia inferiore
3. Barra di guida della catena
4. Coperchio di lubrificazione
5. Fermo
6. Batteria (inclusa solo con il modello GKC1000LB)
7. Attuatori-interruttori acceso/spento
8. Punto di espulsione dei frammenti di legno tagliato
9. Caricabatterie (non incluso con il modello GKC1000LB)

### Gruppo (batteria e caricabatterie non incluso con il modello GKC1000LB)

**Avvertenza!** Prima dell'assemblaggio, estrarre la batteria (6) dall'elettrotensile.

### Montaggio e rimozione della batteria (Fig. A)

- ◆ Per montare la batteria (6), allinearla all'apposito vano sull'elettrotensile. Infilare la batteria (6) nell'apposito vano e calzarla fino a quando si aggancia in sede.
- ◆ Per estrarre la batteria (6), premere il pulsante di rilascio (18) estraendo al tempo stesso la batteria (6) dall'apposito vano.

### Apertura delle impugnature (Fig. B)

- ◆ Per aprire le impugnature, far scorrere all'indietro la chiusura (5) e dividere le impugnature.
- ◆ Dopo l'impiego, chiudere le impugnature e far scorrere in avanti la chiusura (5) in posizione chiusa. Le impugnature devono essere chiuse durante il trasporto e quando si ripone l'elettrotensile.

### Regolazione della tensione della catena (Fig. C)

**Avvertenza!** Prima di regolare la tensione della catena o di apportare altre regolazioni, accertarsi che l'elettrotensile sia spento e che la batteria sia stata estratta.

**Avvertenza!** La barra di guida della catena e la catena stessa possono essere calde dopo l'impiego. Prima di effettuare la regolazione, attendere che la catena e la barra si raffreddino. Il prodotto viene fornito già assemblato. Si raccomanda comunque di controllare la tensione della catena (14) e dei bulloni di ritegno del carter della catena prima dell'utilizzo e prima di eseguire le necessarie regolazioni.

### Controllo e regolazione della tensione della catena del troncarami (Fig. C)

Per tendere la catena del troncarami (14), allentare i due bulloni di ritegno del carter (12) con la chiave (13); il tendicatena spingerà la barra della guida della catena (3) verso l'esterno impostando la corretta tensione. Serrare nuovamente a fondo i due bulloni di ritegno (12).

Controllare la corretta tensione tirando leggermente la catena del troncaremi (14). La tensione è corretta se la catena del troncaremi scatta all'indietro una volta allontanata di 3 mm dalla barra di guida. Non devono esservi cedimenti sul lato inferiore tra la barra di guida della catena (3) e la catena del troncaremi (14).

**Nota:** Non tendere eccessivamente la catena del troncaremi dato che facendolo si causa un logorio eccessivo e si abbrevia la vita della barra di guida e della catena stessa. Un'eccessiva tensione della catena riduce inoltre le prestazioni del prodotto.

**Nota:** al primo utilizzo e comunque quando la catena del troncaremi è nuova, controllarne la tensione frequentemente dato che le catene nuove "cedono" leggermente.

### Sostituzione della catena del troncaremi e della barra di guida della catena

Dopo un utilizzo prolungato, potrebbe essere necessario sostituire la catena del troncaremi (14) e/o la barra di guida della catena (3). Assicurarsi di utilizzare esclusivamente ricambi raccomandati da Black&Decker.

### Estrazione della catena del troncaremi e della barra di guida della catena (Figg. C e D)



Indossare sempre guanti di protezione per l'installazione e la rimozione della catena del troncaremi (8). La catena è affilata e può causare ferite da taglio anche da ferma.

**Avvertenza!** La barra di guida della catena e la catena stessa possono essere calde dopo l'impiego. Prima di effettuare la sostituzione, attendere che la catena e la barra si raffreddino.

- ◆ Collocare l'elettrotensile su una superficie stabile.
- ◆ Allentare ed estrarre completamente i due bulloni di ritegno (12) ruotandoli in senso antiorario con la chiave (13) fornita.
- ◆ Rimuovere il carter della catena (11).
- ◆ Far scorrere la chiusura (5) sulla posizione di apertura, aprire le impugnature e tirare indietro la ganaschia superiore (1).
- ◆ Tirare all'indietro la barra di guida della catena (3) ed estrarre la catena del troncaremi (14) fuori dal solco nella barra di guida. È quindi possibile estrarre completamente la catena dal troncaremi.
- ◆ La barra di guida della catena (3) può quindi essere inclinata verso l'alto e smontata.

### Assemblaggio della barra di guida della catena e della catena del troncaremi (Figg. E ed F)

**Avvertenza!** Indossare sempre guanti di protezione per l'installazione e la rimozione della catena. La catena è affilata e può causare ferite da taglio anche da ferma.

- ◆ Assicurarsi di eseguire l'operazione su una superficie stabile.
- ◆ Far scorrere la chiusura (5) sulla posizione di apertura, aprire le impugnature e tirare indietro la ganaschia superiore (1).
- ◆ Infilare la barra di guida della catena (3) nello spazio tra il tendicatena e allinearla al rispettivo dispositivo di centraggio, inclinare verso il basso la barra (3) accertandosi che sia correttamente centrata.
- ◆ Sistemare la catena del troncaremi (14) attorno alla parte anteriore della barra di guida della catena (3).
- ◆ Tirare all'indietro barra di guida della catena (3) e la catena del troncaremi (14) inserendo quest'ultima nel solco nella barra di guida (3) e quindi sopra al pignone (16) collocando i denti nella corretta posizione sullo stesso.
- ◆ Rimettere al suo posto il carter della catena (11) e i due bulloni di ritegno (12), serrandoli a fondo.
- ◆ Accertarsi che la catena del troncaremi (14) sia montata correttamente rispetto agli indici sull'elettrotensile.

### Lubrificazione (Fig. G)

- ◆ Prima di iniziare il lavoro e ogni 10 minuti di utilizzo è necessario lubrificare il prodotto con l'apposito olio per catene (n. di catalogo A6027). Aprire il coperchio di lubrificazione (4) e inserire il flacone nel foro di riempimento dell'olio (15); premere una volta il flacone per far uscire l'olio.
- ◆ La dose è sufficiente per circa 10 minuti di taglio a seconda della velocità di taglio e del tipo di legno.

Dal foro l'olio viene convogliato attraverso la catena del troncaremi sulla barra di guida (3) e una quantità eccessiva di olio può causare gocciolamenti dal troncaremi nella zona delle ganasce. Ciò è normale e non deve causare alcuna preoccupazione.

### Utilizzo

#### Carica della batteria (Fig. H) (non inclusa con il modello GKC1000LB)

**Avvertenza!** Non caricare la batteria a temperature ambiente inferiori a 10°C o superiori a 40°C. La temperatura di ricarica consigliata è di 24°C.

**Nota:** il caricabatterie non carica una batteria se la temperatura delle celle è inferiore a 0°C o superiore a 40°C. La batteria deve essere lasciata nel caricabatterie, che comincerà a caricare automaticamente quando la temperatura delle celle aumenta o diminuisce.

- ◆ Per caricare la batteria (6), inserirla nel caricabatterie (9). La batteria può essere inserita nel caricabatterie solo in un verso. Non forzare.
- ◆ Verificare che la batteria sia completamente insediata nel caricabatterie (9).

- ◆ Collegare il caricabatterie (9) alla presa di corrente.
- ◆ L'indicatore di carica (19) lampeggia di continuo (lentamente).
- ◆ La carica è completa quando l'indicatore di carica (19) smette di lampeggiare e rimane illuminato di verde fisso.
- ◆ Il LED passa al lampeggio verde (carica in corso) quando il caricabatterie di tanto in tanto rabbocca la carica della batteria.
- ◆ L'indicatore di carica (19) si accende se la batteria è inserita nel caricabatterie (9) collegato a una presa elettrica.

Caricare le batterie scariche entro 1 settimana. La durata della batteria diminuisce parecchio se vengono conservate scariche.

### Batteria lasciata nel caricabatterie

Il caricabatterie e la batteria possono essere lasciati collegati con il LED acceso per un tempo indefinito. Il caricabatterie mantiene la batteria fresca e completamente carica.

### Diagnostica del caricabatterie

Se il caricabatterie rileva che la batteria è danneggiata, l'indicatore di carica lampeggia di rosso a ritmo veloce. Procedere come descritto di seguito.

- ◆ Inserire di nuovo la batteria (6).
- ◆ Se l'indicatore di carica (19) continua a lampeggiare di rosso a un ritmo veloce, usare una batteria diversa per determinare se il ciclo di carica funziona correttamente.
- ◆ Se la batteria di ricambio si carica correttamente, significa che quella originale è difettosa e deve essere rispedita a un centro di assistenza per essere riciclata.
- ◆ Se anche con la nuova batteria si ottengono i medesimi risultati dati da quella vecchia, portare l'alimentatore presso un centro di assistenza autorizzato per essere sottoposto a controllo.

**Nota: potrebbero occorrere anche 60 minuti per stabilire se la batteria è difettosa. Se la batteria è troppo calda o troppo fredda, il LED lampeggia di rosso a un ritmo alternato veloce e lento, con un lampeggio veloce e uno lento ripetuti nel tempo.**

### Preparazione

- ◆ Eseguire una regolare pulizia dell'elettrodomestico come descritto nella sezione dedicata alla manutenzione; in particolare mantenere pulito l'interno del carter della catena (11).
- ◆ Le ganasce inferiori (2) e superiori (1) sono progettate in modo da chiudersi quando una delle impugnature viene rilasciata o quando il ramo su cui si lavora è tagliato completamente. Se ciò non avviene, interrompere l'utilizzo ed estrarre la batteria dall'elettrodomestico.
- ◆ Controllare la presenza di eventuali frammenti che bloccano il movimento. Per agevolare il processo può

essere necessario rimuovere il carter della catena (11).  
Se in fase di assemblaggio il problema è ancora presente, portare l'elettrodomestico presso un rivenditore autorizzato.

### Accensione e spegnimento

**Avvertenza!** Non tentare mai di bloccare un attuatore-interruttore nella posizione di accesso.

Questo elettrodomestico è dotato di un sistema a doppio interruttore per la sicurezza dell'operatore. Tale sistema impedisce l'avviamento indesiderato dell'elettrodomestico.

### Accensione (Fig. I)

Afferrare saldamente le impugnature e premere entrambi gli attuatori (7) degli interruttori per accendere l'elettrodomestico.

### Spegnimento (Fig. M)

Rilasciare uno dei due interruttori.

**Note** Affinché il prodotto funzioni, è necessario che ambedue gli interruttori siano azionati.

Non sovraccaricare l'elettrodomestico: lasciare allo stesso il tempo di compiere il proprio lavoro. Il prodotto esegue un lavoro migliore e più sicuro alla velocità per cui è stato progettato. Una forza eccessiva può causare l'allungamento della catena del troncareami.

Se la catena (14) o la barra di guida (3) si inceppano:

- ◆ Spegnerne l'elettrodomestico.
- ◆ Scollegare la batteria dell'elettrodomestico.

Aprire il taglio inserendo dei cunei per alleviare la pressione sulla barra di guida. Non tentare di liberare la sega tagliando in senso contrario. Iniziare un taglio nuovo.

### Potatura dei rami (Fig. J)

Assicurarsi che le leggi e i regolamenti locali non proibiscano o controllino la potatura dei rami degli alberi.

- ◆ Assicurarsi che l'elettrodomestico funzioni alla massima velocità prima di iniziare un taglio.
- ◆ Mantenere saldamente in posizione l'elettrodomestico evitandone i possibili rimbalzi o movimenti laterali.
- ◆ Guidare l'elettrodomestico utilizzando una leggera pressione.
- ◆ Tagliare sempre dall'alto verso il basso. In questo modo si evita l'inceppamento della catena del troncareami (14).
- ◆ Togliere i rami come illustrato nella Figura I. Iniziando dalla punta del ramo, ridurre quest'ultimo procedendo secondo logica e tagliandone via piccole sezioni.
- ◆ Togliere l'elettrodomestico dal taglio quando gira ancora a piena velocità.

### Manutenzione

Questo elettrodomestico/elettrodomestico BLACK+DECKER, con o senza filo, è stato progettato per funzionare a lungo con una manutenzione minima. Prestazioni sempre soddisfacenti dipendono da una cura appropriata e da una pulizia regolare.

**Avvertenza!** Prima di eseguire interventi di manutenzione su elettrotensili con o senza filo procedere come descritto di seguito.

- ◆ Spegner e scollegare l'apparecchio/elettrotensile dalla presa elettrica.
- ◆ Oppure spegnere ed estrarre la batteria, se l'elettrodomestico/elettrotensile è dotato di una batteria separata.
- ◆ Oppure scaricare completamente la batteria se è di tipo integrale e quindi spegnerlo.
- ◆ Scollegare il caricabatterie dalla spina prima di pulirlo. Il caricabatterie non richiede nessuna manutenzione, salvo una regolare pulizia.

Pulire regolarmente le prese di ventilazione dell'elettrodomestico/elettrotensile/caricabatterie con un pennello o con un panno morbido e asciutto.

Il vano del motore deve essere pulito regolarmente con un panno umido. Non usare materiali abrasivi o detergenti a base di solventi.

Aprire regolarmente il mandrino (se fornito in dotazione) e batterlo leggermente per eliminare la polvere dall'interno.

### Pulizia

- ◆ Togliere con regolarità il carter della catena (11) e rimuovere eventuali frammenti che vi siano rimasti intrappolati.
- ◆ Pulire regolarmente le feritoie di ventilazione con un pennello pulito e asciutto.
- ◆ Per pulire l'elettrotensile, utilizzare solamente sapone neutro e un panno umido. Evitare la penetrazione di liquidi all'interno dell'elettrotensile e non immergere mai nessuna parte dello stesso in un liquido.

### Lubrificazione

- ◆ Lubrificare con regolarità i punti (15) come indicato nella Figura D.

### Trasporto

- ◆ Trasportare sempre l'elettrotensile con le ganasce chiuse e la chiusura (5) in posizione chiusa.

### Affilatura della catena del troncaremi

Per ottenere prestazioni ottimali, è importante mantenere affilati i denti della catena del troncaremi. Le istruzioni su come eseguire questa procedura sono riportate sulla confezione dell'affilatoio. A tale scopo consigliamo l'acquisto del kit di affilatura della catena per troncaremi, n. A6039 (reperibile presso i centri di assistenza Black & Decker e i rivenditori autorizzati).

### Sostituzione delle catene del troncaremi consumate

Le catene di ricambio per il troncaremi sono disponibili presso i dettaglianti o i centri di assistenza BLACK+DECKER. Utilizzare esclusivamente pezzi di ricambio originali.

### Filo della catena

I taglienti della catena del troncaremi perdono immediatamente il filo se toccano il terreno o un chiodo durante il taglio.

### Tensione della catena del troncaremi

Controllare regolarmente la tensione della catena del troncaremi.

### Riparazione del troncaremi

Il presente elettrotensile è conforme ai requisiti di sicurezza in vigore. Le riparazioni devono essere affidate esclusivamente a personale qualificato ed eseguite solo con pezzi di ricambio originali, per evitare di esporre gli operatori a considerevoli rischi. Consigliamo di conservare il presente manuale d'uso in un luogo sicuro.

### Conservazione

Se si prevede di non utilizzare l'elettrotensile per più mesi, cospargere di olio tutte le parti in metallo. Idealmente lasciare la batteria (6) collegata all'alimentatore.

### Procedere nel modo seguente:

- ◆ Caricare completamente la batteria (6).
- ◆ Estrarre la batteria (6) dall'elettrotensile.
- ◆ Conservare l'elettrotensile e la batteria (6) in un posto sicuro e asciutto. La temperatura del luogo in cui si ripone l'elettrotensile deve sempre essere da +5°C a +40°C. Appoggiare la batteria su di una superficie piana (6).
- ◆ Prima di usare l'elettrotensile dopo un lungo periodo di inutilizzo, caricare di nuovo, completamente, la batteria (6).

### Protezione dell'ambiente



Raccolta differenziata. I prodotti e le batterie contrassegnati con questo simbolo devono essere smaltiti insieme ai normali rifiuti domestici.

I prodotti e le batterie contengono materiali che possono essere recuperati o riciclati, riducendo la richiesta di materie prime. Riciclare i prodotti elettrici e le batterie attenendosi alle disposizioni vigenti a livello locale. Ulteriori informazioni sono disponibili all'indirizzo [www.2helpU.com](http://www.2helpU.com).

## Dati tecnici

		GKC1000L H3	GKC1000LB H3
Tensione	V <sub>DC</sub>	18	18
Velocità della catena (senza carico)	min <sup>-1</sup>	1,9	1,9
Massimo diametro di taglio	mm	100	100
Peso	kg	3,1	3,1

Batteria		BL2018	non inclusa con il modello GKC1000LB
Tensione	V <sub>DC</sub>	18	
Capacità	Ah	2,0	
Tipo		Agli ioni di litio	
Caricabatterie		906349** TIPO 1	non incluso con il modello GKC1000LB
Tensione in ingresso	V <sub>AC</sub>	200-240	
Tensione in uscita	V <sub>dc</sub>	8-20	
Corrente in uscita	mA	1000	
Tempo di carica approssimativo	h	2	

Livello garantito di pressione sonora, misurata in conformità alla normativa EN60745:
Pressione sonora (L <sub>pA</sub> ) 85 dB(A), incertezza (K) 3 dB (A) Potenza acustica (L <sub>WA</sub> ) 95 dB(A), incertezza (K) 2,3 dB(A) L <sub>WA</sub> (pressione sonora garantita) 97 dB(A)

Valori di emissione totali di vibrazioni (somma vettoriale triassiale) in conformità alla norma EN 60745:
taglio di legno dolce appena abbattuto (ah) = 4,9 m/s <sup>2</sup> , incertezza (K) = 1,5 m/s <sup>2</sup>

## Dichiarazione di conformità CE

DIRETTIVA MACCHINE

DIRETTIVA SULLA RUMOROSITÀ ESTERNA



GKC1000L GKC1000LB – Troncarami Alligator™

Black & Decker dichiara che i prodotti descritti al capitolo "Dati tecnici" sono conformi alle seguenti norme::

EN 60745-1:2009 +A11:2010

Questi prodotti sono anche conformi alle Direttive 2006/42/EC, 2014/30/UE e 2011/65/UE.

Per maggiori informazioni contattare Black & Decker al seguente indirizzo oppure consultare l'ultima di copertina del manuale.

Il sottoscritto è responsabile della redazione del presente documento tecnico ed effettua questa dichiarazione per conto di Black & Decker.

A. P. Smith  
Technical Director  
Black & Decker Europe, 210 Bath Road, Slough,  
Berkshire, SL1 3YD  
Regno Unito  
14/03/2019

Per il Troncarami Alligator™ è stata presentata richiesta di brevetto in Europa, negli Stati Uniti e in altri Paesi del mondo. ALLIGATOR è un marchio depositato di Black & Decker Corporation.

## Garanzia

Black & Decker è sicura della qualità dei propri prodotti e offre ai consumatori una garanzia di 24 mesi dalla data di acquisto. Il presente certificato di garanzia è complementare ai diritti legali e non li pregiudica in alcun modo. La garanzia è valida sui territori degli Stati membri dell'Unione Europea o dell'EFTA (Associazione europea di libero scambio).

Per attivare la garanzia, il reclamo deve essere effettuato in accordo con i Termini e Condizioni Black & Decker e sarà necessario presentare la prova di acquisto al venditore o all'agente di riparazione autorizzato. I Termini e condizioni della garanzia Black&Decker di 2 anni e la sede del centro di riparazioni autorizzato più vicino sono consultabili su Internet all'indirizzo [www.2helpU.com](http://www.2helpU.com), o contattando l'ufficio Black&Decker di zona all'indirizzo indicato in questo manuale.

Visitare il nostro sito [www.blackanddecker.it](http://www.blackanddecker.it) per registrare il prodotto Black & Decker appena acquistato e ricevere gli aggiornamenti sui nuovi prodotti e le offerte speciali.

## Bedoeld gebruik

De BLACK+DECKER™ GKC1000L, GKC1000LB Alligator™ Lopper is ontworpen voor het snoeien van boomtakken, het zagen van gevallen takken en het zagen van kleine houtblokken met een diameter van 25 tot 100 mm terwijl de gebruiker op de grond staat. Dit gereedschap is uitsluitend bestemd voor consumentengebruik.

## Veiligheidsinstructies

### Algemene veiligheidswaarschuwingen voor elektrisch gereedschap



**Waarschuwing! Lees alle veiligheidsinstructies en alle instructies.**

Wanneer de volgende waarschuwingen en voorschriften niet in acht worden genomen, kan dit een elektrische schok, brand of ernstig letsel tot gevolg hebben.

**Bewaar alle waarschuwingen en instructies als referentiemateriaal.** De hierna gebruikte term 'elektrisch gereedschap' in alle waarschuwingen die hieronder worden vermeld, heeft betrekking op elektrisch gereedschap voor gebruik op netspanning (met netsnoer) of met een accu (snoerloos).

#### 1. Veilige werkomgeving

- a. **Houd uw werkomgeving schoon en goed verlicht.** Op rommelige of donkere plekken zullen sneller ongelukken gebeuren.
- b. **Werk niet met elektrisch gereedschap in een omgeving met explosiegevaar, zoals in de nabijheid van brandbare vloeistoffen, gasen of stof.** Elektrisch gereedschap veroorzaakt vonken die het stof of de dampen kunnen doen ontbranden.
- c. **Houd kinderen en omstanders tijdens het gebruik van elektrisch gereedschap op afstand.** Als u wordt afgeleid, kunt u de controle over het gereedschap verliezen.

#### 2. Elektrische veiligheid

- a. **De netstekker van het elektrisch gereedschap moet in het stopcontact passen. Pas de stekker nooit op enige manier aan. Gebruik geen adapterstekkers in combinatie met geaard elektrisch gereedschap.** Niet-aangepaste stekkers en passende contactdozen verminderen het risico van een elektrische schok.
- b. **Vermijd aanraking van het lichaam met geaarde oppervlakken, bijvoorbeeld buizen, verwarmingen, fornuizen en koelkasten.** Er bestaat een verhoogd risico van een elektrische schok als uw lichaam contact heeft met aarde.

- c. **Stel elektrisch gereedschap niet bloot aan regen en vocht.** Als er water in een elektrisch gereedschap dringt, verhoogt dit het risico van een elektrische schok.
- d. **Behandel het snoer voorzichtig. Gebruik het snoer nooit om het elektrische gereedschap te dragen of naar u toe te trekken, of de stekker uit het stopcontact te halen. Houd het snoer uit de buurt van warmtebronnen, olie, scherpe randen, of bewegende onderdelen.** Beschadigde snoeren of snoeren die in de war zijn geraakt, verhogen het risico van een elektrische schok.
- e. **Gebruik, wanneer u buitenshuis met elektrisch gereedschap werkt, alleen verlengsnoeren die zijn goedgekeurd voor gebruik buitenshuis.** Het gebruik van een verlengsnoer dat geschikt is voor buiten vermindert het risico van een elektrische schok.
- f. **Als u met elektrisch gereedschap werkt op een vochtige locatie, gebruik dan een aardlekschakelaar (RCD).** Het gebruik van een aardlekschakelaar vermindert het risico van een elektrische schok.

#### 3. Persoonlijke veiligheid

- a. **Blijf alert, let goed op wat u doet en ga met verstand te werk bij het gebruik van elektrische gereedschap. Gebruik elektrisch gereedschap niet als u vermoeid bent of onder de invloed van drugs, alcohol of medicatie bent.** Een moment van onoplettendheid tijdens het werken met elektrisch gereedschap kan leiden tot ernstig persoonlijk letsel.
- b. **Draag persoonlijke beschermende uitrusting. Draag altijd oogbescherming.** Beschermende uitrusting, zoals een stofmasker, antislip veiligheidsschoenen, een helm, of gehoorbescherming, gebruikt in de juiste omstandigheden, zal het risico op persoonlijk letsel verminderen.
- c. **Voorkom per ongeluk inschakelen. Controleer dat de schakelaar in de uit-stand staat voordat u het gereedschap aansluit op het stopcontact en/of de accu plaatst en voordat u het gereedschap optilt of gaat dragen.** Het dragen van elektrisch gereedschap met uw vinger op de schakelaar of het aanzetten van elektrisch gereedschap waarvan de schakelaar aan staat, kan leiden tot ongelukken.
- d. **Verwijder instelgereedschap of schroefsleutels voordat u het elektrisch gereedschap inschakelt.** Een steeksleutel of een inbussleutel in een draaiend deel van het elektrisch gereedschap kan tot persoonlijk letsel leiden.
- e. **Reik niet buiten uw macht. Blijf altijd stevig en in balans op de grond staan.** Dit geeft u betere controle over het elektrisch gereedschap in onverwachte situaties.
- f. **Draag geschikte kleding. Draag geen loszittende kleding of sieraden. Houd uw haar, kleding en handschoenen uit de buurt van bewegende**

- onderdelen.** Loszittende kleding, sieraden of lang haar kunnen door bewegende delen worden gegrepen.
- g. Als voorzieningen voor stofafzuiging of stofopvang kunnen worden gemonteerd, controleer dan dat deze zijn aangesloten en op de juiste wijze worden gebruikt.** Het gebruik van stofafzuiging kan aan stof gerelateerde gevaren verminderen.
- h. Word niet gemakzuchtig doordat u door veelvuldig gebruik vertrouwd bent geraakt met het gereedschap, en verlies niet de veiligheidsbeginselen uit het oog.** Een onvoorzichtige handeling kan in een fractie van een seconde ernstig letsel tot gevolg hebben.
- 4. Gebruik en onderhoud van elektrisch gereedschap**
- a. Overbelast het elektrisch gereedschap niet. Gebruik het juiste elektrisch gereedschap voor uw toepassing.** Met het juiste elektrisch gereedschap kunt u de werkzaamheden waarvoor het gereedschap is ontworpen, beter en veiliger uitvoeren.
- b. Gebruik het elektrisch gereedschap niet als de schakelaar niet goed werkt.** Ieder elektrisch gereedschap dat niet met de schakelaar kan worden bediend, is gevaarlijk en moet worden gerepareerd.
- c. Trek de stekker uit het stopcontact en/of de accu uit het elektrisch gereedschap voordat u het gereedschap instelt, accessoires wisselt of het elektrisch gereedschap opbergt.** Dergelijke preventieve veiligheidsmaatregelen verminderen het risico dat het elektrisch gereedschap per ongeluk wordt gestart.
- d. Bewaar elektrisch gereedschap dat niet wordt gebruikt, buiten bereik van kinderen. Laat niet personen die er niet vertrouwd mee zijn en deze aanwijzingen niet hebben gelezen met het gereedschap werken.** Elektrisch gereedschap is gevaarlijk in handen van ongetrainde gebruikers.
- e. Onderhoud het gereedschap goed. Controleer dat bewegende delen van het elektrisch gereedschap wel goed functioneren en niet klemmen, en dat er niet onderdelen zodanig zijn gebroken of beschadigd dat de werking van het gereedschap nadelig wordt beïnvloed. Laat het gereedschap voor gebruik repareren als het beschadigd is.** Veel ongelukken worden veroorzaakt door slecht onderhouden elektrisch gereedschap.
- f. Houd zaag- en snijgereedschap scherp en schoon.** Goed onderhouden zaaggereedschap met scherpe snijvlakken loopt minder snel vast en is gemakkelijker onder controle te houden.
- g. Gebruik elektrisch gereedschap, accessoires, zaagjes en boortjes, enz., volgens deze aanwijzingen. Let daarbij op de arbeidsomstandigheden en de uit te voeren werkzaamheden.** Gebruik van het elektrisch gereedschap voor werkzaamheden die anders zijn dan bedoeld, kan leiden tot een gevaarlijke situatie.
- h. Houd de handgrepen droog, schoon en vrij van olie en vet.** Gladde handgrepen en hellende oppervlakken maken het moeilijk het gereedschap veilig te hanteren en onder controle te houden in onverwachte situaties.
- 5. Gebruik en onderhoud van accugereedschap**
- a. Laad accu's alleen op met de door de fabrikant aanbevolen lader.** Een lader die geschikt is voor het ene type accu, kan een risico van brand doen ontstaan bij gebruik met een andere accu.
- b. Gebruik elektrisch gereedschap alleen in combinatie met specifiek vermelde accu's.** Het gebruik van andere accu's kan gevaar voor letsel en brand opleveren.
- c. Houd de accu, wanneer u deze niet gebruikt, weg bij andere metalen objecten zoals paperclips, munten, sleutels, spijkers, schroeven of andere kleine metalen voorwerpen die een verbinding tot stand kunnen brengen tussen de ene pool en de andere.** Als kortsluiting tussen de polen van de accu wordt gemaakt, kan dit tot brandwonden of brand leiden.
- d. Wanneer de accu slecht wordt behandeld, kan er vloeistof uit de accu spuiten, vermijd contact met deze vloeistof. Als er per ongeluk contact ontstaat, spoel dan met water. Als de vloeistof in de ogen komt, roep dan tevens medische hulp in.** Vloeistof uit de accu kan irritatie en brandwonden veroorzaken.
- e. Gebruik niet accu's of gereedschappen die beschadigd zijn of waaraan wijzigingen zijn aangebracht.** Beschadigde of gemodificeerde accu's kunnen zich onvoorspelbaar gedragen wat brand, explosie of een risico van letsel met zich mee kan brengen.
- f. Stel een accu of gereedschap niet bloot aan vuur of uitzonderlijk hoge temperaturen.** Blootstelling aan vuur of een temperatuur boven 130° C kan explosie tot gevolg hebben.
- g. Volg alle instructies voor het opladen en laad de accu of het gereedschap niet bij een temperatuur buiten het temperatuurbereik dat wordt opgegeven in de instructies.** Onjuist opladen of opladen bij temperaturen buiten het opgegeven bereik kan de accu beschadigen en het risico van brand vergroten.
- 6. Service**
- a. Volg alle instructies voor het opladen en laad de accu of het gereedschap niet op bij een temperatuur buiten het temperatuurbereik dat wordt opgegeven in de instructies.** Onjuist opladen of opladen bij temperaturen buiten het opgegeven bereik kan de accu beschadigen en het risico van brand vergroten.

- b. Voer nooit servicewerkzaamheden uit aan accu's.**  
Alleen de fabrikant of een geautoriseerd servicecentrum mag servicewerkzaamheden aan accu's uitvoeren.

### Aanvullende veiligheidswaarschuwingen voor elektrisch gereedschap



**Waarschuwing!** Aanvullende veiligheidswaarschuwingen voor Alligator™ Lopper.

**Waarschuwing!** Gebruik het gereedschap nooit boven schouderhoogte. Zorg dat u buiten de baan blijft van vallende takken en zaagafval.

**Waarschuwing!** Gebruik dit gereedschap niet om bomen om te zagen.

- ◆ **Houd elektrisch gereedschap vast aan de geïsoleerde oppervlakken wanneer u een bedieningshandeling uitvoert waarbij het zaaggereedschap in contact kan komen met verborgen bedrading of het eigen snoer.** Wanneer een onder spanning staand snoer wordt geraakt, komen ook onbedekte metalen onderdelen van het gereedschap onder spanning, en kunt u een elektrische schok krijgen.
- ◆ **Blijf te allen tijde met lichaam en kleding uit de buurt van de zaagketting.** Controleer voordat u de kettingzaag start dat de zaagketting vrij kan draaien. Een moment van onoplettendheid bij het gebruik van het gereedschap kan ertoe leiden dat kledingstukken of lichaamsdelen in de kettingzaag verstrikt raken. Houd het gereedschap vóór u en wees u bewust van de stand van de zaagketting, vooral als u takken vlak bij de grond doorzaagt.
- ◆ **Bepaal van tevoren een veilige vluchtweg bij vallende takken en zaagafval. Zorg dat de vluchtweg vrij is van obstakels die u zouden kunnen hinderen.** Bedenk dat nat gras en vers gezaagde boomschors glad zijn.
- ◆ **Bedenk van te voren in welke richting een tak zal vallen.** Houd rekening met alle factoren die de valrichting kunnen beïnvloeden, zoals:
  - ◆ De beoogde valrichting.
  - ◆ De natuurlijke kromming van de tak.
  - ◆ Een ongebruikelijke verdikking of rotte plek.
  - ◆ Andere bomen of obstakels zoals bovengrondse kabels.
  - ◆ De richting en kracht van de wind.
- ◆ **De veilige afstand tussen een tak die wordt afgezaagd en omstanders, gebouwen en andere objecten is ten minste 2 1/2 keer de lengte van de tak.** Een omstander, gebouw of object binnen deze afstand loopt het risico door de vallende tak te worden geraakt.
- ◆ **Wees er bedacht op dat takken die onder spanning staan, kunnen terugveren wanneer u ze doorzaagt.** Wanneer de spanning in de houtvezels vrijkomt, kan

de tak tegen u aanslaan en/of het gereedschap uit uw handen slaan.

- ◆ Draag altijd geschikte veiligheidsmiddelen bij het gebruik van het gereedschap, zoals veiligheidsschoenen met antislipzolen, een helm, een stofbril, gehoorbeschermers en handschoenen.
- ◆ Zorg dat er iemand in de buurt (maar op veilige afstand) is voor het geval er zich een ongeluk voordoet.
- ◆ Gebruik het gereedschap nooit terwijl u in een boom, op een ladder of op een andere instabiele verhoging staat.
- ◆ Blijf altijd stevig en in balans op de grond staan.
- ◆ Houd het gereedschap stevig met beide handen vast als de motor draait.
- ◆ Houd de handvatten droog, schoon en vrij van olie en vet. Vettige handvatten zijn glad, waardoor u de controle over het gereedschap kunt verliezen.
- ◆ Zorg dat het uiteinde van het zwaard nergens mee in aanraking komt als de zaagketting draait.
- ◆ Zorg dat de ketting op de juiste spanning blijft. Controleer de kettingspanning regelmatig met de motor uit en het netsnoer losgekoppeld.
- ◆ Zaag uitsluitend met de ketting draaiend op volle snelheid.
- ◆ Wees bedacht op bewegende takken of andere krachten die de zaagsnede kunnen dichtknijpen of met de ketting in aanraking kunnen komen.
- ◆ Ga zeer voorzichtig te werk wanneer u verder gaat zagen in een eerder gemaakte zaagsnede. Zorg dat de tanden van de onderkaak in het hout grijpen en laat de zaagketting op volle snelheid komen voordat u verdergaat met zagen.
- ◆ Het gebruik van dit gereedschap voor doeleinden waarvoor het niet is ontworpen kan leiden tot gevaarlijke situaties. Zaag uitsluitend hout. Gebruik het gereedschap niet om andere materialen mee te zagen, zoals kunststoffen, metaalwerk of andere bouwmaterialen dan hout.
- ◆ Als er zaagafval in het gereedschap vast komt te zitten, stop dan met zagen, verwijder de accu en het afval.
- ◆ Een versleten zaagketting en kettinggeleider moeten worden vervangen.
- ◆ Gebruik uitsluitend door de fabrikant aanbevolen vervangingsonderdelen.

### Overige risico's

Er kunnen zich bij het gebruik van dit gereedschap nog meer risico's voordoen, die mogelijk niet in de bijgesloten veiligheidswaarschuwingen worden beschreven. Deze risico's kunnen zich voordoen door onoordeelkundig gebruik, langdurig gebruik, enz.

Zelfs wanneer de veiligheidsvoorschriften in acht worden genomen en de veiligheidsvoorzieningen worden gebruikt, kunnen bepaalde risico's niet worden uitgesloten. Dit zijn onder meer:



- ◆ Verwondingen die worden veroorzaakt door het aanraken van draaiende of bewegende onderdelen.
- ◆ Verwondingen die worden veroorzaakt bij het vervangen van onderdelen, bladen of accessoires.
- ◆ Verwondingen die worden veroorzaakt door langdurig gebruik van het gereedschap. Wanneer u langere periodes met de machine werkt, kunt u het beste regelmatig een pauze nemen.
- ◆ Gehoorbeschadiging.
- ◆ Gezondheidsrisico's als gevolg van het inademen van stof dat door gebruik van het gereedschap wordt veroorzaakt (bijvoorbeeld tijdens het werken met hout, met name eiken, beuken en MDF).

## Trillingen

De aangegeven waarden voor trillingsemisatie in de technische gegevens en de conformiteitverklaring zijn gemeten conform een standaardtestmethode die door EN 60745 wordt geboden. Hiermee kan het ene gereedschap met het andere worden vergeleken. De aangegeven waarde voor trillingsemisatie kan ook worden gebruikt bij een voorlopige bepaling van blootstelling.

**Waarschuwing!** De waarde voor trillingsemisatie tijdens het werkelijke gebruik van het elektrisch gereedschap kan verschillen van de aangegeven waarde afhankelijk van de manieren waarop het gereedschap wordt gebruikt. Het trillingsniveau kan toenemen tot boven het aangegeven niveau.

Bij beoordeling van de blootstelling aan trillingen met het doel vast te stellen welke veiligheidsmaatregelen 2002/44/EG vereist ter bescherming van personen die tijdens hun werk regelmatig elektrisch gereedschap gebruiken, moet bij een inschatting van de blootstelling aan trillingen rekening worden gehouden met de werkelijke gebruiksomstandigheden en de manier waarop het gereedschap wordt gebruikt. Daarbij moet ook rekening worden gehouden met alle onderdelen van de bedrijfscyclus, zoals wanneer het gereedschap wordt uitgeschakeld en wanneer het gereedschap stationair loopt en ook de aanlooptijd.

## Etiketten op het gereedschap

Naast de datumcode is het gereedschap voorzien van de volgende symbolen:



**Waarschuwing!** De gebruiker moet de instructiehandleiding lezen zodat het risico van letsel wordt beperkt.



Gebruik uw zaag niet in natte omstandigheden en stel deze niet bloot aan regen.



Draag altijd oogbescherming.



Draag altijd gehoorbescherming.



Wees bedacht op vallende voorwerpen



Houd omstanders op afstand



Gebruik geen ladders



Controleer voor een voortdurend veilig gebruik steeds na 10 minuten gebruik de kettingspanning, zoals beschreven in deze handleiding en stel, als dat nodig is, de ketting opnieuw af op een speling van 3 mm. Smeer de ketting steeds na 10 minuten gebruik.



**Waarschuwing!** Raak de zaagketting niet aan bij het zaagsluitwepunt



Draairichting van de ketting.



Richtlijn 2000/14/EG gegarandeerd geluidsvermogen

## Aanvullende veiligheidsinstructies voor accu's en laders (niet meegeleverd bij de GKC1000LB)

### Accu's (niet meegeleverd bij GKC1000LB)

- ◆ Probeer nooit om welke reden dan ook de accu open te maken.
- ◆ Stel de accu niet bloot aan water.
- ◆ Stel de accu niet bloot aan hitte.
- ◆ Bewaar de accu niet op locaties met temperaturen van meer dan 40 °C.
- ◆ Laad de accu alleen op bij een omgevingstemperatuur van 10 °C tot 40 °C.
- ◆ Gebruik alleen de lader die bij het gereedschap/apparaat is geleverd. Het gebruik van de verkeerde lader kan een elektrische schok of oververhitting van de accu tot gevolg hebben.
- ◆ Gooi lege accu's weg volgens de instructies in het gedeelte "Het milieu beschermen".
- ◆ U mag de accubehuizing niet beschadigen of vervormen door er gaten in te prikken of ertegen aan te stoten, aangezien dit kan leiden tot letsel of brand.
- ◆ Laad beschadigde batterijen niet op.

Onder extreme omstandigheden kan lekkage van batterijen optreden. Wanneer de accu's nat of vochtig zijn, veegt u de vloeistof voorzichtig af met een doek. Vermijd huidcontact. Volg in het geval van huid- of oogcontact onderstaande instructies.

**Waarschuwing!** De accuvloeistof kan lichamelijke letsel en materiële schade veroorzaken. Bij huidcontact moet u de vloeistof direct afspelen met water. Raadpleeg uw huisarts als er rode vlekken ontstaan of bij een pijnlijke of geïrriteerde huid. Bij oogcontact moet u de vloeistof direct uitspelen met water en uw huisarts raadplegen.

**Laders (niet meegeleverd bij GKC1000LB)**

**Waarschuwing!** De lader is ontworpen voor een bepaalde spanning. Controleer altijd dat de netspanning overeenkomt met de waarde op het typeplaatje.

**Waarschuwing!** Probeer nooit de lader te voorzien van een normale netstekker.

- ◆ Gebruik de lader van BLACK+DECKER alleen voor de accu in het gereedschap/ apparaat waarbij de lader is geleverd. Andere accu's kunnen openbarsten, met persoonlijk letsel en materiële schade tot gevolg.
- ◆ Niet-oplaadbare accu's mogen nooit worden opgeladen.
- ◆ Als het netsnoer is beschadigd, moet het worden vervangen door de fabrikant of een officieel BLACK+DECKER-servicecentrum zodat gevaarlijke situaties worden voorkomen.
- ◆ Stel de lader niet bloot aan water.
- ◆ Open de lader niet.
- ◆ Prik nooit met een scherp voorwerp in de lader.
- ◆ Plaats de oplader tijdens het opladen van de accu op een goed geventileerde locatie.

**Labels op de lader (niet meegeleverd bij GKC1000LB)**

Uw lader is voorzien van de volgende symbolen:



De lader is uitsluitend bestemd voor gebruik binnenshuis.



Lees de instructiehandleiding voordat u de lader in gebruik neemt.

### Elektrische veiligheid



De lader is dubbel geïsoleerd, en daarom is een aardedraad niet nodig. Controleer altijd dat de netspanning overeenkomt met de waarde op het typeplaatje. Probeer nooit de lader te voorzien van een normale netstekker.

- ◆ Als het netsnoer is beschadigd, moet dit worden vervangen door de fabrikant of een BLACK+DECKER-servicecentrum, zodat gevaarlijke situaties worden voorkomen.

### Functies

1. Bovenkaak
2. Onderkaak
3. Kettinggeleider
4. Smeerpuntafdekking
5. Grendel
6. Accu (niet meegeleverd bij GKC1000LB)
7. Aan/uit-schakelaars
8. Zaagselafvoer
9. Lader (niet meegeleverd bij GKC1000LB)

**Plaatsing (accu en de lader niet meegeleverd bij GKC1000LB)**

**Waarschuwing!** Verwijder de accu (6) uit het gereedschap voordat u gaat monteren.

**De accu plaatsen en verwijderen (afb. A)**

- ◆ U plaatst de accu (6) door deze op één lijn te plaatsen met het contragedeelte op het gereedschap. Schuif de accu (6) in het contragedeelte en duw totdat de accu (6) vastklikt.
- ◆ Druk, als u de accu (6) wilt verwijderen, op de vrijgaveknop (18) en trek tegelijkertijd de accu (6) uit het contragedeelte.

**De handgrepen openen (afb. B)**

- ◆ Schuif, als u de handgrepen wilt openen, de grendel (5) naar achteren en trek de handgrepen uit elkaar.
- ◆ Sluit na gebruik de handgrepen en schuif de grendel (5) naar voren in de vergrendelde positie. De handgrepen moeten vergrendeld zijn wanneer u het gereedschap vervoert en opbergt.

**Kettingspanning afstellen (afb. C)**

**Waarschuwing!** Schakel het gereedschap uit en verwijder de accu alvorens de kettingspanning of andere onderdelen af te stellen.

**Waarschuwing!** De kettinggeleider en de zaagketting kunnen na gebruik heet zijn. Laat het apparaat afkoelen voor u afstelwerkzaamheden uitvoert.

Het product wordt klaar voor gebruik geleverd. Maar wij adviseren u de spanning van de zaagketting (14) en de bouten van de kettingkap voor gebruik te controleren en zo nodig af te stellen.

**De zaagkettingspanning controleren en afstellen (afb. C)**

Draai, als u de zaagketting (14) wilt spannen, de twee kettingkapbouten (12) met de steeksleutel (13) los. De kettingspanner drukt nu de kettinggeleider (3) naar voren, waardoor de juiste kettingspanning ontstaat. Zet de twee kettingbouten (12) weer stevig vast.

Controleer dat de juiste kettingspanning is ingesteld door licht aan de zaagketting (14) te trekken. De spanning is goed wanneer de zaagketting terugschiet wanneer u de ketting 3 mm van de kettinggeleider wegtrekt. De zaagketting (14) mag niet "doorzakken" aan de onderzijde van kettinggeleider (3).

**Opmerking:** Stel de zaagketting niet te strak af, dit leidt tot overmatige slijtage en beperkt de levensduur van de geleider en de zaagketting. Daarnaast zullen de prestaties van het gereedschap verminderen.

**Opmerking:** Controleer de kettingspanning regelmatig bij het eerste gebruik en na vervanging van de zaagketting, aangezien nieuwe zaagkettingen meer rek vertonen.

## De zaagketting en de kettinggeleider vervangen

Na langdurig gebruik moet de zaagketting (14) en/of de kettinggeleider (3) mogelijk worden vervangen. Let erop dat alleen door Black & Decker aanbevolen vervangende onderdelen worden gebruikt.

## De zaagketting en de kettinggeleider verwijderen (afb. C & D)



Draag altijd handschoenen bij het verwijderen of monteren van de zaagketting (8). De ketting is scherp en kan u ook verwonden als deze niet draait.

**Waarschuwing!** De kettinggeleider en de zaagketting kunnen na gebruik heet zijn. Laat de kettinggeleider en ketting afkoelen alvorens deze te vervangen.

- ◆ Plaats het gereedschap op een stevige ondergrond.
- ◆ Draai de twee kettingbouten (12) linksom met de meegeleverde sleutel (13) en verwijder ze vervolgens.
- ◆ Verwijder de kettingkap (11).
- ◆ Schuif de grendel (5) naar de ontgrendelde positie, open de handgrepen en trek de bovenkaak (1) naar achteren.
- ◆ Trek de kettinggeleider (3) naar achteren en haal vervolgens de zaagketting (14) uit de groef in de kettinggeleider. De zaagketting kan nu van het gereedschap worden verwijderd.
- ◆ De kettinggeleider (3) kan achterover worden getrokken en worden los getild.

## De kettinggeleider en de kettinggeleider monteren (afb. E & F)

**Waarschuwing!** Draag altijd veiligheidshandschoenen bij het verwijderen of monteren van de zaagketting. De ketting is scherp en kan u ook verwonden als deze niet draait.

- ◆ Plaats het gereedschap op een stevige ondergrond om de montage uit te voeren.
- ◆ Schuif de grendel (5) naar de ontgrendelde positie, open de handgrepen en trek de bovenkaak (1) naar achteren.

- ◆ Plaats de kettinggeleider (3) in de uitsparing tussen de kettingspanner en plaats deze op één lijn met de richter van de kettinggeleider. Laat de kettinggeleider (3) naar beneden 'vallen' zodat de geleider op z'n plaats komt.
- ◆ Plaats de zaagketting (14) om de voorzijde van de kettinggeleider (3).
- ◆ Trek de kettinggeleider (3) en de zaagketting (14) naar achteren, plaats de ketting in de groef in de kettinggeleider (3) en trek de ketting om het tandwiel (16), zodat de tanden van het tandwiel in de ketting grijpen.
- ◆ Plaats de kettingkap (11) terug, breng de twee kettingbouten (12) aan en zet deze stevig vast.
- ◆ Zorg ervoor dat de zaagketting (14) juist is geplaatst ten opzichte van de markeringen op het gereedschap.

## Smeren (afb. G)

- ◆ Voor de ingebruikname en na elke tien minuten gebruik moet het gereedschap worden gesmeerd met de juiste kettingolie. (Cat.nr. A6027) Open de smeerpuntafdekking (4) en zet de tuit van het olieflesje tegen de smeeropening (15). Breng vervolgens olie aan door licht in het olieflesje te knijpen.
- ◆ Dit is voldoende voor ongeveer 10 minuten gebruik, afhankelijk van de zaagsnelheid en de houtsoort.

Via de smeeropening loopt de olie naar de zaagketting en de kettinggeleider (3). Als u te veel olie aanbrengt, zal deze ook in het gebied rond de kaken terechtkomen. Dit is normaal en niets om u zorgen over te maken.

## Gebruik van het apparaat

### De accu opladen (afb. H) (niet meegeleverd bij GKC1000LB)

**Waarschuwing!** Laad de batterij niet op bij een omgevingstemperatuur van lager dan 10 °C of hoger dan 40 °C. De aanbevolen laadtemperatuur ligt rond de 24 °C.

**Opmerking:** De lader zal de accu niet opladen als de celtemperatuur lager is dan 0 °C of hoger dan 40 °C. Laat de accu in dat geval in de lader zitten. De lader wordt automatisch ingeschakeld wanneer de accu de juiste temperatuur heeft.

- ◆ Als u de accu (6) wilt opladen, schuift u de accu in de lader (9). De accu past maar op één manier in de lader. Oefen er geen kracht op uit.
- ◆ Controleer dat de accu volledig in de lader (9) is geplaatst.
- ◆ Steek de stekker van de lader (9) in een stopcontact.
- ◆ Het oplaadindicatielampje (19) knippert (langzaam).
- ◆ Wanneer het indicatielampje (19) continu groen brandt, is de accu volledig opgeladen.
- ◆ Het LED-lampje gaat groen knipperen (opladen), omdat de accu zo nu en dan door de lader wordt bijgeladen.

- ◆ De laadindicator (19) blijft branden zo lang de accu zich op de lader bevindt en de lader is aangesloten op het stopcontact (9).

Lege accu's moeten binnen 1 week worden opgeladen. De levensduur van de accu loopt aanzienlijk terug als de accu in onopgeladen toestand wordt opgeborgen.

### De accu in de lader laten

U kunt de accu voor onbepaalde tijd in de lader laten terwijl het LED-lampje blijft branden. De lader houdt de accu vers en volledig opgeladen.

### Diagnose van de accu door de lader

Als de lader waarneemt dat de accu is beschadigd, zal de zal het indicatielampje snel rood knipperen. Ga als volgt te werk:

- ◆ Plaats de accu (6) opnieuw.
- ◆ Als het indicatielampje (19) snel rood blijft knipperen, controleer dan met een andere accu of de lader wel goed werkt.
- ◆ Als de andere accu goed wordt opgeladen, is de oorspronkelijke accu defect. Breng de accu naar een servicecentrum voor recycling.
- ◆ Als het lampje ook bij de andere accu snel knippert, moet u de lader laten testen bij een erkend servicecentrum.

**Opmerking: Het kan soms wel 60 minuten duren voordat kan worden vastgesteld dat de accu niet goed functioneert. Als de accu te warm of te koud is, knippert het lampje afwisselend snel en langzaam rood.**

### Vorbereiding

- ◆ Reinig het gereedschap regelmatig volgens de instructies in de paragraaf Onderhoud, met name de ruimte onder de kettingkap (11).
- ◆ De onderkaak (2) en bovenkaak (1) zijn zo ontworpen dat ze sluiten wanneer één van de handgrepen wordt losgelaten of nadat een tak is doorgezaagd. Als dit niet gebeurt, schakel het gereedschap dan onmiddellijk uit en haal de accu uit het gereedschap.
- ◆ Ga na of de beweging wordt verhinderd door zaagafval. Hiervoor kan het nodig zijn om de kettingkap (11) te verwijderen. Als het probleem zich na de montage nog steeds voordoet, breng het gereedschap dan naar een erkend servicecentrum.

### In- en uitschakelen

**Waarschuwing!** Probeer nooit om een aan/uit-schakelaar in de ingeschakelde stand vast te zetten. Om veiligheidsredenen is dit gereedschap voorzien van een dubbel schakelaarsysteem. Hierdoor wordt onbedoeld inschakelen van het gereedschap voorkomen.

### Inschakelen (afb. I)

Pak vooral de handvatten stevig vast, knijp vervolgens beide schakelaars (7) in en schakel het gereedschap in.

### Uitschakelen (afb. M)

Laat één van beide schakelaars los.

**Opmerkingen:** U kunt het gereedschap alleen inschakelen door beide schakelaars te bedienen. Oefen geen druk uit op het gereedschap - laat het werk over aan de zaagketting. Het gereedschap werkt het effectiefst en het veiligst op de snelheid waarvoor het is ontworpen. Bij een overmatige krachtoefening wordt de zaagketting uitgerekt.

Als de zaagketting (14) of het zwaard (3) vast komt te zitten:

- ◆ Schakel het gereedschap uit.
- ◆ Verbreek de verbinding van de accu met het gereedschap. Open de zaagsnede met een wig zodat de spanning op de kettinggeleider afneemt. Probeer niet het gereedschap los te wrikken. Begin een nieuwe zaagsnede.

### Takken snoeien (afb. J)

Verzeker u ervan dat er geen wetten of regels zijn die het snoeien van de takken verbieden.

- ◆ Zorg dat het gereedschap op volle snelheid draait voordat u een zaagsnede gaat maken.
- ◆ Houd het gereedschap stevig op zijn plaats zodat terugslag of zijwaartse beweging van het gereedschap worden voorkomen.
- ◆ Oefen een lichte druk uit om het gereedschap te sturen.
- ◆ Zaag altijd van boven naar beneden. Hierdoor voorkomt u dat de zaagketting (14) in de zaagsnede beklemd raakt.
- ◆ Verwijder de takken zoals aangegeven in afb. I. Begin bij het uiteinde en zaag de takken in kleine delen tot op de gewenste lengte.
- ◆ Haal het gereedschap uit de zaagsnede terwijl het nog op volle snelheid draait.

### Onderhoud

Uw BLACK+DECKER-machine/-gereedschap (met netsnoer/snoerloos) is ontworpen om gedurende langere tijd te functioneren met een minimum aan onderhoud. Het continu naar tevredenheid functioneren hangt af van de juiste zorg voor het gereedschap en regelmatig schoonmaken.

**Waarschuwing!** Ga altijd als volgt te werk voor u onderhoud aan het elektrisch gereedschap (met snoer/snoerloos) uitvoert:

- ◆ Schakel het gereedschap/apparaat uit en trek de stekker uit het stopcontact.
- ◆ Als het gereedschap/apparaat een afzonderlijke accu heeft, schakelt u het gereedschap/apparaat uit en haalt u de accu eruit.
- ◆ Als de accu is ingebouwd, laat u deze volledig ontladen. Schakel dan het apparaat uit.

- ◆ Neem de lader uit het stopcontact voordat u deze schoonmaakt. Behalve regelmatige reiniging vraagt de lader geen onderhoud.

Reinig regelmatig de ventilatiesleuven van het gereedschap/apparaat/lader met een zachte borstel of droge doek.

Reinig de behuizing regelmatig met een vochtige doek.

Gebruik niet een schurend schoonmaakmiddel of een schoonmaakmiddel op basis van een oplosmiddel.

Open regelmatig de boorkop en verwijder stof eruit door erop te tikken (wanneer een boorkop is gemonteerd).

## Reiniging

- ◆ Verwijder regelmatig de kettingkap (11) en verwijder zaagafval dat zich heeft verzameld.
- ◆ Reinig de ventilatieopeningen regelmatig met een schone, droge kwast.
- ◆ Reinig het gereedschap uitsluitend met een milde reinigungsoplossing en een vochtige doek. Laat nooit vloeistof in het apparaat dringen en dompel de onderdelen van het apparaat nooit onder in een vloeistof.

## Smeren

- ◆ Smeer het gereedschap regelmatig bij de smeerpunten (15) zoals aangegeven in afb. D.

## Vervoer

- ◆ Vervoer het gereedschap altijd met gesloten kaken en de grendel (5) in de gesloten positie.

## Zaagketting slijpen

Voor optimale prestaties van het gereedschap moet u de tanden van de zaagketting scherp houden. Richtlijnen voor deze procedure vindt u op de verpakking van de slijper. Wij raden u aan voor dit doel de BLACK+DECKER kettingslijpset A6039 aan te schaffen (verkrijgbaar bij servicecentra van BLACK+DECKER en geselecteerde dealers).

## Versleten ketting vervangen

Reservekettingen zijn verkrijgbaar in de detailhandel of bij BLACK+DECKER servicecentra. Gebruik altijd reserveonderdelen van Black & Decker.

## Scherpte van zaagketting

De zaagtanden worden direct bot als deze tijdens het zagen de grond of een spijker raken.

## Spanning van zaagketting

Controleer regelmatig de kettingspanning.

## Reparatie van de kettingzaag

Uw gereedschap voldoet aan de geldende veiligheidseisen. Reparaties mogen uitsluitend worden uitgevoerd door bevoegde vakmensen en met behulp van originele reserveonderdelen. Niet-naleving van deze regel kan aanzienlijk gevaaren voor de gebruiker opleveren. Bewaar deze gebruiksaanwijzing op een veilige plaats.

## Opslag

Veeg de metalen onderdelen af met een in olie gedrenkte doek als het gereedschap enkele maanden niet wordt gebruikt. Het is raadzaam de accu (6) verbonden te laten met de lader.

## Ga in dat geval als volgt te werk:

- ◆ Laad de accu (6) volledig op.
- ◆ Verwijder de accu (6) uit het gereedschap.
- ◆ Berg het gereedschap en de accu (6) op een veilige en droge plaats op. De temperatuur in de opbergruimte moet altijd tussen + +5 °C en +40 °C liggen. Plaats de accu (6) op een vlakke ondergrond.
- ◆ Voordat u het gereedschap weer gebruikt na langdurige opslag, dient u de accu (6) opnieuw op te laden.

## Het milieu beschermen



Gescheiden afvalinzameling. Producten en accu's die van dit merkteken zijn voorzien, mogen niet bij het normaal huishoudelijk afval worden weggegooid.

Producten en accu's bevatten materialen die kunnen worden teruggewonnen of gerecycled, wat de vraag naar grondstoffen doet afnemen.

Recycle elektrische producten en accu's volgens de ter plaatse geldende voorschriften. Nadere informatie is beschikbaar op [www.2helpU.com](http://www.2helpU.com).

## Technische gegevens

		GKC1000L H3	GKC1000LB H3
Spanning	V <sub>DC</sub>	18	18
Kettingsnelheid (onbelast)	min <sup>-1</sup>	1,9	1,9
Maximale diameter voor zaagsnede	mm	100	100
Gewicht	kg	3,1	3,1

Accu		BL2018	GKC1000LB niet meegeleverd
Spanning	V <sub>DC</sub>	18	
Capaciteit	Ah	2,0	
Type		Li-Ion	
Lader		906349** TYPE 1	GKC1000LB niet meegeleverd
Ingangsspanning	V <sub>AC</sub>	200-240	
Uitgangsspanning	V <sub>DC</sub>	8-20	
Uitgangsstroom	mA	1000	
Oplaadtijd ongev.	h.	2	

**Gegarandeerd geluidsrukniveau gemeten volgens EN60745:**

LpA (Geluidsdruk) 85 dB(A), onzekerheid (K) 3 dB(A)  
 LwA (Geluidsvermogen) 95 dB(A), onzekerheid (K) 2,3 dB(A)  
 LwA (gegarandeerd geluidsvermogen) 97 dB(A)

**Totale trillingswaarden (som triaxvector) volgens EN 60745:**

Het zagen van onlangs geveld zacht hout (ah) = 4,9 m/s<sup>2</sup>,  
 meetonzekerheid (K) = 1,5 m/s<sup>2</sup>

**EG conformiteitsverklaring**

**RICHTLIJN VOOR MACHINES**

**RICHTLIJN VOOR GELUID BUITENSHUIS**



GKC1000L, GKC1000LB – Alligator™ Lopper

Black & Decker verklaart dat deze producten, die worden beschreven onder 'Technische gegevens', voldoen aan: EN 60745-1:2009 +A11:2010

Deze producten voldoen tevens aan richtlijn 2006/42/EC, 2014/30/EU en 2011/65/EU.

Neem voor meer informatie contact op met Black & Decker op het volgende adres of raadpleeg de achterzijde van de handleiding.

Ondergetekende is verantwoordelijk voor de samenstelling van het technische bestand en legt deze verklaring af namens Black & Decker.

A. P. Smith  
 Technical Director  
 Black & Decker Europe, 210 Bath Road, Slough,  
 Berkshire, SL1 3YD  
 Verenigd Koninkrijk  
 14/03/2019

Het ontwerp van de Alligator™ Lopper wordt beschermd door patenten in Europa, de Verenigde Staten en andere landen overal ter wereld. ALLIGATOR is een handelsmerk van Black & Decker Corporation.

**Garantie**

Black & Decker heeft vertrouwen in zijn producten en biedt consumenten een garantie van 24 maanden vanaf de datum van aankoop. Deze garantie vormt een aanvulling op uw wettelijke rechten en beperken deze niet. De garantie is geldig op het grondgebied van de Lidstaten van de Europese Unie en de Europese Vrijhandelszone.

Voor een garantie-aanspraak moet uw aanspraak in overeenstemming zijn met de Voorwaarden en Condities van Black & Decker en moet u een bewijs van aankoop overleggen aan de verkoper of aan een geautoriseerde reparatiemonteur. Voorwaarden en condities van de 2-jarige garantie van Black&Decker en het adres van de vestiging van het geautoriseerde reparatiecentrum bij u in de buurt, kunt u vinden op internet op [www.2helpU.com](http://www.2helpU.com), of door contact op te nemen met het Black & Decker-kantoor ter plaatse, op het adres dat in deze handleiding wordt vermeld.

Bezoek onze website [www.blackanddecker.nl](http://www.blackanddecker.nl), waar u uw nieuwe Black & Decker-product kunt registreren en informatie kunt verkrijgen over nieuwe producten en speciale aanbiedingen.

## Uso previsto

La podadora Alligator™ GKC1000L, GKC1000LB de BLACK+DECKER™ ha sido diseñada para podar las ramas de árboles y cortar ramas caídas y troncos pequeños de diámetro comprendido entre 25 y 100 mm mientras el operador se encuentra de pie en el suelo. Esta herramienta ha sido concebida únicamente para uso doméstico.

## Instrucciones de seguridad

### Advertencias de seguridad generales para herramientas eléctricas



**Advertencia. Lea todas las advertencias de seguridad y todas las instrucciones.** En caso de no atenerse a las siguientes advertencias e instrucciones de seguridad, podría producirse una descarga eléctrica, incendio o lesión grave.

**Guarde todas las advertencias e instrucciones para futuras consultas.** El término "herramienta eléctrica" empleado en las advertencias a continuación hace referencia a la herramienta eléctrica con alimentación de red (con cable) o alimentada por batería (sin cable).

#### 1. Seguridad del área de trabajo

- Mantenga limpia y bien iluminada el área de trabajo.** Las áreas en desorden u oscuras pueden provocar accidentes.
- No utilice herramientas eléctricas en entornos con peligro de explosión, como aquellos en los que haya líquidos, gases o polvos inflamables.** Las herramientas eléctricas originan chispas que pueden inflamar el polvo o los gases.
- Mantenga alejados a los niños y otras personas del área de trabajo al emplear la herramienta eléctrica.** Las distracciones pueden ocasionar que pierda el control.

#### 2. Seguridad eléctrica

- El enchufe de la herramienta eléctrica debe corresponder a la toma de corriente. No modifique nunca el enchufe de ninguna forma. No utilice ningún enchufe adaptador con las herramientas eléctricas conectadas a tierra.** Los enchufes no modificados y las tomas de corriente correspondientes reducirán el riesgo de descarga eléctrica.
- Evite que su cuerpo toque partes conectadas o puestas a tierra tales como tuberías, radiadores, cocinas y refrigeradores.** Existe un mayor riesgo de descarga eléctrica si su propio cuerpo está conectado a tierra.
- No exponga las herramientas eléctricas a la lluvia y a la humedad.** Si entra agua a una herramienta eléctrica aumentará el riesgo de descarga eléctrica.

- Cuide el cable de alimentación. No use nunca el cable para transportar, tirar de la herramienta eléctrica o desenchufarla. Mantenga el cable alejado del calor, aceite, bordes afilados y piezas en movimiento.** Los cables dañados o enredados aumentan el riesgo de descarga eléctrica.
- Al trabajar con la herramienta eléctrica en la intemperie utilice solamente cables de prolongación homologados para su uso en exteriores.** La utilización de un cable adecuado para el uso en exteriores reduce el riesgo de descarga eléctrica.
- Si la utilización de una herramienta eléctrica en un lugar húmedo es inevitable, utilice una fuente protegida con un dispositivo diferencial residual (DDR).** El uso de un dispositivo diferencial residual reduce el riesgo de descarga eléctrica.

#### 3. Seguridad personal

- Esté atento a lo que hace y emplee la herramienta eléctrica con prudencia. No maneje una herramienta eléctrica cuando esté cansado o bajo los efectos de drogas, medicamentos o alcohol.** Un momento de falta de atención cuando se manejan las herramientas eléctricas puede ocasionar lesiones personales graves.
- Utilice un equipo de protección personal. Utilice siempre protección ocular.** El uso del equipo protector como mascarillas antipolvo, calzado antideslizante, casco o protección auditiva para condiciones apropiadas reducirá las lesiones personales.
- Impida que la herramienta se ponga en marcha accidentalmente. Asegúrese de que el interruptor se encuentre en la posición de apagado antes de conectar la herramienta a la fuente de alimentación o a la batería, o de coger o transportar la herramienta.** Transportar herramientas eléctricas con el dedo puesto en el interruptor o herramientas eléctricas activadoras que tengan el interruptor encendido puede provocar accidentes.
- Retire las herramientas de ajuste o llaves fijas antes de encender la herramienta eléctrica.** Dejar una llave inglesa u otra llave puesta en una pieza en movimiento de la herramienta eléctrica puede ocasionar lesiones personales.
- Sea precavido. Mantenga un equilibrio adecuado y la estabilidad constantemente.** Esto permite un mejor control de la herramienta eléctrica en situaciones inesperadas.
- Lleve puesta una vestimenta de trabajo adecuada. No se ponga ropa suelta o joyas. Mantenga el cabello, la ropa y los guantes alejados de las piezas en movimiento.** La ropa suelta, las joyas y el pelo largo pueden quedar atrapados en las piezas en movimiento.

- g. Siempre que sea posible utilizar unos equipos de aspiración o captación de polvo, asegúrese de que estén montados y de se utilicen correctamente.** El uso de equipo de recogida de polvo puede reducir los riesgos relacionados con el polvo.
- h. Evite que la familiaridad adquirida con el uso frecuente de las herramientas le haga confiarse demasiado e ignorar las normas de seguridad de las herramientas.** Un descuido puede causar lesiones graves en una fracción de segundo.
- 4. Uso y cuidado de herramientas eléctricas**
- a. No sobrecargue la herramienta eléctrica. Use la herramienta eléctrica correcta para su trabajo.** La herramienta eléctrica correcta funcionará mejor y con mayor seguridad si se utiliza de acuerdo con sus características técnicas.
- b. No utilice la herramienta eléctrica si no se puede encender y apagar con el interruptor.** Toda herramienta eléctrica que no pueda controlarse con el interruptor es peligrosa y debe ser reparada.
- c. Desconecte el enchufe de la herramienta eléctrica de la fuente de alimentación y/o la batería antes de realizar cualquier ajuste, cambiar accesorios o guardar la herramienta.** Dichas medidas de seguridad preventivas reducen el riesgo de poner en marcha accidentalmente la herramienta eléctrica.
- d. Guarde las herramientas eléctricas fuera del alcance de los niños y no permita que la utilicen las personas no familiarizadas con su uso o con estas instrucciones.** Las herramientas eléctricas son peligrosas en manos de personas no capacitadas.
- e. Realice el mantenimiento de sus herramientas eléctricas. Controle si funcionan correctamente, sin atascarse, las partes móviles de la herramienta eléctrica, y si existen partes rotas o deterioradas que pudieran afectar al funcionamiento de la herramienta. Si la herramienta eléctrica está dañada, llévela para que sea reparada antes de utilizarla.** Se ocasionan muchos accidentes por el mal mantenimiento de las herramientas eléctricas.
- f. Mantenga las herramientas de corte limpias y afiladas.** Hay menos probabilidad de que las herramientas de cortar con bordes afilados se bloqueen, y son más fáciles de controlar.
- g. Utilice la herramienta eléctrica, los accesorios, los útiles de la herramienta, etc. de acuerdo con estas instrucciones, y tenga en cuenta las condiciones de trabajo y la tarea que va a realizar.** El uso de la herramienta eléctrica para operaciones que no sean las previstas puede ocasionar una situación peligrosa.
- h. Mantenga las empuñaduras y superficies de agarre secas, limpias y libres de aceite y grasa.** Las empuñaduras resbalosas y las superficies engrasadas impiden aferrar y controlar la herramienta en situaciones imprevistas.
- 5. Uso y cuidado de la herramienta de baterías**
- a. Recárguela solo con el cargador especificado por el fabricante.** Un cargador adecuado para un tipo de batería puede provocar riesgos de incendios al ser utilizado con otra batería.
- b. Utilice las herramientas eléctricas solamente con las baterías recomendadas.** El uso de otras baterías puede suponer un riesgo de incendio y lesiones.
- c. Cuando no utilice la batería, manténgala alejada de objetos de metal como clips para papel, monedas, llaves, clavos, tornillos y otros pequeños objetos metálicos que pueden realizar una conexión de un terminal a otro.** Si se produce un cortocircuito entre los terminales de la batería, pueden ocasionarse incendios o quemaduras.
- d. En caso de uso abusivo puede salir líquido de la batería, evite el contacto. Si se produce un contacto accidental, lave con agua. Si el líquido se pone en contacto con los ojos, acuda además a un médico.** El líquido expulsado de la batería podrá provocar irritaciones o quemaduras.
- e. No use la batería ni la herramienta si están dañadas o han sido modificadas.** Las baterías dañadas o modificadas pueden tener reacciones imprevistas y causar incendios, explosión o riesgo de lesiones.
- f. No exponga la batería o la herramienta al fuego o a temperaturas excesivas.** La exposición al fuego o a una temperatura superior a 130°C puede causar una explosión.
- g. Siga las instrucciones de carga y no cargue la batería o la herramienta fuera del rango de temperatura especificada en las instrucciones.** La carga incorrecta o fuera del rango de temperatura especificado puede dañar la batería y aumentar el riesgo de incendio.
- 6. Reparaciones**
- a. Siga las instrucciones de carga y no cargue la batería o la herramienta fuera del rango de temperatura especificada en las instrucciones.** La carga incorrecta o fuera del rango de temperatura especificado puede dañar la batería y aumentar el riesgo de incendio.
- b. Nunca repare la batería si está dañada.** La reparación de la batería puede ser efectuada únicamente por el fabricante o los proveedores de servicio autorizados.



## Advertencias de seguridad adicionales para herramientas eléctricas



**Advertencia.** Advertencias de seguridad adicionales para la podadora Alligator™.

**Advertencia.** No utilice nunca la herramienta por encima de la altura de los hombros. Colóquese siempre en una posición alejada de las ramas y los restos que caen.

**Advertencia.** No utilice esta herramienta para talar árboles.

- ◆ **Sostenga la herramienta eléctrica por las superficies de agarre aisladas cuando realice una operación en la que la herramienta de corte pueda estar en contacto con un cable oculto o con su propio cable.** El contacto con un cable conectado también electrificará las partes metálicas de la herramienta eléctrica y podría provocar una descarga eléctrica al usuario.
- ◆ **Mantenga siempre todas las partes de su cuerpo y la ropa alejadas de la cadena de la sierra.** Antes de encender la herramienta, asegúrese de que la cadena de sierra no esté en contacto con ningún objeto. Un momento de desatención durante el uso de la herramienta puede hacer que la ropa o partes del cuerpo se enreden en la cadena de la sierra. Sujete la herramienta delante de usted y preste atención a la posición de la cadena de la sierra, especialmente cuando corte ramas cerca del suelo.
- ◆ **Planifique de antemano una ruta de salida segura para evitar que le caigan encima ramas y restos. Compruebe que no haya obstáculos en la ruta de salida que puedan impedir o dificultar sus movimientos.** Recuerde que la hierba mojada y las cortezas recién cortadas son resbaladizas.
- ◆ **Tenga en cuenta la dirección en la que pueden caer las ramas.** Considere todas las condiciones que puedan influir en la dirección de caída, incluidas las siguientes:
  - ◆ La dirección de caída prevista.
  - ◆ La inclinación natural de la rama.
  - ◆ Cualquier putrefacción o estructura de rama pesadapoco comunes.
  - ◆ Árboles circundantes y obstáculos como cables aéreos.
  - ◆ La velocidad y la dirección del viento.
- ◆ **La distancia segura entre una rama que se va a podar y las personas, edificios y otros objetos debe ser como mínimo de 2.5 veces la longitud de la rama.** Cualquier persona, edificio u objeto que se encuentre a una distancia menor corre el riesgo de resultar golpeado por la rama al caer.
- ◆ **Cuando corte una rama sometida a tensión, tenga cuidado con la fuerza de retroceso.** Cuando se libera la tensión de las fibras de madera, la rama podría golpear al operador y/o poner la herramienta fuera de control.
- ◆ Cuando maneje la herramienta, utilice siempre equipo de seguridad adecuado, como botas de seguridad con suelas antideslizantes, casco, gafas de seguridad, protección para los oídos y guantes.
- ◆ Asegúrese de que haya otra persona cerca (pero a una distancia segura) en caso de accidente.
- ◆ No intente manejar la herramienta mientras se encuentre subido a un árbol o una escalera de mano o sobre otro soporte inestable.
- ◆ Mantenga un equilibrio adecuado y la estabilidad constantemente.
- ◆ Sujete la herramienta firmemente con las dos manos mientras el motor esté en marcha.
- ◆ Mantenga las asas secas, limpias y libres de aceite y grasa. Las asas con grasa o aceite son resbaladizas y pueden provocar la pérdida de control.
- ◆ No permita que la cadena en movimiento entre en contacto con ningún objeto en la punta de la barra guía.
- ◆ Mantenga la cadena de la sierra suficientemente tensa. Compruebe la tensión a intervalos periódicos con el motor parado y el cable desconectado.
- ◆ Empiece y siga cortando únicamente mientras la cadena gire a plena velocidad.
- ◆ Permanezca atento a las ramas movedizas y a otras fuerzas que pudieran cerrar un corte o caer sobre la cadena.
- ◆ Tenga sumo cuidado cuando reanude un corte iniciado anteriormente. Clave los dientes de la mordaza inferior en la madera y espere a que la cadena alcance la máxima velocidad antes de continuar con el corte.
- ◆ El uso de esta herramienta para realizar trabajos diferentes de aquéllos para los que está pensada puede resultar peligroso. Corte únicamente madera. No utilice esta herramienta para fines no previstos. Por ejemplo, no la use para cortar plástico, obras de mampostería y otros materiales de construcción que no sean madera.
- ◆ Si quedan restos atrapados en el dispositivo protector o en la herramienta, deje de utilizarla, retire la batería y elimine los restos.
- ◆ Las barras de guía y las cadenas desgastadas deben cambiarse.
- ◆ Utilice únicamente barras y cadenas de repuesto especificadas por el fabricante.

## Riesgos residuales

El uso de esta herramienta puede producir riesgos residuales adicionales no incluidos en las advertencias de seguridad adjuntas. Estos riesgos se pueden generar por un uso incorrecto, demasiado prolongado, etc.

El cumplimiento de las normas de seguridad correspondientes y el uso de dispositivos de seguridad no evitan ciertos riesgos residuales. Dichos riesgos incluyen:

- ◆ Lesiones producidas por el contacto con piezas móviles o giratorias.
- ◆ Lesiones producidas al cambiar cualquier pieza, hoja o accesorio.
- ◆ Lesiones producidas al usar una herramienta por un tiempo demasiado prolongado. Si utiliza una herramienta durante períodos de tiempo demasiado prolongados, asegúrese de realizar pausas con frecuencia.
- ◆ Deterioro auditivo.
- ◆ Riesgos para la salud producidos al respirar el polvo que se genera al usar la herramienta (por ejemplo: en los trabajos con madera, especialmente de roble, haya o tableros de densidad mediana).



Tenga cuidado con los objetos que puedan caerse



Mantenga alejadas a otras personas



No utilice escaleras de mano



A fin de garantizar un funcionamiento seguro continuo, compruebe la tensión de la cadena siguiendo el procedimiento que se describe en este manual cada 10 minutos de uso y ajústela según sea necesario para que disponga de un huelgo de 3 mm. Lubrique la cadena después de cada 10 minutos de uso.



**Advertencia.** No toque la cadena de la sierra en el punto de expulsión de las astillas



Dirección de rotación de la cadena.



Directiva 2000/14/CE sobre la potencia acústica garantizada.

### Vibración

Los valores de emisión de vibraciones declarados en el apartado de características técnicas y en la declaración de conformidad se han calculado según un método de prueba estándar proporcionado por la norma EN 60745 y podrán utilizarse para comparar una herramienta con otra. El valor de emisión de vibraciones especificado también puede utilizarse en una evaluación preliminar de la exposición.

**Advertencia.** El valor de emisión de vibraciones durante el funcionamiento real de la herramienta eléctrica puede diferir del valor declarado en función de cómo se utilice dicha herramienta. El nivel de las vibraciones puede aumentar por encima del nivel declarado.

Al evaluar la exposición a las vibraciones con el fin de determinar las medidas de seguridad que exige la directiva 2002/44/CE para proteger a las personas que utilizan periódicamente herramientas eléctricas en el entorno laboral, deberá tenerse en cuenta una estimación de la exposición a las vibraciones, las condiciones de uso reales y el modo de empleo de la herramienta, así como los pasos del ciclo operativo como, por ejemplo, el número de veces que la herramienta se apaga, el tiempo que está parada y el tiempo de activación.

### Etiquetas en la herramienta

Junto con el código de la fecha, en la herramienta aparecen los siguientes pictogramas:



**Advertencia.** Para reducir el riesgo de lesiones, el usuario debe leer el manual de instrucciones.



Evitar que la sierra quede expuesta a la lluvia y que penetren líquidos en su interior.



Utilice siempre protección ocular.



Utilice protección para los oídos en todo momento.

### Instrucciones de seguridad adicionales para baterías y cargadores (no incluidos con la GKC1000LB)

#### Baterías (no incluidas con la GKC1000LB)

- ◆ Jamás trate de abrirla por ninguna razón.
- ◆ No exponga las baterías al agua.
- ◆ No exponga la batería al calor.
- ◆ No las almacene en lugares en los que la temperatura pueda superar los 40 °C.
- ◆ Realice la carga únicamente a una temperatura ambiente de entre 10 °C y 40 °C.
- ◆ Utilice únicamente el cargador suministrado con el aparato o la herramienta para realizar la carga. La utilización de un cargador incorrecto puede producir una descarga eléctrica o el recalentamiento del conjunto de la batería.
- ◆ Cuando vaya a desechar la batería, siga las instrucciones facilitadas en la sección "Protección del medio ambiente".
- ◆ No dañe ni deforme la batería mediante perforaciones o golpes, ya que puede suponer un riesgo de incendio y de lesiones.
- ◆ No cargue baterías dañadas.

**Es posible que se produzcan fugas en las baterías en condiciones extremas. Si nota que se producen fugas en las baterías, limpie con cuidado el líquido con un paño.**

**Evite el contacto con la piel.**

**En caso de que se produzca contacto con la piel o los ojos, siga las instrucciones que se indican a continuación.**

**Advertencia.** El líquido de la batería puede provocar lesiones o daños materiales. En caso de contacto con la piel, lave la zona afectada con agua inmediatamente. Si se produce enrojecimiento, dolor o irritación, solicite atención médica. En caso de contacto con los ojos, lave la zona inmediatamente con agua limpia y solicite atención médica.

**Cargadores (no incluidos con la GKC1000LB)**

**Advertencia.** El cargador ha sido diseñado para un voltaje específico. Compruebe siempre que el voltaje de la red eléctrica corresponda al valor indicado en la placa de características.

**Advertencia.** No intente sustituir el cargador por un enchufe convencional para la red eléctrica.

- ◆ Utilice únicamente el cargador BLACK+DECKER suministrado para cargar la batería del aparato o la herramienta. Otras baterías podrían explotar y provocar lesiones y daños materiales.
- ◆ Nunca intente cargar baterías no recargables.
- ◆ Si se daña el cable de alimentación, deberá ser sustituido por el fabricante o un centro de servicios autorizado de BLACK+DECKER, para evitar riesgos.
- ◆ No exponga el cargador al agua.
- ◆ No abra el cargador.
- ◆ No aplique ningún dispositivo para medir la resistencia del cargador.
- ◆ El cargador debe colocarse en una zona bien ventilada durante la carga.

**Etiquetas del cargador (no incluido con la GKC1000LB)**

En el cargador constan los siguientes símbolos:



El cargador ha sido concebido para utilizarse únicamente en un lugar interior.



Lea el manual de instrucciones antes de usar el producto.

**Seguridad eléctrica**



El cargador presenta un aislamiento doble; por lo tanto, no se requiere conexión a tierra. Compruebe siempre que el voltaje de la red eléctrica corresponda al valor indicado en la placa de características. No intente sustituir el cargador por un enchufe convencional para la red eléctrica.

- ◆ Si se dañara el cable de alimentación, deberá ser sustituido por el fabricante o por un centro de asistencia técnica autorizado de BLACK+DECKER para evitar cualquier situación de riesgo.

**Características**

1. Mordaza superior
2. Mordaza inferior
3. Barra de guía de la cadena
4. Tapa de lubricación
5. Pestillo
6. Batería (no incluida con la GKC1000LB)
7. Interruptores ON/OFF (encendido/apagado)
8. Punto de salida de las astillas
9. Cargador (no incluido con la GKC1000LB)

**Montaje (batería y cargador no incluidos con la GKC1000LB)**

**Advertencia.** Antes de proceder al montaje, extraiga la batería (6) de la herramienta.

**Inserción y extracción de la batería (Fig. A)**

- ◆ Para insertar la batería (6), alinéela con el receptáculo de la herramienta. Deslice la batería (6) dentro del receptáculo y empújela hasta que encaje en su sitio.
- ◆ Para extraer la batería (6), pulse el botón de liberación (18) a la vez que tira de la batería (6) para extraerla del receptáculo.

**Apertura de las asas (Fig. B)**

- ◆ Para abrir las asas, deslice el seguro (5) hacia atrás y sepárelas.
- ◆ Después de utilizar la herramienta, cierre las asas y deslice el seguro (5) hacia adelante para ajustarlo en la posición de bloqueo. Las asas deben estar bloqueadas durante el transporte y almacenamiento de la herramienta.

**Ajuste de la tensión de la cadena (Fig. C)**

**Advertencia.** Antes de ajustar la tensión de la cadena o de realizar otros ajustes, asegúrese de que la herramienta está apagada y de que ha extraído la batería.

**Advertencia.** La barra guía de la cadena y la cadena de sierra pueden estar calientes después de utilizar la herramienta. Deje que se enfríen antes de hacer cualquier ajuste.

El producto ya viene montado. Sin embargo, se recomienda comprobar la tensión de la cadena de sierra (14) y los pernos de sujeción de la tapa de acceso a la cadena antes de utilizar la herramienta y realizar ajustes en caso necesario.

## Comprobación y ajuste de la tensión de la cadena de cadena (Fig. C)

Para tensar la cadena de la sierra (14), afloje los dos pernos de sujeción de la cubierta de la cadena (12) con la llave (13) y el dispositivo tensor empujará la barra guía de la cadena (3) hacia fuera y ajustará la tensión adecuada. Vuelva a apretar bien los dos pernos de sujeción (12).

Tire suavemente de la cadena de la sierra (14) para comprobar que se ha ajustado la tensión adecuada. La tensión es adecuada cuando la cadena de sierra vuelve a su posición inicial después de separarla 3 mm de la barra de guía. No debe haber "comba" alguna entre la barra guía de la cadena (3) y la cadena de sierra (14) en la parte inferior.

**Nota:** No tense demasiado la cadena de sierra, ya que provocará un desgaste excesivo y se reducirá la vida útil de la barra y de la cadena de sierra. También podría reducirse el rendimiento del producto.

**Nota:** Cuando utilice la herramienta por primera vez y cuando la cadena de sierra sea nueva, compruebe la tensión con frecuencia, ya que una cadena de sierra nueva se expande ligeramente.

## Cambio de la cadena de sierra y la barra guía de la cadena

Después de un uso prolongado, es posible que deba sustituir la cadena de sierra (14) y/o la barra guía de la cadena (3). Asegúrese de usar solamente las piezas de repuesto recomendadas por Black & Decker.

## Extracción de la cadena de la sierra y la barra guía de la cadena (Figs. C y D)



Utilice siempre guantes de protección cuando instale o retire la cadena de la sierra (8). Dicha pieza está afilada y puede provocar cortes cuando la herramienta no está en funcionamiento.

**Advertencia.** La barra guía de la cadena y la cadena de sierra pueden estar calientes después de utilizar la herramienta. Antes de cambiarlas, deje que se enfríen.

- ◆ Pose la herramienta sobre una superficie sólida.
- ◆ Haga girar los dos pernos de sujeción (12) en sentido contrario a las agujas del reloj con la llave (13) suministrada y extráigalos por completo.
- ◆ Retire la tapa de acceso a la cadena (11).
- ◆ Deslice el seguro (5) hacia la posición de desbloqueo, abra las asas y tire hacia atrás de la mordaza superior (1).
- ◆ Tire hacia atrás de la barra guía de la cadena (3) y, a continuación, levante la cadena de sierra (14) para extraerla de la ranura de la barra guía. A continuación, podrá retirar la cadena de sierra de la unidad.
- ◆ En este punto, podrá inclinar la barra guía de la cadena (3) hacia arriba para extraerla.

## Montaje de la barra guía de la cadena y la cadena de sierra (Figs. E y F)

**Advertencia.** Utilice siempre guantes de protección cuando instale o retire la cadena de la sierra. Dicha pieza está afilada y puede provocar cortes cuando la herramienta no está en funcionamiento.

- ◆ Asegúrese de realizar esta operación sobre una superficie sólida.
- ◆ Deslice el seguro (5) hacia la posición de desbloqueo, abra las asas y tire hacia atrás de la mordaza superior (1).
- ◆ Inserte la barra guía de la cadena (3) en el espacio existente entre el tensor de la cadena y alinéela con el localizador de la barra guía de la cadena. Incline la barra guía de la cadena (3) hacia abajo y asegúrese de que queda correctamente colocada.
- ◆ Coloque la cadena de sierra (14) alrededor de la parte delantera de la barra guía de la cadena (3).
- ◆ Tire hacia atrás de la barra guía de la cadena (3) y de la cadena de sierra (14), de manera que encaje en la ranura de la barra guía de la cadena (3) y, a continuación, por encima de la rueda dentada (16), procurando que los dientes queden colocados en la posición correcta de la rueda.
- ◆ Vuelva a colocar la tapa de acceso a la cadena (11) y los dos pernos de sujeción (12), y apriételos bien.
- ◆ Asegúrese de que la cadena de sierra (14) queda colocada correctamente de acuerdo con las marcas de la herramienta.

## Lubricación (Fig. G)

- ◆ Antes de utilizar la herramienta por primera vez y al cabo de diez minutos de uso, deberá lubricar el producto con el aceite para cadenas adecuado. (n.º de catálogo A6027). Abra la tapa de lubricación (4) e inserte la botella en el orificio de llenado de aceite (15); aplique presión a la botella una vez para distribuir el aceite.
- ◆ Esto debería ser suficiente para 10 minutos de corte aproximadamente, en función de la velocidad de corte y el tipo de madera.

El orificio distribuye el aceite por la cadena de sierra hacia la barra guía de la cadena (3); si se aplica una cantidad excesiva de aceite a la unidad, goteará en la parte de la mordaza. Esto es normal y no debe ser motivo de preocupación.

## Uso

### Cargar la batería (Fig. H) (no incluida con la GKC1000LB)

**Advertencia.** No cargue la batería si la temperatura ambiente es inferior a 10 °C o superior a 40 °C. La temperatura de carga recomendada es de aproximadamente 24 °C.

**Nota: El cargador no cargará la batería si la temperatura de la celda es inferior a 0 °C o superior 40 °C aproximadamente. La batería debe dejarse en el cargador y este iniciará automáticamente la carga cuando la temperatura de la celda se caliente o se enfríe.**

- ◆ Para cargar la batería (6), insértela en el cargador (9). La batería encaja en el cargador solo en un sentido. No la fuerce.
- ◆ Asegúrese de que la batería queda perfectamente encajada en el cargador (9).
- ◆ Enchufe el cargador (9) y conéctelo a la red eléctrica.
- ◆ El indicador de carga (19) parpadeará en modo continuo (lentamente).
- ◆ La carga habrá finalizado cuando el indicador de carga (19) se ilumine en verde de manera continua.
- ◆ El indicador LED pasará a parpadear en verde (estado de carga), ya que el cargador completa la carga de la batería ocasionalmente.
- ◆ El indicador de carga (19) permanecerá encendido mientras la batería esté conectada al cargador y este último esté enchufado (9).

Cargue las baterías descargadas en el plazo de 1 semana. La duración de la batería disminuirá notablemente si se guarda descargada.

### Dejar la batería en el cargador

El cargador y la batería pueden permanecer conectados durante un periodo de tiempo indefinido con el LED encendido. El cargador mantendrá la batería fresca y totalmente cargada.

### Diagnóstico del cargador

Si el cargador detecta que la batería está baja o dañada, el indicador de carga parpadeará en rojo en modo veloz.

Proceda como sigue:

- ◆ Vuelva a insertar la batería (6).
- ◆ Si el indicador de carga (19) sigue parpadearo en rojo rápidamente, utilice una batería diferente para determinar si el proceso de carga se efectúa correctamente.
- ◆ Si la batería sustituida se carga correctamente, significará que la batería original está defectuosa y que debe devolverla al centro de servicio para su reciclado.
- ◆ Si el cargador muestra la misma indicación con la batería nueva, llévelo a un centro de servicio autorizado para que lo revisen.

**Nota: puede llevar hasta 60 minutos determinar si la batería es defectuosa.**

**Si la batería está demasiado caliente o demasiado fría, el LED indicador alternará parpadeos en rojo, rápidos y lentos, con un destello en cada rango de velocidad, y se repetirá la secuencia.**

### Preparación

- ◆ Lleve a cabo una limpieza periódica de la unidad de la manera descrita en la sección de mantenimiento y preste especial atención a la limpieza del interior de la tapa de acceso a la cadena (11).
- ◆ Las mordazas inferior (2) y superior (1) están diseñadas para cerrarse cuando se suelta una de las asas o una vez cortada la rama. Si no se cierran, deje de utilizar la herramienta y extraiga la batería de la herramienta.
- ◆ Compruebe si existen restos que impiden el movimiento. Para ello, tal vez deba retirar la tapa de acceso a la cadena (11). Si el problema persiste después del montaje, lleve la unidad a un centro de servicio autorizado.

### Encendido y apagado

**Advertencia.** No intente nunca trabar o fijar un interruptor de encendido/apagado en la posición de encendido.

Por razones de seguridad, esta herramienta está equipada con un sistema de dos interruptores. Este sistema impide que la herramienta se ponga en marcha accidentalmente.

### Encendido (Fig. I)

Sujete firmemente las asas y, a continuación, apriete ambos interruptores (7) para encender la unidad.

### Apagado (Fig. I)

Suelte cualquiera de los interruptores.

**Notas:** Para poder utilizar la herramienta es necesario activar ambos interruptores.

No fuerce la herramienta; deje que haga el trabajo. Hará un trabajo mejor y más seguro a la velocidad para la que se ha diseñado. Si aplica una fuerza excesiva, se expandirá la cadena. Si la cadena de sierra (14) o la barra guía (3) se atascan:

- ◆ Apague la herramienta.
- ◆ Desconecte la batería de la herramienta.

Abra el corte con cuñas para disminuir la presión sobre la barra de guía. No intente tirar de la sierra para sacarla del corte. Inicie un corte nuevo.

### Corte de ramas (Fig. J)

Asegúrese de que no existen ordenanzas o normas municipales que prohíban o controlen el corte de ramas de árboles.

- ◆ Antes de efectuar un corte, asegúrese de que la herramienta esté funcionando a plena velocidad.
- ◆ Sujete la herramienta firmemente para evitar que rebote o se mueva hacia los lados.
- ◆ Guíe la herramienta ejerciendo una ligera presión.
- ◆ Corte siempre hacia abajo. Así evitará que la cadena de sierra (14) quede atrapada.

- ◆ Corte las ramas como se muestra en la figura I. Empiece por la punta de la rama y vaya cortándola en trozos pequeños.
- ◆ Retire la herramienta del corte mientras funciona a plena velocidad.

## Mantenimiento

Su aparato o herramienta con o sin cable de BLACK+DECKER ha sido diseñada para funcionar durante un largo período de tiempo con un mantenimiento mínimo. El funcionamiento satisfactorio y continuo depende del buen cuidado de la herramienta y de una limpieza frecuente.

**Advertencia.** Antes de realizar el mantenimiento de herramientas eléctricas con o sin cables:

- ◆ Apague y desenchufe el aparato o herramienta.
- ◆ O bien, apague y extraiga las pilas o la batería del aparato o herramienta, en caso de que disponga de una batería separada.
- ◆ O bien, deje que la batería se agote por completo si es integral y, a continuación, apague el aparato.
- ◆ Desenchufe el cargador antes de limpiarlo. El cargador no requiere ningún mantenimiento especial excepto la limpieza periódica.

Limpie periódicamente las ranuras de ventilación de la herramienta, aparato o cargador con un cepillo suave o un paño seco.

Limpie periódicamente la carcasa del motor con un paño húmedo. No utilice limpiadores abrasivos o a base de disolventes.

Abra regularmente el portabrocas y golpéelo suavemente para eliminar los restos de polvo que haya en su interior (si está colocado).

## Limpieza

- ◆ Retire periódicamente la tapa de acceso a la cadena (11) y elimine los restos acumulados.
- ◆ Limpie periódicamente las ranuras de ventilación con un cepillo limpio y seco.
- ◆ Para limpiar la herramienta, utilice únicamente jabón suave y un paño húmedo. Evite que penetre líquido en el interior de la herramienta y nunca sumerja ninguna parte de esta en líquido.

## Lubricación

- ◆ Engrase periódicamente los puntos de lubricación (15) de la manera indicada en la figura D.

## Transporte

- ◆ Transporte siempre la herramienta con las mordazas cerradas y con el seguro (5) en la posición de bloqueo.

## Afilado de la cadena de sierra

Si desea conseguir el máximo rendimiento de la herramienta, es importante que mantenga los dientes de la motosierra afilados. Las instrucciones de este procedimiento se

encuentran en el paquete del afilador. Con este fin, se recomienda adquirir el kit de afilado de la cadena de la sierra de BLACK+DECKER A6039 (disponible en los agentes de servicio y concesionarios seleccionados de BLACK+DECKER).

## Sustitución de las cadenas de la sierra desgastadas

Las tiendas minoristas y los talleres de servicio de BLACK+DECKER disponen de cadenas de sierra de repuesto. Utilice siempre piezas de repuesto originales.

## Afilado de la cadena de sierra

Los dientes de la cadena de sierra se mellarán inmediatamente si tocan el suelo o golpean un clavo durante la operación de corte.

## Tensión de la cadena de sierra

Compruebe periódicamente la tensión de la cadena.

## Qué hacer si la motosierra necesita reparación

La herramienta cumple con los requisitos de seguridad pertinentes. Solo el personal cualificado puede llevar a cabo las reparaciones, utilizando piezas de repuesto originales; en caso contrario, podría ocasionarse un considerable peligro al usuario. Le recomendamos guardar este manual de usuario en un lugar seguro.

## Almacenamiento

Si la herramienta no se va a utilizar durante varios meses, limpie los componentes metálicos con aceite. Lo ideal es dejar la batería (6) conectada al cargador.

## Realice el procedimiento siguiente:

- ◆ Cargue completamente la batería (6).
- ◆ Extraiga la batería (6) de la herramienta.
- ◆ Almacene la herramienta y la batería (6) en un lugar seguro y seco. La temperatura de almacenamiento siempre debe estar comprendida entre +5°C y +40°C. Coloque la batería (6) en una superficie nivelada.
- ◆ Antes de utilizar la herramienta después de un período de almacenamiento prolongado, vuelva a cargar completamente la batería (6).

## Protección del medioambiente



Recogida selectiva. Los productos y baterías marcadas con este símbolo no deben eliminarse con los residuos domésticos normales.

Los productos y las baterías que contienen materiales que se puedan recuperar o reciclar reducen la demanda de materias primas.

Recicle los productos eléctricos y las baterías de conformidad con las disposiciones locales. Puede obtener más información en [www.2helpU.com](http://www.2helpU.com).

El abajo firmante es el responsable de la compilación del archivo técnico y realiza esta declaración en representación de Black & Decker.



A. P. Smith  
Technical Director  
Black & Decker Europa, 210 Bath Road, Slough,  
Berkshire, SL1 3YD  
Reino Unido  
14/03/2019

## Datos técnicos

		GKC1000L H3	GKC1000LB H3
Tensión	V <sub>cc</sub>	18	18
Velocidad de la cadena (sin carga)	min <sup>-1</sup>	1.9	1.9
Diámetro de corte máximo	mm	100	100
Peso	kg	3.1	3.1

Batería		BL2018	GKC1000LB no incluido
Tensión	V <sub>cc</sub>	18	
Capacidad	Ah	2.0	
Tipo		Litio-ión	
Cargador		906349** TIPO 1	GKC1000LB no incluido
Voltaje de entrada	V <sub>ca</sub>	200-240	
Voltaje de salida	V <sub>cc</sub>	8-20	
Corriente de salida	mA	1000	
Tiempo de carga aproximado	h	2	

Nivel de presión acústica garantizado calculado según la norma EN60745:	
LpA (presión acústica) 85 dB(A), incertidumbre (K) 3 dB(A)	
LwA (potencia acústica) 95 dB(A), incertidumbre (K) 2,3 dB(A)	
LwA (potencia sonora garantizada) 97 dB(A)	

Valores totales de vibración (suma vectorial triaxial) de acuerdo con la norma EN 60745:	
Corte de madera blanda recién talada (ah) = 4,9 m/s <sup>2</sup> , incertidumbre (K) = 1.5 m/s <sup>2</sup>	

La podadera Alligator™ es objeto de solicitudes de patente y de diseño en Europa, Estados Unidos y otros países. ALLIGATOR es una marca comercial de Black & Decker Corporation.

## Garantía

Black & Decker confía en la calidad de sus productos y ofrece a sus clientes una garantía de 24 meses a partir de la fecha de compra. Esta garantía es adicional a sus derechos legales y no los menoscaba en modo alguno. La garantía es válida en los territorios de los estados miembros de la Unión Europea y del Área de Libre Comercio Europea. Para reclamar la garantía, debe efectuar la reclamación de conformidad con las Condiciones generales de Black&Decker y debe enviar el comprobante de compra al vendedor o a un agente de reparaciones autorizado.

Puede encontrar las Condiciones generales de la garantía de 2 años de Black&Decker y la ubicación de su agente de reparaciones autorizado en el sitio [www.2helpU.com](http://www.2helpU.com) o poniéndose en contacto con su oficina local de Black & Decker en la dirección que se indica en este manual.

Visite nuestro sitio web [www.blackanddecker.co.uk](http://www.blackanddecker.co.uk) y registre su nuevo producto BLACK+ DECKER para mantenerse actualizado sobre los nuevos productos y las ofertas especiales.

## Declaración de conformidad CE

### DIRECTIVA DE MÁQUINAS

### DIRECTIVA SOBRE EL RUIDO EXTERIOR



GKC1000L, GKC1000LB – Podadera Alligator™

Black & Decker declara que los productos descritos en "datos técnicos" cumplen las siguientes normas:  
EN 60745-1:2009 + A11:2010

Estos productos también cumplen con la Directiva  
2006/42/CE, 2014/30/UE y 2011/65/UE.

Para más información, póngase en contacto con Black & Decker en la siguiente dirección o consulte la parte posterior del manual.

## Utilização pretendida

A podadeira BLACK+DECKER™, GKC1000L, GKC1000LB Alligator™ foi concebida para podar os ramos de árvores, cortar ramos caídos e cortar troncos pequenos com um diâmetro de 25 mm a 100 mm, quando o operador estiver em pé sobre o solo. Esta ferramenta destina-se apenas para utilização doméstica.

## Instruções de segurança

### Avisos de segurança gerais para ferramentas eléctricas



**Atenção! Leia todos os avisos de segurança e todas as instruções.** O não cumprimento dos seguintes avisos e instruções pode resultar em choque eléctrico, incêndio e/ou graves lesões.

**Guarde todos os avisos e instruções para futura referência.** A expressão "ferramenta eléctrica" utilizada a seguir refere-se a ferramentas eléctricas com ligação à corrente eléctrica (com cabo) ou com bateria (sem fios).

#### 1. Segurança na área de trabalho

- a. **Mantenha a área de trabalho limpa e bem iluminada.** As áreas desorganizadas ou escuras são propensas a acidentes.
- b. **Não trabalhe com ferramentas eléctricas em áreas com risco de explosão, nas quais se encontrem líquidos, gases ou poeiras inflamáveis.** As ferramentas eléctricas criam faíscas que poderão inflamar estas poeiras ou vapores.
- c. **Mantenha crianças e outras pessoas afastadas durante a utilização da ferramenta eléctrica.** As distrações podem levar à perda do controlo da ferramenta.

#### 2. Segurança eléctrica

- a. **As fichas da ferramenta eléctrica devem encaixar na tomada. Nunca modifique a ficha de forma alguma. Não utilize fichas adaptadoras com ferramentas eléctricas ligadas à terra.** As fichas não modificadas e as tomadas compatíveis reduzem o risco de choque eléctrico.
- b. **Evite que o corpo entre em contacto com superfícies ligadas à terra, como tubos, radiadores, fogões e frigoríficos.** Se o seu corpo estiver "ligado" à terra, o risco de choque eléctrico é maior.
- c. **As ferramentas eléctricas não podem ser expostas a chuva nem humidade.** A entrada de água numa ferramenta eléctrica aumenta o risco de choque eléctrico.
- d. **Manuseie o cabo com cuidado. Nunca o utilize para transportar, puxar ou desligar a ferramenta eléctrica.**

**Mantenha o cabo afastado de fontes de calor, substâncias oleosas, extremidades aguçadas ou peças móveis.** Os cabos danificados ou emaranhados aumentam o risco de choque eléctrico.

- e. **Quando trabalhar com uma ferramenta eléctrica ao ar livre, utilize uma extensão adequada para esse fim.** A utilização de um cabo adequado para uso ao ar livre reduz o risco de choque eléctrico.
- f. **Se for inevitável trabalhar com uma ferramenta eléctrica num local húmido, utilize um dispositivo de corrente residual (RCD).** A utilização de um RCD reduz o risco de choque eléctrico.

#### 3. Segurança pessoal

- a. **Mantenha-se atento, observe o que está a fazer e seja prudente quando trabalhar com a ferramenta eléctrica. Não utilize uma ferramenta eléctrica quando estiver cansado ou sob o efeito de drogas, álcool ou medicamentos.** Um momento de distração durante a utilização de ferramentas eléctricas poderá resultar em ferimentos graves.
- b. **Utilize equipamento de protecção pessoal. Use sempre uma protecção ocular.** O equipamento de protecção, como, por exemplo, uma máscara contra o pó, sapatos de segurança antiderrapantes, um capacete de segurança ou uma protecção auditiva, usado nas condições apropriadas, reduz o risco de ferimentos.
- c. **Evite arranques involuntários. Certifique-se de que o botão está desligado antes de ligar a ferramenta à corrente eléctrica e/ou à bateria, e antes de levantar ou transportar a ferramenta.** Se mantiver o dedo sobre o interruptor ao transportar ferramentas eléctricas ou se as ligar à fonte de alimentação com o interruptor ligado, isso poderá dar origem a acidentes.
- d. **Retire eventuais chaves de ajuste ou chaves de fendas antes de ligar a ferramenta eléctrica.** Uma chave de fenda ou de ajuste que se encontre numa peça em rotação da ferramenta eléctrica poderá causar lesões.
- e. **Não tente chegar a pontos fora do alcance. Mantenha sempre os pés bem apoiados e um equilíbrio apropriado.** Desta forma, será mais fácil controlar a ferramenta eléctrica em situações inesperadas.
- f. **Use vestuário adequado. Não use roupa larga ou joias. Mantenha o cabelo, a roupa e as luvas afastados das peças móveis.** As roupas largas, as joias ou o cabelo comprido podem ficar presos nestas peças.
- g. **Se for prevista a montagem de dispositivos de extracção e recolha de poeiras, assegure-se de que estão ligados e que são utilizados de forma correcta.** A utilização de dispositivos de extracção de partículas pode reduzir os riscos relacionados com as mesmas.
- h. **Não permita que o facto de estar familiarizado com a utilização frequente das ferramentas o torne**



**complacente e ignore os princípios de segurança da ferramenta.** Uma acção irreflectida pode causar ferimentos numa fracção de segundos.

#### 4. Utilização e manutenção da ferramenta eléctrica

- a. **Não sobrecarregue a ferramenta eléctrica. Utilize a ferramenta eléctrica correta para o seu trabalho.** A ferramenta eléctrica adequada irá efetuar o trabalho de um modo mais eficiente e seguro se for utilizada de acordo com a capacidade para a qual foi concebida.
- b. **Não utilize a ferramenta eléctrica se o interruptor não puder ser ligado ou desligado.** Qualquer ferramenta eléctrica que não possa ser controlada através do interruptor de alimentação é perigosa e tem de ser reparada.
- c. **Desligue a ficha da tomada e/ou a bateria da ferramenta eléctrica antes de proceder a ajustes, trocar acessórios ou guardar ferramentas eléctricas.** Estas medidas de segurança preventivas reduzem o risco de ligar a ferramenta eléctrica acidentalmente.
- d. **Mantenha as ferramentas eléctricas que não estiverem a ser utilizadas fora do alcance das crianças. Não permita que a ferramenta eléctrica seja utilizada por pessoas não familiarizadas com a mesma ou que não tenham lido estas instruções.** As ferramentas eléctricas são perigosas nas mãos de pessoas que não possuem as qualificações necessárias para as manusear.
- e. **Proceda à manutenção das ferramentas eléctricas. Verifique se as partes móveis estão desalinhasadas ou bloqueadas, se existem peças partidas ou qualquer outra situação que possa afetar o funcionamento das ferramentas eléctricas. Se a ferramenta eléctrica estiver danificada, esta não deve ser utilizada até que seja reparada.** Muitos acidentes têm como principal causa ferramentas eléctricas com uma manutenção insuficiente.
- f. **Mantenha as ferramentas de corte afiadas e limpas.** As ferramentas de corte sujeitas a uma manutenção adequada, com arestas de corte afiadas, emperram com menos frequência e controlam-se com maior facilidade.
- g. **Utilize a ferramenta eléctrica, os acessórios e as peças de ferramenta, etc., de acordo com estas instruções, considerando as condições de trabalho e a tarefa a ser executada.** A utilização da ferramenta eléctrica para fins diferentes dos previstos poderá resultar em situações perigosas.
- h. **Mantenha os punhos e as pegas de fixação secos, limpos e sem qualquer óleo ou gordura.** Se tiver as mãos escorregadias e as superfícies com gordura, isso não permite um manuseamento e controlo seguros da ferramentas em situações inesperadas.

#### 5. Utilização e cuidados a ter com a ferramenta com baterias

- a. **Carregue apenas com o carregador especificado pelo fabricante.** Um carregador adequado para um tipo de bateria pode causar um incêndio se for utilizado com outra bateria.
  - b. **Utilize ferramentas eléctricas apenas com baterias específicas.** A utilização de outras baterias pode dar origem a risco de danos e incêndio.
  - c. **Quando não utilizar a bateria, mantenha-a afastada de outros objectos metálicos, tais como cliques para papel, moedas, chaves, pregos, parafusos ou outros pequenos objectos metálicos que permitam fazer a ligação de um terminal para outro.** O curto-circuito de terminais das baterias pode causar queimaduras ou incêndio.
  - d. **Em condições abusivas, pode derramar líquido da bateria, devendo evitar o contacto. Se tocar acidentalmente no líquido, lave bem com água. Se o líquido entrar em contacto com os olhos, consulte um médico.** O líquido derramado da bateria pode causar irritação ou queimaduras.
  - e. **Não utilize uma bateria ou uma ferramenta que esteja danificada ou modificada.** As baterias danificadas ou modificadas podem ter um comportamento imprevisível, podendo dar origem a um incêndio, explosão ou risco de ferimentos.
  - f. **Não exponha a bateria ou ferramenta ao fogo ou excesso de temperatura.** A exposição ou uma temperatura superior a 130 °C pode dar origem a uma explosão.
  - g. **Siga todas as instruções de carregamento e não carregue a bateria ou a ferramenta fora da gama de temperaturas especificadas nas instruções.** Se o carregamento não for efectuado correctamente ou se a temperaturas não estiverem de acordo com o limite especificado, a bateria pode ficar danificada e há um maior risco de incêndio.
- #### 6. Assistência
- a. **Siga todas as instruções de carregamento e não carregue a bateria ou a ferramenta fora da gama de temperaturas especificadas nas instruções.** Se o carregamento não for efectuado correctamente ou se a temperaturas não estiverem de acordo com o limite especificado, a bateria pode ficar danificada e há um maior risco de incêndio.
  - b. **Nunca repare baterias danificadas.** A reparação de baterias só deve ser efectuada pelo fabricante ou por fornecedor de serviços autorizado.

## Avisos de segurança adicionais para ferramentas eléctricas



**Atenção!** Avisos de segurança adicionais para a podadeira Alligator™.

**Atenção!** Nunca utilize a ferramenta acima da altura dos ombros. Desvie-se sempre da trajectória de queda de ramos e detritos.

**Atenção!** Não utilize esta ferramenta para abater árvores.

- ◆ **Segure a ferramenta eléctrica pelas superfícies de fixação quando executar uma operação em que a ferramenta de corte possa entrar em contacto com cablagem escondida ou o próprio cabo.** O contacto com um cabo “electrificado” irá igualmente expor peças metálicas do sistema “electrificado” da ferramenta e provocar um choque eléctrico no utilizador.
- ◆ **Mantenha todas as partes do corpo e vestuário sempre afastadas da corrente da serra.** Antes de ligar a ferramenta, certifique-se de que a corrente da serra não está em contacto com qualquer objecto. Um momento de distração durante a utilização da ferramenta poderá fazer com que o seu vestuário ou corpo fique preso na corrente da serra. Segure a ferramenta à sua frente e esteja atento à posição da corrente da serra, em especial quando estiver a cortar ramos junto ao chão.
- ◆ **Planeie de antemão uma saída segura para se desviar dos ramos e detritos que caem. Certifique-se de que o caminho de saída não tem quaisquer obstáculos que possam impedir ou dificultar o movimento.** Lembre-se de que a relva molhada e as cascas de árvore cortadas recentemente podem ser escorregadias.
- ◆ **Esteja atento à direcção possível de queda do ramo.** Analise todos os elementos que possam afectar a direcção da queda, incluindo:
  - ◆ A direcção pretendida da queda.
  - ◆ A inclinação natural do ramo.
  - ◆ A existência de alguma estrutura ou apodrecimento de madeira pesada.
  - ◆ As árvores e obstáculos envolventes, incluindo linhas aéreas.
  - ◆ A velocidade e direcção do vento.
- ◆ **A distância de segurança entre um ramo a cortar e as pessoas presentes, edifícios e outros objectos deve ser, no mínimo, de 2 1/2x o comprimento do ramo.** Todas as pessoas presentes, edifícios ou objectos que se encontrem dentro desta distância correm o risco de serem atingidos pela queda do ramo.
- ◆ **Quando estiver a cortar uma madeira sob tensão, esteja atento à recuperação elástica.** Quando a tensão das fibras de madeira for libertada, a madeira sob tensão pode atingir o operador e/ou provocar o descontrolo da ferramenta.
- ◆ Utilize sempre equipamento de segurança adequado, nomeadamente calçado de segurança antiderrapante, capacete de segurança, óculos de protecção, protecções auditivas e luvas quando estiver a utilizar a ferramenta.
- ◆ Certifique-se de que, em caso de acidente, existe alguém por perto (mas a uma distância de segurança).
- ◆ Não tente operar a ferramenta quando estiver em cima de uma árvore, escada ou de um apoio instável.
- ◆ Mantenha sempre os pés bem apoiados e um equilíbrio apropriado.
- ◆ Pegue na ferramenta com firmeza e com ambas as mãos quando o motor estiver ligado.
- ◆ Mantenha os punhos secos, limpos e sem qualquer óleo ou gordura. Os punhos com gorduras ou óleo são escorregadios, podendo provocar a perda de controlo.
- ◆ Não deixe a corrente em movimento entrar em contacto com nenhum outro objecto na ponta da barra de direcção.
- ◆ Mantenha a corrente de corte com a tensão adequada. Verifique a tensão regularmente, com o motor e o cabo desligados.
- ◆ Comece e execute o corte apenas quando tiver a corrente a deslocar-se na velocidade máxima.
- ◆ Preste atenção ao movimento dos ramos ou de outras forças que possam fechar um corte e exercer pressão ou cair na corrente.
- ◆ Tenha muito cuidado quando retomar um corte anterior. Coloque as pontas de ferro da garra inferior junto à madeira e deixe que a corrente atinja a velocidade máxima antes de prosseguir com o corte.
- ◆ A utilização desta ferramenta em operações diferentes daquelas para as quais foi concebida poderá originar situações perigosas. Corte apenas madeira. Não utilize esta ferramenta para fins não planeados - por exemplo - Não utilize a ferramenta para cortar plástico, pedra ou materiais de construção que não sejam de madeira.
- ◆ Se alguns detritos ficarem presos na protecção ou ferramenta, interrompa a sua utilização, remova a bateria e limpe os detritos.
- ◆ As correntes e barras de orientação de correntes gastas devem ser substituídas.
- ◆ Utilize apenas as barras e correntes de substituição indicadas pelo fabricante.

### Riscos residuais

Podem surgir riscos residuais adicionais durante a utilização da ferramenta, que poderão não constar nos avisos de segurança incluídos. Estes riscos podem resultar de má utilização, uso prolongado, etc.

Mesmo com o cumprimento dos regulamentos de segurança relevantes e a implementação de dispositivos de segurança, alguns riscos residuais não podem ser evitados. Estes incluem:

- ◆ Ferimentos causados pelo contacto com peças em rotação/movimento.
- ◆ Ferimentos causados durante a troca de peças, lâminas ou acessórios.
- ◆ Ferimentos causados pela utilização prolongada de uma ferramenta. Quando utilizar uma ferramenta durante períodos prolongados, certifique-se de que faz pausas regularmente.
- ◆ Danos auditivos.
- ◆ Problemas de saúde causados pela inalação de poeiras resultantes da utilização da ferramenta (exemplo: trabalhos em madeira, especialmente carvalho, faia e MDF).



Tenha em atenção a possibilidade de queda de objectos



Mantenha os transeuntes afastados



Não utilize quando estiver numa escada



Para garantir a segurança contínua da utilização, verifique a tensão da corrente a cada 10 minutos de utilização conforme descrito neste manual, ajustando-a conforme necessário para uma distância de 3 mm. Oleie a corrente a cada 10 minutos de utilização.



**Atenção!** Não toque na corrente no ponto de ejeção das aparas



Direcção de rotação da corrente.



A potência sonora cumpre a Directiva 2000/14/CE

## Vibração

Os valores de emissão de vibração declarados na secção de dados técnicos e na declaração de conformidade foram medidos de acordo com o método de teste padrão fornecido pela norma EN 60745 e podem ser utilizados para comparar ferramentas. O valor de emissão de vibração declarado pode ainda ser utilizado numa avaliação preliminar de exposição.

**Atenção!** O valor de emissão de vibração durante a utilização real da ferramenta eléctrica pode ser diferente do valor declarado, dependendo da forma como a ferramenta é utilizada. O nível de vibração pode aumentar acima do nível indicado.

Quando avaliar a exposição da vibração para determinar as medidas de segurança exigidas pela Directiva 2002/44/CE para proteger pessoas que utilizem regularmente ferramentas eléctricas na sua atividade profissional, deve ser considerada uma estimativa de exposição de vibração, as condições reais de utilização e o modo de utilização da ferramenta, incluindo ainda todas as partes do ciclo de funcionamento, como os períodos de inatividade e espera da ferramenta, para além do tempo de funcionamento.

## Etiquetas colocadas na ferramenta

A ferramenta apresenta os seguintes pictogramas de aviso juntamente com o código de data:



**Atenção!** Para reduzir o risco de ferimentos, o utilizador deve ler o manual de instruções.



Não utilize a serra sob condições húmidas nem a exponha à chuva.



Use sempre uma protecção ocular.



Utilize sempre protecção para os ouvidos.

## Instruções de segurança adicionais para baterias e carregadores (não incluídos no modelo GKC1000LB)

### Baterias (não incluídas no modelo GKC1000LB)

- ◆ Nunca tente abrir a bateria, seja qual for o motivo.
- ◆ Não exponha a bateria à água.
- ◆ Não exponha a bateria ao calor.
- ◆ Não armazene em locais onde a temperatura possa exceder os 40°C.
- ◆ Carregue apenas a temperaturas ambiente entre 10°C e 40°C.
- ◆ Carregue apenas com o carregador fornecido com o aparelho/ferramenta. A utilização do carregador errado pode resultar em choque eléctrico ou sobreaquecimento da bateria.
- ◆ Ao eliminar a bateria, siga as instruções indicadas na secção "Protecção do ambiente".
- ◆ Não danifique a bateria por perfuração ou impacto, pois poderá originar risco de ferimentos e incêndio.
- ◆ Não carregue baterias danificadas.

**Em condições extremas, pode ocorrer uma fuga nas baterias. Se detectar a fuga de líquido das baterias, limpe o líquido cuidadosamente com um pano. Evite o contacto com a pele. Em caso de contacto com a pele ou com os olhos, siga as instruções seguintes.**

**Atenção!** O fluido da bateria pode causar ferimentos pessoais ou danos materiais. Em caso de contacto com a pele, enxague imediatamente com água. Em caso de vermelhidão, dor ou irritação, contacte um médico. Em caso de contacto com os olhos, enxague imediatamente com água limpa e procure ajuda médica.

### Carregador (não incluído no modelo GKC1000LB)

**Atenção!** O carregador foi concebido para uma tensão específica. Verifique sempre se a tensão de alimentação corresponde à tensão indicada na placa sinalética.

**Atenção!** Nunca tente substituir a unidade do carregador por uma tomada de alimentação normal.

- ◆ Utilize o carregador BLACK+DECKER apenas para carregar a bateria do aparelho/ferramenta com o qual foi fornecido. Outras baterias podem rebentar, provocando ferimentos e danos.
- ◆ Nunca tente carregar baterias não recarregáveis.
- ◆ Se o cabo de alimentação estiver danificado, terá de ser substituído pelo fabricante ou por um centro de assistência autorizado BLACK+DECKER para evitar acidentes.
- ◆ Não exponha o carregador à água.
- ◆ Não abra o carregador.
- ◆ Não manipule o interior do carregador.
- ◆ O carregador deve ser colocado numa área com boa ventilação durante o carregamento.

### Etiquetas no carregador (não incluídas no modelo GKC1000LB)

O carregador contém os seguintes símbolos de aviso:



O carregador deverá ser utilizado apenas em espaços interiores.



Antes da utilização, leia o manual de instruções.

### Segurança elétrica



O seu carregador tem isolamento duplo. Por esse motivo, não precisa de ligação à terra. Verifique sempre se a tensão de alimentação corresponde à tensão indicada na placa sinalética. Nunca tente substituir a unidade do carregador por uma tomada de alimentação normal.

- ◆ Se o cabo de alimentação estiver danificado, terá de ser substituído pelo fabricante ou por um centro de assistência autorizado BLACK+DECKER para evitar acidentes.

### Componentes

1. Garra superior
2. Garra inferior
3. Barra de orientação de corrente

4. Cobertura para lubrificação
5. Patilha
6. Bateria (não incluída no modelo GKC1000LB)
7. Interruptores para ligar/desligar
8. Ponto de eliminação de lascas
9. Carregador (não incluído no modelo GKC1000LB)

### Conjunto (a bateria e o carregador não estão incluídos no GKC1000LB)

**Atenção!** Antes de montar, remova a bateria (6) da ferramenta.

### Colocar e remover a bateria (Fig. A)

- ◆ Para colocar a bateria (6), alinhe-a com o receptáculo na ferramenta. Faça deslizar a bateria (6) para dentro do receptáculo e puxe até que a bateria (6) se encaixe devidamente.
- ◆ Para remover a bateria (6), pressione o botão de desbloqueio (18) enquanto retira, ao mesmo tempo, a bateria (6) do receptáculo.

### Abrir as pegas (Fig. B)

- ◆ Para abrir as pegas, faça deslizar a patilha (5) para trás e afaste as pegas.
- ◆ Depois de utilizar a ferramenta, feche as pegas e faça deslizar a patilha (5) para a frente, para a posição de bloqueio. As pegas devem estar bloqueadas durante o transporte e armazenamento.

### Ajuste de tensão da corrente (Fig. C)

**Atenção!** Antes de ajustar a tensão da corrente ou fazer qualquer outro ajuste, certifique-se de que a ferramenta está desligada e a bateria foi removida.

**Atenção!** A barra de orientação da corrente e a corrente de serra podem estar quentes depois de serem utilizadas. Deixe que arrefeça antes de ajustar.

O equipamento é fornecido montado. No entanto, recomendamos que verifique a tensão da corrente de serra (14) e os parafusos de retenção da cobertura de acesso à corrente antes de a utilizar e fazer os ajustes necessários.

### Verificar e ajustar a tensão da corrente de serra (Fig. C)

Para definir a tensão da corrente de serra (14), desaparafuse ligeiramente os dois parafusos de retenção de cobertura da corrente (12) com a chave-inglesa (13) e o dispositivo de tensão da corrente irá empurrar a barra de orientação da corrente (3) para fora, estabelecendo a tensão correcta. Volte a apertar os dois parafusos de retenção (12) com firmeza. Verifique se foi estabelecida a tensão correcta, puxando ligeiramente a corrente de serra (14). A tensão é correcta quando a corrente de serra volta à sua posição após ter sido puxada em 3 mm da barra de orientação. Não deverá haver

qualquer “folga” entre a barra de direcção da corrente (3) e a correia da serra (14) no lado inferior.

**Nota:** Não aplique uma tensão excessiva na corrente de serra, pois isto pode provocar um desgaste excessivo e reduzir o tempo de duração da barra e da corrente. Também irá afectar o desempenho do produto.

**Nota:** Quando utilizar a ferramenta pela primeira vez e se a corrente de serra for nova, verifique frequentemente a tensão, pois uma corrente nova tem tendência a esticar ligeiramente.

### Substituir a corrente de serra e a barra de orientação da corrente

Após uma utilização prolongada da corrente de serra (14) e/ou a barra de orientação da corrente (3), pode ter de a(s) substituir. Certifique-se de que utiliza apenas peças sobresselentes da Black & Decker.

### Remover a corrente de serra e a barra de orientação da corrente (Fig. C & D)



Utilize sempre luvas de protecção durante a instalação ou remoção da corrente de serra (8). A corrente da serra é afiada e pode cortá-lo quando não estiver a ser utilizada.

**Atenção!** A barra de orientação da corrente e a corrente de serra podem estar quentes depois de serem utilizadas. Deixe que arrefeçam antes de as substituir.

- ◆ Coloque a ferramenta numa superfície estável.
- ◆ Rode os dois parafusos de retenção (12) no sentido inverso ao dos ponteiros do relógio com a chave-inglesa (13) incluída e retire-os totalmente.
- ◆ Retire a cobertura de acesso à corrente (11).
- ◆ Faça deslizar a patilha (5) para a posição de bloqueio, abra as pegas e puxe a garra superior para trás (1).
- ◆ Puxe a barra de orientação da corrente (3) e, em seguida, levante a corrente de serra (14) para fora do orifício na barra de orientação. A corrente de serra pode então ser retirada da unidade.
- ◆ A barra de orientação da corrente (3) pode então ser colocada num ângulo mais elevado e removida.

### Montar a barra de orientação da corrente e corrente de serra (Fig. E e F)

**Atenção!** Utilize sempre luvas de protecção durante a instalação ou remoção da corrente da serra. A corrente da serra é afiada e pode cortá-lo quando não estiver a ser utilizada.

- ◆ Certifique-se de que a operação é executada numa superfície estável.
- ◆ Faça deslizar a patilha (5) para a posição de bloqueio, abra as pegas e puxe a garra superior para trás (1).

- ◆ Introduza a barra de orientação da corrente (3) no espaço entre o tensor de corrente e alinhe-a com o localizador da barra de orientação da corrente, coloque a barra de orientação da corrente (3) num ângulo mais baixo, assegurando a sua localização correcta.
- ◆ Coloque a corrente de serra (14) à volta da parte dianteira da barra de orientação da corrente (3).
- ◆ Puxe a barra de orientação da corrente (3) e a corrente de serra (14) para trás, encaixando-a na ranhura da barra de orientação da corrente (3) e, em seguida, sobre a roda dentada (16), posicionando os dentes na posição correcta na roda dentada.
- ◆ Coloque a cobertura de acesso à corrente (11) e os dois parafusos de retenção (12) com firmeza.
- ◆ Certifique-se de que a corrente de serra (14) está colocada correctamente em relação às marcas na ferramenta.

### Lubrificação (Fig. G)

- ◆ Antes de utilizar pela primeira vez e em cada dez minutos de utilização, deve lubrificar o produto com o óleo de corrente adequado. (N.º Cat. A6027) Abra a cobertura para lubrificação (4) e introduza o frasco no orifício de enchimento de óleo (15), exercendo alguma pressão no frasco para aplicar o óleo.
- ◆ Isto será suficiente para aproximadamente 10 minutos de corte, consoante a velocidade de corte e o tipo de madeira.

O orifício deixa passar o óleo através da corrente de serra até à barra de orientação da corrente (3) e se for aplicada uma quantidade excessiva de óleo na unidade, isso pode fazer com que o óleo verta da unidade em torno da zona da garra. Isto é normal e não representa um motivo de preocupação.

### Utilização

#### Carregar a bateria (Fig. H) (não incluída no modelo GKC1000LB)

**Atenção!** Não carregue a bateria a temperaturas ambiente inferiores a 10°C ou superiores a 40°C. Temperatura de carregamento recomendada é aproximadamente de 24°C.

**Nota: O carregador não carrega a bateria se a temperatura das células for inferior a 0°C ou superior a 40 °C. A bateria não deve ser retirada do carregador para que este comece a carregar automaticamente quando a temperatura das células aquecer ou arrefecer.**

- ◆ Para carregar a bateria (6), insira-a no carregador (9). A bateria apenas pode ser colocada no carregador de uma forma. Não force o movimento de corte.
- ◆ Certifique-se de que a bateria está completamente introduzida no carregador (9).
- ◆ Ligue o carregador (9) e ligue-o à corrente.

- ◆ O indicador de carga (19) irá ficar em modo intermitente contínuo (lento).
- ◆ A carga estará concluída quando o indicador de carga (19) ficar verde de forma contínua.
- ◆ O LED irá mudar para o estado de intermitente a verde (a carregar) à medida que o carregador ocasionalmente preenche a carga da bateria.
- ◆ O indicador de carga (19) ficará aceso enquanto a bateria estiver fixa ao carregador ligado na tomada (9).

As baterias descarregadas devem ser carregadas no espaço de 1 semana. A vida útil de uma bateria diminuirá consideravelmente se for guardada sem carga.

### Deixar a bateria no carregador

O carregador e a bateria podem ser sempre deixados ligados com o LED aceso indefinidamente. O carregador mantém a bateria com energia e totalmente carregada.

### Diagnóstico do carregador

Se o aparelho detetar que a bateria está danificada, o indicador de carga continuar a piscar rapidamente a vermelho. Proceda da seguinte forma:

- ◆ Insira novamente a bateria (6).
- ◆ Se o indicador de carga (19) continuar a piscar rapidamente a vermelho, utilize uma bateria diferente para determinar se o processo de carga está a funcionar correctamente.
- ◆ Se a bateria de substituição carregar correctamente, então a bateria original está defeituosa e deve ser entregue num centro de serviço para reciclagem.
- ◆ Se a bateria nova der a mesma indicação que a bateria original, leve o carregador até um centro de assistência autorizado para ser testado.

**Nota: Determinar se a bateria está defeituosa pode demorar até 60 minutos. Se a bateria estiver demasiado quente ou fria, o LED piscará alternadamente de modo rápido e lento, piscando uma vez a cada velocidade e repetindo o processo.**

### Preparação

- ◆ Limpe regularmente a unidade, tal como descrito na secção de manutenção e limpe, em particular, o interior da cobertura de acesso à corrente (11).
- ◆ A garra inferior (2) e a garra superior (1) foram concebidas para se fecharem quando uma das pegas for libertada ou após a conclusão do corte de um pedaço de ramo. Se isto não suceder, interrompa a utilização da ferramenta e remova a bateria da ferramenta.
- ◆ Verifique se existem alguns detritos a bloquear o movimento. Para facilitar este processo, pode ser necessário remover a cobertura de acesso à corrente (11). Se, após a montagem, o problema persistir, leve a unidade a um centro de assistência autorizado.

### Ligar e desligar

**Atenção!** Nunca tente bloquear ou fixar um interruptor de ligação na posição de ligado.

Para sua segurança, esta ferramenta encontra-se equipada com um sistema de dois interruptores. Este sistema impede que a ferramenta seja ligada de forma inadvertida.

### Ligar (Fig. I)

Segure as pegas com firmeza e pressione ambos os interruptores de ligação (7) para ligar a unidade.

### Desligar (Fig. I)

Desligue um dos interruptores.

**Notas:** Deve ligar ambos os interruptores para poder utilizar o produto. Não force a ferramenta - deixe que esta execute o trabalho. O trabalho resultará melhor e mais seguro à velocidade para que foi concebida. Uma força excessiva irá esticar a corrente de serra. Se a corrente da serra (14) ou a barra de direcção (3) encravarem:

- ◆ Desligue a ferramenta.
- ◆ Desligue a bateria da ferramenta.

Abra o corte com cunhas para aliviar a tensão na barra de orientação. Não tente libertar a serra à força. Inicie um novo corte.

### Podar ramos (Fig. J)

Certifique-se de que não existem quaisquer leis ou regulamentações locais que impeçam ou regulem a poda de pernadas de árvores.

- ◆ Certifique-se de que a ferramenta está a funcionar à velocidade máxima antes de efectuar um corte.
- ◆ Segure a ferramenta com firmeza na posição de corte para evitar um eventual salto ou deslocamento lateral da ferramenta.
- ◆ Guie a ferramenta, aplicando uma ligeira pressão.
- ◆ Corte sempre de cima para baixo. Desta forma, não exerce pressão sobre a corrente de serra (14).
- ◆ Retire os ramos tal como indicado na Fig. I. Começando pela ponta do ramo, reduza o tamanho do ramo em passos lógicos, cortando secções pequenas.
- ◆ Retire a ferramenta do corte enquanto esta estiver a funcionar na velocidade máxima.

### Manutenção

O seu aparelho/ferramenta com/sem fios BLACK+DECKER foi concebido para funcionar durante muito tempo, com um mínimo de manutenção. Uma utilização continuamente satisfatória depende de uma manutenção apropriada da ferramenta e de uma limpeza regular.

**Atenção!** Antes de proceder a qualquer acção de manutenção em ferramentas eléctricas com cabo/sem fios:

- ◆ Desligue o aparelho/ferramenta e retire a respectiva ficha da tomada.

- ◆ Ou desligue e remova a bateria do aparelho/ferramenta caso o aparelho/ferramenta tenha uma bateria individual.
- ◆ Também pode deixar a bateria descarregar completamente se for integral e, em seguida, desligue-a.
- ◆ Desligue o carregador antes de o limpar. O seu carregador não necessita de manutenção para além da limpeza regular.

Limpe regularmente as aberturas de ventilação do aparelho/ferramenta/carregador com uma escova macia ou um pano seco.

Limpe regularmente o compartimento do motor com um pano húmido. Não utilize produtos de limpeza abrasivos ou à base de dissolventes.

Abra o mandril regularmente e bata no mesmo para remover qualquer vestígio de pó do seu interior (quando colocado).

### Limpeza

- ◆ Retire regularmente a cobertura de acesso à corrente (11) e remova quaisquer detritos que possam ter ficado presos.
- ◆ Limpe regularmente os encaixes de ventilação com uma escova limpa e seca.
- ◆ Para limpar a ferramenta, utilize apenas sabão neutro e um pano húmido. Nunca permita a entrada de líquidos na ferramenta e nunca mergulhe nenhuma parte da ferramenta em líquido.

### Lubrificação

- ◆ Lubrifique regularmente os pontos de lubrificação (15) tal como indicado na figura D.

### Transporte

- ◆ Transporte sempre a ferramenta com as garras fechadas e a patilha (5) na posição de bloqueio.

### Afiar a Corrente de Serra

Se pretende obter os melhores resultados desta ferramenta, é importante manter os dentes da corrente da motosserra afiados. As directrizes deste procedimento encontram-se na embalagem do amolador. Para este fim, recomendamos a compra do kit de afiador da corrente de serra A6039 da BLACK+DECKER (disponível nos representantes de assistência da BLACK+DECKER e distribuidores aprovados).

### Substituir correntes de serra gastas

As correntes de serra sobresselentes são disponibilizadas pelos revendedores ou agentes de serviço BLACK+DECKER. Utilize sempre peças sobresselentes genuínas.

### Gume da corrente da serra

As lâminas da corrente da serra ficarão imediatamente rombas se tocarem no solo ou num prego durante o corte.

### Tensão da corrente

Verifique regularmente a tensão da corrente da serra.

### O que fazer se a sua electrosera necessitar de reparação

A sua ferramenta cumpre com os requisitos de segurança aplicáveis. As reparações só deverão ser efectuadas por um profissional qualificado, utilizando peças sobresselentes originais. Caso contrário, o utilizador poderá correr sérios riscos. Recomendamos que guarde este manual do utilizador num local seguro.

### Armazenamento

Quando não for utilizar a ferramenta durante vários meses, lubrifique todos os componentes metálicos. O procedimento ideal seria deixar a bateria (6) ligada ao carregador.

### Proceda da seguinte forma:

- ◆ Carregue completamente a bateria (6).
- ◆ Remova a bateria (6) da ferramenta.
- ◆ Guarde a ferramenta e a bateria (6) num local seguro e



seco. A temperatura de armazenamento deve situar-se sempre entre +5°C e +40°C. Coloque a bateria (6) num local nivelado.

- ◆ Antes de utilizar a ferramenta após um tempo de inactividade prolongado, carregue totalmente a bateria (6) de novo.

### Proteção do ambiente



Faça uma recolha de lixo seletiva. Os produtos e baterias assinalados com este símbolo não devem ser eliminados com os resíduos domésticos comuns.

Os produtos e baterias contêm materiais que podem ser recuperados ou reciclados, reduzindo a necessidade de matérias-primas.

Recicle os produtos eléctricos e as baterias de acordo com as disposições locais. Estão disponíveis mais informações em [www.2helpU.com](http://www.2helpU.com).

### Dados técnicos

		GKC1000L H3	GKC1000LB H3
Tensão	V <sub>cc</sub>	18	18
Velocidade da corrente (sem carga)	min. <sup>-1</sup>	1,9	1,9
Diâmetro máximo de corte	mm	100	100
Peso	kg	3,1	3,1

Bateria		BL2018	GKC1000LB não incluído
Tensão	V <sub>CC</sub>	18	
Capacidade	Ah	2,0	
Tipo		lões de lítio	
Carregador		906349** TIPO 1	GKC1000LB não incluído
Tensão de entrada	V <sub>AC</sub>	200-240	
Voltagem de Saída	V <sub>CC</sub>	8-20	
Corrente de saída	mA	1000	
Tempo de carga aprox.	h	2	

A podadeira Alligator™ está sujeita a aplicações de patentes e design na Europa, nos Estados Unidos e noutros países em todo o mundo. ALLIGATOR é uma marca comercial da Black & Decker Corporation.

### Garantia

A Black & Decker confia na qualidade dos seus produtos e oferece aos clientes uma garantia de 24 meses a partir da data de compra. Esta garantia é um complemento dos seus direitos estabelecidos por lei, não os prejudicando de forma alguma. A garantia é válida nos Estados-membros da União Europeia e nos países-membros da Zona Europeia de Comércio Livre.

Para accionar a garantia, esta deve estar em conformidade com os termos e condições da Black & Decker e terá de apresentar comprovativos de compra ao vendedor ou a um agente de reparação autorizado. Os termos e condições da garantia de 2 anos da Black&Decker e a localização do agente de reparação autorizado mais próximo podem ser obtidos na Internet em [www.2helpU.com](http://www.2helpU.com) ou contactando uma filial da Black & Decker, cuja morada está indicada neste manual.

Visite o nosso Website [www.blackanddecker.co.uk](http://www.blackanddecker.co.uk) para registar o novo produto Black & Decker e manter-se atualizado relativamente a novos produtos e ofertas especiais.

Nível de pressão acústica garantido, medido de acordo com a norma EN60745:
LpA (pressão acústica) 85 dB(A), imprecisão (K) 3 dB(A) LwA (potência acústica) 95 dB(A), imprecisão (K) 2,3 dB(A) LwA (potência sonora garantida) 97 dB(A)
Valores totais de vibração (soma de vetores triaxiais) de acordo com EN 60745:
Cortar madeira de resinosas derrubada recentemente (ah)= 4,9 m/s <sup>2</sup> , imprecisão (K) = 1,5 m/s <sup>2</sup>

## Declaração de conformidade CE

### DIRECTIVA “MÁQUINAS”

### DIRECTIVA SOBRE RUÍDO EXTERIOR GKC1000L, GKC1000LB – Podadeira Alligator™

A Black & Decker declara que os produtos descritos nos “dados técnicos” estão em conformidade com:

EN 60745-1:2009 +A11:2010

Estes produtos respeitam também a Directiva 2006/42/CE, 2014/30/UE e 2011/65/UE.

Para obter mais informações, contacte a Black & Decker através do endereço seguinte ou consulte o verso do manual.

O signatário é responsável pela compilação do ficheiro técnico e efetua esta declaração em nome da Black & Decker.



A. P. Smith  
Technical Director  
Black & Decker Europe, 210 Bath Road, Slough,  
Berkshire, SL1 3YD  
Reino Unido  
14/03/2019



## Avsedd användning

Din BLACK+DECKER™, GKC1000L, GKC1000LB Alligator™ grenkap har konstruerats för arbete som användaren utför stående på marken, exempelvis kvistning, kapning av nedfallna grenar och grenar som är 25 till 100 mm i diameter. Detta verktyg är endast avsett för konsumentbruk.

## Säkerhetsinstruktioner

### Allmänna säkerhetsanvisningar för elverktyg



**Varning! Läs alla säkerhetsvarningar och instruktioner.** Fel som uppstår till följd av att varningarna och instruktionerna som listas nedan inte följts kan orsaka elstöt, brand och/eller allvarliga kroppsskador.

**Spara alla säkerhetsföreskrifter och anvisningar för framtida bruk.** Begreppet "Elverktyg" i alla varningar som listas nedan avser nätdrivna elverktyg (med nätsladd) och batteridrivna elverktyg (sladdlösa).

1. **Säkerhet på arbetsplatsen**
  - a. **Se till att arbetsområdet är rent och väl belyst.** Belamrade och mörka områden inbjuder till olyckor.
  - b. **Använd inte elverktyget i explosionsfarlig omgivning, t.ex. i närheten av brännbara vätskor, gaser eller damm.** Elverktyg skapar gnistor som kan antända damm eller ångor.
  - c. **Håll barn och åskådare på avstånd vid arbete med elverktyget.** Distractioner kan göra att du förlorar kontrollen.
2. **Elsäkerhet**
  - a. **Elverktygets stickkontakt måste passa i eluttaget. Modifiera aldrig kontakten på något sätt. Använd inga adapterkontakter tillsammans med jordade elverktyg.** Icke modifierade kontakter och passande uttag minskar risken för elektrisk stöt.
  - b. **Undvik kroppskontakt med jordade ytor, t.ex. rör, värmelement, spisar och kylskåp.** Det finns en ökad risk för elektrisk stöt om din kropp är jordansluten eller jordad.
  - c. **Utsätt inte elverktyget för regn eller våta omgivelningar.** Vatten som kommer in i ett elverktyg ökar risken för elektrisk stöt.
  - d. **Misshandla inte nätsladden. Använd aldrig sladden för att bära, dra eller koppla bort elverktyget från uttaget. Håll sladden borta från värme, olja, skarpa kanter eller rörliga delar.** Skadade eller tilltrasslade sladdar ökar risken för elektrisk stöt.
  - e. **Använd en förlängningsladd som lämpar sig för utomhusbruk när du arbetar med elverktyg utomhus.** Användning av en sladd som är lämplig för utomhusbruk minskar risken för elektriska stötar.
3. **Personlig säkerhet**
  - a. **Var uppmärksam, se på vad du gör och använd sunt omdöme när du använder elverktyget. Använd inte ett elverktyg när du är trött eller påverkad av droger, alkohol eller mediciner.** Ett ögonblicks ouppmärksamhet när du arbetar med elektriska verktyg kan leda till allvarliga personskador.
  - b. **Använd personlig skyddsutrustning. Använd alltid skyddsglasögon.** Skyddsutrustning såsom dammfilterskydd, halksäkra säkerhetsskor, skyddshjälm eller hörselskydd som används för lämpliga förhållanden minskar personskador.
  - c. **Förhindra oavsiktlig start. Kontrollera att strömbrytaren står i avstängt läge innan du ansluter verktyget till elnätet eller sätter i batteriet, samt innan du tar upp eller bär verktyget.** Att bära elektriska verktyg med fingret på strömbrytaren eller att koppla strömmen till elektriska verktyg när strömbrytaren är på leder till olyckor.
  - d. **Ta bort alla inställningsverktyg och skruvnycklar innan du startar elverktyget.** Ett verktyg eller en nyckel som har lämnats kvar på en roterande del av det elektriska verktyget kan orsaka kroppsskador.
  - e. **Sträck dig inte för mycket. Ha ordentligt fotfäste och balans hela tiden.** Detta möjliggör bättre kontroll av elverktyget i oväntade situationer.
  - f. **Bär lämpliga kläder. Bär inte lösa kläder eller smycken. Håll hår, beklädnad och handskar borta från delar i rörelse.** Lösa kläder, smycken eller långt hår kan fastna i rörliga delar.
  - g. **Om enheten har dammsugnings- och uppsamlingsutrustning, se till att den är ansluten och används på korrekt sätt.** Användning av dammuppsamling kan minska dammrelaterade risker.
  - h. **Låt inte förtrogenheten som uppstått genom regelbunden användning av verktyg låta dig bli självsäker och ignorera verktygets säkerhetsprinciper.** En oförsiktig handling kan orsaka allvarliga skador under bråkdelen av en sekund.
4. **Användning och skötsel av elverktyg**
  - a. **Överbelasta inte elverktyget. Använd rätt elverktyg för ditt arbete.** Det korrekta elverktyget gör arbetet bättre och säkrare vid den hastighet för vilket det konstruerades.
  - b. **Använd inte elverktyget om det inte kan startas och stängas av med strömbrytaren.** Ett elverktyg som inte

kan kontrolleras med strömbrytaren är farligt och måste repareras.

- c. **Dra stickproppen ur vägguttaget och/eller ta ut batteriet ur elverktyget innan inställningar görs, tillbehörs byts ut eller elverktyget ställs undan.** Sådana förebyggande säkerhetsåtgärder minskar risken att oavsiktligt starta elverktyget.
  - d. **Förvara elverktyg utom räckhåll för barn och låt inte personer som är ovana vid elverktyget eller som inte läst denna bruksanvisning använda det.** Elverktyg är farliga i händerna på ovana användare.
  - e. **Underhålla elverktyg.** Kontrollera att rörliga komponenter fungerar felfritt och inte kärvar, att komponenter inte gått sönder eller skadats och inget annat föreligger som kan påverka elverktygets funktion. Om det är skadat, se till att elverktyget blir reparerat före användning. Många olyckor orsakas av dåligt underhållna elektriska verktyg.
  - f. **Håll skärande verktyg vassa och rena.** Korrekt underhållna kapverktyg med vassa skär är mindre troliga att de fastnar och är lättare att kontrollera.
  - g. **Använd elverktyg, tillbehör, bits m.m. enligt dessa anvisningar, samtidigt som arbetsförhållandena och det arbete som ska utföras beaktas.** Användning av elverktyget för andra uppgifter än vad som avsetts kan resultera i farliga situationer.
  - h. **Håll handtagen och greppytorna torra, rena och fria från olja och fett.** Hala handtag och greppytor förhindrar säker hantering och kontroll av verktyget i oväntade situationer.
5. **Användning och skötsel av batteridrivet verktyg**
    - a. **Ladda endast med den laddare som är specificerad av tillverkaren.** En laddare som passar en batterityp kan medföra brandrisk om den används ihop med ett annat batteri.
    - b. **Använd endast de batteripaket som är speciellt avsedda för elverktyget.** Användning av andra batteripaket kan leda till personsador eller eldsvåda.
    - c. **När batteriet inte används ska du hålla det åtskilt från metallföremål som gem, mynt, nycklar, spik, skruvar och andra små metallföremål som kan orsaka kortslutning mellan batteriets poler.** Kortslutning av batteripolerna kan leda till brännskador eller eldsvåda.
    - d. **Under olämpliga förhållanden kan vätska spruta ut från batteriet.** Undvik kontakt. Vid oavsiktlig kontakt, spola med vatten. Om vätskan kommer i kontakt med ögonen, sök också läkarhjälp. Vätska som sprutar ur batteriet kan orsaka sveda och brännskador.
    - e. **Använd inte batteripaketet eller verktyg som är skadade eller modifierade.** Skadade eller modifierade batterier kan uppträda oväntat och det kan resultera i brand, explosion eller skador.

- f. **Utsätt inte batteripaketet eller verktyg för brand eller höga temperaturer.** Exponering för brand eller temperaturer över 129 °C kan orsaka en explosion.
  - g. **Följ laddningsinstruktionerna och ladda inte batteripaketet eller verktyget utanför det temperaturområde som specificeras i instruktionerna.** Felaktig laddning eller vid temperaturer utanför den specificerade området kan skada batteriet och öka risken för brand.
6. **Service**
    - g. **Följ laddningsinstruktionerna och ladda inte batteripaketet eller verktyget utanför det temperaturområde som specificeras i instruktionerna.** Felaktig laddning eller vid temperaturer utanför den specificerade området kan skada batteriet och öka risken för brand.
    - b. **Gör aldrig service på skadade batteripaket.** Service på batteripaket skall endast utföras av tillverkaren eller auktoriserad servicepersonal.

### Ytterligare säkerhetsanvisningar för elverktyg



**Varning!** Ytterligare säkerhetsanvisningar för Alligator™ grenkap.

**Varning!** Använd aldrig sågen över axelhöjd. Stå alltid själv så att du inte träffas av fallande grenar och skräp.

**Varning!** Använd inte den här sågen för att fälla träd.

- ◆ **Håll elverktyget i de isolerade greppen när arbete utförs där sågverktyget kan komma i kontakt med dolda elledningar eller med sin egen sladd.** Vid kontakt med en strömförande ledning kommer verktygets metalldelar också att bli strömförande och ger användaren en elektrisk stöt.
- ◆ **Håll alltid alla kroppsdelar och alla kläder ur vägen för sågkedjan.** Se till att kedjan inte vidrör något innan du startar sågen. Bara ett ögonblicks ouppmärksamhet när du använder verktyget kan leda till att kläder eller delar av kroppen kommer i kontakt med kedjan. Håll sågen framför dig och ge noga akt på sågkedjans läge särskilt när du kapar grenar nära marken.
- ◆ **Förbered säker väg bort från fallande grenar och skräp. Se till att vägen är fri från hinder som kan begränsa dina rörelser.** Tänk på att vått gräs och nyskalad bark är halt.
- ◆ **Var medveten om i vilken riktning grenar kan falla.** Ta hänsyn till alla förhållanden som kan påverka fallriktningen, bland annat:
  - ◆ Den tänkta fallriktningen.
  - ◆ Grenens naturliga lutning.
  - ◆ Alla ovanligt kraftiga eller murkna grenar.

- ◆ Kringstående träd och hinder, bland annat luftledning.
- ◆ Vindhastighet och -riktning.
- ◆ **Säkerhetsavståndet mellan grenar som faller ned och personer som står nära, byggnader och andra föremål är minst 2 1/2 gånger längden på grenen.** Alla personer, byggnader och föremål inom detta avstånd löper risk att träffas av den fallande grenen.
- ◆ **Var uppmärksam på att en spänd gren som sågas av kan fjädra tillbaka.** När spänningen i träfibren upphör kan den spända grenen träffa den som sågar och/eller slå sågen ur händerna.
- ◆ Bär alltid lämplig skyddsutrustning, till exempel halksäkra säkerhetsskor, skyddshjälm, skyddsglasögon, hörselskydd och handskar, när du använder sågen.
- ◆ Se till att ha någon i närheten (på säkert avstånd) i händelse av olycka.
- ◆ Använd inte sågen uppe i ett träd, när du står på en stega eller på något annat ostadigt underlag.
- ◆ Ha ordentligt fötfäste och balans hela tiden.
- ◆ Håll sågen stadigt med båda händerna när motorn är i gång.
- ◆ Håll handtagen torra, rena och fria från olja och fett. Oljiga handtag är hala och gör sågen okontrollerbar.
- ◆ Låt inte den löpande kedjan komma emot något föremål vid spetsen av svärdet.
- ◆ Håll kedjan korrekt spänd. Kontrollera spänningen regelbundet med motorn avstängd och sladden utdragen.
- ◆ Börja och fortsätt såga bara när kedjan går med full fart.
- ◆ Se upp för korsande grenar eller annat som kan stoppa sågningen och nypa fast eller falla ned på kedjan.
- ◆ Var ytterst försiktig när du fortsätter en tidigare påbörjad sågning. Använd taggarna på sågens underkäve vid sågning i trä och låt kedjan få full fart innan du fortsätter att såga.
- ◆ Användning av sågen för andra än avsedda ändamål kan leda till riskfyllda situationer. Såga endast i trä. Använd inte sågen för sådant som den inte är avsedd för, till exempel sågning i plast, murverk eller byggnadsmaterial som inte är av trä.
- ◆ Om något skräp fastnar på skyddet eller själva verktyget ska du stanna verktyget, ta ur batteriet och ta bort skräpet.
- ◆ Nötta kedjor och svärd bör bytas ut.
- ◆ Använd bara sådana utbytessvärd och -kedjor som tillverkaren anger.

### Återstående risker

Ytterligare risker som inte finns med i de bifogade säkerhetsanvisningarna kan uppstå när verktyget används. Dessa risker kan uppstå vid felaktig eller långvarig användning, etc.

Även om alla relevanta säkerhetsanvisningar följs och säkerhetsanordningar används kan vissa ytterligare risker inte undvikas. Dessa omfattar:

- ◆ Skador orsakade av att roterande/rörliga delar vidrörs.
- ◆ Skador som uppstår vid byte av delar, blad eller tillbehör.
- ◆ Skador som orsakas av långvarig användning av ett verktyg. Se till att regelbundet ta vilopauser när du använder ett verktyg under en längre period.
- ◆ Hörselnedsättning.
- ◆ Hälsorisker orsakade av inandning av damm när redskapet används (exempel: arbete med trä, särskilt ek, bok och MDF)

### Vibrationer

De vibrationsvärden som anges i avsnitten Tekniska data och deklarationen om överensstämmelse har uppmätts i enlighet med en standardtestmetod föreskriven i EN 60745 och kan användas för jämförelse med andra verktyg. Det angivna vibrationsvärdet kan även användas för en preliminär bedömning av exponeringen.

**Varning!** Vibrationsvärdet under faktisk användning av elverktyget kan skilja sig från det uppgivna värdet beroende på hur verktyget används. Vibrationsnivån kan överstiga den uppgivna nivån.

Vid uppskattningar av exponering för vibrationer i syfte att bedöma vilka säkerhetsåtgärder som är nödvändiga enligt 2002/44/EG för att skydda personer som regelbundet använder elverktyg i arbetet ska man utgå från de faktiska omständigheter under vilka elverktyget används och sättet på vilket det används. Bedömningen ska även ta hänsyn till alla moment i arbetscykeln, t.ex. när verktyget är avstängt och när det går på tomgång såväl som när det faktiskt används.

### Etiketter på verktyget

Följande varningssymboler finns på verktyget, tillsammans med datumkoden:



**Varning!** Läs bruksanvisningen före användning för att minska risken för personskador.



Använd inte sågen i väta och utsätt den inte för regn.



Använd alltid skyddsglasögon.



Bär alltid hörselskydd.



Se upp för fallande föremål



Håll åskådare borta



Använd inte sågen när du står på en steg



Kontrollera var tionde minut att kedjan är ordentligt spänd (se anvisningarna i denna bruksanvisning) och justera den inom en marginal på tre mm efter behov. Smörj kedjan var 10:e minut vid användning.



**Varning!** Rör inte kedjan vid spånutkastet



Kedjans rotationsriktning.



Garanterad ljudnivå enligt direktiv 2000/14/EG

## Ytterligare säkerhetsinstruktioner för batterier och laddare (medföljer inte med GKC1000LB)

### Batterier (medföljer inte GKC1000LB)

- ◆ Försök aldrig öppna batteriet.
- ◆ Utsätt inte batteriet för vatten.
- ◆ Utsätt inte batteriet för värme.
- ◆ Förvara inte på platser där temperaturen kan bli högre än 40°C.
- ◆ Ladda endast vid temperaturer mellan 10°C och 40°C.
- ◆ Ladda endast med hjälp av laddaren som medföljer apparaten/verkytet. Användning av fel laddare kan resultera i en elektrisk stöt eller att batteriet överhettas.
- ◆ Följ instruktionerna som anges i avsnittet "Miljö" när du kastar batterierna.
- ◆ Skydda batteripaketet från skador/deformationer i form av slag och stötar eftersom det kan leda till personskador eller eldsvåda.
- ◆ Ladda inte skadade batterier.

**Under extrema förhållanden kan batterierna läcka. Om det finns vätska på batterierna ska du torka bort vätskan försiktigt med hjälp av en trasa. Undvik hudkontakt. Följ instruktionerna nedan vid kontakt med hud eller ögon.**

**Varning! Batterivätskan kan orsaka person- eller materialskador. Vid hudkontakt, skölj genast med vatten. Vid rodnader, smärta eller irritation ska läkare uppsökas. Vid kontakt med ögon, skölj genast med rent vatten och uppsök läkare.**

### Laddare (medföljer inte GKC1000LB)

**Varning! Laddaren är avsedd för en viss spänning. Kontrollera alltid att nätspänningen överensstämmer med spänningen på typskylten.**

### Varning! Försök aldrig byta ut laddaren mot en vanlig nätkontakt.

- ◆ Använd endast laddaren från BLACK+DECKER för att ladda batteriet i apparaten/verkytet som den levererades med. Andra batterier kan spricka och orsaka personskador och andra skador.
- ◆ Försök aldrig ladda batterier som inte är uppladdningsbara.
- ◆ Om nätsladden är skadad måste den bytas ut av tillverkaren eller ett auktoriserat BLACK+DECKER servicecenter för att undvika farliga situationer.
- ◆ Utsätt inte laddaren för vatten.
- ◆ Öppna inte laddaren.
- ◆ Gör ingen åverkan på laddaren.
- ◆ Batteriladdaren ska placeras på en plats med god ventilation vid laddning.

### Etiketter på laddare (medföljer inte GKC1000LB)

Följande symboler finns på laddaren:



Laddaren är endast avsedd för inomhusbruk.



Läs bruksanvisningen före användning.

### Elsäkerhet



Eftersom laddaren är dubbelisolerad behövs ingen jordledare. Kontrollera alltid att nätspänningen överensstämmer med spänningen på typskylten. Försök aldrig byta ut laddaren mot en vanlig nätkontakt.

- ◆ Om nätsladden är skadad måste den bytas ut av tillverkaren eller en auktoriserad BLACK+DECKER-verkstad för att undvika farliga situationer.

### Funktioner

1. Överkäke
2. Underkäke
3. Kedjesvård
4. Öllock
5. Spärrhake
6. Batteri (medföljer inte GKC1000LB)
7. Strömbrytare
8. Spånutkastningspunkt
9. Laddare (medföljer inte GKC1000LB)

### Montering (batteri och laddare medföljer inte GKC1000LB)

**Varning!** Ta ur batteriet (6) innan du sätter ihop verkytet.

### Montera och ta bort batteriet (bild A)

- ◆ Sätt in batteriet (6) genom att placera det i linje med kontakten på verkytet. Skjut in batteriet (6) på dess plats och tryck tills batteriet (6) snäpper på plats.

- ◆ Ta ur batteriet (6) genom att trycka på låsknappen (18) samtidigt som du drar ut batteriet (6) från dess plats.

### Öppna handtagen (bild B)

- ◆ Öppna handtagen genom att skjuta spärrhaken (5) bakåt och dra isär handtagen.
- ◆ Efter användning stänger du handtagen och skjuter fram spärrhaken (5) så att handtagen låses fast. Handtagen bör vara låsta under transport och förvaring.

### Justering av kedjespänning (bild C)

**Varning!** Se till att verktyget är avstängt och batteriet är borttaget innan kedjespänningen eller något annat justeras.

**Varning!** Kedjesvärdet och själva kedjan kan vara varma efter användning. Låt svalna innan du gör några justeringar. Produkten levereras färdigmonterat. Vi rekommenderar emellertid att du före användning kontrollerar om kedjans (14) spänning och kvarhållningsskruvarna på kedjehöjlet behöver justeras.

### Kontroll och justering av kedjespänning (bild C)

Lossa de två kvarhållningsskruvarna (12) med nyckeln (13) när kedjan (14) ska spännas, så skjuter kedjesträckaren ut svärdet och rätt spänning ställs in. Skruva sedan åt de båda fasthållande skruvarna (12) ordentligt.

Kontrollera att den rätta spänningen har ställts in genom att dra lätt i kedjan (14). Kedjan är rätt spänd när den snäpper tillbaka efter att ha dragits ut 3 mm från svärdet. Det skall inte vara något "nedhäng" mellan kedjesvärdet (3) sågkedjan (14) på undersidan.

**Notera:** Spänn inte kedjan för hårt eftersom det ger ökad förlitning och minskar svärdets och kedjans livslängd. Det minskar också sågens prestanda.

**Notera:** Kontrollera kedjespänningen ofta när sågen används första gången och när kedjan är ny, eftersom en ny kedja sträcks något.

### Byte av kedja och svärd

Efter långvarig användning kan kedjan (14) och/eller kedjesvärdet (3) behöva bytas ut. Se till att endast använda reservdelar som Black & Decker rekommenderar.

### Ta bort sågkedjan och svärdet (bild C och D)



Använd alltid skyddshandskar när sågkedjan (8) läggs på eller tas bort. Kedjan är vass och du kan skära dig även när den inte är i rörelse.

**Varning!** Kedjesvärdet och själva kedjan kan vara varma efter användning. Låt dem svalna innan de byts.

- ◆ Lägg sågen på ett stabilt underlag.
- ◆ Vrid de två retensionsmuttrarna (12) motsols med den bifogade nyckeln (13) och ta bort dem helt.
- ◆ Ta bort kedjehöjlet (11).

- ◆ Skjut spärrhaken (5) till öppet läge, öppna handtagen och dra tillbaka överkåken (1).
- ◆ Dra tillbaka svärdet (3) och lyft sedan ut kedjan (14) ur spåret på svärdet. Kedjan kan sedan tas bort från enheten.
- ◆ Svärdet (3) kan därefter vinklas upp och tas bort.

### Montering av svärd och kedja (bild E och F)

**Varning!** Använd alltid skyddshandskar när sågkedjan monteras eller tas bort. Kedjan är vass och du kan skära dig även när den inte är i rörelse.

- ◆ Se till att arbeta på ett stabilt underlag.
- ◆ Skjut spärrhaken (5) till öppet läge, öppna handtagen och dra tillbaka överkåken (1).
- ◆ Sätt in svärdet (3) i utrymmet mellan kedjesträckaren och placera det i linje med svärdets styransordning och vinkla ner svärdet (3) så att det hamnar i rätt position.
- ◆ Placera kedjan (14) runt främre änden på kedjesvärdet (3).
- ◆ Dra tillbaka svärdet (3) med kedjan (14) och för in kedjan i spåret på svärdet (3) och sedan över kedjekransen (16) och passa in kuggarna rätt på kransen.
- ◆ Sätt tillbaka kedjehöjlet (11) och retensionsmuttrarna (12) och dra åt dem ordentligt.
- ◆ Se till att kedjan (14) är korrekt monterad i enlighet med markeringarna på verktyget.

### Smörjning (bild G)

- ◆ Kedjan måste smörjas med rätt kedjesmörjolja före första användning och var 10:e minut under användning. (Kat. nr A6027) Öppna oljelocket (4) och stoppa in flaskan i oljepåfyllningshålet (15). Tryck på flaskan en gång för att portionera ut olja.
- ◆ Den bör räcka för omkring 10 minuters sågning beroende på såghastighet och typ av trä.

Genom hålet fördelas oljan över kedjan och svärdet (3). Allt för mycket olja kan göra att det droppar olja från enheten runt käkarna. Detta är normalt och ingenting att oroa sig för.

### Användning

#### Laddning av batteriet (bild H) (medföljer inte GKC1000LB)

**Varning!** Ladda inte batteriet om temperaturen i luften är lägre än 10 °C eller högre än 40 °C. Den rekommenderade laddningstemperaturen är cirka 24 °C.

**Notera: Laddaren kommer inte att ladda ett batteripaket om celltemperaturen är under ungefär 0 °C eller över 40 °C. Batteriet skall lämnas i laddaren och laddaren kommer att påbörja laddningen automatiskt när celltemperaturen värmts upp eller kylts ned.**

- ◆ Vid laddning av batteriet (6) sätter du det i laddaren (9). Batteriet kan bara placeras i laddaren på ett sätt. Tvinga inte.
- ◆ Se till att batteriet sitter ordentligt i laddaren (9).
- ◆ Anslut laddaren (9) till vägguttaget.
- ◆ Laddningsindikatorn (19) börjar blinka regelbundet (långsamt).
- ◆ När batteriet är laddat lyser laddningsindikatorn (19) med ett grönt fast sken.
- ◆ Indikatorn kommer emellanåt att börja blinka grönt (laddningsläge) eftersom laddaren då och då fyller på batteriets laddning.
- ◆ Laddningsindikatorn (19) kommer att lysa så länge som batteripaketet är anslutet till kontakten i laddaren (9).

Ladda urladdade batterier inom 1 vecka. Batterilivslängden kommer att komma att minska betydligt om den förvaras urladdad.

### Lämna batteriet i laddaren

Laddaren och batteripaketet kan vara anslutna hur länge som helst när LED lyser. Laddaren kommer att hålla batteripaketet fräscht och fulladdat.

### Laddardiagnostik

Om apparaten upptäcker ett skadat batteri kommer laddningsindikatorn att blinka rött snabbt. Fortsätt enligt följande:

- ◆ Sätt i batteriet (6) igen.
- ◆ Om laddningsindikatorn (19) fortsätter att blinka rött snabbt kan du använda ett annat batteri för att kontrollera om laddningsprocessen fungerar som den ska.
- ◆ Om det utbytta batteriet kan laddas utan problem är det gamla batteriet defekt och bör lämnas till ett servicecenter för återvinning.
- ◆ Om problemet kvarstår med det nya batteriet bör du ta med laddaren till ett auktoriserat servicecenter.

**Notera: Det kan ta upp till 60 minuter att avgöra om batteriet är defekt.**

**Om batteriet är för varmt eller för kallt blinkar indikatorn rött omväxlande snabbt och långsamt med en blinkning i varje hastighet.**

### Förberedelse

- ◆ Rengör sågen regelbundet enligt anvisningarna i avsnittet om underhåll och rengör särskilt insidan av kedjehöjlet (11).
- ◆ Underkäken (2) och överkäken (1) stängs när något av handtagen släpps eller när en gren har sågats av. Sluta använda sågen om de inte stängs, och ta ur batteriet från verktyget.
- ◆ Kontrollera om det är något skräp som hindrar stängningen. För att göra detta kan det bli nödvändigt att

ta bort kedjehöjlet (11). Lämna sågen till en auktoriserad verkstad om problemet kvarstår efter hopsättningen.

### Slå på och stänga av

**Varning!** Försök aldrig låsa eller fixera strömbrytaren i läge på.

Verktyget är för din säkerhet utrustad med dubbla strömbrytare. Detta system förhindrar att verktyget startas av misstag.

### Slå på (bild I)

Se till att du har ett stadigt grepp om handtagen och krama sedan båda strömbrytarna (7) för att starta verktyget.

### Stänga av (bild I)

Släpp någon av strömbrytarna.

**Notera:** Båda strömbrytarna måste vara aktiverade för att sågen ska kunna användas.

Tvinga inte sågen – låt den göra jobbet. Arbetet görs bättre och säkrare i den hastighet som sågen är konstruerad för. Vid för hårt tryck sträcks kedjan.

Om kedjan (14) eller svärdet (3) skulle fastna:

- ◆ Stäng av verktyget.
- ◆ Ta ut batteriet ur verktyget.

Öppna sågspåret med kilar för att minska trycket på svärdet. Försök inte vrida loss sågen. Säg upp ett nytt spår.

### Kvistning (bild J)

Kontrollera att det inte finns några lokala förordningar eller bestämmelser som förbjuder eller styr kvistning av träd.

- ◆ Se till att sågen har full fart innan du börjar såga.
- ◆ Håll sågen stadigt för att undvika att den gör kast eller flyttar sig åt sidan.
- ◆ Styr sågen med bara ett lätt tryck.
- ◆ Börja alltid såga uppifrån. Då undviker du att sågkedjan (14) kläms.
- ◆ Såga av grenar så som visas i bild I. Börja från grenens topp och kapa den i lagom långa bitar.
- ◆ Lyft sågen från den avsågade grenen medan den går med högsta fart.

### Underhåll

Din kabelanslutna/sladdlösa BLACK+DECKER-apparat/verktyg är konstruerad för att fungera en lång tid med minsta möjliga underhåll. Kontinuerlig tillfredsställande drift beror på ordentlig verktygsvård och regelbunden rengöring.

**Varning!** Innan något underhåll utförs på sladdanslutna/sladdlösa elverktyg:

- ◆ Stäng av apparaten/verktyget och dra ur nätkontakten.
- ◆ Du kan också ta ut batteriet ur redskapet om redskapet har ett separat batteri.
- ◆ Om batteriet är inbyggt låter du det laddas ur helt innan avstängningen.

- ◆ Dra ur sladden till laddaren innan du rengör den. Laddaren behöver inget annat underhåll än regelbunden rengöring. Rengör regelbundet redskapets/verktygets/laddarens luftintag med en mjuk borste eller torr trasa. Rengör motorhöljet regelbundet med en fuktig trasa. Använd aldrig något slipande eller lösningsmedelsbaserat rengöringsmedel. Öppna chucken (där sådan finns) med jämna mellanrum och knacka på den för att avlägsna damm som sitter på insidan.

### Rengöring

- ◆ Ta regelbundet bort kedjehöljet (11) och avlägsna allt skräp som har fastnat.
- ◆ Rengör regelbundet ventilationsöppningarna med en ren och torr målarborste.
- ◆ Använd bara mild tvål och en fuktig trasa för att rengöra sågen. Låt aldrig någon vätska komma in i verktyget och doppa det aldrig i någon vätska.

### Smörjning

- ◆ Smörj regelbundet smörjpunkterna (15) som visas i bild D.

### Transport

- ◆ Transportera alltid sågen med kåkarna stängda och spärrhaken (5) i låst läge.

### Slipning av kedjan

För att verktyget skall fungera så bra som möjligt är det viktigt att hålla sågtänderna vassa. Anvisningar återfinns på slipens förpackning. Vi rekommenderar att du köper BLACK+DECKER slipsats för kedjesågar med kat.nr A6039 (finns att köpa hos auktoriserade Black & Decker-verkstäder och utvalda återförsäljare).

### Byte av utslitna sågkedjor

Utbyteskedjor finns hos återförsäljare och BLACK+DECKER-verkstäder. Använd alltid originaldelar.

### Kedjans skärpa

Sågtänderna blir genast slöa om de kommer i kontakt med marken eller en spik under sågning.

### Kedjespänning

Kontrollera kedjespänningen regelbundet.

### Om kedjesågen behöver repareras

Din kedjesåg uppfyller alla relevanta säkerhetskrav. Reparationer skall utföras av kvalificerade personer som använder originaldelar, annars kan användaren utsättas för stor fara. Behåll den här bruksanvisningen och förvara den så att den inte kommer bort.

### Förvaring

Torka av alla metalldelar med olja när sågen inte ska användas under längre tid (månader). Det är bäst om batteriet (6) får vara anslutet till laddaren.

### Gör så här:

- ◆ Ladda batteriet fullt (6).
- ◆ Ta ur batteriet (6) från verktyget.
- ◆ Förvara verktyget och batteriet (6) på ett säkert och torrt ställe. Temperaturen i förvaringsutrymmet måste alltid ligga mellan +5 °C och +40 °C. Placera batteriet (6) på en plan yta.
- ◆ Ladda batteriet (6) fullt innan du använder verktyget efter att det legat oanvänt under en längre tid.

### Skydda miljön



Separat insamling. Produkter och batterier markerade med denna symbol får inte kastas i de vanliga hushållssoporna.

Produkterna och batterierna innehåller material som kan återvinnas eller återanvändas, vilket sänker behovet av råmaterial.

Återvinn elektriska produkter och batterier enligt lokala bestämmelser. Närmare information finns tillgänglig på [www.2helpU.com](http://www.2helpU.com).

### Tekniska data

		GKC1000L H3	GKC1000LB H3
Spänning	V <sub>DC</sub>	18	18
Kedjehastighet (utan belastning)	min <sup>-1</sup>	1.9	1.9
Maxdiameter för sågning	mm	100	100
Vikt	kg	3,1	3,1

Batteri		BL2018	GKC1000LB medföljer inte
Spänning	V <sub>DC</sub>	18	
Kapacitet	Ah	2.0	
Typ		Li-jon	
Laddare		906349** TYP 1	GKC1000LB medföljer inte
Inspänning	V <sub>AC</sub>	200-240	
Utspänning	V <sub>DC</sub>	8-20	
Utström	mA	1000	
Laddningstid cirka	h	2	

#### Garanterad ljudnivå, uppmätt enligt EN60745:

LpA (ljudtryck) 85 dB(A), osäkerhet (K) 3 dB(A)  
LwA (ljudtryck) 95 dB(A), osäkerhet (K) 2,3 dB(A)  
LwA (garanterad ljudnivå) 97 dB(A)

Totala vibrationsvärden (vektorsumman av tre axlar) enligt EN 60745:
--

Sågning i mjukt, färskt trä (ah) = 4,9 m/s <sup>2</sup> , osäkerhet (K) = 1,5 m/s <sup>2</sup>
--

## EG-försäkran om överensstämmelse

MASKINDIREKTIVET

BULLERFÖRESKRIFTER, UTOMHUS



GKC1000L, GKC1000LB – Alligator™ grenkap

Black & Decker försäkrar att dessa produkter, beskrivna under "tekniska data" uppfyller:  
EN 60745-1:2009 + A11:2010

De här produkterna överensstämmer även med direktiven 2006/42/EG, 2014/30/EU och 2011/65/EU.

För ytterligare information kontakta Black & Decker på följande adress, eller se handbokens baksida.

Undertecknad är ansvarig för sammanställningen av tekniska data och gör denna försäkran för Black & Deckers räkning.

A. P. Smith  
Technical Director  
Black & Decker Europe, 210 Bath Road, Slough,  
Berkshire, SL1 3YD  
Storbritannien  
14/03/2019

Alligator™ grenkap är patent- och mönsterskyddad i Europa, USA och andra länder runt om i världen. ALLIGATOR är ett registrerat varumärke tillhörande Black & Decker Corporation.

## Garanti

Black & Decker är säker på kvaliteten hos denna produkt och erbjuder kunder 24 månaders garanti från datumet för inköpet. Garantin gäller utöver konsumentens rättigheter enligt lag och påverkar inte dessa. Garantin är giltig i de områden som tillhör medlemsstaterna i Europeiska unionen och det europeiska frihandelsområdet.

För yrkande under garantin måste yrkandet vara i enlighet med Black & Deckers villkor och du kommer att behöva skicka in bevis på köpet till försäljaren eller en auktoriserad reparatör. Villkoren för Black&Deckers tvååriga garanti och var du hittar din närmaste auktoriserade reparatör kan erhållas på internet på [www.2helpU.com](http://www.2helpU.com), eller genom att kontakta ditt

lokal Black & Decker kontor på adressen som angetts i denna bruksanvisning.

Besök vår webbplats [www.blackanddecker.se](http://www.blackanddecker.se) för att registrera din nya Black & Decker-produkt samt för att få information om nya produkter och specialerbjudanden.



## Tiltenkt bruk

Din BLACK+DECKER™, GKC1000L, GKC1000LB Alligator™ kutteren er utformet for å beskjære grenene på trær, dele opp felte grener og dele opp små kubber på 25 mm til 100 mm i diameter mens operatøren står på bakken. Dette verktøyet er bare ment som et forbrukerverktøy.

## Sikkerhetsinstruksjoner

### Generelle sikkerhetsadvarsler for elektroverktøy



**Advarsel! Les alle sikkerhetsadvarsler og alle instruksjoner.** Hvis advarslene og anvisningene nedenfor ikke overholdes, kan det medføre elektrisk støt, brann og/eller alvorlige personskader.

**Ta vare på alle advarsler og instruksjoner for fremtidig bruk.** Uttrykket "elektroverktøy" i alle advarslene nedenfor gjelder for strømdrevne elektroverktøy (med ledning) og batteridrevne elektroverktøy (uten ledning).

#### 1. Sikkerhet i arbeidsområdet

- Hold arbeidsområdet rent og godt opplyst.** Rotete eller mørke områder er en invitasjon til ulykker.
- Ikke arbeid med elektroverktøy i eksplosjonsfarlige omgivelser, for eksempel der det befinner seg brennbare væsker, gass eller støv.** Elektrisk verktøy skaper gnister som kan antenne støv eller gasser.
- Hold barn og andre personer unna når du bruker et elektroverktøy.** Distraksjoner kan føre til at du mister kontrollen.

#### 2. Elektrisk sikkerhet

- Støpselet til verktøyet må passe til stikkkontakten. Aldri modifier støpselet på noen måte. Ikke bruk adapterstøpsler til jordede elektriske verktøy.** Umodifiserte støpsler og stikkontakter som passer vil redusere risikoen for elektrisk sjokk.
- Unngå kroppskontakt med jordede overflater som rør, radiatorer, komfyrer og kjøleskap.** Det er økt risiko for elektrisk støt dersom kroppen din er jordet.
- Ikke utsett elektroverktøy for regn eller fuktighet.** Dersom det kommer vann inn i et elektrisk verktøy vil det øke risikoen for elektrisk sjokk.
- Unngå uforsvarlig behandling av ledningen. Aldri bruk ledningen til å bære, trekke eller dra ut støpselet til det elektriske verktøyet. Hold ledningen borte fra varme, olje, skarpe kanter eller bevegelige deler.** Skadede eller innviklede ledninger øker risikoen for elektrisk sjokk.
- Når du bruker et elektroverktøy utendørs, må du bruke en skjøtleledning som er egnet til utendørs bruk.** Bruk

av en skjøtleledning beregnet for utendørs bruk reduserer risikoen for elektrisk støt.

- Hvis du ikke kan unngå å bruke elektroverktøy på et fuktig sted, må du bruke en strømforsyning som er beskyttet med jordfeilbryter.** Bruk av jordfeilbryter (RCD) reduserer risikoen for elektrisk støt.

#### 3. Personikkerhet

- Vær oppmerksom, pass på hva du gjør, og vis fornuft når du arbeider med et elektroverktøy. Ikke bruk et elektrisk verktøy dersom du er trøtt eller er påvirket av medikamenter, narkotika eller alkohol.** Ett øyeblikks uoppmerksomhet under bruk av elektriske verktøy kan føre til alvorlig personskade.
- Bruk personlig verneutstyr. Bruk alltid vernebriller.** Verneutstyr slik som støvmaske, skliskre vernesko, hjelm, eller hørselsvern brukt under passende forhold vil redusere personskader.
- Forhindre utilsiktet start. Kontroller at bryteren står i posisjon "av" før du kobler til strømkilden og/eller batteripakken, og før du tar opp eller bærer verktøyet.** Å bære elektriske verktøy med fingeren på bryteren eller å sette inn støpselet mens elektriske verktøy har bryteren på øker faren for ulykker.
- Fjern eventuelt innstillingsverktøy eller skruverktøy før du slår på elektroverktøyet.** Et skruverktøy eller en nøkkel som fortsatt er festet til en roterende del av elektroverktøyet, kan føre til personskade.
- Ikke strekk deg for langt. Ha godt fotfeste og stå støtt hele tiden.** Dette fører til at du har bedre kontroll over det elektriske verktøyet ved uventede situasjoner.
- Bruk egnede klær. Ikke ha på deg løstsittende klær eller smykker. Hold hår, antrekk og hanser borte fra bevegelige deler.** Løstsittende klær, smykker og langt hår kan bli fanget opp av bevegelige deler.
- Hvis det kan monteres støvavsug- og oppsamlingsinnretninger, må du forvise deg om at disse er tilkoblet og brukes på riktig måte.** Bruk av støvoppsamlere kan redusere støvrelaterte farer.
- Ikke la erfaring med hyppig bruk av verktøy la deg bli likegyldig og ignorere verktøyetts sikkerhetsregler.** En uforsiktig handling kan føre til alvorlig personskade på brøkdelen av et sekund.

#### 4. Bruk og behandling av elektroverktøy

- Ikke bruk makt på elektroverktøyet. Bruk det elektriske verktøyet som situasjonen krever.** Det riktige elektriske verktøyet vil gjøre jobben bedre og tryggere ved den hastigheten det ble konstruert for.
- Ikke bruk elektroverktøyet hvis du ikke kan slå det på og av med bryteren.** Ethvert elektrisk verktøy som ikke kan kontrolleres med bryteren er farlig og må repareres.

- c. **Trek støpselet ut av stikkkontakten og/eller koble fra batteripakken på elektroverktøyet før du utfører innstillinger, bytter tilbehør eller legger elektroverktøyet bort for lagring.** Slike preventive sikkerhetsforanstaltninger reduserer risikoen for å starte det elektriske verktøyet ved et uheld.
- d. **Elektroverktøy som ikke er i bruk, må oppbevares utilgjengelig for barn. Ikke la verktøyet bli brukt av personer som ikke er fortrolige med det, eller som ikke kjenner disse instruksjonene.** Elektriske verktøy er farlige i hendene på utrenede brukere.
- e. **Sørg for vedlikehold av elektroverktøy. Undersøk om bevegelige deler er feiljustert eller blokkert, om deler er skadet, og om det er andre forhold som påvirke elektroverktøyet funksjon. Dersom det er skadet, få verktøyet reparert før neste bruk.** Mange ulykker forårsakes av dårlig vedlikeholdte verktøy.
- f. **Hold skjæreverktøy skarpe og rene.** Godt vedlikeholdte skjæreverktøy med skarpe skjærekanter setter seg mindre sannsynlig fast og er lettere å kontrollere.
- g. **Bruk elektroverktøy, tilbehør, bits osv. i henhold til disse instruksjonene. Ta hensyn til arbeidsforholdene og arbeidet som skal utføres.** Bruk av det elektriske verktøyet for oppgaver som er forskjellige fra de som er tiltenkt kan føre til en farlig situasjon.
- h. **Hold håndtakene og gripeflatene tørre, rene og frie for olje og fett.** Glatte håndtak og gripeflater forhindrer trygg håndtering og kontroll av verktøyet i uventede situasjoner.
5. **Bruk og stell av batteriverktøy**
- a. **Ladningen skal bare skje med den laderen som produsenten har spesifisert.** En lader som passer for en type batteripakke kan føre til risiko for brann dersom den brukes på en annen batteripakke.
- b. **Bruk elektroverktøy bare sammen med spesifikt angitte batteripakker.** Bruk av andre batteripakker kan føre til risiko for personskade og brann.
- c. **Når batteripakken ikke er i bruk, må du oppbevare den atskilt fra andre metallgjenstander som binders, mynter, nøkler, spiker, skruer eller andre små metallgjenstander som kan opprette en forbindelse fra en terminal til en annen.** Kortslutning av batteripolene mot hverandre kan føre til brannskader eller brann.
- d. **Ved feilaktig bruk kan det komme væske ut av batteriet, unngå kontakt med den. Dersom du kommer i kontakt med den, skyll av med vann. Dersom du får væsken i øynene, søk legehjelp.** Væske som kommer ut av batteriet kan føre til irritasjon eller brannskader.
- e. **Batteripakke eller verktøy som er skadet eller modifisert skal ikke brukes.** Batterier som er skadet eller modifisert kan ha uventet oppførsel og føre til brann, eksplosjon eller personskader.
- f. **Batteripakken skal ikke utsettes for brann eller for høy temperatur.** Eksponering for brann eller temperaturer over 130 °C (130°C) kan føre til eksplosjon.
- g. **Følg alle ladeinstrukser og ikke lade batteripakken eller verktøyet utenfor temperaturområdet som angitt i bruksanvisningen.** Feil lading eller ved temperaturer utenfor det angitt området kan skade batteriet og øke faren for brann.
6. **Service**
- g. **Følg alle ladeinstrukser og ikke lade batteripakken eller verktøyet utenfor temperaturområdet som angitt i bruksanvisningen.** Feil lading eller ved temperaturer utenfor det angitt området kan skade batteriet og øke faren for brann.
- b. **Skadede batteripakker skal aldri repareres.** Service på batteripakker skal kun utføres av produsenten eller autoriserte serviceverksteder.

### Ytterligere sikkerhetsadvarsler for elektroverktøy



**Advarsel!** Ekstra sikkerhetsvarsler for Alligator™ kuttere.

**Advarsel!** Verktøyet må aldri brukes over skulderhøyde.

Plasser deg alltid slik at du ikke står der grener eller avfall faller ned.

**Advarsel!** Ikke bruk dette verktøyet til felling av trær.

- ◆ **Hold elektriske verktøy kun i isolerte gripeoverflater når du utfører operasjoner hvor kutteutstyret kan komme i kontakt med skjulte ledninger eller egen ledning.** Kontakt med en strømførende ledning vil også føre til at eksponerte metalldele på elektroverktøyet blir strømførende, og brukeren kan få elektrisk støt.
- ◆ **Hold alltid alle kroppsdeler og klær unna sagkjeden.** Før du starter verktøyet, må du passe på at sagkjedet ikke er i kontakt med noe. Et øyeblikks uoppmerksomhet under bruk av kjedesagen kan føre til at klesplagg eller kroppsdeler vikles inn i eller på annen måte kommer i utilsikket kontakt med kjedesagen. Hold verktøyet foran deg, og vær oppmerksom på plasseringen av sagkjeden, spesielt når du kutter grener nær bakken.
- ◆ **Planlegg en trygg måte å komme deg unna fallende grener og avfall på. Kontroller at det ikke er hindringer i veien som kan føre til at du ikke kommer deg unna.** Husk at vått gress og nylig kuttet bark er glatt.
- ◆ **Vær oppmerksom på hvilke retninger en gren kan falle i.** Vurder alle forhold som kan ha innvirkning på fallretningen, inkludert:
  - ◆ Den tiltenkte fallretningen.
  - ◆ Den naturlige hellingen til grenen.
  - ◆ Eventuelle uvanlig tunge grener eller råtnede deler.

- ◆ Trær i nærheten og andre hindringer, inkludert kabler eller ledninger i luften.
- ◆ Vindstyrke og -retning.
- ◆ **Trygg avstand mellom grener som skal kuttes og personer, bygninger og andre gjenstander, er minst 2,5 ganger grenens lengde.** Eventuelle personer, bygninger eller gjenstander innenfor denne avstanden risikerer å bli truffet av den fallende grenen.
- ◆ **Når du kutter en gren som står i spenn, må du være oppmerksom på at den kan slå mot deg.** Når spennet i trefibrene frigjøres, kan grenen treffe operatøren og/eller slå verktøyet ut av kontroll.
- ◆ Bruk alltid egnet sikkerhetsutstyr, for eksempel antisklisikkerhetssko, hjelm, vernebriller, hørselsvern og hansker når du bruker verktøyet.
- ◆ Pass på at det er noen andre i nærheten (men på sikker avstand) i tilfelle uhell.
- ◆ Ikke bruk verktøyet når du er oppe i et tre, står på en stige eller står på andre ustabile innretninger.
- ◆ Ha godt fotfeste og stå støtt hele tiden.
- ◆ Hold verktøyet fast med begge hender når motoren er i gang.
- ◆ Hold håndtakene tørre, rene og fri for olje og fett. Håndtak med fett eller olje er glatte og kan forårsake at du mister kontrollen.
- ◆ En kjede i bevegelse må ikke komme i kontakt med noen gjenstander ytterst på sverdet.
- ◆ Hold sagkjeden i tilstrekkelig spenn. Kontroller spennet jevnlig når motoren er stoppet og ledningen frakoblet.
- ◆ Begynn og fortsett med kuttingen først når kjeden beveger seg med full hastighet.
- ◆ Se etter bevegelige grener eller andre krefter som kan avbryte en kutting, klemme kjeden eller falle ned på den.
- ◆ Vær svært forsiktig når du fortsetter med en tidligere kutting. Sett piggene på den nedre kloen inn i tre, og la kjeden nå full hastighet før du fortsetter kuttingen.
- ◆ Bruk av dette verktøyet til andre formål enn det som er angitt, kan føre til farlige situasjoner. Kutt bare i tre. Ikke bruk dette verktøyet til formål det ikke er tiltenkt for. Eksempel: Ikke bruk verktøyet til å kutte plast, mur eller byggematerialer som ikke er av tre.
- ◆ Hvis avfall setter seg fast i beskyttelsesanordningen, eller verktøyet stopper opp, må du ta ut batteriet og fjerne avfallet.
- ◆ Slitte kjeder og styreskinner må byttes ut.
- ◆ Bruk bare erstatningskinner og -kjeder som produsenten har angitt.

Selv om de relevante sikkerhetsbestemmelsene blir fulgt, og sikkerhetstiltakene blir gjennomført, kan visse gjenværende risikoer ikke unngås. Disse inkluderer:

- ◆ Personskader som forårsakes av berøring av en roterende/bevegelig del.
- ◆ Personskader som forårsakes av at en del, et blad eller tilbehør endres.
- ◆ Personskader som forårsakes av langvarig bruk av et verktøy. Når du bruker et verktøy i lange perioder, må du sørge for å ta regelmessige pauser.
- ◆ Hørselskader.
- ◆ Helsefarer som skyldes innånding av støv som dannes når du bruker verktøyet (for eksempel under arbeid med tre, spesielt eik, bøk og MDF.)

### Vibrasjon

Vibrasjonsemissionsverdien som er angitt under tekniske data og samsvarserklæring, er blitt målt i henhold til en standard testmetode som er angitt i EN 60745, og kan brukes til å sammenligne et verktøy med et annet. Den oppgitte vibrasjonsemissionsverdien kan også brukes til en foreløpig vurdering av eksponering.

**Advarsel!** Vibrasjonsemissionsverdien under faktisk bruk av elektroverktøyet kan avvike fra den oppgitte verdien avhengig av måten verktøyet blir brukt på. Vibrasjonsnivået kan øke over nivået som er oppgitt.

Når det vurderes vibrasjonseksponering for å avgjøre hvilke sikkerhetstiltak som kreves ifølge 2002/44/EF, for å beskytte personer som bruker elektroverktøy regelmessig til arbeidsformål, skal det, når vibrasjonseksponeringen anslås, tas hensyn til de faktiske bruksforholdene og måten verktøyet blir brukt på. Dette inkluderer å ta hensyn til alle deler av brukssyklusen, for eksempel når verktøyet er avslått, når det går på tomgang og når utløseren er trykket inn.

### Etiketter på verktøyet

Følgende symboler vises på verktøyet sammen med datokoden:



**Advarsel!** Brukeren må lese håndboken for å redusere risikoen for personskade.



Ikke bruk sagen i våte omgivelser, ikke la den utsettes for regn.



Bruk alltid vernebriller.



Bruk alltid hørselsvern.

### Restrisikoer

Når verktøyet brukes, kan det oppstå ytterligere risikoer som kanskje ikke er beskrevet i de medfølgende sikkerhetsadvarslene. Disse risikoene kan bli forårsaket av feil bruk, langvarig bruk osv.



Vær oppmerksom på fallende gjenstander



Hold andre personer unna



Ikke bruk verktøyet på stiger



Du sikrer kontinuerlig sikker bruk ved å kontrollere kjedestrammingen hvert 10. minutt og justere tilbake til klaring på 3 mm etter behov – som beskrevet i denne bruksanvisningen. Smør kjedet med olje hvert 10. minutt under bruk.



**Advarsel!** Ikke berør kjedet i sponutslippsområdet



Kjedens bevegelsesretning.



Garantert lydeffekt i henhold til direktiv 2000/14/EF

## Ytterligere sikkerhetsinstruksjoner for batterier og ladere (følger ikke med GKC1000LB)

### Batterier (følger ikke med GKC1000LB)

- ◆ Forsøk aldri å åpne av noen årsak.
- ◆ Ikke utsett batteriet for vann.
- ◆ Ikke utsett batteriet for varme.
- ◆ Ikke oppbevar det på steder hvor temperaturen kan komme over 40 °C.
- ◆ Skal bare lades ved omgivelsestemperaturer mellom 10 °C og 40 °C.
- ◆ Bruk bare ladere av typen som følger med apparatet/verktøyet. Hvis du bruker feil lader, kan dette føre til et elektrisk støt eller at batteriet overopphetes.
- ◆ Følg instruksene som finnes i avsnittet "Miljø" når du skal kaste batterier.
- ◆ Ikke skad eller deformer batteripakken ved punktering eller støt, da dette kan føre til risiko for personskade og brann.
- ◆ Ikke lad skadede batterier.

**Under ekstreme forhold kan batterilekkasje forekomme. Hvis du oppdager at det er væske på batteriene, tørker du bort væsken forsiktig med en klut. Unngå kontakt med huden.**

**Hvis væsken kommer i kontakt med huden eller øynene, følger du instruksjonene under.**

**Advarsel!** Batterivæsken kan føre til personskade eller skade på eiendom. Ved hudkontakt skyller du umiddelbart

med vann. Hvis huden blir rød eller irritert eller smerter inntreffer, søk øyeblikkelig medisinsk hjelp. Hvis væsken kommer i kontakt med øynene, skyller du umiddelbart med rent vann og søker øyeblikkelig medisinsk hjelp.

### Ladere (følger ikke med GKC1000LB)

**Advarsel!** Laderen er konstruert for en bestemt spenning. Kontroller alltid at nettspenningen er i overensstemmelse med spenningen på typeskiltet.

**Advarsel!** Ikke skift ut laderen med et vanlig nettstøpsel.

- ◆ BLACK+DECKER-laderen skal bare brukes til å lade batteriet i maskinen/verktøyet som laderen kom sammen med. Andre batterier kan sprekke og føre til personskade og materiell skade.
- ◆ Prøv aldri å lade ikke-oppladbare batterier.
- ◆ Hvis strømledningen blir skadet, må den byttes av produsenten eller et autorisert BLACK+DECKER-servicesenter for å unngå fare.
- ◆ Ikke utsett laderen for vann.
- ◆ Ikke åpne laderen.
- ◆ Ikke stikk gjenstander eller fingre inn i laderen.
- ◆ Laderen må plasseres på et sted med god gjennomlufting når det lades.

### Etiketter på laderen (følger ikke med GKC1000LB)

Du finner følgende symboler på laderen:



Laderen er bare beregnet for innendørs bruk.



Les denne håndboken før bruk.

### Elektrisk sikkerhet



Denne laderen er dobbeltisolert. Jording er derfor ikke nødvendig. Kontroller alltid at nettspenningen er i overensstemmelse med spenningen på typeskiltet. Ikke skift ut laderen med et vanlig nettstøpsel.

- ◆ Hvis strømledningen blir skadet, må den byttes av produsenten eller et autorisert BLACK+DECKER-servicesenter for å unngå fare.

### Funksjoner

1. Øvre klo
2. Nedre klo
3. Styreskinne for kjede
4. Oljedeksel
5. Lås
6. Batteri (følger ikke med GKC1000LB)
7. Strømbryterutløser
8. Sponutslippsområde
9. Lader (følger ikke med GKC1000LB)

## Montering (batteri og lader følger ikke med GKC1000LB)

**Advarsel!** Fjern batteriet (6) fra verktøyet før montering.

### Sette inn og ta ut batteriet (figur A)

- ◆ Når du skal sette inn batteriet (6), holder du det på linje med kontakten på verktøyet. Skyv batteriet (6) inn i kontakten, og skyv til batteriet (6) klikker på plass.
- ◆ Når du skal ta ut batteriet (6), trykker du på utløserknappen (18) og trekker samtidig batteriet (6) ut av kontakten.

### Åpne håndtakene (figur B)

- ◆ Når du skal åpne håndtakene, skyver du låsen (5) bakover og trekker håndtakene fra hverandre.
- ◆ Etter bruk lukker du håndtakene og skyver låsen (5) fremover til låst stilling. Håndtakene skal være låst under transport og oppbevaring.

### Justere kjedestramming (figur C)

**Advarsel!** Før du justerer kjedestrammingen eller gjør andre justeringer, må du passe på at verktøyet er slått av, og at batteriet er tatt ut.

**Advarsel!** Sverdet og sagkjeden kan være varme etter bruk. La det avkjøles før justering.

Produktet kommer ferdig montert. Vi anbefaler imidlertid at du kontrollerer strammingen av kjeden (14) og skruene for kjedetilgangsdekslet før bruk, og om nødvendig justerer dem.

### Kontrollere og justere kjedestrammingen (figur C)

Hvis du skal stramme kjeden (14), løsner du de to festeskruene (12) for kjedetilgangsdekslet med skrunøkkel (13), og kjedestrammingsenheten skyver sverdet (3) ut, slik at riktig stramming blir stilt inn. Stram de to festeskruene (12) godt. Kontroller at riktig stramming er riktig stilt inn ved å dra lett i kjeden (14). Strammingen er korrekt når kjeden spretter tilbake på plass når den blir trukket 3 mm ut fra sverdet. Det skal ikke være noe "sig" mellom sverdet (3) og kjeden (14) på undersiden.

**Merk:** Ikke stram kjeden for mye, da dette vil føre til stor slitasje, noe som reduserer levetiden for sverdet og kjeden. Det vil også redusere produktytelsen.

**Merk:** Ved første gangs bruk og hver gang kjeden er ny, må du kontrollere strammingen ofte, ettersom en ny kjede strekker seg litt.

### Bytte kjede og sverd

Etter langvarig bruk kan det hende du må bytte ut kjeden (14) og/eller sverdet (3). Pass på at bare Black & Decker godkjente reservedeler brukes.

## Demontere kjeden og sverdet (figur C og D)



Bruk alltid vernehansker når du setter inn eller tar ut sagkjeden (8). Sagkjeden er skarp og kan kutte deg selv om den ikke er i bevegelse.

**Advarsel!** Sverdet og sagkjeden kan være varme etter bruk. La delene avkjøles før du bytter dem ut.

- ◆ Legg verktøyet på en stabil og solid overflate.
- ◆ Skru de to festeskruene (12) mot klokken med skrunøkkel (13) som følger med, og ta dem helt av.
- ◆ Ta bort kjedetilgangsdekslet (11).
- ◆ Skyv låsen (5) til ulåst stilling, åpne håndtakene, og dra øvre klo bakover (1).
- ◆ Dra sverdet (3) bakover, og løft deretter sagkjeden (14) ut av sporet i sverdet. Kjeden kan deretter tas ut av enheten.
- ◆ Sverdet (3) kan deretter vippes opp og tas ut.

## Montere sverdet og kjeden (figur E og F)

**Advarsel!** Bruk alltid vernehansker når du setter på eller tar av sagkjeden. Sagkjeden er skarp og kan kutte deg selv om den ikke er i bevegelse.

- ◆ Sørg for at operasjonen utføres på en stabil og solid overflate.
- ◆ Skyv låsen (5) til ulåst stilling, åpne håndtakene, og dra øvre klo bakover (1).
- ◆ Sett inn sverdet (3) i mellomrommet ved kjedestrammeren, plasser i det forhold til sverholderen, og vipp sverdet (3) ned idet du passer på at det blir plassert riktig.
- ◆ Legg kjeden (14) rundt fronten av sverdet (3).
- ◆ Dra sverdet (3) og kjeden (14) bakover, slik at den festes i sporet i sverdet (3) og deretter over tannhullet (16). Plasser tennene i riktig posisjon på tannhullet.
- ◆ Sett kjedetilgangsdekslet (11) og de to festeskruene (12) på plass igjen, og fest dem godt.
- ◆ Pass på at kjeden (14) sitter riktig i forhold til merkene på verktøyet.

## Smøring (figur G)

- ◆ Før første gangs bruk og hvert tiende minutt under bruk må du olje produktet med riktig kjedeolje. (kat.nr. A6027). Åpne oljedekslet (4), og sett flasken inn i oljefyllingshullet (15). Trykk én gang på flasken for å helle i oljen.

- ◆ Dette skal være tilstrekkelig til ca. 10 minutters kutting, avhengig av kuttehastigheten og tretypen.

Hullet mater oljen gjennom til kjeden på sverdet (3), og hvis enheten tilføres for mye olje, kan det føre til at det drypper olje fra enheten rundt kloorrådet. Dette er vanlig og ingenting å bekymre seg over.

## Bruk

### Lade batteriet (fig. H) (følger ikke med GKC1000LB)

**Advarsel!** Ikke lad batteriet ved omgivelsestemperaturer under 10°C eller over 40°C. Anbefalt ladetemperatur er ca. 24°C.

**Merk:** Laderen vil ikke lade en batteripakke dersom celledemperaturen er under omtrent 0°C eller over 40°C.

**La batteriet stå i laderen. Laderen begynner å lade automatisk når celledemperaturen blir høyere eller lavere.**

- ◆ Når du skal lade batteriet (6), setter du det inn i laderen (9). Batteriet kan bare settes i laderen på én måte. Ikke bruk kraft.
- ◆ Pass på at batteripakken sitter helt inne i laderen (9).
- ◆ Plugg i laderen (9) og slå på nettstrømmen.
- ◆ Ladningsindikatoren (19) blinker kontinuerlig (langsomt).
- ◆ Ladningen er fullført når ladeindikatoren (19) lyser grønt kontinuerlig.
- ◆ Lampen begynner å blinke grønt (lader) når laderen av og til «fyller på» batteriladningen.
- ◆ Ladningsindikatoren (19) vil lyse så lenge batteripakken er tilkoblet den strømførende laderen (9).

Lad utladede batterier innen 1 uke. Batteriets levetid vil bli mye kortere hvis de oppbevares utladet.

### La batteriet være i laderen

Laderen og batteripakken kan være tilkoblet så lenge du vil mens LED lysver permanent. Laderen vil holde batteriet godt og fullstendig oppladet.

### Laderdiagnose

Hvis apparatet oppdager et svakt batteri, vil ladeindikatoren blinke hurtig rødt. Gå frem som følger:

- ◆ Sett inn batteriet (6) på nytt.
- ◆ Hvis ladningsindikatoren (19) fortsetter å blinke rødt med rask takt, bruker du et annet batteri til å finne ut om ladningsprosessen fungerer riktig.
- ◆ Hvis det andre batteriet lades korrekt, er det opprinnelige batteriet defekt og bør leveres til et servicesenter for resirkulering.
- ◆ Hvis det nye batteriet gir samme indikasjon som det opprinnelige batteriet, bringer du laderen til et autorisert servicesenter.

**Merk:** Det kan ta så mye som 60 minutter å avgjøre om batteriet er defekt.

**Hvis batteriet er for varmt eller for kaldt, blinker LED-lampen rødt vekslende raskt og langsomt, ett blink ved hver hastighet med gjentagelse.**

### Forberedelse

- ◆ Rengjør enheten regelmessig som beskrevet i vedlikeholdsdelen, og rengjør spesielt under kjedetilgangsdekslet (11).
- ◆ Den nedre (2) og øvre kloen (1) er utformet slik at de lukkes når du slipper ett av håndtakene, eller når grenen som skal kuttes, er kuttet av. Hvis dette ikke skjer, må du slutte å bruke verktøyet og fjerne batteriet fra verktøyet.
- ◆ Kontroller om avfall blokkerer bevegelsen. I den forbindelse kan det være nødvendig å ta av

kjedetilgangsdekslet (11). Hvis problemet fortsatt er der etter at verktøyet er montert på nytt, leverer du det til et autorisert verksted.

### Slå på og av

**Advarsel!** Ikke prøv å låse eller feste en bryterutløser i Påstilling.

Av hensyn til din sikkerhet er dette verktøyet utstyrt med et dobbelt brytersystem. Dette systemet hindrer at verktøyet startes ved et uhell.

### Slå på (figur I)

Pass på at du holder godt fast i håndtakene, og trykk deretter på begge bryterutløserne (7) for å slå på enheten.

### Slå av (fig. I)

Slipp én av bryterne.

**Merk:** Begge bryterne må være aktivert for at produktet skal kunne brukes.

Ikke tving verktøyet fremover. La det gjøre arbeidet selv. Det vil gjøre en bedre og tryggere jobb hvis det får bruke hastigheten det er utformet for. Hvis du bruker for mye makt, blir kjeden strukket.

Hvis sagkjeden (14) eller sverdet (3) setter seg fast:

- ◆ Skru verktøyet av.
- ◆ Fjern batteriet fra verktøyet.

Åpne kuttet med kiler for å løsne spennet på styreskinnen. Ikke prøv å tvinge sagen fri. Start et nytt kutt.

### Beskjære grener (figur J)

Undersøk at det ikke er noen lokale lover eller bestemmelser som forbyr eller styrer beskjæring av tregrener.

- ◆ Kontroller at verktøyet har nådd full hastighet før du kutter.
- ◆ Hold verktøyet fast for å unngå mulig hopping eller sidelengs bevegelser av verktøyet.
- ◆ Før verktøyet fremover med et lett trykk.
- ◆ Kutt alltid fra toppen og nedover. På den måten vil du unngå å klemme kjeden (14).
- ◆ Ta bort grener som vist i figur I. Begynn med tuppen av grenen, og fjern grenen i logiske trinn ved å kutte av små deler.
- ◆ Ta verktøyet bort fra kuttet mens det kjører med full hastighet.

### Vedlikehold

BLACK+DECKER-apparatet/-verktøyet med ledning/batteri er laget for å brukes over lang tid med et minimum av vedlikehold. For at den skal fungere tilfredsstillende over tid, er det viktig å sørge for riktig stell av verktøyet og regelmessig renhold.

**Advarsel!** Før du utfører vedlikehold på elektriskdrevet/batteridrevet elektroverktøy:

- ◆ Slå av apparatet/verktøyet og trekk ut støpselet.

- ◆ Eller slå av apparatet/verktøyet og fjern batteriet fra dette hvis apparatet/verktøyet har separat batteripakke.
- ◆ Eller la batteriet gå helt tomt hvis det er innebygd, og slå deretter av.
- ◆ Trekk ut laderen fra stikkkontakten før du rengjør den. Laderen krever ikke annet vedlikehold enn regelmessig rengjøring.

Rengjør ventilasjonsåpningene i apparatet/verktøyet/laderen jevnlig med en myk børste eller tørr klut.

Rengjør motorhuset regelmessig med en fuktig klut. Ikke bruk slipende eller løsemiddelbaserte rengjøringsmidler.

Åpne chucken regelmessig, og bank på den for å fjerne eventuelt støv fra innsiden (hvis det er aktuelt).

## Rengjøring

- ◆ Ta jevnlig bort kjedetilgangsdekselet (11) og fjern eventuelt avfall som har satt seg fast.
- ◆ Rengjør ventilasjonssporene regelmessig med en ren, tørr malerkost.
- ◆ Rengjør verktøyet bare med mild såpe og en fuktig klut. La det aldri komme væske inn i verktøyet og senk aldri noen deler av verktøyet ned i væske.

## Oljing

- ◆ Smør smørpunktene (15) regelmessig, som angitt i figur D.

## Transport

- ◆ Transporter alltid verktøyet med klørne lukket og låsen (5) i låst stilling.

## Slipe kjeden

Hvis du vil ha best mulig ytelse fra verktøyet, er det viktig å holde kjedetenene skarpe. Du finner mer informasjon om dette i skjerpesettet. For dette anbefaler vi at du kjøper BLACK+ DECKER slipesett for kjedesager A6039 (fås hos autoriserte BLACK+ DECKER-serviceverksteder og forhandlere).

## Skifte utslitte sagkjeder

Nye sagkjeder kan fås hos forhandlere og autoriserte BLACK+DECKER-serviceverksteder. Bruk alltid originale reservedeler.

## Kjedeskarpnet

Sagetennene på kjedet vil bli sløve med én gang hvis det berører bakken eller en spiker under bruk.

## Sagkjedestramming

Sjekk sagkjedestrammingen regelmessig.

## Hva som skal gjøres hvis kjedesagen må repareres

Dette verktøyet oppfyller relevante sikkerhetskrav.

Reparasjoner må bare utføres av en kvalifisert person som benytter originale reservedeler, ellers kan det være svært

farlig for brukeren. Vi anbefaler at du oppbevarer denne bruksanvisningen på et sikkert sted.

## Lagring

Når verktøyet ikke skal brukes på flere måneder, smører du alle metalldele med olje. Det beste er å ha batteriet (6) koblet til laderen.

## Fortsett som følger:

- ◆ Lad batteriet (6) fullstendig.
- ◆ Fjern batteriet (6) fra verktøyet.
- ◆ Oppbevar verktøyet og batteriet (6) på et sikkert og tørt sted. Oppbevaringstemperaturen må alltid være mellom +5°C og +40°C. Plasser batteriet (6) på et plant sted.
- ◆ Før du bruker verktøyet etter lang tids oppbevaring, lader du batteriet (6) fullstendig igjen.

## Miljøvern



Separat avfallshåndtering. Produkter og batterier merket med dette symbolet skal ikke kastes sammen med normalt husholdningsavfall.

Produkter og batterier inneholder materialer som kan gjenbrukes eller gjenvinnes for å redusere behovet for nye råmaterialer.

Vennligst lever elektrisk utstyr og batterier til gjenbruk i henhold til lokale forskrifter. Mer informasjon finner du på [www.2helpU.com](http://www.2helpU.com).

## Tekniske data

		GKC1000L H3	GKC1000LB H3
Spenning	V <sub>DC</sub>	18	18
Kjedehastighet (uten belastning)	min <sup>-1</sup>	1,9	1,9
Maksimal kuttediameter	mm	100	100
Vekt	kg	3,1	3,1

Batteri		BL2018	GKC1000LB medfølger ikke
Spenning	V <sub>DC</sub>	18	
Kapasitet	Ah	2,0	
Type		Li-Ion	
Lader		906349** TYPE 1	GKC1000LB medfølger ikke
Inngangsspenning	V <sub>AC</sub>	200-240	
Utgangsspenning	V <sub>DC</sub>	8-20	
Utgangsstrøm	mA	1000	
Omtrentlig ladetid	h	2	

Garantert lydtrykknivå målt i henhold til EN60745:

LpA (lydtrykk) 85 dB(A), usikkerhet (K) 3 dB(A)  
LwA (lydeffekt) 95 dB(A), usikkerhet (K) 2,3 dB(A)  
LwA (garantert lydeffekt) 97 dB(A)

Totale vibrasjonsverdier (vektorsum fra tre retninger) bestemt i samsvar med EN 60745:

Kutting av nylig felt bløtt tre (ah) = 4,9 m/s<sup>2</sup>, usikkerhet (K) = 1,5 m/s<sup>2</sup>

## EU-samsvarserklæring

MASKINDIREKTIVET  
DIREKTIV FOR UTENDØRSSTØY



GKC1000L, GKC1000LB – Alligator™ kutter

Black & Decker erklærer at disse produktene, som er beskrevet under "Tekniske data", er i samsvar med:  
EN 60745-1:2009 + A11:2010

Disse produktene er også i samsvar med direktiv  
2006/42/EC, 2014/30/EU og 2011/65/EU.

Hvis du ønsker mer informasjon, kan du kontakte Black & Decker på adressen under eller se baksiden av bruksanvisningen.

Undertegnede er ansvarlig for utarbeidelsen av den tekniske dokumentasjonen og gir denne erklæringen på vegne av Black & Decker.

A. P. Smith  
Technical Director  
Black & Decker Europe, 210 Bath Road, Slough,  
Berkshire, SL1 3YD  
Storbritannia  
14/03/2019

Alligator™ kuttere er underlagt patent- og designsøknader i Europa, USA og andre land over hele verden. ALLIGATOR er et varemerke for Black & Decker Corporation.

## Garanti

Black & Decker er trygg på kvaliteten av produktene sine og tilbyr en 24 måneders garanti fra kjøpsdato. Denne garantierklæringen kommer i tillegg til dine lovbestemte rettigheter og er ikke i konflikt med disse. Garantien er gyldig innen områdene tilhørende medlemslandene i den Europeiske Union (EU) og det Europeiske Frihandelsområdet (EFTA).

For å ta garantien i bruk må kravet være i samsvar med kjøpsbetingelsene fra Black&Decker og du må vise kjøpskvittering til forhandleren eller til et autorisert serviceverksted. Betingelsene for Black&Deckers 2 års garanti og adressen til din nærmeste autoriserte serviceverksted

kan du finne på internett under [www.2helpU.com](http://www.2helpU.com), eller ved å kontakte ditt lokale Black & Decker kontor, adressen er angitt i denne bruksanvisningen.

Besøk våre nettsider på [www.blackanddecker.no](http://www.blackanddecker.no) for å registrere ditt nye Black & Decker-produkt og for å få informasjon om nye produkter og spesialtilbud.



## Tilsigtet brug

Din BLACK+DECKER™, GKC1000L, GKC1000LB Alligator™ kapsav er konstrueret til beskæring af grene på træer, savning af nedfaldne grene og savning af mindre kvævier på 25 mm til 100 mm i diameter, mens brugeren står på jorden. Værktøjet er kun beregnet til privat brug.

## Sikkerhedsinstruktioner

### Generelle sikkerhedsadvarsler vedrørende elværktøj



**Advarsel! Læs alle sikkerhedsadvarsler og alle instruktioner.** Hvis nedenstående advarsler og instruktioner ikke følges, er der risiko for elektrisk stød, brand og alvorlige kvæstelser.

### Gem alle advarsler og instruktioner til fremtidig reference.

Begrebet "elværktøj", der benyttes i nedenstående advarsler, henviser til netdrevet elværktøj (med netledning) eller batteridrevet elværktøj (uden netledning).

1. **Sikkerhed i arbejdsområdet**
  - a. **Hold arbejdsområdet rent og ordentligt oplyst.** Rodede eller mørke områder giver anledning til ulykker.
  - b. **Brug ikke elværktøj i eksplosive omgivelser, f.eks. hvor der er brændbare væsker, gasser eller støv.** Elværktøj danner gnister, der kan antænde støv eller dampe.
  - c. **Hold børn og andre personer i nærheden på afstand, når der arbejdes med elværktøj.** Distractioner kan medføre, at du mister kontrollen.
2. **Elektricitet og sikkerhed**
  - a. **Elværktøjets stik skal passe til kontakten. Stikket må aldrig modificeres på nogen måde.** Undlad at bruge adapterstik sammen med (jordforbundet) elektrisk værktøj. Umodificerede stik og dertil passende stikkontakter reducerer risikoen for elektrisk stød.
  - b. **Undgå kropskontakt med jordforbundne overflader som f.eks. rør, radiatore, komfurer og køleskabe.** Der er øget risiko for elektrisk stød, hvis din krop er jordforbundet.
  - c. **Udsæt ikke elværktøj for regn, og brug det ikke, hvor omgivelserne er våde.** Hvis der trænger vand ind i et elektrisk værktøj, øges risikoen for elektrisk stød.
  - d. **Pas på, at ledningen ikke beskadiges. Brug aldrig ledningen til at bære, trække værktøjet eller trække det ud af stikkontakten.** Hold ledningen borte fra varme, olie, skarpe kanter og bevægelige dele. Beskadigede eller sammenfiltrede ledninger øger risikoen for elektrisk stød.
  - e. **Hvis elværktøj benyttes i det fri, skal der benyttes en forlængerledning, som er godkendt til udendørs brug.** Brug af en ledning, der er egnet til udendørs brug, reducerer risikoen for elektrisk stød.
  - f. **Brug en strømkilde med fejlstrømsrelæ, hvis det er nødvendigt at anvende elværktøj på fugtige steder.** Ved at benytte en fejlstrømsafbryder reduceres risikoen for elektrisk stød.
3. **Personssikkerhed**
  - a. **Vær opmærksom, hold øje med, hvad du laver og brug elværktøjet fornuftigt. Betjen ikke værktøjet, hvis du er træt, påvirket af narkotika, alkohol eller medicin.** Et øjeblik uopmærksomhed under anvendelse af et elektrisk værktøj kan forårsage alvorlige kvæstelser.
  - b. **Brug personligt beskyttelsesudstyr. Bær altid beskyttelsesbriller.** Sikkerhedsudstyr, såsom støvmaske, skridsikre sikkerhedssko, sikkerhedshjelm eller hørevæm, brugt når omstændighederne foreskriver det, reducerer omfanget af personskader.
  - c. **Træf forholdsregler, så utilsigtet start ikke er mulig. Kontrollér, at afbryderkontakten står på slukket, inden værktøjet tilsluttes strømkilden og/eller batteriet, samles op eller bæres.** Når elektrisk værktøj bæres med fingeren på kontakten eller tilsluttes, når kontakten er tændt, giver det anledning til ulykker.
  - d. **Fjern indstillingsværktøj eller skruenøgle, inden elværktøjet startes.** En skruenøgle eller anden nøgle, der bliver siddende på en roterende del af elektrisk værktøj, kan forårsage kvæstelser.
  - e. **Stræk dig ikke for langt. Hold hele tiden en god fodstilling og balance.** Dette udgør at du har bedre kontrol over det elektriske værktøj, når uventede situationer opstår.
  - f. **Brug egnet arbejdstøj. Bær ikke løst tøj eller smykker. Hold dit hår, tøj og handsker væk fra bevægelige dele.** Løstsiddende tøj, smykker eller langt hår kan blive fanget i bevægelige dele.
  - g. **Hvis der kan monteres støvudsugnings- og opsamlingsudstyr, skal dette tilsluttes og benyttes korrekt.** Anvendelse af støvsamlingsudstyr kan begrænse farer forårsaget af støv.
  - h. **Lad ikke kendskab fra hyppig brug af værktøjer gøre dig uforsigtig og få dig til at ignorere principperne for værktøjssikkerhed.** En uforsigtig handling kan forårsage alvorlig personskade på en brøkdel af et sekund.
4. **Brug og vedligeholdelse af elværktøj**
  - a. **Overbelast ikke elværktøjet. Brug det værktøj, der er bedst egnet til det arbejde, der skal udføres.** Værktøjet vil klare opgaven bedre og mere sikkert med den ydelse, som det er beregnet til.

- b. **Brug ikke elværktøjet, hvis afbryderkontakten er defekt.** Alt elektrisk værktøj, der ikke kan kontrolleres med kontakten, er farligt og skal repareres.
- c. **Træk stikket ud af stikkontakten og/eller batteriet inden indstilling, tilbehørsudskiftning eller opbevaring af elværktøjet.** Sådanne forebyggende sikkerhedsforanstaltninger mindsker risikoen for, at værktøjet startes utilsigtet.
- d. **Opbevar ubenyttet elværktøj uden for børns rækkevidde. Lad aldrig personer, der ikke er fortrolige med elværktøjet, eller som ikke har læst denne vejledning, benytte maskinen.** El-værktøj er farligt i hænderne på personer, som ikke er instrueret i brugen deraf.
- e. **Elværktøj skal vedligeholdes. Kontroller, om bevægelige dele er skæve og ikke sidder fast, og om delene er brækket eller beskadiget, så elværktøjets funktion påvirkes. Hvis det elektriske værktøj er beskadiget, skal det repareres før brug.** Mange ulykker er forårsaget af dårligt vedligeholdt værktøj.
- f. **Hold skæreværktøj skarpt og rent.** Ordentligt vedligeholdt skæreværktøj med skarpe skærekanter har mindre tilbøjelighed til at binde og er lettere at styre.
- g. **Brug elværktøjet, tilbehøret, indsatsværktøj osv. i overensstemmelse med disse instruktioner under hensyntagen til arbejdsforholdene og arbejdet, der skal udføres med værktøjet.** Brug af elektrisk værktøj til andre opgaver end dem, det er beregnet til, kan resultere i en farlig situation.
- h. **Hold håndtagene og håndtagsfladerne tørre, rene og fri for olie og fedt.** Glatte håndtag og håndtagsflader giver ikke en sikker håndtering og kontrol af værktøjet i uventede situationer.
5. **Brug og pleje af batteriværktøj**
- a. **Genoplad kun med den oplader, som producenten har angivet.** En oplader, der passer til en type batteripakke, kan udgøre en risiko for brand, når den bruges til en anden type.
- b. **Elværktøj må kun bruges med batteripakker, der er beregnet hertil.** Brugen af andre batteripakker kan medføre personskaade og brand.
- c. **Når batteripakken ikke er i brug, skal den holdes på afstand af andre metalgenstande, f.eks. papirclips, mønter, nøgler, søm, skruer og andre små metalgenstande, som kan skabe forbindelse mellem de to poler.** Kortslutning af batteriet kan forårsage forbrændinger eller brand.
- d. **Under grove forhold kan væske sive ud fra batteriet; undgå kontakt. Hvis der opstår kontakt ved et uheld, skyl med vand. Hvis væske kommer ind i øjnene, søg omgående lægehjælp.** Væske, der siver ud fra batteriet, kan fremkalde irriterationer eller forbrændinger.
- e. **Brug ikke en batteripakke eller et værktøj, der er beskadiget eller modificeret.** Beskadigede eller modificerede batterier kan udvise uforudsigelig adfærd, hvilket kan resultere i brand, eksplosion eller risiko for personskaade.
- f. **Udsæt ikke en batteripakke eller et værktøj for ild eller for høj temperatur.** Eksponering for ild eller temperatur på over 130°C kan forårsage eksplosion.
- g. **Følg alle opladningsanvisninger, og undlad at oplade batteripakken eller værktøjet uden for det temperaturinterval, der er specificeret i instruktionerne.** En forkert opladning eller opladning uden for det specificerede interval kan beskadige batteriet og øge risikoen for brand.
6. **Service**
- a. **Følg alle opladningsinstruktioner, og undlad at oplade batteripakken eller værktøjet uden for det temperaturområde, der er specificeret i instruktionerne.** En forkert opladning eller opladning uden for det specificerede interval kan beskadige batteriet og øge risikoen for brand.
- b. **Beskadigede batteripakker må aldrig serviceres.** Service af batteripakker bør kun udføres af producenten eller autoriserede serviceudbydere.

### Yderligere sikkerhedsadvarsler for elværktøj



**Advarsel!** Yderligere sikkerhedsadvarsler for Alligator™ kapsave.

**Advarsel!** Brug aldrig værktøjet over skulderhøjde. Stå altid på en sådan måde, at du er i sikkerhed for faldende grene og løse dele.

**Advarsel!** Brug ikke dette værktøj til fældning af træer.

- ◆ **Hold kun fast i elværktøjet ved hjælp af de isolerede håndtagsflader, når der skal saves i emner, hvor skæreværktøjet kan berøre skjulte ledninger eller sit eget kabel.** Ved kontakt med en strømførende ledning bliver elværktøjets blotlagte metaldele også strømførende, så brugeren får stød.
- ◆ **Hold altid enhver krops- og beklædningsdel borte fra savkæden.** Før du starter værktøjet, skal du sikre dig, at savkæden ikke er i kontakt med noget. Få sekundær opmærksomhed ved brugen af værktøjet kan medføre, at dit tøj eller din krop kommer i kontakt med savkæden. Hold værktøjet foran dig, og vær opmærksom på savkædens position, især hvis der saves grene tæt ved jorden.
- ◆ **Planlæg på forhånd en sikker undvigerute fra grene og trædele.** Kontroller, at undvigeruten er fri for hindringer, der kan forhindre eller hæmme bevægelsesfriheden. Husk, at vådt græs og nyskåret bark er glat.

- ◆ **Vær opmærksom på den retning, grene kan falde**
  - i. Tag alle forhold, som kan påvirke faldretningen, i betragtning, herunder:
    - ◆ Den tilsigtede falderetning.
    - ◆ Grenens naturlige hældning.
    - ◆ En usædvanligt tung stammestruktur eller forrådnelse.
    - ◆ Træer i omgivelserne og hindringer inkl. el-ledninger over hovedhøjde.
    - ◆ Vindhastighed og -retning.
- ◆ **Sikkerhedsafstanden mellem en gren, der skal skæres ned, og omkringstående personer, bygninger og andre genstande skal være mindst 2 1/2 gange grenens længde.** Omkringstående personer, bygninger eller genstande inden for denne afstand risikerer at blive ramt af den nedfaldende gren.
- ◆ **Ved savning i en stammedel, der står under spænding, skal du være opmærksom på eventuel tilbagefjedring.** Når spændingen i træfibrene frigives, kan den fjedrende stammedel ramme brugeren og/eller bringe værktøjet ud af kontrol.
- ◆ Brug altid egnet sikkerhedsudstyr som f.eks. skridsikert fodtøj, beskyttelseshjelm, sikkerhedsbriller, høreværn og handsker, når der arbejdes med værktøjet.
- ◆ Der skal altid være en person i nærheden (men i sikker afstand), hvis der skulle ske et uheld.
- ◆ Forsøg ikke at betjene værktøjet, hvis du er oppe i et træ, står på en stige eller står på anden ustabil understøttelse.
- ◆ Hold hele tiden en god fodstilling og balance.
- ◆ Hold godt fast i værktøjet med begge hænder, når motoren kører.
- ◆ Hold håndtagene tørre, rene og fri for olie og fedt. Fedtede håndtag er glatte og kan forårsage, at du mister kontrollen over maskinen.
- ◆ Lad ikke den kørende kæde komme i kontakt med genstande ved spidsen af sværdet.
- ◆ Sørg for, at savkæden altid har den rette spænding. Kontroller kædespændingen regelmæssigt med motoren standset og ledningen trukket ud af stikkontakten.
- ◆ Påbegynd og genoptag kun savningen, når kæden bevæger sig med maksimal hastighed.
- ◆ Pas på grene, der flytter sig, eller andre kræfter, der kan lukke savsporet og klemme eller falde ind i kæden.
- ◆ Udvis stor forsigtighed ved genoptagning af savning i et gammelt savspor. Lås spidserne på den nederste kæbe fast i træet, og lad kæden nå fuld hastighed, før der fortsættes med savningen.
- ◆ I tilfælde af anvendelse af dette værktøj til formål, der ligger uden for det fastsatte anvendelsesområde, kan der opstå farlige situationer. Sav kun i træ. Anvend ikke dette værktøj til formål, det ikke er beregnet til – for eksempel – Anvend ikke værktøjet til savning i plastic, murværk eller byggemateriale, der ikke er af træ.

- ◆ Hvis fremmedlegemer sætter sig fast i afskærmningen eller værktøjet, skal arbejdet afbrydes, batteriet tages ud og fremmedlegemet fjernes.
- ◆ Slidte kæder og sværd skal udskiftes.
- ◆ Anvend kun udskiftningssværd og -kæder, som er godkendt af producenten.

### Tilbageværende risici

Der kan opstå yderligere, tilbageværende risici under brugen af apparatet, som muligvis ikke behandles i de vedlagte sikkerhedsadvarsler. Disse risici kan opstå pga. forkert anvendelse, langvarig brug etc.

Selv ved overholdelse af relevante sikkerhedsforskrifter og anvendelse af sikkerhedsudstyr kan visse tilbageværende risici ikke undgås. Disse omfatter:

- ◆ Tilskadekomst forårsaget af berøring af roterende/ bevægelige dele.
- ◆ Tilskadekomst forårsaget af udskiftning af dele, klinger eller tilbehør.
- ◆ Tilskadekomst forårsaget af langvarig brug af et apparat. Husk at holde pause jævnligt ved brug af et apparat i længere tid.
- ◆ Hørenedsættelse.
- ◆ Sundhedsrisici forårsaget af indånding af støv, der genereres ved brug af dit apparat (eksempel: arbejde med træ, især eg, bøg og MDF.)

### Vibration

De angivne værdier for udsendelse af vibration opført under de tekniske data og overensstemmelseserklæringen er målt i henhold til standardtestmetoden anført i EN 60745 og kan bruges til at sammenligne ét værktøj med et andet. Den angivne vibrationsemissionsværdi kan også bruges som en foreløbig vurdering af eksponeringen.

**Advarsel!** Værdien for vibrationsemission ved faktisk brug af elværktøjet kan afvige fra den angivne værdi afhængig af måden, værktøjet anvendes på. Vibrationsniveauet kan overstige det angivne niveau.

I vurderingen af eksponeringen for vibration med henblik på fastsættelse af sikkerhedsforanstaltninger som krævet i 2002/44/EF til beskyttelse af personer, der jævnligt anvender elværktøj i deres arbejde, skal der tages hensyn til de faktiske betingelser under brugen, og måden værktøjet bruges på, herunder alle arbejdscyklussens elementer, f.eks. perioder, hvor værktøjet er slukket, og hvor det kører i tomgang, tillige med startperioderne.

### Mærkater på værktøjet

Værktøjet er forsynet med følgende piktogrammer sammen med en datokode:



**Advarsel!** Brugeren skal læse brugervejledningen for at reducere risikoen for tilskadekomst.



Anvend ikke saven under våde forhold, og udsæt den ikke for regn.



Bær altid beskyttelsesbriller.



Bær altid høreværn.



Vær opmærksom på faldende genstande



Personer i nærheden skal holdes på afstand



Anvend ikke stiger

Kontrollér kædestramningen som beskrevet i denne vejledning for hver 10 minutters brug, for at sikre, at saven er sikker i brug, og juster til en afstand på 3 mm som påkrævet. Smør kæden for hver 10 minutters brug.



**Advarsel!** Rør ikke savkæden ved spånudgangen



Kædens omløbsretning.



Direktiv 2000/14/EF garanteret lydeffekt.

## Yderligere sikkerhedsinstruktioner for batterier og opladere (følger ikke med GKC1000LB)

### Batterier (følger ikke med GKC1000LB)

- ◆ Forsøg aldrig at åbne den af en eller anden grund.
- ◆ Batteriet må ikke udsættes for fugt.
- ◆ Batteriet må ikke udsættes for varme.
- ◆ Opbevar ikke batterier på steder, hvor temperaturen kan overstige 40°C.
- ◆ Foretag kun opladning ved omgivelsestemperaturer mellem 10°C og 40°C.
- ◆ Brug kun den oplader, der fulgte med apparatet/værktøjet, til opladning. Brug af den forkerte oplader kan medføre elektrisk stød eller overophedning af batteriet.
- ◆ Følg ved bortskaffelse af batterier vejledningen i afsnittet "Miljø".

- ◆ Undgå at beskadige/deformere batteripakken ved at punktere den eller slå på den, da dette kan forårsage risiko for tilskadekomst eller brand.
- ◆ Beskadede batterier må ikke oplades.

**Under ekstreme forhold kan der forekomme batterilækage.** Når du bemærker væske på batterierne, skal du omhyggeligt tørre væsken af med en klud. Undgå kontakt med huden.

I tilfælde af kontakt med hud eller øjne skal nedenstående instruktioner følges.

**Advarsel!** Batterivæsken kan forårsage personskader eller materielle skader. I tilfælde af kontakt med huden skylles straks med vand. Søg læge, hvis der opstår rødme, smerte eller irritation. Skyl straks med rent vand, og søg læge i tilfælde af kontakt med øjnene.

### Opladere (følger ikke med GKC1000LB)

**Advarsel!** Opladeren er udviklet til en specifik spænding. Kontroller altid, at netspændingen svarer til spændingen på typeskiltet.

**Advarsel!** Forsøg aldrig at erstatte opladerenheden med et almindeligt netstik.

- ◆ Brug kun din BLACK+DECKER oplader til at oplade batteriet i det apparat/værktøj, som den blev leveret sammen med. Andre batterier kan eksplodere og forårsage kvæstelser og materielle skader.
- ◆ Forsøg aldrig at oplade ikke-genopladelige batterier.
- ◆ Hvis netledningen beskadiges, skal den udskiftes af producenten eller et autoriseret BLACK+DECKER-værksted, så farlige situationer undgås.
- ◆ Opladeren må ikke udsættes for fugt.
- ◆ Opladeren må ikke åbnes.
- ◆ Undersøg ikke opladeren.
- ◆ Opladeren skal ved opladning anbringes et sted med god udluftning.

### Etiketter på opladeren (følger ikke med GKC1000LB)

Opladeren er forsynet med følgende advarselssymboler:



Opladeren er kun beregnet til indendørs brug.



Læs brugervejledningen, før værktøjet tages i brug.

### Elektricitet og sikkerhed



Opladeren er dobbelt isoleret. Derfor er en jordledning ikke nødvendig. Kontroller altid, at netspændingen svarer til spændingen på typeskiltet. Forsøg aldrig at erstatte opladerenheden med et almindeligt netstik.

- ◆ Hvis netledningen beskadiges, skal den udskiftes af

producenten eller et autoriseret BLACK+DECKER-værksted, så farlige situationer undgås.

## Funktioner

1. Øverste kæbe
2. Nederste kæbe
3. Sværd
4. Smøreafdækning
5. Smæklås
6. Batteri (følger ikke med GKC1000LB)
7. Afbryderaktuatorer
8. Spånudgang
9. Oplader (følger ikke med GKC1000LB)

## Enhed (følger ikke med GKC1000LB)

**Advarsel!** Tag batteriet (6) ud af værktøjet inden det samles.

## Isætning og udtagning af batteriet (fig. A)

- ◆ Sæt batteriet (6) i ved at anbringe det, så det flugter med holderen i værktøjet. Skyd batteriet (6) ind i holderen, og skub mod det, indtil batteriet (6) går i indgreb.
- ◆ Tryk på udløserknappen (18), og træk samtidigt batteriet (6) ud af holderen for at tage batteriet (6) ud.

## Åbning af håndgrebene (fig. B)

- ◆ Skub låsen (5) tilbage, og træk håndtagene fra hinanden for at åbne håndgrebene.
- ◆ Luk håndgrebene, og skub låsen (5) fremad til låst position efter brug. Håndgrebene skal være låst under transport og opbevaring.

## Justering af kædens spænding (fig. C)

**Advarsel!** Kontroller, at værktøjet er slukket, og at batteriet er taget ud, inden kædens spænding justeres, eller der foretages anden justering.

**Advarsel!** Sværdet og savkæden kan være varme efter brug. Lad dem køle af inden justeringen.

I leveringstilstanden er produktet samlet. Vi anbefaler dog inden brug at kontrollere spændingen på savkæden (14) og fastgørelsesboltene på skjoldet. Foretag om nødvendigt justeringer.

## Kontrol og justering af kædens spænding (fig. C)

Savkædens (14) spænding justeres ved at løsne de to bolte, der holder skjoldet fast (12), vha. skruenøglen (13), hvorved kædejusteringsenheden skubber sværdet (3) ud, og den korrekte spænding indstilles. Spænd de to fastgørelsesbolte (12) fast igen, så de sidder ordentligt fast.

Kontroller, at den korrekte spænding er indstillet, ved at trække i savkæden (14). Spændingen er i orden, hvis savkæden springer tilbage efter af være trukket 3 mm fri af sværdet. Der må ikke være nogen "nedbøjning" mellem sværdet (3) og savkæden (14) på undersiden.

**Bemærk:** Savkæden må ikke overspændes, da det vil medføre kraftig slitage og forkorte sværdets og savkædens levetid. Dette vil desuden medføre forringet ydeevne fra produktet.

**Bemærk:** Når saven bruges for første gang, og hvis savkæden er ny, skal spændingen kontrolleres ofte, da nye savkæder vil strække sig en smule.

## Udskiftning af savkæden og sværdet

Efter lang tids brug kan det være nødvendigt at udskifte savkæden (14) og/eller sværdet (3). Der må kun anvendes reservedele anbefalet af Black & Decker.

## Afmontering af savkæden og sværdet (fig. C og D)



Anvend altid beskyttelseshandsker ved montering og afmontering af savkæden (8).

Savkæden er skarp, og man kan skære sig på den, selv om den ikke kører.

**Advarsel!** Sværdet og savkæden kan være varme efter brug. Lad dem køle af før udskiftningen.

- ◆ Anbring værktøjet på en stabil overflade.
- ◆ Drej de to fastgøringsbolte (12) i retning mod uret vha. den medfølgende skruenøgle (13), og fjern dem helt.
- ◆ Fjern skjoldet over kæden (11).
- ◆ Sæt låsen (5) i oplåst position, åbn håndgrebene, og træk den øverste kæbe (1) tilbage.
- ◆ Træk sværdet (3) tilbage, og løft derefter savkæden (14) ud af sporet i sværdet. Kæden kan derefter tages af enheden.
- ◆ Sværdet (3) kan derefter vinkles op og tages af.

## Samling af sværdet og savkæden (fig. E og F)

**Advarsel!** Anvend altid beskyttelseshandsker ved montering og afmontering af savkæden. Savkæden er skarp, og man kan skære sig på den, selv om den ikke kører.

- ◆ Sørg for, at arbejdet udføres på et stabilt underlag.
- ◆ Sæt låsen (5) i oplåst position, åbn håndgrebene, og træk den øverste kæbe (1) tilbage.
- ◆ Sæt sværdet (3) ind i åbningen imellem kædestrammeren, og anbring det ud for sværdets lokaliseringsanordning, hvorefter sværdet (3) vinkles ned, idet det sikres, at placeringen er korrekt.
- ◆ Anbring savkæden (14) omkring sværdets forside (3).
- ◆ Træk sværdet (3) og savkæden (14) tilbage, idet kæden føres ind i sporet i sværdet (3) og derefter over tandhullet (16), så tænderne kommer til at sidde korrekt på tandhullet.
- ◆ Sæt skjoldet (11) på plads over kæden, og spænd fastgøringsboltene (12), så de sidder ordentligt fast.
- ◆ Kontroller, at savkæden (14) sidder rigtigt i forhold til markeringerne på værktøjet.

## Smøring (fig. G)

- ◆ Før første ibrugtagning og for hver 10 minutters brug skal produktet smøres med den foreskrevne kædeolie. (Kat.-nr. A6027) Åbn smøreafdækningen (4), og sæt flaskens studs ind i oliepåfyldningshullet (15). Tryk en enkelt gang på flasken for at afgive olie.
- ◆ Dette bør afhængigt af savehastigheden og træets type være tilstrækkeligt til omkring 10 minutters savearbejde. Hullet fører olien gennem savkæden til sværdet (3), og hvis der kommer for meget olie i værktøjet, kan olien begynde at dryppe fra værktøjet omkring kæbeområdet. Dette er normalt og ingen grund til bekymring.

## Anvendelse

### Opladning af batteriet (fig. H) (følger ikke med GKC1000LB)

**Advarsel!** Oplad ikke batteriet ved omgivelsestemperaturer på under 10°C eller over 40°C. Den anbefalede opladningstemperatur er ca. 24°C.

**Bemærk:** Opladeren oplader ikke en batteripakke, hvis celledens temperaturen er under ca. 0°C eller over 40°C. Batteriet bør blive siddende i opladeren, som automatisk begynder opladningen, når batteriet opvarmes eller afkøles.

- ◆ Sæt batteriet (6) i opladeren (9) for at lade det op. Batteriet passer kun i opladeren på én måde. Tving dem ikke.
- ◆ Kontroller, at batteripakken er sat helt ned i opladeren (9).
- ◆ Tilslut opladeren (9), og tænd på stikkontakten.
- ◆ Ladeindikatoren (19) begynder at blinke (langsomt).
- ◆ Opladningen er afsluttet, når ladeindikatoren (19) lyser konstant grønt.
- ◆ LED'en begynder at blinke grønt (opladning), når opladeren en gang imellem "efterfylder" batteriet.
- ◆ Ladeindikatoren (19) lyser, så længe batteripakken befinder sig i en oplader (9), der er tilsluttet til forsyningsnettet.

Afladede batterier bør oplades inden for 1 uge. Batteriets levetid reduceres kraftigt, hvis batteriet opbevares i afladet tilstand.

### Lad batteriet blive siddende i opladeren

Du kan lade batteripakken sidde i laderen med tændt LED, så længe det ønskes. Opladeren holder batteripakken frisk og helt opladet.

### Fejlsøgning på opladeren

Hvis opladeren registrerer et svagt eller beskadiget batteri, blinker ladeindikatoren rødt i hurtige intervaller. Udfør følgende:

- ◆ Sæt batteriet (6) i igen.

- ◆ Hvis ladeindikatoren (19) fortsætter med at blinke hurtigt rødt, skal du bruge et andet batteri til at kontrollere, om opladningen sker korrekt.
- ◆ Hvis det andet batteri lades korrekt, er det oprindelige batteri defekt og skal indleveres til genbrug på et servicecenter.
- ◆ Hvis det andet batteri giver samme fejlvisning som det oprindelige, skal laderen testes på et autoriseret servicecenter.

**Bemærk:** Det kan tage op til 60 minutter at konstatere, at batteriet er defekt.

Hvis batteriet er for varmt eller koldt, blinker lysdioden rødt skiftevis hurtigt og langsomt med et blink ved hver frekvens, hvorefter sekvensen gentages.

### Klargøring

- ◆ Rengør apparatet regelmæssigt som beskrevet i afsnittet om vedligeholdelse, og vær især opmærksom på indersiden af skjoldet (11).
- ◆ Den nederste kæbe (2) og den øverste kæbe (1) skal lukke sammen, hvis et af håndtagene slippes, eller når grenen, der saves i, er savet igennem. Hvis dette ikke sker, skal anvendelsen af værktøjet straks afbrydes, og batteriet tages af værktøjet.
- ◆ Kontroller, om bevægelsen blokeres af fremmedlegemer. Her kan det være nødvendigt at fjerne skjoldet (11). Hvis problemet fortsat er til stede efter samling af værktøjet, skal værktøjet indleveres til et autoriseret værksted.

### Sådan tændes og slukkes værktøjet

**Advarsel!** Forsøg aldrig at låse eller fastgøre en afbryderaktuator i den tændte position. Af sikkerhedsmæssige hensyn er værktøjet udstyret med et dobbelt afbrydersystem. Dette system forhindrer utilsigtet start af værktøjet.

### Sådan tændes værktøjet (fig. I)

Sørg for at have godt fat i håndtagene, og tryk derefter på begge afbryderaktuatorer (7) for at tænde apparatet.

### Sådan slukkes værktøjet (fig. I)

Slip en af afbryderne.

**Bemærkninger:** Begge afbrydere skal aktiveres, for at produktet kan bruges.

Overbelast ikke værktøjet – lad værktøjet gøre arbejdet. Værktøjet arbejder bedre og sikrere med den hastighed, det er designet til. Overdreven kraftanvendelse vil strække savkæden.

Hvis savkæden (14) eller sværdet (3) kommer i klemme:

- ◆ Slå strømmen fra.
- ◆ Tag batteriet af værktøjet.

Åbn snittet med kiler for at fjerne belastningen fra sværdet. Forsøg ikke at rykke eller vride saven fri. Sav igen et nyt sted.

## Beskæring af grene (fig. J)

Undersøg, om lokale vedtægter eller bestemmelser forbyder eller fastlægger tidsgrænser for beskæring af træer.

- ◆ Lad værktøjet køre ved fuld hastighed, før der saves.
- ◆ Hold godt fast i værktøjet for at undgå pludselig hoppen eller sideværts bevægelse af værktøjet.
- ◆ Værktøjet skal føres med et let tryk.
- ◆ Skær altid nedad oppefra. På den måde undgås det, at savkæden bliver klemt fast (14).
- ◆ Fjern grenene som vist i figur I. Start ved spidsen af grenen, og afkort den i logiske trin, lidt ad gangen.
- ◆ Fjern værktøjet fra snittet, mens det kører med fuld hastighed.

## Vedligeholdelse

Dit BLACK+DECKER-apparat/værktøj med eller uden ledning er beregnet til brug gennem lang tid med et minimum af vedligeholdelse. Vedvarende tilfredsstillende funktion er afhængig af, om apparatet plejes korrekt og rengøres regelmæssigt.

**Advarsel!** Før udførelse af nogen form for vedligeholdelse på elværktøj med/uden ledning:

- ◆ Sluk, og tag apparatets/værktøjets stik ud af stikkontakten.
- ◆ Eller sluk og fjern batteriet fra apparatet/værktøjet, hvis det har en separat batteripakke.
- ◆ Eller afslut batteriet helt, hvis det er indbygget, og sluk derefter.
- ◆ Træk opladeren ud af stikkontakten, før den rengøres. Opladeren kræver ingen vedligeholdelse, men skal rengøres jævnligt.

Rengør jævnligt apparatets/værktøjets/laderens ventilationshuller med en blød børste eller en tør klud.

Rengør med jævne mellemrum motorhuset med en fugtig klud. Der må ikke bruges skuremidler eller rengøringsmidler baseret på opløsningsmidler.

Åbn jævnligt patronen, og bank på den for at fjerne indvendigt støv (hvis monteret).

## Rengøring

- ◆ Tag jævnligt skjoldet (11) af, og fjern eventuelle fremmedlegemer, der har sat sig fast.
- ◆ Rengør regelmæssigt ventilationsåbningerne med en ren, tør pensel.
- ◆ Brug kun en mild sæbe og en fugtig klud til rengøring af værktøjet. Lad aldrig væske trænge ind i værktøjet, og nedsænk aldrig nogen del af værktøjet i væske.

## Smøring

- ◆ Smør regelmæssigt smørepunkterne (15), som det fremgår af fig. D.

## Transport

- ◆ Transporter altid værktøjet med kæberne lukket og låsen (5) i låst position.

## Slibning af savkæden

Hvis værktøjet skal yde sit bedste, er det vigtigt at holde tænderne på savkæden skarpe. Slibvejledningen findes på slibesættet. Til dette formål anbefaler vi BLACK+DECKER slibesæt til savkæder A6039 (fås hos BLACK+DECKER-forhandlere og andre udvalgte forhandlere).

## Udskiftning af slidte savkæder

Udskiftningssavkæder fås i detailhandelen eller hos BLACK+DECKER-forhandlere. Brug altid originale reservedele.

## Savkædens skarphed

Skærene på savkæden bliver øjeblikkeligt sløve, hvis de berører jorden eller et søm under savning.

## Savkædens stramning

Kontroller regelmæssigt savkædens stramning.

## Hvad du skal gøre, hvis kædesaven skal repareres

Dette værktøj overholder de relevante sikkerhedsforskrifter. Reparationer må kun foretages af en kvalificeret person, som bruger originale reservedele. I modsat fald kan der opstå betydelig fare for brugeren. Vi anbefaler, at du opbevarer denne brugsanvisning et sikkert sted.

## Opbevaring

Hvis værktøjet ikke skal bruges i en periode på flere måneder, skal metalkomponenterne aftøres med olie. Det bedste er at lade batteriet (6) forblive tilsluttet opladeren.

## Fortsæt som følger:

- ◆ Oplad batteriet helt (6).
- ◆ Tag batteriet (6) af værktøjet.
- ◆ Opbevar værktøjet og batteriet (6) på et sikkert og tørt sted. Opbevaringstemperaturen skal ligge imellem +5°C og +40°C. Anbring batteriet (6) på en jævn overflade.
- ◆ Oplad batteriet (6) helt igen, inden værktøjet tages i brug efter længere tids opbevaring.

## Miljøbeskyttelse



Særskilt bortskaftelse. Produkter og batterier kendetegnet med dette symbol må ikke bortskaftes med det normale husholdningsaffald.

Produkter og batterier indeholder materialer, der kan genindvindes eller genanvendes, hvilket reducerer efterspørgslen efter råvarer.

Genbrug venligst elektriske produkter og batterier i henhold til nationale bestemmelser. Yderligere oplysninger findes på [www.2helpU.com](http://www.2helpU.com).

## Tekniske data

		GKC1000L H3	GKC1000LB H3
Spænding	V <sub>DC</sub>	18	18
Kædehastighed (ubelastet)	min <sup>-1</sup>	1.9	1.9
Maks. skærediameter	mm	100	100
Vægt	kg	3.1	3.1

Batteri		BL2018	GKC1000LB ikke en del af leveringsomfanget
Spænding	V <sub>DC</sub>	18	
Kapacitet	Ah	2.0	
Type		Li-Ion	
Oplader		906349** TYPE 1	GKC1000LB ikke en del af leveringsomfanget
Indgangsspænding	V <sub>AC</sub>	200-240	
Udgangsspænding	V <sub>DC</sub>	8-20	
Udgangsstrømstyrke	mA	1000	
Ladetid ca.	h	2	

### Garanteret lydtrykniveau målt i overensstemmelse med EN60745:

LpA (lydtryk) 85 dB(A), usikkerhed (K) 3 dB(A)  
LwA (lydeffekt) 95 dB(A), usikkerhed (K) 2,3 dB(A)  
LwA (garanteret lydeffekt) 97 dB(A)

### Samlede værdier for vibration (triaksial vektorsum) i henhold til EN 60745:

Savning i nyfældet, blødt træ (ah) = 4,9 m/s<sup>2</sup>, usikkerhed (K) = 1,5 m/s<sup>2</sup>

## EU-overensstemmelseserklæring

### MASKINDIREKTIV

### DIREKTIV OM STØJEMMISSION FRA MASKINER TIL UDENDØRS BRUG



GKC1000L, GKC1000LB – Alligator™ kapsav

Black & Decker erklærer, at produkterne beskrevet under "Tekniske data" er i overensstemmelse med:  
EN 60745-1:2009 +A11:2010

Disse produkter er endvidere i overensstemmelse med direktiv 2006/42/EC, 2014/30/EU og 2011/65/EU.

Kontakt Black & Decker på nedenstående adresse eller se vejledningens bagside for at få yderligere oplysninger.

Undertegnede er ansvarlig for udarbejdelsen af de tekniske data og fremsætter denne erklæring på vegne af Black & Decker.

A. P. Smith  
Technical Director  
Black & Decker Europe, 210 Bath Road, Slough,  
Berkshire, SL1 3YD  
Storbritannien  
14/03/2019

The Alligator™ kapsaven er omfattet af patent- og mønsteranmeldelser i Europa, USA og andre lande verden over. ALLIGATOR er et varemærke tilhørende Black & Decker Corporation.

## Garanti

Black & Decker står inde for kvaliteten af deres produkter og tilbyder brugere en 24 måneders garanti fra købsdatoen. Garantien er et tillæg til og påvirker på ingen måde dine lovfæstede rettigheder. Garantien er gyldig inden for medlemsstaterne af Den Europæiske Union og Det Europæiske Frihandelsområde.

For at kunne gøre krav på erstatning, skal dette udføres i henhold til Black&Decker vilkår og betingelser, og det er nødvendigt at vise et købsbevis hos sælgeren eller et autoriseret værksted.

Vilkårene og betingelserne for Black&Decker 2 års garanti og oplysninger om et autoriseret værksted i nærheden kan fås på internettet hos [www.2helpU.com](http://www.2helpU.com), eller ved at kontakte din lokale Black & Decker filial på adressen, som findes i denne vejledning. Besøg venligst vores websted [www.blackanddecker.co.uk](http://www.blackanddecker.co.uk) for at registrere dit nye BLACK+DECKER produkt og modtage opdateringer om nye produkter og specielle tilbud.



## Käyttötarkoitus

BLACK+DECKER™, GKC1000L, GKC1000LB Alligator™ -oksatrimmeri on tarkoitettu puiden oksien karsimiseen, pudonneiden oksien katkaisemiseen ja pienten, halkaisijaltaan 25–100 mm:n halkojen katkaisemiseen käyttäjän seistessä maassa. Tämä työkalu on tarkoitettu vain yksityiskäyttöön.

## Turvallisuusohjeet

### Sähkötyökalujen yleiset turvavaroitukset



**Varoitus! Lue kaikki turvallisuusvaroitukset ja ohjeet.** Alla olevien varoitusten ja ohjeiden noudattamisen laiminlyönti saattaa johtaa sähköiskun, tulipalon ja/tai vakavaan loukkaantumiseen.

**Säästä kaikki varoitukset ja ohjeet tulevaa käyttöä varten.** Ohjeissa käytetty käsite "sähkötyökalu" tarkoittaa verkkokäyttöisiä sähkötyökaluja (verkkojohdolla varustettuja) ja akkukäyttöisiä sähkötyökaluja (ilman verkkojohtoa).

#### 1. Työalueen turvallisuus

- Pidä työalue puhtaana ja hyvin valaistuna.** Onnettomuuksia sattuu herkemmin epäsiistissä tai huonosti valaistussa ympäristössä.
- Älä käytä sähkötyökalua räjähdysalttiissa ympäristössä, jossa on syttyvää nestettä, kaasua tai pölyä.** Sähkötyökalujen aiheuttamat kipinät voivat sytyttää pölyn tai kaasut.
- Pidä lapset ja sivulliset loitolla sähkötyökalua käyttäessäsi.** Keskeyttymiseen herpaantuminen voi aiheuttaa hallinnan menettämisen.

#### 2. Sähköturvallisuus

- Sähkötyökalun pistokkeen on sovittava pistorasiaan. Älä koskaan tee pistokkeeseen mitään muutoksia. Älä yhdistä maadoitettua sähkötyökalua jatkojohtoon.** Sähköiskun vaara vähenee, jos pistokkeisiin ei tehdä muutoksia ja ne yhdistetään vain niille tarkoitettuihin pistorasioihin.
- Vältä koskettamasta maadoitettuja pintoja, kuten putkia, lämpöpattereita, liesiä tai jääkaappeja.** Voit saada sähköiskun, jos kehosi on maadoitettu.
- Älä altista sähkötyökalua sateelle tai kosteudelle.** Sähkötyökaluun menevä vesi lisää sähköiskun vaaraa.
- Älä käsittele virtajohtoa kovakouraisesti. Älä kannata työkaluja sähköjohdosta tai vedä pistoketta pistorasiasta sähköjohdon avulla. Pidä sähköjohto kaukana kuumuudesta, öljystä, terävistä reunoista tai liikkuvista osista.** Vaurioituneet tai sotkeutuneet johdot lisäävät sähköiskun vaaraa.

- Käyttäessäsi sähkötyökalua ulkona käytä ainoastaan ulkokäyttöön soveltuvaa jatkojohtoa.** Ulkokäyttöön tarkoitettun sähköjohdon käyttäminen vähentää sähköiskun vaaraa.
- Jos sähkötyökalua on välttämättä käytettävä kosteassa paikassa, käytä vikavirtasuojalla (RCD) suojattua virtälähdettä.** Tämä vähentää sähköiskun vaaraa.

#### 3. Henkilöturvallisuus

- Ole valpas, keskity työhön ja noudata tervettä järkeä sähkötyökalun käytössä. Älä käytä tätä työkalua ollessasi väsynyt tai alkoholin, huumeiden tai lääkkeiden vaikutuksen alaisena.** Keskeyttymisen herpaantuminen hetkeksikin sähkötyökalua käytettäessä voi aiheuttaa vakavan henkilövahingon.
- Käytä henkilökohtaisia suojavarusteita. Käytä aina suojalaseja.** Hengityssuojaimen, liukumattomien turvajalkineiden, kypärän ja kuulonsuojaimen käyttäminen vähentää henkilövahinkojen vaaraa.
- Vältä tahatonta käynnistämistä. Varmista, että kytkin on OFF-asennossa, ennen kuin liität laitteen virtalähteeseen ja/tai akkuun, nostat laitteen tai kannat sitä.** Sähkötyökalun kantaminen sormi virtakytkimellä lisää onnettomuusvaaraa.
- Irrota mahdollinen säätö- tai kiintoavain ennen kuin käynnistät sähkötyökalun.** Sähkötyökalun pyöriivään osaan kiinni jäänyt avain voi johtaa loukkaantumiseen.
- Älä kurkota.** Huolehdi siitä, että sinulla on koko ajan tukeva jalansija ja hyvä tasapaino. Näin voit hallita sähkötyökalua paremmin odottamattomissa tilanteissa.
- Käytä tarkoitukseen soveltuvia vaatteita. Älä käytä löysiä vaatteita tai koruja. Pidä hiukset, vaatteet ja kädet loitolla liikkuvista osista.** Löysät vaatteet, korut tai pitkät hiukset voivat tarttua liikkuviin osiin.
- Jos työkalun voi liittää pölynimuriin, tarkista, että liitos on tehty asianmukaisesti ja että laitteita käytetään oikealla tavalla.** Pölyn ottaminen talteen voi vähentää pölyn aiheuttamia vaaroja.
- Vaikka käyttäisit usein työkaluja ja sinulla olisi niistä hyvä tuntemus, älä jätä lukematta työkalun turvallisuusohjeita.** Huolimattomuus voi johtaa vakaviin henkilövahinkoihin jopa sekunnin murto-osassa.

#### 4. Sähkötyökalujen käyttö ja hoito

- Älä ylikuormita sähkötyökalua.** Valitse käyttötarkoituksen kannalta oikea sähkötyökalu. Sähkötyökalu toimii paremmin ja turvallisemmin, kun sitä käytetään sille suunniteltuun käyttötarkoitukseen.
- Älä käytä sähkötyökalua, jota ei voida käynnistää ja pysäyttää virtakytkimestä.** Jos sähkötyökalua ei voi hallita kytkimen avulla, se on vaarallinen ja se on korjattava.

- c. **Irrota pistotulppa pistorasiasta ja/tai akku laitteesta ennen kuin suoritat säätöjä, vaihdat tarvikkeita tai siirät sähkötyökalun varastoitavaksi.** Näin voit vähentää vahingossa käynnistymisen aiheuttaman henkilövahingon vaaraa.
- d. **Säilytä sähkötyökalut poissa lasten ulottuvilta, kun niitä ei käytetä. Älä anna sähkötyökalua sellaisen henkilön käyttöön, joka ei tunne sitä tai joka ei ole tutustunut tähän käyttöohjeeseen.** Sähkötyökalut ovat vaarallisia kouluttamattomien käyttäjien käsissä.
- e. **Hoida sähkötyökalusi huolella. Tarkista, että liikkuvat osat toimivat moitteettomasti ja etteivät ne ole puristuksessa. Tarkista myös, ettei työkalussa ei ole vauriuneita tai vahingoittuneita osia, jotka saattaisivat vaikuttaa haitallisesti sen toimintaan. Jos havaitset vaurioita, korjauta sähkötyökalu ennen niiden käyttämistä.** Huonosti kunnossapidetyt sähkötyökalut aiheuttavat onnettomuuksia.
- f. **Pidä leikkausterät terävinä ja puhtaina.** Kunnossa pidettyjen leikkaavia teräviä reunoja sisältävien työkalut todennäköisyyksi jumiutua vähenee, ja niitä on helpompi hallita.
- g. **Käytä sähkötyökaluja, tarvikkeita, vaihtoteriä yms. näiden ohjeiden mukaisesti. Ota tällöin huomioon työolosuhteet ja suoritettava toimenpide.** Jos sähkötyökalua käytetään näiden ohjeiden vastaisesti, voi syntyä vaaratilanne.
- h. **Pidä kahvat ja kädensijat kuivina ja puhtaina öljystä ja rasvasta.** Liukkaat kahvat ja kädensijat estävät työkalun turvallisen käsittelyn ja hallinnan odottamattomissa tilanteissa.

## 5. Akkutyökalun käyttö ja huolto

- a. **Lataa akku vain valmistajan määrittelemällä laturilla.** Laturi, joka on sopiva yhden tyyppiselle akulle, voi aiheuttaa tulipalon vaaran, jos sitä käytetään toisen tyyppisellä akulla.
- b. **Käytä sähkötyökalussa ainoastaan kyseiseen sähkötyökaluun tarkoitettua akkua.** Muun tyyppisen akun käyttö saattaa johtaa loukkaantumiseen ja tulipaloon.
- c. **Pidä irrallinen akku loitolla metalliesineistä, kuten paperiliittimistä, kolikoista, avaimista, nauloista, ruuveista tai muista pienistä metalliesineistä, jotka voivat aiheuttaa oikosulun akun navoissa.** Kennon pinteiden oikosulku voi aiheuttaa palovammoja tai tulipalon.
- d. **Väärin käytetystä akusta voi vuotaa nestettä. Älä kosketa sitä. Jos nesteen kanssa joutuu kosketuksiin, huuhtelee vedellä. Jos nestettä joutuu silmiin, hakeudu lisäksi lääkärin hoitoon.** Akusta roiskunut neste saattaa aiheuttaa ärsytystä tai palovammoja.
- e. **Akkua tai työkalua ei saa käyttää, jos siinä on vaurioita tai sitä on muunneltu.** Vaurioituneet tai

- muunnellut akut voivat johtaa odottamattomiin tilanteisiin ja vaarana ovat tulipalo, räjähdys ja henkilövahingot.
- f. **Suoja akku ja työkalu tulelta ja liian korkeilta lämpötiloilta.** Se voi räjähtää yli 129 °C lämpötilassa.
- g. **Noudata kaikkia latausohjeita. Akkua tai työkalua ei saa ladata ohjeissa määritetystä lämpötilavälisestä poikkeavassa lämpötilassa.** Jos akku ladataan virheellisesti tai määritetystä lämpötilavälisestä poikkeavassa lämpötilassa, seurauksena voi olla akun vaurioituminen ja tulipalovaara.

## 6. Huolto

- a. **Noudata kaikkia latausohjeita. Akkua tai työkalua ei saa ladata ohjeissa määritetystä lämpötilavälisestä poikkeavassa lämpötilassa.** Jos akku ladataan virheellisesti tai määritetystä lämpötilavälisestä poikkeavassa lämpötilassa, seurauksena voi olla akun vaurioituminen ja tulipalovaara.
- b. **Älä koskaan huolla vaurioituneita akkuja.** Ainoastaan valmistaja tai valtuutetut huoltoilikkeet saavat huoltaa akkuja.

## Sähkötyökalujen lisäturvavaroitukset



**Varoitus!** Lisäturvavaroitukset Alligator™-oksatrimmerille.

**Varoitus!** Älä käytä konetta olkapäiden tasoa korkeammalla.

Pysyttele poissa putoavien oksien, lehvistön ja roskien alta.

**Varoitus!** Älä kaada puita tällä työkalulla.

- ◆ **Jos laitteen terä voi osua piilotettuihin sähköjohtoihin tai sen omaan sähköjohtoon, tartu työkalun eristettyihin tarttumapintoihin.** Kosketus jännitteisen johtimen kanssa voi tehdä myös työkalun paljaista metalliosista jännitteisiä ja aiheuttaa sähköiskun käyttäjälle.
- ◆ **Pidä kehon osat ja vaatteet aina loitolla teräketjusta.** Varmista ennen työkalun käynnistämistä, ettei teräketju kosketa mihinkään. Jos tarkkaavaisuutesi pääsee herpaantumaan työkalun käytön aikana, esimerkiksi vaatteesi voivat takertua teräketjuun. Pidä työkalua edessäsi ja huomioi teräketjun asento etenkin katkaistessasi lähellä maanpintaa olevia oksia.
- ◆ **Suunnittele etukäteen väistämissuuntasi pois putoavien oksien ja roskien alta. Varmista, että aikomassasi väistämissuunnassa ei ole siirtymistä rajoittavia esteitä.** Muista, että märkä ruoho ja juuri irronnut puunkuori ovat liukkaita.
- ◆ **Huomioi suunta, johon oksa voi pudota.** Mieti etukäteen kaikkia putoamissuuntaan vaikuttavia tilanteita, joita ovat esimerkiksi seuraavat:
  - ◆ suunta, johon oksan pitäisi pudota
  - ◆ puun kallistuma

- ◆ poikkeuksellisen raskaat oksat tai lahot kohdat
- ◆ ympäröivät puut ja esteet, myös yli kulkevat jännitteiset johdot
- ◆ tuulen nopeus ja suunta.
- ◆ **Turvallinen etäisyys katkaistavan oksan ja sivullisten, rakennusten ja muiden rakenteiden välillä on vähintään 2,5 kertaa oksan pituus.** Putoavat oksat voivat osua tätä etäisyyttä lähempänä oleviin sivullisiin, rakennuksiin tai muihin rakenteisiin ja aiheuttaa vaaratilanteita.
- ◆ **Ole varovainen katkaistessasi jännittyneenä olevaa oksaa, sillä se saattaa ponnahtaa yllättävään suuntaan.** Kun puun kuituihin kohdistunut jännitys laukeaa, ponnahtava oksa voi osua käyttäjään ja/tai työkaluun ja aiheuttaa hallinnan menetyksen.
- ◆ Käyttäessäsi työkalua pidä aina ylläsi tilanteen edellyttämiä suojarusteita, kuten luistamattomia turvajalkineita, kypärää, suojalaseja, kuulosuojaimia ja hansikkaita.
- ◆ Varmista, että joku on lähellä (mutta turvallisen etäisyyden päässä) onnettomuuden varalta.
- ◆ Älä yritä käyttää työkalua ollessasi puussa, tikapuilla tai seistessäsi epävakaaella telineellä.
- ◆ Huolehdi siitä, että sinulla on koko ajan tukeva jalansija ja hyvä tasapaino.
- ◆ Pidä työkalusta kiinni tukevasti molemmin käsin moottorin käydessä.
- ◆ Pidä kädensijat kuivina ja puhtaina öljystä ja rasvasta. Rasvaiset tai öljyiset kahvat ovat liukkaat, ja ote heltää niistä helposti.
- ◆ Ketjun pyöriessä varo, ettei laipan kärki osu mihinkään kohteeseen.
- ◆ Pidä teräketju oikealla kireydellä. Tarkista kireys säännöllisesti moottori pysäytettyinä ja virtajohto irrotettuna.
- ◆ Aloita katkaisu ja työskentele vain ketjun pyöriessä täydellä nopeudella.
- ◆ Tarkkaile oksan liikkeitä, sillä katkaisukohtaan saattaa kohdistua voimaa, joka johtaa terän takertumiseen katkaisukohtaan.
- ◆ Ole erittäin varovainen jatkaessasi katkaisua aikaisemmin aloitetusta kohdasta. Tartu alaleuan piikeillä puusta ja jatka katkaisua vasta kun saha on saavuttanut täyden käyntinopeuden.
- ◆ Tämän työkalun käyttö muuhun kuin sille määrättyyn käyttöön saattaa johtaa vaarallisiin tilanteisiin. Käytä työkalua vain puumateriaalin katkaisuun. Älä käytä työkalua muihin tarkoituksiin. Älä katkaise sillä esimerkiksi muovi-, tiili- tai harkkomateriaaleja tai mitään rakennusmateriaalia, joka ei ole puuta.
- ◆ Jos suojukseen tai työkaluun tarttuu roskia, lopeta käyttö, irrota akku ja poista roskat.
- ◆ Uusi kulunut teräketju ja terälevy viipymättä.

- ◆ Käytä varaosina vain valmistajan suosittelemia levyjä ja ketjuja.

### Jäännösriskit

Muut kuin turvavaroituksissa mainitut riskit ovat mahdollisia työkalua käytettäessä. Nämä riskit voivat liittyä muun muassa virheelliseen tai pitkäaikaiseen käyttöön. Tiettyjä jäännösriskkejä ei voi välttää, vaikka noudat kaikkia turvamääräyksiä ja käytät turvalaitteita. Näitä ovat:

- ◆ pyörivien tai liikkuvien osien koskettamisen aiheuttamat vahingot.
- ◆ osia, teriä tai lisävarusteita vaihdettaessa aiheutuneet vahingot.
- ◆ työkalun pitkäaikaisen käytön aiheuttamat vahingot. Varmista, että pidät säännöllisesti taukoja työkalun pitkäaikaisen käytön aikana.
- ◆ Kuulon heikkeneminen.
- ◆ Työkalua käytettäessä (esimerkiksi puuta, erityisesti tammaa, pyökkiä ja MDF-levyjä käsiteltäessä) syntyneen pölyn sisäänhengityksen aiheuttamat terveysriskit.

### Tärinä

Teknisissä tiedoissa ja vaatimustenmukaisuusilmoituksessa ilmoitetut tärinäpäästöarvot on mitattu standardin EN 60745 testausmenetelmän mukaisesti, ja niiden avulla voidaan vertailla työkaluja keskenään. Ilmoitettua tärinäpäästöarvoa voi käyttää myös altistumisen alustavaan arviointiin.

**Varoitus!** Sähkötyökalun käytön aikana mitattu todellinen tärinäpäästöarvo voi poiketa ilmoitetusta tärinäpäästöarvosta työkalun käyttötavan mukaan. Tärinätasoa voi olla ilmoitettua tasoa suurempi.

Kun tärinälle altistumista arvioidaan sen määrittämiseksi, mitä direktiivin 2002/44/EY mukaisia turvatoimenpiteitä vaaditaan sähkötyökaluja säännöllisesti käyttävien henkilöiden suojelemiseksi, tärinälle altistumisen arvioinnissa on otettava huomioon todelliset käyttöolosuhteet ja työkalun käyttötavat. Todellisen käytön lisäksi on kiinnitettävä huomiota myös siihen, milloin työkalu on sammutettuna tai se käy tyhjäkäynnillä.

### Työkalun tarrat

Työkaluun on merkitty päivämääräkoodi sekä seuraavat varoitusmerkinnät:



**Varoitus!** Käyttäjän on luettava käyttöohje vahinkojen välttämiseksi.



Älä käytä sahaa sateella tai kosteassa.



Käytä aina suojalaseja.



Käytä aina kuulonsuojaimia.



Varo putoavia esineitä



Pidä sivulliset loitolla



Älä käytä tikapuita

Varmista jatkuva turvallinen toiminta tarkistamalla ketjun kireys tässä käyttöohjeessa kuvatulla tavalla aina 10 käyttöminuutin jälkeen. Säädä ketjua takaisin 3 mm:n välykseen tarpeen vaatiessa. Lisää ketjun voiteluöljyä 10 minuutin välein.



**Varoitus!** Älä pidä kättä teräketjussa lastujen poistoaukon kohdalla



Ketjun pyörimissuunta.



Direktiivin 2000/14/EY mukainen taattu ääniteho.

## Akku ja laturia koskevat lisäturvallisuusohjeet (ei toimiteta tuotteen GKC1000LB mukana)

### Akut (ei toimiteta tuotteen GKC1000LB mukana)

- Älä koskaan yritä avata mistään syystä.
- Älä anna akun kastua.
- Älä altista akkua kuumuudelle.
- Älä säilytä akkuja tiloissa, joissa lämpötila voi nousta yli 40°C:een.
- Lataa akku paikassa, jonka lämpötila on vähintään 10°C ja enintään 40 °C.
- Käytä akun lataamiseen vain laitteen mukana toimitettua laturia. Väärän tyyppinen laturi voi aiheuttaa sähköiskun tai akun ylikuumentumisen.
- Noudata akkuja hävittäessäsi kohdassa "Ympäristönsuojelu" annettuja ohjeita.
- Suojaa akkua vahingoittumiselta niin, ettei sen kotelo rikkoudu eikä siihen kohdistu iskuja, sillä muutoin voi syntyä henkilövahinkojen ja tulipalon vaara.
- Älä lataa viallisia akkuja.

**Vaativissa oloissa voi ilmetä akkuvuotoja. Jos havaitset akkujen pinnalla nestettä, pyyhi se huolellisesti pois.**

**Vältä ihokosketusta. Jos nestettä joutuu silmiin tai iholle, noudata alla olevia ohjeita.**

**Varoitus! Akkuneste voi aiheuttaa aineellisia vahinkoja tai henkilövahinkoja. Jos nestettä joutuu iholle, se on välittömästi huuhdeltava pois vedellä. Jos ihoa kirvelee tai se punottaa tai on muuten ärtynyt, kysy lisäohjeita lääkäriltä. Jos nestettä joutuu silmiin, huuhto välittömästi puhtaalla vedellä ja mene lääkäriin.**

**Laturit (ei toimiteta tuotteen GKC1000LB mukana)**  
**Varoitus! Laturi on tarkoitettu tietylle jännitteelle. Tarkista aina, että verkkojännite vastaa arvokilvessä ilmoitettua jännitettä.**

**Varoitus! Älä yritä vaihtaa laturiin tavallista verkkovirran pistoketta.**

- Käytä BLACK+DECKERin laturia vain laitteen/työkalun mukana toimitetun akun lataamiseen. Muut akut voivat räjähtää ja aiheuttaa henkilövahinkoja tai aineellisia vahinkoja.
- Älä koskaan yritä ladata akkuja, joita ei ole tarkoitettu ladattavaksi.
- Jos virtajohto vahingoittuu, sen vaihtaminen on turvallisuussyistä jätettävä valmistajan tai valtuutetun BLACK+DECKER-huoltopalvelun tehtäväksi.
- Älä altista laturia vedelle.
- Älä avaa laturia.
- Älä työhnnä mitään laturin sisään.
- Laturin on oltava lataamisen aikana paikassa, jossa on kunnollinen ilmanvaihto.

## Laturin merkit (ei toimiteta tuotteen GKC1000LB mukana)

Laturissa on seuraavat merkinnät:



Laturi on tarkoitettu ainoastaan sisäkäyttöön.



Lue käyttöohjeet huolellisesti ennen laitteen käyttöä.

## Sähköturvallisuus



Laturi on kaksoeristetty, joten erillistä maadoitusta ei tarvita. Tarkista aina, että verkkojännite vastaa arvokilvessä ilmoitettua jännitettä. Älä yritä vaihtaa laturiin tavallista verkkovirran pistoketta.

- Jos virtajohto vahingoittuu, sen vaihtaminen on turvallisuussyistä jätettävä valmistajan tai valtuutetun BLACK+DECKER-huollon tehtäväksi.

## Yleiskuvas

1. Yläleuka
2. Alaleuka
3. Terälevy

4. Voiteluöljysäiliön kansi
5. Salpa
6. Akku (ei toimiteta tuotteen GKC1000LB mukana)
7. Virtakytkimet
8. Puruaukko
9. Laturi (ei toimiteta tuotteen GKC1000LB mukana)

## Kokoonpano (akku ja laturia ei toimiteta tuotteen GKC1000LB mukana)

**Varoitus!** Irrota akku (6) aina ennen kokoamista.

## Akun kiinnittäminen ja irrottaminen (kuva A)

- ◆ Kiinnitä akku (6) asettamalla se koneen liitännän kanssa samaan linjaan. Liu'uta akku (6) liitännään, kunnes akku (6) lukittuu paikalleen.
- ◆ Irrota akku (6) painamalla vapautuspainiketta (18) samalla kun vedät akku (6) irti.

## Kahvojen avaaminen (kuva B)

- ◆ Avaa kahvat työntämällä salpa (5) taaksepäin ja vetämällä kahvat toisistaan erilleen.
- ◆ Sulje kahvat käytön jälkeen ja työnnä salpa (5) eteen lukitusasentoon. Kahvat on lukittava kuljetuksen ja säilytyksen ajaksi.

## Ketjun kireyden säätö (kuva C)

**Varoitus!** Ennen ketjun ja muiden osien säätöä varmista, että laitteen virta ei ole kytkettyä ja että akku on irrotettu.

**Varoitus!** Terälevy ja -ketju voivat olla käytön jälkeen kuumia. Anna jäähtyä ennen säätöä.

Tuote toimitetaan osat valmiiksi asennettuina. Suosittelemme teräketjun (14) kireyden ja teräsuojuksen pidäkemuttereiden tiukkuuden tarkastusta ja tarvittaessa niiden säätöä ennen laitteen käytön aloittamista.

## Teräketjun kireyden tarkastus ja säätö (kuva C)

Kiristä teräketju (14) löysäämällä ketjunsuojuksen molemmat pidäkepultit (12) työkaluvaimella (13). Ketjunkiristin työntää terälevyn (3) ulos ja säätää kireyden oikeaksi. Kiristä pidäkepultit (12) tiukasti kiinni.

Tarkasta, että kireyssäätö on oikea vetämällä teräketjusta (14) kevyesti. Kireys on oikea, kun teräketjua voi nostaa terälevystä irti 3 mm ja vapauttamisen jälkeen ketju napsahtaa takaisin vasten levyä. Teräketju (14) ei saa roikkua terälevyn (3) alapuolella.

**Huomautus:** Älä kiristä teräketjua liian tiukalle, koska tällöin levy ja teräketju kuluvat loppuun ennenaikaisesti. Lisäksi tuotteen toimintakyky heikentyy.

**Huomautus:** Käyttäessäsi tuotetta ensimmäistä kertaa ja teräketjun uusimisen jälkeen tarkista kireys säännöllisesti, koska uusi teräketju venyy hieman.

## Teräketjun ja -levyn uusiminen

Pitkän käytön jälkeen teräketjun (14) ja/tai terälevyn

(3) vaihto voi olla tarpeen. Käytä ainoastaan Black & Deckerin suosittelamia varaosia.

## Teräketjun ja -levyn irrottaminen (kuvat C ja D)



Pidä aina suojakäsineitä asentaessasi tai irrottaessasi teräketjua (8). Teräketju on terävä ja voi aiheuttaa haavan myös liikkumattomana ollessaan.

**Varoitus!** Terälevy ja -ketju voivat olla käytön jälkeen kuumia. Anna niiden jäähtyä ennen käsittelyä.

- ◆ Aseta työkalu tukevalle ja tasaiselle pinnalle.
- ◆ Irrota molemmat pidäkepultit (12) kiertämällä niitä työkaluvaimella (13) vastapäivään.
- ◆ Irrota teräsuojuus (11).
- ◆ Työnnä salpa (5) avausasentoon, avaa kahvat ja vedä yläleuka (1) taakse.
- ◆ Vedä terälevy (3) taakse ja nosta teräketju (14) irti levyn urasta. Tämän jälkeen teräketjun voi nostaa pois laitteesta.
- ◆ Nyt terälevyn (3) voi nostaa paikaltaan kallistamalla sitä etuosasta ylöspäin.

## Teräketjun ja -levyn kokoaminen (kuvat E ja F)

**Varoitus!** Pidä aina suojakäsineitä asentaessasi tai irrottaessasi teräketjua. Teräketju on terävä ja voi aiheuttaa haavan myös liikkumattomana ollessaan.

- ◆ Kokoa laite vain tukevalla ja tasaisella pinnalla.
- ◆ Työnnä salpa (5) avausasentoon, avaa kahvat ja vedä yläleuka (1) taakse.
- ◆ Työnnä terälevy (3) ketjunkiristimen välissä olevaan tilaan, kohdista se terälevyn tunnistimeen ja kallista terälevyä (3) alaspäin varmistaaksesi, että se on oikeassa paikassa.
- ◆ Aseta sahanterä (14) terälevyn (3) etuosan ympärille.
- ◆ Vedä terälevyä (3) ja teräketjua (14) taaksepäin, pujota teräketju terälevyn (3) uraan ja sitten vetopyörän (16) yli kohdistaan teräketjun hampaat oikeassa asennossa vetopyörälle.
- ◆ Asenna teräsuojuus (11) ja pidäkepultit (12). Kiristä mutterit tiukasti kiinni.
- ◆ Varmista, että teräketju (14) on asennettu työkalussa olevien merkien mukaisesti.

## Voitelu (kuva G)

- ◆ Laitteeseen on lisättävä ketjunvoiteluöljyä ennen ensimmäistä käyttökertaa ja käytön aikana kymmenen minuutin välein. (osanumero A6027) Avaa öljysäiliön kansi (4) ja aseta öljypullon kärki öljyntäyttöaukkoon (15). Lisää öljyä puristamalla pulloa yhden kerran.

- ◆ Tämä riittää normaalisti noin 10 minuutin käyttöön, mutta käyttöaika voi vaihdella katkaisunopeuden ja puun tyypin mukaan.

Öljyä kulkeutuu aukon kautta teräketjulle ja terälevylle (3). Liikaöljy voi valua leukojen alueelle. Tämä on normaalia, eikä siitä tarvitse huolestua.

## Käyttö

### Akun lataaminen (kuva H) (ei toimiteta tuotteen GKC1000LB mukana)

**Varoitus!** Älä lataa akkua alle 10 °C tai yli 40 °C asteen lämpötilassa. Suositeltava latauslämpötila on 24 °C.

**Huomautus:** Laturi ei lataa akkua, jos kennon lämpötila on liikimäärin alle 0 °C tai yli 40 °C. Akku tulee kuitenkin jättää laturiin. Laturi aloittaa lataamisen automaattisesti, kun kennon lämpötila nousee tai laskee riittävästi.

- ◆ Lataa akku (6) asettamalla se laturiin (9). Akku sopii laturiin vain yhdessä asennossa. Älä pakota.
- ◆ Varmista, että akku on asetettu kunnolla laturiin (9).
- ◆ Työnnä laturi (9) verkkovirran pistorasiaan.
- ◆ Latauksen merkkivalo (19) vilkkuu tasaisesti (hitaasti).
- ◆ Akku on ladattu, kun latauksen merkkivalo (19) palaa keskeytyksettä vihreänä.
- ◆ LED-merkkivalo alkaa vilkkua vihreänä (lataus käynnissä) ns. täydennyslatauksen ajaksi.
- ◆ Latauksen merkkivalo (19) palaa niin kauan, kuin akku on pistorasiaan liitettyssä laturissa (9).

Lataa akut yhden viikon kuluessa niiden tyhjentyemisestä. Akkujen käyttöikä lyhenee merkittävästi, jos ne jätetään tyhjiksi pitkäksi aikaa.

### Akun jättäminen laturiin

Akkua voidaan jättää laturiin, kun LED-merkkivalo palaa. Laturi ylläpitää akkua ja sen virtatasoa.

### Laturin vianmääritys

Jos laturi tunnistaa huonokuntoisen tai vioittuneen akun, latauksen merkkivalossa vilkkuu nopeasti punainen valo. Toimi seuraavasti:

- ◆ Aseta akku (6) uudelleen laturiin.
- ◆ Jos latauksen merkkivalo (19) vilkkuu edelleen nopeasti punaisena, vaihda akku, jotta saat selville, toimiiko lataus asianmukaisesti.
- ◆ Jos toinen akku latautuu normaalisti, alkuperäinen akku on viallinen ja se on vietävä Black & Deckerin huoltopisteeseen kierrätettäväksi.
- ◆ Jos toinen akku antaa saman virheilmoituksen kuin alkuperäinen, vie laturi huoltopisteeseen testattavaksi.

**Huomautus:** Akun huonon kunnon määrittäminen voi kestää 60 minuuttia. Jos akku on liian kuuma tai kylmä,

### latauksen merkkivalo vilkkuu punaisena vuoroin nopeasti ja hitaasti.

### Valmistelu

- ◆ Puhdista laite säännöllisesti huolto- ja käsittelevässä jaksossa kuvatulla tavalla. Puhdista etenkin teräsruokujen (11) sisäpuoli.
- ◆ Alaleuan (2) ja yläleuan (1) on sulkeuduttava, kun käyttäjä vapauttaa toisen kahvoista tai kun työn kohteena oleva oksa on katkaistu. Jos näin ei tapahdu, lopeta työkalun käyttö ja irrota akku työkalusta.
- ◆ Tarkista, estävätökö roskat leukojen liikkeet. Tarkistus voi edellyttää teräsruokujen (11) irrottamista. Jos ongelma ei poistu puhdistuksen ja laitteen kokoamisen jälkeen, toimita laite valtuutettuun huoltoon.

### Käynnistäminen ja sammuttaminen

**Varoitus!** Älä koskaan yritä lukita tai kiinnittää kumpaakaan virtakytkintä käyttöasentoon.

Käyttöturvallisuuden lisäämiseksi tämä työkalu on varustettu käynnistysvarmistimella. Järjestelmä estää työkalun tahattoman käynnistämisen.

### Käynnistys (kuva I)

Ota tukeva ote kahvoista ja kytke virta puristamalla kumpaakin virtakytkintä (7).

### Pysäyttäminen (kuva I)

Vapauta jompikumpi virtakytkimistä.

**Huomautukset:** Laitteen käynnistys ja käyttö edellyttää kummankin virtakytkimen samanaikaista painamista. Älä ylikuormita laitetta – anna sen tehdä työ. Laite toimii paremmin ja turvallisemmin sille suunnitellulla nopeudella. Liiallinen voimankäyttö venyttää teräketjua. Jos teräketju (14) tai -levy (3) juuttuu:

- ◆ Sammuta työkalu.
- ◆ Irrota akku työkalusta.

Hellitä terälevyvyn kohdistuva puristus avaamalla kiilaterä.

Älä yritä vapauttaa sahaa vääntämällä. Aloita oksan katkaiseminen uudelleen toisesta kohdasta.

### Oksien karsiminen (kuva J)

Varmista etukäteen, että paikalliset asetukset tai säädökset eivät rajoita puun oksien karsimista.

- ◆ Ennen varsinaista katkaisuvaihetta anna työkalun toimia täydellä nopeudella.
- ◆ Pidä työkalusta kiinni tukevasti molemmin käsin, jotta se ei pääse ponnahtelemaan tai liikkumaan sivusuunnassa.
- ◆ Ohjaa työkalun liikkeitä kevyesti painaen.
- ◆ Aloita katkaisu aina oksan yläpuolelta. Näin vältetään teräketjun (14) juuttuminen.
- ◆ Karsi oksat kuvassa I esitetyllä tavalla. Aloita oksan karsijasta ja lyhennä oksaa tasaisin välein.

- ◆ Poista työkalu katkaisukohdasta moottorin käydessä täydellä nopeudella.

## Huolto

Verkkojohdolla varustettu tai verkkojohdoton BLACK+DECKER-laite on suunniteltu toimimaan mahdollisimman kauan mahdollisimman vähällä huollolla. Oikea käsittely ja säännöllinen puhdistus varmistavat laitteen ongelmattoman toiminnan.

**Varoitus!** Ennen verkkojohdolla varustetun tai verkkojohdoton sähkötyökalun huoltoa toimi seuraavasti:

- ◆ Sammuta laite/työkalu ja irrota se verkkovirrasta.
- ◆ Jos laitteessa/työkalussa on erillinen akku, sammuta laite/työkalu ja irrota sen akku.
- ◆ Jos akku on kiinteä, käytä akku täysin loppuun ja sammuta laite/työkalu sitten.
- ◆ Irrota laturi pistorasiasta ennen laturin puhdistamista. Laturi ei tarvitse säännöllisen puhdistamisen lisäksi mitään muuta huoltoa.

Puhdista laitteen/työkalun/laturin ilma-aukot säännöllisesti pehmeällä harjalla tai kuivalla kangasiinalla.

Puhdista moottorikotelo säännöllisesti kostealla liinalla. Älä käytä hankaavia tai liuotinpohjaisia puhdistusaineita.

Avaa istukka säännöllisesti ja naputtele pöly pois sen sisältä (soveltuvin osin).

## Puhdistaminen

- ◆ Irrota teräsuojus (11) säännöllisesti ja poista kaikki sen alle jääneet roskat.
- ◆ Puhdista ilma-aukot puhtaalla, kuivalla maalisiveltimellä.
- ◆ Käytä työkalun puhdistukseen vain mietoa saippualluosta ja kosteaa riepua. Älä koskaan päästä nestettä valumaan työkalun sisään äläkä upota mitään työkalun osaa nesteeseen.

## Voitelu

- ◆ Öljyä kuvan D mukaiset voitelukohteet (15) säännöllisesti.

## Kuljetus

- ◆ Kuljeta työkalua aina leuat kiinni ja salpa (5) lukitussa asennossa.

## Teräketjun teroittaminen

Jotta saha toimisi parhaalla mahdollisella tavalla, ketjun hampaat on pidettävä terävinä. Teroitinpaketissa on ohjeet tähän. Suosittelemme BLACK+DECKERin teräketjun teroituspaketin A6039 hankkimista (saatavana BLACK+DECKERin valtuutetuista huoltoliikkeistä ja jälleenmyyjiltä).

## Kuluneen teräketjun vaihtaminen

Teräketjuja on saatavana BLACK+DECKERin valtuutetuista huoltoliikkeistä ja jälleenmyyjiltä. Käytä aina vain alkuperäisiä varaosia.

## Teräketjun terävyys

Ketjun leikkuuterät tylsyvät heti, jos ne sahattaessa osuvat maahan tai naulaan.

## Teräketjun kireys

Tarkista teräketjun kireys säännöllisesti.

## Mitä tehdä, jos ketjusaha vaatii korjausta

Työkalu täyttää asianmukaisten turvaohjeiden vaatimukset. Korjauksia saa tehdä vain Black & Deckerin valtuuttama huoltoliike, joka käyttää alkuperäisosa, muutoin koneen käyttäjälle voi aiheuta vaaratilanteita. Suosittelemme tämän käyttöohjeen säilyttämistä turvallisessa paikassa.

## Säilytys

Kun työkalua ei ole tarkoitus käyttää pitkään aikaan, pyyhi kaikki metalliosat öljytyllä kankaalla. Jos mahdollista, anna akun (6) olla liitettynä laturiin.

## Toimi seuraavasti:

- ◆ Lataa akku (6) täyteen.
- ◆ Poista akku (6) työkalusta.
- ◆ Säilytä työkalua ja akkua (6) turvallisessa ja kuivassa paikassa. Säilytyspaikan lämpötilan täytyy aina olla +5°C - +40°C. Aseta akku (6) tasaiselle alustalle.
- ◆ Lataa akku (6) täyteen, ennen kuin käytät työkalua pitkäaikaisen säilytyksen jälkeen.

## Ympäristönsuojelu



Toimita tämä laite erilliskeräykseen. Tällä symbolilla merkityjä tuotteita ja akkuja ei saa hävittää normaalin kotitalousjätteen mukana.

Tuotteissa ja akuissa on materiaaleja, jotka voidaan ottaa talteen tai kierrättää uudelleen käyttöä varten.

Kierrätä sähkölaitteet ja akut paikallisten määräyksien mukaisesti. Lisätietoa on saatavilla osoitteessa [www.2helpU.com](http://www.2helpU.com).

## Tekniset tiedot

		GKC1000L H3	GKC1000LB H3
Jännite	V <sub>DC</sub>	18	18
Ketjun nopeus (kuormittamattomana)	min <sup>-1</sup>	1,9	1,9
Suurin sallittu katkaisupaksuus	mm	100	100
Paino	kg	3,1	3,1

Akku		BL2018	GKC1000LB ei kuulu pakkaukseen
Jännite	V <sub>DC</sub>	18	
Teho	Ah	2,0	
Tyyppi		Li-Ion	
Laturi		906349** TYYPPI 1	GKC1000LB ei kuulu pakkaukseen
Tulojännite	V <sub>AC</sub>	200-240	
Lähtöjännite	V <sub>DC</sub>	8-20	
Latausvirta	mA	1000	
Arvioitu latausaika	h	2	

## Taattu äänenpainetaso, mitattu standardin EN60745 mukaisesti:

LpA (äänepaine) 85 dB(A), epävarmuus (K) 3 dB(A)  
 LwA (ääniteho) 95 dB(A), epävarmuus (K) 2,3 dB(A)  
 LwA (taattu ääniteho) 97 dB(A)

## Tärinän kokonaisarvot (vektorisumma) standardin EN 60745 mukaisesti:

Juuri kaadetun pehmeän puun katkaiseminen (ah) = 4,9 m/s<sup>2</sup>, epävarmuus (K) = 1,5 m/s<sup>2</sup>

Allekirjoittanut vastaa teknisten tietojen kokoamisesta tehden tämän ilmoituksen Black & Deckerin puolesta.



A. P. Smith  
 Technical Director  
 Black & Decker Europe, 210 Bath Road, Slough,  
 Berkshire, SL1 3YD  
 Iso-Britannia  
 14/03/2019

Alligator™-oksatrimmeri on suojattu patenteilla ja tuotesuojoilla Euroopassa, Yhdysvalloissa ja muissa maissa. ALLIGATOR on Black & Decker Corporationin tavaramerkki.

## Takuu

Black & Decker on vakuuttanut tuotteidensa korkeasta laadusta ja tarjoaa kuluttajille 24 kuukauden takuun, joka astuu voimaan ostopäivänä. Takuu on lisäys kuluttajan laillisiin oikeuksiin eikä vaikuta niihin. Tämä takuu on voimassa kaikissa EU- ja ETA-maissa.

Edellytyksenä takuun saamiselle on, että vaade täyttää Black & Deckerin ehdot ja että ostaja toimittaa ostotositteen jälleenmyyjälle tai valtuutetulle huoltoilikeelle. Black & Deckerin kahden vuoden takuun ehdot ja lähimmän valtuutetun korjauspalvelun yhteyshetimit ovat saatavilla osoitteessa [www.2helpU.com](http://www.2helpU.com) tai ottamalla yhteyttä paikalliseen Black & Deckerin toimipisteeseen tässä ohjekirjassa ilmoitettuihin osoitteisiin.

Käy verkkosivuillamme osoitteessa [www.blackanddecker.fi](http://www.blackanddecker.fi) ja rekisteröi uusi Black & Decker -tuotteisi saadaksesi tietoa uusista tuotteista ja erikoistarjouksista.

## EY-vaatimustenmukaisuusvakuutus

KONEDIREKTIIVI

ULKOILMAMELUDIREKTIIVI



GKC1000L, GKC1000LB – Alligator™-oksatrimmeri

Black & Decker ilmoittaa, että tuotteet, jotka on kuvattu kohdassa Tekniset tiedot, täyttävät seuraavien direktiivien vaatimukset:

EN 60745-1:2009 +A11:2010

Nämä tuotteet täyttävät myös direktiivien 2006/42/EY, 2014/30/EU ja 2011/65/EU vaatimukset.

Lisätietoja saa ottamalla yhteyden Black & Deckeriin seuraavassa osoitteessa. Tiedot ovat myös käyttöohjeen takakannessa.



## Προβλεπόμενη χρήση

Το κλαδευτήρι σας BLACK+DECKER™, GKC1000L, GKC1000LB Alligator™ έχει σχεδιαστεί για το κλάδεμα θάμνων και δέντρων, για την κοπή κλαδιών που έχουν πάσει και για την κοπή μικρών κορμών διαμέτρου 25 mm έως 100 mm, ενώ ο χειριστής στέκεται στο έδαφος. Αυτό το εργαλείο προορίζεται μόνο για καταναλωτική χρήση.

## Οδηγίες ασφαλείας

### Γενικές προειδοποιήσεις ασφαλείας για ηλεκτρικά εργαλεία



**Προειδοποίηση!** Διαβάστε όλες τις προειδοποιήσεις ασφαλείας και όλες τις οδηγίες. Η μη τήρηση των παρακάτω προειδοποιήσεων και οδηγιών μπορεί να προκαλέσει ηλεκτροπληξία, πυρκαγιά και/ή σοβαρές σωματικές βλάβες.

**Φυλάξτε όλες τις προειδοποιήσεις και τις οδηγίες για μελλοντική αναφορά.** Ο όρος "ηλεκτρικό εργαλείο" που χρησιμοποιείται σε όλες τις παρακάτω προειδοποιήσεις, αναφέρεται είτε σε εργαλείο που λειτουργεί με ρεύμα δικτύου (ρεύματος - με καλώδιο) είτε σε εργαλείο που λειτουργεί με μπαταρία (μπαταρίας - χωρίς καλώδιο).

#### 1. Ασφάλεια χώρου εργασίας

- α. **Διατηρείτε το χώρο εργασίας καθαρό και καλά φωτισμένο.** Οι ατακτοποιητοί ή σκοτεινοί χώροι γίνονται αιτίες ατυχημάτων.
- β. **Μη χρησιμοποιείτε ηλεκτρικά εργαλεία σε περιβάλλον όπου υπάρχει κίνδυνος έκρηξης, όπως με παρουσία εύφλεκτων υγρών, αερίων ή σκόνης.** Τα ηλεκτρικά εργαλεία παράγουν σπινθήρες που μπορεί να προκαλέσουν ανάφλεξη της σκόνης ή των αναθυμιάσεων.
- γ. **Όταν χρησιμοποιείτε ηλεκτρικό εργαλείο, κρατάτε μακριά τα παιδιά και άλλα άτομα.** Παράγοντες που αποσπούν την προσοχή μπορεί να σας κάνουν να χάσετε τον έλεγχο.

#### 2. Ασφαλής χρήση ηλεκτρικού ρεύματος

- α. **Τα φια των ηλεκτρικών εργαλείων πρέπει να ταυρίζουν στην πρίζα. Σε καμία περίπτωση μην τροποποιήσετε το φως, με κανένα τρόπο. Μη χρησιμοποιείτε φως προσαρμογής με γειωμένα ηλεκτρικά εργαλεία.** Τα φια που δεν έχουν υποστεί τροποποιήσεις και οι κατάλληλες πρίζες μειώνουν τον κίνδυνο ηλεκτροπληξίας.
- β. **Αποφεύγετε την επαφή του σώματός σας με γειωμένες επιφάνειες, όπως σωλήνες, καλοριφέρ, κουζίνες και ψυγεία.** Υπάρχει αυξημένος κίνδυνος ηλεκτροπληξίας αν το σώμα σας είναι γειωμένο.

- γ. **Μην εκθέτετε τα ηλεκτρικά εργαλεία σε βροχή ή υγρασία.** Η διείσδυση νερού σε ένα ηλεκτρικό εργαλείο αυξάνει τον κίνδυνο ηλεκτροπληξίας.
- δ. **Μην κακομεταχειρίζεστε το καλώδιο. Μη χρησιμοποιείτε ποτέ το καλώδιο για να μεταφέρετε το εργαλείο, να το τραβήξετε ή να το αποσυνδέσετε από την πρίζα. Κρατάτε το καλώδιο μακριά από θερμότητα, λάδια, αιχμηρά άκρα ή κινούμενα μέρη.** Τα καλώδια που έχουν υποστεί ζημιά ή είναι μπερδεμένα αυξάνουν τον κίνδυνο ηλεκτροπληξίας.
- ε. **Όταν χρησιμοποιείτε ηλεκτρικό εργαλείο σε εξωτερικούς χώρους, να χρησιμοποιείτε πάντοτε καλώδιο επέκτασης κατάλληλο για εργασία σε εξωτερικούς χώρους.** Η χρήση καλωδίου κατάλληλου για εργασία σε εξωτερικούς χώρους μειώνει τον κίνδυνο ηλεκτροπληξίας.
- στ. **Εάν είναι αναπόφευκτη η χρήση ενός ηλεκτρικού εργαλείου σε συνθήκες υγρασίας, χρησιμοποιήστε μια διάταξη προστασίας από ρεύμα διαρροής (RCD).** Η χρήση μιας διάταξης RCD μειώνει τον κίνδυνο ηλεκτροπληξίας.

#### 3. Προσωπική ασφάλεια

- α. **Όταν χρησιμοποιείτε ηλεκτρικό εργαλείο, να είστε σε εγρήγορση, να συγκεντρώνεστε στην εργασία που κάνετε και να επιστρατεύετε την κοινή λογική. Μη χρησιμοποιείτε ηλεκτρικό εργαλείο όταν είστε κουρασμένος/ή ή υπό την επήρεια ναρκωτικών, οινοπνεύματος ή φαρμακευτικής αγωγής.** Μια στιγμή απροσεξίας κατά τη χρήση ηλεκτρικών εργαλείων μπορεί να προκαλέσει σοβαρό τραυματισμό.
- β. **Να χρησιμοποιείτε ατομικό εξοπλισμό προστασίας. Πάντα φοράτε προστασία ματιών.** Ο εξοπλισμός προστασίας, όπως μάσκα κατά της σκόνης, αντιοιολιθητικά παπούτσια ασφαλείας, κράνος ή προστασία ακοής, όταν χρησιμοποιείται για τις κατάλληλες συνθήκες, θα μειώσει τους τραυματισμούς και τις σωματικές βλάβες.
- γ. **Αποτρέπετε την ακούσια ενεργοποίηση. Βεβαιωθείτε ότι ο διακόπτης βρίσκεται στη θέση απενεργοποίησης, πριν συνδέσετε το εργαλείο στην πηγή ρεύματος και/ή τοποθετήσετε το πακέτο μπαταρίας, καθώς και πριν πάρετε στα χέρια σας ή μεταφέρετε το εργαλείο.** Η μεταφορά ηλεκτρικών εργαλείων με το δάχτυλο πάνω στο διακόπτη ή η σύνδεση στο ρεύμα ηλεκτρικών εργαλείων με το διακόπτη στη θέση ενεργοποίησης, ενέχει κινδύνους ατυχημάτων.
- δ. **Πριν θέσετε το ηλεκτρικό εργαλείο σε λειτουργία, αφαιρέστε τυχόν εργαλεία ή κλειδιά ρύθμισης.** Εάν αφήσετε ένα εργαλείο ή κλειδί πάνω σε κάποιο περιστρεφόμενο εξάρτημα του ηλεκτρικού εργαλείου, μπορεί να προκληθούν τραυματισμοί.

- ε. Μην τεντώνεστε υπερβολικά. Διατηρείτε πάντα σταθερή στήριξη στα πόδια σας και καλή ισορροπία.** Έτσι μπορείτε να έχετε καλύτερο έλεγχο του ηλεκτρικού εργαλείου σε μη αναμενόμενες καταστάσεις.
- στ. Φοράτε κατάλληλη ενδυμασία εργασίας. Μη φοράτε φαρδιά ρούχα ούτε κοσμήματα. Κρατάτε τα μαλλιά, τα ρούχα και τα γάντια σας μακριά από κινούμενα μέρη.** Τα χαλαρά ρούχα, τα κοσμήματα και τα μακριά μαλλιά μπορούν να πιαστούν σε κινούμενα μέρη.
- ζ. Αν παρέχονται διατάξεις για τη σύνδεση συστημάτων απομάκρυνσης και συλλογής της σκόνης, βεβαιωθείτε ότι αυτές είναι συνδεδεμένες και χρησιμοποιούνται σωστά.** Η χρήση διατάξεων συλλογής της σκόνης μπορεί να μειώσει τους κινδύνους που προέρχονται από τη σκόνη.
- η. Μην αφήνετε την εξοικείωση που έχετε αποκτήσει από τη συχνή χρήση εργαλείων να σας επιτρέψει να εφησυχάσετε ώστε να αγνοείτε τις αρχές ασφαλούς χρήσης των εργαλείων.** Μια απρόσεκτη ενέργεια μπορεί να προκαλέσει βαρύ τραυματισμό μέσα σε κλάσματα του δευτερολέπτου.
- 4. Χρήση και φροντίδα ηλεκτρικών εργαλείων**
- α. Μην υπερφορτώνετε το ηλεκτρικό εργαλείο.** Χρησιμοποιείτε το σωστό ηλεκτρικό εργαλείο για την εφαρμογή σας. Το σωστό ηλεκτρικό εργαλείο θα εκτελέσει την εργασία καλύτερα και ασφαλέστερα, με την ένταση χρήσης για την οποία σχεδιάστηκε.
- β. Μη χρησιμοποιήσετε το ηλεκτρικό εργαλείο αν ο διακόπτης του δεν μπορεί να ενεργοποιεί και απενεργοποιεί.** Ένα ηλεκτρικό εργαλείο του οποίου η λειτουργία δεν μπορεί να ελεγχθεί με το διακόπτη είναι επικίνδυνο και πρέπει να επισκευαστεί.
- γ. Αποσυνδέστε τη φάση από την πηγή ρεύματος και/ή το πακέτο μπαταρίας από το ηλεκτρικό εργαλείο, πριν διεξαγάγετε οποιαδήποτε ρύθμιση, αλλαγή αξεσουάρ ή όταν πρόκειται να αποθηκεύσετε το ηλεκτρικό εργαλείο.** Τέτοια προληπτικά μέτρα ασφαλείας μειώνουν το κίνδυνο αθέλητης εκκίνησης του ηλεκτρικού εργαλείου.
- δ. Να φυλάσσετε μακριά από παιδιά τα ηλεκτρικά εργαλεία που δεν χρησιμοποιείτε. Μην αφήνετε να χρησιμοποιήσουν ηλεκτρικό εργαλείο άτομα που δεν είναι εξοικειωμένα με αυτό ή άτομα που δεν έχουν διαβάσει αυτές τις οδηγίες χρήσης.** Τα ηλεκτρικά εργαλεία είναι επικίνδυνα στα χέρια μη εκπαιδευμένων χρηστών.
- ε. Να συντηρείτε τα ηλεκτρικά εργαλεία. Ελέγχετε για προβλήματα ευθυγράμμισης ή για μάγκωμα των κινούμενων εξαρτημάτων, θραύση εξαρτημάτων, καθώς και για οποιοδήποτε άλλο πρόβλημα μπορεί να επηρεάσει τη λειτουργία των ηλεκτρικών εργαλείων. Αν το ηλεκτρικό εργαλείο έχει υποστεί ζημιά, φροντίστε να επισκευαστεί πριν το χρησιμοποιήσετε.** Η ανεπαρκής συντήρηση των ηλεκτρικών εργαλείων αποτελεί αιτία πολλών ατυχημάτων.
- στ. Διατηρείτε τα κοπτικά εργαλεία κοφτερά και καθαρά.** Τα κοπτικά εργαλεία με κοφτερές κοπτικές αιχμές που συντηρούνται σωστά έχουν λιγότερες πιθανότητες να μαγκώσουν και ελέγχονται ευκολότερα.
- ζ. Να χρησιμοποιείτε το ηλεκτρικό εργαλείο, τα αξεσουάρ και τις μύτες του εργαλείου κλπ. σύμφωνα με τις παρούσες οδηγίες, λαμβάνοντας υπόψη σας τις συνθήκες εργασίας και την εργασία που θέλετε να εκτελέσετε.** Η χρήση του ηλεκτρικού εργαλείου για εργασίες διαφορετικές από τις προβλεπόμενες θα μπορούσε να οδηγήσει σε επικίνδυνη κατάσταση.
- η. Διατηρείτε τις λαβές και τις επιφάνειες κρατήματος στεγνές, καθαρές και απαλλαγμένες από λάδι και γράσο.** Οι ολισθηρές λαβές και επιφάνειες κρατήματος δεν επιτρέπουν τον ασφαλή χειρισμό και έλεγχο του εργαλείου σε μη αναμενόμενες καταστάσεις.
- 5. Χρήση και φροντίδα εργαλείων μπαταρίας**
- α. Να επαναφορτίζετε μόνο με το φορτιστή που καθορίζει ο κατασκευαστής.** Ένας φορτιστής που είναι κατάλληλος για ένα τύπο πακέτου μπαταρίας μπορεί να δημιουργήσει κίνδυνο πυρκαγιάς όταν χρησιμοποιείται με άλλο πακέτο μπαταρίας.
- β. Χρησιμοποιείτε τα ηλεκτρικά εργαλεία αποκλειστικά και μόνο με τα καθοριζόμενα πακέτα μπαταριών.** Η χρήση άλλων πακέτων μπαταριών μπορεί να προκαλέσει κίνδυνο τραυματισμού και πυρκαγιάς.
- γ. Όταν το πακέτο μπαταρίας δεν χρησιμοποιείται, κρατάτε το μακριά από άλλα μεταλλικά αντικείμενα, όπως συνδετήρες, κέρματα, κλειδιά, καρφιά, βίδες ή άλλα μικρά μεταλλικά αντικείμενα που μπορούν να βραχυκυκλώσουν τους δύο ακροδέκτες του.** Αν βραχυκυκλωθούν οι ακροδέκτες της μπαταρίας, μπορεί να προκληθούν εγκαύματα ή πυρκαγιά.
- δ. Αν οι μπαταρίες υποστούν κακομεταχείριση, μπορεί να διαρρεύσει υγρό. Αποφύγετε την επαφή. Αν κατά λάθος έρθετε σε επαφή, ξεπλύνετε με νερό. Σε περίπτωση που το υγρό έλθει σε επαφή με τα μάτια σας, ζητήστε επιπλέον και ιατρική βοήθεια.** Το υγρό που εξέρχεται από την μπαταρία μπορεί να προκαλέσει ερεθισμούς ή εγκαύματα.
- ε. Μη χρησιμοποιήσετε πακέτο μπαταρίας ή εργαλείο που έχει υποστεί ζημιά ή τροποποίηση.** Οι μπαταρίες που έχουν υποστεί ζημιά ή τροποποίηση μπορεί να έχουν απρόβλεπτη συμπεριφορά, με αποτέλεσμα φωτιά, έκρηξη ή κίνδυνο τραυματισμού.
- στ. Μην εκθέσετε ένα πακέτο μπαταρίας ή εργαλείο σε φωτιά ή υπερβολική θερμοκρασία.** Η έκθεση σε φωτιά ή σε θερμοκρασία πάνω από 129 °C μπορεί να προκαλέσει έκρηξη.

ζ. Τηρείτε όλες τις οδηγίες φόρτισης και μη φορτίζετε το πακέτο μπαταρίας ή το εργαλείο εκτός των ορίων θερμοκρασίας που ορίζονται στις προδιαγραφές. Η ακατάλληλη φόρτιση ή η φόρτιση σε θερμοκρασίες εκτός των προβλεπόμενων ορίων μπορεί να προξενήσει ζημιά στην μπαταρία και να αυξήσει τον κίνδυνο φωτιάς.

## 6. Σέρβις

ζ. Τηρείτε όλες τις οδηγίες φόρτισης και μη φορτίζετε το πακέτο μπαταρίας ή το εργαλείο εκτός των ορίων θερμοκρασίας που ορίζονται στις οδηγίες. Η ακατάλληλη φόρτιση ή η φόρτιση σε θερμοκρασίες εκτός των προβλεπόμενων ορίων μπορεί να προξενήσει ζημιά στην μπαταρία και να αυξήσει τον κίνδυνο φωτιάς.

β. **Ποτέ μην κάνετε σέρβις σε πακέτα μπαταριών που έχουν υποστεί ζημιά.** Το σέρβις των πακέτων μπαταριών πρέπει να γίνεται μόνο από τον κατασκευαστή ή από εξουσιοδοτημένους παρόχους σέρβις.

## Πρόσθετες προειδοποιήσεις ασφαλείας για ηλεκτρικά εργαλεία



**Προειδοποίηση!** Πρόσθετες προειδοποιήσεις ασφαλείας για το κλαδευτήρι Alligator™.

**Προειδοποίηση!** Μη χρησιμοποιείτε ποτέ το εργαλείο κρατώντας το πάνω από το ύψος του ώμου. Να στέκεστε πάντα μακριά από την κατεύθυνση πτώσης των κλαδιών και άλλων σωμάτων.

**Προειδοποίηση!** Μη χρησιμοποιείτε αυτό το εργαλείο για την κοπή δέντρων.

- ◆ **Κρατάτε το ηλεκτρικό εργαλείο από μονωμένες επιφάνειες λαβής όταν εκτελείτε μια εργασία όπου το εργαλείο κοπής μπορεί να έρθει σε επαφή με κρυφές καλωδιώσεις ή με το ίδιο του το καλώδιο.** Η επαφή με ένα καλώδιο υπό τάση θα θέσει και τα μεταλλικά μέρη του ηλεκτρικού εργαλείου υπό τάση και προκαλεί ηλεκτροπληξία στον χειριστή.
- ◆ **Διατηρείτε πάντοτε τα μέλη του σώματός σας και τα ενδύματά σας μακριά από την αλυσίδα του πριονιού.** Πριν να θέσετε σε λειτουργία το εργαλείο, φροντίστε η αλυσίδα του πριονιού να μη βρίσκεται σε επαφή με οποιοδήποτε αντικείμενο. Μια στιγμιαία απροσεξία κατά το χειρισμό του εργαλείου μπορεί να οδηγήσει στην εμπλοκή του αλυσοπριονιού με τα ρούχά ή το σώμα σας. Να κρατάτε το εργαλείο μπροστά σας και να προσέχετε τη θέση της αλυσίδας του πριονιού, ιδιαίτερα κατά την κοπή κλαδιών που βρίσκονται κοντά στο έδαφος.
- ◆ **Σχεδιάστε εκ των προτέρων μια ασφαλή διαδρομή απομάκρυνσης από κλαδιά και άλλα κομμάτια που θα πέσουν. Βεβαιωθείτε ότι στη διαδρομή απομάκρυνσης δε θα υπάρχουν εμπόδια που θα καθιστούσαν αδύνατη ή θα δυσκόλευαν την κίνηση.**

Έχετε υπόψη ότι το υγρό γρασιδι και ο φλοιός δέντρου που έχει κοπεί πρόσφατα είναι ολισθηρά.

- ◆ **Καθορίστε την κατεύθυνση προς την οποία μπορεί να πέσει ένα κλαδί. Λάβετε υπόψη όλους τους παράγοντες που ενδέχεται να επηρεάσουν την κατεύθυνση της πτώσης, όπως είναι μεταξύ άλλων:**
  - ◆ Της επιθυμητής κατεύθυνσης της πτώσης.
  - ◆ Της φυσικής κλίσης του κλαδιού.
  - ◆ Οποιοδήποτε δομικού χαρακτηριστικού του κλαδιού με μεγάλο βάρος ή τυχόν σημείου σήψης.
  - ◆ Των γύρω δέντρων και εμποδίων, συμπεριλαμβανομένων των αναρτημένων καλωδίων.
  - ◆ Της ταχύτητας και της διεύθυνσης του ανέμου.
- ◆ **Η ασφαλής απόσταση ενός προς κοπή κλαδιού από άτομα, κτίρια ή άλλα αντικείμενα ισούται τουλάχιστον με 2 1/2 φορές το μήκος του κλαδιού.** Οποιοδήποτε άτομο, κτίριο ή αντικείμενο που βρίσκεται σε μικρότερη απόσταση κινδυνεύει να πληγεί από το κλαδί που θα πέσει.
- ◆ **Κατά την κοπή ενός κλαδιού που έχει καμφθεί, προσέξτε το ενδεχόμενο επαναφοράς του.** Όταν πάψει να ασκείται πίεση στις ίνες του ξύλου, το κλαδί που βρισκόταν σε κάμψη ενδέχεται να κτυπήσει το χειριστή ή/και το εργαλείο, με αποτέλεσμα την απώλεια του ελέγχου του.
- ◆ Να φοράτε πάντα τον κατάλληλο προστατευτικό εξοπλισμό, όπως αντολισθητικά παπούτσια ασφαλείας, κράνος, προστατευτικά γυαλιά, ωτασπίδες και γάντια, κατά το χειρισμό του εργαλείου.
- ◆ Βεβαιωθείτε πως υπάρχει κάποιος κοντά (αλλά σε απόσταση ασφαλείας) για την περίπτωση ατυχήματος.
- ◆ Μην επιχειρήσετε να χρησιμοποιήσετε το εργαλείο όταν στέκεστε πάνω σε δέντρο, σε σκάλα ή σε οποιαδήποτε άλλη ασταθή επιφάνεια.
- ◆ Διατηρείτε πάντα σταθερή στήριξη στα πόδια σας και καλή ισορροπία.
- ◆ Κρατάτε σταθερά το εργαλείο και με τα δύο χέρια, όταν το μοτέρ βρίσκεται σε λειτουργία.
- ◆ Φροντίστε οι λαβές να είναι στεγνές, καθαρές και χωρίς λάδια ή γράσα. Οι λερωμένες με γράσο ή λάδι λαβές γλιστρούν, με αποτέλεσμα την απώλεια του ελέγχου.
- ◆ Μην επιτρέψετε να έλθει σε επαφή η κινούμενη αλυσίδα με οποιοδήποτε αντικείμενο στο άκρο της μπάρας οδηγού.
- ◆ Διατηρείτε τη σωστή τάνυση της αλυσίδας του πριονιού. Ελέγχετε την τάνυση σε τακτά διαστήματα, ενώ το μοτέρ δεν λειτουργεί και το καλώδιο είναι αποσυνδεδεμένο.
- ◆ Ξεκινήστε και συνεχίστε την κοπή κάποιου αντικειμένου μόνο εφόσον η αλυσίδα κινείται με τη μέγιστη ταχύτητα.
- ◆ Προσέχετε για τυχόν κλαδιά που μετακινούνται ή για άλλες δυνάμεις που θα μπορούσαν να κλείσουν μια τμήμα και να μαγκώσουν την αλυσίδα ή να πέσουν σε αυτήν.

- ◆ Να είστε ιδιαίτερα προσεκτικοί όταν τοποθετείτε ξανά το εργαλείο σε μια προηγούμενη τομή. Φέρτε σε επαφή με το ξύλο τις προεξοχές της κάτω σιαγόνας και περιμένετε μέχρι η αλυσίδα να αναπτύξει τη μέγιστη ταχύτητά της πριν να πραγματοποιήσετε την κοπή.
- ◆ Η χρήση αυτού του εργαλείου για εργασίες για τις οποίες δεν προορίζεται ενδέχεται να δημιουργήσει επικίνδυνες καταστάσεις. Το εργαλείο προορίζεται αποκλειστικά για την κοπή ξύλου. Μην το χρησιμοποιείτε για εργασίες για τις οποίες δεν προορίζεται - για παράδειγμα - μην χρησιμοποιείτε το εργαλείο για την κοπή πλαστικού, υλικών τοιχοποιίας ή οικοδομικών υλικών που δεν αποτελούνται από ξύλο.
- ◆ Εάν πιστούν ξένα σώματα στο προστατευτικό κάλυμμα ή στο εργαλείο, διακόψτε τη λειτουργία, αφαιρέστε την μπαταρία και καθαρίστε τα ξένα σώματα.
- ◆ Αλυσίδες και ράβδοι οδήγησης αλυσίδας που έχουν φθαρεί πρέπει να αντικαθίστανται.
- ◆ Χρησιμοποιείτε αποκλειστικά τις ανταλλακτικές ράβδους και αλυσίδες που καθορίζονται από τον κατασκευαστή.

### Υπολειπόμενοι κίνδυνοι

Κατά τη χρήση του εργαλείου μπορεί να δημιουργηθούν πρόσθετοι υπολειπόμενοι κίνδυνοι, οι οποίοι ενδέχεται να μη συμπεριλαμβάνονται στις προειδοποιήσεις ασφαλείας που εσωκλείονται. Αυτοί οι κίνδυνοι μπορεί να προκληθούν από κακή χρήση, παρατεταμένη χρήση κλπ.

Παρά την εφαρμογή των σχετικών κανονισμών ασφαλείας και τη χρήση διατάξεων ασφαλείας, ορισμένοι υπολειπόμενοι κίνδυνοι δεν είναι δυνατό να αποφευχθούν. Αυτοί περιλαμβάνουν:

- ◆ Τραυματισμούς από την επαφή με οποιαδήποτε περιστρεφόμενα/κινούμενα μέρη.
- ◆ Τραυματισμούς από αλλαγή οποιωνδήποτε εξαρτημάτων, λεπίδων ή αξεσουάρ.
- ◆ Τραυματισμούς από παρατεταμένη χρήση του εργαλείου. Όταν χρησιμοποιείτε οποιοδήποτε εργαλείο για παρατεταμένα χρονικά διαστήματα, μην παραλείπετε με κανένα τρόπο να κάνετε τακτικά διαλείμματα.
- ◆ Βλάβη της ακοής.
- ◆ Κινδύνους για την υγεία λόγω εισπνοής σκόνης που αναπτύσσεται κατά τη χρήση του εργαλείου (παράδειγμα:- εργασία με ξύλο, ειδικά βελανιδιά, οξιά και MDF.)

### Κραδασμοί

Η δηλωμένη τιμή εκπομπής κραδασμών που αναφέρεται στα τεχνικά χαρακτηριστικά και τη δήλωση συμμόρφωσης έχει μετρηθεί σύμφωνα με τυποποιημένη μέθοδο δοκιμής που παρέχεται από το πρότυπο EN 60745 και μπορεί να χρησιμοποιηθεί για τη σύγκριση ενός εργαλείου με ένα άλλο. Η δηλωμένη τιμή εκπομπής κραδασμών μπορεί επίσης να

χρησιμοποιηθεί σε έναν προκαταρκτικό προσδιορισμό της έκθεσης σε κραδασμούς.

**Προειδοποίηση!** Στην πράξη, η τιμή εκπομπής κραδασμών κατά την χρήση του ηλεκτρικού εργαλείου μπορεί να διαφέρει από την τιμή που δηλώθηκε, ανάλογα με τον τρόπο που χρησιμοποιείται το εργαλείο. Το επίπεδο κραδασμών μπορεί να αυξηθεί πάνω από το επίπεδο που έχει δηλωθεί.

Κατά τον προσδιορισμό της έκθεσης σε κραδασμούς για τον καθορισμό των απαιτούμενων μέτρων ασφαλείας σύμφωνα με την οδηγία 2002/44/EK για την προστασία προσώπων που χρησιμοποιούν συχνά ηλεκτρικά εργαλεία στην εργασία τους, μια προσεγγιστική εκτίμηση της έκθεσης σε κραδασμούς πρέπει να λαμβάνει υπόψη τις πραγματικές συνθήκες χρήσης και τον τρόπο χρήσης του εργαλείου, συμπεριλαμβανομένων και όλων των επιμέρους τμημάτων του κύκλου εργασίας, όπως τα χρονικά διαστήματα που το εργαλείο ήταν εκτός λειτουργίας και τα διαστήματα λειτουργίας χωρίς φορτίο, επιπλέον του χρόνου πίεσης της σκανδάλης.

### Ετικέτες πάνω στο εργαλείο

Το εργαλείο φέρει τα παρακάτω εικονογράμματα μαζί με τον κωδικό ημερομηνίας:



**Προειδοποίηση!** Για να μειωθεί ο κίνδυνος τραυματισμού, ο χρήστης πρέπει να διαβάσει το εγχειρίδιο οδηγιών.



Μη χρησιμοποιείτε το πριόνι σε υγρές συνθήκες και μην το εκθέτετε στη βροχή.



Πάντα φοράτε προστασία ματιών.



Να φοράτε πάντα ωτασπίδες.



Προσέχετε για τυχόν αντικείμενα που πέφτουν



Μην επιτρέπετε να πλησιάσουν άλλα άτομα



Μη χρησιμοποιείτε σκάλες



Για να εξασφαλίσετε τη συνεχή ασφαλή λειτουργία, ελέγχετε την τάνυση της αλυσίδας, όπως περιγράφεται σε αυτό το εγχειρίδιο, μετά από κάθε 10 λεπτά χρήσης, και ρυθμίζετε τη ξανά σε διάκενο 3 mm όπως απαιτείται. Λαδώνετε την αλυσίδα μετά από κάθε 10 λεπτά χρήσης.



Προειδοποίηση! Μην αγγίζετε την αλυσίδα στο σημείο εξαγωγής των απορριμμάτων κοπής



Η κατεύθυνση περιστροφής της αλυσίδας.



Οδηγία 2000/14/EK περί εγγυημένης ακουστικής ισχύος.

## Πρόσθετες οδηγίες ασφαλείας για μπαταρίες και φορτιστές (Δεν περιλαμβάνονται στο GKC1000LB)

### Μπαταρίες (Δεν περιλαμβάνονται στο GKC1000LB)

- ◆ Ποτέ μην επιχειρήσετε να ανοίξετε το προϊόν για κανένα λόγο.
- ◆ Μην εκθέτετε την μπαταρία σε νερό.
- ◆ Μην εκθέτετε την μπαταρία σε θερμότητα.
- ◆ Μην αποθηκεύετε σε τοποθεσίες όπου η θερμοκρασία ενδέχεται να υπερβαίνει τους 40°C.
- ◆ Να φορτίζετε μόνο σε θερμοκρασίες περιβάλλοντος μεταξύ 10°C και 40°C.
- ◆ Η φόρτιση πρέπει να γίνεται μόνο με το φορτιστή που παρέχεται μαζί με τη συσκευή/εργαλείο. Η χρήση λανθασμένου φορτιστή θα μπορούσε να επιφέρει ηλεκτροπληξία, ή υπερθέρμανση της μπαταρίας.
- ◆ Όταν απορρίπτετε τις μπαταρίες, ακολουθήστε τις οδηγίες που δίνονται στην ενότητα "Προστασία του περιβάλλοντος".
- ◆ Μην καταστρέφετε/παραμορφώνετε την μπαταρία είτε τρυπώντας ή χτυπώντας την, διότι μπορεί να προκληθεί κίνδυνος τραυματισμού ή πυρκαγιάς.
- ◆ Μη φορτίζετε τις κατεστραμμένες μπαταρίες.

**Κάτω από ακραίες συνθήκες, μπορεί να επέλθει διαρροή υγρών μπαταρίας. Αν παρατηρήσετε υγρό πάνω στις μπαταρίες, σκουπίστε το προσεκτικά με ένα πανί. Αποφύγετε την επαφή με το δέρμα. Στην περίπτωση επαφής με το δέρμα ή τα μάτια, ακολουθήστε τις παρακάτω οδηγίες.**

**Προειδοποίηση!** Το υγρό της μπαταρίας μπορεί να προκαλέσει σωματικές βλάβες ή υλικές ζημιές. Σε περίπτωση επαφής με το δέρμα, ξεπλύνετε αμέσως με άφθονο νερό. Αν παρουσιαστεί κοκκίνισμα του δέρματος, πόνος ή ερεθισμός, ζητήστε ιατρική βοήθεια. Σε περίπτωση επαφής με τα μάτια, ξεπλύνετε αμέσως με καθαρό νερό και ζητήστε ιατρική βοήθεια.

### Φορτιστές (Δεν περιλαμβάνονται στο GKC1000LB)

**Προειδοποίηση!** Ο φορτιστής σας είναι σχεδιασμένος για συγκεκριμένη ηλεκτρική τάση. Ελέγχετε πάντα ότι η τάση ρεύματος δικτύου συμφωνεί με αυτή που αναγράφεται στην πινακίδα τεχνικών χαρακτηριστικών. Προειδοποίηση! Ποτέ μην επιχειρήσετε να

### αντικαταστήσετε τη μονάδα φορτιστή με κανονικό φως ρεύματος δικτύου.

- ◆ Ο φορτιστής BLACK+DECKER πρέπει να χρησιμοποιείται αποκλειστικά και μόνο για τη φόρτιση της μπαταρίας στη συσκευή/το εργαλείο που συνδέουε. Άλλες μπαταρίες ενδέχεται να εκραγούν, προκαλώντας τραυματισμό ατόμων και ζημιές.
- ◆ Μην επιχειρήσετε ποτέ να φορτίσετε μη επαναφορτιζόμενες μπαταρίες.
- ◆ Αν το καλώδιο ρεύματος έχει υποστεί ζημιά, πρέπει να αντικατασταθεί από τον κατασκευαστή ή εξουσιοδοτημένο κέντρο σέρβις BLACK+DECKER, για την αποφυγή κινδύνου.
- ◆ Μην εκθέτετε το φορτιστή σε νερό.
- ◆ Μην ανοίγετε το φορτιστή.
- ◆ Μην εισάγετε οποιαδήποτε αντικείμενα μέσα στο φορτιστή.
- ◆ Κατά τη φόρτιση, ο φορτιστής πρέπει να βρίσκεται σε καλά αεριζόμενο χώρο.

### Ετικέτες στον φορτιστή (δεν περιλαμβάνονται στο GKC1000LB)

Ο φορτιστής φέρει τα παρακάτω σύμβολα:



Ο φορτιστής προορίζεται για χρήση μόνο σε εσωτερικούς χώρους.



Διαβάστε το εγχειρίδιο οδηγιών πριν τη χρήση.

### Ασφαλής χρήση ηλεκτρικού ρεύματος



Ο φορτιστής σας φέρει διπλή μόνωση. Επομένως, δεν απαιτείται αγωγός γείωσης. Ελέγχετε πάντα ότι η τάση ρεύματος δικτύου συμφωνεί με αυτήν που αναγράφεται στην πινακίδα τεχνικών χαρακτηριστικών. Ποτέ μην επιχειρήσετε να αντικαταστήσετε τη μονάδα φορτιστή με κανονικό φως ρεύματος δικτύου.

- ◆ Αν το καλώδιο τροφοδοσίας είναι κατεστραμμένο, πρέπει να αντικατασταθεί από τον κατασκευαστή ή εξουσιοδοτημένο κέντρο τεχνικής υποστήριξης της BLACK+DECKER για την αποφυγή κινδύνου.

### Χαρακτηριστικά

1. Άνω σιαγώνα
2. Κάτω σιαγώνα
3. Ράβδος οδήγησης αλυσίδας
4. Κάλυμμα λίπανσης
5. Μάνδαλο
6. Μπαταρία (Δεν περιλαμβάνεται στο GKC1000LB)
7. Διακόπτες λειτουργίας on/off
8. Σημείο εξαγωγής απορριμμάτων κοπής
9. Φορτιστής (Δεν περιλαμβάνεται στο GKC1000LB)

## Συναρμολόγηση (η μπαταρία και ο φορτιστής δεν περιλαμβάνονται στο GKC1000LB)

**Προειδοποίηση!** Πριν από τη συναρμολόγηση, αφαιρέστε την μπαταρία (6) από το εργαλείο.

### Τοποθέτηση και αφαίρεση της μπαταρίας (εικ. Α)

- ♦ Για να τοποθετήσετε τη μπαταρία (6), ευθυγραμμίστε την με την υποδοχή στο εργαλείο. Ολισθήστε την μπαταρία (6) μέσα στην υποδοχή και στρώστε την μέχρι να ασφαλίσει στη θέση της.
- ♦ Για να αφαιρέσετε την μπαταρία (6), πατήστε το κουμπί απασφάλισης (18) και ταυτόχρονα τραβήξτε την μπαταρία (6) έξω από την υποδοχή.

### Ανοίγμα των χειρολαβών (εικ. Β)

- ♦ Για να ανοίξετε τις χειρολαβές, στρώστε το σύρτη (5) προς τα πίσω και τραβήξτε τις χειρολαβές προς τα έξω.
- ♦ Μετά τη χρήση κλείστε τις χειρολαβές και στρώστε το σύρτη (5) προς τα εμπρός στη θέση ασφαλίσης. Οι χειρολαβές πρέπει αν είναι ασφαλισμένες κατά τη μεταφορά και την αποθήκευση.

### Ρύθμιση τάνυσης αλυσίδας (εικ. C)

**Προειδοποίηση!** Πριν από τη ρύθμιση τάνυσης της αλυσίδας ή άλλη ρύθμιση, βεβαιωθείτε ότι το εργαλείο είναι σβηστό και ότι έχει αφαιρεθεί η μπαταρία.

**Προειδοποίηση!** Η θερμοκρασία της ράβδου οδήγησης και της αλυσίδας πριονιού ενδέχεται να είναι υψηλή μετά τη χρήση. Περιμένετε μέχρι να μειωθεί η θερμοκρασία πριν την προσαρμογή.

Το προϊόν παρέχεται συναρμολογημένο. Ωστόσο, συνιστούμε να ελέγξετε την τάνυση της αλυσίδας πριονιού (14) και τα μπουλόνια συγκράτησης του καλύμματος πρόσβασης στην αλυσίδα πριν από τη χρήση του εργαλείου και, ρυθμίστε εάν απαιτείται.

### Έλεγχος και ρύθμιση της τάνυσης της αλυσίδας πριονιού (εικ. C)

Για την τάνυση της αλυσίδας πριονιού (14), ξεσφίξτε τα δύο μπουλόνια συγκράτησης του καλύμματος πρόσβασης στην αλυσίδα (12) με το μηχανικό κλειδί (13), η διάταξη τάνυσης της αλυσίδας θα ωθήσει προς τα έξω τη ράβδο οδήγησης της αλυσίδας (3), ρυθμίζοντας τη σωστή τάνυση. Σφίξτε πάλι καλά τα δύο μπουλόνια συγκράτησης (12).

Ελέγξτε εάν έχει ρυθμιστεί σωστά η τάνυση τραβώντας ελαφρά την αλυσίδα πριονιού (14). Η τάνυση έχει ρυθμιστεί σωστά όταν η αλυσίδα πριονιού επανέρχεται αμέσως στη θέση της, αφού τραβηχτεί σε απόσταση 3 mm από τη ράβδο οδήγησης. Δεν πρέπει να υπάρχει «κοιλιά» μεταξύ της ράβδου οδήγησης αλυσίδας (3) και της αλυσίδας πριονιού (14) στην κάτω πλευρά.

**Σημείωση:** Μην τεντώσετε υπερβολικά την αλυσίδα πριονιού, καθώς αυτό θα προκαλέσει υπερβολική φθορά και θα μειώσει τη διάρκεια ζωής της ράβδου και της αλυσίδας πριονιού. Επίσης, θα μειώσει την απόδοση του προϊόντος.

**Σημείωση:** Κατά την πρώτη χρήση και όταν η αλυσίδα πριονιού είναι καινούρια, ελέγχετε συχνά την τάνυση, καθώς μια νέα αλυσίδα πριονιού επιμηκύνεται ελαφρά.

### Αντικατάσταση της αλυσίδας πριονιού και της ράβδου οδήγησης της αλυσίδας

Μετά από παρατεταμένη χρήση μπορεί να χρειάζεται η αντικατάσταση της αλυσίδας πριονιού (14) και/ή της ράβδου οδήγησης της αλυσίδας (3). Βεβαιωθείτε ότι χρησιμοποιείτε μόνο συνιστώμενα ανταλλακτικά της Black & Decker.

### Αφαίρεση της αλυσίδας πριονιού και της ράβδου οδήγησης της αλυσίδας (εικ. C και D)



Φοράτε πάντοτε προστατευτικά γάντια κατά την τοποθέτηση ή την αφαίρεση της αλυσίδας πριονιού (8). Η αλυσίδα πριονιού είναι κοφτερή και μπορεί να σας τραυματίσει χωρίς να βρίσκεται σε λειτουργία.

**Προειδοποίηση!** Η θερμοκρασία της ράβδου οδήγησης και της αλυσίδας πριονιού ενδέχεται να είναι υψηλή μετά τη χρήση. Περιμένετε μέχρι να μειωθεί η θερμοκρασία τους πριν από την αντικατάστασή τους.

- ♦ Τοποθετήστε το εργαλείο σε μια σταθερή επιφάνεια.
- ♦ Περιστρέψτε τα δύο μπουλόνια συγκράτησης (12) προς τα αριστερά, με το μηχανικό κλειδί (13) που παρέχεται, και αφαιρέστε τα.
- ♦ Αφαιρέστε το κάλυμμα πρόσβασης της αλυσίδας (11).
- ♦ Σπρώξτε το σύρτη (5) στη θέση απασφάλισης, ανοίξτε τις χειρολαβές και τραβήξτε προς τα πίσω την άνω σιαγόνα (1).
- ♦ Τραβήξτε προς τα πίσω τη ράβδο οδήγησης της αλυσίδας (3) και, στη συνέχεια, τραβήξτε την αλυσίδα πριονιού (14) έξω από την εσοχή της ράβδου οδήγησης. Στη συνέχεια, η αλυσίδα πριονιού μπορεί να αφαιρεθεί από τη μονάδα.
- ♦ Τότε, η ράβδος οδήγησης της αλυσίδας (3) μπορεί να σηκωθεί υπό γωνία προς τα πάνω, και να αφαιρεθεί.

### Συναρμολόγηση της ράβδου οδήγησης της αλυσίδας και της αλυσίδας πριονιού (εικ. E και F)

**Προειδοποίηση!** Φοράτε πάντοτε προστατευτικά γάντια κατά την τοποθέτηση ή την αφαίρεση της αλυσίδας του πριονιού. Η αλυσίδα πριονιού είναι κοφτερή και μπορεί να σας τραυματίσει χωρίς να βρίσκεται σε λειτουργία.

- ♦ Βεβαιωθείτε ότι η διαδικασία πραγματοποιείται σε σταθερή επιφάνεια.
- ♦ Σπρώξτε το σύρτη (5) στη θέση απασφάλισης, ανοίξτε τις χειρολαβές και τραβήξτε προς τα πίσω την άνω σιαγόνα (1).

- ◆ Τοποθετήστε τη ράβδο οδήγησης της αλυσίδας (3) στο χώρο μεταξύ του εντατήρα της αλυσίδας και ευθυγραμμίστε με τη θέση τοποθέτησης της ράβδου οδήγησης της αλυσίδας, χαμηλώστε υπό γωνία τη ράβδο οδήγησης της αλυσίδας (3) επιβεβαιώνοντας ότι τοποθετήθηκε σωστά.
- ◆ Τοποθετήστε την αλυσίδα πριονιού (14) γύρω από το εμπρός τμήμα της ράβδου οδήγησης της αλυσίδας (3).
- ◆ Τραβήξτε τη ράβδο οδήγησης της αλυσίδας (3) και την αλυσίδα πριονιού (14) προς τα πίσω, προσαρμόζοντας την αλυσίδα στην εσοχή της ράβδου οδήγησης της αλυσίδας (3) και, στη συνέχεια, πάνω από τις οδοντώσεις τοποθέτησης του οδοντωτού τροχού (16), στη σωστή θέση πάνω στον τροχό.
- ◆ Τοποθετήστε ξανά το κάλυμμα πρόσβασης της αλυσίδας (11) και τα δύο μπουλόνια συγκράτησης (12), σφίγγοντάς τα καλά.
- ◆ Βεβαιωθείτε ότι έχει τοποθετηθεί σωστά η αλυσίδα πριονιού (14) σε σχέση με τα σημάδια στο εργαλείο.

### Λίπανση (εικ. G)

- ◆ Πριν από την πρώτη χρήση και μετά από κάθε δέκα λεπτά χρήσης, πρέπει να λαδώνετε το προϊόν με το κατάλληλο λάδι αλυσίδας. (Αριθμός καταλόγου A6027). Ανοίξτε το κάλυμμα λίπανσης (4) και εισαγάγετε τη φιάλη λαδιού στην οπή πλήρωσης λαδιού (15), ασκήστε πίεση μία φορά στη φιάλη για να χορηγηθεί λάδι.
- ◆ Αυτή η ποσότητα πρέπει να αρκεί για κοπή διάρκειας περίπου 10 λεπτών, ανάλογα με την ταχύτητα κοπής και τον τύπο του ξύλου.

Από την οπή, το λάδι διοχετεύεται στην αλυσίδα πριονιού, στη ράβδο οδήγησης της αλυσίδας (3), και, σε περίπτωση χορήγησης στη μονάδα πλεονάζουσας ποσότητας λαδιού, ενδέχεται να στάξει λάδι από τη μονάδα, γύρω από την περιοχή των σιαγώνων. Αυτό είναι φυσιολογικό και δεν αποτελεί αιτία ανησυχίας..

### Χρήση

#### Φόρτιση της μπαταρίας (εικ. Η) (δεν περιλαμβάνεται στο GK1000LB)

**Προειδοποίηση!** Μη φορτίζετε την μπαταρία σε θερμοκρασίες περιβάλλοντος κάτω από 10°C ή επάνω από 40°C. Η συνιστώμενη θερμοκρασία φόρτισης είναι περίπου 24°C.

**Σημείωση:** Ο φορτιστής δε θα φορτίσει ένα πακέτο μπαταριών εάν η θερμοκρασία κυψέλης είναι χαμηλότερη από περίπου 0°C ή υψηλότερη από 40°C. Η μπαταρία θα πρέπει να μείνει στο φορτιστή και αυτός θα αρχίσει να τη φορτίζει αυτόματα μόλις η θερμοκρασία κυψέλης αυξηθεί ή μειωθεί αντίστοιχα.

- ◆ Για να φορτίσετε την μπαταρία (6), τοποθετήστε την στο φορτιστή (9). Η μπαταρία μπορεί να τοποθετηθεί

στο φορτιστή μόνο με έναν τρόπο. Μην ασκείτε άσκοπη δύναμη.

- ◆ Βεβαιωθείτε ότι η μπαταρία έχει εισαχθεί πλήρως στο φορτιστή (9).
- ◆ Συνδέστε το φορτιστή (9) και δώστε ρεύμα.
- ◆ Η ενδεικτική λυχνία φόρτισης (19) θα αρχίσει να αναβοσβήνει συνεχώς (αργά).
- ◆ Η φόρτιση έχει ολοκληρωθεί όταν η ενδεικτική λυχνία φόρτισης (19) ανάψει σταθερά με πράσινο χρώμα.
- ◆ Η ενδεικτική λυχνία LED αρχίζει να αναβοσβήνει με πράσινο χρώμα (φόρτιση), καθώς ο φορτιστής αναπληρώνει περιστασιακά το φορτίο της μπαταρίας.
- ◆ Η ενδεικτική λυχνία φόρτισης (19) παραμένει αναμμένη για όσο διάστημα η μπαταρία είναι συνδεδεμένη με το φορτιστή στην πρίζα (9).

Φορτίζετε τις αποφορτισμένες μπαταρίες εντός 1 εβδομάδας. Η διάρκεια ζωής της μπαταρίας μειώνεται σημαντικά αν αποθηκευτεί σε αποφορτισμένη κατάσταση.

#### Παραμονή της μπαταρίας στο φορτιστή

Ο φορτιστής και το πακέτο μπαταρίας μπορούν να παραμείνουν σε σύνδεση, με τη λυχνία LED αναμμένη, επ' αόριστον. Ο φορτιστής θα διατηρεί το πακέτο μπαταρίας σε βέλτιστη κατάσταση και πλήρως φορτισμένο.

#### Διαγνωστικά φορτιστή

Εάν ο φορτιστής εντοπίσει αδύναμη ή μπαταρία με βλάβη, η ενδεικτική λυχνία φόρτισης θα αρχίσει να αναβοσβήνει κόκκινη με γρήγορο ρυθμό. Προχωρήστε ως ακολούθως:

- ◆ Επανατοποθετήστε τη μπαταρία (6).
- ◆ Εάν η ενδεικτική λυχνία φόρτισης (19) συνεχίσει να αναβοσβήνει κόκκινη με γρήγορο ρυθμό, χρησιμοποιήστε μια άλλη μπαταρία για να εξακριβώσετε εάν η διαδικασία φόρτισης λειτουργεί σωστά.
- ◆ Εάν η νέα μπαταρία φορτίζεται σωστά, αυτό σημαίνει ότι η αρχική μπαταρία είναι ελαττωματική και θα πρέπει να επιστραφεί σε ένα κέντρο σέρβις για ανακύκλωση.
- ◆ Εάν η νέα μπαταρία δίνει την ίδια ένδειξη με την αρχική μπαταρία, πηγαίστε το φορτιστή για έλεγχο σε ένα εξουσιοδοτημένο κέντρο σέρβις.

**Σημείωση:** Μπορεί να χρειαστούν μέχρι και 60 λεπτά για να εξακριβωθεί εάν η μπαταρία είναι ελαττωματική. Εάν η μπαταρία είναι πολύ θερμή ή πολύ κρύα, η ενδεικτική λυχνία LED θα αναβοσβήνει με κόκκινο χρώμα σε γρήγορο και αργό ρυθμό εναλλασσόμενα, με μια αναλαμπή σε κάθε ρυθμό και επαναλαμβανόμενα.

#### Προετοιμασία

- ◆ Καθαρίζετε σε τακτική βάση τη μονάδα, όπως περιγράφεται στην ενότητα για τη συντήρηση, και, ιδιαίτερα, καθαρίζοντας στο εσωτερικό του καλύμματος πρόσβασης στην αλυσίδα (11).

- ◆ Η κάτω σιαγόνα (2) και η άνω σιαγόνα (1) έχουν σχεδιαστεί έτσι, ώστε να κλείνουν όταν μία από τις λαβές απελευθερώνεται ή όταν ολοκληρώνεται η κοπή ενός κλαδιού. Εάν δεν συμβαίνει αυτό, διακόψτε τη λειτουργία του εργαλείου και βγάλτε την μπαταρία από το εργαλείο.
- ◆ Ελέγξτε εάν υπάρχουν ξένα σώματα που εμποδίζουν την κίνηση. Για τη διευκόλυνση αυτής της διαδικασίας, ενδέχεται να είναι απαραίτητο να αφαιρέσετε το κάλυμμα πρόσβασης στην αλυσίδα (11). Εάν μετά τη συναρμολόγηση το πρόβλημα εξακολουθεί να παρουσιάζεται, επιστρέψτε τη μονάδα σε εξουσιοδοτημένο κέντρο επισκευών.

## Ενεργοποίηση και απενεργοποίηση

**Προειδοποίηση!** Ποτέ μην επιχειρήσετε να ασφαλίσετε ή να σταθεροποιήσετε ένα διακόπτη λειτουργίας στη θέση on. Για την ασφάλειά σας, αυτό το εργαλείο είναι εξοπλισμένο με διπλό σύστημα ενεργοποίησης. Αυτό το σύστημα εμποδίζει την ακούσια ενεργοποίηση του εργαλείου.

### Ενεργοποίηση εργαλείου (εικ. Ι)

Κρατήστε σταθερά τις λαβές και, στη συνέχεια, πιέστε και τους δύο διακόπτες λειτουργίας (7) για να θέσετε τη μονάδα σε λειτουργία.

### Απενεργοποίηση (εικ. Ι)

Απελευθερώστε έναν από τους διακόπτες.

**Σημειώσεις:** Για να λειτουργήσει το προϊόν, πρέπει να ασκείται πίεση και στους δύο διακόπτες. Μην πιέζετε το εργαλείο - αφήστε το να λειτουργήσει με το δικό του ρυθμό. Η εργασία θα γίνει καλύτερα και με μεγαλύτερη ασφάλεια, εάν το εργαλείο λειτουργεί με την ταχύτητα για την οποία έχει σχεδιαστεί. Η άσκηση υπερβολικής δύναμης καταπονεί την αλυσίδα πριονιού.

Σε περίπτωση εμπλοκής της αλυσίδας (14) ή της μπάρας οδηγού (3):

- ◆ Απενεργοποιήστε το εργαλείο.
- ◆ Αποσυνδέστε την μπαταρία από το εργαλείο.

Ανοίξτε το σημείο κοπής με σφήνες για να απαλλάξετε από την πίεση τη ράβδο οδήγησης. Μην επιχειρήσετε να ελευθερώσετε το πριόνι με τη βία. Ξεκινήστε από νέο σημείο κοπής.

### Κλάδεμα κλαδιών (εικ. J)

Βεβαιωθείτε ότι δεν υπάρχουν τοπικοί νόμοι ή κανονισμοί που απαγορεύουν ή περιορίζουν το κλάδεμα των κλαδιών των δέντρων.

- ◆ Βεβαιωθείτε ότι το εργαλείο λειτουργεί με τη μέγιστη ταχύτητα πριν πραγματοποιήσετε κοπή.
- ◆ Κρατήστε σταθερά το εργαλείο, για να αποφύγετε πιθανή αναπήδηση ή μετατόπισή του στο πλάι.
- ◆ Κατευθύνετε το εργαλείο ασκώντας μικρή πίεση.

- ◆ Πάντοτε, κόβετε προς τα κάτω, ξεκινώντας από πάνω. Με αυτό τον τρόπο, αποφεύγετε το ενδεχόμενο να μαγκώσει η αλυσίδα του πριονιού (14).
- ◆ Κλαδεύετε τα κλαδιά όπως φαίνεται στην εικόνα Ι. Ξεκινώντας από το άκρο του κλαδιού, αρχίστε να κόβετε σταδιακά το κλαδί, σε λογικά βήματα, αποκόβοντας μικρά τμήματά του.
- ◆ Απομακρύνετε το εργαλείο από το σημείο κοπής ενώ λειτουργεί με τη μέγιστη ταχύτητά του.

## Συντήρηση

Αυτή η συσκευή/το εργαλείο ρεύματος/μπαταρίας της BLACK+DECKER έχει σχεδιαστεί έτσι ώστε να λειτουργεί για μεγάλο χρονικό διάστημα με την ελάχιστη δυνατή συντήρηση. Η συνεχής ικανοποιητική λειτουργία εξαρτάται από τη σωστή φροντίδα και τον τακτικό καθαρισμό του εργαλείου.

**Προειδοποίηση!** Πριν πραγματοποιήσετε οποιαδήποτε συντήρηση σε ηλεκτρικά εργαλεία με καλώδιο/χωρίς καλώδιο:

- ◆ Απενεργοποιήστε και αποσυνδέστε τη συσκευή/εργαλείο από την πρίζα.
- ◆ Ή απενεργοποιήστε και αφαιρέστε την μπαταρία από τη συσκευή/εργαλείο εάν η συσκευή/εργαλείο διαθέτει ξεχωριστή μπαταρία.
- ◆ Ή χρησιμοποιήστε την μπαταρία μέχρι να αδειάσει εντελώς και στη συνέχεια απενεργοποιήστε.
- ◆ Αποσυνδέστε το φορτιστή από την πρίζα πριν τον καθαρίσετε. Ο φορτιστής σας δεν χρειάζεται καμία άλλη συντήρηση πέραν του τακτικού καθαρισμού.

Να καθαρίζετε τακτικά τις εγκοπές εξαιρισμού της συσκευής/εργαλείου/φορτιστή με μια μαλακή βούρτσα ή με ένα στεγνό πανί.

Να καθαρίζετε τακτικά το περίβλημα του μοτέρ με ένα υγρό πανί. Μη χρησιμοποιείτε λιπαντικά καθαριστικά ή υγρά καθαρισμού που περιέχουν διαλυτικά.

Να ανοίγετε τακτικά το τσοκ και να το χτυπάτε ελαφρά για να αφαιρείται η σκόνη από το εσωτερικό του (εφόσον έχει εφαρμοστεί).

## Καθαρισμός

- ◆ Αφαιρείτε σε τακτική βάση το κάλυμμα πρόσβασης της αλυσίδας (11) για να απομακρύνετε τυχόν ξένα σώματα που έχουν παγιδευτεί στο εσωτερικό του.
- ◆ Καθαρίζετε σε τακτική βάση τις εγκοπές εξαιρισμού με ένα καθαρό, στεγνό πινέλο βαφής.
- ◆ Για τον καθαρισμό του εργαλείου, χρησιμοποιήστε αποκλειστικά ήπιο σαπούνι και υγρό πανί. Μην επιτρέψετε ποτέ να εισέλθει υγρό στο εσωτερικό της συσκευής και μη βυθίσετε ποτέ οποιοδήποτε εξάρτημα της συσκευής σε υγρό.

## Λίπανση

- ◆ Λαδώνετε τακτικά τα σημεία λίπανσης (15), όπως υποδεικνύεται στην εικόνα D.



## Μεταφορά

- ◆ Μεταφέρετε πάντα το εργαλείο με τις χειρολαβές κλειστές και το σύρτη (5) στη θέση ασφάλισης.

## Ακόνισμα της Αλυσίδας Πριονιού

Για την καλύτερη δυνατόν απόδοση του εργαλείου, είναι σημαντικό να κρατάτε τα δόντια της αλυσίδας ακονισμένα. Οι οδηγίες για αυτήν τη διαδικασία βρίσκονται στο πακέτο του ακονιστή. Για τον σκοπό αυτό συνιστάται να αγοράσετε το σετ ακονίσματος αλυσίδας πριονιού A6039 της Black & Decker (διατίθεται στα εξουσιοδοτημένα κέντρα επισκευών και επιλεγμένους αντιπροσώπους της Black & Decker).

## Αντικατάσταση των φθαρμένων αλυσίδων

Τα εξουσιοδοτημένα κέντρα επισκευών BLACK+DECKER διαθέτουν ανταλλακτικές αλυσίδες. Να χρησιμοποιείτε πάντα γνήσια ανταλλακτικά.

## Ικανότητα κοπής της αλυσίδας πριονιού

Οι κόφτες της αλυσίδας θα στομώσουν αμέσως εάν έρθουν σε επαφή με το έδαφος ή ένα καρφί κατά τη διάρκεια της κοπής.

## Τάνυση της αλυσίδας πριονιού

Να ελέγχετε τακτικά την τάνυση της αλυσίδας.

## Αν το αλυσοπρίονο χρειάζεται επισκευή

Το εργαλείο σας πληροί τις σχετικές προδιαγραφές ασφαλείας. Οι επισκευές θα πρέπει να γίνονται μόνο από ειδικευμένους τεχνικούς και με τη χρήση αποκλειστικά γνήσιων ανταλλακτικών, διαφορετικά υπάρχει το ενδεχόμενο σοβαρού κινδύνου για το χρήστη. Συνιστάται να φυλάσσετε αυτό το εγχειρίδιο χρήσης σε ασφαλές μέρος.

## Φύλαξη

Εάν το εργαλείο δεν πρόκειται να χρησιμοποιηθεί για αρκετούς μήνες, επαλείψτε τα μεταλλικά εξαρτήματα με λάδι. Θα ήταν καλό να αφήσετε το εργαλείο συνδεδεμένο με το φορτιστή (6).

## Προχωρήστε ως εξής:

- ◆ Φορτίστε πλήρως την μπαταρία (6).
- ◆ Αφαιρέστε την μπαταρία (6) από το εργαλείο.
- ◆ Αποθηκεύστε το εργαλείο και την μπαταρία (6) σε ασφαλές και στεγνό μέρος. Η θερμοκρασία αποθήκευσης πρέπει πάντοτε να παραμένει μεταξύ +5°C και +40°C. Τοποθετήστε την μπαταρία (6) σε επίπεδη επιφάνεια.
- ◆ Πριν από τη χρήση του εργαλείου μετά από παρατεταμένη αποθήκευση, φορτίστε την μπαταρία (6) ξανά.

## Προστασία του περιβάλλοντος



Χωριστή συλλογή. Προϊόντα και μπαταρίες σημειωμένα με αυτό το σύμβολο δεν μπορούν να απορριφθούν στα κανονικά σκουπίδια του σπιτιού.

Τα προϊόντα και οι μπαταρίες περιέχουν υλικά που μπορούν να ανακτηθούν ή να ανακυκλωθούν ώστε να μειωθούν οι ανάγκες για πρώτες ύλες.

Παρακαλούμε να ανακυκλώνετε τα ηλεκτρικά προϊόντα και τις μπαταρίες σύμφωνα με τους τοπικούς κανονισμούς. Περισσότερες πληροφορίες διατίθενται στον ιστότοπο [www.2helpU.com](http://www.2helpU.com).

## Τεχνικά δεδομένα

		GKC1000L H3	GKC1000LB H3
Τάση	V <sub>DC</sub>	18	18
Ταχύτητα αλυσίδας (χωρίς φορτίο)	min <sup>-1</sup>	1.9	1.9
Μέγιστη διάμετρος κοπής	mm	100	100
Βάρος	kg	3.1	3.1

Μπαταρία		BL2018	δεν περιλαμβάνεται στο GKC1000LB
Τάση	V <sub>DC</sub>	18	
Χωρητικότητα	Ah	2.0	
Τύπος		Ιόντων λιθίου	
Φορτιστής		906349** ΤΥΠΟΣ 1	δεν περιλαμβάνεται στο GKC1000LB
Τάση εισόδου	V <sub>AC</sub>	200-240	
Τάση εξόδου	V <sub>DC</sub>	8-20	
Ρεύμα εξόδου	mA	1000	
Χρόνος φόρτισης περ.	h	2	

Εγγυημένο επίπεδο ηχητικής πίεσης, το οποίο μετράται σύμφωνα με το πρότυπο EN60745:
LpA (πίεση ήχου) 85 dB(A), αβεβαιότητα (K) 3 dB(A) LwA (ισχύς ήχου) 95 dB(A), αβεβαιότητα (K) 2,3 dB(A) LwA (εγγυημένη ηχητική ισχύς) 97 dB(A)

Συνολικές τιμές κραδασμών (διανυσματικό άθροισμα τριών αξόνων) κατά EN 60745:
Κοπή μαλακού φρεσκοκομμένου ξύλου (ah) = 4,9 m/s <sup>2</sup> , αβεβαιότητα (K) = 1.5 m/s <sup>2</sup>

**Δήλωση συμμόρφωσης ΕΚ****ΟΔΗΓΙΑ ΠΕΡΙ ΜΗΧΑΝΗΜΑΤΩΝ****ΟΔΗΓΙΑ ΓΙΑ ΘΟΥΡΥΒΟΥΣ ΣΕ  
ΕΞΩΤΕΡΙΚΟΥΣ ΧΩΡΟΥΣ**

GKC1000L, GKC1000LB – Κλαδευτήρι Alligator™

Η Black & Decker δηλώνει ότι τα προϊόντα αυτά που περιγράφονται στα "τεχνικά χαρακτηριστικά" συμμορφώνονται με τα ακόλουθα:  
EN 60745-1:2009 +A11:2010

Αυτά τα προϊόντα συμμορφώνονται επίσης με την Οδηγία 2006/42/ΕΚ, 2014/30/ΕΕ και 2011/65/ΕΕ.

Για περισσότερες πληροφορίες, επικοινωνήστε με την Black & Decker στην παρακάτω διεύθυνση ή ανατρέξτε στο πίσω μέρος του εγχειριδίου.

Ο κάτωθι υπογεγραμμένος είναι υπεύθυνος για την κατάρτιση του τεχνικού φακέλου και δηλώνει τα παρόντα εκ μέρους της Black & Decker.

A. P. Smith  
Technical Director  
Black & Decker Europe, 210 Bath Road, Slough,  
Berkshire, SL1 3YD  
United Kingdom  
14/03/2019

Για το κλαδευτήρι Alligator™ έχουν υποβληθεί αιτήσεις διπλωμάτων ευρεσιτεχνίας και κατοχύρωσης σχεδίασης στην Ευρώπη, στις Ηνωμένες Πολιτείες και σε άλλες χώρες, παγκοσμίως. Η επωνυμία ALLIGATOR αποτελεί εμπορικό σήμα της Black & Decker Corporation.

**Εγγύηση**

Η Black & Decker είναι σίγουρη για την ποιότητα των προϊόντων της και προσφέρει στους καταναλωτές εγγύηση 24 μηνών από την ημερομηνία αγοράς. Αυτή η εγγύηση συμπληρώνει και με κανένα τρόπο δεν παραβιάζει τα νόμιμα δικαιώματά σας. Η εγγύηση ισχύει εντός της επικράτειας των χωρών μελών της Ευρωπαϊκής Ένωσης και της Ευρωπαϊκής Ζώνης Ελεύθερων Συναλλαγών.

Για να υποβάλετε αξίωση βάσει της εγγύησης, η αξίωση θα πρέπει να είναι σύμφωνη με τους Όρους και προϋποθέσεις της Black & Decker και θα χρειαστεί να υποβάλετε απόδειξη αγοράς στον πωλητή ή σε εξουσιοδοτημένο αντιπρόσωπο επισκευών. Μπορείτε να αποκτήσετε τους Όρους και προϋποθέσεις της εγγύησης 2 ετών της Black&Decker και να μάθετε την τοποθεσία του πλησιέστερου εξουσιοδοτημένου αντιπροσώπου επισκευών στο Internet στο [www.2helpU.com](http://www.2helpU.com), ή επικοινωνώντας με το τοπικό σας γραφείο Black & Decker στη διεύθυνση που υποδεικνύεται στο παρόν εγχειρίδιο.

Παρακαλούμε επισκεφθείτε την ιστοσελίδα μας [www.blackanddecker.gr](http://www.blackanddecker.gr) για να καταχωρίσετε το νέο σας προϊόν Black & Decker και για να ενημερώνεστε για τα νέα προϊόντα και τις ειδικές προσφορές.



<b>België/Belgique/Luxembourg</b> www.blackanddecker.be enduser.be@sbdinc.com	Stanley Black & Decker Belgium BVBA Egide Walschaertsstraat 16 2800 Mechelen	Tel. NL +32 15 47 37 65 Tel. FR +32 15 47 37 66 Fax. +32 15 47 37 99
<b>Danmark</b>	Black & Decker Roskildevej 22 2620 Albertslund	kundeservice.dk@sbdinc.com www.blackanddecker.dk
<b>Deutschland</b> www.blackanddecker.de infobfge@sdbinc.com	Stanley Black & Decker Deutschland GmbH Black & Decker Str. 40, D - 65510 Idstein	Tel. 06126 21-0 Fax 06126 21-2980
<b>Ελλάδα</b> www.blackanddecker.gr greece.service@sbdinc.com	Stanley Black & Decker (ΕΛΛΑΣ) Ε.Π.Ε ΓΡΑΦΕΙΑ: Σπύριδωνος 7 & Βουλιαγμένης 166 74 Γλυφάδα - Αθήνα	Τηλ. 210-8981616 Φαξ 210-8983570
<b>SERVICE:</b>	Ημερος Τόπος 2 -Χάνι Αδάμ 193 00 Ασπρόπυργος - Αθήνα	Τηλ. Service 210-8985208 Φαξ 210-5597598
<b>España</b> www.blackanddecker.es respuesta.posventa@sbdinc.com	Stanley Black & Decker Ibérica, S.C.A. Parc de Negocis "Mas Blau" Edificio Muntadas, c/Bergadà, 1, Of. A6 08820 El Prat de Llobregat (Barcelona)	Tel. 934 797 400 Fax 934 797 419
<b>France</b> www.blackanddecker.fr	Black & Decker (France) S.A.S. 5 allée des Hêtres B.P. 30084 69579 Limonest Cédex	Tel. 04 72 20 39 20 Fax 04 72 20 39 00
<b>Helvetia</b> www.blackanddecker.ch service@rofoag.ch	ROFO AG Gewerbezone Seeblick 3213 Kleinbödingen	Tel. 026-6749393 Fax 026-6749394
<b>Italia</b> www.blackanddecker.it service.italia@sbdinc.com	Stanley Black & Decker Italia Via Energypark 6 20871 Vimercate (MB)	Tel. 039-9590200 Fax 039-9590313 Numero verde 800-213935
<b>Nederland</b> www.blackanddecker.nl enduser.nl@sbdinc.com	Stanley Black & Decker Netherlands BV Holtum Noordweg 35, 6121 RE BORN Postbus 83, 6120 AB BORN	Tel. +31 164 283 065 Fax +31 164 283 200
<b>Norge</b>	Black & Decker Postboks 4613, Nydalen 0405 Oslo	kundeservice.no@sbdinc.com www.blackanddecker.no
<b>Österreich</b> www.blackanddecker.at service.austria@sbdinc.com	Stanley Black & Decker Austria GmbH Oberlaaerstraße 248, A-1230 Wien	Tel. 01 66116-0 Fax 01 66116-614
<b>Portugal</b> www.blackanddecker.pt resposta.posvenda@sbdinc.com	Black & Decker Limited SARL Quinta da Fonte - Edifício Q55 D. Diniz Rua dos Malhões, 2 e 2A - Piso 2 Esquerdo 2770 - 071 Paço de Arcos	Tel. 214667500 Fax 214667580
<b>Suomi</b>	Black & Decker PL47 00521, Helsinki	asiakaspalvelu.fi@sbdinc.com www.blackanddecker.fi
<b>Sverige</b>	Black & Decker AB Box 94, 431 22 Mölndal	kundservice.se@sbdinc.com www.blackanddecker.se
<b>Türkiye</b> www.blackanddecker.com.tr	KALE Hirdavat ve Makina A.Ş. Defferdar Mah. Savaklar Cad. No:15 Edimekapı / Eyüp / İstanbul 34050	Tel. 0212 533 52 55 Fax. 0212 533 10 05
<b>United Kingdom &amp; Republic Of Ireland</b> www.blackanddecker.co.uk emeaservice@sbdinc.com	Black & Decker 210 Bath Road Slough, Berkshire SL1 3YD	Tel. 01753 511234 Fax 01753 512365
<b>Middle East &amp; Africa</b> www.blackanddecker.ae service.mea@sbdinc.com	Black & Decker P.O.Box - 17164 Jebel Ali Free Zone (South), Dubai, UAE	Tel. +971 4 8863030 Fax +971 4 8863333