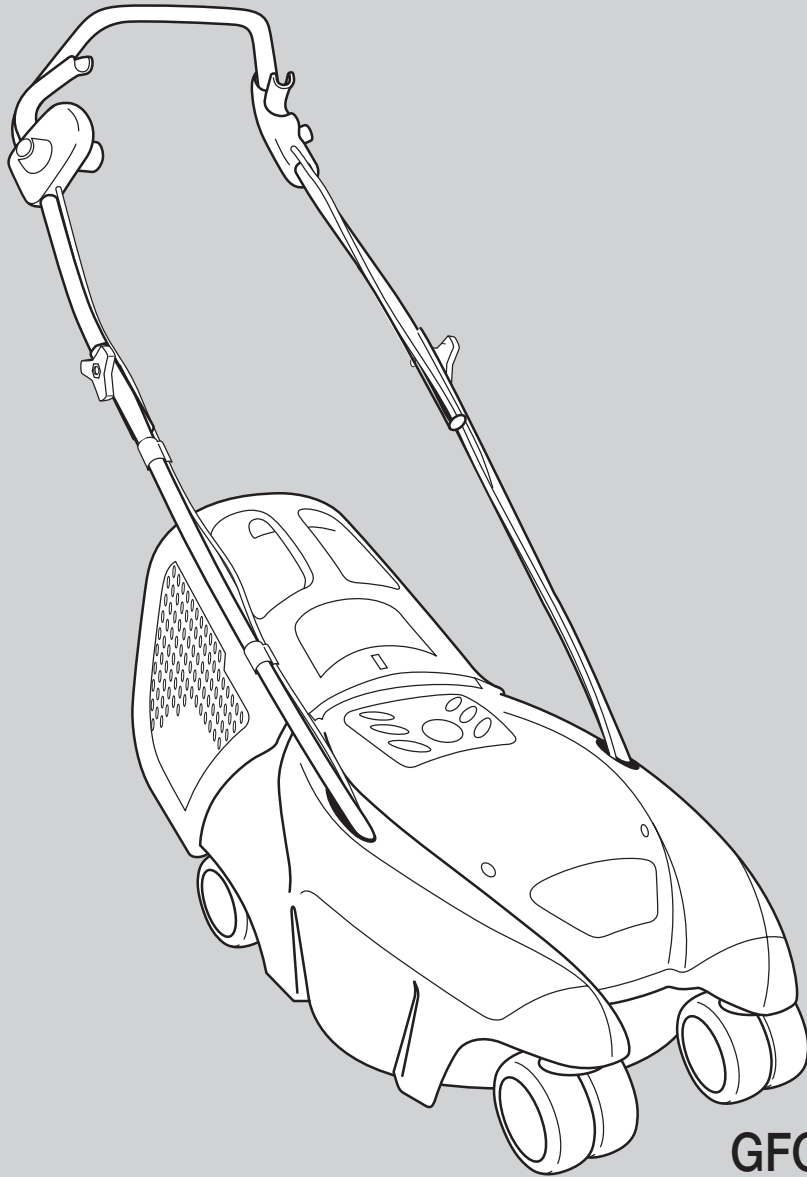




 **BLACK &
DECKER®**

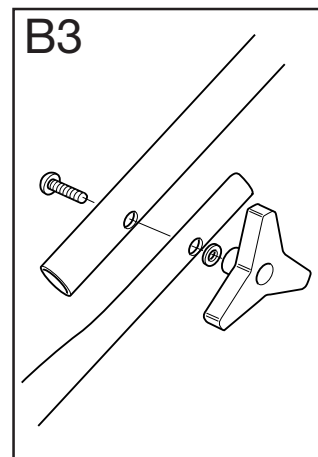
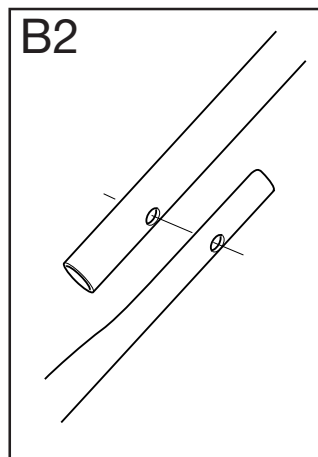
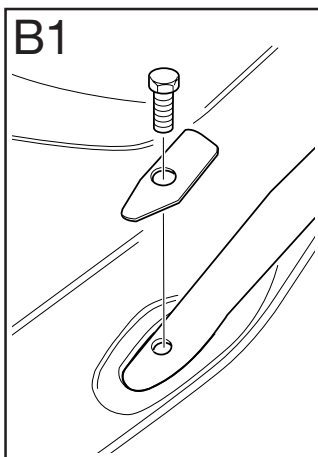
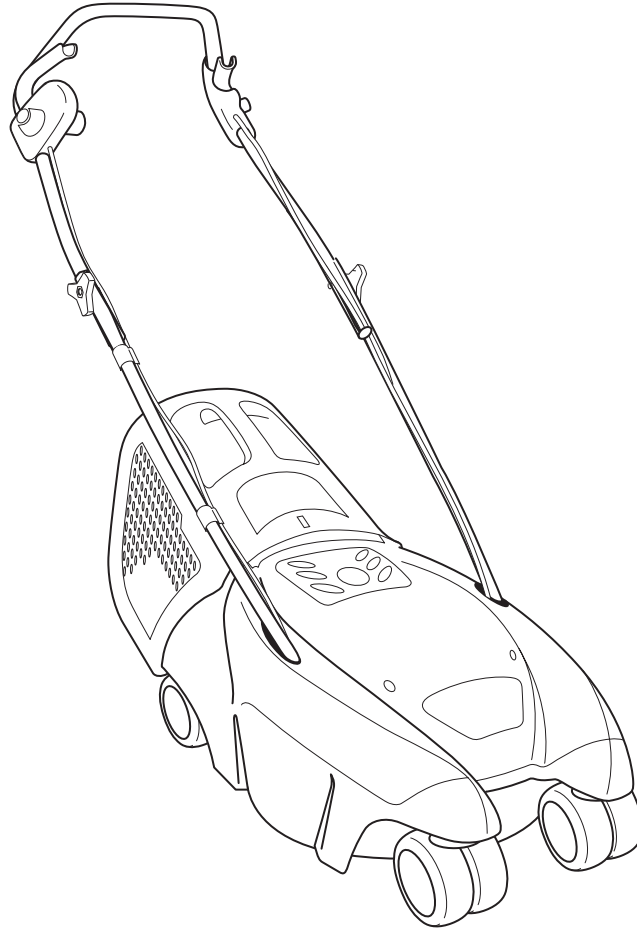


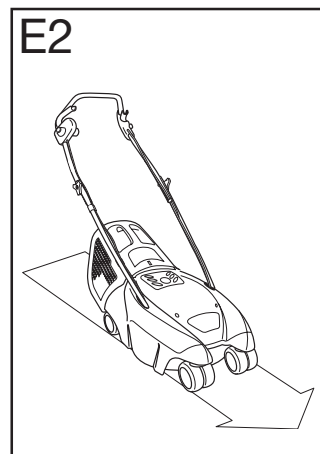
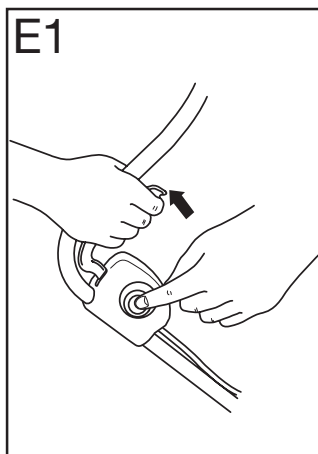
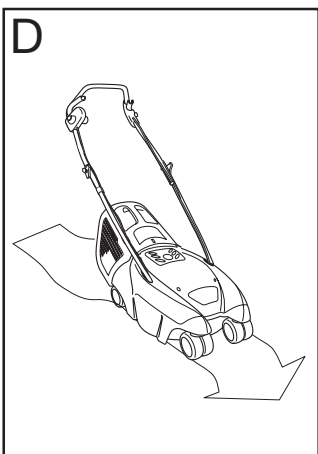
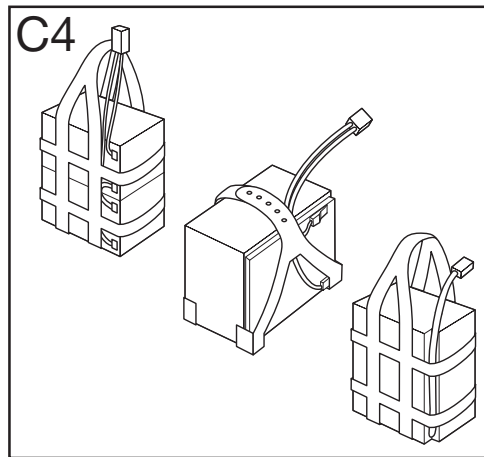
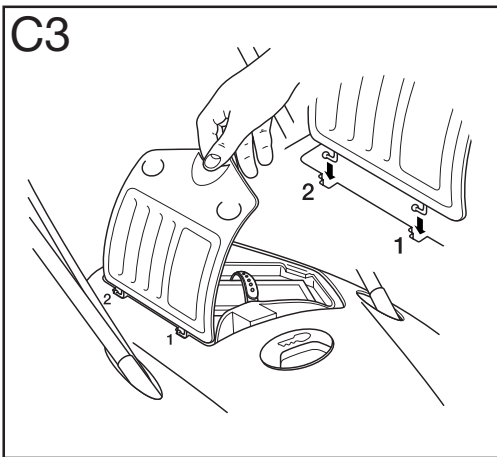
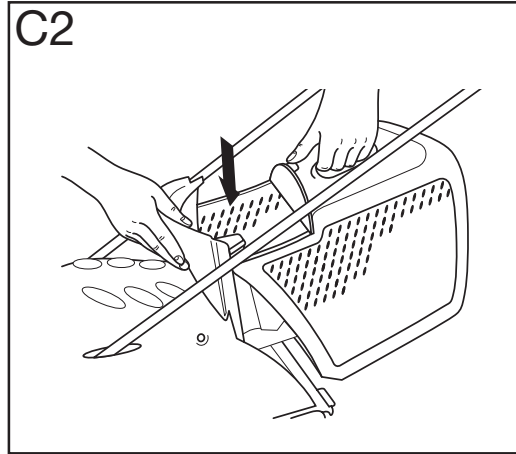
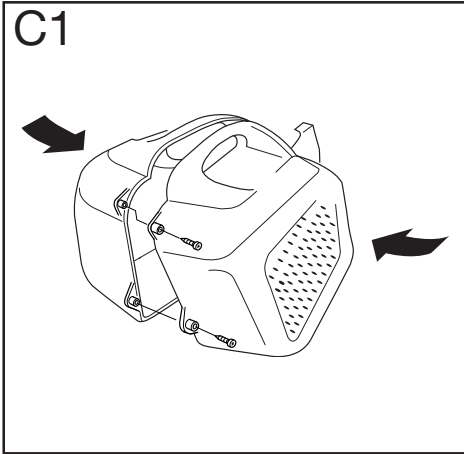
**GFC1234
GFC1238
GFC2438**

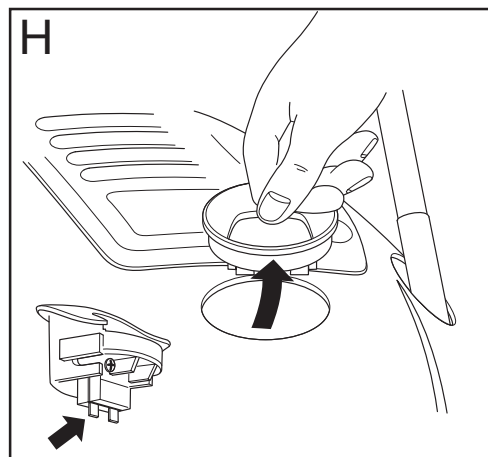
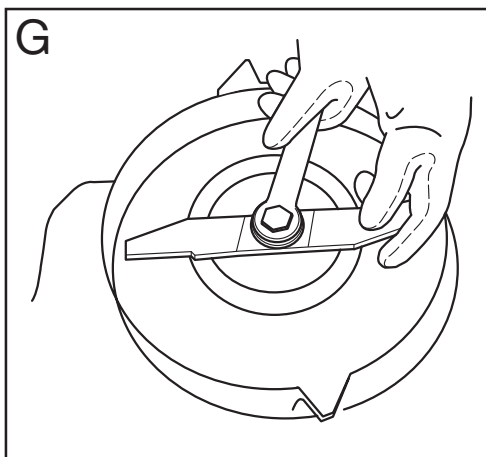
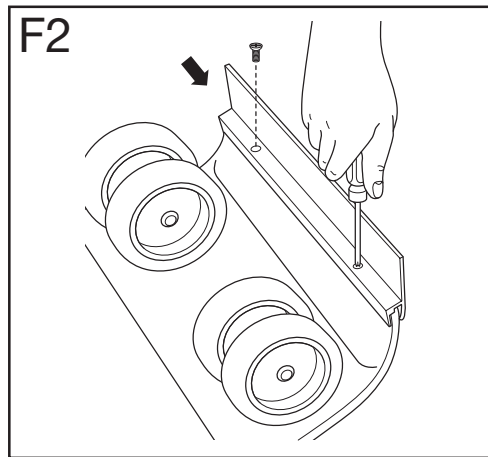
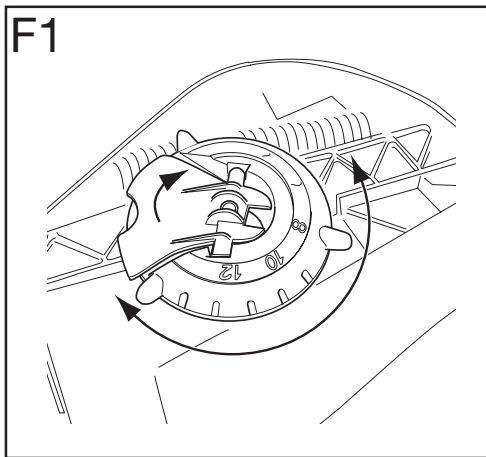
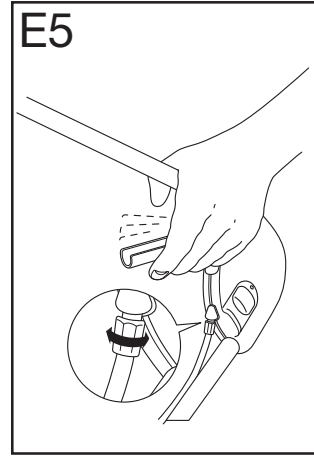
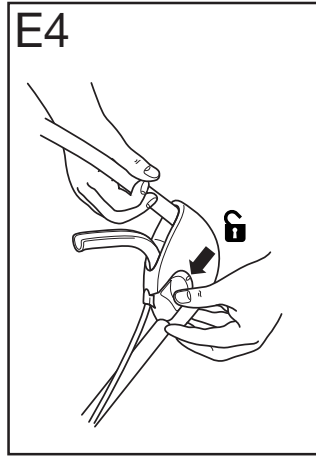
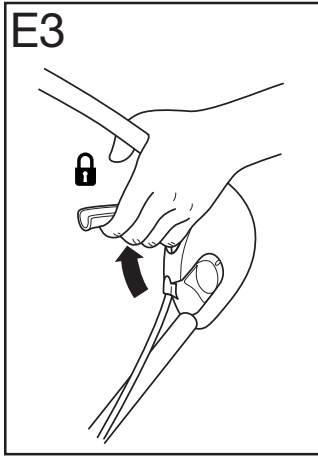




A









English

Italiano

Deutsch

Français

Nederlands

Español

Português

Ελληνικά

Danmark

Suomi

Norge

Sverige

 **BLACK &
DECKER®**

Cordless Rotary Lawnmower

User manual

Congratulations!

On your purchase of your Black & Decker cordless lawnmower.

This user manual provides important operating and maintenance instructions for all of the mowers in the Black & Decker 4x4 cordless range.

Know your mower



Read this manual carefully. Observe all the recommended safety instructions before, during and after using your machine, and maintain your machine in good working order.



Familiarise yourself with the controls on your machine before attempting to operate it, but above all, be sure you know how to stop your machine in an emergency.

Retain this manual and all other literature supplied with your machine for future reference.

Safety instructions

Training

- Never allow children or persons who are unfamiliar with this type of machine to use it, nor anyone who has not read this leaflet.



Do not allow children, animals or other persons near your machine when in use - always keep them at least 6m (20ft) away from the cutting area.

- Remember that the operator/user is responsible for accidents or hazards occurring to other people or their property.

Preparation

- To protect your feet, always wear stout shoes or boots - freshly cut grass is damp and slippery.
- Use a face mask if dusty.
- Do not operate in gaseous explosive atmospheres.
- Do not mow barefoot or in open sandals.
- Wear long trousers to protect your legs - any debris left on the lawn or cutting path may be picked up and ejected by the blades.
- Always be sure your machine is in a safe operating condition.



- Before using your machine, remove safety key and visually check that the blade, blade nut and cutter assembly are not worn or damaged. A damaged blade or worn blade nut is a major hazard and must be replaced. Also check that the blade nut is securely fastened.
- Always check that your lawn or cutting path is clear of all sticks, stones, wire and other debris. Contact with such debris may be dangerous or may damage your mower and could be thrown by the blade.
- Check grassbox frequently for wear or damage.

Operation

- When tilting the handle downwards (or to the side) to start your mower, do not tilt it more than is absolutely necessary. Always ensure that both hands are in the operating position and feet are well away from the blades before returning your mower to the ground, and commence cutting using both hands to guide it.
- Avoid accidental starting. Ensure switch is off when inserting safety key.



Your mower will continue to run for a short time after releasing the switch lever. Always allow your mower to stop on its own.

- Release switch lever to turn mower off and remove the safety key:
 - Whenever you leave your machine unattended.
 - Before checking, cleaning or working on the mower.
 - Before clearing a blockage.
 - If the mower starts to vibrate abnormally (check immediately).
 - After striking a foreign object. Inspect the mower for damage and make repairs as necessary.
- Never run the unit whilst on its' side or attempt to stop the blade - always allow it to stop on its own.
- Do not put hands or feet near or under rotating parts.
- Keep clear of discharge openings at all times.



ENGLISH



- Avoid using the machine during rain and avoid wet grass if possible.
- Mow only in daylight or good artificial light.
- Do not pull your machine towards you or walk backwards when mowing.
- Do not cross gravel paths or roads whilst the blade is rotating.
- Always be sure of your footing, particularly on slopes.
- Always mow across the face of slopes, never up and down. Exercise extreme caution when changing direction on slopes.
- Do not cut excessively steep slopes and always wear non-slip footwear.
- Check the grassbag frequently for wear or damage, and replace if necessary.
- Walk, never run. Do not force the mower.
- Never pick up or carry your mower while the motor is running.
- Ensure the blades have stopped rotating when tilting for transporting the mower to and from the area to be mowed.
- When transporting your unit, always remove the safety key, adjust the cut height setting to a mid position and take extreme care when lifting.
- Never operate the mower with defective guards or shields.
- In order to prevent accidental starting or unauthorised use of your lawnmower, a removable safety key has been supplied with your mower. The mower will be completely disabled when this safety key has been removed from the mower. Always remove the key before doing any cleaning or maintenance and especially before changing the blade.
- If for any reason you come in contact with battery electrolyte flush with water immediately, seek medical advice if it comes in contact with eyes.



Maintenance and storage

- Store your machine in a dry place when not in use, remove the safety key and place out of the reach of children.
- Do not use solvents or cleaning fluids to clean your machine - use a blunt scraper to remove grass and dirt. Always remove the safety key before cleaning.
- Do not charge or store the unit outdoors.
- Do not operate your machine if any parts are defective; discard all defective parts and fit new parts before use.
- Replace worn or damaged parts for safety.

- Keep all nuts, bolts and screws tight to be sure your mower is in a safe working condition.
- Use only Black & Decker recommended replacement parts and accessories.

Black & Decker's policy is one of continuous improvement to our products and, as such, we reserve the right to change product specifications without prior notice.

Features (Fig. A)

A

Your purchase of the Black & Decker lawnmower gives you a product combining quality with modern design and the following features, to provide safe, efficient and easy mowing.

- Cordless - there is no need for extension cables while mowing.
- Gasless - there is no need for petrol and oil to buy, mix, store or transport.
- Clean - there are no emissions, the mower is environmentally friendly.
- Rechargeable batteries - provides reliable power.
- Easy to start - starts first time every time.
- Specially designed switch box and safety key to prevent accidental starting of the mower.
- Ergonomically designed upswept handle for comfortable use and greater manoeuvrability.
- A blade brake for added safety. Stops the blade from rotating within 3 seconds, once the switchbox lever is released.
- Large handle wing nuts for easy assembly and storage.
- Fourteen height of cut positions which provides the flexibility to deal with most grass conditions.
- Your mower has 360° rotating wheels for maximum manoeuvrability, which allows cutting right up to the edge of the lawn as well as around obstructions.
- The rear wheels are lockable to enable accurate straight-line cutting.
- Easy grassbox removal.
- Tough, durable plastic deck which will not rust and contributes to low noise and low vibration.



- Powerful and efficient permanent magnet motor which gives effective cutting and bagging in all reasonable conditions and a low noise level.

Carton contents

The carton contains:

- 1 Lawnmower body
 - 1 Handle assembly (3 parts)
 - 1 Grassbox assembly (2 parts)
 - 1 Spanner/scrapper
 - 1 Screwdriver
 - 1 Battery
 - 1 Battery cover
 - 1 Charger
 - 1 Safety key
 - 1 Spare fuse
 - 2 Wing nuts
 - 2 Washers
 - 2 Shaped washers
 - 2 Bolts for upper handle
 - 2 Bolts for lower handle
 - 5 Screws for grassbox
 - 1 Wiper (UK only)
 - 2 Screws for wiper (UK only)
 - 2 Cable clips
 - 1 Instruction manual
- Carefully unpack all parts.

Assembling the handle

- Place the mower with its wheels on a firm and level surface.
- B1**
- Insert the handle bars into the openings as shown in fig. B1, so that the curve makes them widen at the top.
 - Secure each of the bars with a bolt and shaped washer as shown. Securely tighten the bolt using the spanner supplied.
- B2**
- Place the U-shaped upper handle bar onto the bars as shown.
- B3**
- Secure the upper handle bar using the bolts, washers and wing nuts as shown.
 - Secure the cables to the handle using the cable clips supplied.



Do not use any tools to tighten the wing nuts.

Grassbox assembly (Fig. C)

The grassbox comes supplied in two halves. In order to assemble proceed as follows:

- C1**
- Align the two halves of the grassbox as shown.
 - Fit the two halves together with the 5 screws, using the screwdriver supplied.

Fitting the grassbox to your mower:

- C2**
- The spring loaded rear flap is lifted and the top of the grassbox is placed over the mounting.
 - The rear flap can now be released to lock the grassbox into position.

Removing the grassbox from your mower:

The full grassbox may be removed by raising the grassflap, freeing the grassbox from its mounting and resting it on the lawn. The grassflap can be gently lowered, leaving both hands free to lift the full grassbox.

Battery Cover Fitting

- C3**
- Assemble battery cover provided inserting hinge no. 1 into mower body then push home hinge no. 2.

Fitting the Battery strap

- C4**
- Locate the battery and its carrying strap.
 - Fit the battery carrying strap as shown.
 - The strap should be kept on the battery at all times.

Battery information

- The battery in your cordless lawnmower is a sealed lead acid system. The battery employs an absorbed electrolyte and, can therefore, be stored in any position without fear of leakage.



The battery has been charged at the factory, but you will need to recharge it for a minimum of 30 hours before every use to make sure it is fully charged.

- For optimal performance the battery should be recharged after each use.
- **For winter storage ensure:**
 - **The mower is fully charged before storing.**
 - **The temperature of the storage location is below 25°C.**
 - **Storage duration is less than 6 months.**
- Always store your mower in a dry and cool location.
- Keep the mower and battery away from water, heat sources (such as radiators, heaters, stoves etc.), flames or chemicals.



Charging instructions



- Always charge your mower indoors in a well ventilated area, where it is dry and protected from the weather.
- Charge mower in a location where the temperature is more than 5°C (41 F) and below 40°C (104°F).



Warning! Do not attempt to charge non-rechargeable batteries.

To charge

- The battery on your mower can be charged on the mower or can be removed and charged away from the mower if a mains socket is not at hand.

To charge the battery ON the mower

- Remove the safety key and store in a safe place away from children.
- Open the battery cover by sliding the catch and opening upwards.
- Disconnect the battery lead (red and black) by pulling it from the socket at the side of the battery recess.
- The red and black socket of the charger is then connected to the red and black socket of the battery.

Note: The charger socket will fit one way only.

- Connect the charger to the mains socket and switch on.
- The red indicator on the charger will turn on. This indicates that the battery is being charged.

Double light charger

- When the battery becomes charged, normal time 24 to 30 hours, the red light will go out and the green light will turn on.
- It is safe to leave your battery on charge until ready to use.

When charging is finished

- Disconnect the charger from the battery and connect the battery to the socket on the mower.
- Your mower is now ready for use.

To charge the battery OFF the mower

- Remove the safety key and open battery cover as described above and disconnect the battery.
- Lift out battery out of the mower using the carry handle.
- Charge as described above.
- After charging, replace in mower and connect to the mower socket.

ENGLISH

Battery disposal

When the mower's battery requires replacing discharge the energy from the battery by running the mower until the motor stops. Remove the battery from the mower.



Warning: The battery may still have some residual charge even after the motor stops. It is therefore necessary to protect against accidental short circuit of the battery terminals with uninsulated tools or materials of a conductive nature, such as, but not limited to steel wool or aluminium foil.

Batteries must be disposed of in a responsible manner.



This symbol indicates the lead acid battery contained within this unit must be disposed of properly and not discarded in everyday household waste which may be disposed of in an incinerator or landfill site.



Lead acid batteries can be harmful to the environment and can explode when exposed to fire. **Do not incinerate.**

The battery should be taken to a Black & Decker service centre, your local dealer or your local recycling station. If necessary, contact your local authority for disposal information.

If the cutting performance begins to deteriorate, please refer to the "Fault finding" guide.



Warning! It is essential that the red lead is fitted to the red terminal and the black lead is fitted to the black terminal when installing a new battery.

How to use your mower (Fig. E)

Important! Always observe all the relevant warnings when using your machine.



Warning! Never attempt to operate your machine with one hand. You must guide your machine with both hands.



Safety key

- In order to prevent accidental start-up or unauthorised use of your cordless mower, a removable safety key has been incorporated into the design of your mower. The mower will be completely disabled when this safety key has been removed from the mower.
- Always use the grassbox provided.



Warning! Always remove the safety key from mower when leaving it unattended, even for a short period of time.

- Your safety key will be found in the parts pack (plus one spare fuse).

Starting

E1

- Insert the safety key into position and push fully home.
- Tilt the handle downwards to slightly raise the front of your mower and to reduce the risk of lawn damage whilst starting, depress the safety lock-off button on the switchbox and whilst still depressed pull the switch lever towards you. Your mower will start and you can now allow the lock-off button to be released and lower your mower to its proper cutting position, and commence cutting using both hands to guide it.
- To turn the mower off, just release the lever. The spring-loaded "snap-action" lever will relocate itself back into its original position inside the switch housing.

Note: Your mower has 360° rotating wheels for maximum manoeuvrability. The rear wheels can be locked into position for straight, accurate, cutting as follows:

E2

- Push the mower forwards until all the wheels rotate towards the rear of the mower.

E3

- Pull the locking lever on the left-hand side of the mower until the ratchet engages.

E4

- To unlock the wheels push the release button forwards.

E5

- Should the lever fully engage on the ratchet, but the rear wheels not lock into place, then release the lever, unscrew the cable adjustment by one turn and re-engage the lever and ratchet. Repeat until the wheels fully lock into position.

Your mower will continue to operate whilst you are pulling the switch lever. To stop your mower release the switch lever.

When you have finished using your mower we recommend that you clean all debris from it before putting it away. Refer to the 'Care and maintenance' section.

Note: To obtain the best results cut your lawn or grassed area regularly and do not cut when the grass is wet.

If, when mowing, loose grass is seen to be scattered from beneath the mower, the grass-bag is probably full and should be emptied.

Manoeuvrability (Fig. D)

Your mower has fully rotating wheels and as such is capable of manoeuvring around trees posts and other objects. It also allows accurate mowing of contoured features in your garden like flower beds.

For maximum manoeuvrability release the rear wheel locking mechanism by pushing the release button forwards.

Height of cut adjustment (Fig. F)



Warning! Remove the safety key before making any adjustment and give the blade time to stop rotating: the cutting blades are sharp.

F1

- Flip the lever outwards and hold it firmly.
- Using the lever, rotate the knob to set the desired height of cut.

F2

- Flip the lever back to lock the knob.
- To produce a stripe on your lawn, first slide the striping flap in position and fix with the 2 screws provided, then adjust the height of cut to a low position (UK only).

Note: For longer or uneven growth lawns (particularly the first cut of the season) first use a higher height setting and then finish with a second cut to the desired length.

Maintenance of blades

The steel blade is designed to give a fine finish in long or tough grass.

If, however, because of damage or wear the cutting performance deteriorates, then the mower may require a new blade, or at least the existing blade to be sharpened.

We recommend that the steel blade is sharpened or a new blade fitted at the beginning of the season.

Replacement blades are available from Black & Decker dealers and service centres.



Warning! When fitting a new blade use only the Black & Decker replacement part specified for your machine - do not attempt to fit any other blade.

Fitting new blade (Fig. G)



Observe all the relevant warnings before changing the blade.

Warning! Remove safety key before changing the blade.

G

- Turn your mower over on its side so that the underside of the cutter cover is exposed.



ENGLISH

- Using a cloth placed over the blade or heavy duty gloves to protect your hands, grip the blade and, using a spanner, loosen and remove the nut from the motor spindle. Turn the nut in an anti-clockwise direction to loosen it.
- The blade can now be replaced and the washer and nut reassembled.

Note: Some mowers are fitted with a clutch washer, between the blade nut and the blade, which must be reassembled at all times.

Overload protection (Fig. H)

- Your machine is fitted with overload protection. If you work too quickly in long grass, or in heavy conditions, you may overload the motor. If this occurs, the safety key fuse will blow, causing the machine to stop.
- This is not a fault of the machine but a safety device to protect your machine.
- When this occurs, remove the safety key and inspect the fuse link. If link is broken, the fuse has blown and needs to be replaced with a new fuse. One of which is supplied as a spare in your parts pack. Alternatively, you can purchase a new key from any Black & Decker service centre.

H

To obtain the best results:

- Cut the grass regularly.
- Do not cut wet grass.
- When the grass is longer than 10cm (4 inches), it is advisable to go over the lawn on a high cut setting and then finish using a lower setting.

Care and maintenance

The advice given in this section covers the general care and maintenance of the main body of your mower. Advice relating to the blades is given in "Maintenance of blades". Advice relating to the maintenance and storage of the battery is given in "Battery information".

- Always keep your machine clean and free from grass cuttings, especially the underside of the cutter deck and the air vents.
- At the end of each cutting session we recommend that the build up of grass on the underside of the cutter cover is removed using a blunt scraper, the spanner included with this mower may be used for this purpose.
- Clean all plastic components with a damp cloth.
- **Caution!** Do not use solvents or cleaning fluids as these may damage the plastic components of your mower.

Hints for optimum use

- When cutting long grass, set the mower to the highest height of cut.
- Fully charge the battery before first use.
- Charge the battery immediately after use.
- Before storing, fully charge the battery.
- Do not store the mower or battery at extreme temperatures.
- If the battery is stored for a long period of time, regularly charge it.
- **Note** that after prolonged storage the battery will only attain full capacity after several discharge/charge cycles.

Fault finding

If your mower does not operate correctly, use the following table to locate the problem.

Problem	Solution
Mower does not run when switch lever is activated	(a) Check to make sure safety key has been inserted correctly. (b) Remove the safety key, turn mower over and check that the blade is free to turn. (c) Has battery been fully charged? (d) Check that the fuse has not blown.
Mower stops when mowing	(a) Remove safety key. Turn mower over and check that blade is free to turn. (b) Raise cutting height of wheels and start mower. (c) Has battery been fully charged? (d) Inspect safety key fuse link, if broken the safety key has blown and requires replacement.
Mower runs but cutting performance is poor	(a) Has battery been fully charged? (b) Battery may need replacing. Refer to 'Battery disposal' section.
Mower is too hard to push	(a) Raise cutting height to reduce drag on grass. Check each wheel for ease of rotation.
Mower is abnormally noisy and vibrates	(a) Remove safety key. Turn unit on its side and check blade for damage. If damaged replace with Black & Decker replacement blade. (b) If there is no visible damage to the blade or underside of the mower return to your local service centre or authorised dealer.



Warning! Always remove safety key before carrying out any inspection.

Protecting the environment

Tools



Black & Decker provides a facility for recycling Black & Decker products and rechargeable batteries once they have reached the end of their working life. This service is provided free of charge. To take advantage of this service please return your product to any authorised repair agent who will collect them on our behalf.

Batteries



Black & Decker batteries can be recharged many times. At the end of their useful life, discard batteries with due care for our environment:

- Run the battery down completely, then remove it from the tool.
- Batteries are recyclable. Take them to any authorised repair agent or a local recycling station.

You can check the location of your nearest authorised repair agent by contacting your local Black & Decker office at the address indicated in this manual. Alternatively, a list of authorised Black & Decker repair agents and full details of our after-sales service and contacts are available on the Internet at: www.2helpU.com.

Guarantee

Black & Decker is confident of the quality of its products and offers an outstanding guarantee. This guarantee statement is in addition to and in no way prejudices your statutory rights. The guarantee is valid within the territories of the Member States of the European Union and the European Free Trade Area.

If a Black & Decker product becomes defective due to faulty materials, workmanship or lack of conformity, within 24 months from the date of purchase, Black & Decker guarantees to replace defective parts, repair products subjected to fair wear and tear or replace such products to ensure minimum inconvenience to the customer unless:

- The product has been used for trade, professional or hire purposes;
- The product has been subjected to misuse or neglect;
- The product has sustained damage through foreign objects, substances or accidents;
- Repairs have been attempted by other persons than authorised repair agents or Black & Decker service staff.

To claim on the guarantee, you will need to submit proof of purchase to the seller or an authorised repair agent. You can check the location of your nearest authorised repair agent by contacting your local Black & Decker office at the address indicated in this manual. Alternatively, a list of authorised Black & Decker repair agents and full details of our after-sales service and contacts are available on the Internet at: www.2helpU.com.

Other outdoor tools

Black & Decker has a full range of outdoor power tools that make life in the garden easy. If you would like further information on the following products, please contact our Service and Information Centre (see the address page towards the end of this manual) or your local Black & Decker retailer.

String trimmers
Chainsaws
Cordless shear
Hedgetrimmers
Lawnmowers
Lawnrakers
Leafbusters
Shredders

Not all products are available in all countries.

EC Declaration of Conformity

GFC1234/GFC1238/GFC2438

Black & Decker declares that these tools conform to:

98/37/EC, 89/336/EEC, 73/23/EEC,
 EN 55014, EN 60335, EN 61000,
 2000/14/EC, Lawn mower, L ≤ 50 cm,
 Annex VIII, No. 0086

B.S.I., HP2 4SQ, United Kingdom

Level of sound pressure, measured according to 2000/14/EC:

L_{pA}	(sound pressure)	dB(A)	79
L_{WA}	(acoustic power)	dB(A)	93
L_{WA}	(guaranteed)	dB(A)	96

Hand/arm weighted vibration value according to EN 50144: < 2.5 m/s²

Brian Cooke

Director of Engineering
 Spennymoor, County Durham DL16 6JG,
 United Kingdom
 1-12-2001



Tosaerba rotativo senza filo

Manuale d'istruzioni

Congratulazioni

Per aver acquistato il tosaerba senza filo Black & Decker. Il presente manuale utente contiene importanti istruzioni di funzionamento e manutenzione per tutti i tosaerba della gamma Black & Decker senza filo.

Imparare a conoscere la macchina



Leggere attentamente tutto il manuale di istruzioni e osservare tutte le precauzioni di sicurezza (avvertenze) prima, durante e dopo l'utilizzo dell' utensile e mantenerlo sempre in buone condizioni d'utilizzo.



Familiarizzare con tutti i comandi dell' utensile prima di iniziare ad usarlo, ma soprattutto assicurarsi di sapere come spegnerlo in caso di emergenza.

Conservare questo manuale e tutti i deplianti forniti per ogni riferimento futuro.



- Prima di usare la macchina, togliete la chiave di sicurezza e controllate che la lama, il suo dado e tutta la zona di taglio non siano danneggiate o usurate. Lame danneggiate o usurate devono essere sostituite. Assicuratevi anche che il dado fissa- lama sia ben stretto.
- Controllare sempre che nel prato o nella zona di taglio non vi siano ramoscelli, pietre, fili e altri detriti. I denti del rastrello potrebbero proiettarli all'esterno creando una situazione pericolosa o danneggiando l'apparecchio.
- Controllare di frequente la scatola raccoglierba onde accertarsi che non sia usurata né danneggiata.

Utilizzo

- Nell'inclinare l'impugnatura verso il basso (o di lato) per avviare il tosaerba, non inclinarla oltre lo stretto necessario. Assicurarsi sempre che entrambe le mani siano nella posizione operativa e che i piedi siano ben lontano dalle lame prima di riappoggiare il tosaerba sul suolo ed iniziare a tagliare usando entrambe le mani per guidarla.
- Evitate accensioni accidentali. Assicuratevi che l'interruttore sia sulla posizione di spento prima di inserire la chiave di sicurezza.



Dopo aver sbloccato la leva di comando l'apparecchio continuerà a funzionare per breve tempo. Aspettare che si fermi da solo.

- Per spegnere la macchina, rilasciate la leva interruttore e togliete la chiave di sicurezza ogni volta che:
 - Lasciate la macchina incustodita.
 - Prima di controllare, pulire o lavorare sulla macchina.
 - Prima di rimuovere un ostacolo che la blocchi.
 - Il tosaerba cominci a vibrare in modo anomalo (controllate subito).
 - Veniate a contatto con un oggetto, ispezionate la macchina e procedete a riparare se necessario.
- Non accendete mai la macchina posta su un fianco e non tentate mai di fermare

Norme antinfortunistiche

Addestramento

- Non lasciate mai che bambini o persone non familiari con questo tipo di macchina o che non abbiano letto il presente manuale possano usare l' utensile.



Non lasciate avvicinare bambini o animali o altre persone mentre state usando la macchina - fateli sempre stare ad almeno 6 metri di distanza dalla zona di taglio.

- Ricordate che l'operatore è legalmente responsabile di eventuali danni o ferimenti a terzi.

Preparazione

- Per proteggere i vostri piedi portare sempre scarpe protettive e antisdrucciolo - l'erba appena tagliata è umida e scivolosa.
- Usate una maschera protettiva in presenza di polveri sospese.
- Non lavorate in ambienti gassosi o esplosivi.
- Non lavorate a piedi nudi o con sandali aperti.
- Portate pantaloni lunghi per proteggere le vostre gambe da eventuali sassi o detriti scagliati dalle lame.
- Assicuratevi che la vostra macchina sia sempre in buone condizioni operative.



- la lama - lasciate sempre che si fermi da sola.
- Non mettete le mani o i piedi vicino o sotto parti in movimento.
 - State sempre alla larga dalle aperture di scarico.
 - Evitate di usare la macchina sotto la pioggia ed evitate erba bagnata se possibile.
 - Lavorate solo con luce solare o in buona luce artificiale.
 - Durante il lavoro non tirate la macchina verso di voi e non camminate all'indietro.
 - Non attraversate viottoli sassosi o strade con la lama in movimento.
 - Mantenete sempre un buon equilibrio particolarmente su pendii.
 - Lavorate sempre di traverso a pendii, mai dall'alto al basso. Fate attenzione ai cambi di direzione.
 - Non lavorate su pendii troppo ripidi e portate sempre scarpe antidrucciolo.
 - Controllate frequentemente sul sacchetto eventuali segni di usura o danni e sostituitelo se necessario.
 - Non usate mai la macchina senza il sacchetto montato.
 - Camminate, non correte. Non forzate la macchina.
 - Non sollevate o trasportate la macchina con il motore acceso.
 - Assicuratevi che le lame si siano fermate prima di rovesciare o trasportare la macchina.
 - Durante il trasporto, rimuovete sempre la chiave di sicurezza, regolate la profondità di taglio ad una altezza media e sollevate la macchina con estrema attenzione.
 - Non utilizzate la macchina con protetioni danneggiate.
 - Per evitare l'avviamento accidentale o l'uso non autorizzato del tosaerba, esso è stato dotato di una chiave di sicurezza estraibile. Togliendo questa chiave di sicurezza dal tosaerba, esso viene completamente disattivato. Togliere sempre la chiave prima di intraprendere qualsiasi operazione di pulizia o manutenzione e specialmente prima di sostituire la lama.
 - Se per qualsiasi ragione si viene a contatto con l'elettrolito della batteria, lavarsi immediatamente con acqua e richiedere assistenza medica se esso viene a contatto con gli occhi.



Cura della macchina

- Riponete la macchina non in uso in un

luogo asciutto e lontano dalla portata dei bambini. Rimuovete la chiave di sicurezza.

- Non usate solventi o altri composti chimici per pulire la macchina. Usate uno scalpello non affilato per rimuovere la terra e l'erba. Prima di pulire la macchina scollegate sempre la spina.
- Non ricaricate o riponete la macchina all'aperto.
- Non utilizzate la macchina con parti difettose. Sostituite sempre le parti difettose prima di lavorare.
- Sostituite parti danneggiate o usurate.
- Mantenete i dadi e le viti ben stretti.
- Usate solo parti ed accessori originali Black & Decker.

Black & Decker si riserva di innovare o modificare le specifiche dell'utensile senza previo avviso.

Caratteristiche (Fig. A)

A

L'acquisto di questo tosaerba Black & Decker vi offre un prodotto che combina qualità con un design moderno e le seguenti caratteristiche che assicurano un lavoro sicuro, facile ed efficiente.

- Senza filo - non occorrono prolungha durante il lavoro.
- Senza carburante - non serve acquistare, miscelare e conservare benzina e olio.
- Pulizia - non ci sono emissioni di alcun tipo. La macchina è ecologica.
- Batterie ricaricabili - assicurano un'alimentazione affidabile.
- Facile da accendere - parte al primo colpo ogni volta.
- Scatola interruttore appositamente disegnata con chiave di sicurezza per prevenire accensioni accidentali.
- Impugnatura a design ergonomico per un utilizzo comodo e per facilità di conduzione.
- Un freno lama per un'ulteriore sicurezza. Il freno impedisce la rotazione delle lame entro 3 secondi dal rilascio della leva della scatola dell'interruttore.
- Galletti di fissaggio di grandi dimensioni per un montaggio più semplice.
- 14 posizioni di altezza di taglio che offrono la flessibilità necessaria per affrontare la maggior parte delle condizioni dell'erba.
- Il tosaerba è munito di ruote orientabili a



ITALIANO

360° per la massima manovrabilità; il che consente di tagliare l'erba fino al bordo del prato, nonché intorno agli ostacoli.

- Le ruote posteriori sono bloccabili per consentire il taglio rettilineo accurato.
- Facile meccanismo di rimozione del contenitore raccogliherba.
- Corpo in plastica robusto e durevole che non arrugginisce e che consente di contenere il rumore e le vibrazioni.
- Potente ed efficiente motore a magneti permanenti che assicura prestazioni di taglio e raccolta efficaci in tutte le condizioni ragionevoli di impiego ed un basso livello di rumorosità.

Contenuto della scatola

- 1 Struttura principale tosaerba
- 1 Impugnatura (3 pezzi)
- 1 Cestello raccogliherba (2 pezzi)
- 1 Chiave a settore /raschietto
- 1 Cacciavite
- 1 Batteria
- 1 Coperchio della batteria
- 1 Caricatore
- 1 Chiave di sicurezza
- 1 Fusibile di ricambio
- 2 Dadi ad alette
- 2 Rondelle
- 2 Rondelle sagomate
- 2 Bulloni per l'impugnatura superiore
- 2 Bulloni per l'impugnatura inferiore
- 5 Viti per cestello raccogliherba
- 2 Fermacavo
- 1 Libretto d'istruzioni
 - Disimballate con cura tutte le parti.

Montaggio dell'impugnatura

- Collocare il tosaerba poggiandone le ruote su una superficie stabile e piana.
- B1**
- Inserire le barre dell'impugnatura nelle aperture, come indicato nella fig. B1, in modo tale che la curva le faccia allargare nella parte superiore.
 - Fissare ognuna delle barre con un bullone e una rondella sagomata, come illustrato. Stringere saldamente il bullone usando la chiave a settore fornita.
- B2**
- Collocare la barra dell'impugnatura superiore a forma di U sulle barre come illustrato.

- B3**
- Fissare la barra dell'impugnatura superiore usando i bulloni, le rondelle e i dadi ad alette, come illustrato.
 - Fissare i cavi all'impugnatura usando i fermacavo forniti.



Non usare nessun utensile per stringere i dadi ad alette.

Montaggio del contenitore raccogliherba (Fig. C)

Il contenitore raccogliherba viene fornito suddiviso in due metà. Per assemblarlo, procedere nel modo seguente:

- C1**
- Allineare le due metà del cestello raccogliherba, come illustrato.
 - Fissare reciprocamente le due metà con le 5 viti, usando il cacciavite fornito.

Montaggio del contenitore raccogliherba al tosaerba:

- C2**
- Sollevare il deflettore posteriore caricato a molla ed inserire la sommità del contenitore raccogliherba sopra il supporto.
 - Lasciare, quindi, il deflettore posteriore per bloccare il contenitore raccogliherba in posizione.

Smontaggio del contenitore raccogliherba dal tosaerba:

Una volta riempito, il contenitore raccogliherba può essere sganciato sollevando il deflettore, liberando il contenitore dal suo supporto ed appoggiandolo sul prato. Il deflettore può essere abbassato delicatamente lasciando all'utilizzatore entrambe le mani libere per sollevare il contenitore raccogliherba pieno.

Montaggio del coperchio della batteria

- C3**
- Assemblare il coperchio della batteria fornito, inserendo la cerniera N. 1 nel corpo del tosaerba quindi spingere in sede la cerniera N. 2.

Staffa della batteria

- C4**
- Identificare la batteria con la relativa staffa di supporto.
 - Montaggio della cinghia della batteria
 - Chiudere la staffa a scatto verificandone la corrispondenza con ogni foro.
 - Tenere sempre la staffa sulla batteria.



Informazioni sulla batteria



- La batteria contenuta nel vostro utensile è del tipo al piombo. L'elettrolita è contenuto in elementi assorbenti; pertanto la batteria può essere riposta in qualsiasi posizione senza pericolo di perdite.
- **La batteria è stata caricata in sede di produzione, tuttavia bisognerà ricaricarla per almeno 30 ore prima di ogni uso, onde assicurarsi che sia completamente carica.**
- Per ottenere le prestazioni migliori la batteria dovrebbe essere ricaricata dopo ogni utilizzo.
- **Durante il periodo invernale, avendo riposto l'utensile, assicuratevi che:**
 - **Il tosaerba sia completamente carico prima di essere riposto.**
 - **La temperatura del luogo ove è riposto l'utensile sia inferiore a 25 gradi.**
 - **Il periodo di fermo sia inferiore a 6 mesi.**
- Riponetelo l'utensile in luogo fresco e asciutto.
- Tenete l'utensile e la batteria lontano dall'acqua, da fonti di calore (p.es. caloriferi, stufe ecc.), fiamme e agenti chimici.

Istruzioni di caricamento



- Caricate sempre le batterie all'interno, in una area ben ventilata, secca ed al riparo da agenti atmosferici.
- Caricate le batterie in un ambiente dove la temperatura sia superiore a 5 gradi ed inferiore a 40 gradi.



Attenzione! Non cercate di caricare batterie non ricaricabili.

Per caricare

- È possibile caricare la batteria direttamente sul tosaerba oppure, se nelle vicinanze non è disponibile una presa di rete, toglierla e caricarla in altra sede.

Carica della batteria SUL tosaerba

- Estrarre la chiave di sicurezza e conservarla in un luogo sicuro fuori dalla portata dei bambini.
- Rimuovere completamente il coperchio della batteria premendo sugli appositi simboli di bloccaggio posti sui due lati.
- Scollegare il cavo della batteria (filo rosso e nero) staccandolo dalla presa a lato dell'apposita sede.

- Collegare la presa rossa e nera del caricabatterie alla presa rossa e nera della batteria.

Nota: La presa del caricabatterie si infila da una parte sola.

- Collegare il caricabatteria alla presa di corrente ed accenderlo.
- L'indicatore rosso sul caricatore si accende. Ciò indica che è in corso il caricamento della batteria.

Caricatore a doppio indicatore luminoso

- Una volta che la batteria è stata caricata, normalmente in 24 - 30 ore, l'indicatore luminoso rosso si spegne e si accende l'indicatore luminoso verde.
- È possibile lasciare la batteria sotto carica fino a quando è pronta per l'uso, senza alcun rischio.

Al termine del caricamento

- Staccare il caricabatteria dalla batteria e collegare quest'ultima alla presa sul tosaerba.
- Il tosaerba è ora pronto per l'uso.

Per caricare la batteria FUORI dal tosaerba

- Togliere la chiavetta di sicurezza ed aprire i coperchi della batteria nel modo sopra descritto e scollegare la batteria.
- Estrarre la batteria dal tosaerba usando l'impugnatura per il trasporto.
- Caricare la batteria nel modo descritto.
- Dopo aver ricaricato la batteria, rimetterla a posto nel tosaerba e collegarla alla presa del tosaerba.

Batterie esaurite

Dovendo sostituire la batteria, scaricatela completamente facendo girare il motore fino a quando non si fermi. Rimuovete la batteria dall'utensile.



Attenzione! La batteria può trattenere un residuo di carica anche se il motore si ferma. È pertanto necessario proteggersi da eventuali corto-circuiti dei terminali della batteria con utensili non isolati o materiali di natura conduttiva come p.es. ma non solo, fogli di alluminio e lana di ferro.

Le batterie devono essere eliminate in modo responsabile.



Questo simbolo indica che la batteria al piombo contenuta in questo utensile deve essere eliminata in modo corretto e non gettata nei rifiuti casalinghi che potrebbero essere distrutti in un inceneritore o in una cava.



ITALIANO



Le batterie al piombo possono essere dannose per l'ambiente e possono esplodere a contatto con il fuoco. **Non bruciatele.**

La batteria deve essere riportata ad un centro di assistenza Black & Decker, al vostro rivenditore o alla vostra stazione di riciclaggio locale.

Se la qualità del taglio inizia a peggiorare fate riferimento al paragrafo "ricerca di malfunzion".



Avvertenza! È essenziale che il cavo rosso venga montato al terminale rosso e che il cavo nero venga montato al terminale nero durante l'installazione di una nuova batteria.

Come utilizzare il tosaerba (Fig. E)

Importante! Osservate sempre tutte le norme di sicurezza durante l'utilizzo del vostro tosaerba.



Attenzione! Non tentate mai di utilizzare la macchina con una sola mano. La macchina deve essere guidata con entrambe le mani.



Chiave di sicurezza

- Per evitare accensioni accidentali o un uso non autorizzato del vostro tosaerba a batteria, è stata incorporata una chiave di sicurezza nel design dell'utensile. Togliendo la chiave, il tosaerba è totalmente inutilizzabile.
- Usare sempre la scatola raccogliherba fornita.



Attenzione! Togliete sempre la chiave di sicurezza quando lasciate il tosaerba incustodito, anche se per poco tempo.

- La chiave di sicurezza è contenuta nel pacchetto dei ricambi (più un fusibile di ricambio).

Accensione

- Inserite la chiave di sicurezza.

E1

- Ruotate l'impugnatura verso il basso per sollevare leggermente la parte frontale del tagliaerba per ridurre i rischi di danneggiare il terreno accendendo l'utensile. Il tosaerba è dotato di tasto esclusione interruttore posto sulla scatola interruttore, tenendolo premuto tirate verso di voi la leva interruttore. Il tosaerba si avvierà ed adesso è possibile lasciare andare il pulsante di blocco. Abbassare il tosaerba nella sua corretta posizione di taglio ed iniziare a tagliare, usando entrambe le mani per guidarlo.
- Per spegnere il motore, rilasciate la leva. La leva è caricata a molla e tornerà automaticamente in posizione di partenza all'interno della sua sede.

Nota: il tosaerba è munito di ruote orientabili a 360° per la massima manovrabilità. Le ruote posteriori possono essere bloccate in posizione, onde ottenere un taglio rettilineo ed accurato, nel modo seguente:

E2

- Spingere il tosaerba in avanti fino a che tutte le ruote ruotano verso il retro del tosaerba.

E3

- Tirare la levetta di blocco posta sulla sinistra del tosaerba fino ad innestare il dente di arresto.

E4

- Per sbloccare le ruote spingere in avanti il pulsante di sgancio.

E5

- Nel caso che la levetta si innesti completamente sul dente di arresto ma le ruote posteriori non si blocchino in posizione, rilasciare la levetta, svitare di un giro il dispositivo di regolazione del cavo ed innestare nuovamente la levetta sul dente di arresto. Ripetere la procedura fino a quando le ruote si bloccano completamente in posizione.

Avendo terminato di usare il tosaerba, vi consigliamo di rimuovere tutti i detriti prima di riparlo. Ricordate di togliere la chiave di sicurezza prima di pulire la macchina. Vi preghiamo consultare la sezione "Cura e manutenzione" di questo manuale.

Nota: Per ottenere i risultati migliori, tagliate regolarmente l'erba e non tagliate quando l'erba è umida.

Se, durante il taglio dell'erba, viene notata dell'erba tagliata che si sparge da sotto il tosaerba, probabilmente la scatola raccogliherba è piena e deve essere svuotata.

Manovrabilità (Fig. D)

Il tosaerba è munito di ruote completamente orientabili e, pertanto, può essere manovrato attorno alla base di alberi, pali ed altri oggetti. Inoltre, esso consente di tagliare accuratamente i bordi ricurvi del giardino, come i bordi delle aiuole.

Per ottenere la massima manovrabilità, sbloccare le ruote posteriori premendo in avanti il pulsante di sblocco.



Nel manovrare il tosaerba usare sempre il fermo del cavo ed assicurarsi che il cavo non possa intralciare l'area in cui si desidera tagliare l'erba.



Regolazione dell'altezza di taglio (Fig. F)



Avvertenza! Rimuovete la chiave di sicurezza dall'alimentazione elettrica prima di effettuare qualsiasi regolazione ed aspettare che le lame si fermino: le lame sono affilate.

F1

- Spostare la leva verso l'esterno e mantenerla saldamente.
- Usando la leva, ruotare la manopola per impostare l'altezza di taglio desiderata.
- Riportare la leva nella posizione precedente per bloccare la manopola.

F2

- Per produrre un effetto striato sul prato, innanzitutto far scorrere il deflettore di striatura in posizione e fissare con le 2 viti fornite, quindi regolare l'altezza di taglio in una posizione bassa (solo GB).

Nota: per tagliare l'erba più lunga o di altezza irregolare (in particolare per eseguire il primo taglio della stagione) usare prima un'impostazione elevata dell'altezza e quindi eseguire una seconda passata con l'impostazione all'altezza desiderata.

Manutenzione delle lame

La lama in acciaio dà una buona finitura in erba alta o dura.

Se, a causa di danni o usura, le prestazioni di taglio si deteriorassero, è possibile che occorra sostituire la lama o quantomeno fare riaffilare quella in uso.

Vi consigliamo di riaffilare o sostituire la lama all'inizio della stagione.

Le lame di ricambio sono disponibili presso rivenditori o centri di assistenza Black & Decker.



Attenzione! Montando una nuova lama, utilizzate solo parti originali Black & Decker specifiche per la vostra macchina - non tentate di montare una lama qualsiasi.

Montaggio di una lama nuova (Fig. G)



Prima di sostituire la lama, osservate tutte le normali misure di sicurezza.

Attenzione! Togliete la chiave di sicurezza prima di sostituire la lama.

G

- Capovolgere il tosaerba in modo che la parte inferiore del tosaerba sia rivolta verso l'alto.
- Coprendo la lama con un panno, od usando dei guanti pesanti per proteggere le mani, afferrare la lama e, con una chiave, allentare e togliere il dado dall'alberino del motore. Per allentare il dado, ruotarlo in senso antiorario.

- È ora possibile rimettere a posto la lama e riassemblare il dado e la rondella.

Nota: Alcuni modelli sono forniti con una rondella posizionata tra la lama e il bullone, questa rondella deve essere sempre riposizionata nella giusta posizione.

Protezione anti-sovraccarico (Fig. H)

- La macchina è dotata di una protezione antisovraccarico. Se tagliate troppo velocemente in erba alta, o in condizioni particolarmente pesanti, è possibile che il motore venga sovraccaricato. In questo caso, si brucerà il fusibile della chiave di sicurezza, provocando l'arresto della macchina.

H

- Non si tratta di un guasto ma di un dispositivo di sicurezza per proteggere la macchina.
- Quando ciò accade, togliere la chiave di sicurezza ed ispezionare il collegamento del fusibile. Se il collegamento è interrotto, il fusibile è bruciato e deve essere sostituito con un fusibile nuovo. Un fusibile nuovo è contenuto nel pacco dei ricambi. Alternativamente, è possibile acquistare una nuova chiave presso qualsiasi centro di assistenza tecnica Black & Decker.

Per ottenere i risultati migliori:

- Tagliate regolarmente l'erba.
- Non tagliate erba umida.
- Quando l'erba è alta più di 10cm è consigliabile passare prima con un taglio più alto e poi rifinire ad una altezza più bassa.

Cura e manutenzione

I consigli dati in questa sezione coprono solo la cura e la manutenzione generali relativi ai corpo della macchina. Consigli relativi alle lame sono dati nella sezione "Cura e manutenzione delle lame".

Consigli relativi alla manutenzione e conservazione delle batterie sono dati nella sezione "Informazioni sulla batteria".

- Tenete sempre la macchina pulita e libera da residui di taglio, in modo particolare la parte inferiore e le griglie di ventilazione.
- Al termine di ogni sessione di taglio vi consigliamo di rimuovere i residui di erba accumulati sul lato inferiore utilizzando uno scalpello non affilato; è possibile usare la chiave inglese in dotazione a questo scopo.
- Pulite tutte le parti in plastica con un panno umido.
- **Attenzione!** Non usate trielina o altri solventi chimici o prodotti di pulizia in quanto potrebbero danneggiare le parti in plastica della macchina.



ITALIANO

Consigli per un uso ottimale

- Quando si taglia erba alta, impostare il tosaerba sulla massima altezza di taglio.
- Caricare completamente la batteria prima di usare l'apparecchio per la prima volta.
- Caricare la batteria immediatamente dopo averla usata.
- Prima di conservarla, caricarla completamente.
- Non conservare il tosaerba o la batteria in luoghi con temperature estreme.
- Se si conserva la batteria per un lungo periodo di tempo, caricarla ad intervalli regolari.
- Tenere presente che dopo aver conservato la batteria per un periodo di tempo prolungato, essa raggiungerà la piena potenza dopo diversi cicli di scarica / carica.

Ricerca di malfunzioni

Se la vostra macchina non funzionasse correttamente, utilizzate la seguente tabella per ricercarne le cause.

Problema	Soluzione
La macchina non parte azionando la leva interruttore	<p>a) Controllate che la chiave di sicurezza sia inserita correttamente.</p> <p>b) Togliete la chiave di sicurezza e girando la macchina controllate che la lama sia libera di girare.</p> <p>c) La batteria è ben carica? Collegare il caricabatteria e attendete che la luce verde si accenda.</p> <p>(d) Controllare che il fusibile non sia saltato.</p>
La macchina si ferma durante il lavoro	<p>a) Togliete la chiave di sicurezza e girando la macchina controllate che la lama sia libera di girare.</p> <p>b) Aumentate l'altezza di taglio e accendete la macchina.</p> <p>c) La batteria è ben carica? Collegare il caricabatteria e attendete che la luce verde si accenda.</p> <p>(d) Ispezionare il collegamento fusibile della chiave di sicurezza. Se esso è interrotto, vuol dire che il fusibile è saltato e deve essere sostituito.</p>
Il tosaerba funziona ma le prestazioni di taglio sono insoddisfacenti.	<p>a) La batteria è ben carica? Collegare il caricabatteria e attendete che la luce verde si accenda.</p>

b) Forse è necessario sostituire la batteria. Vedi la sezione relativa, 'Batterie esaurite'.

La macchina è troppo dura da spingere

a) Aumentate l'altezza di taglio per ridurre l'attrito sull'erba. Controllate che ogni ruota giri liberamente.

La macchina è insolitamente rumorosa e vibra

a) Togliete la chiave di sicurezza. Ponete la macchina su un fianco e controllate se la lama è danneggiata. Per la sostituzione usate solo parti originali Black & Decker.

b) Se non vi sono danni visibili alla lama o alla parte inferiore della macchina, riportatela ad un centro di assistenza Black & Decker.



Attenzione! Togliete sempre la chiave di sicurezza prima di effettuare ogni operazione.

Protezione dell'ambiente

Utensili



Black & Decker offre ai suoi clienti la possibilità di riciclare i prodotti Black & Decker e le batterie ricaricabili che hanno esaurito la loro vita di servizio. Il servizio viene offerto gratuitamente. Per utilizzarlo, è sufficiente restituire il prodotto a qualsiasi tecnico autorizzato, incaricato della raccolta per conto dell'azienda.

Batterie



Le batterie della Black & Decker si possono ricaricare più volte: al termine della loro vita di servizio, vanno messe negli appositi contenitori, per garantirne lo smaltimento nel rispetto dell'ambiente.

- Quando è completamente esaurita, la batteria va estratta dall'utensile.
- Le batterie sono riciclabili e vanno consegnate a qualsiasi tecnico autorizzato o portate presso un impianto di riciclaggio.

Per individuare il tecnico autorizzato più vicino, rivolgersi alla sede Black & Decker locale, presso il recapito indicato nel presente manuale. Altrimenti un elenco completo di tutti i tecnici autorizzati Black & Decker e i dettagli completi sui contatti e i servizi post-vendita sono disponibili su Internet presso: www.2helpU.com.



Garanzia

Certa della qualità dei suoi prodotti, Black & Decker offre una garanzia eccezionale. Il presente certificato di garanzia è complementare ai diritti statuari e non li pregiudica in alcun modo. La garanzia è valida entro il territorio degli Stati membri dell'Unione Europea e dell'EFTA (European Free Trade Area).

Se un prodotto Black & Decker risulta difettoso per qualità del materiale, della costruzione o per mancata conformità entro 24 mesi dalla data di acquisto, Black & Decker garantisce la sostituzione delle parti difettose, provvede alla riparazione dei prodotti se ragionevolmente usati oppure alla loro sostituzione, in modo da ridurre al minimo il disagio del cliente a meno che:

- Il prodotto non sia stato destinato ad usi commerciali, professionali o al noleggio;
- Il prodotto non sia stato usato in modo improprio o scorretto;
- Il prodotto non abbia subito danni causati da oggetti o sostanze estranee oppure incidenti;
- Il prodotto non abbia subito tentativi di riparazione non effettuati da tecnici autorizzati né dall'assistenza Black & Decker.

Per attivare la garanzia è necessario esibire la prova comprovante l'acquisto al venditore o al tecnico autorizzato. Per individuare il tecnico autorizzato più vicino, rivolgersi alla sede Black & Decker locale, presso il recapito indicato nel presente manuale. Altrimenti un elenco completo di tutti i tecnici autorizzati Black & Decker e i dettagli completi sui contatti e i servizi post-vendita sono disponibili su Internet presso: www.2helpU.com.

Altri utensili di giardinaggio

La Black & Decker ha una gamma completa di utensili per il giardinaggio che rende semplice la vita in giardino. Se desiderate ulteriori informazioni sui seguenti prodotti, vi preghiamo di contattare il nostro Centro D'Informazione e Manutenzione (vedere la pagina degli indirizzi alla fine di questo libretto d'istruzioni) od il vostro rivenditore Black & Decker

Tosatori a lame o a catena

Motoseghe

Scope elettriche

Tosasiepi a batteria

Tagliasiepi a batteria

Tosasiepi

Tosaerba

Rastrelli

Sramatori

Biotrituratori

Non tutti i prodotti sono disponibili in tutti i paesi.

Dichiarazione ce di Conformità

GFC1234/GFC1238/GFC2438

Black & Decker dichiara che questi utensili sono stati costruiti in conformità a:

98/37/CEE, 89/336/CEE, 73/23/CEE,
EN 55014, EN 60335, EN 61000,

2000/14/CEE, tosaerba, L ≤ 50 cm, Annex VIII,
No. 0086

B.S.I., HP2 4SQ, Regno Unito

Livello di rumorosità, dati ricavati in base alla
norma 2000/14/CEE:

L_{pA}	(rumorosità)	dB(A)	79
L_{WA}	(potenza sonora)	dB(A)	93
L_{WA}	(garantito)	dB(A)	96

Il valore medio quadratico ponderato
dell'accelerazione secondo EN 50144:

Brian Cooke

Direttore di Ricerca e Sviluppo
Spennymoor, County Durham DL16 6JG,
United Kingdom
1-12-2001



Akku-Rasenmäher

Bedienungsanleitung

Herzlichen Glückwunsch!

Zu Ihrem Erwerb eines kabellosen Rasenmähers von Black & Decker.

Diese Bedienungsanleitung enthält wichtige Betriebs- und Wartungshinweise für alle kabellosen 4x4 Rasenmäher von Black & Decker.

Machen Sie sich mit dem Gerät vertraut



Lesen Sie diese Anleitung sorgfältig durch. Beachten Sie vor, während und nach dem Arbeiten mit dem Gerät alle Sicherheitsanleitungen und halten Sie das Gerät in gutem Betriebszustand.

Machen Sie sich vor dem Arbeiten mit dem Gerät mit den Bedienelementen vertraut und stellen Sie sicher, daß Sie wissen, wie das Gerät im Notfall ausgeschaltet wird.

Bewahren Sie diese Anleitung und alle andere mit dem Gerät gelieferte Literatur für spätere Bezugnahme gut auf.



- Mähen Sie nicht barfuß oder mit offenen Sandalen.
- Tragen Sie zum Schutz Ihrer Beine lange Hosen. Fremdkörper, die im Mähbereich liegen, können vom Mähmesser unter dem Mäher hervorgeschleudert werden.
- Nehmen Sie Ihren Rasenmäher nur in einwandfreiem Zustand in Betrieb.
- Ziehen Sie vor Arbeitsbeginn den Sicherheitsschlüssel heraus und vergewissern Sie sich, daß das Messer, die Messerschraube und der Messerbalken nicht abgenutzt oder beschädigt sind. Defekte Messer und abgenutzte Messerschrauben müssen ersetzt werden. Prüfen Sie, ob die Messerschraube fest angezogen ist.
- Vergewissern Sie sich, daß Ihr Arbeitsbereich immer frei von Steinen, Draht und anderen Fremdkörpern ist. Derartige Teile könnten durch das rotierende Messer herumgeschleudert werden, bzw. das Gerät beschädigen.
- Überprüfen Sie den Grasfangkorb regelmäßig auf Verschleiß und Beschädigungen.

Sicherheitshinweise

Ausbildung

- Untersagen Sie Kindern oder Personen, die mit dem Gerät nicht vertraut sind, oder die die Bedienungsanleitung nicht gelesen haben, die Benutzung des Rasenmähers.



Halten Sie Kinder, Tiere oder andere Personen während des Arbeitens mit dem Mäher aus dessen Arbeitsbereich fern - sorgen Sie für einen Sicherheitsabstand von mindestens 6 Metern zum Mähbereich.

- Denken Sie daran, daß der Benutzer für Schäden oder Unfälle in bezug auf andere Personen oder deren Eigentum verantwortlich ist.

Arbeitsvorbereitung

- Tragen Sie zum Schutz Ihrer Füße immer festes Schuhwerk oder Stiefel - frisch gemähtes Gras ist feucht und rutschig.
- Bei Staubentwicklung eine Gesichtsmaske verwenden.
- Benutzen Sie Ihren Mäher nicht an Orten, wo durch brennbare Flüssigkeiten oder Gase, Feuer- oder Explosionsgefahr besteht.

Beim Arbeiten

- Wenn Sie zum Starten des Gerätes den Handgriff nach unten drücken oder den Rasenmäher seitlich (nicht mehr als erforderlich) kippen, stellen Sie sicher, daß beide Hände am Gerät sind und Ihre Füße ausreichend Abstand zum Messerbalken haben. Senken Sie erst dann den Rasenmäher wieder auf den Boden ab und arbeiten Sie mit beiden Händen am Gerät.
- Vermeiden Sie versehentliches Starten. Vergewissern Sie sich, daß der Betriebsschalter ausgeschaltet ist, bevor Sie den Sicherheitsschlüssel einstecken.



Nach dem Loslassen des Betriebsschalters läuft das Gerät kurze Zeit nach. Lassen Sie es immer von allein auslaufen.

- Lassen Sie den Betriebsschalter los, um den Mäher auszuschalten und entfernen Sie den Sicherheitsschlüssel:
 - Wenn Sie Ihren Rasenmäher unbeaufsichtigt abstellen.
 - Bevor Sie den Mäher überprüfen, reinigen oder an ihm arbeiten.



- Vor dem Entfernen einer Blockierung.
- Falls der Mäher ungewöhnlich stark vibriert (sofort überprüfen)
- Wenn Sie mit dem Mäher auf einen Fremdkörper getroffen sind. Untersuchen Sie das Gerät auf mögliche Beschädigungen und führen gegebenenfalls die notwendigen Reparaturen durch.
- Lassen Sie das Gerät niemals laufen, wenn es auf der Seite liegt und versuchen Sie niemals das laufende Messer anzuhalten - lassen Sie es immer von alleine zum Stillstand kommen.
- Achten Sie darauf, daß Sie nicht mit Händen oder Füßen in die Nähe oder an rotierende Teile des Mähers geraten.
- Halten Sie sich zu jeder Zeit von Auswurföffnungen fern.
- Benutzen Sie Ihren Rasenmäher nicht bei Regen oder Nässe. Vermeiden Sie, wenn möglich, nasses Gras.
- Mähen Sie nur bei Tageslicht oder gutem künstlichen Licht.
- Gehen Sie beim Mähen immer vorwärts, ziehen Sie den Rasenmäher nicht rückwärts.
- Überqueren Sie keine Kieswege oder steinige Straßen, während das Messer rotiert.
- Achten Sie immer auf festen Stand, insbesondere auf Abhängen.
- Mähen Sie Abhänge immer quer zum Gefälle, nie von oben nach unten. Seien Sie beim Richtungswechsel auf Abhängen immer besonders vorsichtig.
- Mähen Sie keine übermäßig steilen Abhänge und tragen Sie immer rutschfestes Schuhwerk.
- Überprüfen Sie den Grasfangkorb regelmäßig auf Beschädigungen und ersetzen ihn gegebenenfalls.
- Mähen Sie immer im Schritt, niemals laufen. Schieben Sie den Mäher nicht mit Gewalt vor.
- Heben Sie den Rasenmäher niemals hoch oder tragen ihn solange der Motor läuft.
- Vergewissern Sie sich, daß das Messer aufgehört hat zu rotieren bevor Sie den Mäher zum Transport anheben.
- Entfernen Sie immer zuerst den Sicherheitsschlüssel und stellen die Schnitthöhe auf eine mittlere Stellung ein, bevor Sie den Mäher transportieren. Seien Sie beim Anheben des Geräts sehr vorsichtig.
- Betreiben Sie den Mäher niemals mit beschädigten Schutzvorrichtungen und -abdeckungen.



- Um ein versehentliches Starten oder den unbefugten Gebrauch Ihres Rasenmähers zu verhindern, ist der Rasenmäher mit einem abziehbaren Sicherheitsschlüssel ausgestattet. Wird der Sicherheitsschlüssel vom Rasenmäher entfernt, kann der Rasenmäher nicht eingeschaltet werden. Ziehen Sie immer den Schlüssel ab, bevor Sie Reinigungs- oder Wartungsarbeiten durchführen und vor allem, bevor Sie das Messer auswechseln.
- Sollten Sie aus irgendeinem Grund mit Akkuelektrolyt in Berührung gekommen sein, waschen Sie reichlich die betroffene Stelle sofort mit Wasser ab. Sollte Elektrolyt in Ihre Augen dringen, suchen Sie bitte einen Arzt auf.

Lagerung und Pflege

- Bewahren Sie den Rasenmäher immer an einem trockenen Ort außer Reichweite von Kindern auf. Ziehen Sie immer den Sicherheitsschlüssel heraus und bewahren diesen kindersicher auf.
- Benutzen Sie keine Lösungs- oder Reinigungsmittel, um Ihren Mäher zu reinigen - verwenden Sie stattdessen einen stumpfen Schaber, um Gras und Schmutz zu entfernen. Ziehen Sie vor der Reinigung immer erst den Sicherheitsschlüssel ab.
- Den Rasenmäher nicht im Freien lagern oder aufladen.
- Benutzen Sie Ihren Mäher nicht mit beschädigten Teilen; entfernen Sie alle beschädigten Teile und ersetzen sie diese vor dem Arbeiten mit dem Gerät.
- Aus Sicherheitsgründen sollten Sie abgenutzte oder beschädigte Teile sofort auswechseln.
- Sorgen Sie dafür, daß sämtliche Muttern, Bolzen und Schrauben immer fest angezogen sind, damit sich Ihr Rasenmäher immer in einem sicheren Betriebszustand befindet.
- Verwenden Sie nur von Black & Decker empfohlene(s) Zubehör und Ersatzteile.

Die Firma Black & Decker bemüht sich um die ständige Verbesserung ihrer Produkte und behält sich daher das Recht vor, Produktspezifikationen ohne vorherige Ankündigung zu ändern.

Produktausstattung (Abb. A)

A Mit diesem Black & Decker Rasenmäher haben Sie ein Qualitätsprodukt gekauft, das die folgenden Vorteile in einem modernen Design vereinigt, um Ihnen bei hoher Sicherheit und Effizienz das Rasenmähen zu erleichtern:



DEUTSCH

- Ohne Kabel - Sie brauchen beim Mähen kein Verlängerungskabel.
- Kein Kraftstoff - Sie müssen kein Benzin und Öl kaufen, mischen, lagern oder transportieren.
- Sauber - Ihr Mäher produziert keine Abgase und ist damit umweltfreundlich.
- Wiederaufladbare Akkueinheit – liefert verlässliche Leistung.
- Problemlos starten - Motor springt immer sofort an.
- Speziell entworfener Betriebsschalter und Sicherheitschlüssel verhindern unbeabsichtigtes Starten des Mähers.
- Ergonomisch entworfener nach oben geschwungener Handgriff zum bequemen Gebrauch und problemlosen Schieben des Mähers.
- Eine Messerbremse zur zusätzlichen Sicherheit. Bremsst das Messer innerhalb von 3 Sekunden, wenn der Betriebsschalter losgelassen worden ist.
- Große Flügelmuttern zur einfachen Montage.
- Vierzehn Einstellungen der Schnitthöhe, genügend Flexibilität für langes oder kurzes Gras.
- Die Räder des Rasenmähers rotieren um 360° für maximale Manövrierfähigkeit, wodurch bis direkt an die Rasenkanten und leicht um Hindernisse herum gemäht werden kann.
- Die Hinterräder lassen sich feststellen wodurch ein Mähen von geraden Bahnen möglich ist.
- Leichtes Leeren des Grasfangkorbes.
- Ein widerstandsfähiges und haltbares Kunststoffdeck das nicht rostet und zur Lärm- und Vibrationsdämpfung beiträgt.
- Leistungsstarker, wirkungsvoller und geräuscharmer Permanent-Magnetmotor sorgt für effizientes Mähen und Grasfangen unter normalen Mähbedingungen.

Inhalt der Verpackung

Die Verpackung enthält:

- 1 Rasenmähergehäuse
- 1 Handgriff (3-teilig)
- 1 Grasfangkorb (2-teilig)
- 1 Schraubenschlüssel/Schaber
- 1 Schraubendreher
- 1 Akku
- 1 Akku-Deckel
- 1 Ladegerät

- 1 Sicherheitsschlüssel
- 1 Ersatzsicherung
- 2 Flügelmuttern
- 2 Unterlegscheiben
- 2 Formscheiben
- 2 Bolzen für oberen Handgriff
- 2 Bolzen für unteren Handgriff
- 5 Schrauben für Grasfangkorb
- 2 Kabelschellen
- 1 Bedienungsanleitung
 - Packen Sie sorgfältig alle Teile aus.

Montieren des Handgriffs

- Stellen Sie den Rasenmäher mit seinen Rädern auf eine feste, ebene Fläche.
- B1**
- Setzen Sie gemäß Abb. B1 die Handgriffstangen so in die Öffnungen ein, daß sie durch die Krümmung oben ausgeweitet werden.
 - Sichern Sie gemäß Abbildung jede Stange mit einem Bolzen und einer Formscheibe. Ziehen Sie den Bolzen mit dem mitgelieferten Schraubenschlüssel sicher an.
- B2**
- Setzen Sie die U-förmige obere Handgriffstange wie abgebildet auf die Stangen.
- B3**
- Sichern Sie gemäß Abbildung die obere Handgriffstange unter Verwendung der Bolzen, Unterlegscheiben und Flügelmuttern.
 - Sichern Sie die Kabel unter Verwendung der mitgelieferten Kabelschellen am Handgriff.



Ziehen Sie die Flügelmuttern nicht mit einem Werkzeug an.

Zusammenbau des Grasfangkorbes (Abb. C)

Der Grasfangkorb kommt in zwei Hälften. Bauen Sie diese wie folgt zusammen:

- C1**
- Richten Sie die zwei Hälften des Grasfangkorbs wie abgebildet miteinander aus.
 - Verschrauben Sie die beiden Hälften mit Hilfe der 5 Schrauben und des mitgelieferten Schraubenziehers.



C2

Den Grasfangkorb am Mäher befestigen:

- Heben Sie die Klappe über dem Grasauswurf an und setzen Sie den Fangkorb ein.
- Lassen Sie nun die Rückklappe los - sie deckt den Fangkorb ab und hält ihn in Stellung.

Den Grasfangkorb vom Mäher entnehmen:

Heben Sie die Rückklappe an, so daß der Grasfangkorb vom Mäher abgenommen werden kann und auf dem Gras aufsitzt. Lassen Sie nun die Rückklappe langsam herab; nun haben Sie beide Hände frei, um den vollen Grasfangkorb anzuheben.

C3

Einsetzen der Akkuabdeckung

- Setzen Sie das erste Scharnier in den Rasenmäherkörper ein und drücken Sie dann das zweite Scharnier ebenfalls ein, bis es einrastet.

C4

Anbringen des Akku-Tragegestells

- Nehmen Sie die Batterie und ihr Tragegestell.
- Falten Sie die Seiten des Gestells nach oben und setzen die Batterie in ihre Position.
- Der Akku sollte immer im Tragegestell verbleiben.

Informationen zu Batterie



- Die Batterie in Ihrem Akku-Rasenmäher besteht aus einem geschlossenem 12Volt-Bleisäure-Gel-System. Die Batterie verwendet ein absorbiertes Elektrolyt und kann daher in jeder beliebigen Stellung gelagert werden, ohne daß irgendetwas auslaufen könnte.
- **Die Akkueinheit wurde im Werk aufgeladen, muß jedoch vor jedem Gebrauch mindestens 30 Stunden aufgeladen werden, um zu gewährleisten, daß sie voll aufgeladen ist.**
- Zur optimalen Leistung ist der Akku nach jedem Gebrauch sofort neu aufzuladen.
- **Sorgen Sie bei der Einlagerung im Winter für folgendes:**
 - **Der Akku wird vor der Lagerung voll aufgeladen.**
 - **Die Temperatur im Lagerraum beträgt weniger als 25°C.**
 - **Der Mäher wird nicht länger als 6 Monate eingelagert.**
- Lagern Sie Ihren Rasenmäher immer kühl und trocken.
- Sorgen Sie dafür, daß der Mäher und die Batterie nicht mit Wasser,

Hitzequellen (wie Heizkörper, Heizlüfter, Öfen, usw.), offenem Feuer oder Chemikalien in Berührung kommen.

Hinweise zum Aufladen



- Laden Sie Ihren Rasenmäher immer in einem gut durchlüfteten, trockenen, wettergeschützten Raum auf.
- Laden Sie den Mäher an einem Ort auf, an dem die Umgebungstemperatur höher als 5°C und niedriger als 40°C ist.



Achtung! Versuchen Sie nicht, nichtaufladbare Akkus aufzuladen.

Aufladen

- Der Akku Ihres Mähers kann im Mäher neu aufgeladen werden oder entfernt und getrennt aufgeladen werden, falls keine Netzsteckdose vorhanden ist.

Aufladen des Akkus im Mäher

- Entfernen Sie den Sicherheitsschlüssel und verwahren ihn an einem kindersicheren Ort.
- Öffnen Sie die Akkuabdeckung indem Sie den Verschluss zurückschieben und den Deckel anheben.
- Entfernen Sie die Batteriekabel (rot und schwarz) durch Herausziehen aus der Buchse seitlich in dem Batteriefach.
- Anschließend wird der rote und schwarze Stecker des Ladegerätes an die rote und schwarze Buchse der Batterie angeschlossen.

Hinweis: Der Stecker des Ladegeräts paßt nur in einer Richtung in die Buchse.

- Stecken Sie das Ladegerät in eine Netzsteckdose.
- Die rote Lampe am Ladegerät leuchtet. Dies zeigt an, daß der Akku aufgeladen wird.

Ladegerät mit zwei Lampen

- Wenn der Akku aufgeladen ist, was normalerweise 24 bis 30 Stunden dauert, erlischt die rote Lampe und die grüne leuchtet auf.
- Sie können den Akku gefahrenlos am Ladegerät angeschlossen lassen, bis Sie ihn benötigen.

Nach dem Aufladen

- Trennen Sie das Ladegerät vom Akku und schließen Sie den Akku an die Buchse am Rasenmäher an.
- Ihr Rasenmäher ist jetzt einsatzbereit.



DEUTSCH

Aufladen des Akkus an anderer Stelle

- Entfernen Sie den Sicherheitsschlüssel und die Batterieabdeckung wie oben beschrieben und trennen die Batterie ab.
- Heben Sie die Batterie mit dem Tragegriff aus dem Mäher heraus.
- Laden Sie die Batterie wie oben beschrieben auf.
- Nach dem Aufladen - setzen Sie die Batterie wieder in den Mäher ein und schließen sie an den Stecker des Mähers an.

Entsorgung der Batterie

Wenn der Akku des Mähers ersetzt werden muß, sollten Sie ihn zunächst völlig entladen, d.h. den Mäher solange laufen lassen, bis der Motor stehenbleibt. Entfernen Sie anschließend den Akku aus dem Mäher.



Achtung! Der Akku kann auch nach dem Stehenbleiben des Motors noch einen Reststrom enthalten. Daher sollten die Anschlüsse des Akkus mit nicht leitenden Werkzeugen oder Material isoliert werden (keine Stahlwolle oder Aluminiumfolie o.ä. verwenden), um einen Kurzschluß vorzubeugen.

Akkus/Batterien müssen verantwortungsbewußt entsorgt werden.



Dieses Symbol besagt, daß die Bleisäure-Batterie Ihres Rasenmähers umweltgerecht entsorgt werden muß und nicht dem normalen Hausmüll, der in einer Verbrennungsanlage oder auf einer Müllhalde entsorgt wird, zugeführt werden darf.



Bleisäure-Akkus sind bei unsachgemäßer Entsorgung umweltbelastend und können explodieren, wenn sie mit offenem Feuer in Berührung kommen. **Nicht verbrennen.**

Geben Sie den Alt-Akku bei unserem Black & Decker Zentralkundendienst, Ihrem örtlichen Fachhändler oder Ihrer örtlichen Sammelstelle für Altbatterien ab. Wenden Sie sich gegebenenfalls an Ihre örtliche Behörde, um nähere Informationen zur Entsorgung zu erhalten.

Falls die Mähleistung Ihres Mähers nachläßt, wenden Sie sich bitte an den Abschnitt "Fehlersuche".



Achtung! Beim Einsetzen eines neuen Akkus muß das rote Kabel unbedingt mit der roten Polklemme und das schwarze Kabel mit der schwarzen Polklemme verbunden werden.

Arbeiten mit dem Mäher (Abb. E)

Wichtig! Bitte beachten Sie bei der Arbeit mit Ihrem Gerät immer die entsprechenden Sicherheitshinweise!



Achtung! Versuchen Sie nicht, den Mäher mit nur einer Hand zu schieben. Führen Sie ihn immer mit beiden Händen.



Sicherheitsschlüssel

- Um ein unbeabsichtigtes Starten oder die unbefugte Benutzung zu verhindern, wurde Ihr Akku-Rasenmäher mit einem abziehbaren Sicherheitsschlüssel ausgestattet. Das Gerät ist absolut betriebsunfähig, wenn dieser Schlüssel aus dem Mäher entfernt wurde.
- Benutzen Sie immer den mitgelieferten Grasfangkorb.



Achtung! Entfernen Sie den Schlüssel immer, wenn Sie den Mäher unbeaufsichtigt stehen lassen, auch wenn es nur für kurze Zeit ist.

- Den Sicherheitsschlüssel (plus eine Ersatzsicherung) finden Sie im Beutel mit den Kleinteilen.

Starten

- Schieben Sie den Sicherheitsschlüssel in Position und drücken ihn bis zum Anschlag hinein.
- Drücken Sie den Handgriff nach unten, um das Vorderteil des Mähers leicht anzuheben. Das läßt den Motor, besonders bei hohem Gras, leichter auf seine volle Umdrehungsgeschwindigkeit kommen. Dann drücken Sie die Sicherheits-Einschaltsperrung am Schalterkasten und ziehen gleichzeitig den Starthebel. Der Motor läuft an, Sie können den Sperrknopf wieder loslassen und den Mäher in seine normale Arbeitsposition absenken, um mit dem beidhändigen Mähen zu beginnen.

Hinweis: Der Mäher hat Räder, die sich voll um 360° drehen lassen, um maximale Manövrierbarkeit zuzulassen. Die Hinterräder können, um das Mähen von geraden Bahnen zu ermöglichen, wie folgt arretiert werden:

E2
E3
E4
E5

- Schieben Sie den Mäher vorwärts bis alle vier Räder nach hinten weisen.
- Ziehen Sie den Hebel an der linken Seite des Handgriffs, bis er einrastet.
- Um die Räder wieder zu lösen, den Arretierknopf nach vorn drücken.
- Sollte es vorkommen, daß der Hebel zwar einrastet, aber die Hinterräder nicht arretiert werden, lösen Sie den Hebel wieder, lösen die Stellschraube um eine Drehung und ziehen den Hebel wieder an bis er einrastet.



Wiederholen Sie dies, bis die Räder voll in der Stellung arretiert werden.

Ihr Rasenmäher läuft solange Sie den Schalthebel gezogen halten. Sie halten den Mäher an, indem Sie den Schalthebel loslassen.

Wenn Sie die Arbeit mit dem Mäher beendet haben, empfehlen wir, daß Sie ihn säubern, bevor Sie ihn wegstellen. Beachten Sie bitte das Kapitel „Pflege und Wartung“.

Hinweis: Sie erzielen bessere Ergebnisse, wenn Sie Ihren Rasen regelmäßig und nicht bei nassem Wetter mähen.

Wenn Sie beim Mähen feststellen, daß loses Gras unter dem Mäher herausgeschleudert wird, ist der Grasfangkorb wahrscheinlich voll und muß entleert werden.

Manövrierbarkeit (Abb. D)

Der Mäher hat voll drehbare Räder und kann daher leicht um Bäume, Pfosten und ähnliche Hindernisse manövriert werden. Außerdem kann man begrenzte Flächen, wie etwa zwischen Blumenbeeten, genau mähen.

Um diese Manövrierbarkeit zu ermöglichen, drücken Sie den Arretierknopf nach vorn, um damit die Arretierung der Hinterräder zu lösen.



Wenn Sie mit dem Mäher solche Manöver ausführen, sollten Sie immer die Kabelrückhaltung benutzen, und sicherstellen, daß sich das Kabel nicht auf der beabsichtigten Schnittbahn befindet.

Einstellen der Schnitthöhe (Abb. F)



Achtung! Entfernen Sie den Sicherheitsschlüssel bevor Sie irgendwelche Einstellungen vornehmen, und lassen Sie das Messer erst völlig zum Stillstand kommen; das Messer ist sehr scharf.

F1

- Klappen Sie den Hebel aus und halten ihn fest.
- Drehen Sie den Knopf mit Hilfe des Hebels, um die gewünschte Schnitthöhe einzustellen.
- Klappen Sie den Hebel wieder zurück, um den Knopf zu verriegeln.

F2

- Wenn Sie auf dem Rasen Streifen erzeugen möchten, bringen Sie zunächst die Streifenklappe in Stellung und befestigen Sie sie mit den 2 mitgelieferten Schrauben. Stellen Sie dann die Schnitthöhe auf eine tiefe Stellung ein (nur GB).

Hinweis: Bei längerem oder ungleichem Wuchs (insbesondere beim ersten Mähen in der Saison) nehmen Sie am besten erst eine höhere Einstellung und mähen dann noch einmal mit der gewünschten Schnitthöhe.

Pflege des Messers

Das Stahlmesser wurde extra so konstruiert, um für einen sauberen, exakten Schnitt bei langem oder grobem Gras zu sorgen.

Ist das Messer jedoch durch Verschleiß oder Beschädigung stumpf geworden wird das Schnittergebnis schlechter. Das Messer sollte in diesem Fall ausgewechselt oder zumindest neu geschliffen werden.

Wir empfehlen das Messer zu Beginn jeder Saison zu schleifen oder auszuwechseln.

Sie erhalten Ersatzmesser bei Ihrem Black & Decker Händler oder von unserem Zentralkundendienst.



Vorsicht! Verwenden Sie beim Auswechseln nur das für Ihren Rasenmäher vorgesehene Original- Ersatzmesser. Versuchen Sie nicht ein anderes Messer einzubauen.

Auswechseln des Messers (Abb. G)



Beachten Sie alle relevanten Sicherheitshinweise, bevor Sie mit dem Auswechseln des Messers beginnen.

Achtung! Ziehen Sie unbedingt den Sicherheitsschlüssel heraus, bevor Sie das Messer auswechseln.

G

- Drehen Sie den Rasenmäher auf die Seite, so daß das Messer unter dem Messergehäuse sichtbar ist.
- Legen Sie ein Tuch über das Messer, oder tragen Sie feste Handschuhe, um Ihre Hände zu schützen. Fassen Sie das Messer an, lockern Sie die Mutter und entfernen Sie sie mit Hilfe eines Schraubenschlüssels von der Motorspindel. Drehen Sie die Mutter entgegen dem Uhrzeigersinn, um sie zu lösen.
- Das Messer kann nun ersetzt werden.

Anmerkung: Entfernen Sie auf keinen Fall das Lüfterrad von der Motorwelle.

Anmerkung: Möglicherweise ist Ihr Mäher mit einer Unterlegscheibe zwischen Messerbolzen und Messer ausgerüstet. Bitte diesen unbedingt nach dem Messerwechsel wieder mit montieren.

Überlastungsschutz (Abb. H)

- Ihr Akku-Rasenmäher ist mit einem Überlastschutz ausgestattet. Wenn Sie unter schwierigen Bedingungen, wie etwa sehr hohem Gras, arbeiten, kann der Motor überlastet werden. In diesem Fall brennt die Sicherung des Sicherheitsschlüssels durch und das Gerät stoppt.



DEUTSCH

- Dies ist eine zusätzliche Sicherheitseinrichtung, die verhindert, daß der Motor durch Überlastung beschädigt wird.

H

- Entfernen Sie in diesem Fall den Sicherheitsschlüssel und überprüfen Sie den Schmelzeinsatz. Ein beschädigter Einsatz weist auf eine durchgebrannte Sicherung hin. Die Sicherung muß dann ausgetauscht werden. Eine Ersatzsicherung ist im Ersatzteilkpaket enthalten. Ein neuer Schlüssel ist auch bei jeder Black & Decker Vertragswerkstatt erhältlich.

Um optimale Mähergebnisse zu erzielen:

- Schneiden Sie Ihren Rasen regelmäßig
- Mähen Sie kein nasses Gras
- Wenn das Gras höher als 10cm ist, sollten Sie zunächst mit einer hohen Schnitthöheneinstellung mähen und anschließend nochmal in der eigentlich gewünschten Schnitthöhe.

Pflege und Wartung

Die in diesem Abschnitt gegebenen Ratschläge beziehen sich auf die allgemeine Pflege und Wartung des Hauptteils Ihres Mähers. Ratschläge für das Messer finden Sie in dem Abschnitt "Pflege des Messers".

Ratschläge in bezug auf die Wartung und Lagerung des Akkus finden Sie in dem Abschnitt "Informationen zum Akku/Batterie".

- Reinigen Sie Ihren Mäher nach jedem Mähen von Grasresten, insbesondere an der Unterseite des Mähers und an den Lüftungsschlitzen.
- Wir empfehlen, daß die sich ablagernden Grasreste an der Unterseite der Mähabdeckung am Ende jeder Mähseason mit einem stumpfen Schaber entfernt werden.
- Reinigen Sie alle Kunststoffteile mit einem feuchten Tuch.
- **Vorsicht!** Verwenden Sie keine Reinigungs- oder Lösungsmittel, da sie zur Beschädigung der Kunststoffteile Ihres Mähers führen können.

Ratschläge für optimale Arbeitsergebnisse

- Wenn Sie langes Gras mähen, stellen Sie die größte Schnitthöhe ein.
- Laden Sie den Akku vor dem ersten Gebrauch vollständig auf.
- Laden Sie den Akku nach dem Gebrauch sofort wieder auf.
- Laden Sie den Akku vor der Lagerung vollständig auf.

- Lagern Sie den Rasenmäher und den Akku nicht bei einer extremen Temperatur.
- Falls der Akku längere Zeit gelagert wird, laden Sie ihn regelmäßig auf.
- Beachten Sie, daß der Akku nach längerer Lagerung erst nach mehreren Entlade- und Ladezyklen wieder die volle Kapazität erreicht.

Fehlersuche

Falls Ihr Rasenmäher nicht ordnungsgemäß funktioniert, soll Ihnen folgende Tabelle helfen, den Fehler zu beheben:

Problem	Lösung
Rasenmäher läuft nicht an wenn Betriebsschalter gezogen wird	a) Sicherheitsschlüssel einstecken. b) Messerblockierung beheben. c) Akku aufladen. d) Prüfen Sie, ob die Sicherung durchgebrannt ist.
Rasenmäher bleibt beim Arbeiten stehen	a) Messerblockade entfernen. b) Größere Schnitthöhe einstellen. c) Prüfen, ob Akku geladen ist. d) Überprüfen Sie den Schmelzeinsatz des Sicherheitsschlüssels. Wenn er unterbrochen ist, ist die Sicherung durchgebrannt und der Schlüssel muß ausgewechselt werden.
Motor läuft, aber mit schlechter Schnittleistung	a) Nachprüfen, ob Akku aufgeladen ist. b) Akku ersetzen, da defekt.
Rasenmäher läßt sich nur sehr schwer schieben	a) Größere Schnitthöhe einstellen.
Rasenmäher ist zu laut und vibriert stark	a) Beschädigtes Messer auswechseln. b) Wenden Sie sich an den Black & Decker Zentralkundendienst oder Ihren örtlichen Black & Decker Händler zur Beseitigung der Störung.



Achtung! Ziehen Sie vor allen Wartungsarbeiten immer erst den Sicherheitsschlüssel aus Ihrem Rasenmäher.



Umweltschutz

Geräte



Black & Decker nimmt Ihre ausgedienten Black & Decker Geräte und Akkus gern zurück und sorgt für eine umweltfreundliche Entsorgung. Diese Dienstleistung ist für Sie kostenlos. Um diese Dienstleistung in Anspruch zu nehmen, geben Sie das Gerät bitte bei einer autorisierten Reparaturwerkstatt ab, die für uns die Einsammlung übernimmt.

Akkus



Black & Decker Akkus lassen sich viele Male wiederaufladen. Am Ende des technischen Lebens ist der Akku mit Rücksicht auf die Umwelt und fachgerecht zu entsorgen:

- Entladen Sie den Akku vollständig und entfernen Sie ihn vom Gerät.
- Akkus sind wiederverwertbar. Zur Wiederverwertung oder umweltverträglichen Entsorgung sind sie bei Ihrem Händler oder einer kommunalen Sammelstelle abzugeben.

Die Adresse des zuständigen Büros von Black & Decker steht in diesem Handbuch, darüber läßt sich die nächstgelegene Vertragswerkstatt ermitteln. Außerdem ist eine Liste der Vertragswerkstätten und aller Kundendienststellen von Black & Decker sowie der zuständigen Ansprechpartner im Internet zu finden unter: www.2helpU.com.

Garantie

Black & Decker vertraut auf die Qualität der eigenen Geräte und bietet dem Käufer eine außergewöhnliche Garantie. Diese Garantiezusage versteht sich unbeschadet der gesetzlichen Gewährleistungsansprüche und schränkt diese keinesfalls ein. Sie gilt in sämtlichen Mitgliedsstaaten der Europäischen Union und der Europäischen Freihandelszone EFTA.

Tritt innerhalb von 24 Monaten ab Kaufdatum an einem Gerät von Black & Decker ein auf Material- oder Verarbeitungsfehler zurückzuführender Mangel auf, garantiert Black & Decker den Austausch defekter Teile, die Reparatur von Geräten mit üblichem Verschleiß bzw. den Austausch eines mangelhaften Geräts, ohne den Kunden dabei mehr als unbedingt nötig in Anspruch zu nehmen, allerdings vorbehaltlich folgender Ausnahmen:

- wenn das Gerät gewerblich, beruflich oder im Verleihgeschäft benutzt wurde;
- wenn das Gerät mißbräuchlich verwendet oder mit mangelnder Sorgfalt behandelt wurde;
- wenn das Gerät durch irgendwelche Fremdeinwirkung beschädigt wurde;

- wenn ein unbefugter Reparaturversuch durch anderes Personal als das einer Vertragswerkstatt oder des Black & Decker-Kundendienstes unternommen wurde.

Zur Inanspruchnahme dieser Garantie ist dem Verkäufer bzw. der Vertragswerkstatt ein Kaufnachweis vorzulegen. Die Adresse des zuständigen Büros von Black & Decker steht in dieser Anleitung, darüber läßt sich die nächstgelegene Vertragswerkstatt ermitteln. Außerdem ist eine Liste der Vertragswerkstätten und aller Kundendienststellen von Black & Decker sowie der zuständigen Ansprechpartner im Internet zu finden unter: www.2helpU.com.

Weitere Gartengeräte

Black & Decker bietet ein großes Sortiment an Gartengeräten an, die die Gartenarbeit erheblich erleichtern. Für nähere Informationen zu den folgenden Geräten wenden Sie sich bitte an den Black & Decker Kundendienst (Adresse hinten in dieser Anleitung) oder an Ihren Händler.

Rasentrimmer	Kettensägen
Akku-Strauchscheren	Akku-Grasscheren
Heckenscheren	Rasenmäher
Rasenlüfter	Laubsauger
Häcksler	

Nicht alle Produkte sind in allen Ländern erhältlich.

EU-Konformitätserklärung

GFC1234/GFC1238/GFC2438

Black & Decker erklärt hiermit, daß diese Geräte entsprechend folgenden Richtlinien und Normen konzipiert wurden:

98/37/EWG, 89/336/EWG, 73/23/EWG,
EN 55014, EN 60335, EN 61000,

2000/14/EWG, Rasenmäher, L ≤ 50 cm,
Anhang VIII, No. 0086

B.S.I., HP2 4SQ, United Kingdom

Höhe des Schalldrucks, gemessen nach
2000/14/EWG:

L_{pA}	(Schalldruck)	dB(A)	79
L_{WA}	(Schalleistung)	dB(A)	93
L_{WA}	(garantiert)	dB(A)	96

Gewichteter Effektivwert der Beschleunigung
nach EN 50144:

Brian Cooke

Director of Engineering
Spennymoor, County Durham DL16 6JG,
United Kingdom
1-12-2001



Tondeuse 4x4 sans fil

Noticed'utilisation

Félicitations!

Pour votre achat d'une tondeuse Black & Decker sans fil. Ce manuel de l'utilisateur donne des instructions importantes de fonctionnement et d'entretien pour toutes les tondeuses de la gamme 4x4 sans fil de Black & Decker.

Apprenez à connaître votre machine



Lisez ce manuel avec soin, en prenant note de toutes les précautions de sécurité recommandées avant, pendant et après l'utilisation de votre machine, et maintenez votre machine en bon état de marche.



Familiarisez-vous avec les commandes de votre machine avant de tenter de la faire marcher, mais avant tout, soyez sûr de savoir comment arrêter votre machine rapidement en cas d'urgence.

Gardez ce manuel et toute autre brochure fournie avec votre machine pour pouvoir vous y référer ultérieurement.

Vérifiez toujours que les écrous soient bien serrés.

- Vérifiez toujours qu'il n'y a pas de bâtons, pierres, morceaux de fil de fer ou autres débris sur votre pelouse. Ces débris peuvent être dangereux ou endommager votre machine, s'ils entrent en contact avec elle, ou peuvent être éjectés par la lame de la tondeuse.
- Vérifiez fréquemment la présence éventuelle de signes d'usure ou de détériorations sur le collecteur d'herbe.

Utilisation

- Lorsque vous inclinez la poignée vers le bas (ou sur le côté) pour démarrer votre tondeuse, veillez à ne pas l'incliner plus que nécessaire. Assurez-vous toujours d'avoir les deux mains en place sur la poignée et les pieds à l'écart des lames avant de reposer votre tondeuse au sol et mettez la tondeuse en marche en la guidant des deux mains.
- Évitez les mises en route accidentelles. Assurez-vous que l'interrupteur de mise en route est coupé avant d'insérer la clé de sécurité.

Instructions de sécurité

Formation

- Les enfants ou toute personne n'ayant pas lu cette notice ne doivent en aucun cas utiliser la tondeuse.



Lorsque vous tondez, tenez les enfants, les animaux et les tierces personnes à au moins 6 mètres de la tondeuse.

- L'utilisateur est responsable des accidents qui peuvent survenir aux autres.

Préparation

- Portez toujours des chaussures robustes ou des bottes. L'herbe fraîchement coupée peut être glissante.
- Utilisez un masque en présence de poussière.
- Ne tondez pas si l'atmosphère est humide ou près de matières inflammables.
- Ne tondez pas pieds nus ou en sandales.
- Portez un pantalon long pour protéger vos jambes des éventuelles projections.
- Vérifiez toujours que votre machine est en bon état de marche.



- Avant d'utiliser votre tondeuse, ôtez la clé de sécurité et assurez-vous que la lame et les écrous qui la serrent ne sont pas endommagés. Les écrous de lame et les lames endommagés ou usés posent des risques importants et doivent être remplacés.



La machine continuera à tourner pendant un court instant après avoir lâché le levier interrupteur. Laissez toujours la machine s'arrêter toute seule.

- Relâchez l'interrupteur et ôtez la clé de sécurité dans les cas suivants:
 - Vous laissez la tondeuse sans surveillance.
 - Avant d'inspecter, de nettoyer ou de régler la tondeuse.
 - Avant de nettoyer un bourrage.
 - Si la tondeuse vibre anormalement. A contrôler immédiatement.
 - Après avoir heurté un objet afin de pouvoir évaluer et réparer les dommages éventuels.
- Ne démarrez jamais la tondeuse lorsqu'elle est sur le flanc.
- N'essayez pas d'arrêter la lame.
- Tenez vos mains et vos pieds à l'écart des pièces rotatives.
- Tenez-vous toujours à l'écart des parties ouvertes de la tondeuse.
- Ne tondez pas sous la pluie et évitez si l'herbe est humide.





- Ne tondez qu'en plein jour.
- Ne tirez pas la tondeuse vers vous et ne marchez pas en reculant.
- Ne traversez pas des allées gravillonnées lorsque la tondeuse est en marche.
- Assurez vous toujours de votre équilibre, particulièrement si vous tondez dans une pente.
- Lorsque vous tondez dans une pente, faites le toujours en transversal et non de haut en bas. Soyez prudent lorsque vous changez de direction.
- Ne tondez jamais dans des pentes trop abruptes et portez des chaussures anti-dérapantes.
- Vérifiez régulièrement l'état du bac de ramassage et le remplacer si nécessaire.
- Ne courez pas lorsque vous tondez.
- Ne portez jamais votre tondeuse lorsqu'elle est en marche.
- Assurez vous que la lame est arrêtée lorsque vous transportez la tondeuse, et ôtez toujours la clé de sécurité, ajustez la hauteur de coupe à une position moyenne.
- N'utilisez pas votre machine si le carter est endommagé.
- Afin d'empêcher toute mise en marche accidentelle ou utilisation non autorisée de votre tondeuse, une clé de sécurité amovible vous a été fournie. Votre tondeuse sera entièrement désactivée lorsque la clé de sécurité est enlevée de la tondeuse. Enlevez toujours la clé avant d'effectuer tout travaux de nettoyage ou d'entretien, particulièrement lors du changement de la lame.
- Si pour une raison quelconque vous entrez en contact avec l'électrolyte de la batterie, rincez la zone affectée à l'eau et consultez un médecin immédiatement si l'électrolyte entre en contact avec vos yeux.



Entretien et rangement

- Rangez votre machine dans un endroit sec lorsque vous ne l'utilisez pas. Otez la clé de sécurité et mettez-la hors de portée des enfants.
- Pour nettoyer la machine, ôtez la clé de sécurité et utilisez un grattoir émoussé pour enlever l'herbe et la terre. Ne pas mettre de solvant ou tout autre produit de nettoyage.
- Ne chargez ou ne stockez pas votre tondeuse à l'extérieur.
- N'utilisez pas votre tondeuse si les pièces sont défectueuses ; enlevez toutes les pièces défectueuses et remplacez-les par des pièces neuves avant d'utiliser la tondeuse.

- Remplacez les pièces usées ou endommagées, par mesure de sécurité.
- Serrez bien tous les écrous, les boulons et les vis pour veiller à ce que votre tondeuse ne pose aucun problème de sécurité.
- N'utilisez que des accessoires ou pièces détachées Black & Decker.

La politique de Black & Decker étant d'améliorer continuellement la qualité des produits, nous nous réservons le droit de modifier les caractéristiques du produit par rapport à la notice.

Caracteristiques techniques (Fig. A)

A Afin d'assurer une tonte sûre, efficace et facile, votre tondeuse Black & Decker allie qualité et modernisme, en plus des fonctions suivantes.

- Sans fil - pas de contrainte de câble d'alimentation.
- Pas d'essence, ni de mélange à faire avec de l'huile.
- Propre - pas d'émission de gaz d'échappement.
- Batteries rechargeables – elles apportent une puissance fiable.
- Facile à démarrer - toujours du premier coup.
- Levier interrupteur et clé de sécurité pour éviter les mises en route accidentelles.
- Guidon ergonomique avec manche en mousse pour un plus grand confort d'utilisation.
- Frein de lame pour une sécurité supplémentaire. Arrête la rotation des lames dans un délai de 3 secondes à compter du moment où le levier du boîtier de commutation a été relâché.
- Grands écrous papillon pour un montage et un rangement faciles de la poignée.
- 14 hauteurs de positions de coupe qui permet de traiter la plupart des conditions de l'herbe.
- Votre tondeuse a des roues qui pivotent à 360° pour une manœuvrabilité maximale vous permettant de couper jusqu'au bord de la pelouse ainsi qu'autour des obstacles éventuels.
- Les roues arrière peuvent être bloquées pour assurer une coupe en ligne droite.
- Retrait facile du bac de ramassage.
- Couvercle en plastique robuste et durable qui ne rouille pas et qui contribue à un fonctionnement silencieux, avec un minimum de vibrations.
- Un moteur à aimant permanent puissant et efficace qui donne une coupe et une mise en sac efficaces dans toutes les conditions raisonnables et un bruit sonore faible.



Contenu de la boîte

La boîte contient :

- 1 Corps de la tondeuse
- 1 Poignée (3 parties)
- 1 Bac de ramassage (2 parties)
- 1 Clé à ergot / grattoir
- 1 Tournevis
- 1 Batterie
- 1 Couvercle de la batterie
- 1 Chargeur
- 1 Clé de sécurité
- 1 Fusible de rechange
- 2 Écrou papillon
- 2 Rondelles
- 2 Rondelles profilées
- 2 Boulons pour la poignée supérieure
- 2 Boulons pour la poignée inférieure
- 5 Vis pour le bac de ramassage
- 2 Attache-câble
- 1 Manuel d'instructions
 - Déballez soigneusement toutes les pièces.

FRANÇAIS

Assemblage de la poignée

- Placez la tondeuse sur une surface ferme et de niveau.
- B1** • Insérez les barres de la poignée dans les orifices comme illustré dans la fig. B1, de telle sorte que la courbe leur donne une forme plus large en haut.
- Fixez solidement chacune des barres à l'aide d'un boulon et d'une rondelle profilée comme indiqué. Serrez fermement le boulon à l'aide de la clé fournie.
- B2** • Placez la barre de la poignée supérieure en forme de U sur les barres comme illustré.
- B3** • Fixez la barre de la poignée supérieure à l'aide des boulons, des rondelles et des écrous-papillon comme illustré.
- Fixez les câbles à la poignée à l'aide des attache-câble fournis.



N'utilisez pas d'outils pour serrer les écrous-papillons.

Montage du bac de ramassage (Fig. C)

Le bac de ramassage est fourni en deux parties. Pour l'assembler, procédez comme suit:

- C1** • Alignez les deux moitiés du bac de ramassage comme indiqué.
- Assemblez les deux parties à l'aide des 5 vis, utilisez pour ce faire le tournevis fourni.

Installation du bac de ramassage sur la tondeuse:

- C2** • Soulevez le volet arrière à ressort et placez le collecteur d'herbe sur le rebord de fixation.
- Le volet arrière peut alors être relâché pour bloquer le bac en place.

Démontage du bac de ramassage:

Le bac, lorsqu'il est plein, peut être retiré en soulevant le volet, en libérant le bac de ses fixations et en le posant sur la pelouse. Abaissez doucement le volet afin de libérer vos mains pour soulever le collecteur plein.

Fixation du couvercle de la batterie

- C3** • Assemblez le couvercle de batterie fourni avec la tondeuse en insérant la charnière n°1 dans le corps de la tondeuse et en poussant ensuite la charnière n°2 en place.

Installation de la bride de la batterie

- C4** • Repérez la batterie et sa bride de transport.
- Repliez les côtés de la bride vers le haut et mettez la batterie en place.
 - Cliquez les brides ensemble en veillant à bien repérer chaque trou.
 - La bride doit toujours rester sur la batterie.

Informations sur la batterie

- La batterie de votre tondeuse sans fil est un système étanche au plomb. Elle contient un électrolyte absorbé et peut par conséquent être rangée dans n'importe quelle position, sans risque de fuite.
- La pile a été chargée en usine, mais il faudra la recharger pendant au moins 30 heures avant de l'utiliser afin de s'assurer qu'elle est entièrement chargée.
- La batterie doit être rechargée après chaque utilisation.
- Pour le stockage d'hiver, assurez-vous que:
 - **La tondeuse est complètement chargée.**
 - **La température de stockage est inférieure 25°C.**
 - **Le stockage dure moins de 6 mois.**
- Stockez toujours votre tondeuse dans un endroit sec et frais.



- Tenez la tondeuse et la batterie à l'écart de l'humidité, des sources de chaleur (radiateurs, chaudières...), des flammes ou de produits chimiques.

Instructions de charge



- Chargez toujours votre tondeuse dans un endroit couvert et bien aéré, à l'abri de l'humidité et des intempéries.
- Chargez toujours votre tondeuse dans un endroit où la température est de plus de 5°C et n'excède pas 40°C.



Attention ! N'essayez pas de recharger les batteries non rechargeables.

Pour charger

- La batterie de la tondeuse peut être chargée sur la tondeuse ou peut être déposée et chargée à l'écart de la tondeuse, si vous n'êtes pas à proximité d'une prise de courant.

Pour charger la batterie SUR la tondeuse

- Enlevez la clé de sécurité et mettez-la dans un endroit sûr, à l'écart des enfants.
- Enlevez le couvercle de la batterie en enfonçant les symboles de verrouillage de chaque côté du couvercle. Le couvercle peut être entièrement enlevé.
- Débranchez le fil de la batterie (rouge et noir) en le tirant de la prise sur le côté du logement de la batterie.
- La prise rouge et noire du chargeur est alors branchée sur la prise rouge et noire de la batterie.

Note: La prise de la batterie ne peut être montée que dans un sens.

- Branchez le chargeur sur la prise de secteur et mettez-le en marche.
- Le voyant rouge du chargeur s'allume pour indiquer que la batterie est en cours de charge.

Chargeur à deux voyants

- Lorsque la batterie est chargée, normalement après 24 à 30 heures, le voyant rouge s'éteint et le voyant vert s'allume.
- Vous pouvez laisser votre batterie en charge, sans aucun risque, jusqu'à ce que vous soyez prêt à vous en servir.

Lorsque la charge est terminée

- Débranchez le chargeur de la batterie et branchez la batterie sur la prise de la tondeuse.
- Votre tondeuse est maintenant prête à l'usage.

Pour charger la batterie hors de la tondeuse

- Retirez la clé de sécurité et le couvercle de la batterie, comme indiqué ci-dessus, et débranchez la batterie.
- Soulevez la batterie de la tondeuse en utilisant la poignée de transport.
- Chargez la batterie comme expliqué ci-dessus.
- Après l'avoir chargée, remettez-la dans la tondeuse et branchez-la sur la prise de la tondeuse.

Enlèvement de batterie

Si la batterie a besoin d'être remplacée, déchargez la en faisant tourner la machine jusqu'à l'arrêt du moteur et ôtez-la.



Attention : Il se peut que la batterie soit encore faiblement chargée après l'arrêt du moteur. Il est par conséquent nécessaire de se protéger contre les courts-circuits accidentels des bornes de la batterie avec des outils non isolés ou des matériaux conducteurs comme, par exemple, de la paille de fer ou du papier aluminium.

Assurez-vous de détruire les batteries en respectant les consignes de sécurité.

Ce symbole indique que cette batterie au plomb ne doit pas être jetée avec les ordures ménagères.



Les batteries au plomb peuvent être nocives et exploser si elles sont exposées à des flammes. **Ne les détruisez pas par le feu.**

Vous devez impérativement la rapporter dans une agence de service après-vente agréée Black & Decker ou auprès d'une déchetterie ou un organisme contrôlé et agréé pour recycler les batteries.

Si la performance de tonte vous semble insuffisante, référez-vous au chapitre "Recherche de panne".



Attention ! Il est indispensable d'installer le fil rouge sur la borne rouge et le fil noir sur la borne noire lors de l'installation d'une nouvelle batterie.

Utilisation de la tondeuse (Fig. E)

Important! Respectez toutes les consignes de sécurité.



Attention! N'utilisez jamais votre tondeuse en ne la guidant que d'une seule main, mais toujours des deux mains.



Clé de sécurité

- Afin de prévenir toute mise en marche accidentelle ou une utilisation interdite de votre tondeuse, celle-ci est pourvue d'une clé de sécurité. La tondeuse ne peut être mise en route si la clé est retirée.





FRANÇAIS

- Utilisez toujours le bac de ramassage fourni.



Attention! Otez toujours la clé lorsque vous laissez la tondeuse sans surveillance ne serait-ce qu'un court instant.

- La clé de sécurité se trouve dans le paquet des pièces (plus un fusible de rechange).

Mise en route

- Insérez à fond la clé de sécurité.
- Basculez légèrement le guidon vers le bas pour surélever l'avant de la machine. Pressez le bouton sur le boîtier interrupteur et, dans le même temps, tirez le levier. Votre tondeuse se mettra en marche et vous pourrez relâcher le bouton de verrouillage de sécurité. Abaissez votre tondeuse à la position de coupe qui convient et commencez à tondre, en guidant la tondeuse des deux mains.
- Pour arrêter la tondeuse, il suffit de relâcher le levier qui reprendra sa position initiale.

Note : Votre tondeuse a des roues qui pivotent sur 360° pour une manœuvrabilité maximale. Les roues arrière peuvent être bloquées pour permettre une coupe en ligne droite parfaite, comme suit:

E2

- Poussez la tondeuse vers l'avant jusqu'à ce que toutes les roues tournent vers l'arrière de la tondeuse.

E3

- Tirez le levier de blocage du côté gauche de la tondeuse jusqu'à ce que la crémaillère s'engage.

E4

- Pour débloquer les roues, poussez le bouton de dégagement vers l'avant.

E5

- Si le levier s'engage totalement sur la crémaillère mais que les roues arrière ne se bloquent pas en place, relâchez le levier, dévissez l'ajustement du câble d'un tour et engagez à nouveau le levier et la crémaillère. Recommencez jusqu'à ce que les roues se bloquent fermement en place.

Votre tondeuse continuera de fonctionner tant que vous activez le levier de mise en marche en le tirant. Pour arrêter la tondeuse, relâchez le levier.

Lorsque vous avez fini de tondre, nous vous conseillons de bien nettoyer votre tondeuse. Il est primordial de retirer la clé avant de nettoyer. Consultez le chapitre "Entretien".

Remarque: Pour obtenir de meilleurs résultats, nous vous conseillons de tondre régulièrement et d'éviter de le faire lorsque l'herbe est humide.

Si de l'herbe s'éparpille sur la pelouse depuis le dessous de votre tondeuse, le collecteur d'herbe est probablement plein et doit être vidé.

Manœuvrabilité (Fig. D)

Les roues de votre tondeuse sont totalement rotatives et peuvent par conséquent être manœuvrées autour de troncs d'arbres et d'autres objets. Elles vous permettent également de couper des contours particuliers avec précision, par exemples les parterres de fleurs.

Pour une manœuvrabilité maximale, relâchez le mécanisme de blocage des roues arrière en poussant le bouton de dégagement vers l'avant.

Réglage de la hauteur de coupe (Fig. F)



Attention ! Enlevez la clé de sécurité avant d'apporter tout ajustement éventuel et attendez que la lame arrête de tourner : les lames de coupe sont tranchantes.

F1

- Tirez sur le levier vers l'extérieur et retenez-le dans cette position.
- À l'aide du levier, faites tourner le bouton pour fixer la hauteur de coupe souhaitée.
- Remettez le levier en place pour bloquer le bouton.

Note: Pour les pelouses plus hautes ou de taille inégale (particulièrement la première coupe de la saison), utilisez un réglage plus haut pour commencer et faites une deuxième coupe à la hauteur voulue.

Entretien de la lame

La lame en acier est conçue pour donner une très bonne qualité de tonte.

Si malgré tout la qualité de la coupe se détériore, la lame doit être changée ou réaffûtée.

Nous vous conseillons d'effectuer cette opération à chaque début de saison.

Les lames de rechange sont disponibles chez votre revendeur Black & Decker.



Attention! N'utilisez que cette lame Black & Decker.

Mise en place de la lame (Fig. G)



Attention! Observez toutes les consignes de sécurité et retirez la clé de sécurité.

G

- Tournez votre machine sur le côté de telle façon que le carter protecteur de la lame soit exposé.
- A l'aide d'un chiffon placé sur la lame ou de gants épais pour se protéger les mains, tenez la lame et desserrer et enlever avec une clé d'écrou de l'axe du moteur.



Tourner l'écrou dans le sens inverse des aiguilles d'une montre pour le desserrer.

- Vous pouvez maintenant remonter la lame et remettre la rondelle et l'écrou en place.

Note: Certaines machines sont montées avec une rondelle entre l'écrou de la lame et la lame; cette rondelle doit être remise à chaque fois.

Protection thermique (Fig. H)

- Votre tondeuse est pourvue d'un disjoncteur thermique. Si vous tondez trop vite ou une herbe trop haute et humide, vous pouvez faire surchauffer le moteur. Si cela se produit, le fusible de la clé de sécurité sautera et la machine s'arrêtera.
- Il ne s'agit pas d'une panne, mais d'un dispositif de protection du moteur.
- Lorsque cela se produit, enlever la clé de sécurité et contrôler la liaison fusible. Si la liaison est cassée, le fusible a sauté et doit être remplacé par un nouveau. Il y en a un qui est fourni dans votre paquet de pièces. Il est aussi possible d'acheter une nouvelle clé chez un centre agréé d'entretien Black & Decker.

H

Afin d'éviter de telles situations:

- Tondez votre pelouse régulièrement.
- Ne tondez pas de l'herbe humide.
- Lorsque l'herbe fait plus de 10cm, nous vous conseillons de faire un premier passage avec le réglage à la hauteur maximum puis un second à la hauteur désirée.

Soin et entretien

Cette section traite des soins et de l'entretien général du corps principal de votre tondeuse. Veuillez consulter la section "Entretien de la lame" pour tous renseignements spécifiques sur les lames, et la section "Informations sur la batterie" pour tous renseignements sur l'entretien et le rangement de la batterie.

- Prenez garde à ce que votre tondeuse soit toujours propre. En particulier le carter de lame et les ailettes d'aération.
- A la fin de chaque tonte, nous vous recommandons d'enlever l'herbe accumulée en dessous de la tondeuse à l'aide d'un grattoir émoussé. Vous pouvez également utiliser la clé qui accompagne cette tondeuse à cette fin.
- Nettoyez les parties en plastique à l'aide d'un chiffon humide.
- **Attention!** N'utilisez pas de solvants ou de produits de nettoyage qui pourraient détériorer le plastique.

Conseils pour une utilisation optimale

- Si vous voulez couper de l'herbe haute, sélectionnez la hauteur de coupe la plus grande sur la tondeuse.

- Rechargez complètement la batterie avant la première utilisation.
- Rechargez la batterie immédiatement après usage.
- Avant de ranger l'appareil, rechargez complètement la batterie.
- Ne rangez pas la tondeuse ou la batterie dans des endroits exposés à des températures extrêmes.
- Si la batterie est rangée pendant une période de temps prolongée, rechargez-la régulièrement.
- Notez qu'après une période d'inactivité prolongée, la batterie n'atteindra son niveau de charge complet qu'après plusieurs cycles de rechargement-déchargement.

Recherche de panne

Si votre tondeuse ne fonctionne pas correctement, référez vous au tableau suivant:

Problème	Solution
La tondeuse ne démarre pas lorsque le levier est actionné	(a) Assurez vous que la clé de sécurité est bien en place. b) Otez la clé, retournez la machine et assurez vous vous que la lame n'est pas bloquée. c) La batterie est-elle chargée? (d) Vérifiez que le fusible n'a pas sauté.
La tondeuse s'arrête.	a) Otez la clé de sécurité, retournez la machine et assurez vous que la lame n'est pas bloquée. b) Rehaussez la hauteur de tonte et redémarrez. c) La batterie est-elle chargée? (d) Vérifiez l'état de la liaison du fusible de la clé. Si la liaison est cassée, le fusible a sauté et la clé doit être remplacé.
La tondeuse fonctionne mais la performance de coupe n'est pas satisfaisante.	a) La batterie est-elle chargée? b) La batterie peut avoir besoin d'être changée. Consultez la section "Enlèvement de batterie".
La tondeuse est trop lourde à pousser.	a) Rehaussez la hauteur de coupe pour réduire les frottements. Vérifiez si les roues ne sont pas bloquées.
La tondeuse vibre et est sécurité. anormalement bruyante.	a) Enlevez la clé de sécurité. Tournez la tondeuse sur le côté et vérifiez la présence éventuelle de détériorations au niveau de la lame. Si la lame est endommagée, remplacez-la par une lame de rechange Black & Decker.



b) S'il n'y a pas de trace de dégât, amenez votre machine à votre centre de réparation agréé Black & Decker

FRANÇAIS



Attention! Retirez toujours la clé de sécurité avant toute manipulation ou inspection.

Protection de l'environnement

Outils



Black & Decker fournit un dispositif permettant de recycler les produits Black & Decker et des batteries rechargeables lorsqu'ils ont atteint la fin de leur cycle de vie. Ce service est gratuit. Pour pouvoir profiter de ce service, veuillez retourner votre produit à un réparateur agréé qui se chargera de le collecter pour nous.

Batteries



Les batteries Black & Decker peuvent être rechargées de nombreuses fois. A la fin de leur durée de vie technique, jetez les piles en respectant l'environnement :

- Videz complètement la batterie, puis retirez-la de l'outil.
- Les batteries sont recyclables. Apportez-les à votre réparateur agréé ou à un centre de recyclage local.

Pour connaître l'adresse du réparateur agréé le plus proche de chez vous, contactez le bureau Black & Decker à l'adresse indiquée dans ce manuel. Vous pourrez aussi trouver une liste des réparateurs agréés de Black & Decker et de plus amples détails sur notre service après-vente sur le site Internet à l'adresse suivante : www.2helpU.com.

Garantie

Black & Decker est confiant dans la qualité de ses produits et vous offre une garantie très étendue. Ce certificat de garantie est un document supplémentaire et ne peut en aucun cas se substituer à vos droits légaux. La garantie est valable sur tout le territoire des Etats Membres de l'Union Européenne et de la Zone de Libre Echange Européenne.

Si un produit Black & Decker s'avère défectueux en raison de matériaux en mauvaises conditions, d'une erreur humaine, ou d'un manque de conformité dans les 24 mois suivant la date d'achat, Black & Decker garantit le remplacement des pièces défectueuses, la réparation des produits usés ou cassés ou remplace ces produits à la convenance du client, sauf dans les circonstances suivantes :

- Le produit a été utilisé dans un but commercial, professionnel, ou a été loué.
- Le produit a été mal utilisé ou avec négligence.
- Le produit a subi des dommages à cause d'objets étrangers, de substances ou à cause d'accidents.
- Des réparations ont été tentées par des techniciens ne faisant pas partie du service technique de Black & Decker.

Pour avoir recours à la garantie, il est nécessaire de fournir une preuve d'achat au vendeur ou à un réparateur agréé. Pour connaître l'adresse du réparateur agréé le plus proche de chez vous, contactez le bureau Black & Decker à l'adresse indiquée dans ce manuel. Vous pourrez aussi trouver une liste des réparateurs agréés de Black & Decker et de plus amples détails sur notre service après-vente sur le site Internet à l'adresse suivante : www.2helpU.com.

Autres outils de jardinage

Black & Decker propose une gamme complète d'outils de jardinage facilitant l'entretien du jardin. Si vous souhaitez obtenir de plus amples renseignements sur les produits suivants, veuillez contacter notre Centre de Service et d'Information (voir la page d'adresse à la fin de ce manuel) ou vous adresser à votre revendeur Black & Decker le plus proche.

Tronçonneuses

Cisaille à gazon sans fil

Coupes bordures

Tailles-haies à fil ou sans fil

Tondeuses

Aspirateur / souffleur / broyeur

Broyeurs

Aérateur Démousseur

Tous les produits ne sont pas disponibles dans tous les pays.

Déclaration de conformité CE

GFC1234/GFC1238/GFC2438

Black & Decker déclare que ces outils sont conformes aux normes:

98/37/CEE, 89/336/CEE, 73/23/CEE,
EN 55014, EN 60335, EN 61000,

2000/14/CEE, tondeuse, L ≤ 50 cm, Annexe VIII,
No. 0086

B.S.I., HP2 4SQ, Royaume Uni

Niveau de pression acoustique, mesuré suivant
la norme 2000/14/CEE:

L _{PA}	(pression acoustique)	dB(A)	79
L _{WA}	(puissance acoustique)	dB(A)	93
L _{WA}	(garanti)	dB(A)	96

Niveau de vibration main/bras selon la norme
EN 50144:

Brian Cooke

Directeur du Développement
Spennymoor, County Durham DL16 6JG,
Royaume-Uni
1-12-2001

Snoerloze Cirkelmaaier

Gebruiksaanwijzing

Gefeliciteerd!

Met de aankoop van uw Black & Decker snoerloze cirkelmaaier.

Deze handleiding bevat belangrijke instructies voor de bediening en het onderhoud van alle grasmaaiers in het snoerloze programma van Black & Decker.

Ken uw machine



Lees deze handleiding aandachtig door. Neem alle voorgeschreven veiligheidsmaatregelen in acht, voor, tijdens en na het gebruik van uw machine, en houd uw machine gebruiksklaar.



Maak uzelf vertrouwd met de bediening van uw machine voordat u haar gaat gebruiken, maar zorg er in de eerste plaats voor dat u weet hoe u de machine kunt stopzetten in geval van nood.

Bewaar deze handleiding en alle andere papieren die u bij de machine kreeg, voor raadpleging in de toekomst.

Veiligheidsvoorschriften

Algemeen

- Laat kinderen of mensen die met dit soort maaiers niet vertrouwd zijn, er nooit mee werken. Geef de maaier ook nooit in handen van mensen die deze gebruiksaanwijzing niet hebben gelezen.



Laat kinderen, dieren of andere personen niet in de buurt van de maaier komen wanneer u ermee aan het werken bent - houd hen altijd op een afstand van minstens 6 meter van het maaigebied.

- Denk eraan dat de bediener/gebruiker verantwoordelijk is voor ongevallen, letsels of schade toegebracht aan andere mensen of hun eigendommen.

Vorbereiding

- Draag altijd stevige schoenen of laarzen om uw voeten te beschermen - vers gemaaid gras is vochtig en glad.
- Gebruik in een stoffige omgeving een stofmasker.
- Werk niet in een omgeving met ontplofbare gassen.
- Maai nooit blootsvoets of met open sandalen aan.



- Draag een lange broek om uw benen te beschermen - afval dat op het gazon of in het maaigebied ligt, kan door de snijmesses worden opgepakt en weggeslingerd.
- Zorg er steeds voor dat de maaier goed en veilig functioneert.
- Verwijder de veiligheidsleutel voor u de maaier gebruikt en controleer of het snijmes, de bladmoer en het snijgedeelte niet versleten of beschadigd zijn. Beschadigde snijmesses en versleten bladmoeren zijn gevaarlijk moeten worden vervangen. Controleer ook of de bladmoer stevig is vastgedraaid.
- Controleer steeds of er geen takken, stenen, draad of ander afval op uw grasveld of uw snoeipad liggen. Bij contact met dergelijk afval kunt u gevaar lopen of uw machine beschadigen. Het afval kan steeds weer omhooggeworpen worden door de messen.
- Controleer de grasopvangner regelmatig op slijtage of beschadiging.

Werking

- Bij het naar beneden (of naar de zijkant) duwen van het handvat om uw maaimachine te starten, dient u niet verder te duwen dan strikt noodzakelijk. Zorg er altijd voor dat beide handen in de werkpositie staan en dat de voeten niet in de buurt van de bladen komen als u de maaimachine weer op de grond zet en begint te maaien. Gebruik beide handen om de machine te sturen.
- Vermijd dat de maaier per ongeluk aanslaat. Vergewis u ervan dat de schakelaar in het omhulsel is verzonken wanneer u de veiligheidsleutel insteekt.



De machine zal nog even verder lopen wanneer u de schakelhendel loslaat. Laat de machine steeds uit zichzelf tot stilstand komen.

- Laat de schakelhendel los om de maaier uit te schakelen en verwijder de veiligheidsleutel:
 - Telkens wanneer u de maaier onbewaakt achterlaat.
 - Voor u de maaier controleert, schoonmaakt of onderhoudt.



NEDERLANDS

- Voor u een verstopping vrijmaakt.
- Als de maaier abnormaal begint te trillen (controleer dit onmiddellijk).
- Als u een vreemd voorwerp hebt geraakt, controleer dan onmiddellijk of de maaier beschadigd is en herstel de eventuele schade.
- Laat de maaier nooit draaien wanneer hij op zijn zijkant ligt of probeer nooit om het snijmes te stoppen - laat dit altijd vanzelf tot stilstand komen.
- Blijf met uw handen of voeten uit de buurt van ronddraaiende delen.
- Blijf steeds uit de buurt van de afvoeropeningen.
- Gebruik de maaier niet in de regen en maai indien mogelijk nooit nat gras.
- Maai alleen bij daglicht of bij zeer helder kunstlicht.
- Trek de maaier niet naar u toe of loop niet achterwaarts tijdens het maaien.
- Steek geen kiezelpaden of verharde wegen over terwijl de snijmessen draaien.
- Zorg er altijd voor dat u stevig staat, vooral op een helling.
- Maai altijd van links naar rechts op een helling, nooit van boven naar beneden. Wees uiterst voorzichtig wanneer u op een helling van richting verandert.
- Maai geen bijzonder steile hellingen en draag altijd schoeisel met anti-slipzolen.
- Controleer de grasopvangbak regelmatig op slijtage of beschadigingen en vervang hem indien nodig.
- Stap altijd met een normaal tempo, ren nooit. Forceer de maaier niet.
- Til de maaier nooit op of draag hem nooit terwijl de motor aan het draaien is.
- Vergewis u ervan dat de snijmessen niet meer draaien wanneer u de maaier optilt om hem van en naar het maai gebied te brengen.
- Wanneer u de machine verplaatst, verwijder dan altijd de veiligheidssleutel, kies één van de middelste maaistanden en til de maaier bijzonder voorzichtig op.
- Gebruik de maaier nooit wanneer de beschermkappen of -platen defect zijn.
- Om per ongeluk opstarten of onbevoegd gebruik van uw grasmaaier te voorkomen wordt er een uitneembare veiligheidssleutel met de grasmaaier meegeleverd. Nadat de veiligheidssleutel uit de grasmaaier is gehaald wordt de grasmaaier onbruikbaar. Verwijder de sleutel altijd voordat u de grasmaaier



reint of een onderhoudsbeurt geeft en zeker voordat de messen worden vervangen.

- Als u om wat voor reden dan ook in aanraking komt met batterij-elektrolyt, spoel dan onmiddellijk met water en raadpleeg een arts als het in aanraking komt met de ogen.

Onderhoud en opberging

- Berg de maaier op een droge plaats en buiten het bereik van kinderen op als hij niet wordt gebruikt. Verwijder de veiligheidssleutel.
- Gebruik geen oplosmiddelen of reinigingsvloeistoffen om uw maaier schoon te maken - gebruik een botte schraper om gras en vuil weg te schrapen. Verwijder altijd de veiligheidssleutel voor u de maaier schoonmaakt.
- Laad of berg de maaier nooit buiten op.
- Gebruik de maaier nooit wanneer onderdelen beschadigd zijn: laat alle defecte onderdelen verwijderen en nieuwe onderdelen monteren voor u de maaier gebruikt.
- Vervang voor uw eigen veiligheid steeds alle versleten of beschadigde onderdelen.
- Span alle moeren, bouten en schroeven stevig aan om een veilige werking van uw maaier te verzekeren.
- Gebruik alleen door Black & Decker aanbevolen vervangonderdelen en accessoires.



Black & Decker streeft ernaar om zijn producten voortdurend te verbeteren en behoudt zich dan ook het recht voor om de productspecificaties zonder voorafgaande kennisgeving te wijzigen.

Eigenschappen (Fig. A)

A Door uw aankoop van een Black & Decker snoerloze maaier beschikt u over een product dat kwaliteit combineert met modern design. De volgende eigenschappen garanderen dat u veilig, doeltreffend en gemakkelijk kunt maaien.

- Snoerloos - u hebt bij het maaien geen verlengsnoeren nodig.
- Brandstofvrij - u hoeft geen benzine en olie te kopen, te mengen, op te slaan of te vervoeren.





- Schoon - er is geen uitstoot van verbrandingsgassen, de maaier is dus milieuvriendelijk.
- Heroplaadbare batterijen – voor betrouwbare kracht.
- Gemakkelijk te starten - start altijd meteen.
- Speciaal ontworpen schakeldoos en veiligheidssleutel om te verhinderen dat de maaier per ongeluk aanslaat.
- Ergonomisch ontworpen naar boven gebogen hendel voor comfortabel gebruik en om gemakkelijk te kunnen duwen.
- Een messenrem voor extra veiligheid. De messenrem stopt de messen binnen 3 seconden wanneer de schakelhendel wordt losgelaten.
- Grote vleugelmoeren aan de hendel voor gemakkelijke montage en opberging.
- 14 maaihoogtes en dus flexibel genoeg voor de meeste graslengtes.
- Uw grasmaaier heeft wielen die 360° kunnen draaien voor maximale manoeuvreerbaarheid en waardoor er tot aan de rand van het gazon en om voorwerpen heen kan worden gemaaid.
- De achterwielen zijn vergrendelbaar zodat er in een perfecte rechte lijn kan worden gemaaid.
- Gemakkelijke verwijdering van de grasopvangbak.
- Stevige en duurzame kunststofkap, die niet roest en het lawaai en de trillingen tot een minimum beperkt.
- Krachtige, efficiënte en rustige magneetmotor voor het effectief maaien en gras opvangen onder alle redelijke omstandigheden.

Inhoud van de verpakking

De verpakking bevat:

- 1 Grasmaaierromp
- 1 Handgreep (3 delen)
- 1 Grasopvangbak (2 delen)
- 1 Steeksleutel/schraper
- 1 Schroevendraaier
- 1 Accu
- 1 Accudeksel
- 1 Oplader
- 1 Veiligheidssleutel
- 1 Reserve zekering
- 2 Vleugelmoeren
- 2 Sluitringen

- 2 Speciaal gevormde sluitringen
- 2 Bouten voor de bovenste handgreep
- 2 Bouten voor de onderste handgreep
- 5 Schroeven voor de grasopvangbak
- 2 Kabelklemmen
- 1 Handleiding
 - Pak zorgvuldig alle onderdelen uit.

Monteren van de handgreep

- Plaats de grasmaaier met zijn wielen op een stevig en egaal oppervlak.
- B1**
- Plaats de handgrepen in de openingen zoals afgebeeld in fig. B1, zodanig dat ze naar boven toe breder worden.
 - Zet beide handgrepen vast met een bout en een speciaal gevormde sluitring zoals afgebeeld. Zet de bout goed vast met de meegeleverde steeksleutel.
- B2**
- Plaats het U-vormige bovenste deel van handgreep op de stangen zoals afgebeeld.
- B3**
- Zet de bovenste handgreep vast met behulp van de bouten, sluitringen en vleugelmoeren zoals afgebeeld.
 - Zet de kabels vast aan de handgreep met behulp van de meegeleverde kabelklemmen.



Gebruik geen gereedschap om de vleugelmoeren vast te draaien.

Montage van de grasopvangbak (Fig. C)

De grasopvangbak wordt in twee delen geleverd. Ga als volgt te werk om hem in elkaar te zetten:

- C1**
- Leg de twee helften van de grasopvangbak tegen elkaar.
 - Bevestig de twee helften aan elkaar met behulp van de 5 schroeven en de meegeleverde schroevendraaier.

De grasopvangbak aan de grasmaaier monteren:

- C2**
- De achterklep met veer wordt opgetild en de bovenkant van de grasopvangbak wordt over de bevestiging geplaatst.
 - De achterklep kan nu worden losgelaten om de grasopvangbak op zijn plaats te vergrendelen.

De grasopvangbak van de grasmaaier verwijderen:

De volle grasopvangbak kan van de grasmaaier worden verwijderd door de grasklep op te tillen, de grasopvangbak van



NEDERLANDS

de bevestiging los te maken en hem op het gras neer te zetten. De grasklep voorzichtig laten zakken zodat u beide handen vrij hebt om de volle grasopvangbak op te tillen.

Plaatsen van het accudeksel

- C3**
- Zet het meegeleverde accudeksel in elkaar, plaats hierbij scharnier nr. 1 in het hoofddeel van de maaimachine en druk dan scharnier nr. 2 op zijn plaats.

Bevestiging van de accuriem

- C4**
- De batterij en de draagriem vinden.
 - De draagriem zoals aangegeven aan de batterij vastmaken.
 - De riem dient te allen tijde op de batterij gehouden te worden.

Informatie over de batterij

- De batterij in uw snoerloze maaier is een hermetisch dichte loodzuuraccu. Deze batterij werkt met geabsorbeerd elektrolyt en kan derhalve in om het even welke positie worden opgeborgen zonder gevaar voor lekkage.
- **De batterij is op de fabriek opgeladen, maar dient minimaal 30 uur voor elk gebruik opnieuw te worden opgeladen om te verzekeren dat hij volledig is opgeladen.**
- Voor optimale prestaties moet de batterij na elk gebruik worden heropgeladen.
- **Wanneer u de maaier voor de winter opbergt, moet u ervoor zorgen dat:**
 - **De maaier voor het opbergen volledig is opgeladen.**
 - **De temperatuur van de opbergruimte minder dan 25°C bedraagt.**
 - **De maaier niet langer dan 6 maanden wordt opgeborgen.**
- Berg de maaier altijd op een droge en koele plaats op.
- Houd de maaier en de batterij steeds uit de buurt van water, warmtebronnen (zoals radiatoren, verwarmingstoestellen, kachels, etc.), vlammen of chemicaliën.

Voorschriften voor het opladen



- Laad uw maaier altijd binnen op, in een goed verluchte, droge ruimte die beschermd is tegen weersinvloeden.
- Laad de maaier op in een ruimte met een temperatuur tussen 5°C en 40°C.



Waarschuwing! Laad geen niet-oplaadbare batterijen op.

Opladen

- De batterij op uw grasmaaier kan op de grasmaaier worden opgeladen of worden verwijderd en apart worden opgeladen als er geen stopcontact binnen bereik van de grasmaaier is.

Het opladen van de batterij OP de grasmaaier

- De veiligheidsleutel verwijderen en op een veilige plaats buiten het bereik van kinderen opbergen.
- De afdekplaat van de batterij halen door de vergrendelingssymbolen op de zijkanten van de afdekplaat in te drukken. De afdekplaat kan in zijn geheel worden verwijderd.
- De voedingsdraad (rood en zwart) van de batterij losmaken door het uit de contactdoos aan de zijkant van de batterij-inkeping te trekken.
- De rode en zwarte contactdoos van de oplader wordt vervolgens met de rode en zwarte contactdoos van de batterij verbonden.

Let op: De contactdoos van de oplader kan slechts op één manier bevestigd worden.

- Steek de stekker van de lader in het stopcontact en zet hem aan.
- De rode indicator op de lader gaat branden. Dit geeft aan de batterij wordt opgeladen.

Lader met twee lampjes

- Wanneer de accu opgeladen is, dit duurt gewoonlijk 24 tot 30 uur, gaat het rode lampje uit en het groene lampje branden.
- Het is veilig om uw accu op te laden totdat hij klaar is voor gebruik.

Als de accu is opgeladen

- Haal de lader van de accu af en verbind de accu met de contactdoos op de grasmaaier.
- Uw grasmaaier kan nu gebruikt worden.

Het opladen van de batterij APART van de grasmaaier

- De veiligheidsleutel en de afdekplaat van de batterij, zoals hierboven omschreven, verwijderen en de batterij losmaken.



- De batterij met behulp van de draagriem uit de grasmaaier tillen.
- De batterij, zoals hierboven omschreven, opladen.
- De batterij na het opladen terug in de grasmaaier plaatsen en aan de contactdoos op de grasmaaier bevestigen.

Verwijderen van de batterij

Wanneer de batterij van de maaier moet worden vervangen, ontlad dan de batterij door de maaier te laten draaien tot de motor stilvalt. Verwijder de batterij uit de maaier.



Opgelet! De batterij kan nog een restlading bevatten, zelfs nadat de motor is stilgevallen. Daarom moet een bescherming worden voorzien tegen toevallige kortsluiting van de batterijklemmen door niet-geïsoleerde werktuigen of geleidende materialen, zoals staalwol of aluminiumfolie.

De batterijen moeten op een milieuvriendelijk manier worden verwerkt.



Dit symbool geeft aan dat de loodzuurbatterij van deze maaier op een milieuvriendelijke manier moet worden verwerkt en niet met het gewoon huishoudelijk afval mag worden meegegeven, aangezien dit in een verbrandingsoven of op een stortplaats kan terechtkomen.



Loodzuurbatterijen kunnen schadelijk zijn voor het milieu en ontploffen wanneer ze in het vuur worden gegooid. **Verbrand nooit loodzuurbatterijen.**

Breng de batterij naar een Black & Decker Service Center, naar uw plaatselijke dealer of naar uw plaatselijk afvalverwerkingsdepot. Indien nodig kunt u de lokale overheid contacteren voor meer informatie over een milieuvriendelijke afvalverwijdering.

Als de maairesultaten beginnen te verslechteren, lees dan de gids "Tips voor het oplossen van problemen".



Waarschuwing! Bij het installeren van een nieuwe accu is het belangrijk dat de rode kabel op de rode aansluitklem wordt aangesloten en de zwarte kabel op de zwarte aansluitklem.

Hoe moet u de maaier gebruiken (Fig. E)

Belangrijk! Neem steeds alle toepasselijke waarschuwingen in acht als u de maaier gebruikt.



Opgelet! Probeer nooit om uw maaier met één hand te bedienen. Stuur de maaier steeds met beide handen.



Veiligheidsleutel

- Om te vermijden dat uw snoerloze maaier per ongeluk start of dat onbevoegden ermee zouden werken, werd een afneembare veiligheidsleutel ingebouwd. De maaier is volledig uitgeschakeld als deze veiligheidsleutel uit de maaier is getrokken.
- Gebruik altijd de meegeleverde grasopvanger.



Opgelet! Trek de veiligheidsleutel altijd uit de maaier als u deze, zelfs voor enkele ogenblikken, onbewaakt achterlaat.

- De veiligheidsleutel is meegeleverd in het onderdelenpakket (plus één reservezekeringsleutel).

Starten

- Steek de veiligheidsleutel in de maaier en druk hem volledig op zijn plaats.
- Druk de hendel naar beneden om de voorkant van de maaier lichtjes op te tillen om het risico te vermijden dat de snijmessen bij het starten in uw gazon ploegen. Druk de vergrendelknop op de schakeldoos in en trek de schakelhendel naar u toe, terwijl u deze knop ingedrukt houdt. Uw maaimachine start en u kunt nu de afsluitknop loslaten. Verlaag uw maaimachine tot de juiste maaipositie en begin met het maaien. Gebruik beide handen om de machine te sturen.
- Laat de schakelhendel gewoon los om de motor af te zetten. Door de veerwerking springt de schakelhendel automatisch terug in zijn oorspronkelijke stand in het omhulsel van het handvat.

Let op: De wielen van de grasmaaier kunnen 360° draaien voor maximale manoeuvreerbaarheid. De achterwielen kunnen voor een recht en nauwkeurig maaieresultaat als volgt worden vergrendeld:

E2

- Duw de grasmaaier naar voren totdat alle wielen naar de achterkant van de maaier draaien.

E3

- Trek aan de vergrendelingshendel aan de linkerkant van de grasmaaier totdat de pal aan de hendel wordt gekoppeld.

E4

- Om de wielen te ontgrendelen de knop naar voren duwen.

E5

- In het geval dat de hendel volledig aan de pal is gekoppeld maar de achterwielen niet vergrendelen, laat dan de hendel los, de kabelafstelling met één draai losschroeven en de hendel en pal opnieuw aan elkaar koppelen. Herhalen totdat de wielen volledig zijn vergrendeld.

De grasmaaier blijft lopen terwijl u de hendel vasthoudt. Om de grasmaaier stop te zetten, de hendel loslaten.



NEDERLANDS

Wanneer u klaar bent met maaien, raden wij u aan om de maaier schoon te maken en het afval te verwijderen vooraleer u hem opbergt. Het is belangrijk dat u de veiligheidssleutel verwijdert voor u de maaier schoonmaakt. Lees hiervoor de paragraaf "Onderhoud van uw machine".

Opmerking: Om de beste resultaten te krijgen, moet u het gazon of de grasvlakte regelmatig maaien en het gras niet maaien terwijl het nat is.

Als er tijdens het maaien los gras onder uit de machine komt, dan is de grasopvanger waarschijnlijk vol en moet u deze legen.

Manoeuvrerebaarheid (Fig. D)

Uw grasmaaier is voorzien van volledig draaiende wielen en kan daarom langs bomen en andere voorwerpen maaien. Het is tevens mogelijk om contourvormen in uw tuin zoals bloemperken nauwkeurig te maaien.

Voor maximale manoeuvrerebaarheid kunt u het vergrendelmechanisme van de achterwielen losmaken door de knop naar voren te duwen.



Gebruik tijdens het manoeuvreren van de grasmaaier altijd de kabelinklemming en zorg ervoor dat de kabel uit de buurt wordt gehouden van het maaigebied.

De maaihogte afstellen (Fig. F)



Waarschuwing! Haal de veiligheids sleutel uit de machine voordat u de hoogte afstelt en wacht tot de messen tot stilstand zijn gekomen. De snijmesses zijn bijzonder scherp.

F1

- Klap de hendel naar buiten en houd hem stevig vast.
- Draai de knop met behulp van de hendel om de gewenste maaihogte in te stellen.
- Klap de hendel terug om de knop te vergrendelen.

F2

- Om een gestreept effect op uw grasmat te krijgen, dient u eerst de streepklep in de juiste stand te bevestigen met de 2 meegeleverde schroeven. Daarna stelt u de maaihogte in op een lage stand (uitsluitend voor Groot-Brittannië).

Let op: Als het gras lang of ongelijk is (vooral als het gazon na de winter voor de eerste keer wordt gemaaid) gebruik dan eerst een hogere maaistand en maai het gazon vervolgens een tweede keer voor de gewenste lengte.

Onderhoud van de snijmesses

Het stalen snijmes is speciaal ontworpen voor een fijne afwerking van lang of hard gras.

Wanneer de snijprestaties van het mes door beschadiging of slijtage echter verminderen, is het mogelijk dat uw maaier een nieuw snijmes nodig heeft of dat het gemonteerde snijmes moet worden geslepen.

Wij raden u aan om bij het begin van elk maaiseizoen het stalen snijmes te slijpen of een nieuw snijmes aan te brengen.

Vervangmesses zijn verkrijgbaar bij alle Black & Decker- dealers en Service Centers.



Opgelet! Wanneer u een nieuw snijmes aanbrengt, gebruik dan alleen de Black & Decker- vervangonderdelen die geschikt zijn voor uw machine - probeer niet om een ander snijmes te monteren.

Aanbrengen van nieuwe messen (Fig. G)



Neem bij het gebruik van deze grasmaaier altijd de veiligheidsvoorschriften in acht.

Waarschuwing! Verwijder de veiligheids-sleutel uit de machine voordat u het mes gaat vervangen.

G

- Draai uw machine op zijn kant, zodat de onderzijde van het afsluitpaneel vrijkomt.
- Bescherm uw handen door een doek over het mes te plaatsen of sterke handschoenen te dragen. Het mes vastpakken en, met behulp van een steeksleutel, de moer losmaken en uit de motoras halen. Draai de moer naar links om hem los te draaien.
- Vervang nu het mes en plaats de dichtingsring en moer.

Let op: Bij sommige typen bevindt zich tussen het mes en de bout nog een borgringetje. Let er goed op dat dit altijd weer opnieuw wordt aangebracht.

Beveiliging tegen overbelasting (Fig. H)

- Uw maaier is voorzien van een beveiliging tegen overbelasting. Wanneer u te snel werkt in lang gras of onder moeilijke maaioomstandigheden kunt u de motor overbelasten. In dit geval springt de zekering in de veiligheidssleutel waardoor de grasmaaier tot stilstand komt te staan.



H

- Dit is geen defect maar een veiligheids-onderdeel om de machine te beschermen.
- Verwijder in dit geval de veiligheidssleutel en inspecteer de smeltstrook. Als de strook is gebroken betekent dit dat de zekering is doorgeslagen en door een nieuwe moet worden vervangen. Een reservezekering is meegeleverd in het onderdelenpakket. Nieuwe sleutels zijn tevens bij alle Black & Decker servicecentra verkrijgbaar.

Houd voor optimale resultaten rekening met het volgende:

- Maai het gras regelmatig.
- Maai geen nat gras.
- Maai gras dat langer is dan 10cm best eerst op een hoge maaistand en werk het vervolgens af op een lagere maaistand.

Onderhoud van uw machine

De tips in deze paragraaf hebben betrekking op het algemeen onderhoud van het hoofdgedeelte van uw maaier. Tips met betrekking tot de snijmessen vindt u in de paragraaf "Onderhoud van de snijmessen".

Tips voor het onderhoud en het opbergen van de batterij vindt u in de paragraaf "Informatie over de batterij".

- Houd de machine altijd schoon en verwijder het grasafval, vooral aan de onderkant van het frame en in de luchtgaten.
- Wij raden u aan om na elke maaibeurt het opgehoopt gras van de onderkant met een botte schraper van het frame te verwijderen. U kunt hiervoor ook de spansleutel gebruiken die bij deze maaier wordt geleverd.
- Maak alle kunststofonderdelen schoon met een vochtige doek.
- **Opgelet!** Gebruik geen oplosmiddelen of schoonmaakvloeistoffen. Deze kunnen de kunststofonderdelen van de maaier beschadigen.

Tips voor optimaal gebruik

- Stel de grasmaaier in op de hoogste maaihogte voor het maaien van lang gras.
- Zorg dat de accu volledig is opgeladen voor het eerste gebruik.
- Laad de accu na gebruik onmiddellijk op.
- Laad de accu volledig op, voordat u de grasmaaier opbergt.
- Berg de grasmaaier of de accu niet op bij extreem hoge of lage temperaturen.

- Laad de accu regelmatig op wanneer deze voor een langere tijd wordt opgeborgen.
- Let er op dat na een langere opslagperiode de accu pas zijn volledige capaciteit bereikt na een aantal ontlad- en laad-cycli

Tips voor het oplossen van problemen

Wanneer uw maaier niet correct functioneert, kunt u de volgende tabel raadplegen om het probleem op te lossen.

Probleem	Oplossing
De maaier start niet als de schakelhendel wordt bediend.	<p>a) Controleer of de veiligheidssleutel precies op zijn plaats zit.</p> <p>(b) Verwijder de veiligheidssleutel, draai de maaier op zijn kant en controleer of het snijmes ongehinderd kan draaien.</p> <p>(c) Is de batterij volledig opgeladen? Steek de stekker van de oplader in het stopcontact en wacht tot het groene lampje brandt.</p> <p>(d) Controleer of de zekering in orde is.</p>
De motor stopt tijdens het maaien.	<p>(a) Verwijder de veiligheidssleutel. Draai de maaier op zijn kant en controleer of het snijmes ongehinderd kan draaien.</p> <p>(b) Verhoog de maaihogte van de wielen tot op de hoogste stand en start de maaier opnieuw.</p> <p>(c) Is de batterij volledig opgeladen? Steek de stekker van de oplader in het stopcontact en wacht tot het groene lampje brandt.</p> <p>(d) Inspecteer de smeltstrook in de veiligheidssleutel. Als deze is gebroken, is de zekering gesprongen en moet hij door een nieuwe sleutel worden vervangen.</p>
De maaimachine werkt, maar maait slecht.	<p>(a) Is de batterij volledig opgeladen? Steek de stekker van de oplader in het stopcontact en wacht tot het groene lampje brandt.</p> <p>(b) Misschien moet de batterij worden vervangen. Zie de paragraaf "Verwijderen van de batterij".</p>
De maaier is heel moeilijk vooruit te duwen.	<p>(a) Verhoog de maaistand om de wrijving van de maaikap over het gazon te beperken. Controleer of alle wielen ongehinderd kunnen draaien.</p>



NEDERLANDS

De maaier maakt abnormaal veel lawaai en trilt.

(a) Verwijder de veiligheidssleutel. Draai de maaier op zijn kant en controleer of het snijmes niet beschadigd is. Vervang een beschadigd snijmes door een Black & Decker vervangmes.
(b) Als er geen zichtbare schade is aan het snijmes of aan de onderkant van de maaier, breng hem dan naar het dichtstbijzijnde service centre of naar uw dealer.



Opgelet: Verwijder steeds de veiligheidssleutel voor u de machine controleert.

Milieu

Machines



Black & Decker biedt de mogelijkheid tot recyclen van afgedankte Black & Decker producten en accu's. Deze service is kosteloos. Om gebruik van deze service te maken, dient u het product aan een van onze servicecentra te sturen, die voor ons de inzameling verzorgen.

Accu's



Black & Decker accu's kunnen vele malen opnieuw worden opgeladen. Versleten accu's dienen op milieubewuste wijze te worden verwijderd:

- Gebruik de energie van de accu helemaal op en verwijder hem dan van de machine.
- Accu's zijn te recyclen. Breng ze naar een servicecentrum of naar een plaatselijk verwerkingscentrum voor klein chemisch afval.

U kunt het adres van het dichtstbijzijnde servicecentrum opvragen via de adressen op de achterzijde van deze handleiding. U kunt ook een lijst van onze servicecentra en meer informatie m.b.t. onze klantenservice vinden op het volgende Internet-adres: **www.2helpU.com**.

Garantie

Black & Decker heeft vertrouwen in zijn producten en biedt een uitstekende garantie. Deze garantiebepalingen vormen een aanvulling op uw wettelijke rechten en beperken deze niet. De garantie geldt in de lidstaten van de Europese Unie en de Europese Vrijhandelsassociatie.

Mocht uw Black & Decker product binnen 24 maanden na datum van aankoop defect tengevolge van materiaal- of constructiefouten, dan garanderen wij de kosteloze vervanging van defecte onderdelen, de reparatie van het product of de vervanging van het product, tenzij:

- Het product is gebruikt voor handelsdoeleinden, professionele toepassingen of verhuurdoeleinden;
- Het product onoordeelkundig is gebruikt;
- Het product is beschadigd door invloeden van buitenaf of door een ongeval;
- Reparaties zijn uitgevoerd door anderen dan onze servicecentra of Black & Decker personeel.

Om een beroep op de garantie te doen, dient u een aankoopbewijs te overhandigen aan de verkoper of een van onze servicecentra. U kunt het adres van het dichtstbijzijnde servicecentrum opvragen via de adressen op de achterzijde van deze handleiding. U kunt ook een lijst van onze servicecentra en meer informatie m.b.t. onze klantenservice vinden op het volgende Internet-adres: **www.2helpU.com**.

Andere machines voor gebruik in de tuin

Black & Decker heeft een compleet assortiment machines die het leven in de tuin vereenvoudigen.

Als u meer informatie over de volgende producten wenst, neemt u dan contact op met ons Service- en Informatiecentrum (zie de adrespagina aan het eind van deze handleiding) of uw plaatselijke Black & Decker dealer.

Strimmers
Kettingzagen
Heggenscharen
Grasmaaiers
Verticuteerders
Bladruimers
Hakselaars

Niet ieder product is verkrijgbaar in alle landen.



EG-verklaring van overeenstemming

GFC1234/GFC1238/GFC2438

Black & Decker verklaart dat deze elektrische machines in overeenstemming zijn met:

98/37/EEG, 89/336/EEG, 73/23/EEG,
EN 55014, EN 60335, EN 61000,

2000/14/EEG, grasmaaier, L ≤ 50 cm,
Annex VIII, No. 0086

B.S.I., HP2 4SQ, United Kingdom

Niveau van de geluidsdruk, gemeten volgens
2000/14/EEG:

L_{DA}	(geluidsdruk)	dB(A)	79
L_{WA}	(geluidsvermogen)	dB(A)	93
L_{WA}	(gegarandeerd)	dB(A)	96

Gewogen kwadratische gemiddelde waarde van
de versnelling overeenkomstig EN 50144:

Brian Cooke

Director of Engineering
Spennymoor, County Durham DL16 6JG,
United Kingdom
1-12-2001



Cortacéspedes rotativo sin cable

Manual de instrucciones

¡Felicitaciones!

Por haber adquirido este cortacéspedes Black & Decker sin cable.

Este manual del usuario contiene instrucciones esenciales de operación y mantenimiento para todos los cortacéspedes de la línea Black & Decker sin cable.

Conozca su máquina



Estudie cuidadosamente todo este manual, y, antes, durante y después de usar la máquina, cumpla todas las normas de seguridad que se recomiendan. Siempre mantenga la máquina en buenas condiciones de funcionamiento.

Familiarícese con todos los mandos de la máquina antes de intentar usarla, pero, sobre todo, asegúrese de que sabe cómo pararla en una situación de emergencia.

Guarde para futura consulta este manual y los otros documentos que vienen con la máquina.



- Procure que su máquina esté siempre en perfecto estado de funcionamiento.
- Antes de usar el cortacéspedes, quite la llave de seguridad y observe la cuchilla, la tuerca y el conjunto para comprobar si están desgastados o presentan alguna anomalía. Las cuchillas en mal estado o las tuercas desgastadas representan un riesgo significativo, y deben ser sustituidas. Compruebe además si la tuerca de la cuchilla está bien apretada.
- Siempre verifique que el césped o la pista por donde se desea pasar la máquina esté libre de trozos de madera, piedras, alambre y otros desechos. Puede ser peligroso el contacto con materiales de esta naturaleza o pueden dañar la máquina, y la cuchilla puede disparar con fuerza estos materiales.
- Revise el recogedor con frecuencia para comprobar que no esté ni desgastado ni dañado.

Normas de seguridad

Formación

- No permita que esta máquina sea usada por niños o personas que no estén familiarizadas con ella ni personas que no hayan leído este manual.



No deje que se acerquen los niños, ni otras personas o animales a su máquina mientras la usa. Procure que estén siempre a más de 6 metros de la zona de corte.

- Recuerde que el operario o usuario es el responsable de los accidentes o riesgos que pueda causar la máquina a personas o cosas.

Preparación

- Para protegerse los pies, lleve siempre botas o zapatos fuertes. El césped recién cortado es húmedo y resbaladizo.
- No use la máquina en ambientes donde haya gases explosivos.
- No corte el césped con sandalias o descalzo.
- Lleve pantalones largos para protegerse las piernas. Cualquier residuo que haya en el césped puede salir despedido por las cuchillas.

Funcionamiento

- Al inclinar el asidero hacia abajo (o hacia el lado) para poner el cortacéspedes en marcha, no lo incline más de lo realmente imprescindible. Antes de volver a colocar el cortacéspedes sobre el suelo, siempre cuide de tener ambas manos en posición de operación y de no acercar los pies a las cuchillas. Al comenzar a cortar, conduzca la máquina con ambas manos.
- Evite la puesta en marcha accidental. Cuando vaya a meter la llave de seguridad, compruebe antes si la máquina está desconectada.



La máquina seguirá funcionando durante un breve tiempo después de soltar la palanca de conmutación. Siempre deje que la máquina se detenga sola.

- Suelte la palanca para desconectar el cortacéspedes y quite la llave de seguridad siempre que:
 - Deje la máquina desatendida.
 - Vaya a revisar, limpiar o ajustar el cortacéspedes.
 - Vaya a quitar algún estorbo.
 - El cortacéspedes empiece a vibrar anormalmente (réviselo inmediatamente).



- El cortacésped choque con algún objeto extraño. Compruebe si se ha producido algún daño y haga las reparaciones necesarias.
- No ponga en marcha el cortacésped si está de lado ni intente parar la cuchilla. Deje siempre que se pare sola.
- No ponga las manos ni los pies cerca de las partes giratorias, ni debajo de las mismas.
- Manténgase siempre alejado de los orificios de salida.
- Siempre que sea posible, evite usar la máquina bajo la lluvia en césped húmedo.
- Use la máquina sólo de día o con buena luz artificial.
- No tire del cortacésped hacia usted ni lo use andando hacia atrás.
- No cruce sendas ni caminos de gravilla mientras gira la cuchilla.
- Mire bien donde pisa, sobre todo en las pendientes.
- Corte el césped a lo largo de una pendiente, no de arriba a abajo. Al cambiar de dirección en una pendiente, ponga la máxima atención.
- No corte el césped en pendientes pronunciadas y lleve siempre calzado antideslizante.
- Revise con frecuencia si está rota o desgastada la bolsa de los residuos y cámbiela si fuera necesario.
- Trabaje andando, no corriendo. No fuerce el cortacésped.
- No levante ni arrastre el cortacésped si el motor está funcionando.
- Antes de Inclinarse el cortacésped para transportarlo desde la zona de corte, asegúrese de que las cuchillas estén paradas.
- Cuando transporte el cortacésped, quite siempre la llave de seguridad, ajuste la altura de corte a la posición intermedia y llévelo con el máximo cuidado.
- No use el cortacésped si observa anomalías en los protectores o carcasas.
- Para evitar que el cortacésped se ponga en marcha por accidente o sin autorización, con la máquina se ha suministrado una llave de seguridad extraíble. Después de sacar esta llave de seguridad del cortacésped, éste quedará completamente inmovilizado. Antes de efectuar trabajos de limpieza o mantenimiento y especialmente antes de



cambiar la cuchilla, no olvide de sacar, cada vez, la llave.

- Si por algún motivo el electrolito de la batería le cayera al cuerpo, lávese inmediatamente con agua, y si le ha caído a los ojos solicite atención médica.

Mantenimiento y almacenaje

- Guarde su máquina cuando no la use en un lugar seco y fuera del alcance de los niños. Quite la llave de seguridad.
- Para limpiar la máquina no use disolventes ni líquidos limpiadores. Quite la hierba y la suciedad con una espátula poco afilada. Antes de limpiarlo, quite siempre la llave de seguridad.
- No recargue ni guarde el cortacésped al aire libre.
- No use su máquina si alguna pieza está defectuosa. Quite todas las piezas defectuosas y ponga otras nuevas antes de usarla.
- Por su seguridad, cambie las piezas gastadas o defectuosas.
- Para que su cortacésped funcione con seguridad, repase si están bien apretados todos los tornillos, pernos y tuercas.
- Use sólo recambios y accesorios originales Black & Decker.

La política de Black & Decker consiste en mejorar continuamente sus productos, y por tanto se reserva el derecho de cambiar, sin previo aviso, las especificaciones de sus productos.

Características (Fig. A)

A Al comprar su cortacésped Black & Decker, ha adquirido usted un producto que combina la calidad con un moderno diseño y con las siguientes características, que le proporcionarán un trabajo fácil, seguro y eficaz:

- Sin cable - así no tendrá que usar alargaderas cuando corte el césped.
- Sin combustible - no tendrá que comprar, mezclar, guardar ni transportar gasolina ni aceite.
- Limpio - no produce emisiones, es decir, no contamina el medio ambiente.
- Bateras recargables: proveen energía confiable.
- Fácil de arrancar - arranca siempre a la primera.
- Caja de interruptores de diseño especial y llave de seguridad para impedir la puesta en marcha accidental.



ESPAÑOL

- Empuñadura inclinada hacia arriba y diseño ergonómico, que facilita el uso y movimiento de la máquina.
- Freno de la cuchilla para mayor seguridad. Una vez que se haya soltado la palanca de la caja de interruptores, detiene la cuchilla giratoria en menos de 3 segundos.
- Grandes tuercas de orejas que facilitan el montaje y almacenamiento del asidero.
- 14 posiciones de altura de corte para facilitar la flexibilidad necesaria ante la mayoría de los diversos estados de la hierba.
- Para óptima maniobrabilidad, este cortacéspedes tiene ruedas que giran en 360°, lo cual permite hacer cortes hasta en la misma orilla del césped, y además puede hacer el corte alrededor de obstáculos.
- Las ruedas traseras se pueden trabar para permitir un corte de precisión en línea recta.
- Recogedor fácil de sacar.
- Carcasa de plástico, resistente y duradera. No se oxida y absorbe los ruidos y vibraciones.
- Motor permanente de imanes, potente y eficiente, que permite cortar y recoger en cualquier condición atmosférica normal y tiene un bajo nivel de ruido.

Montaje de la empuñadura

- Colocar el cortacésped, junto con sus ruedas, sobre una superficie firme y regular.
- B1**
- Inserte las barras de la empuñadura en las aberturas tal y como se muestra en la fig. B1, de forma que la curva las ensanche en la parte superior.
 - Fije cada barra por medio del perno y la arandela conformada en la forma que se muestra. Apriete firmemente los pernos con la llave que se suministra.
- B2**
- Coloque la barra del mango superior en forma de U sobre la barra tal y como se muestra.
- B3**
- Fije la barra del mango superior por medio de los pernos, las arandelas y las tuercas de aleta tal y como se indica.
 - Fije los cables a la empuñadura utilizando los clips de cable suministrados.



No utilice ninguna herramienta para apretar las tuercas de aleta.

Contenido de la caja

La caja contiene:

- 1 Cuerpo del cortacésped
- 1 Empuñadura (3 piezas)
- 1 Recogedor de césped (2 piezas)
- 1 Llave/rascador
- 1 Destornillador
- 1 Batería
- 1 Tapa de batería
- 1 Cargador
- 1 Llave de seguridad
- 1 Fusible de recambio
- 2 Tuercas de aleta
- 2 Arandelas
- 2 Arandelas conformadas
- 2 Pernos de la empuñadura superior
- 2 Pernos de la empuñadura inferior
- 5 Tornillos del recogedor de césped
- 2 Clips de cable
- 1 Manual de instrucciones
 - Desembale con cuidado todas las piezas.

Modo de armar el recogedor (Fig. C)

El recogedor viene en dos partes. Para armarlas, proceda de la siguiente manera:

- C1**
- Alinee las dos mitades del recogedor de césped tal y como se muestra.
 - Una ambas mitades por medio de los 5 tornillos, empleando el destornillador suministrado.

Modo de instalar el recogedor en el cortacéspedes:

- C2**
- Se levanta la tapa posterior con muelle y se coloca la parte superior del recogedor encima del soporte.
 - Ahora se puede soltar la tapa posterior para trabar el recogedor en su posición.

Modo de sacar el recogedor del cortacéspedes:


Cuando está lleno el recogedor, se puede sacar levantando la cubierta, sacando el recogedor de su soporte y dejándolo sobre el césped. Se puede bajar la cubierta suavemente para dejar las dos manos libres para levantar el recogedor repleto de hierba.



- C3** **Instalación de la caja protectora de la batería**
- Instale la caja protectora de la batería que viene con la máquina, introduciendo el gozne no. 1 en el conjunto principal del cortacésped, y luego presionando el gozne no. 2 hasta que entre en su posición.

- C4** **Modo de instalar la correa de la batería**
- Identifique la batería y la correa.
 - Instale la correa en la batería de la manera señalada.
 - Hay que tener la batería en la correa en todo momento.

Información sobre la batería

- La batería de su cortacésped sin cable es hermética y de ácido. Es del tipo de electrolito empapado, por lo que se puede guardar en cualquier posición sin que se produzcan fugas.
-  **La batería viene recargada de fábrica, pero hace falta recargarla por un mínimo de 30 horas cada vez antes de usarla para asegurar de que tiene una carga completa.**
- Para óptimo rendimiento, deberá cargar la batería cada vez que termine de usar el cortacésped.
- **Cuando guarde la máquina durante el invierno, procure:**
 - Cargarla del todo antes de guardarla.
 - Que la temperatura del lugar donde la guarde no baje de 25°C.
 - No tenerla inactiva más de 6 meses.
- Guarde siempre el cortacésped en un lugar fresco y seco.
- Guarde el cortacésped y la batería alejados del agua, fuentes de calor (como radiadores, estufas, etc.), llamas o productos químicos.

Instrucciones de carga



- Cargue siempre el cortacésped en el interior y en una zona bien ventilada, seca y protegida de la intemperie.
- Procure cargar el cortacésped a temperatura ambiente entre 5 y 40°C.



¡Precaución! No trate de recargar baterías no recargables.

Para cargar la batería

- Se puede cargar la batería del cortacésped estando ésta instalada en la máquina, o, también, si no se

dispone de un enchufe de la red en ese lugar, se puede cargar aparte.

Modo de cargar la batería cuando está instalada en el cortacésped

- Saque la llave de seguridad y guárdela en un lugar seguro fuera del alcance de los niños.
- Saque la tapa de la batería deslizando el fiador, y abriendo hacia arriba.
- Desconecte el cable de la batería (de color rojo y negro) sacándolo del enchufe en el costado del alojamiento de la batería.
- A continuación se ha de conectar el enchufe rojo y negro del cargador con el enchufe rojo y negro de la batería.

Nota: El enchufe del cargador se puede introducir de una sola manera.

- Conecte el cargador con el enchufe de la red y póngalo en marcha.
- La luz roja de aviso del cargador se iluminará. Esto señala que se está recargando la batería.

Cargador con dos luces

- Una vez que se ha recargado la batería, lo cual normalmente tarda de 24 a 30 horas, se apaga la luz roja y se ilumina la luz verde.
- Se puede dejar la batería recargando hasta llegar el momento de usarla, sin que esto revista ningún peligro.

Al terminar la recarga

- Desconecte el cargador de la batería y conecte la batería con el enchufe que se encuentra en el cortacésped.
- Ya el cortacésped está listo para ser usado.

Modo de recargar la batería separadamente del cortacésped

- Saque la llave de seguridad y la tapa de la batería tal como se señala más arriba y desconecte la batería.
- Saque la batería del cortacésped usando el asa.
- Recárguela de la manera señalada más arriba.
- Después de recargar, vuelva a colocarla en el cortacésped y conéctela al enchufe del mismo.





ESPAÑOL

Para tirar la batería

Cuando tenga que cambiar la batería, descárguela primero del todo haciendo funcionar el cortacésped hasta que se pare el motor. Quite la batería.



¡Precaución! Es posible que la batería conserve carga incluso después de que se pare el motor. Por tanto, es preciso evitar los cortocircuitos que se producen si se conectaran los dos terminales mediante herramientas no aisladas o materiales conductores como, entre otros, virutas de acero o papel de aluminio.

Es importante desechar las baterías de modo responsable.



Este símbolo indica que la batería del cortacésped es de plomo, por lo que tiene que desecharse de modo apropiado, y no se puede tirar a la basura, pues podría acabar en un incinerador o vertedero.



Las baterías de plomo pueden contaminar el medio ambiente y además explotan si se las arroja al fuego. **No las queme.**

Lleve la batería desechada a un centro de servicio Black & Decker a su detallista local, o a un centro de reciclado del Ayuntamiento. Si es preciso, llame por teléfono al Ayuntamiento para que le den instrucciones sobre la manera de desecharla.

Si observa que su cortacésped no corta bien, consulte la sección "Localización de averías".



¡Precaución! Al instalar una batería nueva, es muy importante conectar el cable rojo con el terminal rojo y el cable negro con el terminal negro.

Cómo usar su cortacésped (Fig. E)

Importante! Siempre use esta máquina, siga todas las normas de seguridad.



¡Precaución! No use el cortacésped con una sola mano. Llévelo con las dos manos en el asidero.



Llave de seguridad

- Para evitar la puesta en marcha accidental o el uso no autorizado del cortacésped sin cable, lleva una llave de seguridad. Sin la llave, el cortacésped no funciona.
- Siempre utilice el recogedor que viene con la máquina.



¡Precaución! Siempre que deje el cortacésped solo, aunque sea por poco tiempo, quite la llave de seguridad.

- La llave de seguridad se encuentra en el paquete de piezas (junto con un fusible de repuesto).

Puesta en marcha

- Meta la llave de seguridad y empújela hasta el fondo.
- Para evitar cortes irregulares en el césped, ponga en marcha la máquina apretando el botón de seguridad de la caja de interruptores y tire al mismo tiempo de la palanca hacia usted, inclinando el manillar hacia atrás hasta levantar ligeramente la parte delantera del cortacésped. El cortacésped se pondrá en marcha y ahora se puede soltar el botón de bloqueo. Baje el cortacésped a la posición de corte correspondiente, y comience a cortar utilizando ambas manos para guiarlo.
- Para parar el cortacésped, simplemente suelte la palanca. Un muelle la hace volver a su posición inicial, en la caja de interruptores.

Nota: Para máxima maniobrabilidad, este cortacésped tiene ruedas que giran en 360°. Para permitir cortar con precisión en línea recta, se puede trabar las ruedas traseras en posición, de la siguiente manera:

E2

- Empuje el cortacésped hacia delante hasta que las cuatro ruedas giren hacia la parte posterior de la máquina.

E3

- Tire de la palanca que se encuentra al lado izquierdo del cortacésped hasta que se bloqueen las ruedas.

E4

- Para quitar la traba de las ruedas, empuje hacia delante el botón para aflojarlas.

E5

- Si la palanca se acoplara completamente en el trinquete, pero las ruedas traseras no se traban en su lugar, suelte la palanca, destornille el ajuste del cable dándole una vuelta, y vuelva a acoplar la palanca y el trinquete. Haga lo mismo hasta que las ruedas se traben completamente en su posición.

El cortacésped seguirá funcionando en tanto Ud tire del interruptor de palanca. Para detener la máquina, suelte la palanca.

Cuando termine de usar el cortacésped, le recomendamos que lo limpie bien antes de guardarlo.



Antes de limpiarlo, es importante quitar la llave de seguridad. Lea la sección de “Cuidados y mantenimiento”.

Nota: Para conseguir los mejores resultados, corte el césped periódicamente y cuando esté bien seco.

En caso que, al cortar el césped, se nota que se esparce hierba cortada debajo del cortacéspedes, probablemente significa que el recogedor está lleno, y que debe ser vaciado.

Le recomendamos que afile la cuchilla o la cambie por una nueva al empezar cada temporada. Podrá conseguir cuchillas de recambio en los distribuidores y centros de servicio Black & Decker.



¡Precaución! Cuando monte una cuchilla nueva, use sólo cuchillas originales Black & Decker del modelo especificado para su máquina. No intente nunca montar otro tipo de cuchilla.

Maniobrabilidad (Fig. D)

Las ruedas de este cortacéspedes pueden girar completamente, y por esta razón puede desplazarse alrededor de árboles, postes y otros objetos. También permite cortar con precisión alrededor de adornos que tengan curvas, tales como arriates.

Para óptima maniobrabilidad, suelte el mecanismo de traba trasero empujando hacia delante el botón para aflojar.



Al maniobrar su cortacéspedes, siempre use el sujetador de cables y cuide de que éste no se aproxime al área de corte.

Para montar una nueva cuchilla (Fig. G)



Antes de cambiar la cuchilla, observe todas las normas de seguridad.

¡Precaución! Antes de cambiar la cuchilla, quite la llave de seguridad.

G

- Tumbes su cortacésped hacia un lado, de forma que quede expuesta el protector inferior de la cuchilla.
- Para proteger las manos, ponga un trapo encima de la cuchilla o use guantes, sostenga la cuchilla, y con una llave afloje y retire la tuerca del eje del motor. Para aflojar la tuerca, hágala girar hacia la izquierda.
- Ahora se puede instalar la cuchilla nueva y volver a poner la arandela y la tuerca.

Nota: Algunos modelos llevan arandela de encaje entre la tuerca de la cuchilla y la cuchilla; no olvide volver a montarla.

Ajuste de altura de corte (Fig. F)



¡Precaución! Antes de efectuar cualquier ajuste, desconecte el cortacéspedes del suministro de electricidad y espere hasta que la cuchilla deje de girar: las cuchillas son afiladas.

F1

- Tire de la palanca hacia afuera y sujétela firmemente.
- Empleando la palanca, gire el mando hasta ajustar la altura deseada de corte.
- Tire hacia atrás de la palanca para bloquear el mando.

F2

- Para producir un efecto de rayas en el césped, primero ponga en posición el dispositivo para hacer Rayas y sujételo con los 2 tornillos que vienen con la máquina. Luego ajuste la altura de corte en una posición baja (Reino Unido solamente).

Nota: Para céspedes largos o de crecimiento poco uniforme, (especialmente en el primer corte de la temporada), use primero una posición alta de corte y después pase el cortacéspedes de nuevo para cortar según la altura requerida.

Protección contra sobrecarga (Fig. H)

- Su máquina está dotada de protección contra sobrecarga. Si corre mucho al cortar césped largo o si el césped está muy duro, se sobrecarga el motor. Si esto sucediera, se fundirá el fusible de la llave de seguridad, haciendo que se detenga la máquina.
- Esto no es un fallo, sino un mecanismo de protección del motor.
- Cuando esto sucede, saque la llave de seguridad y revise el elemento del fusible. Si éste se ha roto, significa que se ha quemado el fusible y debe ser cambiado por uno nuevo: viene uno nuevo en el paquete de repuestos. De otro modo, puede adquirir una llave nueva en cualquier centro de servicio Black & Decker.

H

Para conseguir los mejores resultados:

- Corte el césped periódicamente.
- No lo corte cuando esté húmedo.



ESPAÑOL

- Si tiene más de 10cm de largo, es preferible cortarlo primero a mayor altura y hacer luego otra pasada a menor altura.

Cuidados y mantenimiento

En esta sección se trata de los cuidados y mantenimiento de la parte principal del cortacésped en general. En cuanto a las cuchillas, vea la sección "Mantenimiento de las cuchillas". En cuanto a las baterías, vea la sección "Información sobre la batería".

- Mantenga el cortacésped siempre limpio y sin residuos de hierba, sobre todo la parte inferior de las cuchillas y las ranuras de ventilación.
- Al final de cada sesión, le recomendamos que quite la hierba de la parte inferior de la máquina con una espátula poco afilada. También podrá usar para ello la llave inglesa que se suministra.
- Limpie las partes de plástico con un paño húmedo.
- **¡Atención!** No use disolventes ni líquidos limpiadores, que pueden estropear las partes de plástico de su máquina.

Consejos para un uso óptimo

- Al cortar césped alto, coloque el cortacésped en su altura máxima de corte.
- Antes de usarle por primera vez, cargue a tope la batería.
- Tras utilizar el cortacésped, proceda a cargar la batería.
- Antes de guardarla, cargue la batería a su máximo nivel.
- No guarde el cortacésped o la batería en entornos de temperaturas extremas.
- Si se guarda la batería durante un periodo de tiempo prolongado, cárguela a intervalos regulares.
- Tenga en cuenta que tras un periodo prolongado de almacenamiento, la batería alcanzará su capacidad total únicamente después de varios ciclos de descarga/carga.

Localización de averías

Si el cortacésped no funciona bien, trate de localizar la avería con esta tabla.

Problema	Solución
El cortacésped no se pone en marcha al tirar de la palanca.	(a) Compruebe si está bien puesta la llave de seguridad. (b) Quite la llave de seguridad, ponga la máquina de lado y compruebe si la cuchilla gira bien. (c) ¿Está bien cargada la batería?

- (d) Compruebe que no se haya quemado el fusible.

El cortacésped está funcionando y se para. (a) Quite la llave de seguridad, ponga la máquina de lado y compruebe si la cuchilla gira bien.
(b) Ponga una mayor altura de corte y póngalo en marcha.
(c) ¿Está bien cargada la batería?
(d) Revise la conexión del fusible de seguridad. Si ésta se ha roto, significa que se ha fundido la llave de seguridad y es necesario cambiarla.

El cortacésped funciona pero al cortar su rendimiento es malo. (a) ¿Está bien cargada la batería?
(b) Quizá tenga que cambiar la batería. Consulte la sección "Para tirar la batería".

Cuesta mucho trabajo empujarlo. (a) Ponga una mayor altura de corte para que se reduzca la resistencia de la hierba. Compruebe si giran bien las cuatro ruedas.

Ruidos y vibraciones anormales. (a) Quite la llave de seguridad. Ponga la máquina de lado y revise la cuchilla. Si tiene alguna anomalía, cámbiela por otra cuchilla Black & Decker.
(b) Si no observa ninguna anomalía de la cuchilla ni de la parte inferior del cortacésped, lleve la máquina a un centro de servicio Black & Decker o distribuidor autorizado.

¡Precaución! Antes de hacer cualquier inspección, quite siempre la llave de seguridad.

Protección del medio ambiente

Herramientas



Black & Decker proporciona facilidades para el reciclado de los productos Black & Decker que hayan llegado al final de su vida útil. Este servicio se proporciona de forma gratuita. Para poderlo utilizar, le rogamos entregue el producto en cualquier servicio técnico autorizado quien se hará cargo del mismo en nuestro nombre.

Baterías



Las baterías Black & Decker pueden recargarse muchas veces. Al final de su vida útil, deseche las baterías con el debido cuidado con el entorno:



- Descargue totalmente la batería, luego retírela de la herramienta.
- Las baterías son reciclables. Entregue las baterías al servicio postventa Black & Decker o depositelas en un punto local de reciclado.

Pueden consultar la dirección de su servicio técnico más cercano poniéndose en contacto con la oficina local de Black & Decker en la dirección que se indica en este manual. Como alternativa, se puede consultar en Internet, en la dirección siguiente, la lista de servicios técnico autorizados e información completa de nuestros servicios de postventa y contactos: **www.2helpU.com**.

Garantía

Black & Decker confía plenamente en la calidad de sus productos y ofrece una garantía extraordinaria. Esta declaración de garantía es una añadido a, y en ningún caso un perjuicio para, sus derechos estatutarios. La garantía es válida dentro de los territorios de los Estados Miembros de la Unión Europea y de los de la Zona Europea de Libre Comercio.

Si un producto Black & Decker resultara defectuoso debido a materiales o mano de obra defectuosos o a la falta de conformidad, Black & Decker garantiza, dentro de los 24 meses de la fecha de compra, la sustitución de las piezas defectuosas, la reparación de los productos sujetos a un desgaste y rotura razonables o la sustitución de tales productos para garantizar al cliente el mínimo de inconvenientes, a menos que:

- El producto haya sido utilizado con propósitos comerciales, profesionales o de alquiler;
- El producto haya sido sometido a un uso inadecuado o negligente;
- El producto haya sufrido daños causados por objetos o sustancias extrañas o accidentes;
- Se hayan realizado reparaciones por parte de personas que no sean los servicios de reparación autorizados o personal de servicios de Black & Decker;

Para reclamar en garantía, será necesario que presente la prueba de compra al vendedor o al servicio técnico de reparaciones autorizado. Pueden consultar la dirección de su servicio técnico más cercano poniéndose en contacto con la oficina local de Black & Decker en la dirección que se indica en este manual. Como alternativa, se puede consultar en Internet, en la dirección siguiente, la lista de servicios técnico autorizados e información completa de nuestros servicios de postventa y contactos: **www.2helpU.com**.

Otras herramientas de jardinería

Black & Decker cuenta con una amplia gama de herramientas de jardinería para hacerle la vida en el jardín más fácil. Si desea más información sobre los siguientes productos, no dude en ponerse en contacto con nuestro Centro de Servicio e Información (consulte la página de direcciones al final de este manual) o diríjase a su concesionario local de Black & Decker.

Motosierras
Recortabordes
Recortasetos
Cortacésped
Escarificadores
Aspiradores-sopladores

Todos los productos no se encuentran disponibles en todos los países.

Declaración CE de conformidad

GFC1234/GFC1238/GFC2438

Black & Decker certifica que estas herramientas eléctricas han sido construidas de acuerdo a las normas siguientes:

98/37/CEE, 89/336/CEE, 73/23/CEE,
EN 55014, EN 60335, EN 61000,

2000/14/CEE, cortacésped, $L \leq 50$ cm, Annex VIII,
No. 0086

B.S.I., HP2 4SQ, Reino Unido

El nivel de la presión acústica, medida de acuerdo con 2000/14/CEE:

L_{pA}	(presión acústica)	dB(A)	79
L_{WA}	(potencia acústica)	dB(A)	93
L_{WA}	(garantizado)	dB(A)	96

Valor cuadrático medio ponderado en frecuencia de la aceleración según EN 50144:

Brian Cooke

Director de Ingeniería
Spennymoor, County Durham DL16 6JG,
United Kingdom
1-12-2001



Corta-relva rotativo sem fio

Manual de instruções

Parabéns!

Por ter adquirido o corta-relva sem fio da Black & Decker.

Este manual do utilizador contém instruções de operação e de manutenção importantes relativamente a todos os corta-relvas da gama sem fio 4x4 da Black & Decker.

A máquina



Leia este manual com atenção. Cumpra todas as instruções de segurança recomendadas antes, durante e depois da utilização da máquina, mantendo-a em boas condições de funcionamento.

Familiarize-se com os comandos da máquina antes de tentar utilizá-la, mas acima de tudo, certifique-se de que consegue pará-la em caso de emergência.

Conserve este manual e quaisquer outras instruções fornecidas juntamente com a máquina, em caso de necessidade futura.



pernas. Todos os restos deixados na relva ou nos caminhos de corte podem ser apanhados e ejectados pelas lâminas.

- Tenha sempre a certeza de que o seu aparelho está em perfeitas condições para trabalhar em segurança.
- Antes de usar o corta-relva, retire a chave de segurança e observe se a lâmina e as partes rotativas se encontram avariadas. Lâminas danificadas e parafusos gastos devem ser substituídos. Verifique também se a porca da lâmina está bem apertada.
- Verifique sempre se a relva ou o caminho onde vai ser efectuado o varrimento não têm detritos, paus, pedras ou arames. Se a máquina entrar em contacto com este tipo de detritos poderá danificar-se ou poderá projectá-los, causando ferimentos graves.
- Verifique o estado da caixa de aparas com alguma frequência.

Operação

- Quando pressionar a pega para a frente (ou para o lado), de modo a ligar a máquina, não a force demasiado. Certifique-se de que coloca as duas mãos na posição correcta e de que os pés se encontram bem longe das lâminas antes de voltar a ligar o corta-relva e inicie a operação de corte, utilizando as duas mãos para orientar a máquina.
- Evite ligar a máquina acidentalmente. Certifique-se de que o interruptor está desligado quando for colocar a chave de segurança.



A máquina continuará a trabalhar durante algum tempo, mesmo depois de soltar o interruptor, deixe que a máquina pare sozinha.

- Largue o manípulo para que o corta-relvas se desligue e retire a chave de segurança quando:
 - Deixar o seu aparelho abandonado.
 - Antes de inspeccionar, limpar ou trabalhar com o seu corta-relvas.
 - Antes de ir deslocar qualquer obstáculo/barreira.
 - O corta-relvas começar a vibrar de um modo anormal/irregular (inspeccione imediatamente).

Instruções de segurança

Formação

- Nunca deixe mexer no aparelho as crianças ou pessoas que não estão familiarizadas com o mesmo, nem ninguém que não tenha lido o manual.



Quando o aparelho estiver em funcionamento, não permita que crianças, animais ou outras pessoas estejam junto do mesmo - deverá mantê-los afastados da área de trabalho a uma distância de pelo menos 6 metros.

- Lembre-se de que o utilizador é responsável pelos acidentes que possam ocorrer à sua propriedade ou a outras pessoas.

Preparação

- Para proteger os seus pés, deverá calçar sapatos ou botas resistentes - a relva acabada de cortar fica escorregadia e húmida.
- Use uma máscara protectora contra poeira.
- Não corte a relva onde a atmosfera contém gases explosivos.
- Não corte a relva descalço ou com sapatos abertos (ex: sandálias).
- Use calças compridas para proteger as



- Bater num objecto. Veja se existem quaisquer danos e faça as devidas reparações se necessário.
- Nunca utilize o corta-relvas na sua direcção, nem tente parar a lâmina - Deixe-a sempre parar por si própria.
- Nunca coloque as mãos ou pés perto ou sob as partes rotativas.
- Mantenha sempre desobstruídas as aberturas de descarga.
- Evite utilizar a máquina à chuva, e se possível cortar relva molhada.
- Utilize o aparelho somente à luz do dia ou com uma boa luz artificial.
- Não ande para trás quando trabalhar com a máquina, e nunca corte a relva puxando a unidade na sua direcção.
- Não passe por caminhos de gravilha ou por estradas, enquanto a lâmina estiver em rotação.
- Certifique-se sempre de que se encontra numa posição segura, sobretudo em locais inclinados.
- Quando cortar relva em locais inclinados, nunca o faça em sentido vertical, mas sim no sentido horizontal, e tenha muito cuidado quando mudar de direcção.
- Não trabalhe em locais excessivamente inclinados. Use calçado anti-derrapante.
- Inspeccione frequentemente o seu saco de aparas, pois pode apresentar desgaste ou danos. Substitua-o se necessário.
- Ande, nunca corra. Nunca force o corta-relvas.
- Nunca levante ou transporte o corta-relvas enquanto o motor estiver a trabalhar.
- Assegure-se de que as lâminas param completamente a sua rotação quando quiser transportar o corta-relvas.
- Quando transportar o seu aparelho retire a chave de segurança, ajuste a altura de corte para uma posição média e tenha muito cuidado quando a levantar.
- Nunca utilize o seu aparelho com protecções ou resguardos defeituosos.
- Afim de evitar o arranque acidental ou desautorizado do seu corta-relvas, este é fornecido com uma chave de segurança removível. O corta-relvas ficará completamente desactivado quando esta chave de segurança for retirada da máquina. Retire sempre a chave antes de limpar ou fazer a manutenção da máquina e, muito especialmente, quando mudar a lâmina.



- Se por qualquer razão entrar em contacto com o electrólito da bateria, lave imediatamente a zona afectada com água e procure ajuda médica se o líquido atingir os olhos.

Manutenção e armazenagem

- Quando não utilizar o seu aparelho, guarde-o num local seco e fora do alcance das crianças, e retire a chave de segurança.
- Não utilize diluentes nem líquidos de limpeza - utilize uma espátula para remover ervas e sujidade. Retire sempre a chave de segurança antes de proceder à limpeza.
- Nunca carregue ou armazene o seu corta-relvas no exterior.
- Não utilize o seu corta-relvas se existir alguma peça defeituosa; Deite fora todas as peças defeituosas e substitua-as por peças novas antes de utilizar o seu aparelho.
- Para sua segurança, substitua as peças com desgaste ou danificadas.
- Mantenha sempre as porcas e os parafusos bem apertados para que o seu corta-relvas trabalhe de uma forma segura.
- Use apenas peças e acessórios recomendados pela Black & Decker.

A política da Black & Decker tem como objectivo o melhoramento contínuo dos seus produtos e, para tal, reserva-se o direito de alterar as especificações dos seus produtos sem aviso prévio.

Características (Fig. A)

A A compra de um corta-relvas da Black & Decker dá-lhe um produto com uma excelente relação qualidade/design moderno e as seguintes características para lhe proporcionar uma utilização de corte segura, eficiente e fácil.

- Sem fio - não necessita de cabos enquanto corta.
- Sem gases de combustão - não necessita de comprar, misturar, armazenar ou transportar petróleo ou óleo.
- Limpo - o corta-relvas não polui o ambiente. Não provoca gases.
- Baterias recarregáveis - fornece uma potência fiável.
- É fácil de arrancar - arranca sempre à primeira vez.



PORTUGUÊS

- Caixa de interruptor e chave de segurança especialmente concebidas para evitar arranques acidentais do seu corta-relvas.
- Pega desenhada ergonomicamente para lhe oferecer uma utilização confortável e fácil de manobrar.
- Travão da lâmina, para uma maior segurança que interrompe a rotação da lâmina 3 segundos após a alavanca de ligação ter sido libertada.
- Porcas de orelhas de grandes dimensões para fácil montagem e desmontagem.
- 14 posições para altura de corte, permitindo efectuar a operação de corte numa maioria dos tipos de relvado.
- As rodas do aparador possuem um curso de 360°, facilitando as manobras da máquina e permitindo efectuar a operação de corte mesmo até à extremidade do relvado ou em redor de obstáculos.
- As rodas traseiras poderão ser bloqueadas, de modo a permitir uma operação de corte em linha recta.
- A caixa de aparas é facilmente amovível.
- Plástico robusto e durável que não cria ferrugem e contribui para diminuir o ruído e a vibração.
- Dispõe de um motor de electromagneto permanente que proporciona um corte e uma recolha eficazes quando utilizado em condições normais de funcionamento e com um baixo nível de ruído.

Conteúdo da caixa

A caixa contém:

- 1 Corpo do corta-relva
- 1 Cabo (3 peças)
- 1 Caixa de aparas (2 peças)
- 1 Chave
- 1 Chave de fenda
- 1 Bateria
- 1 Tampa da bateria
- 1 Carregador
- 1 Chave de segurança
- 1 Fusível de reposição
- 2 Borboletas
- 2 Anilhas
- 2 Anilhas perfiladas
- 2 Pernos para o cabo superior
- 2 Pernos para o cabo inferior

- 5 Parafusos para a caixa de aparas
- 2 Presilhas para o cabo
- 1 Manual de instruções
 - Retire todas as peças da embalagem, com cuidado.

Montagem do cabo

- Coloque o corta-relva com as rodas numa superfície firme e nivelada.
- B1**
- Insira as barras do cabo nas aberturas conforme o indicado na fig. B1 de maneira que a curva as torne mais abertas na parte superior.
 - Fixe cada uma das barras com um perno e com uma anilha perfilada conforme o mostrado. Fixe bem o perno utilizando a chave fornecida.
- B2**
- Coloque a barra superior do cabo em forma de U nas barras conforme o indicado.
- B3**
- Prenda a barra do cabo superior com os pernos, anilhas e borboletas, conforme o indicado.
 - Fixe os cabos no cabo de manuseio utilizando as presilhas fornecidas.



Não utilize ferramentas para apertar as borboletas.

Montagem da caixa de aparas (Fig. C)

A caixa de aparas é fornecida dividida em duas partes. Para efectuar a sua montagem deverá proceder da seguinte forma:

- C1**
- Alinhe as duas metades da caixa de aparas, conforme o mostrado.
 - Para encaixá-las utilize os cinco parafusos e a chave de fenda fornecida.

Montagem da caixa de aparas no corta-relvas:

- C2**
- O acessório traseiro de mola de carga está levantado e a zona superior da caixa de aparas deverá ser colocada sobre o suporte.
 - Em seguida poderá soltar o acessório traseiro para fixar a caixa de aparas na posição correcta.

Retirar a caixa de aparas:

Poderá retirar toda a caixa de aparas levantando o acessório traseiro, retirando-a do suporte e colocando-a sobre a relva.



O acessório traseiro poderá ser baixado lentamente, permitindo que o utilizador transporte a caixa de aparas utilizando as duas mãos.

Colocação da cobertura da bateria

C3

- Efectue a montagem da cobertura da bateria fornecida, introduzindo a dobradiça nº1 no corpo do aparador e encaixando a dobradiça nº2.

Instalação da correia da bateria

C4

- Localize a bateria e a respectiva alça de transporte.
- Monte a alça da bateria como indicado.
- Não deverá utilizar a máquina sem que a alça se encontre colocada na bateria.

Bateria - informação

- A bateria do seu corta-relvas sem fios é um sistema de ácido, e chumbo selado. A bateria utiliza um electrólito absorvido e pode, portanto, ser armazenada em qualquer posição, sem haver o perigo de derrame de líquido.



- **A bateria é fornecida já carregada de fábrica, mas será necessário recarregá-la por um período mínimo de 30 horas antes de cada utilização, de modo a certificar-se de que se encontra totalmente carregada.**

- Para assegurar um bom funcionamento, a bateria deve ser recarregada depois de cada utilização.

- **Para guardar a sua máquina durante o inverno certifique-se de que:**

- **O corta-relvas está completamente carregado antes de o guardar.**
- **O local onde o irá guardar, tem uma temperatura inferior a 25°C.**
- **O tempo de armazenagem não é superior a 6 meses.**

- Guarde sempre o seu corta-relvas num local seco e fresco.

- Mantenha o corta-relvas e a bateria afastados da água, fontes de calor (ex: radiadores, aquecedores, etc.), chamas ou químicos.

Instruções de carga



- Carregue sempre o seu corta-relvas num local coberto e bem ventilado, seco e protegido das diferentes condições climáticas.



- Carregue o seu corta-relvas num local de temperatura superior a 5°C e inferior a 40°C.

AVISO! Não tente carregar baterias não-carregáveis.

Para carregar

- A bateria pode ser carregada na própria máquina, ou poderá ser retirada e carregada separadamente, se não puder dispor de uma tomada.

Para carregar a bateria NA máquina

- Retire a chave de segurança e guarde-a num local seguro, longe de crianças.
- Abra a cobertura da bateria deslizando a lingueta e a abertura para cima.
- Desligue os cabos da bateria (vermelho e negro), retirando-os dos pólos que se encontram nas zonas laterais da bateria.
- Em seguida, poderá ligar os pólos vermelho e negro do carregador aos respectivos pólos da bateria.

Nota: O pólo do carregador só poderá ser colocado numa posição.

- Ligue o carregador à tomada principal e comute para a posição de ligado.
- Indicador vermelho no carregador acender-se-á. Isto significa que o carregamento da bateria está em curso.

Carregador com luz de indicação dupla

- Quando a bateria fica carregada, sendo o tempo normal de carregamento de 24 a 30 horas, a luz vermelha apaga-se, acendendo-se então a luz verde.
- É mais seguro deixar que a bateria fique a carregar até que chegue o momento de ser utilizada.

Após o carregamento

- Desligue o carregador da bateria e ligue a bateria à alimentação no aparador.
- Seu aparador está então pronto a ser utilizado.

Para carregar a bateria FORA da máquina

- Retire a chave de segurança e a cobertura da bateria da forma descrita anteriormente e desligue a bateria.
- Retire a bateria da máquina, utilizando a alça de transporte.
- Efectue o carregamento da bateria da forma descrita anteriormente.
- Após o carregamento, volte a colocar a bateria e ligue-a ao respectivo pólo.





Substituição da bateria

Quando a bateria do corta-relvas necessita de substituição, descarregue a sua energia deixando o seu aparelho a funcionar até o motor parar. Retire a bateria do seu corta-relvas.



Aviso: Mesmo depois do motor parar, a bateria poderá ainda ficar com alguma energia. É então necessário, que se proteja contra curtos circuitos acidentais dos terminais da bateria. Não utilize ferramentas sem isolamento ou materiais condutores, como dalha de aço ou folhas de alumínio.

Não deite fora as baterias de qualquer modo. É necessário ser responsável.



Este símbolo indica que a bateria do seu corta-relvas é constituída por um acumulador de ácido e chumbo. Não as deite fora juntamente com o seu lixo doméstico.



O ácido e o chumbo que compõem a bateria, podem ser prejudiciais ao ambiente e podem explodir quando expostas ao fogo.

As baterias não podem ser incineradas.

A bateria deve ser entregue a um centro de assistência técnica Black & Decker, ao agente ou à estação de reciclagem mais próxima. Se necessário, entre em contacto com a câmara municipal da sua zona para obter informações sobre os materiais recicláveis e os locais onde podem ser depositados.

Se a performance do corte começar a deteriorar-se, por favor recorra ao manual "Encontrando a falha".



Aviso! Aquando da instalação de uma nova bateria é muito importante que o fio vermelho seja fixado ao terminal vermelho e o fio negro ao terminal negro.

Como utilizar o seu aparelho (Fig. E)

Importante! Preste atenção aos avisos sempre que estiver a utilizar o seu aparelho.



Aviso! Nunca tente usar a sua máquina com apenas uma mão. Deve conduzir o seu aparelho com ambas as mãos.



Chave de segurança

- O seu corta-relvas foi concebido com uma chave de segurança, para evitar arranques de motor acidentais, ou uso não autorizado do seu aparelho. Quando a chave de segurança for retirada do corta-relvas, este ficará completamente desactivado.

- Utilize sempre a caixa de aparas fornecida.



Aviso! Retire a chave de segurança sempre que abandonar o seu corta-relvas, mesmo que seja apenas por um breve período de tempo.

PORTUGUÊS

- Poderá encontrar a chave de segurança no pacote das peças (juntamente com um fusível sobressalente).

Arranque

- Introduza a chave de segurança na posição correcta. Encaixe-a bem.
- Empurre a pega para baixo de modo a elevar ligeiramente a parte frontal do aparelho para evitar danos na relva ao arrancar. Carregue no botão de segurança localizado na caixa do interruptor, e ao mesmo tempo, puxe a patilha na sua direcção. A máquina deverá entrar em funcionamento, pelo que poderá libertar o botão de bloqueio. Coloque o aparador na posição de corte adequada e inicie a operação utilizando as duas mãos para definir a direcção de corte.
- Para parar o motor, basta largar a alavanca. A acção de uma mola de carga existente no interior do interruptor, permite que tenha apenas que largar a alavanca para que esta volte ao local de origem, dentro do alojamento do interruptor.

Nota: As rodas possuem um curso de 360°, de modo a facilitar as manobras da máquina, e as rodas traseiras poderão ser bloqueadas, de modo a permitir uma operação de corte precisa, em linha recta como se segue:

E2

- Empurre a máquina até que todas as rodas se encontrem direccionadas para a traseira do corta-relva.

E3

- Puxe a alavanca de bloqueio que se encontra no lado esquerdo da máquina até a lingueta engatar.

E4

- Para desbloquear as rodas deverá pressionar o botão de desbloqueio, para a frente.

E5

- Se a alavanca engatar completamente na lingueta, mas as rodas traseiras não não trancarem na posição correcta, deverá libertar a alavanca, desaparafusar o ajuste do cabo por uma volta e re-engatar a alavanca e a lingueta. Repita esta operação até as rodas ficarem trancadas na posição correcta.

Recomenda-se que, quando terminar o trabalho, limpe bem a máquina antes de a guardar. Consulte o capítulo "Cuidados e manutenção".

Nota: Para conseguir um bom trabalho, corte o relvado ou a área com erva frequentemente, e nunca corte quando a relva estiver molhada.



Se notar que as aparas de relva são projectadas da zona inferior da máquina, durante a operação de corte, isso significa que a caixa de aparas se encontra cheia e deverá ser esvaziada.

Manobras (Fig. D)

O corta-relva possui rodas completamente rotativas, pelo que poderá efectuar manobras em redor de troncos de árvores e outros obstáculos. Permite ainda efectuar cortes precisos em redor de canteiros e outros elementos artísticos.

Para tornar ainda mais fácil o manejo da máquina deverá desactivar o mecanismo de bloqueio das rodas traseiras, pressionando o botão de desbloqueio.



Quando efectuar manobras com o corta-relva utilize sempre o suporte para o cabo e certifique-se de que o cabo se encontra longe da zona de corte.

Ajuste da altura de corte (Fig. F)



Aviso! Retire a chave de segurança antes de efectuar qualquer ajuste e aguarde até que a lâmina pare de rodar, uma vez que as lâminas de corte são muito afiadas.

F1

- Vire a alavanca para fora e segure-a firmemente.
- Gire o botão com a alavanca para ajustar a altura de corte desejada.
- Vire a alavanca para a posição original para travar o botão.

F2

- Para produzir um efeito de riscas no relvado deverá colocar o dispositivo fornecido para esse fim na sua posição correcta e fixá-lo com os 2 parafusos fornecidos. Em seguida deverá ajustar a altura de corte para uma posição baixa (apenas para o RU).

Nota: Se a relva se encontrar muito comprida ou sem qualquer uniformidade (normalmente aquando do primeiro corte da estação) deverá iniciar a operação de corte com uma posição mais alta e efectuar uma segunda passagem utilizando a posição de corte desejada.

Manutenção das lâminas

A lâmina de aço foi concebida para dar um bom acabamento ao corte de relva comprida ou rija. Se, contudo, devido a avaria ou desgaste a qualidade do corte diminuir, então pode tornar-se necessário substituir a lâmina do corta relvas, ou pelo menos, afiar a lâmina existente.

Recomenda-se que a lâmina de aço seja afiada, ou que seja colocada uma nova lâmina no começo de cada sessão de trabalho.

Poderá adquirir novas lâminas no Representante local de Black & Decker ou nos centros de assistência técnica.



Aviso! Quando colocar uma lâmina nova, apenas utilize peças Black & Decker - não coloque nenhum outro tipo de lâmina.

Montagem da lâmina nova (Fig. G)



Tome em atenção todos os avisos referidos antes de fazer a substituição da lâmina do seu aparelho.

Aviso! Retire sempre a chave de segurança antes de mudar a lâmina.

G

- Volte a máquina de lado para poder ver a parte de baixo da base do corta-relvas.
- Colocando um pano grosso sobre a lâmina ou utilizando luvas de protecção para proteger as mãos, agarre a lâmina e retire a porca do eixo do motor com a ajuda de uma chave de fendas adequada. Rode a porca para a esquerda para libertá-la.
- Agora pode tomar a colocar a lâmina e montar a anilha e porca.

NOTA: Alguns modelos possuem uma anilha da embraiagem, localizada entre a porca da lâmina e a lâmina, que deve estar sempre montada.

Protecção contra sobrecargas (Fig. H)

- O seu aparelho está equipado com um sistema de protecção contra sobrecargas. Se trabalhar muito depressa em relva muito alta ou em más condições, pode sobrecarregar o seu motor. Se isto acontecer, o fusível da chave de segurança fundirá, levando a máquina a parar.
- Este acontecimento não é uma falha, mas sim uma medida para proteger o seu aparelho.
- Quando tal acontecer, retire a chave de segurança e verifique o filamento do fusível. Se este se encontrar partido, isso significa que o fusível fundiu, pelo que terá de ser substituído por um novo. No pacote das peças poderá encontrar um fusível sobressalente. Em alternativa, poderá adquirir uma nova chave num centro de assistência da Black & Decker.

Para obteres melhores resultados:

- Corte a relva regularmente.



PORTUGUÊS

- Não corte relva molhada.
- Quando a relva tiver uma altura superior a 10cm, é aconselhável que corte o seu relvado com o seu aparelho numa posição de corte elevada, e acabar numa posição baixa.

Cuidados e manutenção

Nesta secção encontrará informações sobre a manutenção e os cuidados a ter com o corpo principal da máquina. O capítulo “Manutenção das lâminas” fornece-lhe informações sobre as lâminas. As informações relativas à manutenção e armazenamento de baterias é fornecida no capítulo “Bateria - informação”.

- Mantenha sempre a máquina limpa e livre de ervas, especialmente por baixo da base do corta-relvas e ventiladores.
- Recomenda-se que no fim de cada sessão de corte, retire a erva acumulada por baixo da cobertura da lâmina com um raspador rombo. A chave de porcas para lâminas fornecida com este aparelho pode ser utilizada para este propósito.
- Limpe todas as partes de plástico com um pano húmido.
- **CUIDADO!** Não use solventes ou artigos de limpeza por estes produtos poderem danificar os componentes de plásticos do seu corta-relvas.

Sugestões para uma melhor utilização

- Quando for cortar relva alta, ajuste o aparelho na maior altura de corte.
- Carregue a bateria completamente antes de utilizar o equipamento por primeira vez.
- Carregue a bateria imediatamente após a utilização.
- Antes de guardá-lo, carregue a bateria completamente.
- Não guarde o corta-relva ou a bateria em locais sob temperaturas extremas.
- Caso a bateria tenha que permanecer armazenada por um longo período de tempo, carregue-a regularmente.
- Observe que após um período de armazenagem prolongado a bateria só atingirá sua capacidade máxima após vários ciclos de carregamento/descarregamento.

Resolução de problemas

Se o corta-relvas não funcionar devidamente, estude o quadro que se segue para localizar o problema.

Problema	Solução
O corta-relvas não funciona quando a alavanca do interruptor é activada.	(a) Certifique-se de que a chave de segurança está bem colocada. (b) Retire a chave de segurança, volte o corta-relvas e verifique se a lâmina não está obstruída. (c) A bateria foi totalmente carregada? (d) Certifique-se de que o fusível não está fundido.
O corta-relvas parou quando estava a cortar.	(a) Retire a chave de segurança. Vire o corta-relvas de lado e verifique se a lâmina não está obstruída. (b) Aumente a altura de corte e ligue o corta-relvas. (c) A bateria foi totalmente carregada? (d) Inspeccione a ligação do fusível da chave de segurança, se estiver partida a chave de segurança está fundida e tem de ser substituída.
O corta-relva funciona, mas o seu desempenho é muito fraco.	(a) A bateria foi completamente carregada? (b) A bateria pode precisar de ser substituída. (Consulte a secção de “Disposição de Baterias.”)
O corta-relvas tem um ruído e uma vibração anormal.	(a) Retire a chave de segurança. Vire o aparelho de lado e verifique se a lâmina está danificada. Se estiver danificada, substitua-a com componentes Black & Decker.
É difícil empurrar o corta-relva.	(a) Eleve a altura de corte para reduzir o arrastamento sobre a relva. Verifique se as rodas rodam sem dificuldades. (b) Se houver sinais visíveis de estragos na lâmina ou na parte inferior do corta-relvas, contacte um centro de assistência técnica ou um concessionário autorizado.



Aviso! Retire sempre a chave de segurança antes de proceder a qualquer inspecção.



Protecção do meio ambiente

Ferramentas



A Black & Decker oferece facilidades para a reciclagem de produtos Black & Decker e baterias recarregáveis uma vez que os mesmos tenham alcançado o final de suas vidas úteis. Este serviço é fornecido sem encargos. Para utilizá-lo, devolva seu produto a qualquer agente de reparo autorizado, que se encarregará de recolher o equipamento em nosso nome.

Baterias



As baterias Black & Decker podem ser recarregadas muitas vezes. No final de sua vida técnica as baterias Black & Decker podem ser recarregadas muitas vezes. No final de sua vida útil, deite fora a bateria sempre tendo em mente o cuidado com o meio ambiente:

- Deixe que a bateria se descarregue completamente e depois remova-a da ferramenta.
- As baterias são recicláveis. Leve-as ao seu agente de reparação autorizado ou a uma estação local de reciclagem.

Para verificar a localização do agente de reparo mais próximo de si contacte o escritório local da Black & Decker no endereço indicado neste manual. Se preferir, consulte a lista de agentes autorizados da Black & Decker e os dados completos de nossos serviços de atendimento pós-venda na Internet no endereço: www.2helpU.com.

Garantia

A Black & Decker confia na qualidade de seus produtos e oferece um programa de garantia excelente. Esta declaração de garantia soma-se a seus direitos legais e não os prejudica em nenhum aspecto. A garantia será válida nos territórios dos Estados Membros da União Europeia e na Área de Livre Comércio da Europa.

Caso algum produto da Black & Decker apresente avarias devido a defeitos de material, mão-de-obra ou ausência de conformidade no prazo de 24 meses a partir da data de compra, a Black & Decker garantirá a substituição das peças defeituosas, a reparação dos produtos que foram submetidos a uso adequado e remoção ou substituição dos mesmos para assegurar o mínimo de inconvenientes ao cliente a menos que:

- O produto haja sido utilizado para fins comerciais, profissionais ou locação;
- O produto haja sido submetido a uso incorrecto ou descuido;
- O produto haja sofrido danos causados por objectos estranhos, substâncias ou acidentes;

- Haja histórico de reparos efectuados por terceiros que não sejam os agentes autorizados ou profissionais de manutenção da Black & Decker.

Para accionar a garantia, será necessário enviar a prova de compra ao revendedor ou agente de reparo autorizado. Para verificar a localização do agente de reparo mais próximo de si contacte o escritório local da Black & Decker no endereço indicado neste manual. Se preferir, consulte a lista de agentes autorizados da Black & Decker e os dados completos de nossos serviços de atendimento pós-venda na Internet no endereço: www.2helpU.com.

Outras ferramentas para jardim

A Black & Decker possui uma grande variedade de ferramentas que facilitam o trabalho no jardim. Se desejar obter mais informações sobre os produtos a seguir mencionados, contacte o nosso Serviço a Clientes (veja a página de endereços no final deste manual) ou contacte o revendedor local da Black & Decker.

**Aparadores
Electrosserras
Tesoura de relva
Corta-sebes**

**Corta-relvas
Vassouras para relvado
Aspiradores de folhas
Trituradores**

Nem todos os produtos estão disponíveis em todos os países.

Declaração de conformidade

GFC1234/GFC1238/GFC2438

Black & Decker declara que estas ferramentas foram concebidas em conformidade com:

98/37/CEE, 89/336/CEE, 73/23/CEE,
EN 55014, EN 60335, EN 61000,

2000/14/CEE, corta-relvas, L ≤ 50 cm,
Annex VIII, No. 0086

B.S.I., HP2 4SQ, Reino Unido

Nível de potência sonora, medido de acordo
com a 2000/14/CEE:

L_{DA} (pressão sonora) dB(A) 79
 L_{WA} (potência sonora) dB(A) 93
 L_{WA} (com garantia) dB(A) 96

Valor médio quadrático ponderado em
frequência de aceleração conforme à EN 50144:

Brian Cooke

Engenheiro Responsável
Spennymoor, County Durham DL16 6JG,
United Kingdom
1-12-2001



Περιστροφική Μηχανή Κουρέματος Γκαζόν Χωρίς Καλώδιο

Εγχειρίδιο οδηγιών

Συγχαρητήρια!

Για την αγορά Μηχανή Κουρέματος Γκαζόν Χωρίς Καλώδιο της Black & Decker.

Αυτό το εγχειρίδιο οδηγιών σας παρέχει χρήσιμες οδηγίες για τη λειτουργία και συντήρηση όλων των κουρευτικών της σειράς Περιστροφικών συσκευών της Black & Decker.

Εξοικειωθείτε με το μηχάνημά σας



Διαβάστε προσεκτικά αυτό το εγχειρίδιο, ακολουθώντας όλες τις συνιστώμενες οδηγίες ασφάλειας πριν, κατά τη διάρκεια και μετά τη χρήση του μηχανήματός σας. Συντηρήστε το μηχανήμα σας σε καλή κατάσταση.

Εξοικειωθείτε με τα κοντρόλ του μηχανήματός σας πριν επιχειρήσετε να το λειτουργήσετε και προ παντός εξασφαλίστε ότι γνωρίζετε πως να σταματήσετε το μηχανήμα σας σε έκτακτη ανάγκη.

Φυλάξτε αυτό το εγχειρίδιο και όλα τα άλλα έντυπα τα οποία παρέχονται με το μηχανήμα σας για μελλοντική χρήση.



- Χρησιμοποιήστε μια προσώπιδα αν υπάρχει σκόνη.
- Μην λειτουργείτε σε ατμόσφαιρα με αέρια που υπάρχει κίνδυνος να εκραγούν.
- Μην κόβετε γρασιδι ξυπόλυτοι ή φορώντας ανοικτά παπούδια.
- Να φοράτε μακρύ παντελόνι για την προστασία των ποδιών σας - τυχόν ακαθαρσία που μένει στο γρασιδι ή στο μονοπάτι κοπής μπορεί να συλληχθεί και να εκσφενδονισθεί από τη λεπίδα.
- Πάντοτε να βεβαιώνετε ότι η μηχανή σας βρίσκεται σε ασφαλή κατάσταση λειτουργίας.
- Προτού χρησιμοποιήσετε τη μηχανή σας, αφαιρέστε το κλειδί ασφαλείας και εξετάστε όπως η λεπίδα, το παξιμάδι της λεπίδας και η συσκευή του κοπτήρα δεν είναι χαλασμένα και δεν έχουν υποστεί βλάβη. Οι χαλασμένες λεπίδες και τα χαλασμένα παξιμάδια λεπίδας πρέπει να αντικαθίστανται. Επίσης ελέγξτε όπως το παξιμάδι της λεπίδας είναι καλά προσδεμένο.

Οδηγίες ασφαλείας

Εκπαίδευση

- Ποτέ να μην επιτρέπετε σε παιδιά ή πρόσωπα που δεν είναι εξοικειωμένα με αυτό τον τύπο μηχανής να την χρησιμοποιούν, ή σε οποιοδήποτε πρόσωπο που δεν έχει διαβάσει αυτό το φυλλάδιο.



Μην επιτρέπετε σε παιδιά, ζώα ή άλλα πρόσωπα να είναι κοντά στη μηχανή σας όταν λειτουργεί - πάντοτε να τους κρατάτε τουλάχιστον 6μ. Μακριά από τον χώρο κοπής.

- Να θυμάστε ότι ο χειριστής/χρήστης είναι υπεύθυνος για τυχόν ατυχήματα ή κινδύνους που προκαλούνται εις βάρος άλλων προσώπων ή των περιουσιών τους.

Προετοιμασία

- Για να προστατεύσετε τα πόδια σας, πάντα να φοράτε χοντρά παπούτσια ή μπότες - το φρεσκοκομμένο γρασιδι είναι μουσκεμένο και ολισθηρό.

- Ελέγξτε πάντα ότι το γρασιδι είναι καθαρό και χωρίς κλαδιά, πέτρες, σύρματα και άλλα σκουπίδια. Επαφή με σκουπίδια τέτοιου είδους μπορεί να είναι επικίνδυνη ή να προκαλέσει βλάβη στο μηχανήμα σας.
- Ελέγξτε το χορτοκιβώτιο ταχτικά για φθορά ή βλάβες.

Λειτουργία

- Όταν στρέψετε τη χειρολαβή προς τα κάτω (ή προς τα πλάγια) για να θέσετε το κουρευτικό σε λειτουργία, μη στρέψετε το μηχανήμα περισσότερο από όσο είναι απαραίτητο. Εξασφαλίστε πάντα ότι και τα δύο χέρια σας βρίσκονται στη θέση λειτουργίας και ότι τα πόδια σας βρίσκονται μακριά από τις λεπίδες πριν επιστρέψετε το κουρευτικό στο έδαφος, και αρχίστε το κούρεμα χρησιμοποιώντας και τα δύο χέρια σας για να το καθοδηγήσετε.
- Να αποφεύγετε την τυχαία εκκίνηση. Βεβαιωθείτε ότι ο διακόπτης είναι στη θέση OFF όταν βάζετε το κλειδί ασφαλείας.



Το μηχάνημα θα εξακολουθήσει να λειτουργεί για ένα μικρό διάστημα αφού αφήσετε το μοχλό διακόπτη. Αφήστε πάντα το μηχάνημα να σταματήσει μόνο του.

- Ελευθερώστε τον μοχλό του διακόπτη για να σβήσει τη θεριστική μηχανή και αφαιρέστε το κλειδί ασφαλείας σε περιπτώσεις όπως:
 - Όταν αφήνετε το μηχάνημά σας απαρακολούθητο.
 - Πριν να ελέγξετε, να καθαρίσετε ή εργάζεστε με την μηχανή.
 - Πριν καθαρίσετε εμφράγματα.
 - Εάν η θεριστική μηχανή αρχίσει να τραντάζεται ακανόνιστα (ελέγξατέ την αμέσως).
 - Όταν η μηχανή κτυπήσει σε κάποιο αντικείμενο. Επιθεωρήστε τη μηχανή για τυχόν βλάβη και κάνετε τις αναγκαίες επισκευές.
- Ποτέ να μην δοκιμάζετε να αναποδογυρίζετε τη μηχανή σας στην πλευρά της ενώ ακόμη λειτουργεί, ή να δοκιμάζετε να σταματήσετε τη λεπίδα - πάντοτε να την αφήνετε να σταματάει μόνη της.
- Μην βάζετε τα χέρια ή τα πόδια σας κοντά ή κάτω από τα περιστρεφόμενα μέρη.
- Να είστε πάντα μακριά από ανοίγματα εκκένωσης.
- Μην χρησιμοποιείτε τη μηχανή σας κάτω από τη βροχή και αποφεύγετε να χρησιμοποιείτε τη μηχανή σε βρεγμένο γρασίδι, αν είναι δυνατό.
- Να κόβετε γρασίδι στο φως της ημέρας ή κάτω από πλούσιο τεχνητό φως.
- Μην τραβάτε τη μηχανή σας προς το μέρος σας και μην περπατάτε προς τα πίσω όταν κόβετε.
- Μην περνάτε πάνω από μονοπάτια με χαλίκια ή δρόμους ενώ περιστρέφεται η λεπίδα.
- Πάντοτε να βεβαιώνετε για το ποιά στέκεστε, ειδικά σε όχθες.
- Πάντοτε να κόβετε κατά μήκος του προσώπου των πλαγιών, ποτέ πάνω και κάτω. Να είστε ιδιαίτερα προσεχτικοί όταν αλλάζετε κατεύθυνση σε πλαγιές.
- Μην κόβετε εξαιρετικά απόκρημνες πλαγιές και πάντοτε να φοράτε μη ολισθηρά παπούτσια.



- Να ελέγχετε ταχτικά τη χορτοσακούλα για τυχόν φθορά ή βλάβη, και αντικαταστήστε την αν παραστεί ανάγκη.
- Να περπατάτε, και ποτέ να μην τρέχετε. Μην ζορίζετε τη θεριστική σας μηχανή.
- Ποτέ μην σηκώνετε ή μεταφέρετε τη μηχανή σας ενώ ο κινητήρας λειτουργεί.
- Βεβαιωθείτε όπως οι λεπίδες έχουν σταματήσει να περιστρέφονται όταν την σηκώσετε για τη μεταφορά της μηχανής σε ή από τον χώρο κουρέματος.
- Όταν μετακινείτε τη μηχανή σας, πάντοτε να αφαιρείτε το κλειδί ασφαλείας, ρυθμίστε το ύψος κοπής τοποθετώντας το στη μεσαία θέση και να προσέχετε ιδιαίτερα όταν την σηκώνετε.
- Ποτέ μην λειτουργείτε τη μηχανή με ελαττωματικούς προφυλακτήρες ή καλύμματα.
- Για να αποφύγετε την κατά λάθος εκκίνηση ή τη χρήση του κουρευτικού από άλλα άτομα χωρίς να το επιτρέπετε, το κουρευτικό σας είναι εφοδιασμένο με ένα κλειδί ασφαλείας που αφαιρείται. Το κουρευτικό θα παραμείνει εκτός λειτουργίας εφόσον το κλειδί απουσιάζει από τη θέση του. Αφαιρέστε πάντα το κλειδί πριν από οποιοδήποτε καθαρισμό ή συντήρηση και ειδικά πριν από την αλλαγή της λεπίδας.
- Αν για οποιοδήποτε λόγο έρθετε σε επαφή με τον ηλεκτρολύτη της μπαταρίας, πλυθείτε αμέσως με άφθονο νερό και συμβουλευθείτε τις ιατρικές αρχές αν ο ηλεκτρολύτης έρθει σε επαφή με τα μάτια σας.

Συντήρηση και αποθήκευση

- Να αποθηκεύετε τη μηχανή σας σε ξηρό μέρος όταν δεν την χρησιμοποιείτε, αφαιρέστε το κλειδί ασφαλείας και τοποθετήστε την μακριά από τα παιδιά.
- Μην χρησιμοποιείτε διαλύματα ή υγρά καθαρίσματος για να καθαρίζετε τη μηχανή σας - χρησιμοποιείτε ένα μη αιχμηρό ξύστη για την αφαίρεση του γρασιδιού ή των ακαθαρσιών. Πάντοτε να αφαιρείτε το κλειδί ασφαλείας προτού την καθαρίσετε.





ΕΛΛΗΝΙΚΑ

- Μην φορτίζετε ή αποθηκεύετε τη συσκευή σε εξωτερικούς χώρους.
- Μην λειτουργείτε τη μηχανή σας αν οποιαδήποτε ανταλλακτικά είναι ελαττωματικά· να πετάτε όλα τα ελαττωματικά ανταλλακτικά και να εφαρμόζετε καινούργια πριν από τη χρήση.
- Αντικαταστήστε τα χαλασμένα ανταλλακτικά για λόγους ασφαλείας.
- Να διατηρείτε όλα τα παξιμάδια, κοχλίες και βίδες καλά στερεωμένα για να βεβαιώνετε ότι η μηχανή σας βρίσκεται σε ασφαλή λειτουργική κατάσταση.
- Να χρησιμοποιείτε μόνο ανταλλακτικά και εξαρτήματα αντικατάστασης τα οποία είναι ουστημένα από την Black & Decker.

Η πολιτική της Black & Decker είναι για συνεχή βελτίωση των προϊόντων της και ως εκ τούτου επιφυλλάσει το δικαίωμα να αλλάξει τις προδιαγραφές των προϊόντων χωρίς καμία προειδοποίηση.

Χαρακτηριστικά (Εικόνα Α)

A Η αγορά της θεριστικής μηχανής της Black & Decker σας προσφέρει ένα προϊόν που συνδυάζει ποιότητα και μοντέρνο σχέδιο και τα ακόλουθα χαρακτηριστικά για την παροχή ασφαλούς, αποδοτικού και εύκολου κοψίματος:

- Χωρίς Καλώδιο - Δεν χρειάζονται προεκτάσεις καλωδίου όταν θερίζετε.
- Χωρίς Καύσιμα - Δεν χρειάζεται να αγοράζετε, να αναμειγνύετε, να αποθηκεύετε ή να μεταφέρετε βενζίνη και λάδια.
- Καθάρισμα - Δεν υπάρχουν εκρήσεις, η δε μηχανή είναι φιλική προς το περιβάλλον.
- Επαναφορτιζόμενες μπαταρίες - παρέχουν ισχύ με σιγουριά.
- Εύκολη στην εκκίνηση - Ξεκινά με την πρώτη κάθε φορά.
- Ειδικά σχεδιασμένη θήκη διακόπτη και κλειδί ασφαλείας για την παρεμπόδιση τυχαίου ξεκινήματος της μηχανής.
- Εργονομικά σχεδιασμένη προηγμένη λαβή για άνετη χρήση και εύκολη ώθηση.
- Φρένο λεπίδας για επιπρόσθετη

ασφάλεια. Σταματάει την περιστροφή της λεπίδας εντός 3 δευτερολέπτων αφού ελευθερώσετε το μοχλό του διακόπτη.

- Μεγάλες πεταλούδες & περικόχλια χερουλιού για εύκολη συναρμολόγηση και αποθήκευση.
- 14 θέσεις ύψους κοπής παρέχουν ευελιξία για την αντιμετώπιση όλων των συνθηκών γρασιδιού.
- Το κουρευτικό σας είναι εφοδιασμένο με τροχούς οι οποίοι στρέφονται κατά 360° για μέγιστη ευκολία στις μανούβρες και μπορείτε έτσι να κουρέψετε μέχρι και το άκρο του γκαζόν καθώς επίσης και γύρω από εμπόδια.
- Οι πίσω τροχοί μπορούν να εμπλακούν σε σταθερή θέση για να μπορείτε να κουρέψετε με ακρίβεια σε ευθεία γραμμή.
- Εύκολη αφαίρεση του κιβωτίου χόρτου.
- Σκληρή, ειδική πλαστική βάση που δεν διαβρώνεται και συμβάλλει στην ύφεση του θορύβου και της χαμηλής δόνησης.
- Ισχυρός και αποδοτικός κινητήρας με σταθερό μαγνήτη προσφέρει αποδοτικό κούρεμα και συλλογή στο σάκο κάτω από όλες τις μέτριες συνθήκες και με χαμηλό θόρυβο.

Περιεχόμενα συσκευασίας

Η συσκευασία περιέχει:

- 1 Σώμα χλοοκοπτικής
- 1 Χειρολαβή (τριμερής)
- 1 Χορτοσυλλέκτης (διμερής)
- 1 Κλειδί/ξύστρα
- 1 Κατσαβίδι
- 1 Μπαταρία
- 1 Κάλυμμα μπαταρίας
- 1 Φορτιστής
- 1 Κλειδί ασφαλείας
- 1 Εφεδρική ασφάλεια
- 2 Πεταλούδες
- 2 Ροδέλες
- 2 Ροδέλες με διαμόρφωση



- 2 Βίδες άνω χειρολαβής
- 2 Βίδες κάτω χειρολαβής
- 5 Βίδες χορτοσυλλέκτη
- 2 Κλιπ καλωδίου
- 1 Οδηγίες χρήσης
 - Αφαιρέστε προσεκτικά από τη συσκευασία όλα τα κομμάτια.


Συναρμολόγηση της χειρολαβής

- Τοποθετήστε την χλοοκοπτική με τους τροχούς της να βρίσκονται σε στέρεα και επίπεδη επιφάνεια.
- B1** • Εισάγετε τις μπάρες της χειρολαβής μέσα στα ανοίγματα όπως φαίνεται στην Εικ. B1, έτσι ώστε η καμπύλη να τα διαπλάτυνει στο επάνω μέρος τους.
- Στερεώστε καθεμία από τις λαβές με μία βίδα και ροδέλα με διαμόρφωση όπως εικονίζεται. Σφίξτε καλά τη βίδα, χρησιμοποιώντας το παρεχόμενο κλειδί.

- B2** • Τοποθετήστε την άνω λαβή σχήματος U στις ράβδους όπως απεικονίζεται.

- B3** • Στερεώστε την μπάρα επάνω λαβής με τις βίδες, τις ροδέλες και τις πεταλούδες όπως εικονίζεται.

- Στερεώστε τα καλώδια στη λαβή χρησιμοποιώντας τα παρεχόμενα κλιπ καλωδίου.

 Μη χρησιμοποιείτε εργαλεία για να σφίξετε τις πεταλούδες.

Συναρμολόγηση του χορτοκιβωτίου (Εικ. C)

Το χορτοκιβώτιο παρέχεται σε δύο ήμισυ. Για να το συναρμολογήσετε συνεχίστε ως ακολούθως:

- C1** • Ευθυγραμμίστε τα δύο ημίσεια του χορτοσυλλέκτη, όπως εικονίζεται.
- Συνδέστε τα δύο ημίσεια με τις 5 βίδες, χρησιμοποιώντας το παρεχόμενο κατσαβίδι.

Εφαρμογή του κιβωτίου στο κουρευτικό σας

- C2** • Σηκώνεται το ελαστικό πίσω έλασμα και το πάνω μέρος του κιβωτίου τοποθετείται πάνω στο πλαίσιο εφαρμογής.
- Τώρα ελευθερώνεται το πίσω έλασμα για να εμπλέξει το κιβώτιο στη θέση του.

Αφαίρεση του κιβωτίου από το κουρευτικό σας

Όταν το κιβώτιο είναι γεμάτο μπορείτε να το αφαιρέσετε σηκώνοντας το έλασμα και αφαιρώντας το κιβώτιο από το πλαίσιο εφαρμογής και τοποθετώντας το στο έδαφος. Ακολούθως μπορείτε να αφήσετε απαλά το έλασμα για να ελευθερώσετε τα χέρια σας και να σηκώσετε το γεμάτο κιβώτιο.

Εφαρμογή του καλύμματος της μπαταρίας

- C3** • Συναρμολογήστε το παρεχόμενο κάλυμμα της μπαταρίας τοποθετώντας το μεντεσέ 1 στο σώμα του κουρευτικού και πιέζοντας το μεντεσέ 2 στη θέση του.

Εφαρμογή της ζώνης μπαταρίας

- C4** • Εντοπίστε το λουρί της μπαταρίας.
- Διπλώστε τα πλευρά του λουριού και τοποθετήστε την μπαταρία στη θέση της.
 - Ενώστε τα λουριά φροντίζοντας να ενωθούν σε κάθε σημείο όπου υπάρχει τρύπα.
 - Το λουρί πρέπει να βρίσκεται πάντα στην μπαταρία.

Πληροφορίες για την μπαταρία

- Η μπαταρία στη θεριστική σας μηχανή χωρίς καλώδιο είναι των 12 βολτ με σύστημα σφραγισμένου οξικού μόλυβδου. Η μπαταρία διαθέτει ένα αναρροφημένο ηλεκτρολύτη και επομένως μπορεί να αποθηκευθεί σε οποιαδήποτε θέση χωρίς τον φόβο διαρροής.



Η μπαταρία φορτίστηκε στο εργοστάσιο αλλά θα πρέπει να φορτιστεί και πάλι τουλάχιστο για 30 ώρες πριν από κάθε χρήση για να εξασφαλίσετε ότι είναι πλήρως φορτισμένη.

- Για άριστη απόδοση η μπαταρία θα πρέπει να επαναφορτίζεται μετά από κάθε χρήση.
- Για χειμωνιάτικη αποθήκευση να βεβαιώνετε όπως:
 - Η μηχανή είναι πλήρως φορτισμένη πριν από την αποθήκευση.
 - Η θερμοκρασία της θέσης αποθήκευσης είναι κάτω των 25°C.
 - Η διάρκεια αποθήκευσης είναι λιγότερη από 6 μήνες.



ΕΛΛΗΝΙΚΑ

- Πάντοτε να αποθηκεύετε τη μηχανή σας σε ξηρή και κρύα θέση.
- Να φυλάγετε τη μηχανή και την μπαταρία μακριά από νερό, πηγές θέρμανσης (όπως καλοριφέρ, θερμάστρες, σόμπες κτλ), φλόγες ή χημικές ουσίες.

Οδηγίες φόρτισης



- Πάντοτε να φορτίζετε τη μηχανή σας μέσα σε εσωτερικούς χώρους σε καλά εξαερισμένο χώρο, όπου είναι ξηρασία και υπάρχει προστασία από τις καιρικές συνθήκες.
- Να φορτίζετε τη μηχανή σε χώρο όπου η θερμοκρασία είναι πάνω από 5°C (41°F) και κάτω από 40°C (104°F).
- **Προειδοποίηση!** Μην δοκιμάσετε να φορτίζετε μπαταρίες που δεν φορτίζονται.

Για να φορτίσετε

- Η μπαταρία της θεριστικής μηχανής σας μπορεί να φορτισθεί όταν βρίσκεται στο μηχάνημα ή μπορεί να αφαιρεθεί και να φορτισθεί μακριά από αν δεν υπάρχει κοντινή πρίζα.

Για τη φόρτιση της μπαταρίας εντός του μηχανήματος

- Αφαιρέστε το κλειδί ασφάλειας (24) και τοποθετήστε το σε ασφαλές μέρος μακριά από παιδιά.
- Αφαιρέστε το κάλυμμα της μπαταρίας (4) πατώντας στα σύμβολα κλειδώματος στην κάθε πλευρά του καλύμματος. Το κάλυμμα μπορεί να αφαιρεθεί τελείως.
- Αποσυνδέστε το καλώδιο της μπαταρίας (κόκκινο και μαύρο) τραβώντας το από την υποδοχή στην πλευρά της εσοχής της μπαταρίας.
- Ακολούθως, το κόκκινο και μαύρο φίς του φορτιστή συνδέεται στην υποδοχή της μπαταρίας.

Σημείωμα: Το φίς του φορτιστή συνδέεται μόνο σε μία θέση.

- Συνδέστε το φορτιστή στο ρεύμα
- Θα ανάψει το κόκκινο φωτάκι του φορτιστή. Αυτό δείχνει ότι η μπαταρία φορτίζεται.

Φορτιστής με δύο φωτάκια

- Όταν φορτιστεί η μπαταρία, συνήθως σε 24 με 30 ώρες, θα σβήσει το κόκκινο φωτάκι και θα ανάψει το πράσινο.

- Μπορείτε να αφήσετε την μπαταρία στη φόρτιση με ασφάλεια μέχρι να την χρησιμοποιήσετε.

Αφού ολοκληρωθεί η φόρτιση

- Αποσυνδέστε το φορτιστή από την μπαταρία και συνδέστε την μπαταρία στην υποδοχή του κουρευτικού.
- Το κουρευτικό σας είναι τώρα έτοιμο για χρήση.

Για τη φόρτιση της μπαταρίας εκτός του μηχανήματος

- Αφαιρέστε το κλειδί ασφάλειας και το κάλυμμα της μπαταρίας όπως περιγράφεται παραπάνω κι αποσυνδέστε την μπαταρία.
- Αφαιρέστε την μπαταρία από το μηχάνημα χρησιμοποιώντας το χερούλι.
- Φορτίστε την όπως περιγράφεται παραπάνω.
- Μετά τη φόρτιση, επανατοποθετήστε την τη θεριστική μηχανή και συνδέστε την στην υποδοχή της θεριστικής μηχανής.

Διάθεση της μπαταρίας

Όταν η μπαταρία της μηχανής χρειάζεται αντικατάσταση, αποσυνδέστε την ενέργεια από την μπαταρία κινώντας την μηχανή μέχρις ότου σταματήσει ο κινητήρας. Αφαιρέστε την μπαταρία.



Προειδοποίηση: Η μπαταρία μπορεί ακόμη να διαθέτει κάποια εναπομείνουσα φόρτιση κι όταν ακόμη σταματήσει ο κινητήρας. Γι' αυτό, είναι αναγκαίο να προστατεύετε από τυχαίο βραχυκύκλωμα των τερματικών της μπαταρίας με μη μονωμένα εργαλεία ή υλικά αγωγίμης φύσεως, όπως, αλλά όχι μόνο χαλύβδινο μαλλί ή έλασμα αλουμινίου.

Οι μπαταρίες θα πρέπει να πετάγονται με υπεύθυνο τρόπο.



Το σύμβολο αυτό δείχνει ότι η μπαταρία μολύβδου που παρέχεται μέσα στη συσκευή πρέπει να αδειασθεί κανονικά και να μην πετιέται σε καθημερινά οικιακά σκουπίδια που πιθανόν να πεταχθούν σε αποτεφρωτήρα ή χώρο γεμίματος γης.



Οι μπαταρίες διά μολύβδου μπορεί να είναι επιβλαβείς στο περιβάλλον και μπορεί να εκραγούν όταν εκθέτονται στη φωτιά. **Να μην τις καίετε.**

Να παίρνετε την μπαταρία στο κέντρο εξυπηρέτησης της Black & Decker, στον τοπικό σας αντιπρόσωπο ή στον τοπικό σταθμό ανακύκλωσης. Εάν χρειασθεί, επικοινωνήστε με την τοπική σας αρχή για πληροφορίες διάθεσης.

Εάν η διαδικασία της κοπής αρχίζει να επιδεινώνεται, παρακαλώ συμβουλευθείτε τον οδηγό “Ανεύρεση και Επισκευή Λαθών”.



Προσοχή! Πρέπει οπωσδήποτε το κόκκινο καλώδιο να εφαρμόζεται στο κόκκινο τερματικό και το μαύρο καλώδιο στο μαύρο τερματικό όταν τοποθετείτε νέα μπαταρία.

Πώς να χρησιμοποιείτε τη μηχανή σας (Εικόνες Ε)

Προσοχή! Πάντοτε να παρακολουθείτε όλες τις σχετικές προειδοποιήσεις όταν χρησιμοποιείτε το μηχανήμα σας.



Προειδοποίηση! Μην δοκιμάζετε να λειτουργείτε τη μηχανή σας με το ένα χέρι - πρέπει να οδηγείτε τη μηχανή σας και με τα δύο σας χέρια.



Κλειδί ασφαλείας

- Για να αποφύγετε τυχαίο ξεκίνημα ή μη εξουσιοδοτημένη χρήση ένα κλειδί ασφαλείας που αφαιρείται έχει ενσωματωθεί μέσα στο σχέδιο της μηχανής σας. Η μηχανή θα σταματήσει πλήρως όταν αυτό το κλειδί ασφαλείας έχει αφαιρεθεί από αυτήν.
- Χρησιμοποιείτε πάντα το παρεχόμενο χορτοκιβώτιο.



Προειδοποίηση: Πάντοτε να μετακινείτε το κλειδί ασφαλείας από την μηχανή όταν την αφήνετε απαρακολούθητη, ακόμη και για σύντομο χρονικό διάστημα.

- Το κλειδί ασφαλείας βρίσκεται μέσα στο πακέτο εξαρτημάτων (μαζί με μία εφεδρική ασφάλεια).

Ξεκίνηση

- Βάλτε το κλειδί ασφαλείας στη θέση του και ωθήστε πλήρως προς τα μέσα.

E1

- Να γέρνετε τη συσκευή προς τα πίσω για να μειώνεται ο κίνδυνος βλάβης του γρασιδιού όταν κάνετε εκκίνηση, αποδεσμεύετε το κουμπί ασφαλείας κλειδώματος στη θήκη

διακόπτη και ενώ πατάτε πιέστε το μοχλό διακόπτη προς το μέρος σας. Το κουρευτικό σας θα τεθεί σε λειτουργία και μπορείτε να ελευθερώσετε το κουμπί απεμπλοκής. Χαμηλώστε το κουρευτικό σας στη σωστή θέση κουρέματος και αρχίστε το κούρεμα χρησιμοποιώντας και τα δύο χέρια σας για να καθοδηγήσετε το μηχανήμα.

- Για να σβήσετε τη μηχανή, απλώς ελευθερώστε τον μοχλό. Ο μοχλός “στιγμιαίας αναπήδησης” φορτωμένου ελατηρίου θα πάει πίσω στην αρχική του θέση μέσα στη θήκη του διακόπτη.

Σημείωμα: Το κουρευτικό σας είναι εφοδιασμένο με τροχούς οι οποίοι στρέφονται κατά 360° για μέγιστη ευκολία στις μανούβρες. Οι πίσω τροχοί μπορούν να εμπλακούν σε σταθερή θέση για να μπορείτε να κουρέψετε με ακρίβεια σε ευθεία γραμμή, ως ακολούθως:

E2

- Ωθήστε το κουρευτικό προς τα εμπρός μέχρι να στραφούν όλοι οι τροχοί προς το πίσω μέρος του κουρευτικού.

E3

- Σύρετε το μοχλό εμπλοκής στην αριστερή πλευρά του κουρευτικού μέχρι να εμπλακεί η κασάνια.

E4

- Για την απεμπλοκή των τροχών πιέστε το χερούλι απεμπλοκής προς τα εμπρός.

E5

- Σε περίπτωση που εμπλακεί πλήρως ο μοχλός στην κασάνια αλλά οι πίσω τροχοί δεν εμπλακούν στη θέση τους, ελευθερώστε το μοχλό, ξεβιδώστε τη ρύθμιση του συρματόσχοινου μία ολόκληρη στροφή και επαναλάβετε την εμπλοκή του μοχλού στην κασάνια. Επαναλάβετε τη διαδικασία μέχρι να εμπλακούν πλήρως οι τροχοί.

Όταν έχετε τελειώσει τη χρήση της μηχανής σας, σας συστήνουμε να καθαρίζετε όλα τα κολλημένα χόρτα απ' αυτήν, προτού την αποθηκεύσετε. Είναι σημαντικό όπως αφαιρείτε το κλειδί ασφαλείας προτού κάνετε καθάρισμα. Παρακαλώ συμβουλευθείτε το κεφάλαιο “Φροντίδα και Συντήρηση”.

Σημείωση: Για να έχετε τα καλύτερα δυνατά αποτελέσματα κοπής του γρασιδιού σας ή του χώρου γρασιδιού, να τα κόβετε ταχτικά, αλλά όχι όταν το γρασίδι είναι βρεγμένο.

Όταν παρατηρείτε κομμένο γρασίδι να σκορπίζεται κάτω από το κουρευτικό





κατά το κούρεμα, πιθανό να έχει γεμίσει το χορτοκιβώτιο και χρειάζεται άδειασμα.

ΕΛΛΗΝΙΚΑ

Ευελιξία (Εικ. D)

Το κουρευτικό σας είναι εφοδιασμένο με τροχούς οι οποίοι στρέφονται κατά 360° και έτσι σας προσφέρει ευελιξία γύρω από κορμούς δέντρων και άλλα εμπόδια. Αυτό σας επιτρέπει επίσης και να κουρεύετε με ακρίβεια τις καμπυλωτές λεπτομέρειες του κήπου σας όπως τα παρτέρια.

Για ανώτατη δυνατή ευελιξία ελευθερώστε το μηχανισμό εμπλοκής των πίσω τροχών σπρώχνοντας το χερούλι απεμπλοκής προς τα εμπρός.



Όταν κινείτε το κουρευτικό σας, χρησιμοποιήστε πάντα την πιάστρα του καλωδίου και εξασφαλίστε ότι το καλώδιο βρίσκεται εκτός της περιοχής κουρέματος.

Ρύθμιση ύψους κοπής (Εικ. F)



Προσοχή! Αποσυνδέστε το κουρευτικό σας από το ρεύμα και επιτρέψτε τη λεπίδα να σταματήσει πριν κάνετε οποιαδήποτε ρύθμιση. Οι λεπίδες είναι αιχμηρές.

F1

- Γυρίστε το μοχλό προς τα επάνω και κρατήστε τον με δύναμη.
- Χρησιμοποιώντας το μοχλό, περιστρέψτε το διακόπτη για να ρυθμίσετε το επιθυμητό ύψος κοπής.
- Γυρίστε το μοχλό στην αρχική θέση και πάλι, για να ασφαλίσετε το διακόπτη.

F2

- Για να επιτύχετε ριγυτό φινίρισμα στο γκαζόν σας, πρώτα σύρετε το καπάκι ριγώματος στη θέση του και εφαρμόστε το με τις 2 παρεχόμενες βίδες και ακολούθως ρυθμίστε το ύψος κοπής στο χαμηλό (μόνο HB).

Σημείωμα: Για ψηλό ή ανώμαλο γκαζόν (ειδικά κατά το πρώτο κούρεμα της σαιζόν), χρησιμοποιήστε πρώτα μία υψηλή θέση κουρέματος και τελειώστε με ένα δεύτερο κούρεμα στο επιθυμητό ύψος.

Συντήρηση των λεπίδων

Η χαλύβδινη λεπίδα είναι σχεδιασμένη για να δίνει καλό φινίρισμα σε μεγάλο ή σκληρό γρασιδί.

Αν, ωστόσο, λόγω βλάβης ή φθοράς, η απόδοση κοπής χειροτερεύει, τότε η

θεριστική μπορεί να χρειάζεται καινούργια λεπίδα, ή τουλάχιστον η υφιστάμενη λεπίδα να χρειάζεται ακόνισμα.

Συστήνουμε όπως, η χαλύβδινη λεπίδα ακονισθεί ή να τοποθετηθεί καινούργια λεπίδα κατά την αρχή κάθε καινούργιας περιόδου.

Λεπίδες αντικατάστασης διατίθενται από τους αντιπροσώπους και τους Σταθμούς Υπηρεσίας της Black & Decker.



Προειδοποίηση! Όταν εφαρμόζετε καινούργια λεπίδα, να χρησιμοποιείτε μόνο τα ανταλλακτικά αντικατάστασης της Black & Decker που καθορίζονται για τη μηχανή σας - μην δοκιμάσετε να εφαρμόσετε τυχόν άλλη λεπίδα.

Εφαρμόζοντας νέα λεπίδα (Εικόνες G)



Κοιτάξτε όλες τις σχετικές προειδοποιήσεις προτού αλλάξετε τη λεπίδα.

Προειδοποίηση! Αφαιρέστε το κλειδί ασφαλείας προτού αλλάξετε τη λεπίδα.

G

- Αναποδογυρίστε τη μηχανή σας στην πλευρά της, ούτως ώστε η κάτω πλευρά της βάσεως κοπής (εικόνα Α) να εκτίθεται.
- Χρησιμοποιώντας ένα πανί πάνω στη λεπίδα ή ένα ζευγάρι ανθεκτικά γάντια για να προστατέψετε τα χέρια σας, πιάστε τη λεπίδα και χρησιμοποιώντας ένα κλειδί, χαλαρώστε και αφαιρέστε το περικόχλιο από τον άξονα του κινητήρα. Για να χαλαρώσετε το περικόχλιο στρέψτε το στα αριστερά.
- Η ατσάλινη λεπίδα τώρα μπορεί να αντικατασταθεί, αν χρειασθεί.

Σημείωση: Μερικές συσκευές εφαρμόζονται με ροδέλα συμπλέκτη μεταξύ του παξιμαδιού της λεπίδας και της λεπίδας. Αυτό πρέπει να επανα-συναρμολογείται κάθε φορά.

Προστασία υπερφόρτωσης (Εικόνες Η)

- Η μηχανή σας είναι εφαρμοσμένη με προστασία υπερφόρτωσης. Εάν εργάζεστε πάρα πολύ γρήγορα σε



H

μεγάλο χορτάρι, ή σε βαριές συνθήκες κοπής, μπορεί να υπερφορτώσει τον κινητήρα. Αν συμβεί αυτό, θα καεί η ασφάλεια του κλειδιού ασφαλείας και θα σταματήσει το μηχάνημα.

- Αυτό δεν αποτελεί λάθος αλλά ασφαλιστικό μέσο για την προστασία της μηχανής σας.
- Όταν συμβεί αυτό, αφαιρέστε το κλειδί ασφαλείας και ελέγξτε τη διασύνδεση της ασφαλείας. Αν η διασύνδεση έχει κοπεί, η ασφάλεια είναι καμένη και πρέπει να αντικατασταθεί με καινούργια ασφάλεια η οποία υπάρχει μέσα στο πακέτο εξαρτημάτων. Εναλλακτικά, μπορείτε να αγοράσετε ένα καινούργιο κλειδί από οποιοδήποτε κέντρο εξυπηρέτησης της Black & Decker.

Για να έχετε τα καλύτερα δυνατά αποτελέσματα:

- Να κόβετε τακτικά το χορτάρι.
- Να μην κόβετε μουσκεμένο χορτάρι.
- Όταν το χορτάρι είναι μεγαλύτερο από 10cm (4 ίντρες), σας συμβουλεύουμε να περνάτε πάνω στη χλόη σε ρύθμιση υψηλής κοπής και να τελειώνετε με χαμηλότερη ρύθμιση.

Φροντίδα και συντήρηση

Οι συμβουλές που δίνονται σ' αυτό το κεφάλαιο καλύπτουν τη γενική φροντίδα και συντήρηση του κυρίου αμαξώματος της μηχανής σας. Συμβουλές σχετικά με τις λεπίδες δίνονται στο κεφάλαιο "Συντήρηση των Λεπίδων".

Συμβουλές σχετικά με τη συντήρηση και αποθήκευση της μπαταρίας δίνονται στο μέρος "Πληροφορίες για την Μπαταρία".

- Πάντοτε να διατηρείτε τη μηχανή σας καθαρή και χωρίς κοψίματα γρασιδιού, ειδικά στο κάτω μέρος της βάσης του κοπτήρα και των αεραγωγών.
- Στο τέλος κάθε περιόδου κοπής, σας συστήνουμε όπως αφαιρείτε τη συσσώρευση γρασιδιού στο κάτω μέρος του καλύμματος του κοπτήρα, χρησιμοποιώντας ένα μη αιχμηρό αντικείμενο, το κλειδί που περιλαμβάνεται μαζί με τη θεριστική μπορεί να χρησιμοποιείται γι' αυτό το σκοπό.

- Να καθαρίζετε όλα τα πλαστικά συστατικά με μουσκεμένο ύφασμα.
- **Προσοχή:** Μη χρησιμοποιείτε διαλύματα ή υγρά καθαρισματος, γιατί μπορούν να προκαλέσουν βλάβη στα πλαστικά συστατικά της μηχανής σας.

Συμβουλές για άριστη χρήση

- Κατά την κοπή μακριού χόρτου, ρυθμίστε τη χλοοκοπτική στο μεγαλύτερο ύψος κοπής.
- Φορτίστε τελείως τη μπαταρία πριν από την πρώτη χρήση.
- Φορτίστε τη μπαταρία αμέσως μετά τη χρήση.
- Πριν από την αποθήκευση, φορτίστε τελείως τη μπαταρία.
- Μην αποθηκεύσετε τη χλοοκοπτική ή τη μπαταρία σε ακραίες θερμοκρασίες.
- Αν η μπαταρία πρόκειται να αποθηκευτεί για παρατεταμένο χρονικό διάστημα, να τη φορτίζετε τακτικά.
- Παρατηρήστε ότι μετά από παρατεταμένο διάστημα αποθήκευσης, η μπαταρία θα επανέλθει στην πλήρη χωρητικότητα της μετά από αρκετούς κύκλους εκφόρτισης και φόρτισης.

Ανεύρεση και Επισκευή Λαθών

Αν η μηχανή σας δεν λειτουργεί κανονικά, χρησιμοποιήστε τον ακόλουθο πίνακα για την εντόπιση του προβλήματος.

Συμπτώματα	Επανόρθωση
Η θεριστική δεν λειτουργεί όταν ο μοχλός του διακόπτη είναι ενεργοποιημένος.	(α) Ελέγξτε για να βεβαιωθείτε ότι το κλειδί ασφαλείας έχει τοποθετηθεί σωστά. (β) Αφαιρέστε το κλειδί ασφαλείας, αναποδογυρίζοντας και ελέγξτε όπως η λεπίδα είναι ελεύθερη για να περιστρέφεται. (γ) Μήπως η μπαταρία δεν έχει πλήρως φορτισθεί; Βάλτε στην πρίζα τον φορτιστή και περιμένετε να φανεί το πράσινο φως. (δ) Ελέγξτε ότι δεν έχει καεί η ασφάλεια.
Η μηχανή σταματά όταν κόβει	(α) Αφαιρέστε το κλειδί ασφαλείας. Αναποδογυρίστε και ελέγξτε για να βεβαιωθείτε ότι η λεπίδα είναι ελεύθερη να περιστραφεί. (β) Σηκώστε το ύψος κοπής των τροχών και ξεκινήστε τη θεριστική.



ΕΛΛΗΝΙΚΑ

	(γ) Μήπως η μπαταρία δεν έχει πλήρως φορτισθεί; Βάλτε στην πρίζα τον φορτιστή και περιμένετε να φανεί το πράσινο φως. (δ) Ελέγξτε το σύνδεσμο της ασφάλειας του κλειδιού ασφαλείας. Αν ο σύνδεσμος έχει σπάσει, το κλειδί ασφαλείας είναι καμμένο και πρέπει να το αλλάξετε.
Το κουρευτικό λειτουργεί αλλά η απόδοση είναι αδύνατη.	(α) Μήπως η μπαταρία δεν έχει πλήρως φορτισθεί; Βάλτε στην πρίζα τον φορτιστή και περιμένετε να φανεί το πράσινο φως. (β) Η μπαταρία μπορεί να χρειάζεται αντικατάσταση. Συμβουλευθείτε το μέρος “Διάθεση των Μπαταριών”.
Η μηχανή είναι δύσκολη να τραβηχθεί.	(α) Υψώστε το ύψος κοπής για να μειώσετε το τράβηγμα στο χόρτο. Ελέγξτε τον κάθε τροχό για ευκολία περιστροφής.
Η μηχανή κάνει αντικανονικό θόρυβο και κάνει δονήσεις.	(α) Αφαιρέστε το κλειδί ασφαλείας. Γυρίστε τη μηχανή πλευρικά και ελέγξτε τη λεπίδα για τυχόν βλάβη. Εάν έχει βλάβη, αντικαταστήστε την με ανταλλακτικό υπηρεσίας της Black & Decker. (β) Εάν δεν υπάρχει ορατή βλάβη στη λεπίδα ή κάτω από τη θεριστική, επιστρέψτε την στο τοπικό κέντρο ή σε αναγνωρισμένο αντιπρόσωπο.



Προειδοποίηση! Πάντοτε να αφαιρείτε το κλειδί ασφαλείας προτού εκτελέσετε οποιαδήποτε επιθεώρηση.

Προστασία του περιβάλλοντος

Εργαλεία



Η Black & Decker δίνει τη δυνατότητα ανακύκλωσης των προϊόντων και των επαναφορτιζόμενων μπαταριών της που έχουν συμπληρώσει τη διάρκεια ζωής τους. Η υπηρεσία αυτή είναι δωρεάν. Αν θέλετε να χρησιμοποιήσετε την εν λόγω υπηρεσία, επιστρέψτε το προϊόν σας σε οποιοδήποτε εξουσιοδοτημένο κέντρο επισκευών, όπου θα το παραλάβουν εκ μέρους σας.

Μπαταρίες



Οι μπαταρίες Black & Decker μπορούν να επαναφορτιστούν πολλές φορές. Όταν πλέον δεν μπορούν να ξαναχρησιμοποιηθούν, απορρίψτε τις με τρόπο κατάλληλο για το περιβάλλον:

- Εξαντλήστε πλήρως τη μπαταρία και μετά αφαιρέστε την από το εργαλείο.
- Οι μπαταρίες NiCd και NiMH είναι ανακυκλώσιμες. Στείλτε τις σε κάποιο εξουσιοδοτημένο κέντρο επισκευών ή στον τοπικό σας σταθμό ανακύκλωσης.

Ενημερωθείτε για το πλησιέστερο κέντρο επισκευών της περιοχής σας, επικοινωνώντας με τα γραφεία της Black & Decker στη διεύθυνση που αναγράφεται στο εγχειρίδιο. Επίσης, για να πληροφορηθείτε τα εξουσιοδοτημένα κέντρα επισκευών της Black & Decker και τις λεπτομέρειες και τους αρμόδιους των υπηρεσιών που παρέχονται μετά την πώληση, μπορείτε να ανατρέξετε στο Διαδίκτυο στη διεύθυνση: www.2helpU.com

Εγγύηση

Η Black & Decker είναι σίγουρη για την ποιότητα των προϊόντων της και παρέχει σημαντική εγγύηση. Η παρούσα γραπτή εγγύηση αποτελεί πρόσθετο δικαίωμά σας και δεν ζημιώνει τα συνταγματικά σας δικαιώματα. Η εγγύηση ισχύει εντός της επικράτειας των Κρατών Μελών της Ευρωπαϊκής Ένωσης και της Ευρωπαϊκής Ζώνης Ελευθέρων Συναλλαγών.

Σε περίπτωση που κάποιο προϊόν της Black & Decker παρουσιάσει βλάβη εξαιτίας ελαττωματικών υλικών, ποιότητας εργασίας ή έλλειψης συμφωνίας με τις προδιαγραφές εντός 24 μηνών από την ημερομηνία αγοράς, η Black & Decker εγγυάται την αντικατάσταση των ελαττωματικών τμημάτων, την επισκευή προϊόντων που έχουν υποστεί εύλογη φθορά λόγω χρήσης ή την αντικατάσταση των προϊόντων προκειμένου να εξασφαλίσει την ελάχιστη ενόχληση στους πελάτες της, εκτός αν:

- Το προϊόν έχει χρησιμοποιηθεί σε εργασιακό, επαγγελματικό περιβάλλον ή αν έχει ενοικιαστεί
- Έχει γίνει εσφαλμένη χρήση του προϊόντος ή αν έχει παραμεληθεί
- Το προϊόν έχει υποστεί βλάβη από άλλα αντικείμενα, από ουσίες ή λόγω ατυχήματος
- Έχει γίνει προσπάθεια επισκευής από μη εξουσιοδοτημένα κέντρα επισκευών ή από προσωπικό που δεν ανήκει στο προσωπικό της Black & Decker



Για να ισχύσει η εγγύηση, πρέπει να υποβάλετε απόδειξη αγοράς στον πωλητή ή το εξουσιοδοτημένο κέντρο επισκευών. Ενημερωθείτε για το πλησιέστερο κέντρο επισκευών της περιοχής σας, επικοινωνώντας με τα γραφεία της Black & Decker στη διεύθυνση που αναγράφεται στο εγχειρίδιο. Επίσης, για να πληροφορηθείτε για τα εξουσιοδοτημένα κέντρα επισκευών της Black & Decker, τις λεπτομέρειες και τους αρμόδιους των υπηρεσιών που παρέχονται μετά την πώληση, μπορείτε να ανατρέξετε στο Διαδίκτυο στη διεύθυνση: www.2helpU.com.

Άλλα εργαλεία κήπου

Η Black & Decker διαθέτει μία πλήρη σειρά εργαλείων κήπου, τα οποία διευκολύνουν την εργασία σας στον κήπο. Για περισσότερες πληροφορίες σχετικά με τα προϊόντα που αναφέρονται παρακάτω, επικοινωνήστε με το Κέντρο Εξυπηρέτησης και Πληροφόρησης (στη διεύθυνση που αναφέρεται προς το τέλος αυτών των οδηγιών χρήσης) ή με το πλησιέστερο εξουσιοδοτημένο κατάστημα της Black & Decker.

Μηχανές φινιρίσματος χόρτου

Αλυσοπρίονα

Φορτιζόμενα ψαλίδια

Χλοοκοπτικές μηχανές

Απορροφητήρας/Φυσητήρας φύλλων

Σπαστήρας φύλλων/κλαδιών

Δεν είναι όλα τα προϊόντα διαθέσιμα σε όλες τις χώρες.

Δήλωση συμμορφωσης ΕΚ

GFC1234/GFC1238/GFC2438

Black & Decker δηλώνει ότι αυτά τα ηλεκτρικά εργαλεία σχεδιάστηκαν σύμφωνα με:

98/37/EOK, 89/336/EOK, 73/23/EOK,
EN 55014, EN 60335, EN 61000,

2000/14/EOK, Χλοοκοπτική μηχανή,
L ≤ 50 cm, Annex VIII, No. 0086

B.S.I., HP2 4SQ, Ηνωμένο Βασίλειο

Ανώτατο όριο ηχητικής πίεσης, μέτρηση κατά 2000/14/EOK:

L_{pA}	(ηχητική πίεση)	dB(A)	79
L_{WA}	(ακουστική δύναμη)	dB(A)	93
L_{WA}	(εγγυημένο προϊόν)	dB(A)	96

Ο σταθμισμένος τετραγωνικός μέσος όρος επιτάχυνσης κατά EN 50144:

Brian Cooke

Διευθυντής μηχανολογίας
Spennymoor, County Durham DL16 6JG,
United Kingdom
1-12-2001



4 x 4 Akku plæneklipper

Brugsanvisning

Tillykke!

med Deres Black & Decker Akku plæneklipper.

Denne brugerhåndbog giver vigtige instruktioner angående betjening og vedligeholdelse for alle plæneklippere i den batteridrevne 4 x 4-serie fra Black & Decker.

Lær din maskine at kende



Læs hele brugsanvisningen nøje og observér alle sikkerhedsinformationer før og efter brug af maskinen. Hold altid maskinen i god stand.



Gør dig bekendt med maskinens funktioner inden anvendelse. Vær specielt omhyggelig med, at du ved hvordan man standser maskinen i et nødstilfælde.

Opbevar brugsanvisningen til fremtidig brug.

Sikkerhedsforeskrifter

Træning

- Tillad aldrig børn eller andre personer, der ikke kender maskinen, at bruge denne. Alle som bruger maskinen skal læse denne brugsanvisning først.



Pas på at børn, voksne eller dyr ikke er i nærheden, når du arbejder med maskinen - de bør være mindst 6 meter væk fra arbejdsområdet.

- Det bør bemærkes at operatøren/brugeren er ansvarlig for ulykker eller skader, som måtte opstå på andre mennesker eller deres ejendom.

Forberedelse

- Bær kraftige sko eller støvler, så dine fødder er beskyttede. Man kan let glide på nyslået græs, som er fugtigt.
- Brug ikke maskinen i områder med eksplosionsfare.
- Slå ikke græs barfodet eller i åbne sandaler.
- Bær lange bukser for at beskytte benene. Genstande som ligger i græsset, kan slynges rundt af knivene.
- Sørg altid for at maskinen befinder sig i en god stand.



- Inden du tager maskinen i brug, fjern sikkerhedsnøglen og kontrollér, at klingens og andre roterende dele er i god stand. Defekte knive og nedslidte bolte kan forårsage store skader. Kontrollér også, at klingens sidder ordentlig fast.
- Sørg for at det område, som skal slås, er rensat for grene, sten, ståltråd og andet, der kan beskadige maskinen. Kontakt med sådanne efterladenskaber kan være farlig eller kan skade din maskine.
- Kontrollér græsopsamlingsboksen med jævne mellemrum mod slitage eller skader.

Betjening

- Når håndtaget vippes nedad for at starte slåmaskinen, bør det ikke sættes mere på skrå end absolut nødvendigt. Det skal altid sikres at fødderne befinder sig i behørig afstand fra klingens. Brug altid begge hænder til at føre maskinen.
- Undgå utilsigtet start. Kontrollér at afbryderen er slukket, når du sætter sikkerhedsnøglen i.



Maskinen fortsætter med at rotere et kort stykke tid efter du har slukket for den. Lad altid maskinen standse selv.

- Slip afbryderen for at slukke maskinen og tag sikkerhedsnøglen ud når:
 - Du efterlader maskinen uden opsyn.
 - Inden kontrol, rengøring eller arbejde på maskinen.
 - Hvis plæneklipperen begynder at vibrere unormalt (kontrollér omgående).
 - Hvis plæneklipperen rammer en genstand (sten). Kontrollér maskinen for skade og reparér efter behov.
- Lad aldrig maskinen køre, når den ligger på siden eller opad på græsset. Forsøg aldrig at stoppe klingens, den skal altid stoppe af sig selv.
- Hold aldrig hænder eller fødder i nærheden af eller under roterende dele.
- Du bør til enhver tid holde dig væk fra spildevandsudladninger.
- Maskinen bør ikke anvendes hvis det regner, eller hvis græsset er vådt.
- Klip kun når det er dagslys eller god belysning.
- Træk ikke maskinen mod dig selv, og gå aldrig baglæns med den under arbejdet.





- Kør ikke over havegange eller kanter, når klingene roterer.
- Stå altid sikkert med et godt fodfæste, især hvis du klipper skråninger.
- Klip altid langs en skråning - aldrig op og ned. Vær ekstra forsigtig når du skifter retning på skråninger.
- Klip ikke meget stejle skråninger og brug altid skridsikkert fodtøj.
- Kontrollér regelmæssigt at opsamlingsbeholderen er i god stand, og udskift hvis det er nødvendigt.
- Gå, løb aldrig. Pres ikke plæneklipperen.
- Bær aldrig plæneklipperen, når motoren er i gang.
- Kontrollér altid, at klingerne er holdt op med at løbe rundt, inden du flytter plæneklipperen.
- Ved transport - Tag altid sikkerhedsnøglen ud, juster højdeindstillingen til midterniveau og vær forsigtig når du løfter.
- Brug aldrig plæneklipperen, hvis skærmene eller skærmladerne er beskadigede.
- For at hindre tilfældig start af din plæneklipper, medfølger der en aftagelig sikkerhedsnøgle. Når denne sikkerhedsnøgle anvendes, bliver maskinen totalt uarbejdsdygtig. Inden der udføres nogen form for rengøring eller vedligeholdelse skal nøglen altid fjernes; dette gælder specielt inden der skiftes knive.
- Hvis De ved et uheld kommer i kontakt med batteriets elektrolytvæske, bør De omgående skylle det påvirkede område med vand; hvis væsken kommer i kontakt med øjnene bør De straks søge lægehjælp.



Vedligeholdelse og opbevaring

- Når De ikke bruger plæneklipperen, skal den opbevares på et tørt sted og sikkerhedsnøglen skal fjernes. Opbevar denne uden for børns rækkevidde.
- Brug ikke rengøringsmiddel når De rengør plæneklipperen, men brug en plastskraber eller lignende til at fjerne græs og snavs. Fjern altid sikkerhedsnøglen, inden maskinen rengøres.
- Oplad eller opbevar aldrig maskinen udenørs.
- Brug aldrig plæneklipperen, hvis nogle af delene er beskadigede. Alle defekte dele skal kasseres og udskiftes inden brug.

- For at sikre at plæneklipperen befinder sig i en god tilstand, strammes alle møtrikker, bolte og skruer.
- For din egen sikkerhed - Udskift nedslidte eller beskadigede dele.
- For din egen sikkerhed - Stram plæneklipperens møtrikker og skruer.

Brug kun de af Black & Decker anbefalede reservedele og tilbehør.

Maskinens dele (Fig. A)

A Det er Black & Decker's politik at gennemføre kontinuerlige forbedringer på vore produkter. Vi reserverer retten til at ændre produktspecifikationerne uden varsel.

- Kabelfri. Der er ikke brug for nogen forlængerledning ved plæneklipping.
- Ingen benzin. Der er ikke brug for at blande benzin og olie, transportere det eller opbevare det.
- Der er ingen udstødning eller anden forurening under klipningen.
- Genopladelige batterier - giver pålidelig effekt.
- Let at starte. Starter første gang - hver gang.
- Afbryderen og sikkerhedsnøglen er specialdesignede for at forhindre utilsigtet start.
- Ergonomisk opadbøjet håndtag giver et bekvemt greb, samt bedre bevægelighed.
- En klingebræmme for yderligere sikkerhed. Stopper klingens rotation indenfor 3 sekunder efter afbryderkassens stang slippes.
- Store møtrikker på håndtaget gør det enkelt at montere og at klappe den sammen ved opbevaring.
- 14 klippepositioner, der giver fleksibilitet til at klare de fleste plæneforhold.
- Plæneklipperen har roterende hjul på 360° for maksimal bevægelighed af hjulene, hvorved der både kan klippes helt op til plænenes kant og udenom forhindringer.
- For at opnå en helt lige skærelinie kan baghjulene låses.
- Græsboxen er let at fjerne.
- Holdbar plast bevirker lang levetid, ruster ikke og bidrager til lave vibrationer og lavt lydniveau.
- Kraftig, effektiv og permanent magnetmotor med lavt støjniveau, der giver effektiv slåning og opsamling under alle rimelige forhold.



Kassens indhold

Kassen indeholder følgende:

- 1 Plæneklipperens karosseri
- 1 Greb (3 dele)
- 1 Græsboks (2 dele)
- 1 Værktøj til fastspænding / rengøring
- 1 Skruetrækker
- 1 Batteri
- 1 Batterilås
- 1 Oplader
- 1 Sikkerhedsnøgle
- 1 Reservesikring
- 2 Fløjmotrikker
- 2 Spændeskiver
- 2 Formede spændeskiver
- 2 Bolte til øvre greb
- 2 Bolte til nedre greb
- 5 Skruer til græsboks
- 2 Kabelklemmer
- 1 Brugsvejledning
 - Pak forsigtigt alle dele ud.

Montering af grebet

- Anbring plæneklipperen med hjulene på en fast og vandret overflade.

B1 • Indsæt grebets stænger i åbningerne som vist i fig. B1, således at kurven gør dem bredere i toppen.

- Fastgør hver stang med en bolt og en formet spændeskive som vist. Fastspænd boltene sikkert med vedlagte skruenøgle.

B2 • Anbring det U-formede øvre håndgrebsskaft på skafterne som vist.

B3 • Fastgør det øvre håndgrebsskaft ved hjælp af boltene, spændeskiverne og fløjmotrikkerne som vist.

- Fastgør kablerne til håndtaget ved hjælp af vedlagte kabelklemmer.



Brug ikke værktøjer til at fastspænde fløjmotrikkerne med.

Montering af græsboksen (Fig. C)

Græsboksen leveres i to halvdele. For at montere den, fortsættes der som følger:

- C1** • Justér græsboksens to halvdele som vist.
- Sæt de to halvdele sammen med de 5 skruer ved hjælp af medfølgende skruetrækker.

DANMARK

C2 **Montering af græsboksen på plæneklipperen:**

- Den fjederbelastede bagklap løftes og toppen af græsboksen anbringes over monteringen.

- Nu kan bagklappen slippes for at fastlåse græsboksen i position.

Sådan fjernes græsboksen fra plæneklipperen:

Den fulde græsboks kan fjernes ved at hæve græsklappen, samt ved at frigøre græsboksen fra monteringen og ved at lægge den på plænen. Græsklappen kan sænkes forsigtigt for at holde begge hænder fri til at løfte den fulde græsopsamlingskasse.

C3 **Montering af batterilåget**

- Monter det medfølgende batterilåg ved at sætte hængsel nr. 1 fast på plæneklipperen. Derefter skubbes hængsel nr. 2 på plads.

Montering af batteriremmen

- C4**
- Lokalisér batteriet og dets bærerem.
 - Monter batteriets bærerem som vist.
 - Remmen skal altid sidde på batteriet.

Batteriinformation

- Batteriet i den genopladelige plæneklipper er et forsejlet blysyrebatteri. Batteriet indeholder en absorberende elektolytvæske, og kan derfor opbevares i hvilken som helst stilling uden risiko for lækage.
- **Batteriet er blevet opladet på fabrikken, men for at sikre, at det er helt opladet, bør det genoplades i mindst 30 timer, inden plæneklipperen tages i brug allerførste gang.**
- For at opnå bedste batterikapacitet, skal batteriet oplades fuldt ud efter hver gang det har været i brug.
- **Ved vinteropbevaring må du sikre dig at:**
 - **Plæneklipperen er fuldt opladet inden vinteropbevaring.**
 - **Temperaturen på opbevaringsstedet er under 25°C.**
 - **Opbevaringens varighed må ikke være mere end 6 måneder.**
- Opbevar altid plæneklipperen et tørt og køligt sted.
- Opbevar plæneklipperen i behørig afstand fra vand, varme (plader, radiatorer, varmeblæsere etc.) ild og kemikalier.

Opladningsinstruktion



- Oplad altid plæneklipperen indendørs på et tørt og gennemventileret sted.
- Oplad kun plæneklipperen, når temperaturen er mellem 5° og 40°C.



Advarsel! Forsøg aldrig at oplade uopladelige batterier.

Opladning

- Batteriet på din græsslåmaskine kan oplades på maskinen, eller det kan fjernes og oplades separat, hvis der ikke findes en stikkontakt i nærheden.

Opladning af batteriet PÅ græsslåmaskinen

- Fjern sikkerhedsnøglen, og opbevar den på et sikkert sted udenfor børns rækkevidde.
- Batteriets låg fjernes ved at skubbe krogen, hvorved det åbnes i opadgående retning.
- Afbryd batteristiften (rød og sort) ved at trække den ud af fatningen på siden af batterifordybningen.
- Derefter tilsluttes opladerens røde og sorte fatning til batteriets røde og sorte stik.

Bemærk: Opladerens fatning kan kun monteres på én måde.

- Opladeren kobles til hovedstikket og tændes
- Den røde indikator på opladeren lyser. Dette viser at batteriet bliver ladet op.

Oplader med dobbellys

- Når batteriet er ladet op (normalt efter 24 til 30 timer) slukker det røde lys, hvorefter det grønne lys tænder.
- Det er bedst at lade batteriet oplade indtil det er klar til brug.

Når opladningen er færdig

- Tag batteriet ud af opladeren og sæt det ind i plæneklipperens stik.
- Nu er plæneklipperen klar til brug.

Opladning af batteriet VÆK fra græsslåmaskinen

- Fjern sikkerhedsnøglen og batterilåget, som ovenfor beskrevet og afbryd batteriet.
- Løft batteriet ud af græsslåmaskinen ved brug af bærehåndtaget.
- Der oplades som ovenfor beskrevet.
- Efter opladningen, placeres batteriet i græsslåmaskinen, hvorefter det tilsluttes græsslåmaskinens stik.

Bortskaffelse af batteri

Når batteriet skal udskiftes, skal batteriets energi køres hel flad. Dette gøres ved at lade plæneklipperen køre indtil den stopper. Fjern batteriet fra plæneklipperen.



Advarsel! Selv om motoren er holdt op med at rotere, kan der stadig findes strøm tilbage på batteriet. Vær derfor omhyggelig med ikke at kortslutte polerne med noget ledende værktøj eller andet ledende materiale som f.eks. ståluld, aluminiumsfolie o.s.v.

Batteriet skal bortskaffes på en ansvarlig måde.



Dette symbol betyder at bly/syre batteriet i dette produkt skal bortskaffes på en miljømæssigt rigtig måde og aldrig må bortkastes sammen med husholdningsaffald, som kasseres i en forbrænder eller på en losseplads.



Bly/syre batterier kan være skadelige for miljøet og kan eksplodere, hvis de udsættes for åben ild. **Batteriet må ikke brændes.**

Batteriet skal indleveres til et autoriseret Black & Decker serviceværksted eller på en af kommunens anviste genbrugssteder. Hvis der er behov for det, kan du kontakte din lokale kommune for information om bortskaffelse.

Hvis batterikapaciteten reduceres, følg anvisningerne under "fejlsøgning".



Advarsel! Ved installation af et nyt batteri, er det vigtigt at den røde ledning monteres i den røde polklemme, samt at den sorte ledning monteres i den sorte polklemme.

Sådan betjenes plæneklipperen (Fig. E)

Vigtigt! Vær opmærksom på alle relevante advarsler når maskinen anvendes:



Advarsel! Kør aldrig maskinen med kun én hånd. Hav altid begge hænder på håndtaget. Forsøg aldrig at betjene maskinen med én hånd. Maskinen skal altid føres med begge hænder på håndtaget.



Sikkerhedsnøgle

- For at hindre utilsigtet start af uvedkommende, findes der en indbygget sikkerhedsnøgle i plæneklipperen. Hvis nøglen fjernes, kan plæneklipperen ikke starte.
- Den medfølgende græsopsamlingsboks bør altid anvendes.



Advarsel! Tag altid sikkerhedsnøglen ud, når maskinen efterlades uden opsyn, selv om det blot er for en kort stund.

- Sikkerhedsnøglen findes i reservedelspakken (sammen med en ekstra sikring).

Start

- Sæt sikkerhedsnøglen i position og skub den helt ind.



DANMARK

- E1**
- For at nedsætte risikoen for plæneskade under starten, trykkes håndtaget ned for at hæve plæneklipperen, hvorefter der trykkes på sikkerhedsnøglens knap på strømafbyderen. Derefter trækkes reguleringshåndtaget mod dig.

Plæneklipperen starter og du kan slippe knappen samt sænke plæneklipperen til den korrekte skærestilling. Når plæneklipperen betjenes, skal begge hænder bruges.

- For at slukke motoren, slippes håndtaget. Den fjederbelastede 'smæklås' går tilbage til den oprindelige position inde i afbryderhuset.

Bemærk: For maksimal bevægelighed, har plæneklipperen roterende hjul på 360°. Baghjulene kan låses i position for lige og præcis slåning som følger:

- E2**
- Skub plæneklipperen fremad indtil alle hjulene roterer mod plæneklipperens bagside.

- E3**
- Træk i låsestangen på venstre side af plæneklipperen.

- E4**
- For at låse hjulene op, skubbes udløserhåndtaget fremad.

- E5**
- Hvis stangen går helt i indgreb på klinken, uden at baghjulene låses i position, skal stangen slippes og kablet skrues af ved at justere med én omdrejning, samt ved at bringe stangen og klinken i indgreb igen. Dette gentages indtil hjulene låses helt i position.

Plæneklipperen fungerer fortsat, mens du trækker i udløserhåndtaget. For at stoppe plæneklipperen, slippes udløserhåndtaget.

Når klipningen er afsluttet anbefaler vi, at klipperen rengøres, inden den stilles til opladning. Se "Pleje og vedligeholdelse".

Obs! For at opnå det bedste resultat, skal græsset klippes regelmæssigt, men aldrig når græsset er fugtigt eller vådt.

Hvis de under slåningen bemærker at græsset falder ud under maskinen er græsopsamlingsboksen sikkert fuld og bør tømmes.

Bevægelighed (Fig. D)

Plæneklipperen har 360° roterende hjul og er som sådan istand til at bevæge sig rundt om træer og andre genstande. Plæneklipperen kan også bevæges rundt om kurvede steder i haven, som for eksempel blomsterbede og bassiner.

For maksimal manøvreedygtighed slippes baghjulenes låsemekanisme ved at skubbe udløserhåndtaget fremad.



Når plæneklipperen manøvreres, skal kabelholderen altid benyttes. Sørg altid for at kablet ikke sidder i vejen, hvor der slås græs.

Justering af skærehøjden (Fig. F)



Advarsel! Inden der udføres nogen form for justering, skal plæneklipperen afbrydes fra elforsyningen, og klingerne skal have tid til at stoppe roteringen: skæreklingerne er skarpe.

- F1**
- Smæk vippearmen udefter, og hold den fast.

- Drej knappen ved hjælp af vippearmen for at indstille den ønskede klippehøjde.

- Smæk vippearmen tilbage for at låse knappen.

- F2**
- For at få stribeeffekter på plænen, skubbes stribeklappen først i position, hvorefter den fastgøres med de 2 medfølgende skruer. Derefter justeres skærehøjden til en lav skæreposition (kun for UK).

Bemærk: Hvis græsset er langt eller ujævnt i højde (specielt den første årlige klipning), bør der først klippes med en høj indstilling, hvorefter der klippes endnu engang i ønskede højde.

klinger

Stålklingen er designet til at give et flot finish i både langt og tykt græs.

Hvis slåningen imidlertid forringes på grund af skade eller slitage, skal plæneklipperen muligvis have en ny klinge, eller den eksisterende klinge skal skærpes.

Vi anbefaler at stålklingen skærpes eller erstattes med en ny ved begyndelsen af hver sæson.

En ny klinge kan fås hos din nærmeste Black & Decker forhandler eller serviceværksted.



Advarsel! Ved montering af en ny klinge, må der kun anvendes de reservedele fra Black & Decker, som er specificeret for din maskine - der må ikke gøres forsøg på at anvende andre typer klinger.

Skift af klinge (Fig. G)



Vær opmærksom på alle relevante advarsler, inden klingen skiftes.

Advarsel! Sikkerhedsnøglen skal tages ud inden skift af klinge.



- Vend maskinen om på siden, så undersiden af knivdækslet bliver synligt.



- Læg et klæde over klingen eller bær kraftige arbejdshandsker for at beskytte hænderne. Grib fat i klingen og løsgør og fjern møtrikken fra motorakslen med en skrueøgle. For at løsne møtrikken, drejes den mod urets retning.
- Klingen kan nu udskiftes, og pakskiven og møtrikken kan genmonteres.

Bemærk: Nogle modeller er udstyret med en spændeskive mellem klingens møtrik og klingens. Denne skal altid genmonteres.

Overbelastningsbeskyttelse (Fig. H)

- Maskinen er udstyret med en overbelastningsbeskyttelse. Hvis maskinen køres for hurtigt i højt græs eller under besværlige klippeforhold kan motoren overbelastes. Hvis dette sker, springer sikkerhedsnøglen sikring og maskinen stopper.
- Dette er ingen fejl, men blot en sikkerhedsanordning der beskytter din maskine.
- Når dette sker skal sikkerhedsnøglen fjernes, hvorefter sikringens forbindelse undersøges. Hvis forbindelsen er afbrudt er sikringen sprunget og skal udskiftes. Denne sikring medfølger som ekstra tilbehør i reservedelspakken. Alternativt kan De købe en ny nøgle fra et hvilket som helst Black & Decker-servicecenter.

H

For at opnå bedste resultat:

- Klip græsset regelmæssigt.
- Klip aldrig vådt græs.
- Hvis græsset er mere end 10cm højt, tilrådes det først at slå plænen med skæreindstillingen på et højt niveau, hvorefter det slås med en lavere indstilling.

Pleje og vedligeholdelse

Følgende råd gælder almindelig vedligeholdelse af plæneklipperen. Spørgsmål om klingens behandling under "Vedligeholdelse af klinger". Råd vedrørende vedligeholdelse og opbevaring af batteriet, gives under "Batteriinformation".

- Hold altid maskinen ren for græsstrå, specielt under skæredækslet og luftventilerne.
- Efter hver klipning anbefaler vi, at græs som eventuelt har sat sig fast under maskinen, fjernes med en plastskraber eller lignende, Den skrueøgle der følger med plæneklipperen kan eventuelt benyttes.
- Rengør alle plastdele med en fugtig klud.

- **Obs!** Brug ikke opløsningsmidler eller andre stærke kemikalier, som kan ødelægge plastdelenes flader.

Gode råd til optimalt brug

- Ved klipning af højt græs indstilles plæneklipperen på den højeste klippehøjde.
- Oplad batteriet helt før første ibrugtagning.
- Oplad batteriet umiddelbart efter brug.
- Batteriet skal oplades helt, før maskinen sættes væk til opbevaring.
- Opbevar ikke plæneklipperen eller batteriet under ekstreme temperaturer.
- Hvis batteriet skal opbevares i længere tid, bør det oplades regelmæssigt.
- Bemærk, at batteriet efter en længerevarende opbevaring kun kan opnå fuld kapacitet efter flere afladnings- og opladningsomgange.

Fejlsøgning

Hvis maskinen ikke fungerer rigtigt, brug da nedenstående oversigt for at lokalisere fejlen.

Problem	Afhjælpning
Maskinen starter ikke når udløserstangen aktiveres.	(a) Kontrollér at sikkerhedsnøglen er sat korrekt i. (b) Tag sikkerhedsnøglen ud. Læg maskinen på siden og kontrollér, at klingens roterer frit. (c) Kontrollér, at batteriet er fuldt opladet. (d) Kontrollér at sikringen ikke er sprunget.
Maskinen standser under slåningen.	(a) Tag sikkerhedsnøglen ud og kontrollér, at klingens roterer frit. (b) Hæv klippehøjden og start plæneklipperen. (c) Kontrollér om batteriet er helt opladet. (d) Kontrollér sikkerhedsnøglen sikringsforbindelse; hvis den er knækket, er sikringen sprunget og skal udskiftes.
Plæneklipperen kører men slår ikke græsset ordentligt.	(a) Kontrollér om batteriet er helt opladet. (b) Batteriet skal måske udskiftes. Henvi til afsnittet "Bortskaffelse af batteri".



DANMARK

Plæneklipperen er svær at skubbe.

(a) Hæv klippehøjden for at reducere trækning på græsset. Kontrollér om hvert hjul roterer frit.

Plæneklipperen vibrerer og larmer unormalt.

(a) Tag sikkerhedsnøglen ud. Læg maskinen på siden og undersøg om klingen er beskadiget. Hvis klingen er beskadiget, bør den udskiftes med en ny fra Black & Decker.
(b) Hvis der ikke findes synlige skader på klingens eller undersiden af plæneklipperen, bør den returneres til dit lokale servicecenter eller en autoriseret forhandler.

Garantien gælder ikke for fejl og mangler, der er sket i forbindelse med:

- normal slitage
- uheldige følger efter unormal anvendelse af værktøjet
- overbelastning, hærværk eller overdrevent intensivt brug af værktøjet
- ulykkehændelse

Garantien gælder ikke hvis reparationer er udført af nogen anden end et autoriseret Black & Decker værksted.

For at udnytte garantien skal produktet og købskvitteringen indleveres til forhandleren eller til et autoriseret værksted, senest 2 måneder efter at fejlen opdages. For information om nærmeste autoriserede værksted: kontakt det lokale Black & Decker kontor på den adresse som er opgivet i brugsanvisningen. Liste over alle autoriserede Black & Decker serviceværksteder samt servicevilkår er tilgængelig på internettet, på adressen www.2helpU.com.



Advarsel! Tag altid sikkerhedsnøglen ud inden der udføres eventuelt eftersyn.

Miljø

Værktøj



Når dit værktøj er udtjent, beskyt da naturen ved ikke at smide det ud sammen med det almindelige affald. Aflever det til de opsamlingssteder, der findes i din kommune eller der hvor du købte værktøjet.

Batterier



Black & Decker batterierne kan genoplades mange gange. Beskyt miljøet ved at aflevere de kasserede batterier på dertil beregnede opsamlingssteder.

- Aflad batteriet fuldstændigt og fjern det fra værktøjet.
- Batterier kan genbruges. Aflever dem til købsstedet eller til den lokale genbrugsstation. Genanvendelige batterier genbruges eller sendes til specielle behandlingsanlæg.

Garanti

Black & Decker garanterer, at produktet er fri for materielle skader og/eller fabrikations- fejl ved levering til kunden. Garantien er et tillæg til konsumentens lovlige rettigheder og påvirker ikke disse. Garantien gælder indenfor medlemsstaterne af den Europæiske Union og i det Europæiske Frihandelsområde.

Hvis et Black & Decker produkt går i stykker på grund af materiel skade og/eller fabrikationsfejl eller på anden måde ikke fungerer i overensstemmelse med specifikationen, inden for 24 måneder fra købsdatoen, påtager Black & Decker sig at reparere eller ombytte produktet med mindst muligt besvær for kunden.

Reserve dele / reparationer

Reserve dele kan købes hos autoriserede Black & Decker serviceværksteder, som giver forslag til omkostninger og reparerer vore produkter. Oversigt over vore autoriserede værksteder findes på internettet på vor hjemmeside www.blackdecker.dk samt www.2helpU.com.

Andet haveværktøj

Black & Decker har et stort sortiment af haveværktøj, som gør havearbejdet let. Hvis De ønsker yderligere information omkring vore produkter, bedes De sætte dem i kontakt med vore Service- og informationscentre, eller sæt Dem i forbindelse med Deres lokale Black & Decker forhandler.

Græstrimmere
Kædesave
Hækkeklippere
Beskærersakse
Plæneklippere
Løvsugere
Kompostkværne

En del af produkterne findes ikke i alle lande.



EU-overensstemmelseserklæring

GFC1234/GFC1238/GFC2438

Black & Decker erklærer at disse værktøjer er konstrueret i henhold til:

98/37/EØF, 89/336/EØF, 73/23/EØF,
EN 55014, EN 60335, EN 61000,

2000/14/EØF, plæneklipper, $L \leq 50$ cm,
Annex VIII, No. 0086

B.S.I., HP2 4SQ, United Kingdom

Lydniveauet målt i henhold til 2000/14/EØF:

L_{pA}	(lydniveau)	dB(A)	79
L_{WA}	(akustisk styrke)	dB(A)	93
L_{WA}	(garanteret)	dB(A)	96

Den vægtede geometriske middelværdi af accelerationsfrekvensen i henhold til EN 50144:

Brian Cooke

Director of Engineering
Spennymoor, County Durham DL16 6JG,
United Kingdom
1-12-2001



Akkuruohonleikkuri

Käyttöohje

Onnitellut!

Kiitos, että olette valinnut Black & Decker -koneen. Käyttöohjeesta löydätte tietoa Black & Deckerin akkuruohonleikkureiden käytöstä ja huollosta.

Opettele käyttämään ruohonleikkuriasi



Lue käyttöohjeet huolellisesti ja noudata kaikkia turvallisuusohjeita ennen leikkuuta, sen aikana ja sen jälkeen. Huolehdi, että ruohonleikkurisi on aina hyvässä käyttökunnossa.



Tutustu kaikkiin säätimiin ennen leikkurin käyttöönottoa. Varmista, että osaat sammuttaa leikkurin ennen kuin käynnistät sen.

Säilytä käyttöohje.

Turvallisuusohjeet

Koulutus

- Älä koskaan anna lasten tai muiden konetta tuntemattomien käyttäjä konetta. Kaikkien konetta käyttävien tulee lukea ensin käyttöohjeet.



Varmista, ettei lapsia, aikuisia tai kotieläimiä ole lähellä käyttäessäsi konetta - minimietäisyys työskentelyalueesta on 6 m.

- Muista, että koneen käyttäjä on vastuussa ihmisille tai heidän omaisuudelleen tapahtuvista vahingoista.

Valmistelut

- Suojaa jalkasi käyttämällä tukevia kenkiä tai saappaita - vastaleikattu ruoho on kosteaa ja liukasta.
- Käytä kasvosuojaa, jos nurmikko on pölyistä.
- Älä käytä konetta räjähdysalttiissa ympäristössä.
- Älä leikkaa paljain jaloin tai sandaalit jalassa.
- Käytä pitkiä housuja suojataksesi jalkasi. Nurmikossa mahdollisesti olevat esineet voivat singota koneesta.
- Varmista aina, että koneesi on turvallinen käyttäjä.
- Ennen koneen käyttöä poista turva-avain ja tarkista, että terä ja muut pyörivät osat ovat hyvässä kunnossa. Viialiset terät ja kuluneet pultit voivat aiheuttaa vakavia vammoja. Tarkista, että terä on kunnolla kiinni.



- Tarkista aina, ettei leikkurualueella ole risuja, kiviä, rautalankaa, tms. Nämä saattavat singota terästä ja voivat vaurioittaa konetta.
- Tarkista kokooja säännöllisesti kulumilta ja vaurioilta.

Käyttö

- Paina työntökahvaa alaspäin (tai sivulle) ruohonleikkuria käynnistäessäsi, paina vain sen verran kun on ehdottoman tarpeellista. Varmista aina, että kummatkin kätesi ovat oikeassa asennossa ja jalkasi poissa terien läheisyydestä, ennen kuin lasket ruohonleikkurin takaisin maahan. Aloita leikkaaminen kummallakin kädellä ohjaten.
- Vältä tarpeetonta käynnistämistä. Varmista, että virrankatkaisija on pois päältä laittaessasi turva-avaimen paikalleen.



Terä jatkaa pyörimistä jonkin aikaa sen jälkeen kun kone on pysäytetty. Anna sen pysähtyä itsestään.

- Päästä irti virrankatkaisijasta sammuttaaksesi leikkurin ja poista turva-avain:
 - Jättäessäsi leikkurin vahtimatta.
 - Ennen kuin ryhdyt tarkistamaan, puhdistamaan tai työskentelemään leikkurin parissa.
 - Mikäli leikkuri tärisee epänormaalisti (tarkista syy heti).
 - Mikäli leikkuri osuu vieraaseen esineeseen. Tarkista, ettei kone vahingoittunut.
- Älä koskaan pidä leikkuria käynnissä sen ollessa kyljellään. Älä myöskään yritä pysäyttää terää, vaan anna sen pysähtyä itsestään.
- Älä koskaan pidä käsiä tai jalkoja pyörivien osien alla tai lähellä.
- Älä ole ulostuloaukon lähellä.
- Älä käytä konetta sateisella säällä äläkä anna sen kastua. Vältä koneen käyttöä kostealla nurmikolla, mikäli mahdollista.
- Leikkaa ainoastaan päivänvalossa tai hyvässä valaistuksessa.
- Älä vedä konetta itseesi päin äläkä kävele takaperin leikatessasi nurmikkoa.
- Älä aja leikkurilla käytävien tai reunojen yli terän pyöriessä.





- Seiso aina tukevasti, etenkin rinteissä.
- Leikkaa aina rinnettä poikittain, älä ylös ja alas. Ole erityisen varovainen muuttaessasi suuntaa rinteessä.
- Älä leikkaa erittäin jyrkkiä rinteitä, käytä aina tukevia kenkiä.
- Tarkista säännöllisesti, että kokooja on hyvässä kunnossa.
- Kävele, älä koskaan juokse. Älä työnnä leikkuria väkisin.
- Älä koskaan kannan leikkuria moottorin käydessä.
- Tarkista aina, että terä on lakannut pyörimistä ennen kuin siirät leikkurin.
- Kuljettaessasi leikkuria poista turva-avain, säädä korkeus keskitasoon ja ole varovainen nostaessasi konetta.
- Älä koskaan käytä leikkuria, mikäli suojat ovat vioittuneet.
- Ruohonleikkurissa on irrotettava turva-avain tahattoman käynnistyksen estämiseksi. Ruohonleikkuri ei toimi lainkaan, kun turva-avain on poistettu siitä. Poista avain aina ennen kuin ryhdyt puhdistamaan tai huoltamaan ruohonleikkuria ja ennen kuin vaihdat terän.
- Jos jostakin syystä joudut kosketukseen akunesteen kanssa, huuhtelee se pois välittömästi vedellä ja hakeudu lääkäriin, mikäli akkuneustettä joutuu silmiin.



Kunnossapito ja säilytys

- Säilytä leikkuria kuivassa paikassa, kun se ei ole käytössä. Poista turva-avain ja säilytä se lasten ulottumattomissa.
- Älä käytä puhdistusaineita puhdistuaksesi leikkuria, vaan käytä muoviraaputinta tai vastaavaa poistaaksesi lian ja ruohon. Poista turva-avain aina ennen puhdistusta.
- Älä koskaan lataa tai säilytä konetta ulkona.
- Älä koskaan käytä konetta, mikäli jokin sen osa on vahingoittunut. Korjaa tai vaihda viallinen osa ennen käyttöä.
- Oman turvallisuutesi vuoksi vaihda kuluneet tai vialliset osat.
- Kiristä leikkurin ruuvit ja mutterit.
- Käytä ainoastaan Black & Deckerin suosittelemia varaosia ja tarvikkeita.

Black & Decker pyrkii jatkuvasti kehittämään tuotteitaan. Pidätämme oikeuden muuttaa tuotetietoja ilman ilmoitusta.

Ominaisuudet (kuva A)

- A** Black & Deckerin ruohonleikkurissa on korkea laatu yhdistetty nykyaikaiseen muotoiluun, ja seuraavat ominaisuudet takaavat varman, tehokkaan sekä mukavan leikkuuhetken.
- Ladattava. Ei jatkojohtoja häiritsemässä leikkuuta.
 - Ei bensiniä. Bensiniä ja öljyä ei tarvitse sekoittaa, varastoida tai kuljettaa, koska kone ei tarvitse niitä.
 - Ei pakokaasuja tai muita saasteita leikkuun aikana.
 - Ladattavat akut – luotettavaa tehoa.
 - Helppo käynnistää. Käynnistyy ensimmäisellä kerralla - aina.
 - Virrankatkaisijayksikkö sekä turva-avain ovat erityisesti suunniteltuja estämään tahattoman käynnistyksen.
 - Ergonominen ylöspäin kääntyvä työntökahva takaa hyvän otteen leikkurista.
 - Teräjarru lisää turvallisuutta. Terä lakkaa pyörimästä 3:ssa sekunnissa siitä, kun virrankatkaisijan kahvasta on päästetty irti.
 - Suuret mutterit työntökahvassa varmistavat helpon kiinnityksen ja kahva on helppo taistaa kokoon säilytystä varten.
 - 14:stä leikkuukorkeudesta löytyy aina oikea korkeus tilanteeseen kuin tilanteeseen.
 - Ruohonleikkurin pyörät pyörivät 360^o, minkä ansiosta voit leikata nurmikkoa aivan reunaan asti ja myös esteiden ympäri.
 - Takapyörät voidaan lukita, jolloin nurmikkoa voidaan leikata aivan suoraan.
 - Helposti irrotettava kokooja.
 - Kestävä muovi pinnalla kestää kauan, ei ruostu ja varmistaa alhaisen tärinän ja äänen.
 - Voimakas ja tehokas magneettimoottori takaa tehokkaan leikkuun ja hiljaisen käyntiäänän.

Pakkauksen sisältö

Pakkaus sisältää:

- 1 Ruohonleikkurin runko
- 1 Työntöaisa (3-osainen)
- 1 Kokooja (2-osainen)
- 1 Työkalu terän kiristämiseen/puhdistukseen
- 1 Ruuvitaltta
- 1 Akku
- 1 Akkusuojaus
- 1 Laturi
- 1 Varmuusavain
- 1 Varusulake



SUOMI

- 2 Siipimutterit
- 2 Aluslaatat
- 2 Muotoillut aluslaatat
- 2 Ylemmän työntöaisan pultit
- 2 Alemman työntöaisan pultit
- 5 Kokoojan ruuvit
- 2 Johdonpuristimet
- 1 Käyttöohje
 - Pura kaikki osat pakkauksesta varovaisesti.

Työntöaisan asennus

- Aseta ruohonleikkurin pyörät lujalle ja tasaiselle alustalle.
- B1** • Työnnä työntöaisan tangot aukkoihin kuvan B1 osoittamalla tavalla siten, että kaari saa ne laajenemaan yläosasta.
- Lukitse tangot pulteilla ja muotoillulla aluslaatala kuvan mukaisesti. Kiristä pultti tiukasti mukana toimitetun ruuviavaimen avulla.
- B2** • Aseta ylempi U-muotoinen työntöaisan tanko tankoihin kuvan mukaisesti.
- B3** • Lukitse ylempi työntöaisan tanko pultteja, aluslaattoja ja siipimuttereita käyttämällä.
- Kiinnitä johdot työntöaisaan mukana toimitettujen puristimien avulla.



Älä käytä siipimuttereiden kiristämiseen työkaluja.

Kokoojan asennus (kuva C)

Kokooja toimitetaan kahdessa osassa. Kokoa se seuraavasti:

- C1** • Kohdista kokoojan kaksi puoliskoa toisiinsa kuvan osoittamalla tavalla.
- Kiinnitä puoliskot toisiinsa viidellä ruuvilla mukana toimitetun ruuvitaltan avulla.

Kokoojan asennus ruohonleikkuriin:

- C2** • Nosta takaläppää ja aseta kokooja paikoilleen ripustuskoukkuihin.
- Päästä irti läpistä. Kokooja pysyy nyt paikallaan.

Kokoojan irrotus ruohonleikkurista:

Poistaaksesi täysinäisen kokoojan nosta takaläppä, poista kokooja, ja aseta se nurmikolle.

Laske takaläppä varovasti alas, jotta voit nostaa täysinäisen kokoojan kummallakin kädellä.

Akun kannen kiinnitys

- C3** • Kokoa akun kansi kiinnittämällä sarana nro 1 ruohonleikkuriin ja sen jälkeen sarana nro 2.

Akun hihnan kiinnitys

- C4** • Ota esille akku ja sen kantohihna.
- Kiinnitä akun hihna kuvan osoittamalla tavalla.
- Hihnan tulisi aina olla kiinnitettynä akkuun.

Akku

- Akku on suljettu lyijyhappoakku. Siksi sitä voidaan säilyttää missä asennossa vaan ilman vaaraa vuotamisesta.



Akku on ladattu tehtaalla, mutta sitä täytyy ladata vähintään 30 tuntia ennen jokaista käyttökertaa, jotta se olisi täydessä latauksessa.

- Jotta akun teho pysyisi mahdollisimman hyvänä, lataa se täyteen joka leikkukerran jälkeen.
- **Tarkista ennen talvisäilytystä, että:**
 - **Leikkuri on ladattu täyteen ennen säilytystä.**
 - **Säilytyspaikan lämpötila on alle 25°C.**
 - **Talvisäilytys ei kestä 6 kuukautta kauempaa.**
- Säilytä leikkuri aina viileässä ja kuivassa paikassa.
- Säilytä leikkuri ja akku poissa veden, lämmönlähteiden (lämpöpattereiden, lämmittimien, uunien jne.), tulen ja kemiallisten aineiden läheisyydestä.

Latausohjeita



- Lataa leikkuri aina sisällä kuivassa ja hyvin ilmastoidussa tilassa.
- Lataa leikkuri +5°- +40°C lämpötilassa.



Varoitus! Älä yritä ladata ei-ladattavia akkuja.

Lataus

- Ruohonleikkurin akku voidaan ladata sen olleessa kiinni leikkurissa tai, mikäli pistoketta ei ole lähetyillä, se voidaan ladata muualla.



Akun lataaminen RUOHONLEIKKURISSA

- Poista turva-avain ja laita se talteen lasten ulottumattomille.
- Avaa akun suoja työntämällä nuppia, ja nosta suoja ylös.
- Irrota akkujohto (punainen ja musta) vetämällä se irti kontaktista akun sivulla.
- Laturin punainen ja musta pistoke liitetään akun punaiseen ja mustaan pistokkeeseen.

Huom! Laturi voidaan liittää vain yksin päin.

- Liitä laturi virtalähteeseen ja kytke virta päälle.
- Laturissa oleva punainen merkkivalo syttyy. Tämä on merkki siitä, että akku latautuu.

Kaksivaloinen laturi

- Kun akku on lataantunut (tavallisesti 24-30 tunnin kuluttua), punainen merkkivalo sammuu ja vihreä merkkivalo syttyy.
- Akku voidaan huoletta jättää lataukseen, kunnes se otetaan käyttöön.

Kun lataaminen on päättynyt

- Irrota laturi akusta ja kiinnitä akun kontaktit ruohonleikkuriin.
- Ruohonleikkurisi on nyt käyttövalmis.

Akun lataaminen MUUALLA

- Poista turva-avain ja avaa akun suoja kuten yllä on esitetty ja irrota akun johto.
- Nosta akku pois leikkurista hihnan avulla.
- Lataa kuten yllä on selostettu.
- Kun akku on ladattu, laita se takaisin leikkuriin ja kiinnitä akun kontaktit ruohonleikkuriin.

Akkujen hävitys

Vaihtaessasi akun uuteen aja se ensin täysin tyhjäksi niin, että leikkuri pysähtyy. Poista akku leikkurista.



Varoitus! Vaikka moottori ei käy, voi akussa siitä huolimatta olla latausta jäljellä. Varo, etteivät akun navat aiheuta oikosulkuja jonkin sähköä johtavan työkalun tai materiaalin kanssa.

Akut tulee hävittää asianmukaisesti.



Tämä symboli tarkoittaa, että tässä tuotteessa on lyijyhappoakku, joka tulee hävittää ympäristöystävällisellä tavalla. Älä koskaan heitä sitä pois tavallisten roskien mukana.



Lyijyhappoakut ovat vaarallisia ympäristölle, ja ne voivat räjähtää altistuttuaan tulelle.
Ei saa polttaa!

Akku voidaan jättää valtuutettuun Black & Deckerin huoltoiliikkeeseen tai paikkakuntasi kierrätyspisteeseen.

Mikäli leikkuuteho laskee, noudata kappaleen "Vian etsintä" ohjeita.



Varoitus! On erittäin tärkeää uutta akkua asennettaessa, että punainen johto liitetään punaiseen napaan ja musta johto mustaan napaan.

Leikkurin käyttö (kuva E)

Tärkeää! Huomioi kaikki varoitukset ennen koneen käyttöä.



Varoitus! Älä koskaan työnnä leikkuria vain yhdellä kädellä, vaan pidä aina molemmat kädet työntökahvalla.



Turva-avain

- Turva-avain estää leikkurin tahattoman tai asiattoman käynnistyksen. Ilman turva-avainta leikkuria ei voi käyttää.
- Käytä koneessa aina toimitukseen sisältyvää kokoojaa.



Varoitus! Poista turva-avain aina, kun konetta ei voida käyttää. Myös, vaikka se on vain hetkisen vahtimatta.

- Turva-avain löytyy tarvikepussista, (mukana myös ylimääräinen sulake.)

Käynnistys

- Laita turva-avain kunnolla paikoilleen pohjaan asti.
- Paina työntökahvaa alaspäin ja nosta leikkurin etupäätä hieman välttyäksesi vahingoittamasta nurmikkoa. Paina virrankatkaisijan laatikossa olevaa turvanappia ja vedä virrankatkaisijan kahvaa samalla itseäsi kohti. Kone käynnistyy ja voit päästää irti turvanapista. Laske ruohonleikkuri oikeaan leikkuuasentoonsa ohjaten sitä kummallakin kädellä.
- Sammuta kone päästämällä irti virrankatkaisijan kahvasta, jolloin se palautuu kuoren sisään.

Ruohonleikkurin pyörät kääntyvät 360°, mikä helpottaa ohjattavuutta. Takapyörät voidaan lukita, jolloin nurmikkoa voidaan leikata aivan suoraan. Toimi seuraavasti:

E2

- Työnnä ruohonleikkuria eteenpäin, kunnes kaikki pyörät pyörivät kohti leikkurin takaosaa.

E3

- Vedä ruohonleikkurin vasemmalla puolella olevaa lukitusvipua, kunnes vipu lukkiutuu.

E4

- Avaa pyörät lukituksesta painamalla vapautusnappia alaspäin.



E5

- Jos vipu lukkiutuu mutta takapyörät eivät, vapauta vipu, kierrä johdon säädintä auki yhden kierroksen verran ja lukitse vipu uudestaan. Toista, kunnes pyörät lukkiutuvat kunnolla paikoilleen.

Ruohonleikkuri jatkaa toimintaansa niin kauan kuin pidät kiinni virrankatkaisijan kahvasta. Sammuta leikkuri vapauttamalla virrankatkaisijan kahva.

Leikkatuasi nurmikon suosittelimme leikkurin puhdistamista ennen varastoon laittamista ja lataamista. Katso kappale "Huolto ja ylläpito".

Huom! Saadaksesi parhaimman tuloksen leikkaa nurmikko säännöllisesti. Älä koskaan leikkaa kosteaa tai märkää nurmikkoa.

Mikäli koneesta putoaa ruohoa leikatessa, on kokooja täynnä ja se tulee tyhjentää.

Liikuteltavuus (kuva D)

Tämän ruohonleikkurin pyörät pyörivät 360°, minkä ansiosta sitä on helppo liikutella puiden, pylväiden sekä muiden esineiden ympäri. Sen avulla myös kukkapenkkin reunat voidaan leikata tarkasti.

Täysi liikkuvuus saavutetaan vapauttamalla takapyörien lukitusmekanismi työntämällä vapautusnappia alaspäin.

Leikkuukorkeuden säätö (kuva F)

Varoitus! Poista turva-avain ennen kuin ryhdyt tekemään mitään säätöjä ja odota, että terä lakkaa pyörimästä: terät ovat erittäin teräviä.

F1

- Käännä vipu ulospäin ja pidä siitä lujasti kiinni.
- Kierrä säätöruuvia vivun avulla, kunnes haluttu leikkuukorkeus on saavutettu.
- Päästä vipu takaisin, niin että säätöruuvi lukittuu paikalleen.

Huom: Pidemmän tai epätasaisen nurmikon kohdalla (etenkin leikattaessa ensimmäistä kertaa kauden alussa): käytä ensin korkeampaa korkeusasetusta ja lopeta leikkaamalla toisen kerran halutulla korkeusasetuksella.

Terän huolto

Terä on suunniteltu jättämään hienon leikkuujäljen sekä pitkään että paksuun nurmikkoon.

Mikäli leikkuujälki huononee terän vahingoittumisen tai kulumisen myötä, tulee se vaihtaa tai teroittaa.

Suosittelimme terän vaihtoa tai hiomista jokaisen sesongin alussa.

Uusia teriä saa Black & Deckerin jälleenmyyjiltä tai valtuutetuilta huoltoliikkeiltä.

SUOMI



Varoitus! Vaihtaessasi terää käytä ainoastaan alkuperäisteriä. Älä koskaan käytä muunlaisia teriä.

Terän vaihto (kuva G)



Huomioi kaikki varoitukset ennen terän vaihtoa.

Varoitus! Poista turva-avain ennen terän vaihtoa.

G

- Käännä kone kyljelleen siten, että leikkuuterä näkyy.
- Laita paksu kangas terän päälle tai käytä paksuja hansikkaita ja ota kiinni terästä. Käännä moottorin karassa olevaa mutteria vastapäivään ruuviavaimella ja ota se pois.
- Terä voidaan nyt vaihtaa ja aluslevy ja mutteri laittaa paikoilleen.

Huom! Joissakin malleissa on käytetty aluslevyä pultin ja terän välillä. Aluslevy tulee aina laittaa takaisin paikalleen teränvaihdon jälkeen.

Ylikuormitussuoja (kuva H)

- Koneessa on ylikuormitussuoja. Jos leikkurilla ajetaan liian kovaa pitkässä nurmikossa tai leikkuuolosuhteet ovat vaikeat, voi moottori ylikuormittua. Mikäli näin tapahtuu, turva-avaimen sulake palaa ja leikkuri pysähtyy.
- Tämä ei ole vika vaan leikkurin suojausmekanismi.
- Jos näin tapahtuu, poista turva-avain ja tarkista sulakelanka. Jos lanka on rikki, sulake on palanut ja se täytyy vaihtaa uuteen. Tarvikepakkauksessa on varasulake. Sulakkeita voimyoä ostaa valtuutetusta Black & Deckerin huoltoliikkeestä.

H

Saadaksesi parhaimman tuloksen:

- Leikkaa nurmikko säännöllisesti.
- Älä koskaan leikkaa märkää nurmikkoa.
- Jos nurmikko on yli 10 cm pitkä, leikkaa ensin korkeimmalla korkeusasetuksella ja sen jälkeen haluamallasi korkeusasetuksella.



Huolto ja ylläpito

Seuraavat ohjeet koskevat ruohonleikkurin hoitoa yleisesti. Terää koskevia kysymyksiä käsitellään otsikon "Terän huolto" alla. Akun huolto- ja säilytysohjeita annetaan otsikon "Akku" alla.

- Puhdista koneesta aina vanhat leikkuujätteet, erityisesti koneen alta ja ilmaventtiileistä.
- Suosittelemme kiinnijuuttuneen ruohon irrottamista muoviraaputtimella tai vastaavalla jokaisen leikkuukerran jälkeen.
- Puhdista kaikki muoviosat kostealla rievulla.
- **Huom!** Älä käytä liuotusaineita tai muita voimakkaita kemikaaleja, jotka voivat vahingoittaa leikkurin muovipintoja.

Parhaimman tuloksen saamiseksi

- Kun leikkaat pitkää ruohoa, asenna ruohonleikkuri korkeimpaan leikkuukorkeuteen.
- Lataa akku täyteen ennen ensimmäistä käyttökertaa.

Vianetsintä

Mikäli leikkuri ei toimi kunnolla, käytä seuraavaa taulukkoa apunasi etsiessäsi vikaa.

Ongelma	Toimenpide
Kone ei käynnisty.	(a) Tarkista turva-avain. (b) Poista turva-avain. Käännä kone kyljelleen ja tarkista, että terä pyörii vapaasti. (c) Tarkista, että akku on täynnä. (d) Tarkista, ettei sulake ole palanut.
Kone pysähtyy leikatessa.	(a) Poista turva-avain. Käännä kone kyljelleen ja tarkista, että terä pyörii vapaasti. (b) Nosta leikkuukorkeutta. (c) Tarkista, että akku on täynnä. (d) Tarkista turva-avaimen sulake. Mikäli sulake on palanut, tulee se vaihtaa.
Ruohonleikkuri käy, mutta leikkausjälki on huonoa.	(a) Tarkista akun teho. (b) Akku tarvitsee vaihtaa. (katso "Akkujen hävitys").
Leikkuri on raskas.	(a) Nosta leikkuukorkeutta. Tarkista, että pyörät pyörivät vapaasti.
Kone tärisee ja pitää kovaa meteliä.	(a) Poista turva-avain. Käännä kone kyljelleen ja tarkista, ettei terä ole vahingoittunut. Mikäli näin on käynyt, vaihda tilalle uusi alkuperäisterä.

(b) Mikäli mitään näkyvää vikaa ei ole, ota yhteyttä valtuutettuun Black & Decker -huoltoliikkeeseen.



Varoitus! Poista turva-avain aina ennen kuljetusta tai tarkastusta.

Ympäristö

Kone



Kun koneesi on käytetty loppuun, älä heitä sitä tavallisten roskien mukana pois, vaan vie se paikkakuntasi kierrätyskeskukseen tai jätä valtuutettuun Black & Deckerin huoltoliikkeeseen.

Akut



Black & Deckerin akut voidaan ladata useita kertoja. Suojele luontoa viemällä loppuunkäytetyt akut niille tarkoitettuun keräyspaikkaan tai -astiaan.

- Käytä akku täysin loppuun ja poista se sitten työkalusta.
- Akut ovat kierrätettäviä. Voit viedä ne niille tarkoitettuun keräysastiaan tai paikalliseen kierrätyskeskukseen. Kerätyt akut toimitetaan kierrätykseen ja käsitellään asianmukaisesti.

Takuu

Black & Decker Oy takaa, ettei koneessa ollut materiaali- ja/tai valmistusvikaa silloin, kun se toimitettiin ostajalle. Takuu on lisäyksen kuluttajan laillisiin oikeuksiin eikä vaikuta niihin. Takuu on voimassa Euroopan Unionin jäsenmaissa ja Euroopan vapaakauppa-alueella (EFTA).

Mikäli Black & Decker -kone hajoaa materiaali- ja/tai valmistusvirheen tai teknisten tietojen epätarkkuuden vuoksi 24 kk:n kuluessa ostopäivästä, Black & Decker korjaa koneen ilman kustannuksia ostajalle tai vaihtaa sen uuteen Black & Decker Oy:n valinnan mukaan.

Takuu ei kata vikoja, jotka johtuvat koneen

- normaalista kulumisesta
- ylikuormituksesta, virheellisestä käytöstä tai hoidosta
- vahingoittamisesta vieraalla esineellä tai aineella tai onnettomuustapauksessa.

Takuu ei ole voimassa, mikäli konetta on korjannut joku muu kuin Black & Deckerin valtuuttama huoltoliike.



SUOMI

Edellytyksenä takuun saamiselle on, että ostaja jättää koneen ja ostokuitin jälleenmyyjälle tai

valtuutetulle huoltoliikkeelle viimeistään 2 kuukauden kuluessa vian ilmenemisestä. Tiedot valtuutetuista huoltoliikkeistä saa ottamalla yhteyttä Black & Decker Oy:hyn sekä internetistä osoitteesta www.2helpU.com, jossa on myös takuehdot.

Korjaukset / varaosat

Mikäli koneeseen tulee vikaa, jätä se aina Black & Deckerin valtuuttamaan huoltoliikkeeseen korjattavaksi (tiedot löytyvät uusimmasta tuoteluettelostamme tai ottamalla yhteyttä Black & Decker Oy:hyn). Varaosia myyvät valtuutetut Black & Deckerin huoltoliikkeet, ja heiltä voi myös pyytää kustannusarvion koneen korjauksesta.

Tiedot valtuutetuista huoltoliikkeistä löytyvät myös internetistä osoitteesta www.2helpU.com sekä kotisivuiltamme www.blackdecker.fi.

Muita puutarhatyökaluja

Black & Deckerillä on laaja valikoima puutarhakoneita, jotka tekevät puutarhan hoidon helpoksi. Lisätietoja alla olevista tuotteista saat Black & Deckerin jälleenmyyjältä tai kotisivuiltamme www.blackdecker.fi.

Sammaleenpoistajat
Pensasleikkurit
Ketjusahat
Puutarhanpuhdistaja
Nurmikonviimeistelijät
Ruohonleikkurit
Oksasilppurit

CE-vaatimustenmukaisuusvakuutus

GFC1234/GFC1238/GFC2438

Black & Decker vakuuttaa, että nämä työkalut ovat:

98/37/EC, 89/336/EEC, 73/23/EEC,
EN 55014, EN 60335, EN 61000,

2000/14/EC, ruohonleikkuri, L ≤ 50 cm,
Annex VIII, No. 0086, mukaiset.

B.S.I., HP2 4SQ, Iso-Britannia

Melutaso, mitattu 2000/14/EC:n mukaisesti:

L_{pA}	(äänenpaine)	dB(A)	79
L_{WA}	(ääniteho)	dB(A)	93
L_{WA}	(taattu)	dB(A)	96

Tärinätaajuuden painotettu geometrinen keskiarvo EN 50144 mukaisesti:

Brian Cooke

Director of Engineering
Spennymoor, County Durham DL16 6JG,
United Kingdom
1-12-2001

Oppladbar gressklipper

Bruksanvisning

Gratulerer!

Takk for at du valgte en Black & Decker oppladbar gressklipper.

Denne bruksanvisningen inneholder viktige drifts- og vedlikeholdsinstruksjoner for alle gressklippere i Black & Deckers utvalg av oppladbare gressklippere.

Lær og kjenne din maskin



Les hele bruksanvisningen nøye og merk deg alle sikkerhetsinformasjonene før, under og etter bruk av maskinen. Hold alltid maskinen i god stand.



Gjør deg kjent med alle brytere før du bruker maskinen. Vær særskilt nøye med at du vet hvordan du stanser maskinen før du starter den.

Oppbevar bruksanvisningen for senere bruk.

Sikkerhetsinstruksjoner

Opplæring

- La ikke barn eller andre ukyndige bruke denne gressklipperen dersom de ikke kjenner til bruken. Alle som bruker maskinen skal lese bruksanvisningen før bruk.



Sjekk at barn, voksne eller dyr ikke finnes i nærheten når du arbeider med maskinen - de skal være minst 6m unna arbeidsområdet.

- Husk at operatøren/brukeren er ansvarlig for ulykker og farer som oppstår ovenfor andre personer eller deres eiendom.

Forberedelse

- Bruk skikkelig fottøy slik at dine ben er beskyttet. Man kan skli på nyklippet gress da dette er fuktig.
- Bruk ansiktsmaske under støvete forhold.
- Bruk ikke maskinen i eksplosive miljøer.
- Klipp ikke om du er barfot eller har åpne sandaler.
- Bruk langbukser for å beskytte benene. Ting som kan ligge i gresset kan slynges ut fra maskinen.
- Sørg alltid for at maskinen er i ordentlig stand.
- Før du bruker gressklipperen, fjern sikkerhetsnøkkelen og kontroller at kniven og andre roterende deler er i orden. Defekte kniver og slitte bolter kan forårsake store skader. Kontroller at kniven sitter skikkelig fast.
- Pass på at det området som skal renses er fritt for grener, sten, ståltråd og annet som



kan skade maskinen. Kontakt med slike gjenstander kan være farlig eller kan skade maskinen, og kan slynges ut av knivene.

- Sjekk gressoppsamleren ofte for slitasje og skade.

Drift

- Når håndtaket vippes bakover (eller til siden) for å starte gressklipperen, vipp ikke mer enn helt nødvendig. Sørg alltid for at begge hender er i arbeidsposisjonen og at føtter er godt unna knivene, før du setter gressklipperen tilbake på bakken og begynner å klippe med begge hender.
- Unngå ukontrollert start. Kontroller at strømbryteren /håndtaket er i av-posisjon når du setter i sikkerhetsnøkkelen.



Knivene vil fortsette og rotere en kort tid etter at du har slått av maskinen. La alltid knivene stoppe av seg selv.

- Slipp strømbryteren for å slå av maskinen og fjern sikkerhets-nøkkelen når:
 - Du forlater maskinen.
 - Før kontroll, rengjøring eller arbeid med maskinen.
 - Du fjerner en blokkering.
 - Gressklipperen begynner å vibrere unormalt.
 - Gressklipperen har truffet et fremmedlegeme. Sjekk at maskinen ikke er blitt skadet.
- La aldri maskinen gå dersom den ligger på siden. Forsøk heller ikke å stoppe kniven, den skal alltid stoppe av seg selv.
- Ha aldri hender eller føtter i nærheten av de roterende delene.
- Hold deg unna utløpsåpninger til enhver tid.
- Hvis mulig, unngå å bruke maskinen i regnvær eller når gresset er våt.
- Klipp kun når det er dagslys eller god belysning.
- Dra ikke gressklipperen mot deg eller gå baklengs når du klipper.
- Kjør ikke gressklipperen over hageganger eller kanter når kniven roterer.
- Ha alltid godt fotfeste, spesielt i skråninger.
- Klipp alltid på tvers av skråninger, aldri opp og ned. Vær ekstra forsiktig når du skifter retning ved skråninger.
- Klipp ikke i for bratte skråninger og bruk alltid stødige sko.





- Kontroller oppsamleren regelmessig slik at den alltid er i god stand, og bytt ut hvis nødvendig.
- Gå, løp aldri. Press ikke gressklipperen.
- Bær ikke gressklipperen mens motoren er igang.
- Kontroller alltid at bladene har sluttet å rotere når du skal flytte gressklipperen.
- Ved transport - fjern alltid sikkerhetsnøkkelen, juster høydeinnstillingen til midtstilling og vær forsiktig når du løfter.
- Bruk aldri gressklipperen med defekte vern.
- For å hindre utilsiktet oppstart, følger det med en avtagbar sikkerhetsnøkkel. Gressklipperen vil være helt avslått når denne sikkerhetsnøkkelen er fjernet fra gressklipperen. Fjern alltid nøkkelen under rengjøring og vedlikehold, og spesielt når du bytter kniver.
- Hvis du av en eller annen grunn kommer i kontakt med batterielektrolytt, skylk umiddelbart med vann. Kontakt lege hvis den kommer i kontakt med øynene.



Vedlikehold og oppbevaring

- Når du ikke bruker gressklipperen, oppbevar den på et tørt sted og fjern sikkerhetsnøkkelen. Må oppbevares utilgjengelig for barn.
- Bruk ikke løsningsmidler eller rengjøringsmidler når du rengjør gressklipperen, men bruk en plastskrape eller noe liknende for å fjerne gress og smuss. Fjern alltid sikkerhetsnøkkelen før rengjøring.
- Gressklipperen må aldri lades eller oppbevares utendørs.
- Bruk aldri gressklipperen hvis en del av den er defekt. Kast alle defekte deler og monter nye før bruk.
- For din egen sikkerhet, reparer eller bytt ut ødelagte deler.
- Trekk til alle muttere, bolter og skruer ordentlig for å være sikker på at gressklipperen fungerer ordentlig.
- Bruk kun reservedeler og tilbehør som er anbefalt av Black & Decker.

Black & Decker arbeider kontinuerlig for å forbedre sine produkter og forbeholdes derfor retten til å endre produktspesifikasjoner uten forhåndsvarsel.

Egenskaper (Fig. A)

A I Black & Decker har høy kvalitet blitt kombinert med moderne design og utstyr for å gi sikker, effektiv og behagelig gressklipping.

- Ledningsfri. Den trenger ingen skjøteledning ved gressklipping.

- Bensinfri. Det trengs ikke å blande bensin eller olje, ingen transport eller oppbevaring av disse.
- Ren. Det blir ingen avgasser eller andre forurensninger ved klipping.
- Oppladbare batterier – gir pålitelig kraft.
- Lettstartet. Starter første gangen - hver gang.
- Strømbryteren og sikkerhetsnøkkelen er spesialdesignet for å hindre uønsket start.
- Ergonomisk oppsvinget håndtak for behagelig grep.
- En knivbrems for ekstra sikkerhet. Stopper knivene innen 3 sekunder så snart spaken utløses.
- Store mutre på håndtaket for enkel montering og sammenfelling ved oppbevaring.
- 14 høyder med klippeposisjoner som gir fleksibilitet for å kunne hanskes med de fleste gresstilstander.
- Gressklipperen har hjul som kan roteres 360°. Dette gir maksimal manøvrering slik at man kan klippe helt opp til gresskanter og rundt hindringer.
- Bakhjulene kan låses for presis og rett klipping.
- Enkelt å fjerne gressoppsamlingsboks.
- Hard plast gir lang levetid, ruster ikke og bidrar til lave vibrasjoner og lyd.
- Kraftig og effektiv motor som klipper og samler opp under alle tenkelige forhold med lavt støynivå.

Innhold i kartongen

Kartongen inneholder:

- 1 Hovedenhet
 - 1 Håndtak (3 deler)
 - 1 Gressoppsamler (2 deler)
 - 1 Skrunøkkel/skraper
 - 1 Skrutrekker
 - 1 Batteri
 - 1 Batterilokk
 - 1 Lader
 - 1 Sikkerhetsnøkkel
 - 1 Ekstra sikring
 - 2 Vingemutre
 - 2 Flate skiver
 - 2 Formede skiver
 - 2 Skruer til øvre håndtak
 - 2 Skruer til nedre håndtak
 - 5 Skruer til gressoppsamler
 - 2 Kabelklemmer
 - 1 Bruksanvisning
- Pakk forsiktig ut alle delene.



Montere håndtaket

- Sett hjulene til gressklipperen på et fast og jevnt underlag.
- B1**
- Stikk håndtakskaftene inn i åpningene som vist i fig. B1, slik at kurven får dem til å åpne seg mot toppen.
 - Fest hvert av skaftene med en skrue og en formet skive som vist. Fest skruen godt ved hjelp av medfølgende skrunøkkel.
- B2**
- Sett det U-formede øvre håndtaket inn på skaftene som vist.
- B3**
- Fest øvre håndtakskaft ved hjelp av skruene, skivene og vingemutrene, som vist.
 - Fest kablene til håndtaket ved hjelp av de medfølgende kabelklemmene.



Ikke stram vingemutrene ved hjelp av verktøy.

Montering av gressoppsamleren (Fig. C)

Gressoppsamleren kommer i to deler. Gjør slik for å montere sammen gressoppsamleren:

- C1**
- Hold de to halvdelene til gressboksen sammen, som vist.
 - Sett sammen halvdelene med de 5 skruene, ved bruk av medfølgende skrutrekkere.

Montere gressoppsamleren til gressklipperen:

- C2**
- Løft opp klaffen bak på gressklipperen og plasser gressoppsamleren på hengemekanismen.
 - Slipp klaffen for å holde gressoppsamleren på plass.

Ta gressoppsamleren av gressklipperen:

En full gressoppsamler kan tas av ved å løfte bakklaffen, løsne gressoppsamleren fra hengemekanismen og sett den på gresset. Bakklaffen kan senkes forsiktig slik at begge hender kan brukes til å tømme den fulle gressoppsamleren.

Montere batterideksel

- C3**
- Monter batteridekselet som følger med. Før hengsel nr. 1 inn i gressklipperchassiset og dytt deretter på plass hengsel nr. 2.

Feste batteristroppen

- C4**
- Ta frem batteriet og bærestroppen.
 - Monter batteriets bærestropp som vist.
 - Stroppen skal alltid være fastspenn på batteriet.

Batteriinformasjon

- Batteriet er et tett 12 Volts bly/syre batteri. Det kan lagres i alle posisjoner uten fare for lekkasje.



Batteriet lades opp ved fabrikken, men må lades opp i minst 30 timer før hver bruk for å være sikker på full lading.

- For å beholde den beste batterikapasiteten skal batteriet fullades etter hver bruk.
- **Ved vinteroppbevaring sjekk at:**
 - **Gressklipperen er fulladet før oppbevaring.**
 - **Temperaturen i oppbevaringsrommet er under 25°C.**
 - **For lengere levetid, lad batteriet en gang i løpet av vinteren.**
- Oppbevar gressklipperen på et kjølig og tørt sted.
- Oppbevar gressklipperen i god avstand fra vann, varme, (ovner, radiatorer, stråleovner etc.) ild eller kjemikalier.

Ladeinstruksjon



- Lad alltid gressklipperen på et tørt og godt ventilert sted.
- Lad kun gressklipperen i temperaturer mellom 5° og 40°C.



Advarsel! Forsøk ikke å lade batterier som ikke er ment for opplading.

Lading

- Gressklipperbatteriet kan lades på gressklipperen, eller kan tas av og lades på et annet sted dersom det er vanskelig å rekke frem til stikkkontakten.

Lade batteriet PÅ gressklipperen

- Fjern sikkerhetsnøkkelen (24) og lagre den på et trygt sted utilgjengelig for barn.
- Fjern batteridekselet (4) ved å trykke låsesymbolet på hver side av dekslet og løft opp dekslet.
- Kople fra batteriledningen (rød og sort) ved å trekke den ut av kontakten på siden av batterifordypningen.
- Den røde og sorte kontakten på laderen koples deretter til den røde og sorte kontakten på batteriet.

Merk: Laderkontakten vil kun passe en vei.

- Kople laderen til stikkkontakten og slå på.
- Den røde indikatoren på laderen vil lyse. Dette indikerer at batteriet lades.

Lader med to lys

- Når batteriet er oppladet, normal tid 24 til 30 timer, vil det røde lyset slukkes og det grønne lyset vil komme på.





NORGE

- Man kan trygt la batteriet sitte i laderen til det skal brukes.

Når opplading er fullført

- Kople laderen fra batteriet og kople batteriet til kontakten på gressklipperen.
- Gressklipperen er nå klar til bruk.

Lade batteriet AV gressklipperen

- Fjern sikkerhetsnøkkelen og batteridekselet som beskrevet ovenfor og kople fra batteriet.
- Løft batteriet ut av gressklipperen ved hjelp av bærehåndtaket.
- Lad opp som forklart ovenfor.
- Etter opplading setter du batteriet tilbake i gressklipperen og kople til gressklipperkontakten.

Batterifjerning

Når batteriet må byttes skal det først kjøres tomt, ved å kjøre gressklipperen til den stopper. Fjern batteriet fra gressklipperen.



Advarsel! Det kan, selv om motoren har sluttet å rotere, fremdeles finnes ladning igjen i batteriet. Vær derfor nøye med at polene ikke kortsluttes med noe ledende verktøy eller annet ledende materiale.

Batteriet må fjernes på en forsvarlig måte.



Dette symbolet betyr at bly/syre batteriet i dette produktet må fjernes på en miljøvennlig måte og aldri sammen med husavfall.



Bly/syre batterier kan være skadelig for miljøet og kan eksplodere om det utsettes for ild. **Må ikke brennes.**

Batteriet skal leveres til et autorisert Black & Decker serviceverksted eller til en kommunal kildesortering.

Om batterikapasiteten avtar, følg anvisningene under "feilsøking".



Advarsel! Når man monterer nytt batteri er det svært viktig at den røde ledningen er montert til den røde polen og den svarte ledningen er montert til den svarte polen.

Bruk (Fig. E)

Viktig! Observer alle relevante advarsler når maskinen brukes.



Advarsel! Kjør aldri maskinen bare med en hånd, ha alltid begge hendene på håndtaket.



Sikkerhetsnøkkel

- Er til for å hindre at maskinen ikke blir utilsiktet startet. Uten sikkerhetsnøkkelen på plass er det umulig å bruke gressklipperen.
- Bruk alltid gressoppsamleren som følger med.



Advarsel! Fjern alltid sikkerhetsnøkkelen når du forlater maskinen, også om det bare er for en kort stund.

- Sikkerhetsnøkkel din er å finne i pakken med deler (en ekstra sikring finnes også).

Start

- Sett sikkerhetsnøkkelen på plass.
- Senk håndtaket litt slik at maskinen tippes oppover. På denne måten skades ikke gressplenen ved start. Trykk ned sikkerhetsknappen på strømbryteren og hold den nede mens du drar spaken mot deg. Maskinen starter og sikkerhetsknappen slippes. Senk gressklipperen til korrekt klippeposisjon og begynn å klippe plenen. Bruk begge hender til å styre gressklipperen.
- For å slå av motoren slippes strømbryteren, som da automatisk går tilbake til hvilestilling i dekselet.

Merk: Gressklipperen har roterende hjul som kan roteres 360° for maksimal manøvreringsevne. Bakhjulene kan låses i posisjon for rett, presis klipping som følger:

E2
E3
E4
E5

- Dytt gressklipperen fremover til alle hjul peker fremover.
- Dra ut låsespaken på venstre side av gressklipperen til sperren tilkoples.
- For å låse opp hjulene, dytt utløserknappen fremover.
- Dersom spaken er fullstendig tilkople, men bakhjulene ikke er låst på plass, løs opp spaken, skru opp kabeljustering en dreining og kople tilbake spaken og sperren. Gjenta til hjulene er helt låst på plass.

Gressklipperen vil fortsette å klippe rett så lenge spaken er trykket inn.

Når klippingen er ferdig anbefaler vi at klipperen rengjøres før den settes til lading. Se "Stell og vedlikehold".

Obs! For å oppnå best mulig resultat så skal plenen klippes regelmessig, men aldri i regnvær eller når gresset er vått.

Hvis løst gress flyr ut fra undersiden av gressklipperen mens du klipper, er gressboksen antakeligvis full og må tømmes.

Manøvrering (Fig. D)

Gressklipperen har roterende hjul og kan derfor manøvreres rundt trestammer og andre objekter. Dette gir nøyaktig klipping rundt f.eks. blomsterbed.



For maksimal manøvrering, slipp opp bakhjulslåsen ved å dytte utløserknappen fremover.

Justere klippehøyden (Fig. F)

Advarsel! Fjern sikkerhetsnøkkelen før du justerer klippehøyden, og gi knivene tilstrekkelig tid til å stoppe. Knivene er skarpe.

F1

- Vipp hendelen utover, og hold den fast.
- Drei bryteren ved hjelp av hendelen til ønsket klippehøyde.
- Vipp hendelen tilbake for å låse bryteren.

Merk: For langt og ujevnt gress (spesielt i begynnelsen av sesongen), bruk først en høydeinnstilling og avslutte med den høydeinnstillingen du ønsker.

Vedlikehold av kniven

Kniven er konstruert for å gi et fint klippesnitt i både langt og tykt gress.

Dersom klippesnittet blir dårlig pga. at kniven er blitt skadet eller slitt, så skal denne slipes eller byttes.

Vi anbefaler at kniven ettersees evt. byttes eller slipes før hver sesong.

En ny kniv får du kjøpt hos din nærmeste Black & Decker forhandler eller serviceverksted.



Advarsel! Ved knivbytte, bruk alltid Black & Deckers originalkniv tilpasset din maskin. Ikke prøv å benytte en annen type kniv.

Bytte av kniv (Fig. G)



Observer alle relevante advarsler før skifte av kniv.

Advarsel! Fjern sikkerhetsnøkkelen før kniven skiftes.

G

- Snu maskinen slik at undersiden med kniven blir synlig.
- Bruk en fille over bladet eller ekstra kraftige hansker for å beskytte hendene dine og grip kniven. Bruk en skiftnøkkel for å løsne og fjerne mutteren fra motorspindelen. Vri mutteren mot urets retning for å løsne den.
- Du kan nå skifte kniven. Sett i en ny kniv etter markeringene på viftehjulet. Skru på mutteren og skiven og skru disse skikkelig fast.

Obs! Noen modeller har en brikke mellom bolten og kniven. Brikken skal alltid være montert på maskinen for å sikre at bolten og kniven sitter skikkelig fast.

Overbelastningsbeskyttelse (Fig. H)

- Maskinen er utstyrt med overbelastnings-beskyttelse. Dersom maskinen kjøres for fort i høyt gress eller under vanskelige forhold kan motoren bli overbelastet. Hvis dette skjer vil sikkerhetsnøkkelen sikring gå og dette vil føre til at maskinen stopper.
- Dette er ingen feil, men kun en beskyttelse for gressklipperen.
- Når dette skjer, fjern sikkerhetsnøkkelen og inspiser sikringskoblingen. Dersom det er brudd på koblingen, har sikringen gått og må erstattes med en ny sikring. En slik sikring følger med som en reservedel i din pakke med deler. Som et alternativ, kan du kjøpe en ny sikkerhetsnøkkel fra et hvilket som helst autorisert Black & Decker serviceverksted.

H

For å oppnå best mulig resultat:

- Klipp gresset regelmessig.
- Klipp aldri vått gress.
- Når gresset er lengre enn 10cm skal det først klippes i en høy posisjon, deretter i ønsket høyde.

Stell og vedlikehold

Følgende råd gjelder generelt vedlikehold av gressklipperen. Spørsmål om kniven behandles under "Vedlikehold av kniven". Råd vedrørende vedlikehold og oppbevaring av batteriet gis under "Batteriinformasjon".

- Hold alltid maskinen ren for gammelt gress, spesielt på undersiden og i luftventilene.
- Etter hver klipping anbefaler vi at gress som eventuelt har festet seg under maskinen løsnes med en plastskrape eller lignende. Den medfølgende skiftnøkkelen kan også benyttes.
- Rengjør alle plastdeler med en fuktig fille.
- **Obs!** Bruk ikke løsemiddel eller andre sterke kjemikalier som kan ødelegge overflaten på plastdelene.

Råd for optimalt resultat

- Still klipperen til høyeste klippehøyde ved klipping av langt gress.
- Lad batteriet helt opp før første gangs bruk.
- Lad opp batteriet umiddelbart etter bruk.
- Før du setter bort klipperen, må du lade batteriet helt opp.
- Ikke oppbevar gressklipperen eller batteriet ved ekstreme temperaturer.
- Hvis batteriet blir lagret over en lang periode, må det lades opp med jevne mellomrom.



NORGE

- Husk at etter langvarig oppbevaring oppnår ikke batteriet full kapasitet før etter flere utladings/ladingscykluser.

Feilsøking

Om maskinen ikke fungerer, bruk nedenstående tabell for å lokalisere feilen.

Problem	Prosedyre
Maskinen starter ikke	a) Kontroller sikkerhetsnøkkelen. b) Fjern sikkerhetsnøkkelen. Legg maskinen på siden og kontroller at kniven roterer fritt. c) Kontroller at batteriet er fulladet. d) Sjekk at sikringen ikke har gått.
Maskinen stopper under klipping	a) Fjern sikkerhetsnøkkelen og kontroller at kniven roterer fritt. b) Still klippehøyden høyere. c) Kontroller batterikapasiteten. d) Kontroller sikkerhetsnøkkelenes smeltetråd. Hvis denne er brutt, må nøkkelen byttes ut.
Gressklipperen går, men klipper dårlig.	a) Kontroller batterikapasiteten. b) Batteriet må byttes (se "Batterifjerning").
Klipperen går tungt	a) Øk klippehøyden. Kontroller at hjulene ruller fritt.
Vibrasjoner og høy lyd	a) Fjern sikkerhetsnøkkelen. Legg maskinen på siden og kontroller at kniven ikke er skadet. Om den er skadet bytt den ut med en ny originalkniv. b) Om det ikke finnes noen synlig skade, kontakt nærmeste autoriserte Black & Decker serviceverksted.



Advarsel! Fjern alltid sikkerhetsnøkkelen før transport eller kontroll.

Miljø

Verktøy



Når verktøyet ditt er utslitt, beskytt naturen ved ikke å kaste det sammen med vanlig avfall. Lever det til en oppsamlingsplass som finnes i din kommune eller der hvor du kjøpte verktøyet.

Batterier



Black & Decker batteriene kan lades mange ganger. Beskytt miljøet ved å levere kasserte batterier til en oppsamlingsplass beregnet for dette.

- Lad ut batteriene helt og ta de så ut av verktøyet.

- Batterier er gjenvinningsbare. Lever de til innkjøpsstedet eller din lokale gjenvinningsstasjon. Innleverte batterier gjenvinnes eller sendes til et egnet behandlingsanlegg.

Garanti

Black & Decker garanterer at produktet ikke har material- og/eller fabrikkasjonsfeil ved levering til kunde. Garantien er i tillegg til kundens lovlige rettigheter og påvirker ikke disse. Garantien gjelder innen medlemsstatene i den Europeiske Unionen og i det Europeiske Frihandelsområdet.

Hvis et Black & Decker produkt går i stykker på grunn av material- og/eller fabrikkasjonsfeil eller har mangler i forhold til spesifikasjonene, innen 24 måneder fra kjøpet, påtar Black & Decker seg å reparere eller bytte ut produktet med minst mulig vanskelighet for kunden.

Garantien gjelder ikke for feil som kommer av:

- normal slittasje
- feilaktig bruk eller vedlikehold (mislighold)
- at produktet har blitt skadet av fremmede gjenstander, emner eller ved et uhell

Det gjøres oppmerksom på at produktet ikke er beregnet på industriell/profesjonell/yrkesmessig bruk, men til hus- og hjemmebruk.

Garantien gjelder ikke om reparasjoner har blitt utført av noen andre enn et autorisert Black & Decker serviceverksted.

For å ta garantien i bruk skal produktet og kjøpekvittering leveres til forhandleren eller til et autorisert serviceverksted senest 2 måneder etter at feilen har blitt oppdaget. For informasjon om nærmeste autoriserte serviceverksted; kontakt det lokale Black & Decker kontoret på den adressen som er angitt i bruksanvisningen. En oversikt over alle autoriserte serviceverksteder samt servicevilkår finnes også tilgjengelig på Internet, adresse: www.2helpU.com.

Reservdeler / reparasjoner

Reservdeler kan kjøpes hos autoriserte Black & Decker serviceverksteder, som også gir kostnadsoverslag og reparerer våre produkter.

Oversikt over våre autoriserte serviceverksteder finnes på Internet, vår hjemmeside www.blackdecker.no samt www.2helpU.com.



Andre hageverktøy

Black & Decker har et bredt sortiment av verktøy for utendørsbruk som gjør arbeidet i hagen enklere. Kontakt nærmeste Black & Decker forhandler for ytterligere informasjon eller besøk vår hjemmeside: www.blackdecker.no.

Mosefjerner
Gressklippere
Hekksakser
Kjedesager
Gresstrimmere
Løvfjerner
Kompostkverner

Ikke alle produkter er tilgjengelige i alle land.

CE-sikkerhetserklæring

GFC1234/GFC1238/GFC2438

Black & Decker erklærer at disse verktøyer er konstruert i henhold til:

98/37/EØF, 89/336/EØF, 73/23/EØF,
EN 55014, EN 60335, EN 61000,

2000/14/EØF, Gressklipper, L ≤ 50 cm, Annex
VIII, No. 0086

B.S.I., HP2 4SQ, England

Lydnivået, målt i henhold til 2000/14/EØF:

L_{pA}	(lydnivå)	dB(A)	79
L_{WA}	(lydeffekt)	dB(A)	93
L_{WA}	(garantert)	dB(A)	96

Den veide geometriske middelveiden av
vibrasjonsfrekvensen i følge EN 50144:

Brian Cooke

Director of Engineering
Spennymoor, County Durham DL16 6JG,
United Kingdom
1-12-2001

Batteridrivna gräsklippare

Bruksanvisning

Grattis!

Du gjorde ett bra val när du köpte en Black & Decker batterigräsklippare.

Denna bruksanvisning innehåller viktiga drifts- och skötselanvisningar för alla Black & Deckers batteridrivna gräsklippare.

Lär känna Din maskin



Läs hela bruksanvisningen noggrant och observera all säkerhetsinformation före, under och efter användning av maskinen. Håll alltid maskinen i gott skick.

Bekanta Dig med alla reglage innan Du använder maskinen. Var särskilt noga med att Du vet hur man stannar maskinen innan Du startar den.

Förvara bruksanvisningen för framtida bruk.

Säkerhetsinstruktioner

Utbildning

- Tillåt aldrig barn eller någon annan person att använda denna maskin om dom inte känner till den. Alla som använder maskinen måste läsa bruksanvisningen först.



Se till att barn, vuxna eller djur inte finns i närheten när Du arbetar med maskinen - de skall vara minst 6m borta från arbetsområdet.

- Kom ihåg att operatören/användaren är ansvarig för olyckor eller risker som orsakas på andra människor eller deras egendom.

Förberedning

- Använd stadiga skor eller stövlar så att Dina fötter är skyddade. Man kan lätt halka på nyklippt gräs eftersom det är fuktigt.
- Om det är dammigt, använd ansiktsmask.
- Använd inte maskinen i explosiv miljö.
- Klipp inte om Du är barfota eller har öppna sandaler.
- Använd långbyxor för att skydda benen. Föremål i gräset kan slungas ut från maskinen.
- Se alltid till att maskinen är i säkert skick för användning.



- Innan Du använder maskinen, tag bort säkerhetsnyckeln och kontrollera att kniven och andra roterande delar är i bra skick. Defekta knivar och slitna bultar kan förorsaka stora skador. Kontrollera också att knivmuttern sitter fast ordentligt.
- Se till att arbetsområdet är fritt från grenar, sten, ståltråd och annat som kan skada maskinen eller slungas ut av knivarna. En skadad kniv eller en sliten knivmutter utgör en allvarlig risk och måste bytas. Kontrollera också att knivmuttern sitter stadigt.
- Kontrollera gräsuppsamlaren regelbundet för slitage eller skador.

Drift

- När du tappar handtaget nedåt (eller åt sidan) för att starta gräsklipparen, se till att det inte tippas mer än vad som är absolut nödvändigt. Se till att båda händerna är i startläge och att du inte står för nära knivarna när du tappar tillbaka gräsklipparen till klippläge. Börja klippa och styr gräsklipparen med båda händerna.
- Undvik oavsiktlig start. Kontrollera att strömbrytaren är avstängd när Du sätter i säkerhetsnyckeln.



Knivarna fortsätter rotera en kort tid efter att Du har stängt av maskinen. Låt alltid knivarna stanna av sig själva.

- Släpp strömbrytaren för att stänga av maskinen och tag bort säkerhetsnyckeln när:
 - Du lämnar maskinen obevakad.
 - Innan kontroll, rengöring eller arbete med maskinen.
 - Om gräsklipparen börjar vibrera onormalt (kontrollera då omedelbart).
 - Om gräsklipparen träffat ett främmande föremål. Kontrollera att maskinen inte skadats.
- Låt aldrig maskinen gå om den ligger på sidan mot marken. Försök ej heller att stoppa kniven, den skall alltid stanna av sig själv.
- Ha aldrig händer eller fötter nära eller under roterande delar.
- Håll dig alltid på avstånd från alla utsläppsöppningar.
- Undvik att använda maskinen under regn och undvik om möjligt vått gräs.





- Klipp endast när det är dagsljus eller god belysning.
- Drag inte gräsklipparen mot Dig eller gå baklänges när Du klipper.
- Kör inte gräsklipparen över trädgårdsgångar eller kanter när kniven roterar.
- Se alltid till att ha bra fotfäste, speciellt i sluttande terräng.
- Klipp alltid tvärs över sluttningar, aldrig upp och ned. Var extra försiktig när Du byter riktning i sluttningar.
- Klipp inte i för branta sluttningar och använd alltid stadiga skor.
- Kontrollera uppsamlaren regelbundet så att den alltid är i god kondition.
- Gå, spring aldrig. Tvinga inte gräsklipparen.
- Bär aldrig gräsklipparen när motorn är igång.
- Kontrollera alltid att bladen slutat rotera innan Du flyttar gräsklipparen.
- Vid transport - Tag alltid bort säkerhetsnyckeln, justera höjdställningen till mittenläge och var försiktig när Du lyfter.
- Använd aldrig gräsklipparen om skyddet är skadade.
- För att undvika att gräsklipparen startar oavsiktligt är gräsklipparen utrustad med en löstagbar säkerhetsnyckel. När denna nyckel avlägsnas är gräsklipparen fullständigt obrukbar. Tag alltid bort säkerhetsnyckeln vid rengöring eller underhåll och särskilt vid knivbyte.
- Om du av någon anledning kommer i kontakt med batterielektrolyten, skölj omedelbart med vatten och sök läkarhjälp om du fått elektrolyt i ögonen.



Underhåll och förvaring

- När Du inte använder gräsklipparen, förvara den på ett torrt ställe och tag bort säkerhetsnyckeln. Förvara den utom räckhåll för barn.
- Använd inte rengöringsmedel när Du gör rent gräsklipparen utan använd en plastskrapa eller liknande för att ta bort gräs och smuts. Tag alltid bort säkerhetsnyckeln innan rengöring.
- Ladda eller förvara aldrig maskinen utomhus.
- Använd aldrig gräsklipparen om någon del är skadad.
- Reparera eller byt ut skadade delar innan användning.
- För Din säkerhet - Byt ut utslitna eller skadade delar.
- För Din säkerhet - Drag åt muttrar och skruvar på gräsklipparen.

- Använd endast reservdelar och tillbehör som är rekommenderade av Black & Decker.

Black & Decker driver en policy för kontinuerliga förbättringar av produkterna. Vi förbehåller oss därför rätten att förändra produktspecifikationerna utan varsel.

Utrustning (Fig. A)

- A** I Black & Deckers har hög kvalitet kombinerats med modern design och följande utrustning för att ge säkra, effektiv och bekväm gräsklippning.
- Sladdlös. Det behövs inte någon förlängningssladd vid gräsklippning.
 - Ingen bensin. Det behövs ingen bensin eller olja att blanda, transportera eller förvara.
 - Det blir inga avgaser eller andra föroreningar under klippning.
 - Laddningsbara batterier – för en driftsäker kraft.
 - Lättstartad. Startar första gången - varje gång.
 - Strömbrytareheten och säkerhetsnyckeln är specialkonstruerade för att förhindra oavsiktlig start.
 - Ergonomiskt uppsvängt handtag för bekvämt grepp och enklare manövrering.
 - En knivbroms för extra säkerhet. Stoppar knivarna inom 3 sekunder från att kopplingsspaken frigörs.
 - Stora muttrar på handtaget för enkel montering och ihopfällning vid förvaring.
 - 14 klipphöjder som klarar de flesta gräsförhållanden.
 - Gräsklipparens hjul roterar 360° för maximal styrförmåga vilket underlättar vid klippning längs gräsmattans kanter och runt föremål.
 - Bakhjulen kan låsas för klippning i rak linje.
 - Lätt borttagbar gräsupsamlare
 - Tålig plast ger lång livslängd, rostar inte och bidrar till låga vibrationer och lågt ljud.
 - Kraftfull och effektiv permamagnetmotor för en under alla tänkbara förhållanden effektiv och tystlåten gräsklippning och uppsamling.

Kartongens innehåll

Kartongen innehåller:

- 1 Gräsklipparens huvuddel
- 1 Handtag (3 delar)
- 1 Gräsupsamlare (2 delar)



SVERIGE

- 1 Verktyg för fastspänning/rengöring
- 1 Skruvmejsel
- 1 Batteri
- 1 Batterilock
- 1 Laddare
- 1 Säkerhetsnyckel
- 1 Resersäkring
- 2 Vingmuttrar
- 2 Brickor
- 2 Anpassade brickor
- 2 Skruvar för övre handtag
- 2 Skruvar för undre handtag
- 5 Skruvar för gräsupsamlare
- 2 Sladdklips
- 1 Bruksanvisning
 - Packa försiktigt upp alla delar.

Att montera handtaget

- Sätt gräsklipparen med hjulen på en jämn och stadig yta.
- B1**
- Sätt skaften till handtagen i öppningarna enligt fig. B1 så att böjningen formar en öppning överst.
 - Fäst vart och ett av handtagen med en skruv och en anpassad bricka som bilden visar. Fäst skruven ordentligt med det medföljande verktyget.
- B2**
- Placera det U-formade övre handtaget på stängerna enligt figuren.
- B3**
- Fäst det övre handtaget med skruvarna, brickorna och vingmuttrarna enligt figuren.
 - Fäst sladdarna vid handtaget med de medföljande sladdklipsen.



Använd inga verktyg för att dra åt vingmuttrarna.

Montering av gräsupsamlare (Bild C)

Gräsupsamlaren levereras i två delar. Dessa monteras ihop på följande sätt:

- C1**
- Rätta till de två hälfterna av gräsupsamlaren som bilden visar.
 - Använd den medföljande skruvmejseln och sätt samman de två hälfterna med de 5 skruvarna som bilden visar.

Montering av gräsupsamlaren på gräsklipparen:

- C2**
- Lyft klaffen baktill på gräsklipparen och placera gräsupsamlaren på hängmekanismen.
 - Släpp klaffen för att hålla gräsupsamlaren på plats.

Ta bort gräsupsamlaren från gräsklipparen:

För att ta bort en full gräsupsamlare, lyft på klaffen, lyft av gräsupsamlaren och ställ den på gräsmattan. Sänk försiktigt klaffen så att du får båda händerna fria till att lyfta den fulla gräsupsamlaren.

Montering av batterilåda

- C3**
- Montera ihop medföljande batterilåda genom att föra in gångjärn nr 1 i gräsklipparen följt av gångjärn nr 2.

Montering av batterirem

- C4**
- Tag fram batteriet och bärremmen.
 - Montera bärremmen enligt bilden.
 - Remmen bör alltid vara fastspänd på batteriet.

Batteriinformation

- Batteriet är ett slutet bly/syra batteri. Det kan förvaras i vilket läge som helst utan risk för läckage.
- **Batteriet har laddats på fabriken men behöver laddas om i minst 30 timmar före varje användning för att vara fullständigt driftsduglig.**
- För att erhålla bästa batterikapacitet skall batteriet fulladdas efter varje användning.
- **Vid vinterförvaring se till att:**
 - Gräsklipparen är fulladdad innan förvaring.
 - Temperaturen i förvaringsutrymmet är under 25°C.
 - Vinterförvaringen inte är längre än 6 månader.
- Förvara alltid gräsklipparen i ett svalt och torrt utrymme.
- Förvara gräsklipparen på behörigt avstånd från vatten, värme (pannor, radiatorer, värmefläktar etc.) eld eller kemikalier.

Laddningsinstruktion



- Ladda alltid gräsklipparen inomhus i ett torrt och väl ventilerat utrymme.
- Ladda endast gräsklipparen i temperaturområdet 5° till 40°



Varning! Försök ej ladda icke laddningsbara batterier.



Laddning

- Gräsklipparens batteri kan laddas på gräsklipparen eller tas bort och laddas på annan plats om ett strömuttag inte finns tillgängligt.

Att ladda batteriet ANSLUTET TILL gräsklipparen

- Tag bort skyddsnyckeln och förvara den på en säker plats utom räckhåll för barn.
- Öppna batteriskyddet genom att skjuta regeln och lyfta upp skyddet.
- Koppla bort batterisladden (röd och svart) genom att dra ut den ur uttaget på sidan av batteriutrymmet.
- Det röda och svarta uttaget på laddaren ansluts sedan till det röda och svarta uttaget på batteriet.

Obs: Laddaren kan endast monteras på ett vis.

- Anslut laddaren till strömbrytaren och slå på strömmen.
- Den röda kontrollampen på laddaren tänds. Detta anger att batteriet laddas.

Dubbla kontrollampor

- När batteriet har laddats färdigt, normalt efter 24 till 30 timmar, släcks den röda lampen varvid en grön lampa tänds.
- Batteriet kan utan risk sitta kvar på laddaren tills det ska användas.

När laddningen är slutförd

- Koppla ifrån laddningsapparaten från batteriet och anslut batteriet till kontakten på gräsklipparen.
- Din gräsklippare är nu färdig att användas.

Att ladda batteriet BORTKOPPLAT från gräsklipparen

- Tag bort skyddsnyckeln och öppna batteriskyddet så som beskrivs ovan och koppla bort batterisladden.
- Lyft bort batteriet från gräsklipparen med bärhandtaget.
- Ladda så som beskrivs ovan.
- Efter laddning, sätt tillbaks batteriet i gräsklipparen och anslut till gräsklipparens uttag.

Avyttring av batteriet

När batteriet måste bytas skall det först köras helt tomt genom att köra gräsklipparen tills den stannar. Avlägsna batteriet från gräsklipparen.



Varning! Det kan trots att motorn slutat att rotera fortfarande finnas laddning kvar i batteriet.

Var därför noga med att polerna inte kortsluts med något ledande verktyg eller annat ledande material.

Batteriet måste avyttras på ett ansvarsfullt sätt.



Den här symbolen betyder att bly/syra batteriet i denna produkt måste göras av med på ett ur miljösynpunkt riktigt sätt och aldrig slängas tillsammans med hushållsavfall.



Bly/syrabatterier kan vara skadliga för miljön och kan explodera om det utsätts för eld.

Elda inte upp dem

Batteriet skall lämnas till en auktoriserad Black & Decker serviceverkstad eller till en av kommunen anvisad uppsamlingsplats.

Om batterikapaciteten minskar, följ anvisningarna under "felsökning".



Varning! När ett nytt batteri installeras, ska den röda ledningen anslutas till röd terminal och den svarta ledningen till svart terminal.

Användning (Fig. E)

Viktigt! Observera alla relevanta varningar när maskinen används.



Varning! Kör aldrig maskinen med enbart en hand. Ha alltid båda händerna på handtaget.



Säkerhetsnyckel

- För att förhindra att maskinen startas oavsiktligt eller av obehörig. Utan säkerhetsnyckeln på plats är det omöjligt att använda gräsklipparen.

- Använd alltid den gräsuppsamlare som medföljer.



Varning! Tag alltid ur säkerhetsnyckeln när maskinen lämnas obebakad även om det bara är för en kort stund.

- I reservdelsförpackningen finner du en säkerhetsnyckel (plus en extra säkring).

Start

- Sätt i säkerhetsnyckeln ordentligt i botten.
- Sänk handtaget något så att maskinen tippas uppåt. På detta sätt skadas inte gräsmattan vid starten. Tryck ner säkerhetsknappen på strömbrytardosan och håll ner den medan du drar spaken mot dig. Maskinen startar och säkerhetsknappen kan släppas. Frigör spärrknappen när gräsklipparen har startat. Sänk gräsklipparen till önskad klippnivå och börja klippa genom att styra gräsklipparen med båda händerna.
- För att stänga av motorn släpper du spaken som då återgår till viloläge i höljet.

E1



SVERIGE

OBS: Din gräsklippare har hjul som kan vridas i 360° för att be bäst manövreringsförmåga. Bakhjulen kan låsas i läge för att ge rak klippning. Så här gör du:

- E2** • Skjut gräsklipparen framåt tills alla hjulen är vända så att de roterar bakåt.
- E3** • Dra ut låsspaken på gräsklipparens vänstersida tills spärrhaken kuggar in.
- E4** • Hjulen frigörs genom att trycka utlösningssknappen framåt.
- E5** • Om spärrhaken kuggar in utan att bakhjulen låses, frigör låsspaken, skruva loss sladdjusteringen ett varv och återkoppla låsspaken och spärrhaken. Upprepa tills hjulen låses på plats. Gräsklipparen fortsätter att klippa så länge spaken är intryckt.

När klippningen är färdig rekommenderar vi att klipparen rengörs innan den ställs in och laddas. Se "Vård och underhåll".

Obs! För att erhålla bästa resultat skall gräset klippas regelbundet, men aldrig när gräset är fuktigt eller vått.

Om du när du klipper, ser att gräsklipparen lämnar efter sig en gräsrand är gräsuppsamlaren troligen full och behöver tömmas.

Styrförmåga (Bild D)

Gräsklipparen har fullt roterande hjul och kan manövreras runt träd och andra föremål. Den kan också klippa runt blomrabatter.

För maximal styrförmåga, frigör bakhjulets låsmekanism genom att trycka utlösningssknappen framåt.



Använd alltid sladdhållaren och se till att sladden inte ligger i vägen när du klipper gräset.

Justering av klipphöjden (Bild F)



Varning! Gräsklipparen måste fränkopplas och knivbladen ha stannat innan någon höjdjustering kan ske: knivarna är mycket vassa.

F1

- Dra armen utåt och håll stadigt fast i den.
- Vrid på knappen med hjälp av armen och ställ in önskad klipphöjd.
- Fäll tillbaka armen och lås fast knappen.

OBS! För längre eller ojämna gräsmattor (speciellt årets första gräsklippning), börja med en hög klipphöjd och avsluta med en andra lägre klipphöjd.

Underhåll av kniven

Kniven är designad för att ge ett fint klippsnitt i både långt och tjockt gräs.

Om klippsnittet försämras på grund av att kniven skadats eller slitits skall den slipas eller bytas, annars får man bruna ojämna snittytor på grässtråna.

Vi rekommenderar att kniven byts eller slipas före varje ny säsong.

En ny kniv kan anskaffas från Din närmaste Black & Decker återförsäljare eller serviceverkstad.



Varning! Använd endast originalkniv vid knivbyte, försök aldrig att använda någon annan typ av kniv.

Byte av kniv (Fig. G)



Observera alla relevanta varningar innan kniven byts.

Varning! Tag ur säkerhetsnyckeln innan kniven byts ut.

G

- Vänd maskinen på sidan så att undersidan med kniven blir synlig.
- Lägg en handduk över knivarna eller bär handskar. Fatta tag om kniven och skruva med hjälp av en skruvnyckel bort muttern på motorspindel. Muttern skruvas loss moturs.
- Kniven kan nu bytas och muttern och brickan sättas tillbaka.

Obs! Några modeller har en bricka mellan bulten och kniven, som alltid måste sättas tillbaka.

Överbelastningsskydd (Fig. H)

H

- Maskinen är utrustad med ett överbelastningsskydd. Om maskinen körs för fort i högt gräs eller under svåra klippförhållanden kan motorn överbelastas. Om detta sker, går säkerhetsnyckelns säkring sönder och maskinen stannar.
- Detta är inget fel utan enbart ett skydd för gräsklipparen.
- Om detta händer, ska säkerhetsnyckeln avlägsnas och smältråden inspekteras. Om smältråden är bruten har säkringen gått och behöver bytas ut. En extra säkring ingår i reservdelsförpackningen.



Du kan också köpa en ny nyckel hos närmaste auktoriserad Black & Decker serviceverkstad.

För att erhålla bästa resultat:

- Klipp gräset regelbundet.
- Klipp aldrig vått gräs.
- När gräset är längre än 10 cm skall det först klippas i ett högt läge och sedan i önskad höjd.

Vård och underhåll

Följande råd gäller generellt underhåll av gräsklipparen. Frågor om kniven behandlas under "Underhåll av kniven". Råd rörande underhåll och förvaring av batteri ges under "Batteriinformation".

- Håll alltid maskinen ren från gammalt gräsklipp, särskilt undersidan och luftventilerna.
- Efter varje klippning rekommenderar vi att gräs som eventuellt fastnat under maskinen avlägsnas med en plastskrapa eller liknande. Den medföljande skruvnyckeln kan användas för ändamålet.
- Rengör alla plastdelar med en fuktig trasa.
- **Obs!** Använd inte lösningsmedel eller andra starka kemikalier som kan förstöra plastdetaljernas yta.

Råd för bästa resultat

- För att klippa långt gräs sätter man gräsklipparen på den högsta klipphöjden.
- Ladda upp batteriet helt innan du använder gräsklipparen första gången.
- Ladda upp batteriet efter användning.
- Ladda upp batteriet helt innan du ställer gräsklipparen i förvar.
- Förvara varken gräsklipparen eller batteriet under extrema temperaturförhållanden.
- Om batteriet ligger i förvar en längre tid så skall det laddas upp med jämna mellanrum.
- Observera: när batteriet har legat i förvar en längre tid krävs det flera omgångar med upp- och urladdningar innan det kommer upp i full kapacitet.

Felsökning

Om maskinen inte fungerar riktigt, använd nedanstående tabell för att lokalisera felet.

Problem	Åtgärd
Maskinen startar inte när spaken trycks ner.	(a) Kontrollera säkerhetsnyckeln. (b) Tag ur säkerhetsnyckeln. Läg maskinen på sidan och kontrollera att kniven roterar fritt. (c) Kontrollera att batteriet är fulladdat.

(d) Kontrollera att säkringen inte har gått.

Maskinen stannar under klippning.

- (a) Ta ut säkerhetsnyckeln. Vänd maskinen på sidan och kontrollera att kniven kan vrida sig fritt.
(b) Öka klipphöjden och starta maskinen.
(c) Är batteriet helt laddat?
(d) Undersök säkringen i säkerhetsnyckeln. Om den är sönder har säkringen i nyckeln gått, och nyckeln måste bytas.

Maskinen går men klipper dåligt.

- (a) Är batteriet helt laddat?
(b) Batteriet kan behöva bytas. Se under "Avyttring av batteriet".

Maskinen är svår att skjuta.

- a) Öka klipphöjden så att gräset bromsar mindre. Kontrollera att alla hjulen kan röra sig fritt.

Vibrationer och högt ljud.

- (a) Tag ur säkerhetsnyckeln. Läg maskinen på sidan och kontrollera att inte kniven är skadad. Om kniven är skadad byt till en ny originalkniv.
(b) Om det inte finns någon synlig skada, kontakta närmaste auktoriserade Black & Decker serviceverkstad.



Varning! Tag alltid ur säkerhetsnyckeln före transport eller inspektion.

Miljö

Verktyg



När ditt verktyg är utslitet, skydda naturen genom att inte slänga det tillsammans med vanligt avfall. Lämna det till de uppsamlingsställen som finns i din kommun eller där du köpt verktyget.

Batterier



Black & Decker batterierna kan laddas många gånger. Skydda miljön genom att lämna kasserade batterier till därför avsedd uppsamlingsplats.

- Ladda ur batteriet helt och tag sedan bort det från verktyget.
- Batterier är återvinningsbara. Lämna dem till inköpsstället eller den lokala återvinningsstationen. Återlämnade batterier återvinns eller sänds till särskilda behandlingsanläggningar.





Garanti

Black & Decker garanterar att produkten är fri från material- och/eller fabrikationsfel vid leverans till kund. Garantin är i tillägg till konsumentens lagliga rättigheter och påverkar inte dessa. Garantin gäller inom medlemsstaterna i Europeiska Unionen och i det Europeiska Frihandelsområdet.

Om en Black & Decker produkt går sönder på grund av material- och/eller fabrikationsfel eller brister i överensstämmelse med specifikationen, inom 24 månader från köpet, åtar sig Black & Decker att reparera eller byta ut produkten med minsta besvär för kunden.

Garantin gäller inte för fel som beror på:

- normalt slitage
- felaktig användning eller skötsel
- att produkten skadats av främmande föremål, ämnen eller genom olyckshändelse

Garantin gäller inte om reparation har utförts av någon annan än en auktoriserad Black & Decker verkstad.

För att utnyttja garantin skall produkten och inköpskvittot lämnas till återförsäljaren eller till en auktoriserad verkstad senast 2 månader efter det att felet har upptäckts. För information om närmaste auktoriserad verkstad; kontakta det lokala Black & Decker kontoret på den adress som är angiven i bruksanvisningen. En lista på alla auktoriserade verkstäder samt servicevillkor finns även tillgängligt på Internet, adress: www.2helpU.com.

Reservdelar / reparationer

Reservdelar finns att köpa hos auktoriserade Black & Decker verkstäder, som även ger kostnadsförslag och reparerar våra produkter.

Förteckning över våra auktoriserade verkstäder finns på Internet, vår hemsida www.blackdecker.se samt www.2helpU.com.

Andra trädgårdsredskap

Black & Decker AB har ett brett sortiment av verktyg för utomhusbruk som gör arbetet i trädgården enklare. Kontakta närmaste Black & Decker återförsäljare för ytterligare information eller besök vår hemsida www.blackdecker.se.

Mossrivare
Häcksaxar
Kedjesågar
Gräsklippare
Grästrimmare
Trädgårdsstädare
Kompostkvarnar

En del produkter är inte tillgängliga i alla länder.

SVERIGE

CE-försäkran om överensstämmelse

GFC1234/GFC1238/GFC2438

Black & Decker förklarar att dessa verktyg är konstruerade i överensstämmelse med:

98/37/EEG, 89/336/EEG, 73/23/EEG,
EN 55014, EN 60335, EN 61000,

2000/14/EEG, Gräsklippare, L ≤ 50 cm,
Annex VIII, No. 0086

B.S.I., HP2 4SQ, England

Ljudnivå, uppmätt enligt 2000/14/EEG:

L _{PA}	(ljudtryck)	dB(A)	79
L _{WA}	(ljudeffekt)	dB(A)	93
L _{WA}	(garanterad)	dB(A)	96

Det vägda geometriska medelvärdet av vibrationsfrekvensen enligt EN 50144:

Brian Cooke

Director of Engineering
Spennymoor, County Durham DL16 6JG,
United Kingdom
1-12-2001





Australia	DeWALT Industrial Power Tool Company 7 Clarice Road, Box Hill, Victoria 3128	Tel. 03 9895 9200 Fax 03 9899 7465
Belgique/België	Black & Decker (Belgium) N.V. Weihoek 1, 1930 Zaventem	Tel. 02/719.07.11 Fax 02/719.08.10
Danmark	Black & Decker Hejrevang 26B, 3450 Allerød Internet: www.blackdecker.dk	Tel. 70 20 15 10 Fax 48 14 13 99
Deutschland	Black & Decker GmbH Black & Decker Str. 40, D - 65510 Idstein	Tel. 06126/21 24 83 Fax 06126/21 26 01
Ελλάς	Black & Decker (Ελλάς) Α.Ε. Στράβωνος 7 & Βουλιαγμένης 159 Γλυφάδα 16674, Ελλάδα	Τηλ. (01) 8981-616 Φαξ (01) 8983-570 Service (01) 8982-630
España	Black & Decker Spain Parque de Negocios "Mas Blau" Edificio Muntadas, c/Bergadá, 1, Of. A6 08820 El Prat de Llobregat (Barcelona)	Tel. 934 797 400 Fax 934 797 419
France	Black & Decker (France) S.A.S. B.P. 21, 69571 Dardilly Cédex	Tel. 04 72 20 39 20 Fax 04 72 20 39 00
Helvetia	Eduard Luggen Black & Decker-Service Schweiz Industriestrasse 1 / Postfach 323 8157 Dielsdorf	Tel. 01/854 01 01 Fax 01/854 02 02
Italia	Black & Decker Italia SpA Viale Elvezia 2 20052 Monza (MI)	Tel. 039-23871 Fax 039-2387592/2387594 Numero verde 800-213935
Nederland	Black & Decker (Nederland) BV Florijnstraat 10, 4879 AH Etten-Leur	Tel. 076-5082000 Fax 076-5038184
New Zealand	Black & Decker 81 Hugo Johnson Drive Penrose, Auckland, New Zealand	Tel. 09 579 7600 Fax 09 579 8200
Norge	Black & Decker (Norge) A/S Postboks 248, Leirdal, 1011 Oslo Internet: www.blackdecker.no	Tlf. 22 90 99 00 Fax 22 90 99 01
Österreich	Black & Decker Vertriebsges.m.b.H Erlaaerstraße 165, 1231 Wien	Tel. 01 66116-0 Fax 01 66116-14
Portugal	Black & Decker Rua Egas Moniz 173, 2766-651 S. João do Estoril	Tel. 214667500 Fax 214667575
South Africa	Black & Decker South Africa (Pty) Ltd Physical address: 39 Commerce Crescent Eastgate, ext. 12, Sandton, Kramerville 2148 Postal address: Postnet Suite 107, Private Bag X65 Halfway House 1685	Tel. (011) 653-1400 Fax (011) 653-1499
Suomi	Black & Decker Oy Palotie 3, 01610 Vantaa Black & Decker Oy, Brandvägen 3, 01610 Vanda	Puh: (09) 825 4540 Fax: (09) 825 45 444 Tel: (09) 825 4540 Fax: (09) 825 45 444
Sverige	Black & Decker AB Box 603, 421 26 Västra Frölunda, Besöksadr. Ekonomivägen 11	Tel: 031-68 60 00 Fax: 031-68 60 08
Türkiye	Black & Decker Merkez Servis Dudullu Cad. Kerembey Sok. No. 1 Küçükbakkalköy/Istanbul	Tel. 0216 455 89 73 Faks 0216 455 20 52
United Kingdom	Black & Decker 210 Bath Road Slough, Berkshire SL1 3YD	Tel. 01753 511234 Fax 01753 551155 Helpline 01753 574277



577625-07



Forhandler adresse
Händleradresse
Διεύθυνση αντιπροσώπου
Address of dealer
Dirección del detallista
Cachet du revendeur
Indirizzo del rivenditore
Adres van de dealer
Forhandlerens adresse
Morada do revendedor
Jälle emmylän osoite
Återförsäljarens adress

Inköpsdato
Kaufdatum
Ημερομηνία αγοράς
Date of purchase
Fecha de compra
Date d'achat
Data d'acquisto
Aankoopdatum
Inköpsdato
Data de compra
Ostopäivä
Inköpsdatum

Navn/Name/Όνομα/Nombre/Nom/
Nome/Naam/Navn/Nome/Nimi/Namn:

machine cadeau?/Er maskinen en gave?/
Recebeu esta ferramenta como presente?/
Onko kone lahja?/Är maskinen en gåva?
 Ja/Ja/Ναι/Yes/Si/oui/Sì/Ja/Ja/Sim/
Kyllä/Ja
 Nej/Neim/Όχι/No/Non/No/Nee/Nei/
Nao/Ei/Nej

Adresse/Adresse/Διεύθυνση Address/
Dirección/Adresse/Indirizzo/Adres/Adresse/
Morada/O soite/Address:

Hvor meget kostede maskinen?/Was war der
Preis dieses Werkzeuges?/Ποιά είναι η τιμή
του εργαλείου αυτού?/What was the price of
this tool?/¿Cuál fue el precio de esta
herramienta?/Prix payé?/Quanto ha pagato
questo prodotto?/Wat was de prijs van dit
product?/Hvor meget kostet maskinen?/Que
preço pagou por esta ferramenta?/Paljonko
kone maksoi?/Hur mycket kostade maskinen?
Er dette din første B&D maskine?/Ist dieses
Werkzeug-/Είναι το εργαλείο αυτό-/Is this tool-
/¿Es esta herramienta que comprado-/Est-ce-/
Questo prodotto è-/Is deze machine-/Er dette
din første B&D maskin?/Esta ferramenta é-/
Onko tämä ensimmäinen B&D-koneesi?/
Är detta Din första B&D-velu?

Postnr./Postleitzahl/Κωδικός/Postcode/
Code postal/Código/Codice postale/Postcode/
Postnr./Código postal/Postnummero/Postnr.:

Er maskinen en gave?/Ist diese Maschine ein
Geschenk?/Η μηχανή είναι δωρό?/Is this
product a gift?/Ha recibido usted esta
herramienta como regalo?/S'agit-il d'un
cadeau?/Si tratta di un regalo?/Kreeg u deze

Ja/ein Erstkauf?/η πρώτη σας αγορά?/
your first purchase?/la primera de
este tipo?/un ler achat?/il suo primo
acquisto?/uw eerste aankoop?/Ja/a
sua primeira compra?/Kyllä/Ja
Nej/Ersatzkauf?/για αντικατάσταση?/a
replacemnt?/un reemplazo?/un
achat de remplacement?/Nai/
sostituzione?/een vervanging?/Nei/
uma substituição?/Ei/Nej

Forhandler adresse/Händleradresse/Διεύθυνση
antiprosōpou/Address of dealer/Dirección del
detallista/Cachet du revendeur/Indirizzo del
rivenditore/Dealeradres/Forhandlerens
adresse/Morada do revendedor/Jälle emmylän
osoite/Återförsäljarens adress:

• Venligst sæt kryds i ruden såfremt De ikke måtte ønske at modtage information fra anden virksomhed end Black & Decker.
• Bitte ankreuzen, falls Sie weiteres Informationsmaterial von Black & Decker erhalten möchten. • Παράκαλεϊθήτε να σημειώσετε εάν δεν θέλετε να λάβετε πληροφορίες άλλης εταιρείας εκτός της Black & Decker. • Señale en la casilla sino quiere recibir información de otras empresas. • S'ivous ne souhailte pas recevoir d'informations de la part d'autres sociétés que Black & Decker, cochez cette case. • Barrate la casella se non desiderate ricevere informazioni da altre aziende. • A. u. b. dit vakje aankruisen indien u geen informatie wenst te ontvangen van andere bedrijven dan Black & Decker. • Venligst kryss av dersom De ikke ønsker informasjon fra andre bedrifter enn Black & Decker. • Por favor, assinala com uma cruz se desejar receber informação de outras empresas, além da Black & Decker. • Merkitkää rasti ruutuun, mikäli ette halua vastaanottaa informaatiota muulta taholta kuin Black & Deckeriltä. • Vänligen kryssa för i rutan om Ni inte vill ha information från andra företag än Black & Decker.

Cat. no. GFC1234/GFC1238/
GFC2438



• GARANTI KORT • GARANTIEKARTE • КАРТА ГАРАНТИИ • GUARANTEE CARD • TARJETA DE GARANTIA • CARTE DE GARANTIE
• TAGLIANDO DI GARANZIA • GARANTIE-KAART • GARANTI KORT • CARTÃO DE GARANTIA • TAKUKORTTI • GARANTIBEVIS



Australia Call 1900 937766 (max. call charge \$2.00 ex. tax)
Belgique/België Weirhoeek 1, 1930 Zaventem
Danmark Hejrevang 26B, 3450 Allerød
Deutschland Black & Decker Str. 40, D-65510 Idstein
Ελλάς Black & Decker Ελλάς, Συγγρού 154, 17671 Κολωνία
España 43883 Roda de Barà (Tarragona)
France BP21, 69571 Dardilly Cedex
Helvetia Rütistrasse 14, 8952 Schlieren, Schweiz/Suisse
Italia Viale Eivèzia 2, 20052 Monza (MI)



Nederland Florijnstraat 10, 4879 AH Eten-Leur
New Zealand Call 0900 97766 (max. call charge \$2.00 ex. tax)
Norge Strømsveien 344, 1081 Oslo
österreich Erlhaer Straße 165, 1231 Wien
Portugal Rua Egas, Moniz 173, S. João do Estoril, 2768 Estoril Codex
South Africa Black & Decker, Suite 107, PN X65, Halfway Hse, 1685
Suomi Black & Decker Oy, Rälssitie 7C, 01510 Vantaa
Sverige Box 603, 421 26 Västra Frölunda
UK & Ireland PO Box 821, Slough, Berkshire, SL1 3AR



Danmark Venligst klip denne del ud og send frankeret til Black & Decker i dit land.

Deutsch Bitte schneiden Sie diesen Abschnitt ab, stecken ihn in einen frankierten Umschlag und schicken ihn direkt an die Black & Decker Adresse Ihres Landes.

Ελληνικά Παράκαλώ κόψτε αυτό το κομμάτι και τοποθετήστε το αμέσως μετά την αγορά του προϊόντος σας στην διεύθυνση της Black & Decker στην Ελλάδα (Βαθέ ηνάω).

English Please complete this section immediately after the purchase of your product and post it to the Black & Decker address in your country (above).

Español If you live in Australia or New Zealand, please register by phone. Después de haber comprado su herramienta envíe usted, por favor, esta tarjeta a la central de Black & Decker en su país.

Français Découpez cette partie et envoyez-la sous enveloppe timbrée à l'adresse de Black & Decker dans votre pays (voir ci-dessus), ceci immédiatement après votre achat.

Italiano Per favore ritagliate questa parte, inseritela in una busta con francobollo e spedite la subito dopo l'acquisto del prodotto all'indirizzo della Black & Decker nella vostra nazione (vedi sopra).

Nederlands Knip dit gedeelte uit, zend het in een ge frankeerde, geadresseerde envelop direct na uw aankoop naar het Black & Decker-adres in uw land (zie boven).

Norge Vennligst klipp ut denne delen umiddelbart etter du har pakket ut ditt produkt og legg det i en adressert konvolutt til Black & Decker (Norge) A/S (se adresse over).

Português Por favor, recorte esta parte, coloque-a num envelope selado e enderegado e envie-o logo após a compra do seu produto para o endereço da Black & Decker do seu país.

Suomi Leikkaa iriti tämä osa, laita se ohitseeseen kuoreen ja postita kuori yllä olevaan paikkalliseen Black & Decker osoitteeseen.

Sverige Var vänlig klipp ur denna del. Skriv Ditt namn och adress på ett frankerat kuvert, och sänd det genast till Black & Decker's adress i Ditt land (se ovan).

