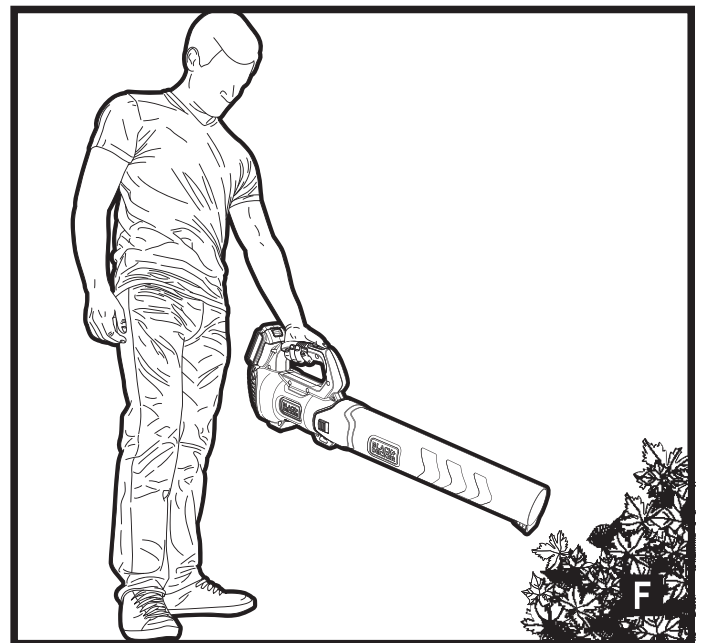
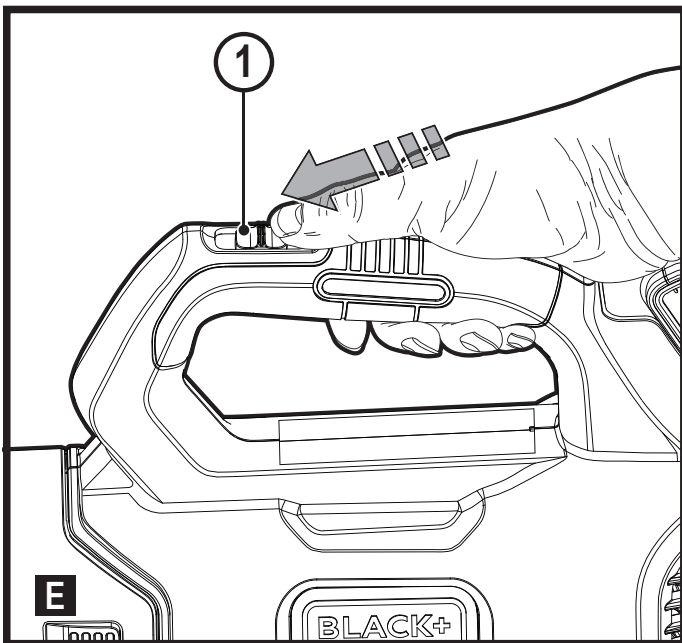
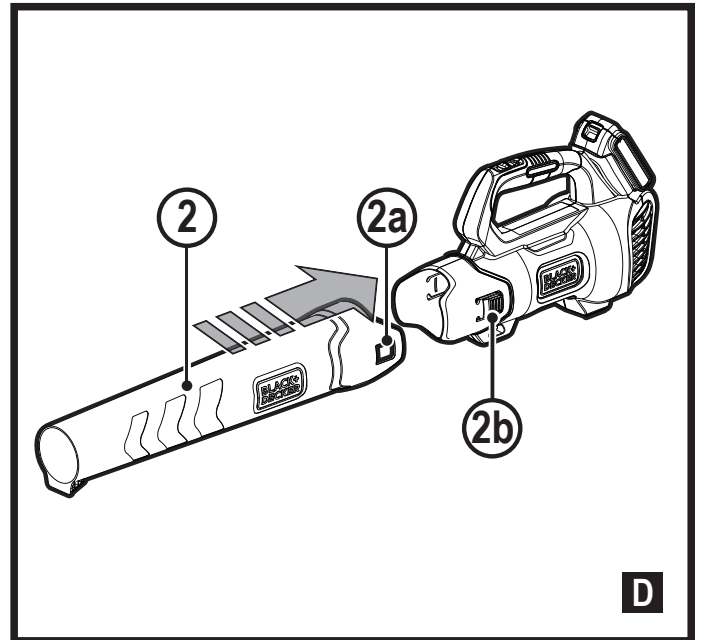
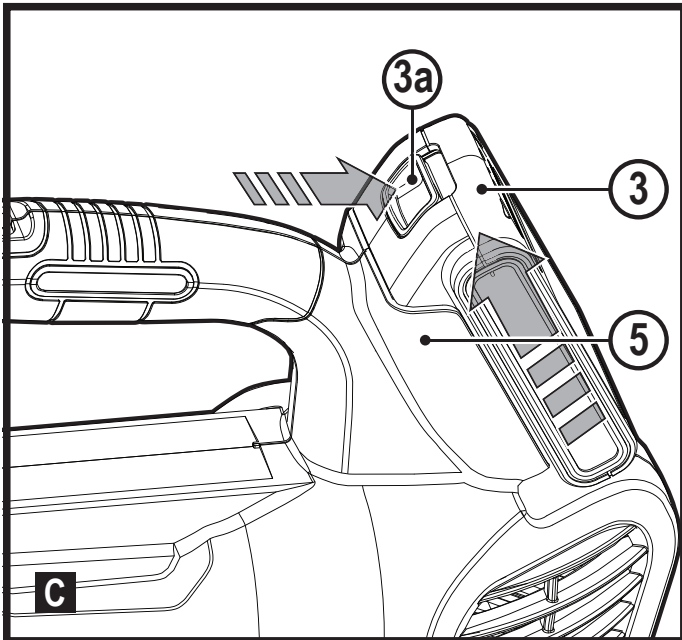
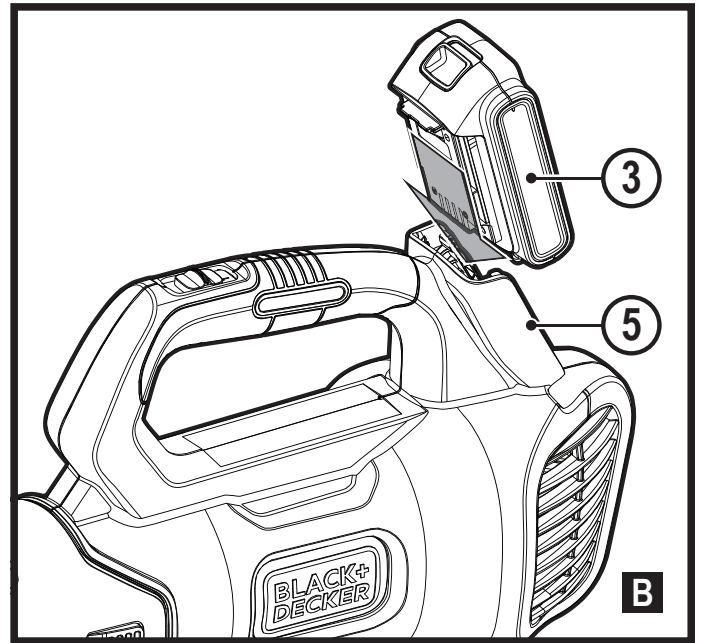
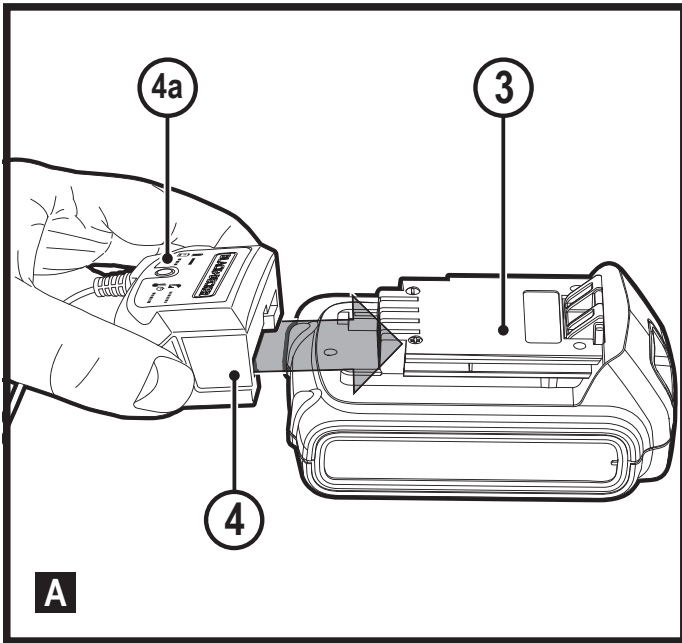


BCBL200 L
BCBL200 L25
BCBL200 B

503913 - 64

www.blackanddecker.eu

English	(Original instructions)	4
Українська	(Оригінальні інструкції)	11



Intended use

Your BLACK+DECKER BCBL200 L, BCBL200 L25 and BCBL200 B blowers have been designed for leaf clearing. These appliances are intended for consumer use only.

Safety instructions

Warning! When using mains-powered/cordless appliances, basic safety precautions, including the following, should always be followed to reduce the risk of fire, electric shock, personal injury and material damage.

- ◆ Read all of this manual carefully before operating the appliance.
- ◆ The intended use is described in this manual. The use of any accessory or attachment or the performance of any operation with this appliance other than those recommended in this instruction manual may present a risk of personal injury.
- ◆ Retain this manual for future reference.

Using your appliance

Always take care when using the appliance.

- ◆ Always use safety glasses or goggles.
- ◆ Never allow children, persons with reduced physical, sensory or mental capabilities or lack of experience and knowledge or people unfamiliar with these instructions to use the machine, local regulations may restrict the age of the operator. Never operate the machine while people, especially children, or pets are nearby.

- ◆ Do not allow children or animals to come near the work area or to touch the appliance or power supply cord.
- ◆ Close supervision is necessary when the appliance is used near children.
- ◆ This appliance is not intended for use by young or infirm persons without supervision.
- ◆ This appliance is not to be used as a toy.
- ◆ Only use the appliance in daylight or good artificial light.
- ◆ Use in a dry location only. Do not allow the appliance to become wet.
- ◆ Avoid using the appliance in bad weather conditions, especially when there is a risk of lightning.
- ◆ Do not immerse the appliance in water.
- ◆ Do not open the body casing. There are not user-serviceable parts inside.
- ◆ Do not operate the appliance in explosive atmospheres, such as in the presence of flammable liquids, gases or dust.
- ◆ The appliance is only to be used with the power supply unit provided with the appliance.

Residual risks.

Additional residual risks may arise when using the tool which may not be included in the enclosed safety warnings.

These risks can arise from misuse, prolonged use etc. Even with the application of the relevant safety regulations and the implementation of safety devices, certain residual risks can not be avoided.

These include:

- ◆ Injuries caused by touching any rotating/moving parts.
- ◆ Injuries caused when changing any parts, blades or accessories.
- ◆ Injuries caused by prolonged use of a tool. When using any tool for prolonged periods ensure you take regular breaks.
- ◆ Impairment of hearing.
- ◆ Health hazards caused by breathing dust developed when using your tool (example:- working with wood, especially oak, beech and MDF.)

After use

- ◆ When not in use, the appliance should be stored in a dry, well ventilated place out of reach of children.
- ◆ Children should not have access to stored appliances.
- ◆ When the appliance is stored or transported in a vehicle it should be placed in the boot or restrained to prevent movement following sudden changes in speed or direction.

Inspection and repairs

- ◆ Before use, check the appliance for damaged or defective parts. Check for breakage of parts and any other conditions that may affect its operation.
- ◆ Do not use the appliance if any part is damaged or defective.
- ◆ Have any damaged or defective parts repaired or replaced by an authorised repair agent.

- ◆ Never attempt to remove or replace any parts other than those specified in this manual.

Additional safety instructions for blowers

The intended use is described in this manual. The use of any accessory or attachment or performance of any operation with this appliance other than those recommended in this instruction manual can present a risk of personal injury and/or damage to property.

- ◆ To protect your feet and legs while operating the appliance, always wear heavy duty footwear and long trousers.
- ◆ Always switch off your product, allow the fan to stop and remove the battery when:
 - ◆ You leave your product unattended.
 - ◆ Clearing a blockage.
 - ◆ Checking, adjusting, cleaning or working on your product.
 - ◆ If the appliance starts to vibrate abnormally.
- ◆ Do not place the inlet or outlet of the vacuum near eyes or ears when operating. Never blow debris in the direction of bystanders.
- ◆ Do not use in the rain or leave outdoors while it is raining.
- ◆ Do not cross gravel paths or roads whilst your product is switched. Walk, never run.
- ◆ Do not place your unit down on gravel while it is switched on.

- ◆ Always be sure of your footing, particularly on slopes.
Do not overreach and keep your balance at all times.
- ◆ Do not place any objects into the openings. Never use if the openings are blocked - keep free of hair, lint, dust and anything that may reduce the airflow.

Vibration

The declared vibration emission values stated in the technical data and the declaration of conformity have been measured in accordance with a standard test method provided by EN50636 and may be used for comparing one tool with another. The declared vibration emission value may also be used in a preliminary assessment of exposure.

Warning! The vibration emission value during actual use of the power tool can differ from the declared value depending on the ways in which the tool is used. The vibration level may increase above the level stated.

When assessing vibration exposure to determine safety measures required by 2002/44/EC to protect persons regularly using power tools in employment, an estimation of vibration exposure should consider, the actual conditions of use and the way the tool is used, including taking account of all parts of the operating cycle such as the times when the tool is switched off and when it is running idle in addition to the trigger time.

Warning! Always use your product in the manner outlined in this manual. Your product is designed to be used in an upright mode and if it is used in any other way it may result in injury. Never run your product whilst lying on it's side or upside down.

- ◆ The operator or user is responsible for accidents or hazards occurring to other people or their property.
- ◆ Do not use solvents or cleaning fluids to clean your product. Use a blunt scraper to remove grass and dirt.
- ◆ Check the collection bag frequently for wear or deterioration.
- ◆ Replacement fans are available from a Black & Decker service agent. Use on Black & Decker recommended spare parts and accessories.
- ◆ Keep all nuts bolts and screws tight to make sure that the appliance is in a safe working condition.

Safety of others

- ◆ This appliance is not intended for use by persons (including children) with reduced physical, sensory or mental capabilities, or lack of experience and knowledge, unless they have been given supervision or instruction concerning use of the appliance by a person responsible for their safety.
- ◆ Children should be supervised to ensure that they do not play with the appliance.

Additional safety instructions for batteries and chargers

Batteries

- ◆ Never attempt to open for any reason.
- ◆ Do not expose the battery to water.
- ◆ Do not store in locations where the temperature may exceed 40 °C.
- ◆ Charge only at ambient temperatures between 10 °C and 40 °C.
- ◆ Charge only using the charger provided with the tool.
- ◆ When disposing of batteries, follow the instructions given in the section "Protecting the environment".

Chargers

- ◆ Use your BLACK+DECKER charger only to charge the battery in the tool with which it was supplied. Other batteries could burst, causing personal injury and damage.
- ◆ Never attempt to charge non-rechargeable batteries.
- ◆ Have defective cords replaced immediately.
- ◆ Do not expose the charger to water.
- ◆ Do not open the charger.
- ◆ Do not probe the charger.



The charger is intended for indoor use only.



Read the instruction manual before use.

Electrical safety



Your charger is double insulated; therefore no earth wire is required. Always check that the mains voltage corresponds to the voltage on the rating plate. Never attempt to replace the charger unit with a regular mains plug.

- ◆ If the supply cord is damaged, it must be replaced by the manufacturer or an authorised BLACK+DECKER Service Centre in order to avoid a hazard.

Labels on appliance

The following warning symbols are found on the appliance along with the date code:



Read the manual prior to operation.



Wear safety glasses or goggles when operating this appliance.



Wear suitable ear protectors when operating this appliance.



Always remove the battery from the appliance before performing any cleaning or maintenance.



Beware of flying objects. Keep bystanders away from the cutting area.



Do not expose the appliance to rain or high humidity.



Directive 2000/14/EC guaranteed sound power.

Features

This appliance includes some or all of the following features.

1. On / Off Switch
2. Blower Tube
3. Battery

Charging a battery (BCBL200 L and BCBL200 L25 units only) (fig. A)

BLACK+DECKER chargers are designed to charge BLACK+DECKER battery packs.

- ◆ Plug the charger (4) into an appropriate outlet before inserting a battery pack (3).
- ◆ Insert the battery pack (3) into the charger, making sure the battery pack is fully seated in the battery slots (Figure A).

The LED (4a) will flash indicating that the battery is being charged.

The completion of charge is indicated by the LED remaining on continuously. The pack is fully charged and may be used at this time or left in the charger.

- ◆ Recharge discharged batteries as soon as possible after use or battery life may be greatly diminished. For longest battery life, do not discharge batteries fully. It is recommended that the batteries be recharged after each use.

Charger diagnostics

This charger is designed to detect certain problems that can arise with the battery packs or the power source. Problems are indicated by one LED flashing in different patterns.

Bad battery

The charger can detect a weak or damaged battery. The LED flashes in the pattern indicated on the label. If you see this bad battery blink pattern, do not continue to charge the battery. Return it to a service center or a collection site for recycling.

Hot/cold pack delay

When the charger detects a battery that is excessively hot or excessively cold, it automatically starts a Hot/Cold Pack Delay, suspending charging until the battery has normalized. After this happens, the charger automatically switches to the Pack Charging mode. This feature ensures maximum battery life. The light flashes in the pattern indicated on the label.

Leaving the battery in the charger

The charger and battery pack can be left connected with the LED glowing indefinitely. The charger will keep the battery pack fresh and fully charged.

This charger features an automatic tune-up mode which equals or balances the individual cells in the battery pack to allow it to function at peak capacity.

Battery packs should be tuned up weekly or whenever the battery no longer delivers the same amount of work. To use the automatic tune-up mode, place the battery pack in the charger and leave it for at least 8 hours.

Important charging notes

- ◆ Longest life and best performance can be obtained if the battery pack is charged when the air temperature is between 18 ° – 24 °C. DO NOT charge the battery pack in an air temperature below +4.5 °C, or above +40 °C. This is important and will prevent serious damage to the battery pack.
- ◆ The charger and battery pack may become warm to the touch while charging. This is a normal condition, and does not indicate a problem. To facilitate the cooling of the battery pack after use, avoid placing the charger or battery pack in a warm environment such as in a metal shed or an uninsulated trailer.
- ◆ If the battery pack does not charge properly:
 - ◆ Check operation of receptacle by plugging in a lamp or other appliance;
 - ◆ Check to see if receptacle is connected to a light switch which turns power off when you turn out the lights;
 - ◆ Move the charger and battery pack to a location where the surrounding air temperature is approximately 18 ° – 24 °C;
 - ◆ If charging problems persist, take the tool, battery pack and charger to your local service center.
 - ◆ The battery pack should be recharged when it fails to produce sufficient power on jobs which were easily done previously. DO NOT CONTINUE to use under these conditions. Follow the charging procedure. You may also charge a partially used pack whenever you desire with no adverse effect on the battery pack.
- ◆ Foreign materials of a conductive nature such as, but not limited to, grinding dust, metal chips, steel wool, aluminum foil, or any buildup of metallic particles should be kept away from charger cavities. Unplug the charger before attempting to clean.
- ◆ Do not freeze or immerse the charger in water or any other liquid.

To install battery pack (BCBL200 L and BCBL200 L25 units only) (fig. B)

- ◆ Insert battery pack (3) into tool until an audible click is heard as shown in Figure B. Make sure battery pack is fully seated and fully latched into position.

To remove battery pack (fig. C)

- ◆ Depress the battery release button (3a) in the battery pack (3) and pull battery pack out of tool assembly (5) as shown in Figure C.

To fit the blower tube (fig. D)

- ◆ Attach the blower tube (2) to the blower main body by placing the tabs (2b) into the recesses (2a). To remove the blower tube, depress the tabs (2a) and pull apart.

Switching on and off

Warning! Use both hands to grip the product firmly when switching on.

Warning! Do not point unit discharge at self or bystanders.

- ◆ To switch the sweeper on, slide the on/off switch forward as shown E.
- ◆ To switch the sweeper off, slide the on/off switch back.

Operation

Warning! Always wear safety glasses. Wear a filter mask if the operation is dusty. Use of gloves, long pants and substantial footwear is recommended. Keep long hair and loose clothing away from openings and moving parts. THIS SWEEPER IS FOR HOUSEHOLD USE ONLY.

- ◆ Hold the sweeper with one hand as shown in Figure F and sweep from side to side with the nozzle several inches above the ground. Slowly advance keeping the accumulated pile of debris in front of you.

Troubleshooting

Problem	Possible cause	Possible solution
Unit will not start.	Battery not installed properly.	Check battery installation.
	Battery not charged.	Check battery charging requirements.
Battery will not charge.	Battery not inserted into charger.	Insert battery into charger until green LED appears.
	Charger not plugged in.	Plug charger into a working outlet. Refer to "Important Charging Notes" for more details.
		Check current at receptacle by plugging in a lamp or other appliance.
		Check to see if receptacle is connected to a light switch which turns power off when you turn out the lights.
Surrounding air temperature too hot or too cold.	Move charger and tool to a surrounding air temperature of above 40 degree F (4.5°C) or below 105 degree F (+40.5°C).	

Protecting the environment



Separate collection. Products and batteries marked with this symbol must not be disposed of with normal household waste.

Products and batteries contain materials that can be recovered or recycled reducing the demand for raw materials. Please recycle electrical products and batteries according to local provisions.

Technical data

		BCBL200 L	BCBL200 L25	BCBL200 B
Input Voltage	V _{DC}	18	18	18
No-Load Speed	/min	19500	19500	19500
Weight	kg	2.35	2.61	1.79
Battery		90617054	N637662	Bare unit, not supplied
Voltage	V _{DC}	18	18	
Capacity	Ah	2.0	2.5	
Charger		90634971	90606845-01	Bare unit, not supplied

Hand/arm weighted vibration value according to EN 50636-2-100:

$$= < 2.5 \text{ m/s}^2, \text{ uncertainty (K) } = 1,5 \text{ m/s}^2.$$

$$L_{pa} \text{ (sound pressure) } 81.5 \text{ dB(A)}$$

$$\text{uncertainty (K) } = 0.7 \text{ dB(A)}$$

EC declaration of conformity

MACHINERY DIRECTIVE
OUTDOOR NOISE DIRECTIVE



BCBL200 L, BCBL200 L25, BCBL200 B blower

Black & Decker declares that these products described under "technical data" are in compliance with:
2006/42/EC, EN 60335-1: 2012+A11:2014;
EN 50636-2-100:2014

2000/14/EC, Blower, Annex V
DEKRA Certification B.V., Meander 1051/P.O. Box 5185
6825MJ ARNEM / 6802ED ARNHEM Netherlands Notified
Body ID No.: 0344

Level of acoustic power according to 2000/14/EC
(Article 13, Annex III):

$$L_{WA} \text{ (measured sound power) } 90.5 \text{ dB(A)}$$

$$\text{Uncertainty } = 0,8 \text{ dB(A)}$$

$$L_{WA} \text{ (guaranteed sound power) } 91 \text{ dB(A)}$$

These products also comply with Directive 2014/30/EU,
2011/65/EU.

For more information, please contact Black & Decker at the following address or refer to the back of the manual.

The undersigned is responsible for compilation of the technical file and makes this declaration on behalf of Black & Decker.



R. Laverick
Director of Engineering
Black & Decker Europe, 210 Bath Road, Slough,
Berkshire, SL1 3YD
United Kingdom
21/08/2018

Guarantee

Black & Decker is confident of the quality of its products and offers consumers a 24 month guarantee from the date of purchase. This guarantee is in addition to and in no way prejudices your statutory rights. The guarantee is valid within the territories of the Member States of the European Union and the European Free Trade Area.

To claim on the guarantee, the claim must be in accordance with Black & Decker Terms and Conditions and you will need to submit proof of purchase to the seller or an authorised repair agent. Terms and conditions of the Black & Decker 2 year guarantee and the location of your nearest authorised repair agent can be obtained on the Internet at www.2helpU.com, or by contacting your local Black & Decker office at the address indicated in this manual.

Please visit our website www.blackanddecker.co.uk to register your new Black & Decker product and receive updates on new products and special offers.

Сфера застосування

Ваші повітродувки BLACK+DECKER BCBL200 L, BCBL200 L25 та BCBL200 B призначені для очищення листя. Ці пристрої призначені лише для побутового використання.

Інструкції з техніки безпеки

Увага! при використанні пристроїв з живленням від електричної мережі/ бездротових пристроїв необхідно дотримуватись основних заходів безпеки, включаючи наступні, щоб знизити ризик виникнення пожежі, ураження електричним струмом, травм та матеріальних ушкоджень.

- ◆ Перед роботою з пристроєм уважно прочитайте це керівництво.
- ◆ Використання за призначенням описане в цьому керівництві. Використання будь-якого приладдя насадок чи додаткового обладнання або виконання операцій з приладом, не описаних у цьому посібнику, може призвести до особистих травм.
- ◆ Зберігайте це керівництво для отримання інформації у подальшому.

Використання пристрою

Будьте уважні під час використання пристрою.

- ◆ Завжди використовуйте захисні окуляри.
- ◆ Ніколи не дозволяйте дітям, особам зі зниженими фізичними, сенсорними або розумовими можливостями або особам, яким бракує досвіду чи знань, а також людям, які не ознайомлені з даними

інструкціями, використовувати пристрій; місцеві законодавчі акти можуть обмежувати вік оператора. У жодному разі не використовуйте пристрій, коли поряд знаходяться інші люди, особливо діти, або домашні тварини.

- ◆ Не дозволяйте дітям або тваринам підходити до робочої зони та торкатися пристроїв або електричних шнурів.
- ◆ Необхідний ретельний нагляд у випадках, коли пристрій використовується біля дітей.
- ◆ Цей пристрій не призначений для використання молодими та хворими людьми без нагляду.
- ◆ Цей інструмент не можна використовувати в якості іграшки.
- ◆ Використовуйте цей пристрій лише вдень або за умови хорошого штучного освітлення.
- ◆ Використовуйте лише у сухому місці. Не дозволяйте, щоб пристрій був вологим.
- ◆ Уникайте використання пристрою у погану погоду, особливо коли є ризик удару блискавки.
- ◆ Не занурюйте пристрій у воду.
- ◆ Не відкривайте корпус. Всередині відсутні деталі, які користувач може обслуговувати самостійно.
- ◆ Не використовуйте цей пристрій у вибухонебезпечних умовах, наприклад, у присутності легкозаймистих рідин, газів або пилу.

- ◆ Цей пристрій можна використовувати лише з джерелом живлення, що надається в комплекті.

Залишкові ризики

Під час використання інструмента можуть виникнути додаткові залишкові ризики, які не внесено до попереджень щодо техніки безпеки в цьому посібнику.

Ці ризики можуть виникнути через невірне або надмірне використання, тощо. Незважаючи на виконання всіх відповідних правил техніки безпеки та використання пристроїв безпеки, деяких залишкових ризиків уникнути неможливо.

Сюди належать:

- ◆ Травми через контакт з деталями, що рухаються/обертаються.
- ◆ Травми при заміні деталей, пильних полотен або аксесуарів.
- ◆ Травми через занадто тривале використання інструмента. Під час використання будь-якого інструменту протягом тривалого періоду часу не забувайте робити регулярні перерви.
- ◆ Порушення слуху.
- ◆ небезпека для здоров'я через вдихання пилу, що утворюється при використанні інструмента (наприклад, при роботі з деревом, особливо з дубом, березою та ДВП)

Після використання

- ◆ Коли пристрій не використовується, його необхідно зберігати у сухому, добре провітрюваному та недоступному для дітей місці.
- ◆ Дітям забороняється мати доступ до пристрою у місці зберігання.
- ◆ Якщо пристрій зберігається або транспортується в автомобілі, його необхідно помістити у багажник або зафіксувати, щоб уникнути рухів через раптові зміни швидкості або напрямку.

Перевірка та ремонт

- ◆ Перед використанням перевірте пристрій на наявність пошкоджених деталей. Перевірте на наявність пошкоджених деталей та інших умов, що можуть вплинути на роботу.
- ◆ Не використовуйте пристрій, якщо виявлено пошкодження або дефекти якоїсь деталі.
- ◆ Пошкоджені або дефектні деталі необхідно відремонтувати або замінити, звернувшись до авторизованого центру з ремонту.
- ◆ Ніколи не намагайтесь знімати або замінювати деталі, за винятком тих, що вказані у цьому керівництві.

Додаткові інструкції з техніки безпеки при роботі з повітродувками

У цьому керівництві описано використання за призначенням. Використання аксесуарів або

приладдя, виконання будь-яких дій з пристроєм, що суперечать рекомендаціям цього керівництва, може призвести до ризику травмування людини та/або пошкодження майна.

- ◆ Для захисту ніг під час роботи з пристроєм завжди вдягайте міцні черевики та довгі штани.
- ◆ Вимкніть пристрій, дочекайтесь, доки вентилятор зупиниться, та витягніть вилку з розетки, коли:
- ◆ Ви залишаєте пристрій без нагляду.
 - ◆ Ви прочищаєте засмічення.
 - ◆ Ви перевіряєте, налаштовуєте, очищуєте або виконуєте інші дії с пристроєм.
 - ◆ Пристрій починає занадто сильно вібрувати.
- ◆ Не розташовуйте вхідний або вихідний отвір пилососа біля очей або вух під час використання пристрою. Ніколи не здувайте сміття у напрямку людей, що знаходяться неподалік.
- ◆ Не використовуйте пристрій під дощем та не залишайте його на вулиці, коли йде дощ.
- ◆ Не переходьте посипані гравієм доріжки з увімкненим пристроєм. З пристроєм потрібно ходити, а не бігати.
- ◆ Не кладіть пристрій на гравій, коли він увімкнений.
- ◆ Завжди слідкуйте за стійким положенням ніг, особливо на схилах.

Не перенапружуйтеся та постійно зберігайте рівновагу.

- ◆ Не кладіть інші предмети на отвори пристрою. Не використовуйте пристрій із заблокованими отворами — слідкуйте, щоб волосся, пух, пил та все інше не потрапляло в отвори, тому що це може перешкоджати потоку повітря.

Вібрація

Значення вібрації, вказані в технічних даних та в декларації про відповідність, виміряні з дотриманням стандартних методів тестування, наданих у EN50636, можуть використовуватися для порівняння одного інструмента з іншим. Задекларовані значення вібрації можна також використовувати для попередньої оцінки впливу вібрації.

Увага! Значення вібрації під час використання інструмента може відрізнитися від задекларованого в залежності від способів використання інструмента. Рівень вібрації може перевищувати вказані значення. Оцінюючи вплив вібрації для визначення заходів безпеки за вимогами 2002/44/EC, щоб захистити людей, які регулярно використовують інструменти в роботі, необхідно враховувати реальні умови та способи використання інструмента, у тому числі всі періоди робочого циклу, наприклад час, коли інструмент вимкнено та коли він працює в режимі холостого ходу,

а також час, потрібний для запуску інструмента.

Увага! Використовуйте пристрій у спосіб, вказаний у цьому посібнику. Ваш пристрій розроблений так, щоб використовувати його у вертикальному положенні, всі інші варіанти використання можуть призвести до травми. Не використовуйте пристрій, коли його перевернуто набік або угору.

- ◆ Оператор або користувач відповідає за нещасні випадки та небезпеку щодо інших людей або їхнього майна.
- ◆ Не використовуйте розчинники та миючі рідини для очищення пристрою. Використовуйте плоский тупоносий шабер для видалення трави та бруду.
- ◆ Регулярно перевіряйте мішок для збирання на ознаки зносу та пошкодження.
- ◆ Замінні вентилятори доступні через офіційні сервісні центри Black & Decker. Використовуйте лише запасні деталі та аксесуари, рекомендовані компанією Black & Decker.
- ◆ Слідкуйте, щоб всі болти та гвинти були добре затягнені, щоб гарантувати безпечні умови роботи пристрою.

Безпека оточення

- ◆ Цей пристрій не призначений для використання особами (включаючи дітей) із зниженими фізичними,

сенсорними або розумовими можливостями або особами, яким бракує досвіду або знань за винятком випадків, коли такі особи працюють під наглядом або отримали інструкції щодо використання пристрою від особи, яка несе відповідальність за їх безпеку.

- ◆ Діти повинні знаходитись під контролем, щоб гарантувати, що вони не будуть грати з пристроєм.

Додаткові інструкції з техніки безпеки для батарей та зарядних пристроїв

Батареї

- ◆ Ніколи не намагайтесь відкривати батарею.
- ◆ Не занурюйте батарею у воду.
- ◆ Не зберігайте у місцях, де температура може перевищувати 40 °C.
- ◆ Заряджайте лише за температури навколишнього середовища між 10 °C та 40 °C.
- ◆ Заряджайте лише за допомогою зарядного пристрою, що надається з інструментом.
- ◆ При утилізації батарей дотримуйтесь інструкцій, наведених у розділі «Захист навколишнього середовища».

Зарядні пристрої

- ◆ Використовуйте зарядний пристрій BLACK+DECKER для

заряджання батарей лише того інструмента, з яким він був у комплекті. Інші батареї можуть вибухнути, спричинивши травми та пошкодження.

- ◆ У жодному разі не намагайтесь заряджати батареї, що не підлягають зарядці.
- ◆ негайно замінійте пошкоджений дріт живлення.
- ◆ Не занурюйте зарядний пристрій у воду.
- ◆ Не відкривайте корпус зарядного пристрою.
- ◆ Не розбирайте зарядний пристрій.



Зарядний пристрій призначений лише для використання в приміщенні.



Прочитайте інструкції цього посібника перед використанням.

Електрична безпека



Зарядний пристрій має подвійну ізоляцію, тому заземлення непотрібне. Завжди перевіряйте відповідність джерела живлення напрузі, що вказана на табличці з паспортними даними. Ніколи не намагайтесь замінювати зарядний пристрій звичайним мережним штепселем.

- ◆ Якщо шнур живлення пошкоджений, його необхідно замінити у виробника або в офіційному сервісному центрі компанії BLACK+DECKER для уникнення небезпеки.

Маркування на пристрої

Наведені нижче попереджувальні символи нанесені на пристрій разом в кодом дати:



Прочитайте ці інструкції перед використанням.



Використовуйте захисні окуляри при роботі з інструментом.



При використанні пристрою використовуйте засоби захисту органів слуху.



Завжди виймайте батарею з пристрою перед проведенням будь-яких робіт з очищення та технічного обслуговування.



Бережіться об'єктів, які летять. Тримайте сторонніх людей подалі від зони різання.



Не залишайте інструмент під дощем та в умовах підвищеної вологості.



У Директиві 2000/14/ЕС вказана гарантована звукова потужність.

Компоненти

Цей пристрій має всі або деякі з нижче перерахованих компонентів.

1. Перемикач
2. Труба повітродувки
3. Акумулятор

Заряджання акумулятора (лише блоків BCBL200 L та BCBL200 L25) (рис. А)

Зарядні пристрої BLACK+DECKER призначені для зарядки акумуляторних батарей BLACK+DECKER.

- ◆ Підключіть зарядний пристрій (4) до відповідної розетки перед встановленням акумулятора (3).
- ◆ Вставте акумулятор (3) у зарядний пристрій, переконавшись, що акумулятор до кінці встановлено в отвори зарядного пристрою (рис. А).

Світлодіод (4а) почне миготіти, що є свідченням того, що батарея заряджається.

Про завершення зарядки свідчить зелений світлодіод, який горить постійно та не миготить. Це означає, що акумулятор повністю заряджений, може використовуватися відразу або залишатися у зарядному пристрої.

- ◆ Заряджайте батареї, які розрядилися, якомога швидше після використання, інакше термін служби батарей може значно скоротитися.

Для подовження терміну служби батарей не розряджайте їх повністю. Рекомендується заряджати батареї після кожного використання.

Діагностика зарядного пристрою

Зарядний пристрій призначений для виявлення певних проблем, які можуть виникати з акумулятором або джерелом живлення. Проблеми відображаються різними сигналами світлодіода.

Несправна батарея

Зарядний пристрій може визначити розряджену або пошкоджену батарею. Світлодіод буде горіти, як вказано на піктограмі. Якщо ви побачите такий варіант світлодіодного сигналу, припиніть зарядку батареї. Поверніть її у сервісний центр або місце збирання батарей для переробки.

Затримка через занадто гарячий/холодний акумулятор

Якщо зарядний пристрій визначає, що акумулятор є занадто гарячим або занадто холодним, він автоматично вмикає режим температурної затримки, припиняючи процес зарядки, доки акумулятор не досягне нормальної температури. Після цього зарядний пристрій автоматично переходить до режиму зарядки батареї. Ця функція забезпечує максимальний термін служби акумулятора. Світлодіод горить, як вказано на піктограмі.

Залишення батареї в зарядному пристрої

Батареї можна залишити в зарядному пристрої на необмежений час з індикатором, який працює. Зарядний пристрій буде підтримувати батарею у повністю зарядженому стані.

Цей зарядний пристрій оснащено режимом автоматичного налаштування, який вирівнює або балансує окремі акумуляторні елементи, дозволяючи їм працювати з максимальною потужністю.

Акумулятор необхідно налаштовувати раз на тиждень або коли потужність акумулятора знижується. Для використання режиму автоматичного налаштування помістіть акумулятор у зарядний пристрій та залишіть його там протягом щонайменше 8 годин.

Важливі примітки щодо зарядки

- ◆ Найбільшу тривалість роботи та найкращу потужність акумулятор досягає при зарядці за температури навколишнього середовища 18 °C – 24 °C. НЕ заряджайте акумулятор, якщо температура повітря становить нижче +4,5 °C або вище +40 °C. Це дуже важливо, та дозволить уникнути серйозного пошкодження акумулятора.
- ◆ Під час зарядки зарядний пристрій та акумулятор можуть бути теплими на дотик. Це є нормою і не є показником проблеми. Щоб швидше охолодити батарею після використання, не поміщайте зарядний пристрій та батарею у тепле місце, наприклад у металевий гараж або трейлер без теплоізоляції.
- ◆ Якщо акумулятор не заряджається належним чином:
 - ◆ перевірте роботу батарейного відсіку, встановивши батарею у лампу або інший пристрій;
 - ◆ перевірте, чи розетка підключена до вимикача освітлення, який вимикає живлення, коли ви вимикаєте лампи;
 - ◆ помістіть зарядний пристрій та акумулятор у місце, де температура повітря становитиме приблизно 18 °C – 24 °C;
 - ◆ Якщо проблема не вирішується, віднесіть інструмент, акумулятор та зарядний пристрій у місцевий сервісний центр.
 - ◆ Акумулятор необхідно заряджати, коли він припиняє надавати достатньо потужності для завдань, які легко виконувались раніше. ПРИПИНІТЬ ВИКОРИСТАННЯ за цих умов. Дотримуйтесь процедури зарядки. Ви можете заряджати частково розряджену батарею, без шкоди для неї у будь-який час, коли забажаєте.
- ◆ Сторонні предмети, що проводять струм, наприклад, шліфувальний пил, металева стружка, металева мочалка, алюмінієва фольга або будь-які металеві деталі необхідно тримати подалі від зарядного пристрою. Відключіть зарядний пристрій від мережі живлення перед його очищенням.
- ◆ Не заморозуйте та не занурюйте зарядний пристрій у воду або будь-яку іншу рідину.

Встановлення акумулятора (лише блоків BCBL200 L and BCBL200 L25) (рис. B)

- ◆ Вставте акумулятор (3) в інструмент так, щоб почути звук клацання, як показано на рисунку B. Переконайтеся, що акумулятор повністю вставлений і зафіксований в цьому положенні.

Вийняття акумулятора (рис. С)

- ◆ Натисніть кнопку звільнення акумулятора (3а) в акумуляторному блоці (3) та витягніть акумуляторний блок з пристрою (5), як показано на рисунку С.

Встановлення труби повітродувки (рис. D)

- ◆ Підключіть трубу повітродувки (2) до основного корпусу повітродувки, вставивши виступи (2b) у виїмки (2а). Щоб вийняти трубу повітродувки, натисніть на виступи (2а) і розсуньте їх.

Увімкнення та вимкнення

Увага! Міцно утримуйте механізм обома руками під час увімкнення.

Увага! не спрямовуйте вихідний отвір пристрою на себе та інших людей.

- ◆ Щоб увімкнути повітродувку, посуньте перемикач вперед, як показано на рисунку Е.
- ◆ Щоб вимкнути повітродувку, змістіть перемикач назад.

Експлуатація

Увага! завжди вдягайте захисні окуляри. Використовуйте захисну маску при роботі у пильному середовищі.

Рекомендується вдягати рукавиці, довгі штани та міцне взуття. Тримайте вільний одяг та довге волосся подалі від працюючих та рухомих деталей. ЦЕЙ ПРИСТРІЙ ПРИЗНАЧЕНИЙ ЛИШЕ ДЛЯ ПОБУТОВОГО ВИКОРИСТАННЯ.

- ◆ Тримайте повітродувку однією рукою, як показано на малюнку F, та пересувайте штуцер зі сторони в сторону на відстані кілька дюймів над поверхнею. Повільно рухайтесь вперед, збираючи сміття у купу перед собою.

Пошук та усунення несправностей

Проблема	Можлива причина	Можливе рішення
Пристрій не запускається.	Акумулятор встановлений невірно.	Перевірте установку акумулятора.
	Акумулятор не заряджений.	Перевірте вимоги до зарядки акумулятора.

Проблема	Можлива причина	Можливе рішення
Акумулятор не заряджається.	Акумулятор не вставлений у зарядний пристрій.	Вставте акумулятор у зарядний пристрій до появи зеленого світлодіодного індикатора.
	Зарядний пристрій не підключений до мережі живлення.	Підключіть зарядний пристрій до робочої розетки. Див. додаткову інформацію у розділі «Важлива інформація про зарядку».
		Перевірте наявність струму в розетці шляхом підключення лампи або іншого пристрою.
Температура навколишнього середовища занадто висока або занадто низька.	Перевірте, чи розетка підключена до вимикача освітлення, який вимикає живлення, коли ви вимикаєте лампи.	
	Температура навколишнього середовища занадто висока або занадто низька.	Перемістіть зарядний пристрій та інструмент у місце з температурою вище 40 градусів F (4,5 °C) або нижче 105 градусів F (+40,5°C).

Захист навколишнього середовища

Роздільний збір. Пристрої та батареї, позначені цим символом, не можна викидати зі звичайним побутовим сміттям.

Пристрої та батареї містять матеріали, які можна відновити та переробити, що зменшить потребу у сировині. Будь ласка, віддавайте електричні інструменти та батареї на переробку відповідно до місцевих постанов.

Технічні дані

		BCBL200 L	BCBL200 L25	BCBL200 B
Вхідна напруга	V _{ac}	18	18	18
Швидкість без навантаження	об./хв.	19 500	19 500	19 500
Маса	кг	2,35	2,61	1,79
Акумулятор		90617054	N637662	Пристрій без акумулятора, не входить до комплекту
Напруга	V _{ac}	18	18	
Ємність	ампер-годин	2,0	2,5	
Зарядний пристрій		90634971	90606845-01	Пристрій без акумулятора, не входить до комплекту

Значення вібрації при навантаженні на кисть руки/руку відповідно до EN 50636-2-100:

$$= < 2,5 \text{ м/с}^2, \text{ похибка (К)} = 1,5 \text{ м/с}^2.$$

$$L_{\text{pa}} \text{ (звуковий тиск)} 81,5 \text{ дБ(А)}$$

$$\text{похибка (К)} = 0,7 \text{ дБ(А)}$$

Декларація про відповідність нормам ЄС

ДИРЕКТИВА ДЛЯ МЕХАНІЧНОГО ОБЛАДНАННЯ
ДИРЕКТИВА ПРО ШУМИ, ЩО ВИНΙΚАЮТЬ ПОЗА
ПРИМІЩЕННЯМИ



Повітрорудка BCBL200 L, BCBL200 L25, BCBL200 B

Компанія Black & Decker заявляє, що продукти, описані в розділі «Технічні дані» відповідають: 2006/42/EC, EN 60335-1: 2012+A11:2014; EN 50636-2-100:2014

2000/14/EC, повітрорудка, додаток V
DEKRA Certification B.V., Meander 1051/P.O. A/я 5185
6825MJ ARNEM / 6802ED ARNHEM Нідерланди Ідент.
№ нотифікованого органу сертифікації: 0344
Рівень акустичної потужності відповідно до 2000/14/EC
(Стаття 13, Додаток III):

$$L_{\text{WA}} \text{ (виміряна акустична потужність)} 90,5 \text{ дБ(А)}$$

$$\text{похибка} = 0,8 \text{ дБ(А)}$$

L_{WA} (гарантована акустична потужність) 91 дБ(А)
Дані вироби відповідають вимогам Директив 2014/30/EU і 2011/65/EU.

Для отримання додаткової інформації, будь ласка, зверніться до компанії Black & Decker за наступною адресою або прочитайте інформацію на зворотній стороні цього посібника.

Особа, яка підписалася нижче, несе відповідальність за упорядкування файлу технічних характеристик та робить цю заяву від компанії Black & Decker.

Р. Лаверік (R. Laverick),
технічний директор
Black & Decker Europe, 210 Bath Road, Slough,
Berkshire, SL1 3YD
United Kingdom (Великобританія)
21.08.2018

Гарантія

Компанія Black & Decker впевнена у якості своєї продукції та пропонує споживачам гарантію тривалістю 24 місяці з дати покупки. Ця гарантія доповнює і жодним чином не обмежує ваші законні права. Ця гарантія є чинною на території країн-членів Європейського Союзу та в європейській зоні вільної торгівлі.

Позив за гарантією повинен відповідати умовам компанії Black & Decker, при цьому вам необхідно буде надати доказ покупки продавцю або спеціалісту офіційного сервісного центру. Про умови 2-річної гарантії компанії Black & Decker та місцезнаходження найближчого до вас сервісного центру можна дізнатися в інтернеті на сайті www.2helpU.com, або можна звернутися до місцевого представництва компанії Black & Decker за адресою, вказаною у цьому посібнику.

Будь ласка, відвідайте наш сайт www.blackanddecker.ua, щоб зареєструвати свій новий продукт Black & Decker та отримувати інформацію про нові продукти та спеціальні пропозиції.



Виробник:
"Stanley Black & Decker Deutschland
GmbH" Black-&-Decker Str.40, D-65510
Idstein, Німеччина



ГАРАНТІЙНИЙ ТАЛОН

2 РОКИ
ГАРАНТІЇ

1. Вітаємо Вас з покупкою високоякісного виробу Black+Decker і висловлюємо вдячність за Ваш вибір.
2. При покупці виробу вимагайте перевірки його комплектності і справності у Вашій присутності, інструкцію з експлуатації та заповнений гарантійний талон українською мовою. В гарантійному талоні повинні бути внесені: модель, дата продажу, серійний номер, дата виробництва інструменту; назва, печатка і підпис торгової організації. За відсутності у Вас правильно заповненого гарантійного талону, а також при невідповідності зазначених у ньому даних ми будемо змушені відхилити Ваші претензії щодо якості даного виробу.
3. Щоб уникнути непорозумінь, переконливо просимо Вас перед початком роботи з виробом уважно ознайомитися з інструкцією з його експлуатації. Правовою основою справжніх гарантійних умов є чинне Законодавство. Гарантійний термін на даний виріб складає 24 місяці і обчислюється з дня продажу. У разі усунення недоліків виробу, гарантійний строк продовжується на період його перебування в ремонті. Термін служби виробу становить 5 років з дня продажу.
4. У разі виникнення будь-яких проблем у процесі експлуатації виробу рекомендуємо Вам звертатися тільки в уповноважені сервісні центри Black+Decker, адреси та телефони яких Ви зможете знайти в гарантійному талоні, на сайті www.2helpU.com або дізнатися в магазині. Наші сервісні станції - це не тільки кваліфікований ремонт, але і широкий асортимент запчастин і аксесуарів.
5. Виробник рекомендує проводити періодичну перевірку і технічне обслуговування виробу в уповноважених сервісних центрах.
6. Наші гарантійні зобов'язання поширюються тільки на несправності, виявлені протягом гарантійного терміну і викликані дефектами виробництва та \ або матеріалів.
7. Гарантійні умови не поширюються на несправності виробу, що виникли в результаті:
 - 7.1. Недотримання користувачем приписів інструкції з експлуатації виробу, застосування виробу не за призначенням, неправильного зберігання, використання приладдя, витратних матеріалів і запчастин, що не передбачені виробником.
 - 7.2. Механічного пошкодження (відколи, тріщини і руйнування) внутрішніх і зовнішніх деталей виробу, основних і допоміжних рукояток, мережевого кабелю, що викликані зовнішнім ударним або будь-яким іншим впливом
 - 7.3. Потрапляння у вентиляційні отвори та проникнення всередину виробу сторонніх предметів, матеріалів або речовин, що не є відходами, які супроводжують застосування виробу за призначенням, такими як: стружка, тирса, пісок, та ін.
 - 7.4. Впливу на виріб несприятливих атмосферних і інших зовнішніх факторів, таких як дощ, сніг, підвищена вологість, нагрівання, агресивні середовища, невідповідність параметрів електромережі, що зазначені на інструменті.
 - 7.5. Стихійного лиха. Пошкодження або втрати виробу, що пов'язані з непередбаченими лихами, стихійними явищами, у тому числі внаслідок дії непереборної сили (пожежа, блискавка, потоп і інші природні явища), а також внаслідок перепадів напруги в електромережі та іншими причинами, які знаходяться поза контролем виробника.
8. Гарантійні умови не поширюються:
 - 8.1. На інструменти, що піддавались розкриттю, ремонту або модифікації поза уповноваженим сервісним центром.
 - 8.2. На деталі, вузли та матеріали, що мають сліди природного зносу, такі як: приводні ремені і колеса, вугільні щітки, мастило, підшипники, зубчасті зчеплення редукторів, гумові ущільнення, сальники, направляючі ролики, муфти, вимикачі, бойки, штовхачі, стволи тощо.
 - 8.3. На змінні частини: патрони, цанги, затискні гайки і фланці, фільтри, ножі, шліфувальні підшви, ланцюги, зірочки, пильні шини, захисні кожухи, пилки, абразиви, пильні і абразивні диски, фрези, свердла, бури тощо
 - 8.4. На несправності, що виникли в результаті перевантаження інструменту (як механічного, так і електричного), що спричинили вихід з ладу одночасно двох і більше деталей і вузлів, таких як: ротора і статора, обох обмоток статора, веденої і ведучої шестерень редуктора або інших вузлів і деталей. До безумовних ознак перевантаження виробу відносяться, крім інших: поява кольорів мінливості, деформація або оплавлення деталей і вузлів виробу, потемніння або обуглювання ізоляції проводів електродвигуна під впливом високої температури.

Товар отриманий в справному стані, без видимих ушкоджень, в повній комплектації, перевірений у моїй присутності, претензій щодо якості товару не маю. З умовами гарантійного обслуговування ознайомлений і згоден.

П. І. Б. та підпис власника _____

Шановні клієнти, наша мережа авторизованих сервісних центрів постійно розширюється. Актуальну інформацію про обслуговування в місті, що цікавить вас, ви можете дізнатися на сайті

www.2helpU.com

Інформація про інструмент

Найменування інструменту	
Модель	
Найменування продавця	
Дата продажу	

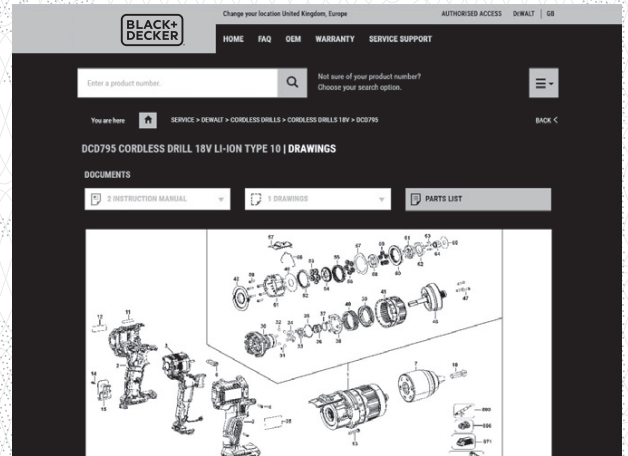
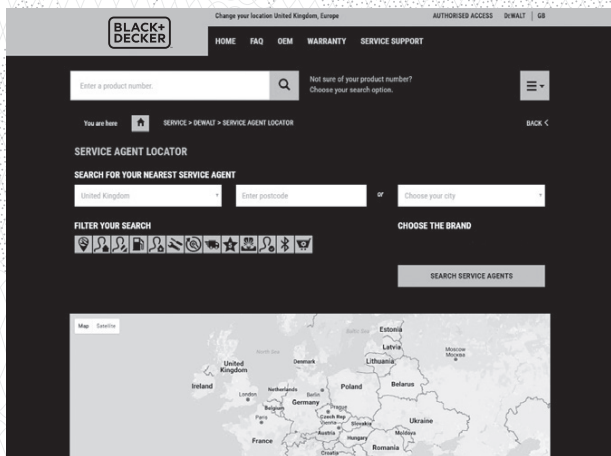
М.П.
Продавця

Серійний номер/Дата виробництва

Інструмент	
Зарядний пристрій	
Акумулятор 1	
Акумулятор 2	

На сайті www.2helpU.com доступні наступні функції:

- Список авторизованих сервісних центрів
- Зручний пошук найближчого сервісного центру
- Керівництво з експлуатації
- Технічні характеристики
- Список деталей і запасних частин
- Схема складання інструменту



**Також дану інформацію ви можете отримати, зателефонувавши за номером:
0 (800) 211 521 в Україні**

ВІДМІТКА ПРО ПРОВЕДЕННЯ СЕРВІСНОГО ОБСЛУГОВУВАННЯ

№1	№2	№3	№4
№ замовлення	№ замовлення	№ замовлення	№ замовлення
Дата прийому	Дата прийому	Дата прийому	Дата прийому
Дата ремонту	Дата ремонту	Дата ремонту	Дата ремонту
Печатка і підпис сервісного центру	Печатка і підпис сервісного центру	Печатка і підпис сервісного центру	Печатка і підпис сервісного центру