



English ( <i>original instructions</i> )	4
Deutsch ( <i>Übersetzung der Originalanweisung</i> )	9
Français ( <i>traduction de la notice d'instructions originale</i> )	14
Italiano ( <i>tradotto dalle istruzioni originali</i> )	19
Nederlands ( <i>vertaald vanuit de originele instructies</i> )	24
Español ( <i>traducido de las instrucciones originales</i> )	29
Português ( <i>traduzido das instruções originais</i> )	34
Svenska ( <i>översatt från de ursprungliga instruktionerna</i> )	39
Norsk ( <i>oversatt fra de originale instruksjonene</i> )	43
Dansk ( <i>oversat fra original brugsvejledning</i> )	47
Suomi ( <i>käännetty alkuperäisestä käyttöohjeesta</i> )	51
Ελληνικά ( <i>μετάφραση από τις πρωτότυπες οδηγίες</i> )	55



**GL250**

**GL310**

**GL360**

Fig. A

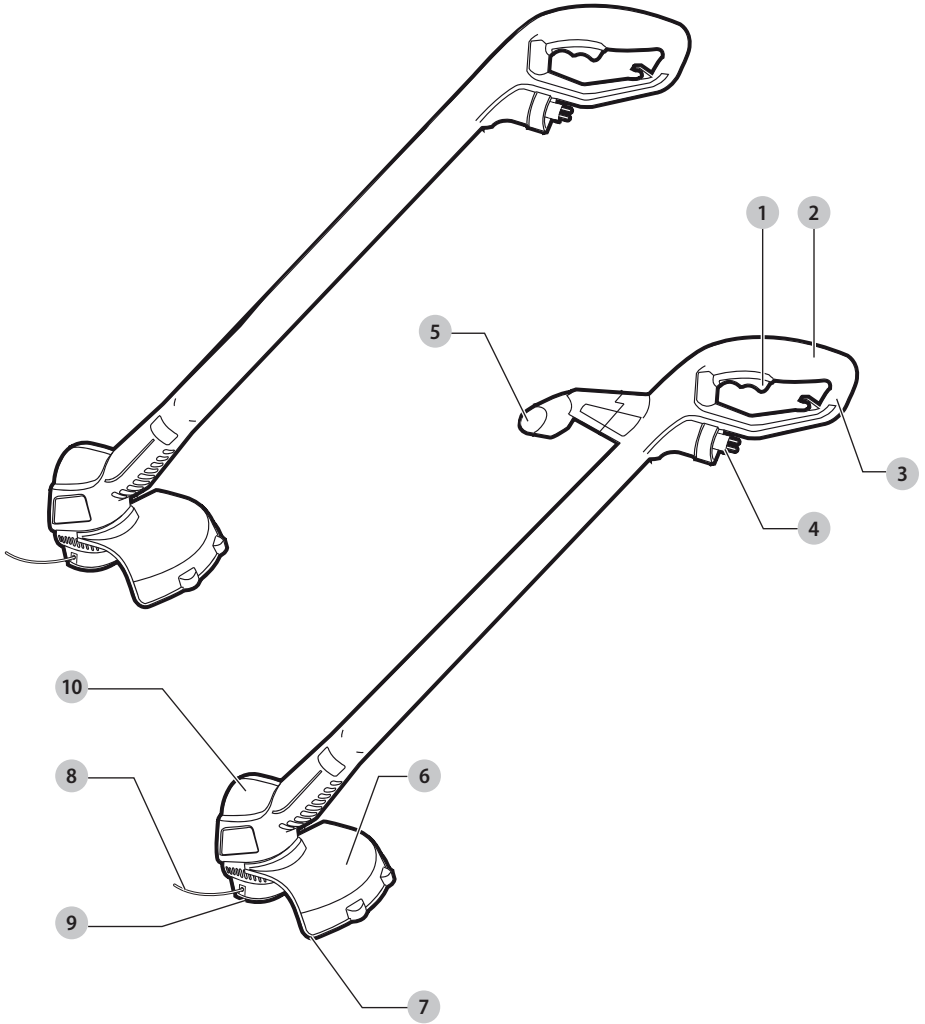


Fig. B

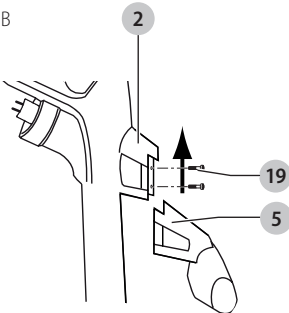


Fig. C

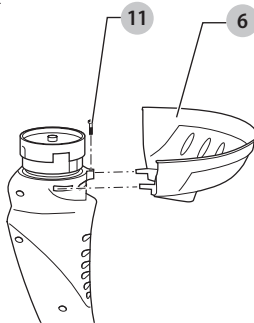


Fig. D

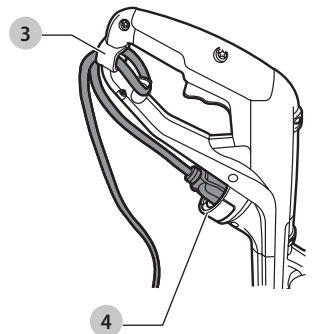


Fig. E

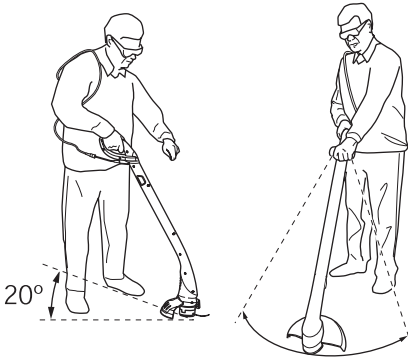


Fig. F

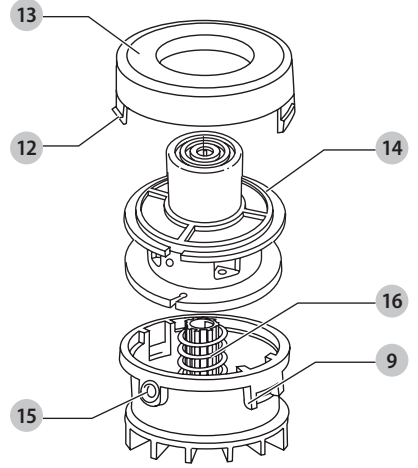


Fig. G

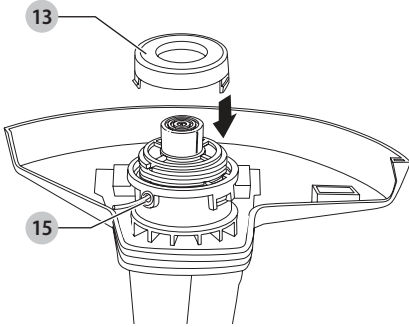


Fig. H

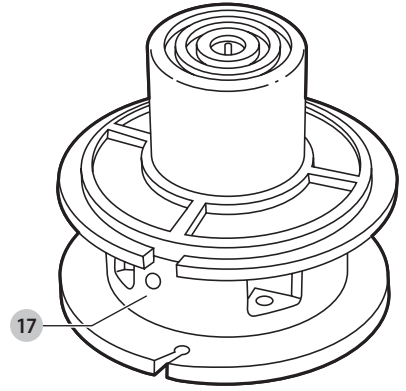


Fig. I

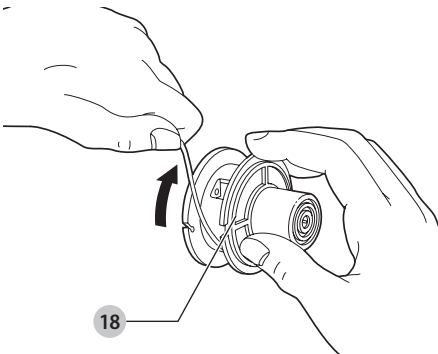
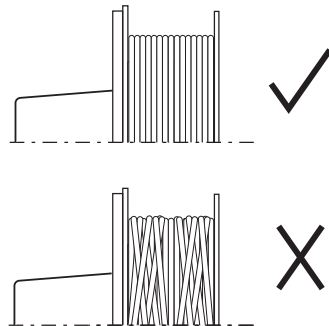


Fig. J



# TRIMMER

## GL250, GL310, GL360

### Intended Use

Your BLACK+DECKER™ GL250, GL310, GL360 trimmer has been designed for trimming and finishing lawn edges and to cut grass in confined spaces. This appliance is intended for consumer use only.

### SAFETY INSTRUCTIONS

**▲ WARNING!** When using mains-powered appliances, basic safety precautions, including the following, should always be followed to reduce the risk of fire, electric shock, personal injury and material damage.

**▲ WARNING!** When using the machine the safety rules must be followed. For your own safety and bystanders please read these instructions before operating the machine. Please keep the instructions safe for later use.

- Read all of this manual carefully before operating the appliance.
- The intended use is described in this manual. The use of any accessory or attachment or the performance of any operation with this appliance other than those recommended in this instruction manual may present a risk of personal injury.
- Retain this manual for future reference.

### Using your appliance

Always take care when using the appliance.

- Always use safety glasses or goggles.
- Never allow children or people unfamiliar with the instructions to use the appliance.
- Do not allow children or animals to come near the work area or to touch the appliance or power supply cord.
- Close supervision is necessary when the appliance is used near children.
- This appliance is not intended for use by young or infirm persons without supervision.
- This appliance is not to be used as a toy.
- Only use the appliance in daylight or good artificial light.
- Use in a dry location only. Do not allow the appliance to become wet.
- Do not immerse the appliance in water.
- Do not open the body casing. There are not user-serviceable parts inside.
- Do not operate the appliance in explosive atmospheres, such as in the presence of flammable liquids, gases or dust.
- To reduce the risk of damage to plugs or cords, never pull the cable to remove the plug from a socket.

### Safety of others

- This appliance can be used by children aged from 8 years and above and persons with reduced physical, sensory or mental capabilities or lack of experience and knowledge if they have been given supervision or instruction concerning use of the appliance in a safe way and understand the hazards involved.
- Children shall not play with the appliance. Cleaning and user maintenance shall not be made by children without supervision.

### Residual risks

Additional residual risks may arise when using the tool which may not be included in the enclosed safety warnings. These risks can arise from misuse, prolonged use etc.

Even with the application of the relevant safety regulations and the implementation of safety devices, certain residual risks can not be avoided. These include:

- Injuries caused by touching any rotating/moving parts.
- Injuries caused when changing any parts, blades or accessories.
- Injuries caused by prolonged use of a tool. When using any tool for prolonged periods ensure you take regular breaks.
- Impairment of hearing.
- Health hazards caused by breathing dust developed when using your tool (example: working with wood, especially oak, beech and MDF).

### After use

- When not in use, the appliance should be stored in a dry, well ventilated place out of reach of children.
- Children should not have access to stored appliances.
- When the appliance is stored or transported in a vehicle it should be placed in the boot or restrained to prevent movement following sudden changes in speed or direction.

### Inspection and repairs

- Before use, check the appliance for damaged or defective parts. Check for breakage of parts and any other conditions that may affect its operation.
- Do not use the appliance if any part is damaged or defective.
- Have any damaged or defective parts repaired or replaced by an authorised repair agent.
- Never attempt to remove or replace any parts other than those specified in this manual.

### Using an extension cable

Always use an approved extension cable suitable for the power input of this appliance (see **technical data**). The extension cable must be suitable for outdoor use and marked accordingly. Up to 30 m of 1.5 mm<sup>2</sup> H05VV-F extension cable can be used without loss of product performance. Before use, inspect the extension cable for signs of damage, wear and ageing. Replace the extension cable if damaged or defective. When using a cable reel, always unwind the cable completely.

### Additional safety instructions for grass trimmers

**▲ WARNING!** Cutting elements continue to rotate after the motor is switched off.

- Be familiar with the controls and the proper use of the appliance.
- Before use, check the power supply cord and extension cord for signs of damage, ageing and wear. If a cord becomes damaged during use, disconnect the cord from the mains supply immediately. DO NOT TOUCH THE CORD BEFORE DISCONNECTING THE SUPPLY.
- Do not use the appliance if the cords are damaged or worn.
- Wear stout shoes or boots to protect your feet.
- Wear long trousers to protect your legs.

- Before using the appliance, check that your cutting path is free from sticks, stones, wire and any other obstacles.
- Only use the appliance in the upright position, with the cutting line near the ground. Never switch the appliance on in any other position.
- Move slowly when using the appliance. Be aware that freshly cut grass is damp and slippery.
- Do not work on steep slopes. Work across the face of slopes, not up and down.
- Never cross gravel paths or roads while the appliance is running.
- Never touch the cutting line while the appliance is running.
- Do not put the appliance down until the cutting line has come to a complete standstill.
- Use only the appropriate type of cutting line. Never use metal cutting line or fishing line.
- Be careful not to touch the line trimming blade.
- Take care to keep the mains cable away from the cutting line. Always be aware of the position of the cable.
- Keep hands and feet away from the cutting line at all times, especially when switching on the motor.
- Before using the appliance and after any impact, check for signs of wear or damage and repair as necessary.
- Never operate the appliance with damaged guards or without guards in place.
- Take care against injury from any device fitted for trimming the filament line length. After extending new cutter line always return the machine to its normal operating position before switching on.
- Always ensure that the ventilation slots are kept clear of debris.
- Do not use the lawn trimmer (edge trimmer), if the cords are damaged or worn.
- Keep extension cords away from cutting elements.

## Labels on appliance

The following pictograms are shown on the tool along with the date code:



Read the manual prior to operation.



Wear safety glasses or goggles when operating this appliance.



Wear suitable ear protectors when operating this appliance.



Always remove the plug from the socket before inspecting a damaged cable. Be careful not to use your strimmer if the cable is damaged.



Beware of flying objects. Keep bystanders away from the cutting area.



Do not expose the appliance to rain or high humidity.



Directive 2000/14/EC guaranteed sound power.

## Electrical safety



This appliance is double insulated; therefore no earth wire is required. Always check that the power supply corresponds to the voltage on the rating plate.

- If the supply cord is damaged, it must be replaced by the manufacturer or an authorised BLACK+DECKER Service Centre in order to avoid a hazard.
- Electric safety can be further improved by using a high sensitivity 30 mA Residual Current Device (RCD).

## Features

This appliance includes some or all of the following features.

- 1 On/off switch
- 2 Handle
- 3 Cable restraint
- 4 Power inlet
- 5 Second handle
- 6 Guard
- 7 Line trimming blade
- 8 Cutting line
- 9 Spool housing
- 10 Head

## ASSEMBLY

**▲ WARNING!** Before assembly, make sure that the tool is switched off and unplugged.

### Attaching the second handle (Fig. B) GL310 & GL360 only

- Slide the second handle **5** on to the main handle **2** in an upwards direction.
- Secure the second handle in place with the two screws **19** provided.

### Fitting the guard (Fig. C)

- Place the guard onto the tool as shown.
- Firmly press the guard **6** until it snaps into place.
- Secure the guard with the screw **11**.

**▲ WARNING!** Never use the tool unless the guard is properly fitted.

### Releasing the cutting line (Fig. A)

In transit, the cutting line is taped to the spool housing.

- Remove the tape holding the cutting line **8** to the spool housing **9**.

### Connecting the tool to the mains (Fig. D)

- Connect the female plug of a suitable extension cable to the power inlet **4**.
- Loop the cable through the cable restraint **3**.
- Insert the mains plug into a mains outlet.

For wired in cable units: Make sure the cable is looped through the cable restraint prior to connecting the plug to the mains outlet.

**▲ WARNING!** *The extension cable must be suitable for outdoor use.*

## USE

**▲ WARNING!** *Let the tool work at its own pace. Do not overload.*

## Switching on and off (Fig. A)

- To switch the tool on, squeeze the trigger lever **1**.
- To switch the tool off, release the trigger lever.

**▲ WARNING!** *Never attempt to lock the trigger lever in the on position.*

## HINTS FOR OPTIMUM USE

### General

In order to achieve optimum cutting results, only cut dry grass.

### Trimming (Fig. E)

- Hold the tool as shown in Fig. E.
- Gently swing the trimmer from side to side.
- When cutting long grass, work in stages from the top. Take small cuts.
- Keep the tool away from hard objects and delicate plants.
- Cutting line will wear faster and require more feeding if the cutting is done along pavements or other abrasive surfaces or heavier weeds are being cut.
- As you use the trimmer, the string will get shorter due to wear. Gently bump the unit on the ground whilst running and the line will feed.
- If the tool starts running slowly, reduce the load.

### Fitting a new spool of cutting line (Fig. A, F, G)

Replacement spools of cutting line are available from your BLACK+DECKER dealer (cat. no. A6226).

- Keep the tabs **12** depressed and remove the spool cover **13** from the housing **9**.
- Remove the empty spool **14** from the spool housing.
- Remove any dirt and grass from the spool cover and housing.
- Take the new spool and unwind approximately 10 cm of cutting line.
- Feed the cutting line through the eyelet **15**.
- Push the spool onto the drive shaft **16** and rotate it slightly until it is seated. Make sure that the cutting line is not trapped under the spool and that 10 cm of cutting line protrudes from the housing.
- Align the tabs **12** on the spool cover with the holes in the housing **15**.
- Push the cover onto the housing until it snaps securely into place.

**▲ WARNING!** *If the cutting line protrudes beyond the trimming blade **7**, cut it off so that it just reaches the blade.*

### Winding a new cutting line onto an empty spool (Fig. H–J)

You may wind new cutting line onto an empty spool.

Replacement packs of cutting line are available from your BLACK+DECKER dealer [cat. no. A6170 (25 m), A6046 (37.5 m) and A6171 (40 m)].

- Remove the empty spool from the tool as described above.

- Remove any remaining cutting line from the spool.
- Feed 2 cm of cutting line into one of the holes **17** in the spool as shown.
- Wind the cutting line onto the spool in the direction of the arrow **18**. Make sure to wind the line on neatly and in layers. Do not criss-cross.
- Let the line protrude approximately 10 cm from the spool and hold a finger on the line to keep it in place.
- Proceed as described above to fit the spool on the tool.

**▲ WARNING!** *Only use the appropriate type of BLACK+DECKER cutting line.*

### Mains plug replacement (U.K. & Ireland only)

If a new mains plug needs to be fitted:

- Safely dispose of the old plug.
- Connect the brown lead to the live terminal in the new plug.
- Connect the blue lead to the neutral terminal.

**▲ WARNING!** *No connection is to be made to the earth terminal. Follow the fitting instructions supplied with good quality plugs. Recommended fuse: 5 A.*

## TROUBLESHOOTING

If your tool seems not to operate properly, follow the instructions below. If this does not solve the problem, please contact your local BLACK+DECKER repair agent.

**▲ WARNING!** *Before proceeding, unplug the tool.*

### Appliance runs slowly

- Check that the spool housing can rotate freely. Carefully clean it if necessary.
- Check that the cutting line does not protrude more than 11 cm from the spool housing. If it does, cut it off so that it just reaches the line trimming blade.

### If the bump feed does not work

- Keep the tabs depressed and remove the spool cover from the housing.
- Pull the cutting line until it protrudes 11 cm from the housing. If insufficient cutting line is left on the spool, install a new spool of cutting line as instructed above.
- Align the tabs on the spool cover with the cut outs in the housing.
- Push the cover onto the housing until it snaps securely into place.
- If the cutting line protrudes beyond the trimming blade, cut it off so that it just reaches the blade.

If the bump feed still does not work or the spool is jammed, try the following suggestions:

- Carefully clean the spool cover and housing.
- Remove the spool and check that the spring is in place.
- Remove the spool and unwind the cutting line, then wind it on neatly again as described above. Replace the spool as instructed.

## MAINTENANCE

Your BLACK+DECKER corded/cordless appliance/tool has been designed to operate over a long period of time with a minimum of maintenance. Continuous satisfactory operation depends upon proper tool/appliance care and regular cleaning.

**▲ WARNING!** *Before performing any maintenance on corded/cordless power tools:*

- Switch off and unplug the appliance/tool.

- Or switch off and remove the battery from the appliance/tool if the appliance/tool has a separate battery pack.
- Or run the battery down completely if it is integral and then switch off.
- Unplug the charger before cleaning it. Your charger does not require any maintenance apart from regular cleaning.
- Regularly clean the ventilation slots in your tool/appliance and charger using a soft brush or dry cloth.
- Regularly clean the motor housing using a damp cloth. Do not use any abrasive or solvent-based cleaner.

### Protecting the environment



Separate collection. This product must not be disposed of with normal household waste.

Should you find one day that your BLACK+DECKER product needs replacement, or if it is of no further use to you, do not dispose of it with household waste. Make this product available for separate collection.



Separate collection of used products and packaging allows materials to be recycled and used again. Re-use of recycled materials helps prevent

environmental pollution and reduces the demand for raw materials

Local regulations may provide for separate collection of electrical products from the household, at municipal waste sites or by the retailer when you purchase a new product.

BLACK+DECKER provides a facility for the collection and recycling of BLACK+DECKER products once they have reached the end of their working life. To take advantage of this service please return your product to any authorised repair agent who will collect them on our behalf.

You can check the location of your nearest authorised repair agent by contacting your local BLACK+DECKER office at the address indicated in this manual. Alternatively, a list of authorised BLACK+DECKER repair agents and full details of our after-sales service and contacts are available on the Internet at:

[www.2helpU.com](http://www.2helpU.com).

### Technical data

		GL250 Type 1	GL310 Type 1	GL360 Type 1
Input Voltage	$V_{AC}$	230	230	230
Power Input	W	250	300	350
No-Load Speed	$\text{min}^{-1}$	11500	11500	11500
Weight	kg	1.3	1.6	1.6

Hand/arm weighted vibration value according to EN50636-2-91:2014:

= 7.2  $\text{m/s}^2$ , uncertainty (K) = 1.5  $\text{m/s}^2$ .

LPA (sound pressure) 80 dB(A), uncertainty (K) = 1.1 dB(A)

### EC DECLARATION OF CONFORMITY

#### MACHINERY DIRECTIVE OUTDOOR NOISE DIRECTIVE



GL250/GL310/GL360 - Trimmer

BLACK+DECKER declares that these products described under "technical data" are in compliance with:

2006/42/EC, EN60335-1:2012 + A11:2014 + A13:2017 + A1:2019 + A14:2019 + A2:2019, EN50636-2-91:2014.

2000/14/EC, Lawn Trimmer, L < 50cm, Annex VI,

DEKRA Testing and Certification GmbH,  
Handwerkstraße 15, 70565 Stuttgart

Location Certification Body,

Dinnendahlstr. 9, 44809 Bochum Germany

Notified Body number: 0158

$L_{WA}$  (measured sound power level) 93 dB(A),

Uncertainty (K) = 2.8 dB(A),

$L_{WA}$  (guaranteed sound power level) 96 dB(A).

These products also comply with directive 2014/30/EU, 2011/65/EU.

For more information, please contact BLACK+DECKER at the following address or refer to the back of the manual.

The undersigned is responsible for compilation of the technical file and makes this declaration on behalf of BLACK+DECKER.

*Patrick Diepenbach*

Patrick Diepenbach  
General Manager, Benelux  
Black and Decker,  
Egide Walschaertsstraat 14-18  
2800 Mechelen, Belgium  
15.06.2021

### DECLARATION OF CONFORMITY THE SUPPLY OF MACHINERY (SAFETY) REGULATIONS 2008



#### GL250/GL310/GL360 - Trimmer

BLACK+DECKER declares that these products described under "technical data" are in compliance with:

The Supply of Machinery (Safety) Regulations, 2008, S.I. 2008/1597 (as amended), EN60335-1:2012 + A11:2014 + A13:2017 + A1:2019 + A14:2019 + A2:2019, EN50636-2-91:2014.

The Noise Emission in the Environment by Equipment for use Outdoors Regulations 2001, S.I. 2001/1701 (as amended), Schedule 9.

Intertek Testing & Certification Ltd  
Academy Place, 1-9 Brook Street, Brentwood, Essex,  
CM145NQ United Kingdom  
Approved Body Number: 0359

$L_{WA}$  (measured sound power level) 93 dB(A),

Uncertainty (K) = 2.8 dB(A),

$L_{WA}$  (guaranteed sound power level) 96 dB(A).

These products also conform to the following UK Regulations: Electromagnetic Compatibility Regulations, 2016, S.I.2016/1091 (as amended).

The Restriction of the Use of Certain Hazardous Substances in Electrical and Electronic Equipment Regulations 2012, S.I. 2012/3032 (as amended).

For more information, please contact BLACK+DECKER at the following address or refer to the back of the manual.

The undersigned is responsible for compilation of the technical file and makes this declaration on behalf of BLACK+DECKER.



Paul Featherstone  
Product Director – Outdoor Products Group  
BLACK+DECKER UK,  
270 Bath Road, Slough  
Berkshire, SL1 4DX  
England  
15.06.2021

**Guarantee**

BLACK+DECKER is confident of the quality of its products and offers an outstanding guarantee. This guarantee statement is in addition to and in no way prejudices your statutory rights. The guarantee is valid within the territories of the Member States of the European Union and the European Free Trade Area.

If a BLACK+DECKER product becomes defective due to faulty materials, workmanship or lack of conformity, within 24 months from the date of purchase, BLACK+DECKER guarantees to replace defective parts, repair products subjected to fair wear and tear or replace such products to ensure minimum inconvenience to the customer unless:

- The product has been used for trade, professional or hire purposes;
- The product has been subjected to misuse or neglect;
- The product has sustained damage through foreign objects, substances or accidents;
- Repairs have been attempted by persons other than authorised repair agents or BLACK+DECKER service staff.

To claim on the guarantee, you will need to submit proof of purchase to the seller or an authorised repair agent. You can check the location of your nearest authorised repair agent by contacting your local BLACK+DECKER office at the address indicated in this manual. Alternatively, a list of authorised BLACK+DECKER repair agents and full details of our after-sales service and contacts are available on the Internet at: [www.2helpU.com](http://www.2helpU.com).

Please visit our website [www.blackanddecker.co.uk](http://www.blackanddecker.co.uk) to register your new BLACK+DECKER product and to be kept up to date on new products and special offers. Further information on the BLACK+DECKER brand and our range of products is available at [www.blackanddecker.co.uk](http://www.blackanddecker.co.uk).



# TRIMMER

## GL250, GL310, GL360

### Bestimmungsgemäße Verwendung

Ihr Rasentrimmer GL250, GL310, GL360 von BLACK+DECKER™, wurde für das Trimmen und Zuschneiden von Rasenkanten sowie für das Schneiden von Gras in beengten Platzverhältnissen entwickelt. Dieses Gerät ist nicht für den gewerblichen Einsatz vorgesehen.

### SICHERHEITSHINWEISE

**▲ ACHTUNG!** Beachten Sie beim Umgang mit netzstrombetriebenen Geräten stets die grundlegenden Sicherheitshinweise, die im Folgenden beschrieben werden. Dadurch verhindern Sie Brände, Stromschläge sowie Sach- und Personenschäden.

**▲ ACHTUNG!** Beachten Sie beim Verwenden des Geräts unbedingt die Sicherheitsregeln. Lesen Sie zu Ihrer eigenen Sicherheit und zum Schutz in der Nähe befindlicher Personen vor Gebrauch des Geräts die folgende Bedienungsanleitung. Heben Sie diese Anleitung zur späteren Verwendung gut auf.

- Lesen Sie diese Anleitung vollständig und aufmerksam durch, bevor Sie das Gerät verwenden.
- Der vorgesehene Verwendungszweck ist in dieser Anleitung beschrieben. Bei Verwendung von Zubehör oder Anbauteilen, die nicht in dieser Anleitung empfohlen werden, sowie bei der Verwendung des Geräts in Abweichung von den in dieser Anleitung beschriebenen Verfahren besteht Verletzungsgefahr.
- Bewahren Sie diese Anleitung auf.

### Verwendung des Geräts

Verwenden Sie das Gerät stets mit Umsicht.

- Tragen Sie stets eine Schutzbrille.
- Das Gerät darf nicht von Kindern und Personen genutzt werden, die die vorliegenden Anleitungen nicht gelesen haben.
- Achten Sie darauf, dass sich im Arbeitsbereich keine Kinder oder Tiere aufhalten. Verhindern Sie, dass Kinder das Gerät oder das Netzkabel berühren.
- Seien Sie besonders vorsichtig, wenn Sie das Gerät in der Nähe von Kindern verwenden.
- Das Gerät ist nicht für die unbeaufsichtigte Verwendung durch Kinder oder gebrechliche Personen vorgesehen.
- Das Gerät ist kein Spielzeug.
- Betreiben Sie das Gerät nur bei Tageslicht oder bei ausreichender Beleuchtung.
- Verwenden Sie das Gerät nur in trockener Umgebung. Achten Sie darauf, dass das Gerät nicht nass wird.
- Tauchen Sie das Gerät nicht in Wasser.
- Versuchen Sie nicht, das Gehäuse zu öffnen. Im Inneren befinden sich keine zu wartenden Teile.
- Betreiben Sie das Gerät nicht in explosionsgefährdeter Umgebung, in der sich brennbare Flüssigkeiten, Gase oder Staub befinden.
- Ziehen Sie niemals am Kabel, wenn Sie den Stecker aus der Steckdose ziehen möchten. Kabel und Stecker könnten sonst beschädigt werden.

### Sicherheit anderer Personen

- Dieses Gerät kann von Kindern ab 8 Jahren und Personen mit körperlichen, sensorischen oder geistigen Einschränkungen bzw. ohne Erfahrung und Kenntnisse verwendet werden,

wenn sie beaufsichtigt werden oder ihnen die sichere Verwendung des Geräts erklärt wurde und sie die vorhandenen Gefahren verstehen.

- Kinder dürfen nicht mit dem Gerät spielen. Reinigung und Wartungsarbeiten dürfen von Kindern nur unter Aufsicht durchgeführt werden.

### Restrisiken

Für den Gebrauch dieses Geräts verbleiben zusätzliche Restrisiken, die möglicherweise nicht in den Sicherheitswarnungen genannt werden. Diese Risiken bestehen beispielsweise bei Missbrauch oder längerem Gebrauch.

Auch bei der Einhaltung der entsprechenden Sicherheitsvorschriften und der Verwendung aller Sicherheitsgeräte bestehen weiterhin bestimmte Restrisiken. Diese werden im Folgenden aufgeführt:

- Das Berühren von sich drehenden/bewegenden Teilen kann Verletzungen zur Folge haben.
- Der Austauschen von Teilen, Messern oder Zubehör kann Verletzungen zur Folge haben.
- Der längere Gebrauch eines Geräts kann Verletzungen zur Folge haben. Legen Sie bei längerem Gebrauch regelmäßige Pausen ein.
- Beeinträchtigung des Gehörs.
- Gesundheitsrisiken durch das Einatmen von Staub beim Verwenden des Geräts (beispielsweise bei Holzarbeiten, insbesondere Eiche, Buche und Pressspan).

### Nach dem Gebrauch

- Bewahren Sie das Gerät bei Nichtgebrauch an einem trockenen, gut belüfteten Ort außerhalb der Reichweite von Kindern auf.
- Kinder sollten keinen Zugang zu aufbewahrten Geräten haben.
- Wenn das Gerät in einem Fahrzeug transportiert oder gelagert wird, bewahren Sie es im Kofferraum oder einer geeigneten Ablage auf, damit es bei plötzlichen Geschwindigkeits- oder Richtungsänderungen nicht in Bewegung geraten kann.

### Inspektion und Reparaturen

- Prüfen Sie das Gerät vor der Verwendung auf beschädigte oder defekte Teile. Prüfen Sie, ob Teile beschädigt sind oder andere Bedingungen vorliegen, die die Funktion beeinträchtigen können.
- Betreiben Sie das Gerät nicht, wenn ein Teil beschädigt oder defekt ist.
- Lassen Sie beschädigte oder defekte Teile in einer Vertragswerkstatt reparieren oder austauschen.
- Ersetzen oder entfernen Sie keine Teile, für die in dieser Anleitung keine entsprechende Beschreibung enthalten ist.

### Verwenden eines Verlängerungskabels

Verwenden Sie ausschließlich geprüfte Verlängerungskabel, die für die Leistungsaufnahme dieses Geräts ausgelegt sind (siehe **Technische Daten**). Das Verlängerungskabel muss für die Verwendung im Außenbereich geeignet und entsprechend markiert sein. Es kann ein 1,5 mm<sup>2</sup>-H05VV-F-Verlängerungskabel mit einer Länge von bis zu 30 m verwendet werden, ohne dass die Leistung des Geräts beeinträchtigt

wird. Prüfen Sie vor der Inbetriebnahme das Netzkabel auf Verschleiß und Beschädigungen. Wechseln Sie beschädigte oder fehlerhafte Verlängerungskabel aus. Beim Verwenden einer Kabeltrommel muss das Kabel stets vollständig abgewickelt sein.

## Zusätzliche Sicherheitshinweise für Rasentrimmer

**▲ ACHTUNG!** Die Schneidvorrichtung rotiert nach Abschalten des Geräts einige Sekunden lang weiter.

- Machen Sie sich mit den Bedienelementen und dem ordnungsgemäßen Gebrauch des Geräts vertraut.
- Prüfen Sie vor der Inbetriebnahme Netz- und Verlängerungskabel auf Beschädigungen und Verschleiß. Trennen Sie das Gerät sofort vom Stromnetz, wenn ein Kabel während des Betriebs beschädigt wird. **BERÜHREN SIE DAS KABEL NICHT, SOLANGE DER STECKER NOCH IN DER NETZSTECKDOSE STECKT.**
- Verwenden Sie das Gerät nicht, wenn die Kabel beschädigt oder abgenutzt sind.
- Tragen Sie stabile Schuhe oder Stiefel, um Ihre Füße zu schützen.
- Tragen Sie lange Hosen, um Ihre Beine zu schützen.
- Vergewissern Sie sich vor Verwenden des Geräts, dass die zu beschneidende Fläche frei von Ästen, Steinen, Draht und anderen Objekten ist.
- Verwenden Sie das Gerät ausschließlich in aufrechter Stellung und mit Schneidfäden in Bodennähe. Schalten Sie das Gerät keinesfalls in einer anderen Stellung ein.
- Achten Sie bei Verwendung des Geräts auf langsame Bewegungen. Bedenken Sie, dass frisch gemähtes Gras feucht und rutschig sein kann.
- Arbeiten Sie nie an steilen Hängen. Schieben Sie das Gerät immer parallel zum Hang, nie den Hang hinauf oder hinunter.
- Schalten Sie das Gerät vor dem Überqueren von Kieswegen und Straßen aus.
- Berühren Sie niemals den Schneidfaden, während sich das Gerät in Betrieb befindet.
- Warten Sie stets, bis der Schneidfaden vollständig zum Stillstand gekommen ist, bevor Sie das Gerät absetzen.
- Verwenden Sie ausschließlich geeignete Schneidfäden. Verwenden Sie keinesfalls Schneidfäden aus Metall oder Angelschnur.
- Berühren Sie auf keinen Fall das Fadenschneidemesser.
- Achten Sie darauf, dass das Stromkabel nicht in die Nähe des Schneidfadens gerät. Achten Sie stets auf die Lage des Stromkabels.
- Halten Sie Hände und Füße stets vom Schneidfaden fern, insbesondere beim Einschalten des Geräts.
- Überprüfen Sie das Gerät vor Gebrauch und nach Stößen auf Beschädigungen und Verschleiß, und veranlassen Sie notwendige Reparaturmaßnahmen.
- Betreiben Sie keinesfalls das Gerät, wenn die Schutzvorrichtungen beschädigt oder nicht ordnungsgemäß angebracht sind.
- Schützen Sie sich vor Verletzungen beim Verwenden von Geräten zum Verkürzen des Schneidfadens. Bringen Sie nach Herausziehen des neuen Schneidfadens das Gerät vor dem Einschalten in die normale Betriebsposition.
- Stellen Sie stets sicher, dass die Lüftungsschlitze frei von Verschmutzungen sind.

- Verwenden Sie den Rasentrimmer (Kantentrimmer) nicht, wenn die Kabel beschädigt oder abgenutzt sind.
- Halten Sie Verlängerungskabel von der Schneidvorrichtung fern.

## Warnsymbole am Gerät

Am Gerät sind die folgenden Warnsymbole inkl. Datumscode angebracht:



Lesen Sie vor Inbetriebnahme die Bedienungsanleitung.



Lesen Sie vor Inbetriebnahme die Bedienungsanleitung.



Tragen Sie einen geeigneten Gehörschutz, wenn Sie mit dem Gerät arbeiten.



Ziehen Sie stets den Stecker aus der Netzsteckdose, bevor Sie das Kabel auf Schäden überprüfen. Verwenden Sie den Rasentrimmer auf keinen Fall, wenn das Kabel beschädigt ist.



Beware of flying objects. Keep bystanders away from the cutting area.



Schützen Sie das Gerät vor Feuchtigkeit und Regen.



Garantierter Schalldruckpegel, gemessen nach Richtlinie 2000/14/EG.

## Elektrische Sicherheit



Dieses Gerät ist schutzisoliert, daher ist keine Masseleitung erforderlich. Überprüfen Sie stets, ob die Netzspannung der auf dem Typenschild des Geräts angegebenen Spannung entspricht.

- Ist das Netzkabel beschädigt, muss es durch den Hersteller oder eine BLACK+DECKER Vertragswerkstatt ausgetauscht werden, um eine mögliche Gefährdung zu vermeiden.
- Die Verwendung eines Fehlerstromschutzschalters (30 mA) erhöht die elektrische Sicherheit.

## Merkmale

Dieses Gerät verfügt über einige oder alle der folgenden Merkmale:

- 1 Ein-/Ausschalter
- 2 Handgriff
- 3 Kabelhalterung
- 4 Netzanschluss
- 5 Zusatzgriff
- 6 Schutzvorrichtung

- 7 Fadenschneidemesser
- 8 Schneidfaden
- 9 Spulengehäuse
- 10 Kopf

## MONTAGE

**▲ ACHTUNG!** Vergewissern Sie sich vor der Montage, dass das Gerät ausgeschaltet ist und der Netzstecker gezogen wurde.

### Anbringen des Zusatzgriffs (Abb. [Fig.] B) nur GL310 und GL360

- Schieben Sie den Zusatzgriff **5** von unten auf den Hauptgriff **2**.
- Fixieren Sie den Zusatzgriff mithilfe der beiden mitgelieferten Schrauben **19**.

### Anbringen der Schutzvorrichtung (Abb. C)

- Bringen Sie die Schutzvorrichtung wie dargestellt am Gerät an.
- Drücken Sie die Schutzvorrichtung **6** in ihre Position, bis sie einrastet.
- Fixieren Sie die Schutzvorrichtung mit der Schraube **11**.

**▲ ACHTUNG!** Verwenden Sie das Gerät ausschließlich mit ordnungsgemäß angebrachter Schutzvorrichtung.

### Freigeben des Schneidfadens

Während des Transports ist der Schneidfaden mit Klebeband am Spulengehäuse befestigt.

- Entfernen Sie das Klebeband, mit dem der Schneidfaden **8** am Spulengehäuse **9** befestigt ist.

### Anschließen des Geräts an die Netzstromversorgung (Abb. D)

- Verbinden Sie die Steckerbuchse eines geeigneten Verlängerungskabels mit dem Netzanschluss **4**.
- Führen Sie das Kabel durch die Kabelhalterung **3**.
- Stecken Sie den Netzstecker in die Steckdose.

Bei der Verwendung von Kabelauflösvorrichtungen: Stellen Sie sicher, dass das Kabel in der Kabelhalterung befestigt ist, bevor Sie den Netzstecker in die Steckdose stecken.

**▲ ACHTUNG!** Das Verlängerungskabel muss für die Verwendung im Freien geeignet sein.

## GEBRAUCH

**▲ ACHTUNG!** Beschleunigen Sie den Arbeitsvorgang nicht mit Gewalt. Vermeiden Sie eine Überlastung des Geräts.

### Ein- und Ausschalten (Abb. A)

- Zum Einschalten des Geräts drücken Sie den Ein-/Ausschalter **1**.
- Zum Ausschalten des Geräts lassen Sie den Ein-/Ausschalter wieder los.

**▲ ACHTUNG!** Versuchen Sie niemals, den Ein-/Ausschalter in der Einschaltstellung zu arretieren.

## HINWEISE FÜR OPTIMALE ARBEITSERGEBNISSE

### Allgemeine Hinweise

- Um optimale Schneideergebnisse zu erzielen, sollten Sie nur trockenen Rasen beschneiden.

### Trimmen (Abb. E)

- Halten Sie das Gerät wie in Abb. E abgebildet.
- Führen Sie den Trimmer mit langsamen Schwenkbewegungen hin und her.

- Schneiden Sie längeren Rasen in Zwischenschritten bis zur gewünschten Länge. Schneiden Sie stets nur geringe Längen.
- Halten Sie das Gerät von harten Gegenständen und empfindlichen Pflanzen fern.
- Der Schneidfaden nutzt sich schneller ab und muss häufiger erneuert werden, wenn Schneidarbeiten entlang Gehwegen oder anderen abrasiven Untergründen ausgeführt werden oder dichtes Unkraut geschnitten wird.
- Bei fortschreitender Verwendung des Trimmers verkürzt sich der Faden aufgrund von Abnutzung. Wenn Sie das eingeschaltete Gerät vorsichtig auf den Boden stoßen, wird der Schneidfaden verlängert.
- Verringern Sie die Belastung, wenn das Gerät sich verlangsamt.

### Einsetzen einer neuen Schneidfadenspule (Abb. A, F, G)

Neue Schneidfadenspulen erhalten Sie im BLACK+DECKER Fachhandel (Katalognr. A6226).

- Nehmen Sie bei heruntergedrückten Laschen **12** den Spulendeckel **13** vom Gehäuse **9** ab.
- Entfernen Sie die leere Spule **14** aus dem Spulengehäuse.
- Entfernen Sie Verschmutzungen und Gras von Spulendeckel und -gehäuse.
- Ziehen Sie ca. 10 cm Schneidfaden aus der neuen Spule heraus.
- Führen Sie den Schneidfaden durch das Loch **15**.
- Drücken Sie die Spule auf die Antriebsachse **16**, und positionieren Sie sie durch leichte Drehbewegungen ordnungsgemäß. Vergewissern Sie sich, dass der Schneidfaden nicht unter der Spule eingeklemmt ist und 10 cm des Schneidfadens aus dem Gehäuse herausragen.
- Richten Sie die Laschen **12** des Spulendeckels an den Löchern des Gehäuses **15** aus.
- Drücken Sie den Deckel auf das Gehäuse, bis dieser sicher einrastet.

**▲ ACHTUNG!** Wenn der Schneidfaden über das Fadenschneidemesser **7** hinausreicht, schneiden Sie ihn entsprechend zu, sodass der Faden lediglich an das Messer heranreicht.

### Aufwickeln eines neuen Schneidfadens auf eine leere Spule (Abb. H–J)

Es besteht die Möglichkeit, einen neuen Schneidfaden auf eine leere Spule aufzuwickeln.

Neue Schneidfadenspulen erhalten Sie im BLACK+DECKER Fachhandel [Katalognr. A6170 (25 m), A6046 (37,5 m) und A6171 (40 m)].

- Entnehmen Sie, wie oben beschrieben, die leere Spule aus dem Gerät.
- Entfernen Sie ggf. vorhandenen Restschneidfaden von der Spule.
- Führen Sie entsprechend der Abbildung 2 cm Schneidfaden durch eines der Löcher **17** in der Spule.
- Wickeln Sie den Schneidfaden in Pfeilrichtung auf die Spule **18**. Achten Sie darauf, dass Sie den Faden in gleichmäßigen Schichten aufwickeln. Vermeiden Sie, den Faden zu überkreuzen.
- Lassen Sie 10 cm des Fadenendes aus der Spule herausragen. Fixieren Sie den Faden mithilfe eines Fingers.
- Fahren Sie wie oben beschrieben fort, um die Spule in das Gerät einzusetzen.

**▲ ACHTUNG!** Verwenden Sie ausschließlich geeignete BLACK+DECKER Schneidfäden.

**Austauschen des Netzsteckers (nur Großbritannien und Irland)**

Gehen Sie folgendermaßen vor, wenn ein neuer Netzstecker angebracht werden muss:

- Entsorgen Sie den alten Stecker auf sachgerechte Weise.
- Verbinden Sie die braune Leitung mit dem spannungsführenden Anschluss des Steckers.
- Verbinden Sie die blaue Leitung mit dem neutralen Anschluss.

**▲ ACHTUNG!** Der Erdleiter wird nicht angeschlossen. Befolgen Sie die Anleitungen, die dem Stecker beiliegen. Empfohlene Sicherung: 5 A.

**PROBLEMBEHEBUNG**

Beachten Sie folgende Hinweise, wenn das Gerät nicht richtig zu funktionieren scheint. Sollte sich das Problem nicht beheben lassen, wenden Sie sich an eine BLACK+DECKER Vertragswerkstatt in Ihrer Nähe.

**▲ ACHTUNG!** Ziehen Sie den Netzstecker, bevor Sie fortfahren.

**Das Gerät läuft langsam**

- Vergewissern Sie sich, dass sich das Spulengehäuse frei drehen kann. Reinigen Sie dieses ggf. sorgfältig.
- Stellen Sie sicher, dass der Schneidfaden nicht weiter als 11 cm aus dem Spulengehäuse herausragt. Schneiden Sie ggf. den Schneidfaden so zu, dass dieser lediglich bis an das Fadenschneidmesser reicht.

**Wenn die stoßgeführte Schneidkopfvorrichtung nicht funktioniert**

- Nehmen Sie bei heruntergedrückten Laschen den Spulendeckel vom Gehäuse ab.
- Ziehen Sie den Schneidfaden heraus, bis dieser 11 cm aus dem Gehäuse herausragt. Bringen Sie eine neue Spule mit Schneidfaden wie oben angegeben an, wenn der Schneidfaden auf der Spule nicht mehr ausreicht.
- Richten Sie die Laschen der Spule an den Löchern des Gehäuses aus.
- Drücken Sie den Deckel auf das Gehäuse, bis dieser sicher einrastet.
- Schneiden Sie den Schneidfaden ggf. so zu, dass dieser lediglich bis an das Fadenschneidmesser heranreicht.

Versuchen Sie folgende Vorgehensweisen, wenn die stoßgeführte Schneidkopfvorrichtung weiterhin nicht funktioniert oder die Spule klemmt:

- Reinigen Sie sorgfältig Spulendeckel und Gehäuse.
- Nehmen Sie die Spule ab, und stellen Sie sicher, dass die Feder richtig angebracht ist.
- Entnehmen Sie die Spule, und wickeln Sie den Schneidfaden ab und anschließend sorgfältig, wie oben beschrieben, wieder auf. Ersetzen Sie die Spule gemäß dieser Anleitung.

**WARTUNG**

Ihr BLACK+DECKER Gerät (mit und ohne Netzkabel) wurde im Hinblick auf eine lange Lebensdauer und einen möglichst geringen Wartungsaufwand entwickelt. Ein dauerhafter, einwandfreier Betrieb setzt eine regelmäßige Pflege und Reinigung voraus.

**▲ ACHTUNG!** Vor dem Ausführen jeglicher Wartungsarbeiten an Geräten mit und ohne Netzkabel:

- Schalten Sie das Gerät aus, und ziehen Sie den Netzstecker.

- Wenn das Gerät über einen separaten Batteriepack oder Akku verfügt, schalten Sie das Gerät ab, und entnehmen Sie die Batterien aus dem Gerät.
- Wenn der Akku integriert ist, entladen Sie diesen vor dem Abschalten vollständig.
- Ziehen Sie das Ladegerät aus der Netzsteckdose, bevor Sie es reinigen. Das Ladegerät benötigt keine Wartung, es sollte jedoch regelmäßig gereinigt werden.
- Reinigen Sie regelmäßig die Lüftungsschlitze des Geräts und des Ladegeräts mit einer weichen Bürste oder einem trockenen Tuch.
- Reinigen Sie das Motorgehäuse regelmäßig mit einem feuchten Tuch. Verwenden Sie keine scheuernden Reinigungsmittel oder Reinigungsmittel auf Lösungsmittelbasis.

**Umweltschutz**



Getrennte Entsorgung. Dieses Produkt darf keinesfalls mit dem Hausmüll entsorgt werden.

Sollten Sie Ihr BLACK+DECKER Produkt eines Tages ersetzen oder nicht mehr benötigen, entsorgen Sie es nicht mit dem Hausmüll. Führen Sie das Produkt einer getrennten Sammlung zu.



Durch die getrennte Sammlung von ausgedienten Produkten und Verpackungsmaterialien können Rohstoffe recycelt und wiederverwendet werden.

Die Wiederverwendung aufbereiteter Materialien trägt zur Vermeidung der Umweltverschmutzung bei und senkt den Rohstoffbedarf.

Die Verordnung zur Abfallentsorgung Ihrer Gemeinde sieht möglicherweise vor, dass Elektrogeräte getrennt vom Hausmüll gesammelt, an der örtlichen Abfallentsorgungseinrichtung abgegeben oder beim Kauf eines neuen Produkts vom Fachhandel zur Entsorgung angenommen werden müssen. BLACK+DECKER nimmt Ihre ausgedienten BLACK+DECKER Geräte gern zurück und sorgt für eine umweltfreundliche Entsorgung bzw. Wiederverwertung. Um diese Dienstleistung in Anspruch zu nehmen, geben Sie das Gerät bitte bei einer autorisierten Reparaturwerkstatt ab, die für uns die Einsammlung übernimmt.

Die Adresse der zuständigen Niederlassung von BLACK+DECKER steht in dieser Anleitung. Dort teilt man Ihnen gerne die nächstgelegene Vertragswerkstatt mit. Eine Liste der Vertragswerkstätten und aller Kundendienststellen von BLACK+DECKER sowie der zuständigen Ansprechpartner finden Sie auch im Internet unter: [www.2helpU.com](http://www.2helpU.com).

**Technische Daten**

		GL250 Typ 1	GL310 Typ 1	GL360 Typ 1
Eingangsspannung	V <sub>AC</sub>	230	230	230
Leistungsaufnahme	W	250	300	350
Leerlaufdrehzahl	min <sup>-1</sup>	11500	11500	11500
Gewicht	kg	1,3	1,6	1,6

Gewichteter Hand-/Arm-Vibrationswert nach EN50636-2-91:2014:

= 7,2 m/s<sup>2</sup>, Unsicherheitsfaktor (K) = 1,5 m/s<sup>2</sup>.

L<sub>PA</sub> (Schallleistung) 80 dB(A)

Unsicherheitsfaktor (K) = 1,1 dB(A)

**EG-Konformitätserklärung**  
**MASCHINENRICHTLINIE**  
**AUSSENLAUTSTÄRKERICHTLINIE**



**GL250, GL310, GL360 – Rasentrimmer**

BLACK+DECKER erklärt, dass die in den technischen Daten beschriebenen Geräte übereinstimmen mit:

2006/42/EG, EN60335-1:2012 + A11:2014 + A13:2017 + A1:2019 + A14:2019 + A2:2019, EN50636-2-91:2014.

2000/14/EG, Rasentrimmer, L < 50 cm, Annex VI,

DEKRA Testing and Certification GmbH,

Handwerkstraße 15, 70565 Stuttgart

Adresse organisme de certification

Dinnendahlstr. 9, 44809 Bochum, Allemagne

Numéro d'identification de l'organisme : 0158

$L_{WA}$  (gemessener Schalleistungswert) 93 dB(A),

Unsicherheitsfaktor (K) = 2,8 dB(A)

$L_{WA}$  (garantierte Schalleistung) 96 dB(A).

Diese Produkte entsprechen außerdem den Richtlinien 2014/30/EU, 2011/65/EU. Weitere Informationen erhalten Sie von BLACK+DECKER unter der folgenden Adresse. Diese befindet sich auch auf der Rückseite dieser Anleitung.

Der Unterzeichnete ist verantwortlich für die Zusammenstellung der technischen Daten und gibt diese Erklärung im Namen von BLACK+DECKER ab.

*Patrick Diepenbach*

Patrick Diepenbach  
 General Manager, Benelux  
 BLACK+DECKER,  
 Egide Walschaertsstraat 14-18  
 2800 Mechelen, Belgien  
 15.06.2021

**Garantie**

BLACK+DECKER vertraut auf die Qualität der eigenen Geräte und bietet dem Käufer eine außergewöhnliche Garantie. Diese Garantiezusage versteht sich unbeschadet der gesetzlichen Gewährleistungsansprüche und schränkt diese keinesfalls ein. Sie gilt in sämtlichen Mitgliedstaaten der Europäischen Union und der Europäischen Freihandelszone EFTA.

Tritt innerhalb von 24 Monaten ab Kaufdatum an einem Gerät von BLACK+DECKER ein auf Material- oder Verarbeitungsfehler zurückzuführender Mangel auf, garantiert BLACK+DECKER den Austausch defekter Teile, die Reparatur von Geräten mit üblichem Verschleiß bzw. den Austausch eines mangelhaften Gerätes, ohne den Kunden dabei mehr als unbedingt nötig in Anspruch zu nehmen, allerdings vorbehaltlich folgender Ausnahmen:

- wenn das Gerät gewerblich, beruflich oder im Verleihgeschäft benutzt wurde;
- wenn das Gerät missbräuchlich verwendet oder mit mangelnder Sorgfalt behandelt wurde;

- wenn das Gerät durch irgendwelche Fremdeinwirkung beschädigt wurde;

- wenn ein unbefugter Reparaturversuch durch anderes Personal als das einer Vertragswerkstatt oder des BLACK+DECKER Kundendienstes unternommen wurde.

Zur Inanspruchnahme dieser Garantie ist dem Verkäufer bzw. der Vertragswerkstatt ein Kaufnachweis vorzulegen. Die Adresse der zuständigen Niederlassung von BLACK+DECKER steht in dieser Anleitung. Dort teilt man Ihnen gerne die nächstgelegene Vertragswerkstatt mit. Eine Liste der Vertragswerkstätten und aller Kundendienststellen von BLACK+DECKER sowie der zuständigen Ansprechpartner finden Sie auch im Internet unter:

**[www.2helpU.com](http://www.2helpU.com)**.

Besuchen Sie unsere Website **[www.blackanddecker.de](http://www.blackanddecker.de)**, um Ihr neues Produkt von BLACK+DECKER zu registrieren. Dort erhalten Sie auch aktuelle Informationen über neue Produkte und Sonderangebote. Weitere Informationen über die Marke BLACK+DECKER und unsere Produkte finden Sie unter:

**[www.blackanddecker.de](http://www.blackanddecker.de)**.

# TRIMMER

## GL250, GL310, GL360

### Utilisation

Votre coupe-bordures BLACK+DECKER™ GL250, GL310, GL360 est conçu pour la coupe et la finition des bordures de pelouse ainsi que pour couper l'herbe dans les espaces restreints. Cet appareil est conçu pour des particuliers uniquement.

### CONSIGNES DE SÉCURITÉ

**▲ ATTENTION!** De simples précautions sont à prendre pour l'utilisation d'appareil branché à l'alimentation principale. Les conseils suivants doivent toujours être appliqués, ceci afin de réduire le risque d'incendie, les chocs électriques, les blessures et les dommages matériels.

**▲ ATTENTION!** Les consignes de sécurité doivent être respectées pendant l'utilisation. Pour votre propre sécurité et pour celle des personnes autour, lisez ces instructions avant d'utiliser l'outil. Veuillez conserver les instructions pour un usage ultérieur.

- Lisez attentivement et entièrement le manuel avant d'utiliser l'appareil.
- Ce manuel décrit la manière d'utiliser cet outil. L'utilisation d'un accessoire ou d'une fixation, ou bien l'utilisation de cet appareil à d'autres fins que celles recommandées dans ce manuel d'instruction peut présenter un risque de blessures.
- Gardez ce manuel pour référence ultérieure.

### Utilisation de votre appareil

Prenez toutes les précautions nécessaires pour l'utiliser.

- Portez toujours des lunettes de sécurité ou de protection.
- Ne laissez jamais les enfants ou toute autre personne ne connaissant pas ces instructions, utiliser l'appareil.
- Ne laissez pas les enfants ou les animaux s'approcher de la zone de travail ou toucher l'appareil ou le fil électrique.
- Les enfants doivent être surveillés avec attention s'ils se trouvent près de l'appareil pendant l'utilisation.
- Cet appareil n'est pas destiné à être utilisé par des personnes jeunes ou déficientes sans surveillance.
- Cet appareil ne doit pas être utilisé comme jouet.
- Utilisez cet appareil uniquement dans la journée ou avec un éclairage artificiel approprié.
- Il doit toujours être utilisé dans des endroits secs et en aucun cas être mouillé.
- Ne plongez pas l'appareil dans l'eau.
- N'ouvrez pas le boîtier. Les pièces à l'intérieur ne sont pas réparables par l'utilisateur.
- N'utilisez pas l'appareil dans un environnement présentant des risques d'explosion, ni en présence de liquides, gaz ou poussières inflammables.
- Pour limiter le risque d'endommagement des prises ou des fils électriques, ne débranchez jamais l'appareil en tirant sur le câble.

### Sécurité des personnes

- Cet appareil peut être utilisé par des enfants âgés de 8 ans ou plus et des personnes ayant des déficiences physiques, mentales ou sensorielles. Cette consigne s'applique aux personnes ayant reçu les instructions appropriées d'utilisation fiable et ayant connaissance des dangers existants.

- Ne laissez pas les enfants jouer avec l'appareil. Les enfants ne peuvent en aucun cas assurer le nettoyage et la maintenance sans surveillance.

### Risques résiduels

L'utilisation d'un outil non mentionné dans les consignes de sécurité données peut entraîner des risques résiduels supplémentaires. Ces risques peuvent survenir si l'outil est mal utilisé, si l'utilisation est prolongée, etc.

Malgré l'application des normes de sécurité correspondantes et la présence de dispositifs de sécurité, les risques résiduels suivants ne peuvent être évités. Ceci comprend :

- Les blessures dues au contact avec une pièce mobile/en rotation.
- Les blessures causées en changeant des pièces, lames ou accessoires.
- Les blessures dues à l'utilisation prolongée d'un outil. Une utilisation prolongée de l'outil nécessite des pauses régulières.
- Déficience auditive.
- Risques pour la santé causés par l'inhalation de poussières produites pendant l'utilisation de l'outil (exemple : travail avec du bois, surtout le chêne, le hêtre et les panneaux en MDF).

### Après l'utilisation

- Quand il n'est pas utilisé, l'appareil doit être rangé dans un endroit suffisamment aéré, sec et hors de portée des enfants.
- Les enfants ne doivent pas avoir accès aux appareils rangés.
- Quand l'appareil est rangé ou transporté dans un véhicule, il doit être installé dans le coffre ou correctement calé pour éviter les mouvements dus aux changements de direction ou de vitesse.

### Vérification et réparations

- Avant l'utilisation, vérifiez si l'appareil est en bon état ou si aucune pièce ne manque. Recherchez des pièces cassées et d'autres anomalies susceptibles de nuire au bon fonctionnement de l'appareil.
- N'utilisez pas l'appareil si une pièce est endommagée ou défectueuse.
- Faites réparer ou remplacer les pièces défectueuses ou endommagées par un réparateur agréé.
- Ne tentez jamais de retirer ou de remplacer des pièces autres que celles citées dans ce manuel.

### Utilisation d'une rallonge

La rallonge utilisée doit être conforme aux normes et doit s'adapter exactement à la prise de cet appareil (voir les **caractéristiques techniques**). La rallonge doit être adaptée à une utilisation à l'extérieur et signalée comme tel. Une rallonge BLACK+DECKER HOSVV-F de 1,5 mm<sup>2</sup> allant jusqu'à 30 m peut être utilisée sans que les performances de l'appareil ne soient limitées. Avant d'utiliser la rallonge, assurez-vous qu'elle est en bon état et récente. Remplacez la rallonge si elle est en mauvais état. Si vous utilisez un dévidoir, le câble doit être complètement déroulé.

### Consignes de sécurité supplémentaires pour le taille-bordures

- **▲ ATTENTION!** Les éléments de coupe continuent de tourner juste après la mise hors tension du moteur.

- Familiarisez-vous avec les commandes et la manière appropriée d'utiliser l'appareil.
- Avant l'utilisation, vérifiez l'état du fil électrique et de la rallonge (dommages, usures et vieillissement). Si un câble est endommagé pendant l'utilisation, débranchez immédiatement l'appareil. **NE TOUCHEZ SURTOUT PAS LE CÂBLE AVANT DE L'AVOIR DÉBRANCHÉ.**
- N'utilisez pas l'appareil si les câbles sont endommagés ou défectueux.
- Portez des chaussures épaisses pour protéger vos pieds.
- Portez un pantalon pour protéger vos jambes.
- Avant de commencer, retirez les bâtons, cailloux, câbles et autres corps étrangers de la zone à couper.
- N'utilisez l'appareil que verticalement avec le fil de coupe au niveau du sol. Ne démarrez jamais l'appareil dans une autre position.
- Déplacez-vous lentement pendant l'utilisation de l'appareil. N'oubliez pas que l'herbe fraîchement coupée est glissante.
- Ne travaillez pas sur des pentes trop raides. Ne travaillez jamais de haut en bas.
- Ne traversez jamais des passages recouvert de gravier quand l'appareil fonctionne.
- Ne touchez jamais le fil de coupe quand l'appareil fonctionne.
- Ne posez pas l'appareil avant l'arrêt complet du fil de coupe.
- N'utilisez que le type de fil de coupe approprié. N'utilisez jamais un fil de coupe en métal ou un fil de pêche.
- Prenez les précautions nécessaires pour ne pas toucher la lame.
- Prenez les précautions nécessaires pour que le câble secteur soit éloigné du fil de coupe. Vérifiez toujours la position du câble.
- Gardez toujours les pieds et les mains éloignés du fil de coupe particulièrement au démarrage du moteur.
- Avant d'utiliser l'appareil et après un choc, recherchez des signes d'usure ou de dommages et réparez, le cas échéant.
- Ne faites jamais fonctionner l'appareil avec des protections endommagées ou sans protection.
- Prenez les précautions nécessaires pour éviter de vous blesser avec les dispositifs de réglage du fil. Une fois le nouveau fil de coupe tiré, avant de remettre l'appareil en marche, replacez-le en position normale de fonctionnement.
- Aucun débris ne doit se trouver sur les aérations.
- N'utilisez pas la taille-bordures si les câbles sont endommagés ou défectueux.
- Éloignez les rallonges des zones de coupe.

## Étiquettes sur l'appareil

Outre le code de date, les symboles suivants sont apposés sur l'outil :



Lisez le manuel avant la mise en marche.



Portez toujours des lunettes de sécurité pour utiliser cet appareil.



Portez toujours des protections auditives appropriées pour utiliser cet appareil.



Débranchez toujours la prise du courant avant de vérifier un câble endommagé. N'utilisez pas votre taille-bordures si un câble est endommagé.



Attention aux projections. Éloignez toute personne des zones de découpe.



N'exposez pas l'appareil à la pluie ni à l'humidité.



Normes 2000/14/CE, puissance sonore garantie.

## Sécurité électrique



Cet appareil est doublement isolé. Par conséquent, aucun câble de mise à la terre n'est nécessaire. Vérifiez si l'alimentation mentionnée sur la plaque signalétique de l'outil correspond bien à la tension présente sur le lieu.

- Si le câble d'alimentation est endommagé, il doit être remplacé par le fabricant ou par un Centre de réparation agréé BLACK+DECKER pour éviter tout risque.
- Utilisez un dispositif de courant résiduel à grande sensibilité, 30 mA (RCD) pour améliorer la sécurité électrique.

## Caractéristiques

Cet appareil comprend certains, ou tous, les éléments suivants :

- 1 Bouton marche/arrêt
- 2 Poignée
- 3 Fixation du câble
- 4 Prise
- 5 Poignée secondaire
- 6 Protection
- 7 Lame de taille
- 8 Fil de coupe
- 9 Boîtier du bobine
- 10 Bloc

## ASSEMBLAGE

**⚠ ATTENTION!** Avant l'assemblage, assurez-vous que l'outil est éteint et débranché.

### Fixation de la poignée secondaire (Fig. A) (GL310 et GL360 uniquement)

- Glissez la poignée secondaire **5** sur la poignée principale **2** vers le haut.
- Serrez la poignée secondaire avec les deux vis **19** fournies.

### Fixation de la protection (Fig. C)

- Placez la protection sur l'outil comme indiqué.

- Appuyez fermement sur la protection **6** jusqu'à l'enclenchement.
- Fixez la protection avec la vis **11**.

**▲ ATTENTION!** N'utilisez jamais l'outil si la protection n'est pas correctement installée.

### Dégagement du fil de coupe

Pendant le transport, le fil de coupe est scotché sur le boîtier de la bobine.

- Retirez le scotch fixant le fil de coupe **8** sur le boîtier de la bobine **9**.

### Branchement de l'outil au secteur (Fig. D)

- Branchez la rallonge à la prise **4**.
- Entourez le câble dans la fixation du câble **3**.
- Branchez la prise secteur.

Pour le branchement, vérifiez que le câble est entouré sur la fixation avant de brancher la prise au secteur.

**▲ ATTENTION!** La rallonge doit être adaptée à une utilisation à l'extérieur.

### UTILISATION

**▲ ATTENTION!** Laissez l'outil fonctionner à sa propre vitesse. Ne le poussez pas au-delà de sa limite.

### Mise en marche et arrêt (Fig. A)

- Pour mettre l'outil en marche, utilisez le levier déclencheur **1**.
- Pour arrêter l'outil, relâchez le levier déclencheur.

**▲ ATTENTION!** N'essayez jamais de bloquer un levier déclencheur en position marche.

### CONSEILS POUR UNE UTILISATION OPTIMALE

#### Généralités

- Pour obtenir les meilleurs résultats, l'herbe doit être sèche.

#### Taille (Fig. E)

- Tenez l'outil comme indiqué, Fig. E.
- Balancez légèrement la taille-bordures d'un côté à l'autre.
- Pour l'herbe haute, coupez progressivement. Faites des petites coupes.
- Éloignez l'outil des plantes délicates et des objets durs.
- Le fil de coupe s'use rapidement et doit être changé plus souvent si la coupe est le long des trottoirs ou autres surfaces abrasives ainsi que pour la coupe de racines épaisses.
- En utilisant la taille-bordures, le fil se raccourcit à l'usure. Appuyez légèrement l'appareil sur le sol pendant le fonctionnement et le fil se renouvelle.
- Si l'outil commence à ralentir, réduisez la charge.

### Installation d'une nouvelle bobine de fil de coupe (Fig. A F, G)

Vous trouverez des bobines de fil de coupe chez votre revendeur BLACK+DECKER (cat. n° A6226).

- Appuyez sur les pattes **12** et retirez le cache-bobine **13** du boîtier **9**.
- Retirez la bobine vide **14** du boîtier.
- Éliminez la poussière et l'herbe du cache-bobine et le boîtier.
- De la nouvelle bobine, déroulez environ 10 cm de fil de coupe.
- Passez le fil de coupe par l'œillet **15**.
- Poussez la bobine sur l'arbre d'entraînement **16** et tournez-la légèrement pour l'installer. Assurez-vous que le fil de coupe n'est pas coincé sous la bobine et que 10 cm dépasse du boîtier.

- Alignez les pattes **12** sur le cache-bobine avec les trous sur le boîtier **15**.

- Enclenchez le cache sur le boîtier.

**▲ ATTENTION!** Si le fil de coupe dépasse de la lame **7**, coupez-le pour qu'il soit au niveau de la lame.

### Rembobinage d'un nouveau fil de coupe sur une bobine vide (Fig. H–J)

Vous pouvez rembobiner un nouveau fil de coupe sur une bobine vide.

Les packs de remplacement de fil de coupe sont disponibles chez votre revendeur BLACK+DECKER [cat. n° A6170 (25 m), A6046 (37,5 m) et A6171 (40 m)].

- Retirez la bobine vide de l'outil, comme décrit ci-dessus.
- Retirez le reste de fil de coupe de la bobine.
- Passez 2 cm de fil de coupe dans un des trous **17** de la bobine, comme indiqué.
- Enroulez le fil de coupe sur la bobine dans la direction de la flèche **18**. Enroulez correctement le fil et de manière progressive. Ne croisez pas les fils.
- Laissez le fil dépasser d'environ 10 cm de la bobine et gardez un doigt sur le fil pour le maintenir.
- Suivez la procédure ci-dessus pour placer la bobine sur l'outil.

**▲ ATTENTION!** N'utilisez que le type de fil de coupe BLACK+DECKER approprié.

### Remplacement des prises secteur (RU et Irlande uniquement)

Si une nouvelle prise secteur doit être installée :

- Mettez au rebut la vieille prise.
- Branchez le fil brun dans la borne de la nouvelle prise.
- Branchez le fil bleu à la borne neutre.

**▲ ATTENTION!** Aucune connexion ne doit être faite à la borne de terre. Suivez les instructions de montage fournies avec les prises de bonne qualité. Fusibles recommandés : 5 A.

### DÉPANNAGE

Si l'outil ne fonctionne pas, suivez les instructions ci-dessous. Si le problème n'est pas résolu, veuillez contacter votre réparateur local BLACK+DECKER.

**▲ ATTENTION!** Débranchez l'outil avant de commencer.

#### Fonctionnement lent

- Vérifiez le mouvement de rotation du boîtier de bobine. Nettoyez-le, le cas échéant.
- Assurez-vous que le fil de coupe ne dépasse pas de plus de 11 cm du boîtier de la bobine. Si c'est le cas, coupez-le pour qu'il soit au niveau de la lame.

#### Défaillance du déroulement de fil par contact au sol

- Appuyez sur les pattes et retirez le cache-bobine du boîtier.
- Tirez sur le fil de coupe jusqu'à ce qu'il dépasse de 11 cm du boîtier. S'il n'y a pas assez de fil dans la bobine, installez une nouvelle bobine, en suivant le processus ci-dessus.
- Alignez les pattes sur le cache-bobine avec les trous sur le boîtier.
- Enclenchez le cache sur le boîtier.
- Si le fil de coupe dépasse de la lame, coupez-le pour qu'il soit au niveau de la lame.

Si le déroulement du fil par contact au sol ne fonctionne pas ou si la bobine est emmêlée, effectuez ce qui suit :

- Nettoyez avec précaution le cache-bobine et le boîtier.



- Retirez la bobine et vérifiez l'installation du ressort.
- Retirez la bobine et déroulez le fil de coupe, puis rembobinez-le correctement, comme décrit ci-dessus. Remplacez la bobine, comme indiqué.

## ENTRETIEN

Votre appareil/outil sans fil/avec fil BLACK+DECKER a été conçu pour fonctionner pendant longtemps avec un minimum d'entretien. Un fonctionnement continu satisfaisant dépend d'un nettoyage régulier et d'un entretien approprié de l'appareil/outil.

**▲ ATTENTION!** À ne pas oublier avant l'entretien des appareils électriques sans fil/avec fil :

- Arrêtez l'appareil/outil, puis débranchez-le.
- Ou, arrêtez l'appareil et retirez la batterie de l'appareil/outil si celui-ci est muni d'un bloc-batterie séparé.
- Ou bien déchargez complètement la batterie si elle est intégrée au système, puis arrêtez l'appareil (position Off).
- Débranchez le chargeur avant de le nettoyer. Aucun entretien particulier n'est nécessaire pour le chargeur en dehors du nettoyage régulier.
- Nettoyez régulièrement les orifices de ventilation de votre appareil/outil/chargeur à l'aide d'une brosse souple ou d'un chiffon sec.
- Nettoyez régulièrement le compartiment du moteur à l'aide d'un chiffon humide. N'utilisez pas de produit abrasif ou à base de solvant.

## Protection de l'environnement



Recyclage. Cet appareil ne doit pas être jeté avec les déchets ménagers.

Si votre appareil/outil BLACK+DECKER doit être remplacé ou si vous ne l'utilisez plus, ne le jetez pas avec les ordures ménagères. Songez à la protection de l'environnement et recyclez-le.



La collecte séparée des produits et des emballages usagés permet de recycler et de réutiliser des matériaux.

La réutilisation de matériaux recyclés évite la pollution de l'environnement et réduit la demande de matières premières.

Des réglementations locales peuvent stipuler la collecte séparée des produits électriques et des produits ménagers, dans des déchetteries municipales ou par le revendeur lorsque vous achetez un nouveau produit.

BLACK+DECKER offre une solution permettant de recycler les produits BLACK+DECKER lorsqu'ils ont atteint la fin de leur cycle de vie. Pour pouvoir profiter de ce service, veuillez retourner votre produit à un réparateur agréé qui se chargera de le collecter pour nous.

Pour connaître l'adresse du réparateur agréé le plus proche de chez vous, contactez le bureau BLACK+DECKER à l'adresse indiquée dans ce manuel. Vous pourrez aussi trouver une liste de réparateurs agréés de BLACK+DECKER et de plus amples détails sur notre service après-vente sur le site Internet à l'adresse suivante : [www.2helpU.com](http://www.2helpU.com).

## Caractéristiques techniques

		GL250 Type 1	GL310 Type 1	GL360 Type 1
Tension d'entrée	V <sub>ca</sub>	230	230	230

		GL250 Type 1	GL310 Type 1	GL360 Type 1
Puissance	W	250	300	350
Aucune vitesse de charge	min <sup>-1</sup>	11500	11500	11500
Poids	kg	1,3	1,6	1,6

Niveau de vibration main/bras selon la norme EN50636-2-91:2014 :

$$= 7,2 \text{ m/s}^2, \text{ incertitude (K) } = 1,5 \text{ m/s}^2.$$

L<sub>PA</sub> (puissance sonore) 80 dB(A)  
Incertitude (K) = 1,1 dB(A)

## Déclaration de conformité CE

### CONSIGNES DE MACHINERIE

### CONSIGNES NUISANCES SONORES EXTÉRIEURES



#### Coupe-bordures GL250, GL310, GL360

BLACK+DECKER déclare que les produits décrits dans les "Caractéristiques techniques" sont conformes aux normes : 2006/42/CE, EN60335-1:2012 + A11:2014 + A13:2017 + A1:2019 + A14:2019 + A2:2019, EN50636-2-91:2014.

2000/14/CE, Coupe-bordure, L < 50 cm, Annexe VI, DEKRA Testing and Certification GmbH, Handwerkstraße 15, 70565 Stuttgart

Adresse organisme de certification

Dinnendahlstr. 9, 44809 Bochum, Allemagne

Numéro d'identification de l'organisme : 0158

L<sub>WA</sub> (Niveau de puissance sonore mesuré) 93 dB(A),  
Incertitude (K) = 2,8 dB(A)

L<sub>WA</sub> (puissance sonore garantie) 96 dB(A).

Ces produits sont également conformes aux Directives 2014/30/UE et 2011/65/UE.

Pour plus de précisions, veuillez contacter BLACK+DECKER à l'adresse qui suit ou consulter la dernière page du présent manuel.

Le soussigné est responsable de la compilation du fichier technique et fait cette déclaration au nom de BLACK+DECKER.

*Patrick Diepenbach*

Patrick Diepenbach

General Manager, Benelux

BLACK+DECKER,

Egide Walschaertsstraat 14-18

2800 Mechelen, Belgique

15.06.2021

## Garantie

BLACK+DECKER assure la qualité de ses produits et vous offre une garantie très élargie. Ce certificat de garantie est un document supplémentaire et ne peut en aucun cas se substituer

à vos droits légaux. La garantie est valable sur tout le territoire des États Membres de l'Union Européenne et de la Zone de Libre Échange Européenne.

Si un produit BLACK+DECKER s'avère défectueux en raison de matériaux en mauvaises conditions, d'une erreur humaine, ou d'un manque de conformité dans les 24 mois suivant la date d'achat, BLACK+DECKER garantit le remplacement des pièces défectueuses, la réparation des produits usés ou cassés ou remplace ces produits à la convenance du client, sauf dans les circonstances suivantes :

- Le produit a été utilisé dans un but commercial, professionnel, ou a été loué;
- Le produit a été mal utilisé ou utilisé avec négligence;
- Le produit a subi des dommages à cause d'objets étrangers, de substances ou à cause d'accidents;
- Des réparations ont été tentées par des techniciens ne faisant pas partie du service technique de BLACK+DECKER.

Pour avoir recours à la garantie, il est nécessaire de fournir une preuve d'achat au vendeur ou à un réparateur agréé.

Pour connaître l'adresse du réparateur agréé le plus proche de chez vous, contactez le bureau BLACK+DECKER à l'adresse indiquée dans ce manuel. Vous pourrez aussi trouver une liste de réparateurs agréés BLACK+DECKER et de plus amples détails sur notre service après-vente sur le site Internet à l'adresse suivante :

**[www.2helpU.com](http://www.2helpU.com)**.

Visitez notre site Web **[www.blackanddecker.fr](http://www.blackanddecker.fr)** pour enregistrer votre nouveau produit BLACK+DECKER et être informé des nouveaux produits et des offres spéciales. Pour plus d'informations concernant la marque BLACK+DECKER et notre gamme de produits, consultez notre site

**[www.blackanddecker.fr](http://www.blackanddecker.fr)**.

# TRIMMER

## GL250, GL310, GL360

### Uso Previsto

Questo tagliabordi BLACK+DECKER™ GL250, GL310, GL360 è progettato per rifinire i bordi dei prati e per tagliare l'erba in spazi limitati. Questo elettrodomestico è stato progettato solo per uso individuale.

### ISTRUZIONI DI SICUREZZA

**▲ AVVERTENZA!** Quando si usano elettrodomestici alimentati elettricamente, osservare sempre le normali precauzioni di sicurezza per ridurre il rischio di incendio, scosse elettriche, lesioni personali e danni materiali.

**▲ AVVERTENZA!** Osservare i regolamenti di sicurezza quando si usa l'elettrodomestico. Per la propria incolumità e quella degli osservatori, leggere queste istruzioni prima di usare l'elettrodomestico. Conservare le istruzioni in un luogo sicuro per utilizzo futuro.

- Leggere attentamente il presente manuale prima di usare l'elettrodomestico.
- L'uso previsto è descritto nel presente manuale. Se questo elettrodomestico viene usato con accessori o per usi diversi da quelli raccomandati nel presente manuale d'uso, si potrebbero verificare lesioni personali.
- Conservare il presente manuale per futura consultazione.

### Utilizzo dell'elettrodomestico

Prestare sempre attenzione quando si usa l'elettrodomestico.

- Indossare sempre occhiali di sicurezza.
- Vietare l'uso dell'elettrodomestico a bambini e ad adulti che non abbiano letto il presente manuale.
- Vietare a bambini o ad animali di avvicinarsi all'area di lavoro o di toccare l'elettrodomestico o il filo di alimentazione.
- Prestare la massima attenzione quando si usa l'elettrodomestico vicino ai bambini.
- L'utilizzo di questo elettrodomestico non è destinato a ragazzi o persone inferme senza supervisione.
- Questo elettrodomestico non deve essere usato come un giocattolo.
- Usare l'elettrodomestico solo alla luce del giorno o con una buona luce artificiale.
- Usare solo in un luogo asciutto. Evitare che l'elettrodomestico si bagni.
- Non immergere l'elettrodomestico in acqua.
- Non aprire il corpo dell'elettrodomestico, dato che al suo interno non vi sono componenti riparabili.
- Evitare di impiegare questo elettrodomestico in ambienti esposti al rischio di esplosione, ad esempio in presenza di liquidi, gas o polveri infiammabili.
- Per ridurre il rischio di danni a spine o fili, non tirare mai il filo per scollegare la spina da una presa.

### Sicurezza altrui

- Questo apparato può essere usato da bambini dagli 8 anni in su e da persone con ridotte capacità fisiche, psichiche o sensoriali o che non ne abbiano esperienza o conoscenza, purché supervisionate o opportunamente istruite all'uso sicuro dell'apparecchio e ne comprendano i pericoli derivanti.

- I bambini non devono giocare con l'elettrodomestico. Gli interventi di pulizia e di manutenzione da parte dell'utente non devono essere eseguiti da bambini senza supervisione.

### Rischi residui

Quando si usa l'elettrodomestico, possono esservi altri rischi residui che possono non essere stati contemplati negli avvisi di sicurezza allegati. Tali rischi possono sorgere a seguito di un uso prolungato o improprio, ecc.

Perfino adottando gli appositi regolamenti di sicurezza e utilizzando i dispositivi di sicurezza, certi rischi residui non possono essere evitati. Essi comprendono:

- Lesioni causate o subite a seguito del contatto con parti rotanti/in movimento.
- Lesioni causate o subite durante la sostituzione di parti, lame o accessori.
- Lesioni causate dall'impiego prolungato di un elettrodomestico. Quando si usa qualsiasi elettrodomestico per lunghi periodi, accertarsi di fare regolarmente delle pause.
- Problemi di udito.
- Rischi per la salute causati dall'aspirazione di polvere generata dall'utilizzo dell'elettrodomestico (ad esempio quando si lavora con il legno, in modo particolare quello di quercia, faggio o l'MDF.)

### Dopo l'impiego

- Quando non viene usato, l'elettrodomestico deve essere conservato in un luogo asciutto e ben ventilato, fuori dalla portata dei bambini.
- Gli elettrodomestici non devono essere riposti alla portata dei bambini.
- Se viene conservato o trasportato in un veicolo, l'elettrodomestico deve essere messo nel bagagliaio o legato per evitare che si sposti in caso di cambiamento repentino della velocità o della direzione di marcia.

### Ispezione e riparazioni

- Prima dell'impiego, controllare che l'elettrodomestico non sia danneggiato e non presenti parti difettose. Controllare che non vi siano parti rotte o altre condizioni che potrebbero avere ripercussioni sulle prestazioni.
- Non usare l'elettrodomestico se alcune parti sono danneggiate o difettose.
- Far riparare o sostituire le parti danneggiate o difettose da un tecnico autorizzato.
- Non tentare di smontare o sostituire qualsiasi parte ad eccezione di quelle specificate nel presente manuale.

### Utilizzo di un cavo di prolunga

Usare sempre un cavo di prolunga di tipo omologato, idoneo all'assorbimento di corrente di questo elettrodomestico (vedere i **dati tecnici**). Il cavo di prolunga deve essere idoneo per impiego all'esterno e deve essere opportunamente contrassegnato. È possibile usare un cavo di prolunga lungo fino a 30 m con diametro di 1,5 mm<sup>2</sup> HOSVV-F senza perdita alcuna delle prestazioni del prodotto. Prima dell'impiego, ispezionare il cavo di prolunga per accertarsi che non presenti segni di danni, usura o invecchiamento. Sostituire il cavo di prolunga se è

danneggiato o difettoso. Se si usa un mulinello, svolgere sempre completamente il cavo.

## Altre precauzioni di sicurezza per i decespugliatori tagliabordi

**▲ ATTENZIONE!** I fili da taglio continuano a girare dopo lo spegnimento del motore.

- Imparare bene i comandi e come usare in modo appropriato l'elettrotensile.
- Prima dell'uso, controllare che il filo di alimentazione e il cavo di prolunga non presentino segni di danni, invecchiamento e usura. Se il filo di alimentazione subisce danni durante l'uso, scollegarlo immediatamente dalla presa di corrente. **NON TOCCARE IL FILO DI ALIMENTAZIONE PRIMA DI AVERLO SCOLLEGATO DALLA PRESA DI CORRENTE.**
- Non usare l'elettrotensile se i fili di alimentazione sono danneggiati o usurati.
- Indossare scarpe o stivali robusti per proteggere i piedi.
- Indossare calzoni lunghi per proteggere le gambe.
- Prima di iniziare a usare l'elettrotensile, controllare che lungo il percorso in cui si deve lavorare, non vi siano bastoncini, pietre, fili elettrici e altri ostacoli.
- Usare l'elettrotensile solo in posizione verticale e con il filo da taglio vicino a terra. Non spegnere mai l'elettrotensile in qualsiasi altra posizione.
- Spostarsi lentamente quando si usa l'elettrotensile. Ricordare che l'erba appena tagliata è umida e scivolosa.
- Non lavorare su pendii ripidi. Lavorare trasversalmente su di un pendio e mai procedendo verticalmente in su e in giù.
- Non attraversare mai strade o sentieri coperti di ghiaia con l'elettrotensile acceso.
- Non toccare mai il filo da taglio quando l'elettrotensile è acceso.
- Non appoggiare a terra l'elettrotensile fino a quando il filo da taglio non si è completamente fermato.
- Usare solo il corretto tipo di filo da taglio. Non usare mai filo da taglio in metallo o una lenza.
- Prestare attenzione a non toccare la lama di trancitura del filo.
- Prestare attenzione a tenere sempre lontano il filo di alimentazione da quello da taglio. Essere sempre consapevoli di dove si trova il filo di alimentazione.
- Tenere sempre mani e piedi lontani dal filo da taglio, in modo particolare quando si accende il motore.
- Prima di usare l'elettrotensile e dopo ogni impatto, controllare che non vi siano segni di usura o danni e riparare come richiesto.
- Non far mai funzionare l'elettrotensile con le protezioni danneggiate o smontate.
- Proteggersi da eventuali lesioni che potrebbero essere causate dai dispositivi montati per la trancitura di una lunghezza di filo da taglio. Dopo aver srotolato una nuova lunghezza di filo da taglio, riportare sempre l'elettrotensile nella normale posizione di funzionamento prima di accenderlo.
- Verificare sempre che le fessure di ventilazione siano mantenute pulite e prive di impurità.
- Non usare il decespugliatore (tagliabordi) se i fili di alimentazione sono danneggiati o usurati.
- Tenere i cavi di prolunga lontano dagli elementi da taglio.

## Etichette sull'elettrotensile

Sull'elettrotensile sono presenti i seguenti simboli assieme al codice data:



Leggere il manuale prima dell'utilizzo.



Indossare occhiali di sicurezza quando si usa l'elettrotensile.



Indossare otoprotezioni idonee quando si usa l'elettrotensile.



Estrarre sempre la spina dalla presa prima di ispezionare un filo di alimentazione danneggiato. Fare attenzione a non adoperare il tagliabordi se il filo di alimentazione è danneggiato.



Fare attenzione agli oggetti lanciati in aria. Tenere gli osservatori lontani dalla zona di taglio.



Non esporre l'elettrotensile alla pioggia o a un'umidità intensa.



Pressione sonora garantita in base alla direttiva 2000/14/CE.

## Sicurezza elettrica



Il doppio isolamento di cui è provvisto l'elettrotensile rende superfluo il filo di terra. Controllare sempre che l'alimentazione corrisponda alla tensione indicata sulla targhetta dei dati tecnici.

- In caso di danneggiamento del filo di alimentazione, è necessario farlo riparare dal fabbricante o presso un centro assistenza BLACK+DECKER autorizzato in modo da evitare eventuali pericoli.
- La sicurezza elettrica può essere ulteriormente aumentata utilizzando un dispositivo a corrente residua (RCD) ad alta sensibilità (30 mA).

## Caratteristiche

Si indicano di seguito le caratteristiche di cui questo elettrotensile è dotato.

- 1 Interruttore di accensione
- 2 Manico
- 3 Fermacavo
- 4 Spina
- 5 Secondo manico
- 6 Protezione
- 7 Lama di trancitura filo
- 8 Filo da taglio
- 9 Alloggiamento bobina
- 10 Testa

## MONTAGGIO

**▲ AVVERTENZA!** Prima di montarlo, assicurarsi che l'elettrotensile sia spento e scollegato dalla presa di corrente.

### Montaggio di un secondo manico (Fig. B)

#### solo GL310 e GL360

- Infilare il secondo manico **5** su quello principale **2** spingendolo verso l'alto.
- Fissare in sede il secondo manico con le due viti **19** fornite.

### Montaggio della protezione (Fig. C)

- Posizionare la protezione sull'elettrotensile come illustrato.
- Premere saldamente la protezione **6** fino a quando si aggancia in sede.
- Fissare la protezione con la vite **11**.

**▲ AVVERTENZA!** Non usare mai l'elettrotensile senza la protezione montata correttamente.

### Rilascio del filo da taglio

Durante il transito, il filo da taglio è fissato sull'alloggiamento della bobina con del nastro adesivo.

- Staccare il nastro adesivo che fissa il filo da taglio **8** sull'alloggiamento della bobina **9**.

### Collegamento dell'elettrotensile alla presa di corrente (Fig. D)

- Collegare la presa femmina di un cavo di prolunga idoneo alla spina **4**.
- Far passare il filo di alimentazione nel fermacavo **3**.
- Inserire la spina in una presa di corrente.

Per elettrotensili dotati di filo di alimentazione: Accertarsi che il filo di alimentazione sia stato avvolto attorno al fermacavo prima di collegare la spina alla presa di corrente.

**▲ AVVERTENZA!** Il cavo di prolunga deve essere idoneo all'impiego all'aperto.

## UTILIZZO

**▲ AVVERTENZA!** Lasciare che l'elettrotensile funzioni al suo ritmo. Non sovraccaricarlo.

### Accensione e spegnimento (Fig. A)

- Per accendere l'elettrotensile, premere la leva a grilletto **1**.
- Per spegnere l'elettrotensile, rilasciare la leva a grilletto.

**▲ AVVERTENZA!** Non tentare mai di bloccare una leva a grilletto su acceso.

## CONSIGLI PER UN UTILIZZO OTTIMALE

### In generale

- Per ottenere i migliori risultati di taglio, tosare l'erba solo quando è asciutta.

### Rifilatura (Fig. E)

- Tenere l'elettrotensile così come indicato in Fig. E.
- Far oscillare con attenzione il decespugliatore tagliabordi da un lato all'altro.
- Quando si taglia l'erba lunga, procedere in stadi partendo dalle punte. Eseguire dei tagli di piccola entità.
- Tenere l'elettrotensile lontano da oggetti duri e da piante delicate.
- Il filo da taglio si usura più rapidamente e richiede una maggior alimentazione se la tosatura è eseguita lungo marciapiedi o altre superfici abrasive oppure se si stanno tagliando erbacce folte.

- Dopo un uso prolungato del decespugliatore tagliabordi, il filo da taglio si accorcia a causa dell'usura. Battere con attenzione l'elettrotensile a terra durante il funzionamento per alimentare il filo.

- Se l'elettrotensile comincia a funzionare lentamente, ridurre il carico.

### Montaggio di una nuova bobina del filo da taglio (Fig. A, F, G)

Le bobine del filo da taglio di ricambio sono reperibili presso il rivenditore BLACK+DECKER (n. cat. A6226).

- Tenere premute le linguette **12** e staccare il coperchio della bobina **13** dall'alloggiamento **9**.
- Estrarre la bobina vuota **14** dal relativo alloggiamento.
- Eliminare sporcizia ed erba dal coperchio e dall'alloggiamento della bobina.
- Prendere la nuova bobina e srotolare 10 cm circa di filo da taglio.
- Far passare il filo da taglio dall'occhiello **15**.
- Premere la bobina sull'albero di comando **16** e ruotarla leggermente fino a quando si insedia. Verificare che il filo da taglio non sia inceppato sotto la bobina e che 10 cm di filo da taglio sporgano dall'alloggiamento.
- Allineare le linguette **12** sul coperchio della bobina ai fori nell'alloggiamento **15**.
- Premere il coperchio sull'alloggiamento fino a quando si aggancia saldamente in sede.

**▲ AVVERTENZA!** Se il filo da taglio sporge oltre la lama di trancitura **7**, tagliarlo in modo che raggiunga appena la lama.

### Avvolgere un nuovo filo da taglio sulla bobina vuota (Fig. H-J)

Avvolgere un nuovo filo da taglio sulla bobina vuota (Fig. H-J)

Confezioni di filo da taglio di ricambio sono reperibili presso il rivenditore BLACK+DECKER [n. cat. A6170 (25 m), A6046 (37,5 m) e A6171 (40 m)].

- Estrarre la bobina vuota dall'elettrotensile come descritto in precedenza.
- Rimuovere il filo da taglio rimanente dalla bobina.
- Far passare 2 cm di filo da taglio in uno dei fori **17** nella bobina come illustrato.
- Avvolgere il filo da taglio sulla bobina nella direzione della freccia **18**. Accertarsi che il filo sia avvolto in modo accurato e a strati. Non incrociarlo.
- Lasciare che il filo sporga 10 cm circa dalla bobina e tenere un dito sul filo per bloccarlo in sede.
- Procedere come descritto in precedenza per montare la bobina nell'elettrotensile.

**▲ AVVERTENZA!** Usare solo il corretto tipo di filo da taglio BLACK+DECKER.

### Sostituzione della spina (solo Regno Unito e Irlanda)

Se è necessario montare una nuova spina:

- smaltire in tutta sicurezza quella vecchia;
- collegare il filo marrone al morsetto sotto tensione della nuova spina;
- collegare il filo blu al morsetto neutro.

**▲ ATTENZIONE!** Non effettuare nessun collegamento sul morsetto di terra. Seguire le istruzioni fornite con le spine di buona qualità. Fusibile raccomandato: 5 A.

## RICERCA GUASTI

Se l'elettrotensile non dovesse funzionare correttamente, seguire le istruzioni riportate di seguito. Se non è comunque possibile risolvere il problema, rivolgersi al tecnico BLACK+DECKER di zona.

**▲ AVVERTENZA!** Prima di continuare, scollegare l'elettrotensile dalla presa di corrente.

### L'elettrotensile funziona lentamente

- Controllare che l'alloggiamento della bobina possa ruotare liberamente. Pulirlo con attenzione se necessario.
- Controllare che il filo da taglio non sporga più di 11 cm dall'alloggiamento della bobina. In caso affermativo, tagliarlo in modo che raggiunga appena la lama di trancitura del filo da taglio.

### Se l'alimentazione del filo con colpetto a terra non funziona

- Tenere premute le linguette e staccare il coperchio della bobina dall'alloggiamento.
- Tirare il filo da taglio fino a quando sporge 11 cm dall'alloggiamento. Se sulla bobina è rimasta una quantità insufficiente di filo da taglio, montarne una nuova come descritto in precedenza.
- Allineare le linguette sul coperchio della bobina alle sfenestrature nell'alloggiamento.
- Premere il coperchio sull'alloggiamento fino a quando si aggancia saldamente in sede.
- Se il filo da taglio sporge oltre la lama di trancitura, tagliarlo in modo che raggiunga appena la lama.

Se l'alimentazione del filo con colpetto a terra non funziona ancora oppure se la bobina è inceppata, provare uno dei seguenti suggerimenti.

- Pulire con attenzione il coperchio e l'alloggiamento della bobina.
- Rimuovere la bobina e controllare che la molla sia in posizione.
- Rimuovere la bobina e srotolare il filo da taglio e quindi avvolgerlo in modo ordinato come descritto in precedenza. Sostituire la bobina come da istruzioni.

## MANUTENZIONE

Questo apparecchio/elettrotensile BLACK+DECKER con o senza filo è stato progettato per funzionare a lungo con una manutenzione minima. Per ottenere prestazioni sempre soddisfacenti occorre avere cura dell'elettrotensile/apparecchio e sottoporlo a pulitura periodica.

**▲ AVVERTENZA!** Prima di eseguire interventi di manutenzione su elettrotensili con o senza filo procedere come descritto di seguito.

- Spegner e scollegare l'apparecchio/elettrotensile dalla presa di corrente.
- Oppure spegnere ed estrarre la batteria se l'apparecchio/elettrotensile è dotato di battery pack a parte.
- Oppure scaricare completamente la batteria se è di tipo integrale e quindi spegnerlo.
- Scollegare l'alimentatore prima di pulirlo. L'alimentatore non richiede nessuna manutenzione salvo una regolare pulitura.
- Pulire regolarmente le prese di ventilazione dell'elettrotensile/apparecchio e dell'alimentatore con un pennello o con un panno morbido e asciutto.

- Il vano del motore deve essere pulito regolarmente con un panno umido. Non usare materiali abrasivi o detersivi a base di solventi.

## Protezione dell'ambiente



Raccolta differenziata. Questo prodotto non deve essere smaltito con i normali rifiuti domestici.

Nel caso in cui l'elettrotensile BLACK+DECKER debba essere sostituito o non sia più necessario, non smaltirlo con i normali rifiuti domestici. Metterlo da parte per la raccolta differenziata.



La raccolta differenziata dei prodotti e degli imballaggi utilizzati consente il riciclaggio dei materiali e il loro continuo utilizzo.

Il riutilizzo dei materiali riciclati favorisce la protezione dell'ambiente prevenendo l'inquinamento e riduce il fabbisogno di materie prime.

Seguire la regolamentazione locale per la raccolta differenziata dei prodotti elettrici che può prevedere punti di raccolta o la consegna dell'elettrotensile al rivenditore presso il quale viene acquistato un nuovo prodotto.

BLACK+DECKER offre ai propri clienti la possibilità di riciclare i prodotti BLACK+DECKER che hanno esaurito la loro vita di servizio. Per usufruire di tale servizio, è sufficiente restituire il prodotto a qualsiasi tecnico autorizzato, incaricato della raccolta per conto dell'azienda.

Per individuare il tecnico autorizzato più vicino, rivolgersi alla sede BLACK+DECKER locale, presso il recapito indicato nel presente manuale. Altrimenti, un elenco completo di tutti i tecnici autorizzati BLACK+DECKER e i dettagli completi sui contatti e i servizi post-vendita sono disponibili su Internet all'indirizzo: [www.2helpu.com](http://www.2helpu.com).

## Dati tecnici

		GL250 Tipo 1	GL310 Tipo 1	GL360 Tipo 1
Tensione in ingresso	V <sub>c.a.</sub>	230	230	230
Potenza assorbita	W	250	300	350
Regime a vuoto	min <sup>-1</sup>	11500	11500	11500
Peso	kg	1,3	1,6	1,6

Valore medio quadratico ponderato dell'accelerazione secondo la normativa EN50636-2-91:2014:  
= 7,2 m/s<sup>2</sup>, incertezza (K) = 1,5 m/s<sup>2</sup>.

LPA (pressione sonora) 80 dB(A)  
incertezza (K) = 1,1 dB(A)

**Dichiarazione di conformità CE**  
**DIRETTIVA SUI MACCHINARI**  
**DIRETTIVA SULLA RUMOROSITÀ ESTERNA**



**GL250, GL310, GL360 - Tagliabordi**

BLACK+DECKER dichiara che i prodotti qui descritti nella sezione "Dati tecnici" sono conformi alle normative:

2006/42/CE, EN60335-1:2012 + A11:2014 + A13:2017 + A1:2019  
+ A14:2019 + A2:2019, EN50636-2-91:2014.

2000/14/CE, Tagliabordi, L < 50 cm, Allegato VI,

DEKRA Testing and Certification GmbH,  
Handwerkstraße 15, 70565 Stuttgart  
Località Ente di certificazione

Dinnendahlstr. 9, 44809 Bochum, Germania

Ente notificato numero: 0158

$L_{WA}$  (livello di potenza sonora misurata) 93 dB(A),  
incertezza (K) = 2,8 dB(A)

$L_{WA}$  (pressione sonora garantita) 96 dB(A).

Questi prodotti sono inoltre conformi alle direttive  
2014/30/UE e 2011/65/UE.

Per ulteriori informazioni, contattare BLACK+DECKER all'indirizzo  
seguente o vedere sul retro del manuale.

Il firmatario è responsabile della compilazione del documento  
tecnico e rende questa dichiarazione per conto di  
BLACK+DECKER.

*Patrick Diepenbach*

Patrick Diepenbach  
Direttore generale, Benelux  
BLACK+DECKER,  
Egide Walschaertsstraat 14-18  
2800 Mechelen, Belgio  
15.06.2021

## Garanzia

Certa della qualità dei suoi prodotti, BLACK+DECKER offre  
una garanzia eccezionale. Il presente certificato di garanzia  
è complementare ai diritti legali e non li pregiudica in alcun  
modo. La garanzia è valida entro il territorio degli Stati membri  
dell'Unione Europea e dell'EFTA (European Free Trade Area).

Se un prodotto BLACK+DECKER risulta difettoso per qualità del  
materiale, della costruzione o per mancata conformità entro  
24 mesi dalla data di acquisto, BLACK+DECKER garantisce la  
sostituzione delle parti difettose, provvede alla riparazione  
dei prodotti se ragionevolmente usurati oppure alla loro  
sostituzione, in modo da ridurre al minimo il disagio del cliente  
a meno che:

- il prodotto non sia stato destinato a usi commerciali,  
professionali o al noleggio;
- il prodotto non sia stato usato in modo improprio o scorretto;
- il prodotto non abbia subito danni causati da oggetti o  
sostanze estranee oppure incidenti;
- il prodotto non abbia subito tentativi di riparazione  
non effettuati da tecnici autorizzati né dall'assistenza  
BLACK+DECKER.

Per attivare la garanzia è necessario esibire la prova di acquisto  
al venditore o al tecnico autorizzato. Per individuare il tecnico  
autorizzato più vicino, rivolgersi alla sede BLACK+DECKER  
locale, presso il recapito indicato nel presente manuale.

Altrimenti, un elenco completo di tutti i tecnici autorizzati  
BLACK+DECKER e i dettagli completi sui contatti e i servizi  
post-vendita sono disponibili su Internet all'indirizzo:

**[www.2helpU.com](http://www.2helpU.com)**

I clienti che desiderano registrare il nuovo prodotto  
BLACK+DECKER e ricevere gli aggiornamenti sui nuovi  
prodotti e le offerte speciali, sono invitati a visitare il sito Web

(**[www.blackanddecker.it](http://www.blackanddecker.it)**). Ulteriori informazioni sul marchio e la  
gamma di prodotti BLACK+DECKER sono disponibili all'indirizzo  
**[www.blackanddecker.it](http://www.blackanddecker.it)**.

# TRIMMER

## GL250, GL310, GL360

### Beoogd Gebruik

Uw BLACK+DECKER™, GL250, GL310, GL360 trimmer is ontworpen voor het maaien en afwerken van gazonranden en om gras te maaien in beperkte ruimten. Dit apparaat is uitsluitend bestemd voor consumentengebruik.

### VEILIGHEIDSLNSTRUCTIES

**▲ WAARSCHUWING!** Bij apparaten voor gebruik op de netspanning moeten bepaalde elementaire voorzorgsmaatregelen, waaronder de navolgende, in acht worden genomen om het gevaar voor brand, elektrische schokken, persoonlijk letsel en materiële schade tot een minimum te beperken.

**▲ WAARSCHUWING!** De veiligheidsregels moeten worden opgevolgd wanneer u het apparaat gebruikt. Lees voor uw eigen veiligheid en de veiligheid van omstanders deze instructies voordat u het apparaat gebruikt. Bewaar de instructies voor later gebruik.

- Lees deze handleiding zorgvuldig door voordat u het apparaat in gebruik neemt.

- In deze handleiding wordt ingegaan op het beoogde gebruik. Het gebruik van andere accessoires of hulpstukken dan wel de uitvoering van andere handelingen dan in deze gebruikershandleiding worden aanbevolen, kan tot persoonlijk letsel leiden.

- Bewaar deze handleiding zorgvuldig zodat u deze altijd nog eens kunt raadplegen.

### Gebruik van het apparaat

Ga bij gebruik van het apparaat altijd voorzichtig te werk.

- Gebruik altijd een veiligheidsbril of oogbescherming.
- Laat het apparaat nooit gebruiken door kinderen of door personen die onbekend zijn met de instructies voor het apparaat.
- Laat kinderen of dieren niet in de buurt van de werkomgeving komen, en evenmin het apparaat of netsnoer aanraken.
- Let extra goed op wanneer u het apparaat in de buurt van kinderen gebruikt.
- Dit apparaat mag niet zonder supervisie door jonge of lichamelijk zwakke mensen worden gebruikt.
- Dit apparaat mag niet als speelgoed worden gebruikt.
- Gebruik het apparaat alleen bij daglicht of goed kunstlicht.
- Gebruik het apparaat alleen in een droge locatie. Het apparaat mag niet nat worden.
- Dompel het apparaat niet onder in water.
- Open de behuizing niet. Het apparaat bevat geen onderdelen die door de gebruiker kunnen worden gerepareerd.
- Gebruik het apparaat niet in een omgeving met explosiegevaar, zoals in de nabijheid van brandbare vloeistoffen, gassen of stof.
- Haal de stekker nooit uit het stopcontact door aan de kabel te trekken. Zo voorkomt u beschadiging aan de stekker of de kabel.

### Veiligheid van anderen

- Dit apparaat mag worden gebruikt door kinderen vanaf 8 jaar oud en personen met beperkte fysieke, zintuiglijke of mentale vaardigheden, of die een gebrek hebben aan ervaring en kennis, indien ze onder toezicht staan of gepaste instructies hebben

gekregen zodat ze het apparaat op een veilige manier kunnen gebruiken en op de hoogte zijn van de gevaren die het gebruik van het apparaat met zich meebrengt.

- Kinderen mogen niet met het apparaat spelen. Laat kinderen nooit zonder toezicht het apparaat schoonmaken of onderhouden.

### Overige risico's

Er kunnen zich tijdens het gebruik van het gereedschap ook andere risico's voordoen, die misschien niet in de bijgevoegde veiligheidswaarschuwingen worden vermeld. Deze risico's kunnen zich voordoen als gevolg van onoordeelkundig gebruik, langdurig gebruik, enz.

Zelfs als de veiligheidsvoorschriften in acht worden genomen en de veiligheidsvoorzieningen worden geïmplementeerd, kunnen bepaalde risico's niet worden vermeden. Deze omvatten:

- Verwondingen die worden veroorzaakt door het aanraken van draaiende of bewegende onderdelen.
- Verwondingen die worden veroorzaakt bij het vervangen van onderdelen, bladen of accessoires.
- Verwondingen die worden veroorzaakt door langdurig gebruik van het gereedschap. Als u langere periodes met het gereedschap werkt, is het raadzaam om regelmatig een pauze in te lassen.
- Gehoorbeschadiging.
- Gezondheidsrisico's als gevolg van het inademen van stof dat door gebruik van het gereedschap wordt veroorzaakt (bijvoorbeeld tijdens het werken met hout, vooral eiken, beuken en MDF).

### Na gebruik

- Bewaar het apparaat na gebruik op een droge, goed eventuele plaats, buiten het bereik van kinderen.
- Zorg dat het bewaarde apparaat niet toegankelijk is voor kinderen.
- Wanneer het apparaat in de auto ligt, moet u het apparaat in de kofferruimte plaatsen of goed vastzetten, zodat het apparaat niet kan wegschieten bij plotselinge veranderingen in snelheid of richting.

### Inspectie en reparaties

- Controleer het apparaat vóór gebruik op beschadigingen en defecten. Controleer het vooral op gebroken onderdelen en andere omstandigheden die de werking ervan kunnen beïnvloeden.
- Gebruik het apparaat niet in geval van een of meer beschadigde of defecte onderdelen.
- Laat beschadigde of defecte onderdelen door een van onze servicecentra repareren of vervangen.
- Probeer nooit andere onderdelen te verwijderen of vervangen dan in deze handleiding zijn vermeld.

### Een verlengsnoer gebruiken

Gebruik altijd een goedgekeurd verlengsnoer dat geschikt is voor het ingangsvermogen van dit apparaat (zie de **technische gegevens**). Het verlengsnoer moet geschikt zijn voor gebruik buitenshuis en dient als zodanig te zijn gemarkeerd. Er kan een H05VV-F verlengsnoer van 1,5 mm<sup>2</sup> van maximaal 30 m lang worden gebruikt zonder dat de prestaties van het



apparaat afnemen. Controleer het verlengsnoer vóór gebruik op tekenen van beschadiging, slijtage of veroudering. Vervang het verlengsnoer indien het beschadigd of defect is. Als u een haspel gebruikt, rolt u het snoer altijd helemaal af.

### Aanvullende veiligheidsinstructies voor grastrimmers

**▲ WAARSCHUWING!** Nadat u de motor hebt uitgeschakeld, blijven de maai-elementen draaien.

- Zorg ervoor dat u vertrouwd bent met de knoppen en met het juiste gebruik van het apparaat.
- Controleer het netsnoer en het verlengsnoer vóór gebruik op tekenen van beschadiging, veroudering en slijtage. Als het netsnoer tijdens het gebruik wordt beschadigd, moet u onmiddellijk de stekker uit het stopcontact halen. **RAAK HET NETSNOER IN DAT GEVAL PAS AAN WANNEER DE STEKKER UIT HET STOPCONTACT IS.**
- Gebruik het apparaat niet wanneer het netsnoer beschadigd of versleten is.
- Draag stevige schoenen of laarzen om uw voeten te beschermen.
- Draag een lange broek om uw benen te beschermen.
- Voordat u het apparaat gaat gebruiken, controleert u of het terrein dat u gaat maaien vrij van stokken, stenen, draad en andere obstakels is.
- Gebruik het apparaat alleen rechtop, met de snijdraad vlak bij de grond. Schakel het apparaat nooit in een andere stand in.
- Beweeg langzaam wanneer u het apparaat gebruikt. Let op: vers gemaaid gras is vochtig en glad.
- Werk niet op steile hellingen. Werk dwars over het vlak van een helling, niet omhoog en omlaag.
- Steek nooit grindpaden of wegen over wanneer het apparaat is ingeschakeld.
- Zorg ervoor dat u nooit de snijdraad aanraakt terwijl het apparaat in werking is.
- Leg het apparaat niet weg voordat de snijdraad helemaal tot stilstand is gekomen.
- Gebruik alleen het juiste type snijdraad. Gebruik nooit metalen snijdraad of visdraad.
- Zorg ervoor dat u de snijdraadkap niet aanraakt.
- Zorg ervoor dat het netsnoer uit de buurt van het snijdraad blijft. Zorg ervoor dat u altijd weet waar het snoer zich bevindt.
- Zorg ervoor dat u altijd uw handen en voeten uit de buurt van het snijdraad houdt, vooral wanneer u de motor inschakelt.
- Controleer het apparaat op tekenen van slijtage of schade en repareer deze indien nodig, voordat u het apparaat gebruikt en nadat het apparaat ergens tegenaan is gestoten.
- Gebruik het apparaat nooit met beschadigde beschermkappen of zonder beschermkappen.
- Zorg ervoor dat u geen verwondingen oploopt door apparaten die worden gebruikt om de snijlijn op lengte te snijden. Nadat u een nieuwe snijlijn hebt uitgetrokken, moet u het apparaat terugbrengen naar de normale gebruikspositie voordat u het apparaat inschakelt.
- Zorg er altijd voor dat de ventilatiesleuven niet verstopt raken.
- Gebruik de gazontrimmer (randtrimmer) niet wanneer de snoeren beschadigd of versleten zijn.
- Houd verlengsnoeren uit de buurt van maai-elementen.

### Labels op het apparaat

Naast de datumcode is het gereedschap voorzien van de volgende symbolen:



Lees de handleiding voordat u met het apparaat gaat werken.



Draag een veiligheidsbril of een stofbril als u dit apparaat gebruikt.



Maak gebruik van goede gehoorbescherming wanneer u dit apparaat gebruikt.



Trek altijd de stekker uit het stopcontact voordat u een beschadigd snoer inspecteert. Gebruik de strimmer niet als de kabel is beschadigd.



Wees bedacht op rondvliegende voorwerpen. Houd omstanders uit de buurt van het snijgebied.



Stel de grasmaaier niet bloot aan regen of een hoge luchtvochtigheid.



Richtlijn 2000/14/EC gegarandeerd geluidsvermogen.

### Elektrische veiligheid



Dit apparaat is dubbel geïsoleerd; een aardaansluiting is daarom niet noodzakelijk. Controleer altijd of de netspanning overeenkomt met de waarde op het typeplaatje.

- Als het netsnoer is beschadigd, moet dit worden vervangen door de fabrikant of een BLACK+DECKER-servicecentrum om gevaren te voorkomen.
- Met een zeer gevoelige reststromschakelaar (een RCD van 30 mA) wordt het risico van een elektrische schok verkleind.

### Onderdelen

Het apparaat kan de volgende onderdelen bevatten.

- 1 Aan/uit-schakelaar
- 2 Handgreep
- 3 Snoerhouder
- 4 Stekkerbus
- 5 Tweede greep
- 6 Beschermkap
- 7 Snijdraadkap
- 8 Snijdraad
- 9 Spoelbehuizing
- 10 Kop

### MONTAGE

**▲ WAARSCHUWING!** Zorg vóór aanvang van de montage dat het apparaat is uitgeschakeld en de netstekker is losgekoppeld van het lichtnet.

## De tweede greep bevestigen (Fig. B) alleen GL310 & GL360

- Schuif de tweede greep **5** omhoog op de hoofdgreep **2**.
- Bevestig de tweede greep met de twee bijgeleverde schroeven **19**.

## Aanbrengen van de beschermkap (Fig. C)

- Plaats de beschermkap zoals aangegeven op het apparaat.
- Druk stevig op de beschermkap **6** totdat deze vastklikt.
- Bevestig de beschermkap met de schroef **11**.

**▲ WAARSCHUWING!** Gebruik het apparaat nooit wanneer de beschermkap niet juist is bevestigd.

## De snijdraad losmaken

Tijdens transport is de snijdraad aan de spoelbehuizing bevestigd met tape.

- Verwijder de tape waarmee de snijdraad **8** aan de spoelbehuizing **9** is bevestigd.

## Aansluiting van het apparaat op de netspanning (Fig. D)

- Sluit de contrastekker van een geschikt verlengsnoer aan op de stekkerbus **4**.
- Steek het snoer door de snoerhouder **3**.
- Sluit de netstekker aan op de netspanning.

Voor apparaten met een vaste kabel: Controleer of het snoer door de snoerklem is gestoken voordat u de stekker in het stopcontact steekt.

**▲ WAARSCHUWING!** Het verlengsnoer moet geschikt zijn voor gebruik buitenshuis.

## GEBRUIK VAN HET GEREEDSCHAP

**▲ WAARSCHUWING!** Laat het gereedschap in zijn eigen tempo werken. Niet overbelasten.

## In- en uitschakelen (Fig. A)

- Druk de trekker **1** in om het apparaat in te schakelen.
- Laat de trekker los om het apparaat uit te schakelen.

**▲ WAARSCHUWING!** Probeer nooit om een trekker in de ingeschakelde stand te vergrendelen.

## TIPS VOOR OPTIMAAL GEBRUIK

### Algemeen

- U krijgt de beste maairesultaten wanneer u uitsluitend droog gras maait.

### Trimmen (Fig. E)

- Houd het gereedschap vast, zoals wordt aangegeven in Fig. E.
- Beweeg de trimmer rustig van de ene naar de andere kant.
- Wanneer u lang gras maait, moet u in stappen van bovenaf maaien. Maai telkens een klein stuk.
- Houd het apparaat uit de buurt van harde voorwerpen en tere planten.
- De snijdraad slijt sneller en moet vaker verlengd worden wanneer u vaak langs stoepen of andere schurende oppervlakken maait, of wanneer u zwaar onkruid maait.
- Terwijl u maait, zal de draad korter worden door slijtage. Als u het apparaat voorzichtig op de grond klopt wanneer dit in werking is, zal de lijn langer worden.
- Verlaag de spoel met snijdraad het apparaat langzamer draait.

## Een nieuwe spoel met snijdraad plaatsen (Fig. A, F, G)

Vervangende spoelen met snijdraad zijn verkrijgbaar via uw BLACK+DECKER-leverancier (cat. nr. A6226).

- Houd de lipjes **12** ingedrukt en verwijder de spoelkap **13** van de behuizing **9**.
- Verwijder de lege spoel **14** uit de spoelbehuizing.
- Verwijder alle vuil en gras van de spoelkap en de behuizing.
- Neem de nieuwe spoel en rol ongeveer 10 cm snijdraad af.
- Streek de snijdraad door het oogje **15**.
- Druk de spoel op de aandrijfas **16** en draai deze licht totdat de spoel stevig is geplaatst. Zorg dat de snijlijn niet vastzit onder de spoel en dat er 10 cm snijlijn uit de behuizing steekt.
- Breng de lipjes **12** op de spoelkap op één lijn met de gaten in de behuizing **15**.
- Druk de kap op de behuizing totdat deze stevig vastklikt.

**▲ WAARSCHUWING!** Als de snijdraad verder uitsteekt dan de snijdraadkap **7**, moet u de draad afsnijden totdat deze niet verder dan de kap reikt.

## Een nieuwe snijdraad op een lege spoel wikkelen (Fig. H–J)

U kunt een nieuwe snijdraad op een lege spoel wikkelen.

Vervangende verpakkingen met snijdraad zijn verkrijgbaar via uw BLACK+DECKER-leverancier [cat. nr. A6170 (25 m), A6046 (37,5 m) en A6171 (40 m)]

- Verwijder de lege spoel van het apparaat, zoals hierboven aangegeven.
- Verwijder overgebleven snijdraad van de spoel.
- Steek 2 cm van de snijdraad in een van de gaten **17** in de spoel zoals aangegeven.
- Wikkel de snijdraad op de spoel, in de richting van de pijl **18**. Zorg dat u de draad netjes en in lagen opwikkelt. Wikkel de draad niet kruislings.
- Laat de draad ongeveer 10 cm van de spoel uitsteken en houd een vinger op de draad om deze op zijn plaats te houden.
- Ga door zoals hierboven beschreven en plaats de spoel op het apparaat.

**▲ WAARSCHUWING!** Gebruik alleen het juiste type BLACK+DECKER snijdraad.

## Netstekker vervangen (alleen Verenigd Koninkrijk en Ierland)

Als er een nieuwe netstekker moet worden aangebracht:

- Gooi de oude stekker op verantwoorde wijze weg.
- Verbind de bruine draad met de spannings-/fasepool in de nieuwe stekker.
- Verbind de blauwe draad met de nul-/neutraalpool.

**▲ WAARSCHUWING!** De aardepool hoeft niet te worden aangesloten. Volg de bevestigingsinstructies die met hoogwaardige stekkers worden meegeleverd. Aanbevolen zekering: 5 A.

## PROBLEMEN OPLOSSEN

Als het apparaat niet goed lijkt te werken, volgt u de onderstaande instructies op. Neem contact op met het dichtstbijzijnde BLACK+DECKER-servicecentrum als u het probleem niet kunt verhelpen.

**▲ WAARSCHUWING!** Neem het gereedschap uit het stopcontact voordat u doorgaat.

### Het apparaat draait langzaam

- Controleer of de spoelbehuizing vrij kan draaien. Reinig de behuizing zorgvuldig, indien nodig.
- Controleer of de snijdraad niet meer dan 11 cm uit de spoelbehuizing steekt. Als de snijdraad verder uitsteekt dan 11

cm, moet u de draad afsnijden totdat deze niet verder dan de snijdraadkap reikt.

**De draad wordt niet langer wanneer het apparaat wordt gestoten**

- Houd de draad van lipjes ingedrukt en verwijder de spoelkap van de behuizing.
- Trek aan de snijdraad, totdat deze 11 cm uit de behuizing steekt. Als de spoel onvoldoende snijdraad bevat, moet u een nieuwe spoel met snijdraad plaatsen, zoals hierboven aangegeven.
- Breng de lipjes op de spoelkap op één lijn met de uitsparingen in de behuizing.
- Druk de kap op de behuizing totdat deze stevig vastklikt.
- Als de snijdraad verder uitsteekt dan de snijdraadkap, moet u de draad afsnijden totdat deze niet verder dan de kap rekt. Als het verlengen door te stoten niet werkt, of wanneer de spoel is geblokkeerd, kunt u de volgende suggesties proberen:
- Reinig de spoelkap en de behuizing voorzichtig.
- Verwijder de spoel en controleer dat de veer op de juiste plaats zit.
- Verwijder de spoel en wikkel de snijdraad af. Wikkel deze netjes weer op, zoals hierboven beschreven. Vervang de spoel zoals beschreven.

**ONDERHOUD**

Uw BLACK+DECKER-gereedschap/-apparaat (met netsnoer/snoerloos) is ontworpen om gedurende langere tijd te functioneren met een minimum aan onderhoud. U kunt het gereedschap/apparaat naar volle tevredenheid blijven gebruiken als u voor correct onderhoud zorgt en het gereedschap/apparaat regelmatig schoonmaakt.

**▲ WAARSCHUWING!** *Doe altijd het volgende voordat u onderhouds- of reinigingswerkzaamheden aan het gereedschap (met snoer/snoerloos) uitvoert.*

- Schakel het gereedschap/apparaat uit en trek de stekker uit het stopcontact.
- Als het gereedschap/apparaat een afzonderlijke accu heeft, schakelt u het gereedschap/apparaat uit en haalt u de accu eruit.
- Als de accu is ingebouwd, laat u deze volledig ontladen. Schakel dan het apparaat uit.
- Neem de lader uit het stopcontact voordat u deze schoonmaakt. Naast regelmatige reiniging vereist de lader geen onderhoud.
- Reinig regelmatig de ventilatieopeningen van het gereedschap/apparaat en de lader met een zachte borstel of droge doek.
- Reinig de behuizing van de motor regelmatig met een vochtige doek. Gebruik geen schuur- of oplosmiddel.

**Milieu**



Aparte inzameling. Dit product mag niet met normaal huishoudelijk afval worden weggegooid.

Mocht u op een dag constateren dat het BLACK+DECKER-product aan vervanging toe is of dat u het apparaat niet meer nodig hebt, gooi het product dan niet bij het restafval. Het product valt onder de categorie voor elektrische apparaten.



Gescheiden inzameling van gebruikte producten en verpakkingsmaterialen maakt het mogelijk materialen te recyclen en opnieuw te gebruiken.

Hergebruik van gerecycleerde materialen zorgt voor minder milieuvervuiling en dringt de vraag naar grondstoffen terug. Plaatselijke verordeningen kunnen voorzien in gescheiden inzameling van huishoudelijke elektrische producten via gemeentelijke stortplaatsen of via de leverancier bij wie u een nieuw product aanschaft.

BLACK+DECKER biedt de mogelijkheid tot het recyclen van afgedankte BLACK+DECKER-producten. Om gebruik te maken van deze service, dient u het product naar een van onze servicecentra te sturen, die de inzameling voor ons verzorgen. U kunt het adres van het dichtstbijzijnde BLACK+DECKER-servicecentrum opvragen via de adressen op de achterzijde van deze handleiding. U kunt ook een lijst van onze servicecentra en meer informatie m.b.t. onze klantenservice vinden op het volgende internetadres: [www.2helpU.com](http://www.2helpU.com).

**Technische gegevens**

		GL250 type 1	GL310 type 1	GL360 type 1
Ingangsspanning	V <sub>ac</sub>	230	230	230
Opgenomen vermogen	W	250	300	350
Onbelaste snelheid	min <sup>-1</sup>	11500	11500	11500
Gewicht	kg	1,3	1,6	1,6

Gewogen waarde van hand-arm-trilling, gemeten volgens EN50636-2-91:2014:

= 7,2 m/s<sup>2</sup>, onzekerheid (K) = 1,5 m/s<sup>2</sup>.

L<sub>PA</sub> (geluidsvermogen) 80 dB(A)  
onzekerheid (K) = 1,1 dB(A)

**EG-conformiteitsverklaring  
RICHTLIJN MACHINERIEËN**

**RICHTLIJN VOOR GELUID BUITENSHUIS**



**GL250, GL310, GL360 - Trimmer**

BLACK+DECKER verklaart hierbij dat de producten die worden beschreven onder "technische gegevens", voldoen aan: 2006/42/EC, EN60335-1:2012 + A11:2014 + A13:2017 + A1:2019 + A14:2019 + A2:2019, EN50636-2-91:2014.

2000/14/EC, Draadtrimmer, L < 50cm, Bijlage VI, DEKRA Testing and Certification GmbH, Handwerkstraße 15, 70565 Stuttgart  
Location Certification Body,  
Dinnendahlstr. 9, 44809 Bochum, Duitsland  
Nummer aangemelde instantie: 0158

L<sub>WA</sub> (gemeten geluidsvermogeniveau) 93 dB(A)  
onzekerheid (K) = 2,8 dB(A),

L<sub>WA</sub> (gegarandeerd geluidsvermogen) 96 dB(A)

Deze producten voldoen ook aan Richtlijn 2014/30/EU en 2011/65/EU.

Neem voor meer informatie contact op met BLACK+DECKER op het volgende adres of kijk op de achterzijde van de handleiding. De ondergetekende is verantwoordelijk voor de samenstelling van het technische bestand en legt deze verklaring af namens BLACK+DECKER.

*Patrick Diepenbach*

Patrick Diepenbach  
General Manager, Benelux  
BLACK+DECKER,  
Egide Walschaertsstraat 14-18  
2800 Mechelen, België  
15.06.2021

### **Garantie**

BLACK+DECKER heeft vertrouwen in haar producten en biedt een uitstekende garantie. Deze garantiebepalingen vormen een aanvulling op uw wettelijke rechten en beperken deze niet. De garantie geldt in de lidstaten van de Europese Unie en de Europese Vrijhandelsassociatie.

Mocht uw BLACK+DECKER product binnen 24 maanden na de datum van aankoop defect raken ten gevolge van materiaal- of constructiefouten, dan garanderen wij de kosteloze vervanging van defecte onderdelen, de reparatie van het product of de vervanging van het product, tenzij:

- Het product is gebruikt voor handelsdoeleinden, professionele toepassingen of verhuurdoeleinden.
- Het product onoordeelkundig is gebruikt.
- Het product is beschadigd door invloeden van buitenaf of door een ongeval.
- Reparaties zijn uitgevoerd door anderen dan onze servicecentra of BLACK+DECKER-personeel.

Om een beroep te doen op de garantie, dient u een aankoopbewijs te overhandigen aan de verkoper of een van onze servicecentra. U kunt het adres van het dichtstbijzijnde BLACK+DECKER-servicecentrum opvragen via de adressen op de achterzijde van deze handleiding. U kunt ook een lijst van BLACK+DECKER servicecentra en meer informatie m.b.t. onze klantenservice vinden op het volgende internetadres:

**[www.2helpU.com](http://www.2helpU.com)**

Meld u aan op onze website **[www.blackanddecker.nl](http://www.blackanddecker.nl)** om te worden geïnformeerd over nieuwe producten en speciale aanbiedingen. Verdere informatie over het merk BLACK+DECKER en onze producten vindt u op **[www.blackanddecker.nl](http://www.blackanddecker.nl)**.

# TRIMMER

## GL250, GL310, GL360

### Uso Previsto

Su cortadora BLACK+DECKER™, GL250, GL310, GL360 se ha diseñado para cortar y acabar bordes de césped y para cortar césped en zonas difíciles. Este aparato se ha diseñado únicamente para uso doméstico.

### INSTRUCCIONES DE SEGURIDAD

**▲ ATENCIÓN!** Si utiliza aparatos conectados a la red eléctrica, es necesario seguir las precauciones de seguridad básicas, incluidas las que se indican a continuación, para reducir el riesgo de incendios, descargas eléctricas, lesiones y daños materiales.

**▲ ATENCIÓN!** Cuando utilice el aparato se deben seguir las normas de seguridad. Por su propia seguridad y por la de otras personas, lea estas instrucciones antes de utilizar el aparato. Conserve estas instrucciones para consultarlas en un futuro.

- Lea todo el manual detenidamente antes de utilizar el aparato.
- En este manual se describe el uso para el que se ha diseñado el aparato. La utilización de accesorios o la realización de operaciones distintas de las recomendadas en este manual de instrucciones puede presentar un riesgo de lesiones.
- Conserve este manual para futuras consultas.

### Utilización del aparato

- Tenga siempre mucho cuidado al utilizar el aparato.
- Utilice siempre gafas protectoras.
- Nunca permita que los niños ni las personas no familiarizadas con estas instrucciones utilicen el aparato.
- Evite que los niños y animales se acerquen a la zona de trabajo y toquen el aparato o el cable de alimentación.
- Procure tener cuidado si utiliza el aparato cerca de niños.
- Este aparato está pensado para utilizarse con la supervisión correspondiente en el caso de menores o personas que no cuentan con la fuerza necesaria.
- Este aparato no es un juguete.
- Utilice el aparato únicamente a la luz del día o con iluminación artificial adecuada.
- Utilícelo únicamente en lugares secos. Tenga cuidado de no mojar el aparato.
- No sumerja el aparato en agua.
- No abra la carcasa. Las piezas del interior del aparato no pueden ser reparadas por el usuario.
- No utilice el aparato en un entorno con peligro de explosión, en el que se encuentren líquidos, gases o materiales en polvo inflamables.
- Para evitar dañar las clavijas o los cables, no tire nunca del cable para extraer la clavija de la toma de corriente.

### Seguridad de terceros

- Este aparato puede ser utilizado por niños a partir de los 8 años y personas con capacidades físicas, sensoriales o mentales reducidas o falta de experiencia y conocimiento. Si han recibido supervisión o instrucción con respecto al uso del aparato de forma segura y comprenden los riesgos involucrados.
- Los niños no deben jugar con el aparato. Ningún niño deberá realizar las tareas de limpieza y mantenimiento, salvo que lo hagan bajo supervisión.

### Riesgos residuales

El uso de esta herramienta puede producir riesgos residuales adicionales no incluidos en las advertencias de seguridad adjuntas. Estos riesgos se pueden generar por un uso incorrecto, demasiado prolongado, etc.

El cumplimiento de las normas de seguridad correspondientes y el uso de dispositivos de seguridad no evitan ciertos riesgos residuales. Estos riesgos incluyen:

- Lesiones producidas por el contacto con piezas móviles o giratorias.
- Lesiones producidas al cambiar cualquier pieza, cuchilla o accesorio.
- Lesiones producidas al usar una herramienta por un tiempo demasiado prolongado. Si utiliza una herramienta durante períodos de tiempo demasiado prolongados, asegúrese de realizar pausas con frecuencia.
- Discapacidad auditiva.
- Riesgos para la salud producidos al respirar el polvo que se genera al usar la herramienta (por ejemplo: en los trabajos con madera, especialmente de roble, haya y tableros de densidad mediana).

### Después de la utilización

- Cuando el aparato no esté en uso, deberá guardarse en un lugar seco, bien ventilado y lejos del alcance de los niños.
- Los niños no deben tener acceso a los aparatos guardados.
- Cuando se guarde o transporte el aparato en un vehículo, deberá colocarse en el maletero o asegurarse para evitar movimientos producidos por cambios repentinos en la velocidad o la dirección.

### Inspecciones y reparaciones

- Antes de utilizarlo, compruebe que el aparato no tiene piezas dañadas o defectuosas. Compruebe que no hay piezas rotas u otros defectos que puedan afectar al funcionamiento del aparato.
- No utilice el aparato si presenta alguna pieza dañada o defectuosa.
- Solicite a un agente de servicio técnico autorizado la reparación o sustitución de las piezas dañadas o defectuosas.
- Nunca intente extraer ni sustituir piezas no especificadas en este manual.

### Utilización de un cable de prolongación

Utilice siempre un cable de prolongación adecuado para la entrada de corriente de este aparato (consulte la **ficha técnica**).

El cable de prolongación debe ser adecuado para su uso en exteriores y presentar las indicaciones oportunas. Se puede utilizar un cable de prolongación HOSVV-F de 1,5 mm<sup>2</sup> y de hasta 30 m sin pérdida de rendimiento del producto. Antes de utilizar el cable de prolongación, compruebe que no está dañado, gastado o deteriorado. Si está dañado o defectuoso, sustitúyalo. Cuando utilice una bobina de cable, desenrolle siempre todo el cable.

### Instrucciones de seguridad adicionales para cortadoras de césped

**▲ ATENCIÓN!** Una vez apagado el motor, los elementos que se están cortando continuarán girando.

- Familiarícese con los controles y el uso correcto del aparato.
- Antes de utilizar el cable de alimentación y el cable de extensión, compruebe que no están dañados, gastados o deteriorados. Si se daña un cable mientras utiliza el producto, desconecte el cable de la red eléctrica inmediatamente. **NO TOQUE EL CABLE SIN HABERLO DESCONECTADO PREVIAMENTE DE LA RED ELÉCTRICA.**
- No utilice el aparato si los cables están dañados o desgastados.
- Utilice calzado resistente para proteger los pies.
- Vista pantalones largos para proteger las piernas.
- Antes de utilizar el aparato, compruebe que la zona que vaya a cortar no tenga ramas, piedras, alambres o ningún otro obstáculo.
- Utilice el aparato solamente en posición vertical, con la línea de corte cerca del suelo. No conecte nunca el aparato en otra posición.
- Mueva lentamente el aparato cuando lo utilice. Tenga en cuenta que el césped recién cortado está húmedo y resbaladizo.
- No trabaje en pendientes pronunciadas. Trabaje en sentido transversal a la pendiente, no hacia arriba o abajo.
- Nunca cruce caminos de grava ni carreteras mientras el aparato está en funcionamiento.
- Nunca toque la línea de corte mientras el aparato está en funcionamiento.
- No deposite el aparato hasta que la línea de corte se detenga por completo.
- Utilice únicamente el tipo de línea de corte apropiado. Nunca utilice líneas de corte o sedales de metal.
- Tenga cuidado de no tocar la hoja de la línea de corte.
- Tenga sumo cuidado en mantener el cable de alimentación lejos de la línea de corte. Tenga cuidado con la posición del cable en todo momento.
- Mantenga las manos y los pies alejados de la línea de corte en todo momento, especialmente al encender el motor.
- Antes de utilizar el aparato y después de cualquier impacto, compruebe si hay señales de desgaste o daños y repárelos si fuera necesario.
- Nunca utilice el aparato con protectores dañados o que no estén colocados en su lugar.
- Tome precauciones contra las lesiones causadas por cualquier dispositivo colocado para cortar la línea de filamentos. Después de prolongar una nueva línea de corte, coloque de nuevo el aparato en su posición normal de funcionamiento antes de encenderlo.
- Asegúrese siempre de que las ranuras de ventilación no tengan restos.
- No utilice el cortacésped (cortasetos) si los cables están dañados o desgastados.
- Mantenga los cables de extensión alejados de los elementos de corte.

### Etiquetas del aparato

Junto con el código de la fecha, en la herramienta aparecen los siguientes símbolos:



Lea el manual antes de utilizar el aparato.



Cuando utilice el aparato, lleve siempre gafas protectoras.



Cuando maneje el aparato, utilice protectores para los oídos adecuados.



Antes de revisar un cable dañado, retire siempre la clavija del enchufe de corriente. Tenga cuidado de no utilizar la cortadora si el cable está estropeado.



Tenga cuidado con los objetos que salen volando. Mantenga a otras personas alejadas de la zona de corte.



No exponga el aparato a la lluvia ni a una humedad elevada.



Directiva 2000/14/CE sobre la potencia acústica garantizada.

### Seguridad eléctrica



El aparato lleva un doble aislamiento; por lo tanto no requiere una toma a tierra. Compruebe siempre que la tensión de la red corresponda con el valor indicado en la placa de datos de la herramienta.

- Si se dañara el cable de alimentación, deberá ser sustituido por el fabricante o por un centro de asistencia técnica autorizado de BLACK+DECKER para evitar cualquier situación de riesgo.
- Se puede incrementar la seguridad eléctrica mediante dispositivos de corriente residual de 30 mA de alta sensibilidad.

### Características

Este aparato incluye una o más de las siguientes características.

- 1 Interruptor de encendido/apagado
- 2 Asa de transporte
- 3 Fijación para el cable
- 4 Entrada de alimentación
- 5 Asa secundaria
- 6 Protector
- 7 Hoja de línea de corte
- 8 Línea de corte
- 9 Compartimento para la bobina
- 10 Cabeza

### MONTAJE

**⚠ ATENCIÓN!** Antes de proceder al montaje, compruebe que la herramienta está apagada y desenchufada.

### Colocación del asa secundaria (Fig. B)

#### solo para GL310 y GL360

- Deslice el asa secundaria **5** en el asa principal **2** hacia arriba.
- Fije el asa secundaria con los dos tornillos **19** suministrados.

## Ajuste del protector (Fig. C)

- Coloque el protector en la herramienta tal como se muestra.
- Presione firmemente el protector **6** hasta que encaje en su sitio.
- Fije el protector con el tornillo **11**.

**▲ ATENCIÓN!** Nunca utilice la herramienta a menos que el protector esté colocado correctamente.

## Cómo soltar la línea de corte

Mientras se encuentra en tránsito, la línea de corte se encuentra sujeta al compartimento para la bobina con una cinta.

- Extraiga la cinta que sujeta la línea de corte **8** al compartimento para la bobina **9**.

## Conexión de la herramienta a la corriente (Fig. D)

- Conecte la clavija hembra de un cable de prolongación adecuado para la toma eléctrica de la herramienta **4**.
- Enrolle el cable a través de dicha fijación **3**.
- Introduzca el enchufe en una toma de corriente.

Para conectarse en unidades de cable: Asegúrese de que el cable está enrollado en la fijación antes de conectar el enchufe a la toma de corriente.

**▲ ATENCIÓN!** El cable de prolongación debe ser adecuado para el uso en exteriores.

## USO

**▲ ATENCIÓN!** Deje que la herramienta funcione a su ritmo. No la sobrecargue.

## Encendido y apagado (Fig. A)

- Pulse el gatillo para encender la herramienta **1**.
- Suelte el gatillo para apagar la herramienta.

**▲ ATENCIÓN!** No intente nunca trabar un gatillo en la posición de encendido.

## CONSEJOS PARA UN USO ÓPTIMO

### General

- Para obtener unos resultados de corte óptimos, corte únicamente la hierba seca.

### Corte (Fig. E)

- Sostenga la herramienta como se muestra en la Fig. E.
- Balancee suavemente la cortadora de un lado a otro.
- Cuando corte césped largo, trabaje por fases desde arriba. Realice cortes pequeños.
- Mantenga la herramienta alejada de objetos duros y plantas delicadas.
- La línea de corte se desgasta con más rapidez y necesita más alimentación si el corte se realiza en pavimentos u otras superficies abrasivas o si se cortan malas hierbas resistentes.
- Al utilizar la cortadora, la cuerda se reducirá debido al desgaste. Sacuda la unidad suavemente en el suelo mientras está funcionando y la línea se alimentará.
- Si la herramienta comienza a funcionar lentamente, reduzca la carga.

## Colocación de una nueva bobina de línea de corte (Fig. A, F, G)

Las bobinas de línea de corte de repuesto están disponibles en el distribuidor de BLACK+DECKER más cercano (número de catálogo A6226).

- Mantenga las pestañas **12** presionadas y extraiga la cubierta de la bobina **13** del compartimento **9**.

- Retire la bobina vacía **14** del compartimento para la bobina.
- Elimine la suciedad y los restos de césped de la cubierta y el compartimento de la bobina.
- Tome la nueva bobina y desenróllela aproximadamente 10 cm de la línea de corte.
- Alimente la línea de corte a través de la abertura **15**.
- Empuje la bobina en el eje impulsor **16** y gírela ligeramente hasta que se coloque en su sitio. Asegúrese de que la línea de corte no queda atrapada bajo la bobina y que a 10 cm de la línea de corte sobresale del compartimento.
- Alinee las pestañas **12** en la cubierta de la bobina con los orificios en el compartimento **15**.
- Empuje la cubierta en el compartimento hasta que se coloque en su lugar correctamente.

**▲ ATENCIÓN!** Si la línea de corte sobresale más allá de la hoja de corte **7**, córtela de modo que llegue hasta la hoja.

## Enrollado de una línea de corte nueva en una bobina vacía (Figs. H–J)

Es posible enrollar una línea de corte nueva en una bobina vacía.

Los paquetes de repuesto están disponibles en el distribuidor de BLACK+DECKER más cercano [número de catálogo A6170 (25 m), A6046 (37,5 m) y A6171 (40 m)].

- Retire la bobina vacía de la herramienta como se describe anteriormente.
- Retire cualquier línea de corte restante de la bobina.
- Alimente 2 cm de línea de corte en uno de los orificios **17** de la bobina como se muestra.
- Enrolle la línea de corte en la bobina en la dirección que indica la flecha **18**. Asegúrese de enrollar la línea de manera que no cuelgue y a capas. No la enrolle entrecruzada.
- Deje que la línea sobresalga aproximadamente 10 cm de la bobina y mantenga un dedo en la línea para mantenerla en su sitio.
- Siga los pasos descritos anteriormente para colocar la bobina en la herramienta.

**▲ ATENCIÓN!** Utilice únicamente el tipo de línea de corte apropiado de BLACK+DECKER.

## Sustitución del enchufe de la red eléctrica (sólo para el Reino Unido e Irlanda)

Si es necesario colocar un nuevo enchufe para la red eléctrica:

- Deseche el enchufe anterior según las normas de seguridad.
- Conecte el cable marrón al terminal conductor del nuevo enchufe.
- Conecte el cable azul al terminal neutro.

**▲ ATENCIÓN!** No se debe realizar ninguna conexión al terminal de conexión a tierra. Siga las instrucciones de montaje que se suministran con los enchufes de buena calidad. Fusible recomendado: 5 A.

## SOLUCIÓN DE PROBLEMAS

Si le pareciera que la herramienta no funciona de forma adecuada, siga las instrucciones que se indican a continuación. Si no se resuelve el problema, póngase en contacto con un técnico autorizado de BLACK+DECKER.

**▲ ATENCIÓN!** Antes de hacerlo, desconecte la herramienta.

### El aparato funciona lentamente

- Compruebe que el compartimento para la bobina puede girar sin problemas. Límpielo con cuidado si fuera necesario.

• Compruebe que la línea de corte no sobresale más de 11 cm del compartimento para la bobina. Si lo hace, córtela de modo que llegue hasta la hoja de la línea de corte.

**Si la bomba de alimentación no funciona**

- Mantenga las pestañas presionadas y extraiga la cubierta de la bobina del compartimento.
- Empuje la línea de corte hasta que sobresalga 11 cm del compartimento. Si se deja una línea de corte insuficiente en el bobina, instale una nueva bobina de línea de corte como se indica anteriormente.
- Alinee las pestañas en la cubierta de la bobina con los cortes en el compartimento.
- Empuje la cubierta en el compartimento hasta que se coloque en su lugar correctamente.
- Si la línea de corte sobresale más allá de la hoja de corte , córtela de modo que llegue hasta la hoja.

Si la bomba aún no funciona o la bobina está atascada, pruebe las siguientes sugerencias:

- Limpie con cuidado la cubierta de la bobina y el compartimento para esta.
- Retire la bobina y compruebe que el muelle está en su sitio.
- Retire la bobina y desenrolle la línea de corte y, a continuación, enróllela otra vez sin que cuelgue como se describe anteriormente. Sustituya la bobina como se ha indicado.



**MANTENIMIENTO**

Este aparato o herramienta con o sin cable de BLACK+DECKER se ha diseñado para que funcione durante un largo período de tiempo con un mantenimiento mínimo. El funcionamiento satisfactorio continuado depende de un cuidado apropiado y una limpieza periódica de la herramienta o aparato.

**▲ ATENCIÓN!** Antes de realizar el mantenimiento de herramientas eléctricas con o sin cables:

- Apague y desenchufe el aparato o herramienta.
- O bien, apague y extraiga las pilas o la batería del aparato o herramienta, en caso de que disponga de una batería separada.
- O bien, deje que la batería se agote por completo si es integral y, a continuación, apague el aparato.
- Desenchufe el cargador antes de limpiarlo. El cargador no requiere ningún mantenimiento especial excepto la limpieza.
- Limpie periódicamente las ranuras de ventilación de la herramienta, aparato y cargador con un cepillo suave o un paño seco.
- Limpie periódicamente la carcasa del motor con un paño húmedo. No utilice limpiadores de base abrasiva o disolventes.

**Protección del medio ambiente**

-  Recogida selectiva. No se debe desechar este producto con el resto de residuos domésticos. Si llegase el momento en que fuese necesario sustituir su producto BLACK+DECKER o si este dejase de tener utilidad para usted, no lo deseche junto con los residuos domésticos. Sepárelo para su recogida selectiva
  -  La recogida selectiva de productos y embalajes usados permite el reciclaje de materiales y su reutilización. La reutilización de materiales reciclados contribuye a evitar la contaminación medioambiental y reduce la demanda de materias primas.
- Las normativas municipales deben ofrecer la recogida selectiva de productos eléctricos del hogar, en puntos municipales

previstos para tal fin o a través del distribuidor cuando adquiera un nuevo producto.

BLACK+DECKER proporciona facilidades para la recogida y reciclado de los productos BLACK+DECKER que han llegado al final de su vida útil. Para poder utilizar este servicio, le rogamos que entregue el producto a cualquier agente de servicio técnico autorizado para que se haga cargo de él en nuestro nombre.

Puede consultar la dirección de su agente de servicio técnico más cercano si se pone en contacto con la oficina local de BLACK+DECKER en la dirección que se indica en este manual. Como alternativa puede consultar la lista de servicios técnicos autorizados de BLACK+DECKER y obtener la información completa de nuestros servicios de posventa y los contactos disponibles en la siguiente dirección de Internet: [www.2helpU.com](http://www.2helpU.com).

**Ficha técnica**

		GL250 Tipo 1	GL310 Tipo 1	GL360 Tipo 1
Voltaje de entrada	V <sub>CA</sub>	230	230	230
Tensión de entrada	W	250	300	350
Velocidad sin carga	min <sup>-1</sup>	11500	11500	11500
Peso	kg	1,3	1,6	1,6

Valor cuadrático medio ponderado en frecuencia de la aceleración según EN50636-2-91:2014:  
= 7,2 m/s<sup>2</sup> , incertidumbre (K) = 1,5 m/s<sup>2</sup>.

LPA (potencia acústica) 80 dB(A)  
incertidumbre (K) =1,1 dB (A)

**Declaración de conformidad de la CE  
DIRECTIVA DE MAQUINARIAS  
DIRECTIVA SOBRE LA EMISIÓN DE RUIDO EN  
EXTERIORES**



**Cortadora - GL250, GL310, GL360**

BLACK+DECKER declara que los productos descritos en "datos técnicos" cumplen las siguientes normas:  
2006/42/CE, EN60335-1:2012 + A11:2014 + A13:2017 + A1:2019 + A14:2019 + A2:2019, EN50636-2-91:2014.  
2000/14/CE, Cortabordes, L < 50 cm, Anexo VI, DEKRA Testing and Certification GmbH, Handwerkstraße 15, 70565 Stuttgart  
Ubicación del organismo de certificación:  
Dinnendahlstr. 9, 44809 Bochum, Alemania  
Organismo notificado n.º: 0158  
L<sub>WA</sub> (nivel de potencia acústica medido) 93 dB(A)  
incertidumbre (K) = 2,8 dB(A),  
L<sub>WA</sub> (potencia acústica garantizada) 96 dB(A)  
Estos productos también son conformes a la Directiva 2014/30/UE y 2011/65/UE.



Si desea más información, póngase en contacto con BLACK+DECKER en la dirección indicada a continuación o bien consulte la parte posterior de este manual.

El abajo firmante es el responsable de la elaboración de la documentación técnica y expide la presente declaración en nombre y representación de BLACK+DECKER.



Patrick Diepenbach  
Director General, Benelux  
BLACK+DECKER,  
Egide Walschaertsstraat 14 -18  
2800 Malinas, Bélgica  
15.06.2021

## Garantía

BLACK+DECKER confía plenamente en la calidad de sus productos y ofrece una garantía extraordinaria. Esta declaración de garantía es un añadido, y en ningún caso un perjuicio para sus derechos legales. La garantía es válida dentro de los territorios de los Estados miembros de la Unión Europea y de los de la Zona Europea de Libre Comercio.

Si un producto BLACK+DECKER resultara defectuoso debido a materiales o mano de obra defectuosos o a la falta de conformidad, BLACK+DECKER garantiza, dentro de los 24 meses de la fecha de compra, la sustitución de las piezas defectuosas, la reparación de los productos sujetos a un desgaste y rotura razonables o la sustitución de tales productos para garantizar al cliente el mínimo de inconvenientes, a menos que:

- El producto se ha utilizado con propósitos comerciales, profesionales o de alquiler.
- El producto se ha sometido a un uso inadecuado o negligente.
- El producto ha sufrido daños causados por objetos o sustancias extrañas o accidentes.
- Se hayan realizado reparaciones por parte de personas que no sean del servicio técnico autorizado o personal de servicios de BLACK+DECKER.

Para reclamar en garantía, será necesario que presente la prueba de compra al vendedor o al agente de servicio técnico autorizado. Puede consultar la dirección de su agente de servicio técnico más cercano si se pone en contacto con la oficina local de BLACK+DECKER en la dirección que se indica en este manual. Como alternativa, puede consultar la lista de servicios técnicos autorizados de BLACK+DECKER y obtener la información completa de nuestros servicios de posventa y contactos en la siguiente dirección de Internet:

**[www.2helpU.com](http://www.2helpU.com)**.

Visite el sitio web **[www.blackanddecker.eu](http://www.blackanddecker.eu)** para registrar su nuevo producto BLACK+DECKER y estar al día sobre productos y ofertas especiales. Encontrará más información acerca de la marca BLACK+DECKER y de la gama de productos que ofrece en la dirección **[www.blackanddecker.eu](http://www.blackanddecker.eu)**.

# TRIMMER

## GL250, GL310, GL360

### Utilização Prevista

O cortador BLACK+DECKER™ GL250, GL310, GL360 foi concebido para aparar as extremidades dos relvados e para cortar relva em espaços exiguos. Este aparelho destina-se apenas a utilização doméstica.

### INSTRUÇÕES DE SEGURANÇA

**▲ ATENÇÃO!** Ao utilizar aparelhos eléctricos, deve sempre cumprir medidas de segurança básicas, incluindo as que se seguem, de modo a reduzir os riscos de incêndio, choque eléctrico e ferimentos.

**▲ ATENÇÃO!** Ao utilizar a máquina, terá de seguir as regras de segurança. Para sua segurança e das outras pessoas, leia estas instruções antes de utilizar a máquina. Mantenha as instruções em local seguro para futuras consultas.

- Leia com atenção todo o manual antes de utilizar o aparelho.
- A utilização prevista para este aparelho está descrita no manual. A utilização de qualquer acessório ou a realização de qualquer operação com este aparelho que não se inclua no presente manual de instruções poderá representar um risco de ferimentos pessoais.
- Conserve este manual para referência futura.

### Utilização do aparelho

Tenha sempre cuidado quando utilizar este aparelho.

- Utilize sempre óculos ou viseiras de protecção.
- Nunca deixe crianças ou pessoas que não estejam familiarizadas com estas instruções utilizar este aparelho.
- Não deixe crianças ou animais aproximarem-se da área de trabalho ou tocarem no aparelho ou no cabo de alimentação.
- É necessária uma supervisão atenta quando o aparelho está a ser utilizado próximo de crianças.
- Este aparelho não deve ser utilizado por jovens ou pessoas doentes sem supervisão.
- Este aparelho não deve ser utilizado como um brinquedo.
- Utilize apenas o aparelho à luz do dia ou com uma boa luz artificial.
- Utilize-o apenas num local seco. Não deixe molhar o aparelho.
- Não mergulhe o aparelho em água.
- Não abra a estrutura do aparelho. Não existem peças para manipulação pelo utilizador no interior.
- Não utilize o equipamento em áreas com risco de explosão, nas quais se encontrem líquidos, gases ou poeiras inflamáveis.
- Para reduzir o risco de danos nas fichas e cabos, nunca puxe o cabo para remover a ficha de uma tomada.

### Segurança de terceiros

- Este aparelho pode ser utilizado por crianças a partir dos 8 anos de idade e por pessoas com capacidades físicas, sensitivas ou mentais reduzidas ou com falta de experiência e conhecimento. Desde que tenham recebido supervisão ou instruções em relação à utilização do aparelho de forma segura e entendam os perigos envolvidos.
- As crianças não deverão mexer no aparelho. A limpeza e manutenção não deverão ser efectuadas por crianças sem supervisão.

### Riscos residuais

Podem surgir riscos residuais adicionais durante a utilização da ferramenta que poderão não constar nos avisos de segurança incluídos. Estes riscos podem resultar de má utilização, uso prolongado, etc.

Mesmo com a aplicação dos regulamentos de segurança relevantes e com a implementação de dispositivos de segurança, alguns riscos residuais não podem ser evitados. Incluem:

- ferimentos causados pelo contacto com peças em rotação/movimento.
- ferimentos causados durante a troca de peças, lâminas ou acessórios.
- ferimentos causados pela utilização prolongada de uma ferramenta. Quando utilizar uma ferramenta por períodos prolongados, faça intervalos regulares.
- Diminuição da audição.
- Problemas de saúde causados pela inalação de poeiras resultantes da utilização da ferramenta (exemplo: trabalhos em madeira, especialmente carvalho, faia e MDF).

### Após a utilização

- Quando não for utilizado, o aparelho deve ser guardado num local seco e com boa ventilação, fora do alcance das crianças.
- As crianças não devem ter acesso a aparelhos armazenados.
- Quando o aparelho for guardado ou transportado num veículo, deverá ser colocado na bagageira ou fixo de forma a evitar o movimento devido a alterações súbitas na velocidade ou direcção.

### Inspeção e reparações

- Antes da utilização, verifique a existência de peças danificadas ou avariadas no aparelho. Verifique se existem peças partidas e quaisquer outras situações que possam afectar o bom funcionamento.
- Não utilize este aparelho se alguma das suas peças estiver danificada ou avariada.
- Mandar reparar ou substituir quaisquer peças danificadas ou avariadas por um agente de reparação autorizado.
- Nunca tente retirar ou substituir quaisquer peças que não as especificadas neste manual.

### Utilizar um cabo de extensão

Utilize sempre um cabo de extensão aprovado e adequado para a potência deste aparelho (ver **dados técnicos**). O cabo de extensão deve ser adequado para utilização ao ar livre e marcado em conformidade. Poderá utilizar um cabo de extensão HO5VV-F de 1,5 mm<sup>2</sup> com uma extensão máxima 30 m, sem redução do desempenho do aparelho. Antes da utilização, verifique se o cabo de extensão apresenta sinais de envelhecimento, danos ou desgaste. Substitua o cabo de extensão se este se encontrar danificado ou avariado. Quando utilizar um enrolador de cabo, desenrole sempre o cabo completo.

### Instruções de segurança adicionais para cortadores de relva

**▲ ATENÇÃO!** Os elementos de corte continuarão a rodar após o motor ter sido desligado.

- Familiarize-se com os controlos e a utilização adequada da máquina.
- Antes da utilização, verifique se o cabo de alimentação e a extensão eléctrica apresentam sinais de corrosão, danos ou desgaste. Se um cabo se danificar durante a utilização, desligue de imediato o aparelho da fonte de alimentação eléctrica. **NÃO TOQUE NO CABO DE ALIMENTAÇÃO ANTES DE DESLIGAR A FONTE DE ALIMENTAÇÃO ELÉCTRICA.**
- Não utilize o aparelho se os cabos se encontrarem danificados ou apresentarem desgaste.
- Use botas ou sapatos reforçados para proteger os pés.
- Use calças compridas para proteger as pernas.
- Antes de utilizar o aparelho, verifique se o percurso de corte não tem paus, pedras, cabos e outros obstáculos.
- Utilize sempre o aparelho na posição vertical, com a linha de corte junto ao chão. Nunca ligue o aparelho noutra posição.
- Ao utilizar o aparelho, desloque-se lentamente. A relva acabada de cortar está molhada e escorregadia.
- Não trabalhe em declives. Trabalhe ao longo dos declives, e nunca em sentido ascendente ou descendente.
- Nunca atravesse caminhos de gravilha ou estradas com o aparelho em funcionamento.
- Nunca toque na linha de corte com o aparelho em funcionamento.
- Não pouse o aparelho até a linha de corte parar completamente.
- Utilize sempre o tipo adequado de linha de corte. Nunca utilize linhas de corte metálicas nem linha de pesca.
- Tenha cuidado para não tocar na lâmina da linha de corte.
- Certifique-se sempre de que o cabo de alimentação se encontra afastado da linha de corte. Tenha sempre presente a posição do cabo.
- Mantenha sempre as mãos e os pés afastados da linha de corte, especialmente ao ligar o motor.
- Antes de utilizar o aparelho e depois de qualquer impacto, procure sinais de desgaste ou peças danificadas e repare-as conforme necessário.
- Nunca utilize o aparelho com protecções danificadas ou sem protecções.
- Tenha cuidado para que nenhum dispositivo montado no aparelho corte o filamento da linha. Depois de estender uma nova linha de corte, volte sempre a colocar a máquina na posição normal de funcionamento antes de a ligar.
- Certifique-se sempre de que as ranhuras de ventilação se encontram livres de detritos.
- Não utilize o cortador de relvados (cortador de extremidades) se os cabos se encontrarem danificados ou apresentarem sinais de desgaste.
- Mantenha os cabos de extensão afastados dos elementos de corte.

## Rótulos do aparelho

A ferramenta apresenta os seguintes símbolos de aviso juntamente com o código de data:



Antes de utilizar o aparelho, leia o manual.



Utilize óculos ou viseiras de protecção quando utilizar este aparelho.



Utilize protecções auditivas adequadas ao utilizar o aparelho.



Remova sempre a ficha da tomada antes de inspecionar o cabo danificado. Tenha o cuidado de não utilizar o cortador caso o cabo se encontre danificado.



Esteja atento à projecção de objectos. Mantenha as pessoas afastadas da área de corte.



Não exponha o aparelho à chuva ou humidade elevada.



Potência sonora garantida pela Directiva 2000/14/CE.

## Segurança eléctrica



Este aparelho tem um isolamento duplo e, por isso, não é necessário um fio de terra. Verifique sempre se a fonte de alimentação corresponde à tensão indicada na placa de especificações.

- Se o cabo de alimentação estiver danificado, terá de ser substituído pelo fabricante ou por um centro de assistência autorizado BLACK+DECKER para evitar acidentes.
- A segurança eléctrica pode ser melhorada mediante a utilização de um Dispositivo de Corrente Residual (RCD) de alta sensibilidade (30 mA).

## Características

Este aparelho inclui algumas ou todas as seguintes funções:

- 1 Interruptor para ligar/desligar
- 2 Manípulo
- 3 Grampo de cabo
- 4 Entrada de potência
- 5 Manípulo secundário
- 6 Protecção
- 7 Lâmina da linha de corte
- 8 Linha de corte
- 9 Compartimento do cilindro
- 10 Cabeça

## MONTAGEM

**▲ ATENÇÃO!** Antes da montagem, certifique-se de que a ferramenta está desligada e que não está ligada à corrente eléctrica.

### Montagem do manípulo secundário (Fig. B) apenas GL310 e GL360

- Faça deslizar o manípulo secundário **5** em direcção ao manípulo principal **2** no sentido vertical.

- Prenda o manípulo secundário na respectiva posição com os dois parafusos **19** fornecidos.

### Fixação da protecção (Fig. C)

- Coloque a protecção na ferramenta, conforme mostrado.
- Prima a protecção **6** com firmeza até encaixar na respectiva posição.
- Fixe a protecção com o parafuso **11**.

**▲ ATENÇÃO!** Nunca utilize a ferramenta sem que a protecção se encontre correctamente montada.

### Libertação da linha de corte

Durante o transporte, a linha de corte encontra-se colada com fita adesiva ao compartimento do cilindro.

- Remova a fita adesiva que prende a linha de corte **8** ao compartimento do cilindro **9**.

### Ligação da ferramenta à corrente eléctrica (Fig. D)

- Ligue a ficha fêmea de um cabo de extensão adequado à entrada de potência **4**.
- Enrole o cabo no grampo de cabo **3**.
- Introduza o cabo de alimentação na tomada eléctrica.

Para unidades com cabo: Antes de ligar a ficha à tomada eléctrica, certifique-se de que o cabo está enrolado no grampo de cabo.

**▲ ATENÇÃO!** O cabo de extensão deve ser adequado para utilização ao ar livre.

### UTILIZAÇÃO

**▲ ATENÇÃO!** Deixe a ferramenta funcionar ao seu próprio ritmo. Não a sobrecarregue.

### Ligar e desligar (Fig. A)

- Para ligar a ferramenta, prima a alavanca do gatilho **1**.
- Para desligar o aparelho, solte a alavanca do gatilho.

**▲ ATENÇÃO!** Nunca tente bloquear a alavanca do gatilho na posição de ligado.

### SUGESTÕES PARA UMA UTILIZAÇÃO IDEAL

#### Generais

- Para obter os melhores resultados de corte, corte apenas relva seca.

#### Podar (Fig. E)

- Segure na ferramenta conforme indicado na Fig. E.
- Faça oscilar suavemente o cortador de um lado para o outro.
- Ao cortar relva crescida, trabalhe por fases a partir do topo. Efectue pequenos cortes.
- Mantenha a ferramenta afastada dos objectos duros e plantas delicadas.
- A linha de corte apresentará um desgaste mais rápido e necessitará de ser substituída se o corte for efectuado ao longo de passeios ou outras superfícies abrasivas ou se cortar ervas mais duras.
- Ao utilizar o cortador, o comprimento da corda diminuirá com o desgaste. Bata suavemente com a unidade em funcionamento no chão para alimentar a linha.
- Se a ferramenta perder velocidade, reduza a carga.

### Montagem de um novo cilindro de linha de corte (Fig. A, F, G)

Os cilindros de linha de corte sobressalentes encontram-se disponíveis no seu revendedor BLACK+DECKER (cat. nº. A6226).

- Mantenha as patilhas **12** premidas e remova a tampa do cilindro **13** do compartimento **9**.
- Remova o cilindro vazio **14** do compartimento do cilindro.
- Remova a erva e poeiras da tampa do cilindro e do compartimento.
- Pegue no novo cilindro e desenrole aproximadamente 10 cm de linha de corte.
- Carregue a linha de corte através do ilhó **15**.
- Empurre o cilindro para o eixo de transmissão **16** e rode-o ligeiramente até encaixar. Certifique-se de que a linha de corte não fica presa sob o cilindro e de que 10 cm de linha de corte saem do compartimento.
- Alinhe as patilhas **12** da tampa do cilindro com os orifícios do compartimento **15**.
- Empurre a tampa em direcção ao compartimento até encaixar de forma firme na posição respectiva.

**▲ ATENÇÃO!** Se a linha de corte ultrapassar a lâmina de corte **7**, corte-a para que chegue apenas até à lâmina.

### Enrolar uma nova linha de corte num cilindro vazio (Fig. H–J)

Poderá enrolar uma nova linha de corte num cilindro vazio.

Os pacotes sobressalentes de linha de corte encontram-se disponíveis no seu revendedor BLACK+DECKER [cat. nº. A6170 (25 m), A6046 (37,5 m) e A6171 (40 m)].

- Remova o cilindro vazio da ferramenta, conforme descrito acima.
- Remova do cilindro a linha de corte que eventualmente sobrar.
- Carregue 2 cm de linha de corte através de um dos orifícios **17** do cilindro, conforme apresentado.
- Enrole a linha de corte no cilindro, no sentido da seta **18**. Certifique-se de que enrola a linha de forma ordenada, por camadas. Não cruze a linha.
- Deixe a linha sair aproximadamente 10 cm do cilindro e segure-a com um dedo para a manter no lugar.
- Prossiga conforme descrito acima para montar o cilindro na ferramenta.

**▲ ATENÇÃO!** Utilize sempre o tipo de linha de corte BLACK+DECKER adequado.

### Substituição da ficha de alimentação (apenas Reino Unido e Irlanda)

Se for necessário encaixar uma nova ficha de alimentação:

- Elimine com segurança a ficha antiga.
- Ligue o cabo castanho ao terminal activo na nova ficha.
- Ligue o cabo azul ao terminal neutro.

**▲ ATENÇÃO!** Não é necessário efectuar qualquer ligação ao terminal de terra. Siga as instruções de montagem fornecidas com fichas de boa qualidade. Fusível recomendado: 5 A.

### RESOLUÇÃO DE PROBLEMAS

Se achar que a sua ferramenta não está a funcionar correctamente, siga as instruções abaixo. Se não conseguir resolver o problema, contacte o agente de reparação BLACK+DECKER local.

**▲ ATENÇÃO!** Antes de continuar, desligue a ferramenta.

#### A ferramenta está lenta

- Verifique se o compartimento do cilindro pode rodar livremente. Se necessário, limpe-o cuidadosamente.

- Certifique-se de que não saem do compartimento do cilindro mais de 11 cm da linha de corte. Caso contrário, corte-a para que chegue apenas até à lâmina da linha de corte.

### Se a alimentação do batente não funcionar

- Mantenha as patilhas premidas e remova a tampa do cilindro do compartimento.
- Puxe a linha de corte até que saiam 11 cm do compartimento. Se a linha de corte restante no cilindro for insuficiente, instale um novo cilindro de linha de corte conforme explicado acima.
- Alinhe as patilhas da tampa do cilindro com os recortes do compartimento.
- Empurre a tampa em direcção ao compartimento até encaixar de forma firme na posição respectiva.
- Se a linha de corte ultrapassar a lâmina de corte, corte-a para que chegue apenas até à lâmina.
- Se a alimentação do batente ainda não funcionar ou o cilindro estiver encravado, experimente as seguintes sugestões:
  - Limpe cuidadosamente a tampa do cilindro e o compartimento.
  - Remova o cilindro e verifique se a mola se encontra na respectiva posição.
  - Remova o cilindro e desenrole a linha de corte. Em seguida volte a enrolá-la de forma ordenada, conforme descrito acima. Substitua o cilindro seguindo as instruções.

### MANUTENÇÃO

O seu aparelho/ferramenta BLACK+DECKER com/sem fios foi concebido para funcionar durante um longo período de tempo com um mínimo de manutenção. O funcionamento contínuo e satisfatório depende de uma manutenção adequada e limpeza regular da ferramenta/aparelho.

**▲ ATENÇÃO!** Antes de proceder a qualquer acção de manutenção em ferramentas eléctricas com/sem fios:

- Desligue o aparelho/ferramenta e retire a respectiva ficha da tomada.
- Ou desligue e remova a pilha do aparelho/ferramenta caso o aparelho/ferramenta tenha uma bateria individual.
- Ou deixe a pilha descarregar completamente se estiver incorporada e, em seguida, desligue-a.
- Desligue o carregador antes de o limpar. O seu carregador não necessita de manutenção para além da limpeza regular.
- Limpe regularmente as ranhuras de ventilação da ferramenta/aparelho e do carregador com uma escova suave ou um pano seco.
- Limpe regularmente o compartimento do motor com um pano húmido. Não utilize produtos de limpeza abrasivos ou à base de solventes.

### Protecção do ambiente



Recolha separada. Este produto não pode ser eliminado juntamente com os resíduos domésticos normais.

Se, em algum momento, for necessário substituir este produto BLACK+DECKER ou se este deixar de ter utilidade, não elimine o produto num caixote do lixo. Este produto pode ser separado para reciclagem.



A recolha separada de produtos e embalagens usados permite que os materiais sejam reciclados e reutilizados.

A reutilização de materiais reciclados ajuda a evitar a poluição ambiental e reduz a procura de matérias-primas.

A legislação local poderá prever a recolha separada de produtos domésticos eléctricos, seja em lixeiras municipais ou através do revendedor quando adquire um produto novo.

A BLACK+DECKER dispõe de instalações para recolha e reciclagem de produtos BLACK+DECKER quando estes atingem o fim da vida útil. Para usufruir deste serviço, devolva o produto em qualquer agente de reparação autorizado, que os recolherá em seu nome.

Pode verificar a localização do agente de reparação autorizado mais perto de si, contactando os escritórios locais da BLACK+DECKER através do endereço indicado neste manual. Se preferir, pode encontrar na Internet uma lista de agentes de reparação autorizados BLACK+DECKER, detalhes completos e contactos do serviço pós-venda, no endereço:

[www.2helpU.com](http://www.2helpU.com).

### Dados técnicos

		GL250 Tipo 1	GL310 Tipo 1	GL360 Tipo 1
Tensão de Entrada	V <sub>CA</sub>	230	230	230
Potência Utilizada	W	250	300	350
Velocidade Sem Carga	min <sup>-1</sup>	11500	11500	11500
Peso	kg	1,3	1,6	1,6

Valor ponderado da vibração da mão/braço, de acordo com a norma EN50636-2-91:2014:

$$= 7,2 \text{ m/s}^2, \text{ imprecisão (K)} = 1,5 \text{ m/s}^2.$$

L<sub>PA</sub> (potência sonora) 80 dB(A)  
imprecisão (K) = 1,1 dB(A)

**Declaração de conformidade CE  
DIRECTIVA PARA MÁQUINAS  
DIRECTIVA DE RUÍDO AMBIENTE**



### GL250, GL310, GL360 - Cortador

A BLACK+DECKER declara que os produtos descritos nos "dados técnicos" estão em conformidade com:

2006/42/CE, EN60335-1:2012 + A11:2014 + A13:2017 + A1:2019 + A14:2019 + A2:2019, EN50636-2-91:2014.

2000/14/CE, Cortador, L < 50cm, Anexo VI,  
DEKRA Testing and Certification GmbH,  
Handwerkstraße 15, 70565, Estugarda  
Location Certification Body,

Dinnendahlstr. 9, 44809 Bochum, Alemanha  
N.º do organismo notificado: 0158

L<sub>WA</sub> (nível de potência sonora medida) 93 dB(A)  
imprecisão (K) = 2,8 dB (A)

L<sub>WA</sub> (potência sonora garantida) 96 dB(A)

Além disso, estes produtos também se encontram em conformidade com a Directiva 2014/30/UE e 2011/65/UE.

Para obter mais informações, contacte a BLACK+DECKER através da morada indicada em seguida ou consulte o verso do manual.

O abaixo assinado é responsável pela compilação do ficheiro técnico e faz esta declaração em nome da BLACK+DECKER.



Patrick Diepenbach  
Director General, Benelux  
BLACK+DECKER,  
Egide Walschaertsstraat 14 -18  
2800 Malinas, Bélgica  
15.06.2021

### **Garantia**

A BLACK+DECKER confia na qualidade dos seus produtos e oferece uma garantia excelente. Esta declaração de garantia é um complemento dos seus direitos estabelecidos por lei, não os prejudicando de forma alguma. A garantia é válida nos territórios dos Estados Membros da União Europeia e da Associação Europeia de Comércio Livre.

Se um produto BLACK+DECKER avariar devido a defeitos de material, fabrico ou não conformidade, num período de 24 meses após a data da compra, a BLACK+DECKER garante a substituição das peças defeituosas, a reparação de produtos sujeitos a um desgaste aceitável ou a substituição dos mesmos para garantir o mínimo de inconvenientes ao cliente, excepto se:

- o produto tiver sido utilizado para fins comerciais, profissionais ou de aluguer;
- o produto tiver sido submetido a utilização indevida ou negligência;
- o produto tiver sido danificado por objectos ou substâncias estranhos, bem como acidentes;
- tiverem sido tentadas reparações por pessoas que não sejam agentes de reparação autorizados ou técnicos de manutenção da BLACK+DECKER.

Para accionar a garantia, terá de apresentar comprovativos de compra ao vendedor ou a um agente de reparação autorizado. Pode verificar a localização do agente de reparação autorizado mais perto de si, contactando os escritórios locais da Black & Decker através do endereço indicado neste manual. Se preferir, está disponível na Internet uma lista de agentes de reparação autorizados Black & Decker, com os contactos e detalhes completos do serviço pós-venda, no endereço:

**[www.2helpU.com](http://www.2helpU.com)**

Visite o nosso website **[www.blackanddecker.eu](http://www.blackanddecker.eu)** para registar o novo produto BLACK+DECKER e manter-se actualizado relativamente a novos produtos e ofertas especiais. Pode encontrar mais informações sobre a marca BLACK+DECKER e sobre a nossa gama de produtos em **[www.blackanddecker.eu](http://www.blackanddecker.eu)**.

# TRIMMER

## GL250, GL310, GL360

### Användningsområde

O cortador BLACK+DECKER™ GL250, GL310, GL360 foi concebido para aparar as extremidades dos relvados e para cortar relva em espaços exíguos. Este aparelho destina-se apenas a utilização doméstica.

### SÄKERHETSFORESKRIFTER

**▲ VARNING!** Vid användning av nätdrivna redskap ska grundläggande säkerhetsföreskrifter, inklusive följande föreskrifter, alltid följas. Detta för att förhindra brand, stöt, personskador och materialskador.

**▲ VARNING!** Vid användning av maskinen ska säkerhetsföreskrifterna följas. För din egen och närvarande personers säkerhet bör du läsa dessa instruktioner innan du använder maskinen. Spara instruktionerna för senare bruk.

- Läs hela den här bruksanvisningen noggrant innan du börjar använda redskapet.

- Användningsområdet beskrivs i den här bruksanvisningen. Använd inte apparaten med andra tillbehör än de som rekommenderas i den här bruksanvisningen och inte heller till andra användningsområden eftersom det kan leda till personskador.

- Behåll den här bruksanvisningen för framtida referens.

### Använda redskapet

Var alltid försiktig när du använder redskapet.

- Använd alltid säkerhetsglasögon eller skyddsglasögon.
- Låt aldrig barn eller personer som inte har läst instruktionerna använda redskapet.

- Låt inte barn eller djur komma i närheten av arbetsområdet. Låt dem inte heller röra vid redskapet eller elsladden.

- Om det finns barn i närheten när du använder redskapet ska du övervaka dem noga.

- Redskapet är inte avsett att användas av unga eller oerfarna personer utan övervakning.

- Detta redskap ska inte användas som leksak.

- Använd endast redskapet i dagsljus eller i tillräcklig artificiell belysning.

- Använd den endast på torra ställen. Skydda redskapet från väta.

- Doppa aldrig redskapet i vatten.

- Öppna inte höljet. Det finns inga delar inuti som kan repareras.

- För att undvika explosionsrisk bör du inte använda redskapet i omgivningar med brandfarliga vätskor, gaser eller damm.

- Dra aldrig i sladden när du vill ta ut kontakten ur uttaget. Detta för att minska risken för skador på kontakter och sladdar.

### Andras säkerhet

- Apparaten kan användas av barn från åtta år och personer med nedsatt fysisk eller psykisk förmåga eller bristande erfarenhet eller kunskap. Om de får lämplig vägledning i hur apparaten ska användas på ett säkert sätt och är medvetna om riskerna.

- Barn ska inte leka med apparaten. Rengöring och användarunderhåll ska inte utföras av barn utan övervakning.

### Övriga risker

Ytterligare risker som inte finns med i de bifogade säkerhetsföreskrifterna kan uppstå när verktyget används. Dessa risker kan uppstå vid felaktig användning, långvarig användning, o.s.v.

Även om alla relevanta säkerhetsföreskrifter följs och säkerhetsanordningar används kan vissa ytterligare risker inte undvikas. Dessa innefattar:

- Skador orsakade av att roterande/rörliga delar vidrörs.
- Skador som uppstår vid byte av delar, blad eller tillbehör.
- Skador som orsakas av långvarig användning av ett verktyg. Se till att ta regelbundna raster när du använder ett verktyg under en längre period.
- Skador på hörseln.
- Hälsorisker orsakade av inandning av damm när redskapet används (exempel: arbete med trä, särskilt ek, bok och MDF).

### Efter användning

- När det inte används bör redskapet förvaras utom räckhåll för barn på en torr plats med god ventilation.
- Placera redskapet på ett ställe där barn inte kan komma åt det.
- När redskapet förvaras eller transporteras i en bil ska det placeras i bagageutrymmet eller spännas fast så att det inte rör sig vid plötsliga ändringar av hastighet eller riktning.

### Kontroll och reparationer

- Kontrollera att redskapet är hel och att den inte innehåller några skadade delar innan du använder den. Kontrollera att inga delar är trasiga och att inget annat föreligger som kan påverka redskapets funktion.
- Använd inte redskapet om någon del har skadats eller gått sönder.
- Reparera eller byt ut skadade eller trasiga delar på en auktoriserad verkstad.
- Försök aldrig ta bort eller byta ut andra delar än de som anges i den här bruksanvisningen.

### Använda förlängningssladd

Använd alltid en godkänd förlängningssladd som klarar redskapets ineffekt (se **Tekniska data**). Förlängningssladden måste vara lämplig för utomhusbruk och märkt därefter. Det går att använda en 1,5 mm<sup>2</sup> HO5VV-F-förlängningssladd som är upp till 30 m lång utan spänningsförlust. Innan du använder sladden kontrollerar du att den inte är skadad, sliten eller nött. Byt ut förlängningssladden om den är skadad eller defekt. När du använder en sladdvinda ska du alltid dra ut hela sladden.

### Ytterligare säkerhetsanvisningar för grästrimmer

**▲ VARNING!** Skärande delar fortsätter att rotera en kort stund efter att du har stängt av motorn.

- Bekanta dig med reglagen och ta reda på hur redskapet ska användas.
- Före användning kontrollerar du om elsladden och förlängningssladden visar tecken på skador, åldrande eller slitage. Om en sladd skadas när du använder redskapet kopplar du omedelbart bort sladden från elnätet. RÖR INTE VID SLADDEN FÖRE DU DRAGIT UT DEN UR UTTAGET.
- Använd inte redskapet om sladdarna är skadade eller utslitna.

- Bär kraftiga skor eller stövlar för att skydda dina fötter.
- Bär långbyxor för att skydda dina ben.
- Innan du använder redskapet ska du se till att det område som ska trimmas är fritt från grenar, stenar, ledningar och andra hinder.
- Använd endast redskapet i upprätt position med skärlinan nära marken. Slå aldrig på redskapets strömbrytare i något annat läge.
- Rör dig långsamt när du använder redskapet. Tänk på att nyklippt gräs är fuktigt och halt.
- Använd inte redskapet på branta sluttningar. Arbeta tvärs över sluttningar, inte upp och ner.
- Korsa inte grusgångar eller vägar medan redskapet är i drift.
- Vidrör aldrig skärlinan när redskapet används.
- Sätt inte ner redskapet förrän skärlinan har slutat rotera helt.
- Använd endast rätt sorts skärlina. Använd aldrig skärlina i metall eller fiskelina.
- Var noggrann med att aldrig röra vid skärbladet.
- Var noga med att hålla sladden borta från skärlinan. Håll hela tiden reda på var sladden befinner sig.
- Håll alltid händer och fötter borta från skärlinan, särskilt då motorn startas.
- Innan du använder redskapet, och efter alla sorters stötar, bör du undersöka den efter tecken på slitage eller skada och reparera på lämpligt vis.
- Använd inte redskapet med skadade skydd eller utan skydden på plats.
- Var försiktig så att du inte skadas av anordningar för justering av fiberlinans längd. Efter att ha dragit ut ny skärlina ska du alltid placera maskinen i normalt driftsläge innan den startas.
- Kontrollera alltid att ventilationsöppningarna hålls fria från skräp.
- Använd inte grästrimmern (kanttrimmern) om sladdarna är skadade eller utslitna.
- Håll förlängningssladdar borta från skärande delar.

## Etiketter på redskapet

Följande varningssymboler finns på verktyget, tillsammans med datumkoden:



Läs bruksanvisningen innan du använder redskapet.



Bär alltid skyddsglasögon när du använder redskapet.



Bär lämpliga hörselskydd när du använder redskapet.



Dra alltid ur kontakten ur eluttaget innan du undersöker en skadad sladd. Använd aldrig trimmern om sladden är skadad.



Se upp för flygande föremål. Håll andra personer borta från trimmerns arbetsområde.



Låt inte apparaten komma i kontakt med regn eller hög luftfuktighet.



Garanterad ljudnivå enligt direktiv 2000/14/EG.

## Elsäkerhet



Eftersom redskapet är dubbelisolerat behövs ingen jordledare. Kontrollera alltid att nätspänningen överensstämmer med värdet på typskylten.

- Om nätsladden är skadad måste den bytas ut av tillverkaren eller en auktoriserad BLACK+DECKER-verkstad för att undvika farliga situationer.
- Elsäkerheten kan förbättras ytterligare genom att man använder en jordfelsbrytare med hög känslighet (30 mA).

## Funktioner

Detta redskap har några eller samtliga av följande funktioner.

- 1 Strömbrytare
- 2 Handtag
- 3 Sladdhållare
- 4 Eluttag
- 5 Extrahandtag
- 6 Skydd
- 7 Skärblad
- 8 Skärlina
- 9 Spolhölje
- 10 Huvud

## MONTERING

**▲ VARNING!** Se till att redskapet är avstängt samt att det inte är anslutet innan monteringen börjar.

### Sätta fast handtaget på redskapet (Bild [Fig.] B)

#### Endast GL310 & GL360

- Skjut över extrahandtaget **5** på huvudhandtaget **2** i uppåtgående riktning.
- Fäst extrahandtaget med de två medföljande skruvarna **19**.

### Montera skyddet (Bild C)

- Montera skyddet på redskapet enligt bilden.
- Tryck på skyddet **6** tills det klickar på plats.
- Fäst skyddet med skruven **11**.

**▲ VARNING!** Använd aldrig redskapet om inte skyddet är ordentligt monterat.

### Lossa skärlinan

Under transport är skärlinan fäst vid spolhöljet.

- Lossa på tejen över skärlinan **8** på spolhöljet **9**.

### Ansluta redskapet till elnätet (Bild D)

- Anslut honkontakten på en lämplig förlängningskabel till eluttaget **4**.
- Dra sladden genom sladdhållaren **3**.
- Anslut nätsladden till eluttaget.

För trådbundna kabelsatser: Kontrollera att sladden är dragen genom sladdhållaren innan du ansluter kontakten till eluttaget.



**⚠ VARNING!** Förlängningssladden måste vara lämpad för utomhusbruk.

## ANVÄNDNING

**⚠ VARNING!** Låt redskapet arbeta i sin egen takt. Överbelasta det inte.

### Slå på och av (Bild A)

- Starta redskapet genom att krama strömbrytarhandtaget ①.
- Stäng av redskapet genom att släppa upp handtaget.

**⚠ VARNING!** Försök aldrig låsa strömbrytarhandtaget i påslaget läge.

## RÅD FÖR OPTIMAL ANVÄNDNING

### Allmänt

- Resultatet blir bäst om gräset är torrt vid klipptillfället.

### Trimming (Bild E)

- Håll redskap som bilden visar (Bild E).
- Pendla försiktigt med redskapet från sida till sida.
- När långt gräs ska trimmas, arbeta i stadier från toppen och nedåt. Klipp lite åt gången.
- Undvik att gå nära hårda föremål och känsliga växter.
- Skärllinan slits fortare och kräver mer utmatning om trimningen sker längs stenläggningar eller andra sträva ytor eller om starkare växter trimmas.
- Linan kommer att nötas av i takt med att du använder trimmern. Stöt försiktigt till enheten på marken medan den är igång och linan förlänger sig.
- Om redskap börjar gå långsamt, minska belastningen.

### Montera en ny spole skärlina (Bild A, F, G)

- Spolar med skärlina finns att köpa hos din BLACK+DECKER-återförsäljare (katalognr. A6226).
- Håll låsspärrarna 12 nedtryckta och ta bort spohlöjet 13 från höljet 9.
- Ta bort den tomma spolen 14 från spohlöjet.
- Avlägsna all smuts och gräs från spohlöjet och kåpan.
- Rulla ut runt 10 cm skärlina från den nya spolen.
- Mata skärllinan genom ögat 15.
- Sätt spolen på den drivande skruven 16 och rotera den lätt tills den sitter stabil. Försäkra dig om att skärllinan inte fastnat under spolen och att 10 cm skärlina sticker ut ifrån kåpan.
- Placera låsspärrarna 12 på spohlöjet i linje med hålen i kåpan 15.
- Tryck ner skalet mot kåpan tills det klickar på plats ordentligt.

**⚠ VARNING!** Om skärllinan sticker ut längre än skärbladet 7 klipper du av den så att den bara når till bladet.

### Linda på en ny skärlina på en tom spole (Bild H–J)

Du kan linda på en ny skärlina på en tom spole.

Förpackningar med ersättande skärlina finns att köpa hos din återförsäljare av BLACK+DECKER [katalognr. A6170 (25 m), A6046 (37,5 m) & A6171 (40 m)].

- Ta loss den tomma spolen enligt beskrivningen ovan.
- Ta bort eventuell kvarvarande skärlina från spolen.
- Mata in 2 cm skärlina i ett av hålen 17 i spolen enligt bild.
- Linda skärllinan på spolen i riktning med pilen 18. Var noggrann med att linda på linan slätt och i lager. Linda inte i sicksack.
- Låt linan sticka ut runt 10 cm från spolen och håll ett finger på linan för att hålla den på plats.

- Fortsätt som tidigare beskrivet för att fästa spolen på redskapet.

**⚠ VARNING!** Använd endast rätt sorts skärlina från BLACK+DECKER.

### Byte av nätkontakt (endast Storbritannien och Irland)

Byt kontakten på följande sätt:

- Gör dig av med den gamla kontakten på lämpligt sätt.
- Anslut den bruna ledningen till den strömförande anslutningen i den nya kontakten.
- Anslut den blå ledningen till den icke strömförande anslutningen.

**⚠ VARNING!** Anslut inte till jordanslutningen. Följ monteringsanvisningarna som medföljer kontakter av god kvalitet. Rekommenderad säkring: 5 A.

## FELSÖKNING

Om produkten inte fungerar som den ska följer du instruktionerna nedan. Om det inte löser problemet kontaktar du närmaste BLACK+DECKER-verkstad.

**⚠ VARNING!** Dra ur kontakten till redskapet innan du fortsätter.

### Trimmern går långsamt

- Kontrollera att spohlöjet kan rotera fritt. Rengör det med försiktighet om nödvändigt.
- Kontrollera att skärllinan inte sticker ut mer än 11 cm från spohlöjet. Om den gör det, skär av den så att den bara når till skärbladet.

### Om stötmataren inte fungerar

- Håll låsspärrarna nedtryckta och avlägsna spohlöjet från höljet.
- Dra ut skärllinan tills den sticker ut 11 cm från höljet. Om spolen inte innehåller tillräckligt lång lina, installera en ny spole skärlina enligt ovanstående instruktioner.
- Placera låsspärrarna på spohlöjet i linje med hålen i kåpan.
- Tryck ner skalet mot kåpan tills det klickar på plats ordentligt.
- Om skärllinan sticker ut längre än skärbladet, klipp av den så att den bara når till bladet.

Om stötmataren fortfarande inte fungerar eller spolen sitter fast, prova följande förslag:

- Rengör spohlöjet och kåpan noggrant.
- Avlägsna spolen och kontrollera att fjädern är på plats.
- Ta loss spolen och linda upp skärllinan. Linda sedan på den ordentligt igen som beskrivet ovan. Ersätt spolen enligt instruktionerna.

## UNDERHÅLL

Det här BLACK+DECKER-redskapet (med eller utan sladd) är konstruerat för att fungera under lång tid med minsta möjliga underhåll. Med rätt underhåll och regelbunden rengöring behåller verktyget/redskapet sin kapacitet.

**⚠ VARNING!** Innan något underhåll utförs på elektriska redskap med eller utan sladd:

- Stäng av redskapet/verktyget och dra ur nätkontakten.
- Du kan också ta ut batteriet ur redskapet om redskapet har ett separat batteri.
- Om batteriet är inbyggt låter du det laddas ur helt innan avstängningen.
- Dra ur sladden till laddaren innan du rengör den. Laddaren behöver inget annat underhåll än regelbunden rengöring.

- Rengör regelbundet redskapets/verktygets/laddarens luftintag med en mjuk borste eller torr trasa.
- Rengör kåpan regelbundet med en fuktig trasa. Använd aldrig rengöringsmedel med lösnings- eller slipmedel.

### Skydda miljön



Separat insamling. Produkten får inte kastas i hushållssoporna.

Tänk på miljön när du slänger denna BLACK+DECKER-produkt. Släng den inte tillsammans med hushållsavfallet. Lämna produkten för separat insamling.



Insamling av uttjänta produkter och förpackningsmaterial gör att material kan återanvändas.

Användning av återvunnet material minskar föroreningar av miljön och behovet av råmaterial.

Lokala föreskrifter kan kräva separat insamling av elprodukter från hushållen, vid kommunala insamlingsplatser eller hos återförsäljaren när du köper en ny produkt.

BLACK+DECKER samlar in och återvinner uttjänta BLACK+DECKER-produkter. Om du vill utnyttja denna tjänst återlämnar du produkten till en auktoriserad verkstad, som samlar in den för vår räkning.

För information om närmaste auktoriserade verkstad, kontakta det lokala BLACK+DECKER-kontoret på den adress som är angiven i bruksanvisningen. En lista över alla auktoriserade verkstäder samt servicevillkor finns på Internet:

[www.2helpU.com](http://www.2helpU.com).

### Tekniska data

		GL250 Typ 1	GL310 Typ 1	GL360 Typ 1
Spänning	V <sub>KC</sub>	230	230	230
Ineffekt	W	250	300	350
Tomgångshastighet	min <sup>-1</sup>	11500	11500	11500
Vikt	kg	1,3	1,6	1,6

Det vägda geometriska medelvärdet av vibrationsfrekvensen enligt EN50636-2-91:2014:

$$= 7,2 \text{ m/s}^2, \text{ osäkerhet (K) = } 1,5 \text{ m/s}^2.$$

L<sub>PA</sub> (ljudnivå) 80 dB(A)

osäkerhet (K) = 1,1 dB(A)

### EG-deklaration om överensstämmelse

#### MASKINDIREKTIV

#### BULLERFÖRESKRIFTER, UTMHUS



GL250, GL310, GL360 - Cortador

2000/14/EG, Trådtrimmer, L < 50 cm, Annex VI,  
DEKRA Testing and Certification GmbH,  
Handwerkstraße 15, 70565 Stuttgart  
Location Certification Body,  
Dinnendahlstr. 9, 44809 Bochum, Tyskland  
Anmält organ nummer: 0158  
L<sub>WA</sub> (uppmätt ljudeffektnivå) 93 dB(A)  
Osäkerhet (K) = 2,8 dB(A)  
L<sub>WA</sub> (garanterad ljudnivå) 96 dB(A).

Dessa produkter uppfyller dessutom direktiven  
2014/30/EU och 2011/65/EU.

För mer information, var god kontakta BLACK+DECKER på följande adress, eller se handbokens baksida.

Undertecknad är ansvarig för sammanställning av den tekniska filen och gör denna förklaring på BLACK+DECKERS vägnar.

*Patrick Diepenbach*

Patrick Diepenbach  
General Manager, Benelux  
BLACK+DECKER,  
Egide Walschaertsstraat 14-18  
2800 Mechelen, Belgien  
15.06.2021

### Garanti

BLACK+DECKER garanterar att produkten är fri från material- och/eller fabriktionsfel vid leverans till kund. Garantin gäller utöver konsumentens rättigheter enligt lag och påverkar inte dessa. Garantin gäller inom medlemsstaterna i Europeiska Unionen och i det Europeiska Frihandelsområdet.

Om en BLACK+DECKER-produkt går sönder på grund av material- och/eller fabriktionsfel eller brister i överensstämmelse med specifikationen, inom 24 månader från köpet, åtar sig BLACK+DECKER att reparera eller byta ut produkten med minsta besvär för kunden, förutom om:

- Produkten har använts i kommersiellt eller yrkesmässigt syfte eller i uthyringssyfte.
- Produkten har utsatts för felaktig användning eller skötsel.
- Produkten har skadats av främmande föremål, ämnen eller genom olyckshändelse.
- Reparation har utförts av någon annan än en auktoriserad BLACK+DECKER-verkstad.

Vid garantianspråk ska produkten och inköpskvittot lämnas till återförsäljaren eller till en auktoriserad verkstad. För information om närmaste auktoriserade verkstad, kontakta det lokala BLACK+DECKER-kontoret på den adress som är angiven i bruksanvisningen. En lista över alla auktoriserade BLACK+DECKER-verkstäder samt servicevillkor finns på Internet: [www.2helpU.com](http://www.2helpU.com).

Besök vår webbplats [www.blackanddecker.se](http://www.blackanddecker.se) för att registrera din nya BLACK+DECKER-produkt samt för att erhålla information om nya produkter och specialerbjudanden. Mer information om märket BLACK+DECKER och vårt produktsortiment finns på [www.blackanddecker.se](http://www.blackanddecker.se).

BLACK+DECKER försäkrar att dessa produkter, beskrivna under "tekniska data" uppfyller:

2006/42/EG, EN60335-1:2012 + A11:2014 + A13:2017 +  
A1:2019 + A14:2019 + A2:2019, EN50636-2-91:2014.

# TRIMMER

## GL250, GL310, GL360

### Bruksområde

Din BLACK+DECKER™, GL250, GL310, GL360 trimmer er utviklet for å trimme og kutte plankanter og slå gress på trange steder. Verktøyet er beregnet bare som konsumentverktøy.

### SIKKERHETSINSTRUKSJONER

**▲ ADVARSEL!** Ved bruk av nettdrevne apparater må grunnleggende sikkerhetsforholdsregler (inkludert punktene som er beskrevet nedenfor) alltid følges for å redusere risikoen for brann, elektrisk støt, personskade og skade på materiell.

**▲ ADVARSEL!** Når du bruker maskinen, må du følge sikkerhetsreglene. Les disse instruksjonene før du bruker maskinen, for å ivareta sikkerheten for deg selv og personer i nærheten. Ta vare på instruksjonene for senere bruk.

- Les hele denne håndboken nøye før du bruker produktet.
- Beregnet bruk er beskrevet i denne håndboken. Hvis du bruker annet tilbehør, kobler til annet utstyr eller bruker dette apparatet til andre oppgaver enn det som er anbefalt i denne håndboken, kan det føre til fare for personskade.
- Oppbevar denne håndboken for fremtidig bruk.

### Bruke verktøyet

Vær alltid forsiktig når du bruker verktøyet.

- Bruk alltid vernebriller.
- La aldri barn eller personer som ikke kjenner instruksjonene, bruke verktøyet.
- Pass på at barn og dyr ikke kommer i nærheten av arbeidsområdet, og at de ikke berører verktøyet eller strømledningen.
- Pass godt på, og vær forsiktig når verktøyet brukes i nærheten av barn.
- Det er ikke meningen at denne maskinen skal brukes av unge eller svakelige personer uten tilsyn.
- Dette verktøyet skal ikke brukes som leketøy.
- Bruk verktøyet bare i dagslys eller godt kunstig lys.
- Brukes bare i tørre omgivelser. Ikke la maskinen bli våt.
- Ikke senk verktøyet ned i vann.
- Ikke åpne huset til verktøyet. Det er ingen deler inni som brukere skal håndtere.
- Ikke arbeid med produktet i eksplosjonsfarlige omgivelser, som for eksempel der det befinner seg brennbare væsker, gass eller støv.
- Dra aldri i kabelen når du skal ta støpselet ut av stikkkontakten. Dermed reduserer du risikoen for skade på støpsel og kabel.

### Andre personers sikkerhet

- Dette apparatet kan brukes av barn som er 8 år eller eldre, samt av personer som har reduserte fysiske, sansemessige eller mentale evner, eller som mangler erfaring og kunnskap. Hvis de har tilsyn eller har fått veiledning i bruk av apparatet på en trygg måte og forstår farene som foreligger.
- Barn skal ikke leke med apparatet. Rengjøring og brukervedlikehold skal ikke utføres av barn uten tilsyn.

### Andre risikoer

Ved bruk av produktet kan det oppstå ytterligere risikoer som kanskje ikke er inkludert i sikkerhetsadvarslene som følger med. Disse risikoene kan bli forårsaket av feil bruk, langvarig bruk osv.

Selv om de relevante sikkerhetsbestemmelsene blir fulgt, og sikkerhetstiltakene blir gjennomført, kan visse gjenværende risikoer ikke unngås. Disse omfatter:

- Personskader som forårsakes av berøring av en roterende/bevegelig del.
- Personskader som forårsakes av at en del, et blad eller tilbehør endres.
- Personskader som forårsakes av langvarig bruk av et verktøy. Når du bruker et verktøy i lange perioder, må du sørge for å ta regelmessige pauser.
- Svekket hørsel.
- Helsefare som forårsakes av innånding av støv som dannes når du bruker verktøyet (eksempel: arbeid med tre, spesielt eik, bøk og MDF).

### Etter bruk

- Når produktet ikke er i bruk, skal det oppbevares på et tørt og godt ventilert sted utilgjengelig for barn.
- Barn skal ikke ha tilgang til produkter som oppbevares.
- Når produktet oppbevares eller transporteres i et kjøretøy, bør det plasseres i bagasjerommet eller festes, slik at det ikke påvirkes av raske farts- eller retningsendringer.

### Kontroll og reparasjon

- Kontroller at verktøyet ikke er skadet eller har defekte deler før du bruker det. Kontroller om noen av delene er skadet, eller om det er andre forhold som kan påvirke bruken.
- Ikke bruk verktøyet hvis noen del er skadet eller defekt.
- Overlat reparasjon eller utskifting av skadde eller defekte deler til et autorisert serviceverksted.
- Forsøk aldri å fjerne eller skifte ut andre deler enn dem som er oppgitt i denne håndboken.

### Bruke skjøteledning

Bruk alltid en godkjent skjøteledning som passer til inngangseffekten for dette verktøyet (se **tekniske data**). Skjøteledningen må passe for utendørs bruk og skal være merket i samsvar med dette. Opptil 30 m 1,5 mm<sup>2</sup> H05VV V-F-skjøteledning kan brukes uten tap av ytelse for produktet. Før bruk må du undersøke skjøteledningen for tegn på skade, slitasje og aldring. Bytt skjøteledningen hvis den er skadet eller defekt. Når du bruker kabelsnelle, må du alltid rulle ut kabelen helt.

### Ytterligere sikkerhetsinstruksjoner gresstrimmere

- **▲ ADVARSEL!** Skjæreelementene vil fortsette å rotere etter at motoren er slått av.
- Gjør deg kjent med betjeningen og riktig bruk av produktet.
- Før bruk må du kontrollere strømledning og skjøteledning for tegn på skade, aldring og slitasje. Hvis en ledning blir skadet under bruk, må du øyeblikkelig koble produktet fra strømmettet. IKKE TA PÅ STRØMLEDNINGEN FØR DEN ER KOBLET FRA STIKKKONTAKTEN.
- Ikke bruk apparatet hvis ledninger er skadet eller slitte.
- Bruk solide sko eller støvler for å beskytte føttene.
- Bruk lange bukser for å beskytte bena.
- Før du bruker verktøyet, må du kontrollere at det ikke er pinner, steiner, tråd eller andre gjenstander i skjærebannen.

- Bruk apparatet bare i opprett stiling med skjærelinjen nær bakken. Ikke slå verktøyet på i noen annen stilling.
- Beveg deg sakte når du bruker verktøyet. Husk at nylig kuttet gress er fuktig og glatt.
- Ikke arbeid i bratte skrånninger. Arbeid på langs av skrånninger, ikke opp og ned.
- Kryss aldri stier med grus mens verktøyet går.
- Berør aldri skjæretråden mens verktøyet er i gang.
- Ikke sett verktøyet ned før skjæretråden har stanset helt.
- Bruk bare riktig type skjæretråd. Bruk aldri skjæretråd av metall eller fiskesnøre.
- Pass på st du ikke berører trådtrimmebladet.
- Pass på å holde strømledningen unna skjæretråden. Vær alltid klar over hvor kabelen er.
- Hold alltid hender og føtter borte fra skjæretråden, særlig når du slår på motoren.
- Før du bruker verktøyet, og etter et støt, må du undersøke om det er tegn på slitasje eller skade og få verktøyet reparert etter behov.
- Bruk aldri verktøyet med skadet vern eller uten vern på plass.
- Vær varsom så du unngår personskade på grunn av utstyr som er montert for å trimme lengden på filamenttråden. Når ny skjæretråd er matet ut, må du alltid sette verktøyet tilbake i normal bruksstilling før du slår det på.
- Pass alltid på at ventilasjonsåpningene er fri for rusk.
- Ikke bruk plentrimmeren (kanttrimmer) hvis ledningene er skadet eller slitte.
- Hold skjøteledninger unna skjæreelementer.

## Merking på verktøyet

Følgende advarselssymboler vises på verktøyet sammen med datokoden:



Les håndboken før bruk.



Benytt vernebriller når du bruker dette produktet.



Benytt passende hørselvern når du bruker dette produktet.



Trekk alltid støpselet ut av kontakten før du inspiserer en ødelagt ledning. Bruk aldri trimmeren hvis ledningen er skadet.



Vær oppmerksom på flygende gjenstander. Hold personer i nærheten borte fra skjæreområdet.



Ikke utsett maskinen for regn eller høy fuktighet.



Garantert lydeffekt i henhold til direktiv 2000/14/EF.

## Elektrisk sikkerhet



Dette produktet er dobbeltisolert. Jording er derfor ikke nødvendig. Kontroller alltid at strømforsyningen er i overensstemmelse med spenningen på typeskiltet.

- Hvis strømledningen blir skadet, må den skiftes av produsenten eller et autorisert BLACK+DECKER-servicesenter for å unngå fare.
- Strømsikkerheten kan forbedres ytterligere ved bruk av jordfeilbryter på 30 mA med høy følsomhet (RCD).

## Funksjoner

Dette verktøyet har noen av eller alle funksjonene nedenfor:

- 1 På/av-bryter
- 2 Håndtak
- 3 Kabelfeste
- 4 Strømningang
- 5 Ekstrahåndtak
- 6 Vern
- 7 Trådtrimmeblad
- 8 Skjæretråd
- 9 Spolehus
- 10 Hode

## MONTERING

**▲ ADVARSEL!** Før monteringen må du passe på at verktøyet er slått av og at kontakten er trukket ut.

### Feste ekstrahåndtaket (Fig. B)

#### bare GL310 og GL360

- Skyv ekstrahåndtaket **5** på hovedhåndtaket **2** oppover.
- Fest ekstrahåndtaket med de to skruene **19** som følger med.

### Montere vern (Fig. C)

- Sett vernet på verktøyet som vist.
- Trykk bestemt på vernet **6** til det klikker på plass.
- Fest vernet med skruen **11**.

**▲ ADVARSEL!** Bruk aldri verktøyet uten riktig montert vern.

### Løse skjæretråden

Under transport er skjæretråden tapet til spolehuset.

- Fjern tapen som fester skjæretråden **8** til spolehuset **9**.

### Koble verktøyet til strømmettet (Fig. D)

- Koble hunnkontakten på en passende skjøteledning til strømningangen **4**.
- Legg kabelen i en løkke gjennom kabelfestet **3**.
- Sett støpselet i en stikkontakt.

For opprullede kabelenheter: Pass på at kabelen er lagt gjennom kabelfestet før du setter støpselet i stikkkontakten.

**▲ ADVARSEL!** Skjøteledningen må være godkjent for utendørs bruk.

## BRUK

**▲ ADVARSEL!** La verktøyet arbeide med sin egen hastighet. Ikke overbelast det.

### Slå på og av (Fig. A)

- Trykk på utløseren **1** for å slå verktøyet på.
- Slipp utløseren for å slå verktøyet av.

**▲ ADVARSEL!** Ikke prøv å løse utløseren i på-stilling.

## RÅD FOR OPTIMAL BRUK

### Generelt

- Klipp bare tørt gress for å få best mulig resultat.

### Trimming (Fig. E)

- Hold verktøyet som vist i Fig. E.
- Sving trimmeren rolig fra side til side.
- Når du klipper langt gress, arbeider du i trinn fra toppen. Kutt litt av gangen.
- Hold verktøyet unna harde gjenstander og sårbare planter.
- Skjæretråden slites fortere og trenger påfyll hvis du klipper langs fortau eller andre slipende overflater eller kutter kraftig ugress.
- Når du bruker trimmeren, vil tråden bli kortere på grunn av slitasje. Dunk enheten forsiktig mot bakken mens den går, så mates det ut ny snor.
- Hvis verktøyet begynner å gå langsomt, reduserer du belastningen langsomt.

### Montere en ny spole med skjæretråd (Fig. A, F, G)

Ekstra spoler med skjæretråd får du hos din BLACK+DECKER-forhandler (artikkelnummer A6226).

- Hold tappene **12** inne, og ta spoledekslet **13** av huset **9**.
- Ta den tomme spolen **14** ut av spolehuset.
- Fjern eventuelt smuss og gress fra spoledekslet og -huset.
- Ta den nye spolen, og trekk ut ca. 10 cm skjæretråd.
- Før skjæretråden gjennom hullet **15**.
- Trykk spolen på drivakselen **16**, og drei den litt til den er på plass. Pass på at ikke skjæretråden sitter fast under spolen, og at 10 cm av skjæretråden stikker ut av huset.
- Plasser tappene **12** på spoledekslet i forhold til hullene i huset **15**.
- Skyv dekslet på huset til det klikker på plass.

**▲ ADVARSEL!** Hvis skjæretråden rekker lenger enn trimmebladet **7**, kutter du den av, så den når bladet akkurat.

### Snurre en ny skjæretråd på en tom spole (Fig. H–J)

Du kan snurre en ny skjæretråd på en tom spole.

Ekstra pakker med skjæretråd får du hos din BLACK+DECKER-forhandler [artikkelnummer A6170 (25 m), A6046 (37,5 m) og A6171 (40 m)].

- Ta ut den tomme spolen fra verktøyet som beskrevet ovenfor.
- Fjern eventuell gjenværende skjæretråd fra spolen.
- Før 2 cm skjæretråd inn i et av hullene **17** i spolen som vist.
- Snurr skjæretråden på spolen i pilens retning **18**. Pass på å snurre på tråden ordentlig og i lag. Ikke la tråden gå i kryss.
- La tråden stikke ut ca. 10 cm fra spolen, og hold tråden på plass med en finger.
- Fortsett som beskrevet ovenfor for å feste spolen på verktøyet.

**▲ ADVARSEL!** Bruk bare riktig type skjæretråd fra BLACK+DECKER.

### Bytte nettstøpsel (gjelder bare Storbritannia og Irland)

Hvis det må settes på nytt nettstøpsel:

- Kast det gamle støpselet på en trygg måte.
- Koble den brune ledningen til den strømførende terminalen i det nye støpselet.
- Koble den blå ledningen til den nøytrale terminalen.

**▲ ADVARSEL!** Du skal ikke koble til jordterminalen. Følg monteringsinstruksjonene som følger med støpsler av god kvalitet. Anbefalt sikring: 5 A.

## PROBLEMLØSING

Hvis det ikke virker som verktøyet fungerer riktig, følger du instruksjonene nedenfor. Hvis problemet ikke løses, kontakter du ditt lokale BLACK+DECKER-serviceverksted.

**▲ ADVARSEL!** Koble verktøyet fra strømmen før du fortsetter.

### Verktøyet går langsomt

- Kontroller at spolehuset kan dreies fritt. Rengjør det omhyggelig etter behov.
- Kontroller at skjæretråden ikke stikker ut mer enn 11 cm fra spolehuset. Hvis den gjør det, kutter du den av slik at den akkurat når trimmebladet for tråden.

### Dunkematingen virker ikke

- Hold tappene inne, og ta spoledekslet av huset.
  - Trekk i skjæretråden til den stikker ut 11 cm fra spolehuset. Hvis det ikke er nok tråd igjen på spolen, monterer du en ny spole med skjæretråd som forklart ovenfor.
  - Plasser tappene på spoledekslet i forhold til hullene i huset.
  - Skyv dekslet på huset til det klikker på plass.
  - Hvis skjæretråden rekker lenger enn trimmebladet, kutter du den av, så den når bladet akkurat.
- Hvis dunkematingen fremdeles ikke virker, eller hvis spolen siter fast, kan du prøve følgende forslag:
- Rengjør spoledekslet og -huset godt.
  - Ta ut spolen, og kontroller at fjæren er på plass.
  - Ta ut spolen, og rull ut skjæretråden. Snurr den på ordentlig igjen, som beskrevet ovenfor. Sett spolen på plass igjen som forklart.

### VEDLIKEHOLD

Det nettdrevne/batteridrevne BLACK+DECKER-apparatet/verktøyet er konstruert for å være i drift over lengre tid med et minimum av vedlikehold. Verktøyet/apparatet er avhengig av riktig stell og regelmessig rengjøring for å fungere som det skal til enhver tid.

**▲ ADVARSEL!** Før du utfører vedlikehold på nettdrevet/batteridrevet elektroverktøy:

- Slå av apparatet/verktøyet og trekk ut støpselet.
- Eller slå av apparatet/verktøyet og fjern batteriet fra dette hvis apparatet/verktøyet har separat batteripakke.
- Eller la batteriet gå helt tomt hvis det er innebygd, og slå deretter av.
- Fjern laderen fra stikkkontakten før du rengjør den. Laderen krever ikke annet vedlikehold enn regelmessig rengjøring.
- Rengjør ventilasjonsåpningene i verktøy/apparat og lader jevnlig med en myk børste eller tørr klut.
- Rengjør motorhuset regelmessig med en fuktig klut. Ikke bruk slipende eller løsemiddelbaserte rengjøringsmidler.

### Miljø



Separat avfallshåndtering. Dette produktet må ikke kastes sammen med vanlig husholdningsavfall.

Hvis du synes BLACK+DECKER-produktet bør skiftes ut, eller du ikke har bruk for det lenger, må du ikke kaste det sammen med husholdningsavfall. Sørg for separat avfallshåndtering for dette produktet.



Hvis brukte produkter og emballasje leveres atskilt, kan materialer resirkuleres og brukes på nytt. Gjenbruk av resirkulerte materialer bidrar til redusert miljøforurensning og reduserer behovet for råmaterialer.

Det kan være lokale bestemmelser for separat avfallshåndtering for elektriske produkter fra husstander på kommunale avfallsplasser eller hos forhandleren, når du kjøper et nytt produkt.

BLACK+DECKER har en ordning for innsamling og resirkulering av BLACK+DECKER-produkter som ikke skal brukes lenger. Du kan benytte denne tjenesten ved å levere produktet til et hvilket som helst autorisert serviceverksted.

Du kan finne ut hvor nærmeste autoriserte serviceverksted er, ved å kontakte din lokale BLACK+DECKER-avdeling på adressen som er oppgitt i denne håndboken. En oversikt over autoriserte BLACK+DECKER-serviceverksteder og alle opplysninger om ettersalgsservice og kontakter er også tilgjengelig på Internett: [www.2helpU.com](http://www.2helpU.com).

## Tekniske data

		GL250 Type 1	GL310 Type 1	GL360 Type 1
Inngangsspenning	V <sub>AC</sub>	230	230	230
Effekt inn	W	250	300	350
Hastighet ubelastet	min <sup>-1</sup>	11500	11500	11500
Vekt	kg	1,3	1,6	1,6

Den veide geometriske middelverdien av vibrasjonsfrekvensen ifølge EN50636-2-91:2014:  
= 7,2 m/s<sup>2</sup>, usikkerhet (K) = 1,5 m/s<sup>2</sup>.

LPA (lydeffekt) 80 dB(A)  
usikkerhet (K) = 1,1 dB(A)

## EC-samsvarserklæring

### MASKINDIREKTIV

### DIREKTIV FOR UTENDØRSSTØY



### GL250, GL310, GL360 – Trimmer

BLACK+DECKER erklærer at disse produktene, som er beskrevet under "**Tekniske data**", er i samsvar med:

2006/42/EC, EN60335-1:2012 + A11:2014 + A13:2017 + A1:2019 + A14:2019 + A2:2019, EN50636-2-91:2014.

2000/14/EF, Trådtrimmer, L < 50 cm, vedlegg VI,

DEKRA Testing and Certification GmbH,

Handwerkstraße 15, 70565 Stuttgart

Location Certification Body,

Dinnendahlstr. 9, 44809 Bochum, Tyskland

Godkjenningsinstans nr. (Notified Body number): 0158

L<sub>WA</sub> (Målt lydeffektnivå) 93 dB(A)

usikkerhet (K) = 2,8 dB(A),

L<sub>WA</sub> (garantert lydeffekt) 96 dB(A)

Disse produktene samsvarer også med direktiv 2014/30/EU og 2011/65/EU.

For mer informasjon, vennligst kontakt BLACK+DECKER på følgende adresser eller se baksiden av håndboken.

Undertegnede er ansvarlig for sammenstillingen av den tekniske filen og avgir denne erklæringen på vegne av BLACK+DECKER.

*Patrick Diepenbach*

Patrick Diepenbach  
General Manager, Benelux  
BLACK+DECKER,  
Egide Walschaertsstraat 14-18  
2800 Mechelen, Belgia  
15.06.2021

## Garanti

BLACK+DECKER er trygg på kvaliteten på sine produkter og tilbyr en enestående garanti. Denne garantierklæringen kommer i tillegg til dine lovbestemte rettigheter og er ikke i konflikt med disse. Garantien er gyldig i EU- og EFTA-medlemsstatene.

Hvis et BLACK+DECKER-produkt går i stykker på grunn av material- og/eller fabrikkasjonsfeil eller har mangler i forhold til spesifikasjonene innen 24 måneder fra kjøpet, påtar BLACK+DECKER seg å skifte ut defekte deler, reparere produkter som har vært utsatt for alminnelig slitasje, eller bytte ut slike produkter med minst mulig vanskelighet for kunden, med mindre:

- Produktet har vært brukt i yrkes-/næringsvirksomhet eller til utleie.
- Produktet har vært utsatt for feilaktig bruk eller dårlig vedlikehold.
- Produktet har blitt skadet av fremmede gjenstander eller stoffer eller ved et uhell.
- Andre enn autoriserte serviceverksteder eller BLACK+DECKERs serviceteknikere har forsøkt å reparere produktet.

For å ta garantien i bruk må du vise kjøpskvittering til forhandleren eller til et autorisert serviceverksted. Du kan finne ut hvor nærmeste autoriserte serviceverksted er, ved å kontakte din lokale BLACK+DECKER-avdeling på adressen som er oppgitt i denne håndboken. En oversikt over autoriserte BLACK+DECKER-serviceverksteder og alle opplysninger om ettersalgsservice og kontakter er også tilgjengelig på Internett: [www.2helpU.com](http://www.2helpU.com).

Besøk vårt webområde [www.blackanddecker.no](http://www.blackanddecker.no) for å registrere ditt nye BLACK+DECKER-produkt og for å holde deg oppdatert om nye produkter og spesialtilbud. Du finner mer informasjon om BLACK+DECKER og produktutvalget vårt på [www.blackanddecker.no](http://www.blackanddecker.no).

# TRIMMER

## GL250, GL310, GL360

### Anvendelsesområde

Din trimmer fra BLACK+DECKER™, GL250, GL310, GL360 er beregnet til klipning af plænekanter og græsslåning på trange steder. Dette apparat er kun beregnet til privat brug.

### SIKKERHEDSANVISNINGER

**▲ ADVARSEL!** Ved brug af apparater, der strømforsynes fra forsyningsnettet, er det vigtigt, at grundlæggende sikkerhedsforholdsregler, herunder bl.a. nedenstående, altid følges for at mindske risikoen for brand, elektrisk stød, personskade og materiel skade.

**▲ ADVARSEL!** Sikkerhedsreglerne skal følges ved brug af maskinen. Læs denne vejledning, før du bruger maskinen, af hensyn til din egen og omkringståendes sikkerhed. Gem vejledningen til senere brug.

- Læs hele vejledningen omhyggeligt, før du bruger apparatet.
- Den tilsigtede brug er beskrevet i denne vejledning. Brugen af ekstraudstyr eller tilbehør eller udførelse af andet arbejde med dette apparat end det, der anbefales i denne vejledning, kan udgøre en risiko for personskade.
- Opbevar denne vejledning til senere brug.

### Brug af apparatet

Vær altid opmærksom ved brugen af apparatet.

- Bær altid sikkerhedsbriller eller beskyttelsesbriller.
- Lad ikke børn eller personer, der ikke har læst denne vejledning, benytte apparatet.
- Lad ikke børn eller dyr komme i nærheden af arbejdsområdet eller røre ved apparatet eller strømforsyningsledningen.
- Vær meget opmærksom, når apparatet benyttes i nærheden af børn.
- Dette apparat må ikke bruges af børn eller svagelige personer uden opsyn.
- Apparatet må ikke bruges som legetøj.
- Brug kun apparatet i dagslys eller ved god kunstig belysning.
- Apparatet må kun bruges på tørre steder. Lad ikke apparatet blive vådt.
- Apparatet må ikke nedsænkes i vand.
- Kabinettet må ikke åbnes. Der er ingen dele inde i kabinettet, som kan serviceres af brugeren.
- Brug ikke apparatet i eksplosive omgivelser, f.eks. hvor der er brændbare væsker, gasser eller støv.
- For at reducere risikoen for beskadigelse af stik eller ledninger må du aldrig trække i ledningen for at tage stikket ud af en stikkontakt.

### Andres sikkerhed

- Dette apparat må bruges af personer i alderen 8 år og derover, og af personer med nedsatte fysiske, sensoriske eller mentale handicaps, eller mangel på erfaringer, viden eller færdigheder. Hvis de holdes under opsyn eller har modtaget vejledning i sikker brug af apparatet og forstår de involverede farer.
- Børn må ikke lege med apparatet. Rengøring og brugervedligeholdelse må ikke foretages af børn uden opsyn.

### Restrisici

Der kan opstå yderligere restrisici under brugen af værktøjet, som ikke kan medtages i vedlagte sikkerhedsadvarsler. Disse risici kan opstå pga. forkert anvendelse, langvarig brug etc. Selv ved overholdelse af relevante sikkerhedsforskrifter og anvendelse af sikkerhedsudstyr kan visse restrisici ikke undgås. Disse omfatter:

- Tilskadekomst forårsaget af berøring af roterende/ bevægelige dele.
- Tilskadekomst forårsaget af udskiftning af dele, blade eller tilbehør.
- Tilskadekomst forårsaget af langvarig brug af et værktøj. Husk at holde pause jævnligt ved brug af et værktøj i længere tid.
- Høreskader.
- Sundhedsrisici forårsaget af indånding af støv, der genereres ved brug af værktøjet (eksempel: Arbejde med træ, især eg, bøg og MDF).

### Efter brug

- Opbevar apparatet på et tørt, godt ventileret sted uden for børns rækkevidde, når det ikke er i brug.
- Opbevar apparater utilgængeligt for børn.
- Når apparatet opbevares eller transporteres i et køretøj, skal det anbringes i bagagerummet eller fastgøres for at forhindre bevægelse som følge af pludselige ændringer i hastighed eller retning.

### Eftersyn og reparationer

- Før brug skal apparatet kontrolleres for beskadigede eller defekte dele. Se efter knækkede dele og eventuelle andre forhold, der kan påvirke apparatets funktion.
- Brug ikke apparatet med beskadigede eller defekte dele.
- Få beskadigede eller defekte dele repareret eller udskiftet på et autoriseret værksted.
- Forsøg aldrig at fjerne eller udskifte dele ud over dem, der er beskrevet i denne vejledning.

### Brug af en forlængerledning

Brug altid en godkendt forlængerledning, der er egnet til dette apparats strømstik (se de **tekniske data**). Forlængerledningen skal være egnet til udendørs brug og mærket i overensstemmelse hermed. Der kan bruges en H05VV-F-forlængerledning på op til 30 m med et tværsnit på 1,5 mm<sup>2</sup>, uden at produktets ydeevne forringes. Før brug skal forlængerledningen inspiceres for tegn på beskadigelse, slid og ældning. Udskift forlængerledningen, hvis den er beskadiget eller defekt. Rul ledningen helt ud, hvis der anvendes en kabeltromle.

### Yderligere sikkerhedsvejledning for græstrimmere

**▲ ADVARSEL!** Skærelementer fortsætter med at rotere, efter at motoren er stoppet.

- Sæt dig ind i betjeningsknapperne og korrekt brug af apparatet.
- Kontroller strømforsyningsledningen og forlængerledningen for tegn på beskadigelse, ældning og slid før brug. Hvis strømforsyningsledningen bliver beskadiget under brug, skal du omgående tage den ud af stikkontakten. RØR IKKE LEDNINGEN, FØR DU HAR TAGET DEN UD AF STIKKONTAKTEN.

- Brug ikke apparatet med beskadigede eller slidte ledninger.
- Bær solide sko eller støvler for at beskytte dine fødder.
- Bær lange bukser for at beskytte dine ben.
- Kontroller, at området er ryddet for grene, sten, ståltråd og andre forhindringer, før du bruger apparatet.
- Brug kun apparatet i lodret stilling med skæretråden i nærheden af jorden. Tænd ikke for apparatet i nogen anden position.
- Bevæg dig langsomt, når du bruger apparatet. Husk, at nyslået græs er fugtigt og glat.
- Undgå at arbejde på stejle skrånninger. Arbejd på tværs af skrånningen, ikke op og ned.
- Passer ikke grusstier eller veje, mens apparatet kører.
- Rør aldrig skæretråden, mens apparatet kører.
- Læg ikke apparatet ned, før skæretråden står helt stille.
- Brug altid den rigtige type skæretråd. Brug aldrig metaltråd eller fiskesnøre.
- Pas på ikke at røre trådkniven.
- Pas på, at ledningen ikke kommer i nærheden af skæretråden. Vær altid opmærksom på ledningens position.
- Hold altid hænder og fødder væk fra skæretråden, især når motoren startes.
- Kontroller apparatet før brug eller efter et evt. slag for tegn på slid eller beskadigelse, og reparer efter behov.
- Brug aldrig apparatet med beskadigede skærme eller uden skærme.
- Pas på ikke at komme til skade med enheden, der er monteret til afskæring af trådlængden. Når du har trukket ny skæretråd ud, skal du altid sætte maskinen tilbage i normal arbejdsstilling, før den startes.
- Hold altid ventilationsåbningerne fri for snavs.
- Brug ikke plæneklipperen (kantrimmeren) med beskadigede eller slidte ledninger.
- Hold forlængerledninger væk fra skæreelementer.

## Mærkater på apparatet

Værktøjet er forsynet med følgende advarselssymboler samt datokoden:



Læs vejledningen inden brug.



Bær beskyttelses- eller sikkerhedsbriller, når du bruger dette apparat.



Bær egnet hørevern, når du bruger dette apparat.



Tag altid stikket ud af kontakten, før du undersøger et beskadiget kabel. Brug ikke trimmeren, hvis kablet er beskadiget.



Pas på flyvende genstande. Hold omkringstående på afstand af klippeområdet.



Udsæt ikke apparatet for regn eller høj luftfugtighed.



Direktiv 2000/14/EF garanteret lydeffekt.

## Elektricitet og sikkerhed



Dette værktøj er dobbelt isoleret. Derfor er en jordledning ikke nødvendig. Kontroller altid, at strømforsyningen svarer til spændingen på typeskiltet.

- Hvis netledningen beskadiges, skal den udskiftes af producenten eller et autoriseret BLACK+DECKER-værksted, så farlige situationer undgås.
- Den elektriske sikkerhed kan forbedres yderligere ved brug af en højfølsom 30 mA fejlstrømsafbryder (RCD).

## Funktioner

Dette apparat leveres med nogle eller alle de følgende egenskaber.

- 1 Afbryderkontakt
- 2 Håndtag
- 3 Ledningsholder
- 4 Indgangseffekt
- 5 Andet håndtag
- 6 Skærm
- 7 Trådkniv
- 8 Skæretråd
- 9 Spolehus
- 10 Hoved

## SAMLING

**▲ ADVARSEL!** Kontroller før montering, at værktøjet er slukket, og at stikket er taget ud af stikkontakten.

## Montering af det andet håndtaget (Fig. B)

### kun GL310 og GL360

- Skub det andet håndtag **5** på hovedhåndtaget **2** i en opadgående bevægelse.
- Fastgør det andet håndtag med de to medfølgende skruer **19**.

## Montering af afskærmningen (Fig. C)

- Placer skærmen på værktøjet som vist.
- Tryk fast på skærmen **6**, til den klikker på plads.
- Fastgør skærmen med skruen **11**.

**▲ ADVARSEL!** Brug aldrig værktøjet uden korrekt monteret skærm.

## Frigørelse af skæretråd

Under forsendelse er skæretråden tapet fast på spolehuset.

- Fjern tapen, der holder skæretråden **8** fast på spolehuset **9**.

## Tilslutning af værktøjet til ledningsnettet (Fig. D)

- Sæt hunstikket på en egnet forlængerledning i strømindgangen **4**.
- Før ledningen gennem ledningsholderen **3**.
- Sæt stikket i stikkontakten.



Før ledningsforbundne enheder: Kontroller, at ledningen er ført gennem ledningsholderen, inden stikket sættes i stikkontakten.

**▲ ADVARSEL!** Forlængerkablet skal være egnet til udendørs brug.

## ANVENDELSE

**▲ ADVARSEL!** Lad værktøjet arbejde i dets eget tempo. Det må ikke overbelastes.

### Start og stop (Fig. A)

- Start værktøjet ved at klemme på udløserarmen ①.
- Stop værktøjet ved at slippe udløserarmen.

**▲ ADVARSEL!** Forsøg aldrig at fastlåse udløserarmen i tændt position.

## GODE RÅD TIL OPTIMAL BRUG

### Generelt

- Det bedste resultat opnås, hvis græsset er tørt.

### Trimning (Fig. E)

- Hold værktøjet som vist i Fig. E.
- Sving forsigtigt trimmeren fra side til side.
- Arbejd trinvis fra toppen ved slåning af langt græs. Klip små områder ad gangen.
- Hold værktøjet væk fra hårde genstande og sarte planter.
- Skæretråden slides hurtigere og skal hyppigere føres frem, hvis der trimmes langs fortove eller andre slidende overflader, eller hvor der trimmes kraftigt ukrudt.
- Når du bruger trimmeren, bliver tråden kortere pga. slid. Slå forsigtigt enheden mod jorden, mens den kører, så der fremføres tråd.
- Reducer belastningen, hvis værktøjet begynder at køre langsomt.

### Montering af en ny spole med skæretråd (Fig. A, F, G)

Nye spoler med skæretråd fås hos BLACK+DECKER-forhandleren (katalognr. A6226).

- Hold tappene ⑫ nede, og fjern spoleafdækningen ⑬ fra huset ⑨.
- Fjern den tomme spole ⑭ fra spolehuset.
- Fjern snavs og græs fra spoleafdækningen og huset.
- Tag den nye spole, og træk ca. 10 af skæretråden ud.
- Før skæretråden gennem øjet ⑮.
- Tryk spolen på drivakslen ⑯, og drej den en smule, til den sidder fast. Kontroller, at skæretråden ikke sidder fast under spolen, og at 10 cm af skæretråden hænger ud af huset.
- Ret tappene ⑫ på spoleafdækningen ind efter hullerne i huset ⑮.
- Tryk afdækningen på huset, til den låses på plads.

**▲ ADVARSEL!** Hvis skæretråden hænger længere ud end trådkniven ⑦, klippes den af, så den lige netop når kniven.

### Opvinding af ny skæretråd på en tom spole (Fig. H–J)

Du kan vinde ny skæretråd på en tom spole.

Nye pakker med skæretråd fås hos BLACK+DECKER-forhandleren [katalognr. A6170 (25 m), A6046 (37,5 m) og A6171 (40 m)].

- Tag den gamle spole ud af værktøjet som beskrevet ovenfor.
- Fjern evt. resterende skæretråd fra spolen.
- Før 2 cm skæretråd ind i hullerne ⑰ i spolen som vist.
- Vind skæretråden på spolen i pilens retning ⑱. Vind tråden ensartet på og i lag. Kryds ikke tråden.
- Lad tråden hænge ca. 10 cm ud af spolen, og hold en finger på tråden for at holde den på plads.

- Fortsæt som beskrevet herover for at montere spolen på værktøjet.

**▲ ADVARSEL!** Brug altid den rigtige type skæretråd fra BLACK+DECKER.

### Udskiftning af stik (kun Storbritannien og Irland)

Sådan monteres et nyt stik:

- Det gamle stik skal bortskaffes på en sikker måde.
- Slut den brune ledning til den strømførende klemme på det nye stik.
- Slut den blå ledning til den neutrale klemme.

**▲ ADVARSEL!** Der skal ikke foretages nogen tilslutning til jordklemmen. Følg de monteringsanvisninger, der leveres sammen med kvalitetsstik. Anbefalet sikring: 5 A.

### FEJLFINDING

Følg vejledningen nedenfor, hvis værktøjet ikke synes at fungere korrekt. Hvis dette ikke løser problemet, bedes du kontakte et det lokale BLACK+DECKER-værksted.

**▲ ADVARSEL!** Træk stikket ud af stikkontakten, før du fortsætter.

### Apparatet kører langsomt

- Kontroller, at spolehuset kan rotere frit. Rengør det forsigtigt om nødvendigt.
- Kontroller, at skæretråden ikke hænger mere end 11 cm ud af spolehuset. Hvis den gør, skal den klippes af så den lige netop når trådkniven.

### Hvis metoden med at slå enheden mod jorden ikke virker

- Hold tappene nede, og fjern spoleafdækningen fra huset.
- Træk i skæretråden, til den hænger 11 cm ud af huset. Sæt en ny spole med skæretråd i, hvis der ikke er tilstrækkelig skæretråd tilbage på spolen.
- Ret tappene på spoleafdækningen ind efter udskæringerne i huset.
- Tryk afdækningen på huset, til den låses på plads.
- Hvis skæretråden hænger længere ud end trådkniven, klippes den af, så den lige netop når kniven.

Prøv nedenstående forslag, hvis metoden med at slå enheden mod jorden stadig ikke virker, eller tråden er filtret:

- Rengør forsigtigt spoleafdækningen og huset.
- Tag spolen ud, og kontroller, at fjederen sidder korrekt.
- Tag spolen ud, vind skæretråden af, og vind den derefter ensartet på igen som beskrevet herover. Udskrift spolen som beskrevet i vejledningen.

### VEDLIGEHOVELSE

Dit BLACK+DECKER-apparat/værktøj med eller uden ledning er beregnet til brug gennem lang tid med et minimum af vedligeholdelse. Fortsat tilfredsstillende drift afhænger af korrekt behandling af værktøjet/apparatet samt regelmæssig rengøring.

**▲ ADVARSEL!** Før udførelse af nogen form for vedligeholdelse på elværktøj med/uden ledning:

- Sluk, og tag apparatets/værktøjets stik ud af stikkontakten.
- Eller sluk og fjern batteriet fra apparatet/værktøjet, hvis det har en separat batteripakke.
- Eller aflad batteriet helt, hvis det er indbygget, og sluk derefter.
- Træk laderen ud af stikkontakten, før den rengøres. Laderen kræver ingen vedligeholdelse, men skal rengøres jævnlige.

- Rengør jævnligt værktøjets/apparatets og laderens ventilationshuller med en blød børste eller en tør klud.
- Rengør med jævne mellemrum motorhuset med en fugtig klud. Der må ikke bruges skuremidler eller.

### Miljø



Separat bortskaffelse. Dette produkt må ikke bortskaffes sammen med almindeligt husholdningsaffald.

Når dit BLACK+DECKER-produkt en dag er udtjent, eller du ikke længere har brug for det, må du ikke smide det ud sammen med det almindelige affald. Produktet skal bortskaffes separat.



Ved separat bortskaffelse af brugte produkter og emballage bliver der mulighed for at genanvende forskellige materialer.

Genanvendelse af materialer medvirker til at forebygge miljøforurening og mindsker behovet for råstoffer.

Lokal lovgivning kan kræve separat indsamling af elektriske husholdningsapparater på kommunale affaldsdeponer eller af den detailhandlende ved køb af et nyt produkt.

BLACK+DECKER sørger for at indsamle og genanvende BLACK+DECKER-produkter, når disse ikke længere kan bruges. Hvis du vil benytte dig af denne service, skal du returnere produktet til et autoriseret værksted, der indsamler produkterne for os.

Kontakt det lokale BLACK+DECKER-kontor på den adresse, der er angivet i denne vejledning, for at få oplysninger om nærmeste autoriserede værksted. En liste over alle autoriserede BLACK+DECKER-serviceværksteder samt servicevilkår og kontaktpersoner er tilgængelig på internettet på adressen:

[www.2helpU.com](http://www.2helpU.com).

### Tekniske data

		GL250 type 1	GL310 type 1	GL360 type 1
Indgangsspænding	Vac	230	230	230
Motoreffekt	W	250	300	350
Hastighed uden belastning	min <sup>-1</sup>	11500	11500	11500
Vægt	kg	1,3	1,6	1,6

Vægtet vibrationsværdi for hånd/arm i henhold til EN50636-2-91:2014:

$$= 7,2 \text{ m/s}^2, \text{ usikkerhed (K) = } 1,5 \text{ m/s}^2.$$

LPA (lydeffekt) 80 dB(A)

usikkerhed (K) = 1,1 dB(A)

### EF-overensstemmelseserklæring

#### MASKINDIREKTIV

#### DIREKTIV FOR STØJ UDEN DØRE



GL250, GL310, GL360 - Trimmer

BLACK+DECKER erklærer, at produkterne beskrevet under "Tekniske data" er i overensstemmelse med:

2006/42/EF, EN60335-1:2012 + A11:2014 + A13:2017 + A1:2019 + A14:2019 + A2:2019, EN50636-2-91:2014.

2000/14/EF, Lawn Trimmer, L < 50cm, Annex VI,

DEKRA Testing and Certification GmbH,  
Handwerkstraße 15, 70565 Stuttgart

Location Certification Body,

Dinnendahlstr. 9, 44809 Bochum Germany

Notified Body number: 0158

LWA (measured sound power level) 93 dB(A),

Uncertainty (K) = 2,8 dB(A),

LWA (guaranteed sound power) 96 dB(A).

These products also comply with directive  
2014/30/EU, 2011/65/EU.

Kontakt BLACK+DECKER på følgende adresse for yderligere oplysninger eller se bagsiden af vejledningen.

Undertegnede er ansvarlig for kompilering af den tekniske fil og udsteder denne erklæring på vegne af BLACK+DECKER.

*Patrick Diepenbach*

Patrick Diepenbach  
General Manager, Benelux  
BLACK+DECKER,  
Egide Walschaertsstraat 14-18  
2800 Mechelen, Belgien  
15.06.2021

### Garanti

BLACK+DECKER garanterer, at produktet er fri for skader og fejl og tilbyder en fremragende garanti. Garantien er et tillæg til forbrugerens lovsikrede rettigheder og påvirker ikke disse. Garantien gælder inden for medlemsstaterne af den Europæiske Union og i det Europæiske Frihandelsområde.

Hvis et BLACK+DECKER-produkt går i stykker på grund af materiel skade og/eller fabriktionsfejl eller på anden måde ikke fungerer i overensstemmelse med specifikationen inden for 24 måneder fra købsdatoen, påtager BLACK+DECKER sig at reparere eller ombytte produktet med mindst mulig ulempe for kunden. Garantien gælder ikke for fejl og mangler, der er sket i forbindelse med:

- Produktet har været anvendt erhvervs-mæssigt eller til udlejning.
- Produktet har været anvendt forkert eller er ikke vedligeholdt.
- Produktet er beskadiget af fremmedlegemer, substanser eller pga. uheld.
- Garantien gælder ikke, hvis reparationer er udført af andre end et autoriseret BLACK+DECKER-værksted.

For at udnytte garantien skal produktet og købskvitteringen indleveres til forhandleren eller til et autoriseret værksted. Kontakt det lokale Black & Decker-kontor på den adresse, der er opgivet i denne vejledning, for at få oplysninger om nærmeste autoriserede værksted. En liste over alle autoriserede Black & Decker-serviceværksteder samt servicevilkår og kontaktpersoner er tilgængelig på internettet på adressen: [www.2helpU.com](http://www.2helpU.com).

Gå venligst ind på vores websted [www.blackanddecker.dk](http://www.blackanddecker.dk) for at registrere dit nye produkt og for at blive holdt ajour om nye produkter og specialtilbud. Der findes yderligere oplysninger om mærket BLACK+DECKER og vores produktsortiment på [www.blackanddecker.dk](http://www.blackanddecker.dk).

# TRIMMER

## GL250, GL310, GL360

### Käyttötarkoitus

BLACK+DECKER™ GL250, GL310, GL360 -trimmeri on suunniteltu nurmikon reunojen viimeistelyyn ja nurmikon leikkaukseen ahtaissa paikoissa. Laite on tarkoitettu vain yksityiskäyttöön.

### TURVALLISUUSOHJEET

**▲ VAROITUS!** *Sähkölaitteita käytettäessä on aina noudatettava asianmukaisia turvaohjeita, jotta tulipalojen, sähköiskujen, henkilövahinkojen ja materiaalivaurioiden riski olisi mahdollisimman pieni.*

**▲ VAROITUS!** *Laitetta käytettäessä on noudatettava turvallisuussääntöjä. Lue tämä opas huolellisesti läpi ennen koneen käyttöä oman ja muiden turvallisuuden takia. Säilytä ohjeet myöhempää tarvetta varten.*

- Lue nämä ohjeet huolellisesti ennen laitteen käyttöä.
- Käyttötarkoitus kuvataan tässä käyttöohjeessa. Muiden kuin tässä käyttöohjeessa suositeltujen lisävarusteiden tai -osien käyttö sekä laitteen käyttö muuhun kuin käyttöohjeessa suositeltuun tarkoitukseen voi aiheuttaa henkilövahingon vaaran.
- Säilytä tämä käyttöohje tulevaa tarvetta varten.

### Laitteen käyttö

Ole aina huolellinen käyttäessäsi laitetta.

- Käytä aina suojalaseja.
- Älä koskaan anna lasten tai kenenkään, joka ei ole lukenut käyttöohjetta, käyttää laitetta.
- Älä anna lasten tai eläinten tulla lähelle työskentelyaluetta tai koskea laitteeseen tai sähköjohtoon.
- Jos laitetta käytetään lasten läheisyydessä, on oltava tarkkaavainen.
- Tätä laitetta ei ole tarkoitettu nuorten tai lihasvoimaltaan heikkojen henkilöiden käyttöön ilman valvontaa.
- Laitetta ei tule käyttää leluina.
- Käytä laitetta vain päivänvalossa tai hyvin valaistulla alueella.
- Soveltuu vain kuivaan käyttöympäristöön. Älä anna laitteen kastua.
- Älä upota laitetta veteen.
- Älä avaa laitteen koteloa. Sen sisällä ei ole käyttäjän huollettavissa olevia osia.
- Älä käytä laitetta räjähdyksalttiissa ympäristössä, jossa on syttyvää nestettä, kaasua tai pölyä.
- Älä koskaan irrota johtoa pistorasiasta johdosta vetäen. Pistoke ja johto voivat vahingoittua.

### Muiden turvallisuus

- Tämä laite soveltuu yli 8-vuotiaiden lasten ja sellaisten henkilöiden käyttöön, joilla on fyysisiä tai älyllisiä rajoitteita tai aistirajoitteita, kuten myös laitteen toimintaan perehtymättömien henkilöiden käyttöön, jos he ovat saaneet laitteen turvalliseen käyttöön liittyvää opastusta ja mmärtävät laitteen käyttöön liittyvät vaarat.
- Älä anna lasten leikkiä laitteella. Puhdistus- ja huoltotöitä ei saa jättää lapsille ilman valvontaa.

### Muut riskit

Muut riskit ovat mahdollisia, jos käytät työkalua muulla kuin turvavaroituksissa mainitulla tavalla. Nämä riskit voivat liittyä muun muassa virheelliseen tai pitkäaikaiseen käyttöön.

Tiettyjä jäännösriskejä ei voi välttää, vaikka noudatat kaikkia turvamááráyksiá ja káytát turvalaitteita. Náihin kuuluvat muun muassa.

- pyörivien tai liikkuvien osien koskettamisen aiheuttamat vahingot.
- osia, teriá tai lisávarusteita vaihdettaessa aiheutuneet vahingot.
- työkalun pitkäaikaisen käytön aiheuttamat vahingot
- Kun káytát työkalua pitkáán, varmista, että pidát säännöllisesti taukoja.
- kuulovauriot.
- Työkalua káytettäessä (esimerkiksi puuta, erityisesti tammea, pyökiá ja MDF-levyjá kástellessá) syntyneen pölyn sisáánhengityksen aiheuttamat terveystriskit.

### Káytön jälkeen

- Kun laitetta ei káytetá, säilytá sitä kuivassa, hyvin tuuletetussa paikassa poissa lasten ulottuvilta.
- Pidá laite lasten ulottumattomissa.
- Kun laitetta säilytetáán tai kuljetetaan ajoneuvossa, sijoita se tavaratilaan tai kiinnitá se kunnolla, ettei se matkan aikana pääse liikkumaan.

### Tarkastus ja korjaus

- Tarkista ennen laitteen káyttöá, ettei laitteessa ole vahingoittuneita tai viallisia osia. Tarkista osien ja kytkimien kunto sekä muut seikat, jotka voivat vaikuttaa laitteen toimintaan.
- Älá káytá laitetta, jos jokin osa on vahingoittunut tai viallinen.
- Korjauta tai vaihdata vaurioituneet tai vialliset osat valtuutetussa huolto liikkeessä.
- Älá yritá korjata tai vaihtaa muita kuin tässä káyttöohjeessa erikseen mááriteltyjä osia.

### Jatkojohdon káyttáminen

Káytá aina oikeanlaista jatkojohtoa, joka sopii tämän laitteen virransyöttötilántáán (katso kohta **Tekniset tiedot**). Jatkojohdon on oltava ulkokáyttöön soveltuva ja siiná on oltava vastaava merkintá. Laitteen kanssa voidaan káyttáá enintáán 30 m pitkáá 1,5 mm<sup>2</sup>:n HOSV-V-f-jatkojohtoa ilman tehon heikkenemistá. Tarkista jatkojohdon kunto ennen sen káyttámistá. Vahingoittunut tai viallinen kaapeli on vaihdettava. Jos káytát jatkojohtokelaa, kelaa johto aina täysin auki.

### Ruohotrimmereiden lisáturvaohjeet

**▲ VAROITUS!** *Leikkaavien osien pyöriminen jatkuu senkin jälkeen, kun moottori on sammutettu.*

- Tutustu hallintalaitteisiin ja opettele laitteen oikea káyttö.
- Tarkista ennen káyttöá, että sähkö- ja jatkojohdot eivät ole vaurioituneet, vanhentuneet tai kuluneet. Jos johto vahingoittuu káytön aikana, irrota johto heti virtaláhteestä. **ÁLÁ KOSKETA JOHTOA, ENNEN KUIN OLET IRROTTANUT SEN VIRTALÁHTEESTÁ.**
- Álá káytá laitetta, jos sen johdot ovat vahingoittuneet tai kuluneet.
- Suojaa jalat laitteen káytön aikana káyttámällä tukevia jalkineita.

- Suojaa säätetä käyttämällä pitkiä housuja.
- Tarkista ennen laitteen käyttöä, ettei työskentelyalueella ole oksia, kiviä, metallilankaa tai muita esteitä.
- Käytä laitetta vain pystyasennossa, leikkuulanka kuvan mukaisesti lähellä maata. Älä koskaan käynnistä laitetta missään muussa asennossa.
- Liiku hitaasti, kun käytät laitetta. Muista, että juuri leikattu ruoho on kosteaa ja liukasta.
- Älä työskentele jyrkissä rinteissä. Työskentele rinteiden korkeussuuntaan nähden poikittain, älä ylhäältä alas tai päinvastoin.
- Älä koskaan kuljeta laitetta sora- tai hiekkateiden yli langan pyöriessä.
- Älä koskaan kosketa leikkuulankaa laitteen ollessa käynnissä.
- Älä laita laitetta maahan, ennen kuin leikkuulanka on täysin pysähtynyt.
- Käytä ainoastaan oikean tyyppistä leikkuulankaa. Älä koskaan käytä metallista leikkuulankaa tai ongensiimaa.
- Älä koske langan leikkuuterään.
- Pidä verkkovirtajohto aina mahdollisimman kaukana leikkuulangasta. Ota huomioon virtajohdon asento aina laitetta käytettäessä.
- Pidä kädet ja jalat poissa leikkuulangan tieltä etenkin, kun moottori käynnistetään.
- Tarkista laite kulumisen tai vaurioiden varalta ennen työn aloittamista ja iskujen jälkeen. Korjaa puutteet ennen työn jatkamista.
- Älä koskaan käytä laitetta, jos jokin suoja on vaurioitunut tai ei ole paikallaan.
- Varo vahingoittamasta itseäsi leikkuulangan lyhentämiseen varustetulla laitteella. Kun olet pidentänyt uutta leikkuulankaa, aseta laite aina takaisin normaaliin käyttöasentoon ennen käynnistämistä.
- Varmista aina, että ilmanvaihtoaukot ovat puhtaita.
- Älä käytä nurmikkotrimmeriä (reunatrimmeriä), jos sen johdot ovat vahingoittuneet tai kuluneet.
- Pidä jatkojohdot poissa leikkaavien osien tieltä.

## Laitteessa olevat merkinnät

Työkaluun on merkitty päivämääräkoodi sekä seuraavat varoitusmerkinnät:



Lue käyttöohje ennen laitteen käyttöönottoa.



Käytä suojalaseja, kun käytät laitetta.



Käytä asianmukaisia kuulosuojaimia, kun käytät laitetta.



Irrota verkkojohto pistorasiasta aina ennen vaurioituneen johdon tarkistamista. Älä käytä trimmeriä, jos virtajohto on vahingoittunut.



Varo sinkoilevia esineitä. Pidä sivulliset poissa leikkausalueelta.



Älä käytä laitetta sateessa tai erittäin kosteissa olosuhteissa.



Direktiivin 2000/14/EY mukainen taattu ääniteho.

## Sähköturvallisuus



Tämä laite on kaksoiseristetty, joten erillistä maadoitusta ei tarvita. Tarkista aina, että virtalähde vastaa arvokilvessä ilmoitettua jännitettä.

- Jos virtajohto vahingoittuu, sen vaihtaminen on turvallisuusystävällisempi jätettävä valmistajan tai valtuutetun BLACK+DECKER -huollon tehtäväksi.
- Sähköturvallisuutta voi parantaa käyttämällä erittäin herkkää (30 mA) vikavirtasuojaa.

## Yleiskuvaus

Tässä laitteessa on kaikki tai joitakin seuraavista ominaisuuksista.

- 1 Virtakytin
- 2 Kahva
- 3 Kaapelin pitosilmukka
- 4 Virransyöttöliitäntä
- 5 Toinen kädensija
- 6 Suojus
- 7 Langan leikkuuterä
- 8 Leikkuulanka
- 9 Kelakotelo
- 10 Pää

## KOKOAMINEN

**▲ VAROITUS!** Varmista ennen kokoamista, että virta on katkaistu ja että virtajohto on irti pistorasiasta.

### Toisen kädensijan kiinnittäminen (Kuva [Fig.] B) vain GL310 ja GL360

- Työnnä toinen kädensija **5** pääkädensijan **2** päälle ylöspäin suuntautuvalla liikkeellä.
- Kiinnitä toinen kädensija kahdella toimitukseen kuuluvalla ruuvilla **19** paikalleen.

### Suojuksen kiinnittäminen (Kuva C)

- Aseta suojus kuvan osoittamalla tavalla työkalun päälle.
- Paina suojusta **6** voimakkaasti, kunnes se napsahtaa paikalleen.
- Kiinnitä suojus ruuvilla **11**.

**▲ VAROITUS!** Älä koskaan käytä työkalua, jos suojusta ei ole kiinnitetty kunnolla paikalleen.

### Leikkuulangan vapauttaminen

Leikkuulanka on teipattu kiinni kelakoteloon kuljetuksen ajaksi.

- Irrota leikkuulangan **8** kelakotelo **9** kiinnittävä teippi.

### Työkalun kytkeminen verkkovirtaan (Kuva D)

- Kiinnitä sopivan jatkojohdon naarasliitin virransyöttöliitäntään **4**.
- Pujota kaapeli kaapelin pitosilmukan **3** läpi.
- Kytke verkkopistoke virtalähteeseen.

Langoitetuille johtoyksiköille: Varmista, että johto on kierretty johdon pidikkeen kautta, ennen kuin kiinnität johdon verkkovirtaan.

**VAROITUS!** *Jatkojohdon on oltava ulkokäyttöön sopiva. KÄYTTÖ*

**VAROITUS!** *Anna työkalun käydä omaan tahtiinsa. Älä ylikuormita sitä.*

### Käynnistäminen ja pysäyttäminen (Kuva A)

- Käynnistä laite painamalla virrankatkaisijaa 1.
- Sammuta työkalu vapauttamalla virrankatkaisija.

**VAROITUS!** *Älä koskaan yritä lukita virrankatkaisijaa käyttöasentoon.*

## VINKKEJÄ PARHAIMMAN TULOKSEN SAAMISEKSI

### Yleistä

- Paras leikkuutulos saavutetaan leikkaamalla vain kuivaa nurmikkoa.

### Trimmaus (Kuva E)

- Pitele työkalua Kuvan E osoittamalla tavalla.
- Käännä trimmeriä kevyesti puolelta toiselle.
- Leikkaa pitkää ruohoa asteittain ylhäältä lähtien. Leikkaa vain vähän kerrallaan.
- Vältä kovia esineitä tai hentoja kasveja.
- Leikkuulanka kuluu nopeammin ja vaatii useammin tapahtuvaa syöttöä, kun leikkaat jalkakäytävien tai muiden hiovien pintojen lähellä tai tavallista kovempia rikkaruohoja.
- Kun käytät trimmeriä, lanka lyhenee kulumisen seurauksena. Voit syöttää lisää lankaa kopauttamalla laitetta kevyesti maata vasten.
- Jos työkalu alkaa käydä hitaasti, vähennä kuormitusta.

### Uuden lankakelan kiinnittäminen (Kuvat A, F, G)

Uusia lankakeloja myyvät BLACK+DECKER -tuotteiden jälleenmyyjät (tuotenro no. A6226).

- Pidä kelan suojuksen kielekkeitä 12 painettuna ja poista kelan suojuus 13 kotelosta 9.
- Poista tyhjä kela 14 kelakotelosta.
- Poista kaikki liika ja ruoho kelan suojuksesta ja kotelosta.
- Vedä leikkuulankaa esiin uudelta kelalta noin 10 cm.
- Pujota leikkuulanka reistä 15.
- Laita kela akseliin 16 ja kierrä kelaa hieman, kunnes se asettuu paikalleen. Varmista, ettei leikkuulanka jää kelan alle ja että sitä tulee ulos kotelosta noin 10 cm.
- Kohdistu kelan suojuksen kielekkeet 12 kotelon reikiin 15.
- Paina suojuksen koteloon, kunnes se napsahtaa kiinni paikalleen.

**VAROITUS!** *Jos leikkuulanka ylettyy leikkuuterän 7 yli, leikkaa se lyhyemmäksi niin, että se on terän kohdalla.*

### Uuden leikkuulangan kiertäminen tyhjään kelaan (Kuvat H–J)

Tyhjään kelaan on mahdollista kiertää uusi leikkuulanka.

Lankapakkauksia myyvät BLACK+DECKER -tuotteiden jälleenmyyjät [tuotenro no. A6170 (25 m), A6046 (37,5 m) ja A6171 (40 m)].

- Poista tyhjä kela laitteesta aiempien ohjeiden mukaisesti.
- Poista kaikki vanha leikkuulanka kelasta.
- Syötä 2 cm leikkuulankaa toiseen kelan reistä 17 kivan mukaisesti.
- Kierrä leikkuulanka kelalle nuolen 18 suuntaan. Kierrä lankaa tasaisesti eri kerroksiin. Älä kierrä sitä ristiin.

- Anna lankaa tulla lojone kalalta noin 10 cm ja pidä lankaa paikallaan painamalla sitä sormella.
- Kiinnitä kela laitteeseen aikaisempien ohjeiden mukaisesti.

**VAROITUS!** *Käytä ainoastaan oikeaa BLACK+DECKERin suosittelamaa leikkuulankaa.*

### Virtapistokkeen vaihto (vain Iso-Britannia ja Irlanti)

Jos joudut vaihtamaan virtapistokkeen:

- Hävitä vanha pistoke ympäristöstävällisesti.
- Liitä ruskea johto uuden pistokkeen jännitteeseen napaan.
- Liitä sininen johto tähtipisteliittimeen.

**VAROITUS!** *Maadoitusliittimeen ei liitetä johtoa. Noudata pistokkeen mukana toimitettuja kiinnitysohjeita. Suositeltava sulake: 5 A.*

### VIANMÄÄRITYS

Jos laite ei näytä toimivan oikein, noudata seuraavia ohjeita. Jos tämä ei auta, ota yhteys paikalliseen BLACK+DECKER -huoltoiliikkeen.

**VAROITUS!** *Irrota työkalu pistorasiasta ennen jatkamista.*

### Laite käy hitaasti

- Tarkista, että kelan kotelon pääsee pyörimään esteettä. Puhdista se varovasti tarvittaessa.
- Tarkista, että leikkuulankaa ei tule ulos kelan kotelosta yli 11 cm. Jos se tulee, katkaise lanka niin, että se tulee lähemmäksi leikkuuterää.

### Jos kopautussyöttö ei toimi

- Pidä kelan suojuksen kielekkeitä painettuna ja poista kelan suojuksen kotelosta.
- Vedä leikkuulankaa, kunnes sitä tulee ulos kotelosta 11 cm. Jos kelalla ei ole tarpeeksi leikkuulankaa, asenna uusi leikkuulankakela aikaisempien ohjeiden mukaan.
- Kohdistu kelan suojuksen kielekkeet kotelon reikiin.
- Paina suojuksen koteloon, kunnes se napsahtaa kiinni paikalleen.
- Jos leikkuulanka ylettyy leikkuuterän yli, leikkaa se lyhyemmäksi niin, että se on terän kohdalla.

Jos kopautussyöttö ei vielääkään toimi tai kela on jumissa, kokeile seuraavia toimenpiteitä:

- Puhdista kelan suojuksen kotelon huolellisesti.
- Irrota kela ja varmista, että jousi on paikallaan.
- Poista kela, pura leikkuulanka kelalta ja kierrä se sitten tasaisesti takaisin aikaisempien ohjeiden mukaisesti. Laita kela takaisin aikaisempien ohjeiden mukaisesti.

### HUOLTO

Verkkohodolla varustettu tai verkkohodoton BLACK+DECKERin laite/työkalu on suunniteltu toimimaan mahdollisimman kauan mahdollisimman vähällä huollolla. Oikealla huollolla ja säännöllisellä puhdistuksella työkalu/laite säilyttää suorituskykynsä.

**VAROITUS!** *Toimi ennen verkkohodolla varustetun tai verkkohodottoman sähkötyökalun huoltoa seuraavasti:*

- Sammuta laite/työkalu ja irrota se verkkovirrasta.
- Jos laitteessa/työkalussa on erillinen akku, sammuta laite/työkalu ja irrota sen akku.
- Jos akku on kiinteä, käytä akku täysin loppuun ja sammuta laite/työkalu sitten.
- Irrota laturi pistorasiasta ennen laturin puhdistamista. Laturi ei tarvitse säännöllisen puhdistamisen lisäksi mitään muuta huoltoa.

- Puhdista työkalun, laitteen ja laturin ilma-aukot säännöllisesti pehmeällä harjalla tai kuivalla kangasliinalla.
- Puhdista moottorikotelo säännöllisesti kostealla liinalla. Älä koskaan käytä puhdistamiseen liuotainaineita tai syövyttäviä puhdistusaineita.

### Ympäristönsuojelu



Erillinen keräys. Tätä tuotetta ei saa hävittää normaalin kotitalousjätteen mukana.

Kun BLACK+DECKER -laitteesi aikanaan täytyy vaihtaa tai ei kelpaa enää käyttöön, älä hävitä laitetta kotitalousjätteen mukana. Toimita laite kierrätettäväksi.



Käytettyjen tuotteiden ja pakkausmateriaalien erilliskeruun avulla materiaalit voidaan kierrättää ja käyttää uudelleen.

Kierrätysmateriaalien käyttö auttaa vähentämään ympäristön saastumista ja uusien raaka-ainesten tarvetta.

Paikallisissa säädöksissä voidaan määrätä, että kodin sähkötuotteiden keruu tapahtuu kaupunkien jätteidenkäsittelyasemilla tai laitteita myyvissä liikkeissä uuden tuotteen oston yhteydessä.

Kun laitteesi on käytetty loppuun, älä hävitä sitä tavallisten roskien mukana, vaan vie se paikkakuntasi kierrätyskeskukseen tai jätä se valtuutettuun BLACK+DECKERin huoltoliikkeeseen.

Saat valtuutettujen huoltoliikkeiden yhteystiedot ottamalla yhteyden BLACK+DECKER Oy:hyn tässä käyttöoppaassa ilmoitetussa osoitteessa. Valtuutettujen BLACK+DECKER -huoltoliikkeiden yhteystiedot sekä lisätietoja palveluistamme ja takuuehdoista on myös Internetissä osoitteessa:

[www.2helpU.com](http://www.2helpU.com).

### Tekniset tiedot

		GL250 Tyyppi 1	GL310 Tyyppi 1	GL360 Tyyppi 1
Tulojännite	V <sub>AC</sub>	230	230	230
Ottoteho	W	250	300	350
Kuormittamaton nopeus	min <sup>-1</sup>	11500	11500	11500
Paino	kg	1,3	1,6	1,6

Käteen kohdistuva painotettu ääriarvo standardin EN50636-2-91:2014 mukaisesti:  
= 7,2 m/s<sup>2</sup>, epätarkkuus (K) = 1,5 m/s<sup>2</sup>.

L<sub>PA</sub> (ääniteho) 80 dB(A)  
epätarkkuus (K) = 1,1 dB(A)

**EY-vaatimustenmukaisuusvakuutus**  
**KONEDIREKTIIVI**  
**ULKOILMAMELUDIREKTIIVI**



**GL250, GL310, GL360 - Trimmeri**

BLACK+DECKER ilmoittaa, että tuotteet, jotka on kuvattu kohdassa **Tekniset tiedot**, täyttävät seuraavien direktiivien vaatimukset:

2006/42/EY, EN60335-1:2012 + A11:2014 + A13:2017 + A1:2019 + A14:2019 + A2:2019, EN50636-2-91:2014.

2000/14/EY, Trimmeri, L < 50 cm, Liite VI,  
DEKRA Testing and Certification GmbH,  
Handwerkstraße 15, 70565 Stuttgart  
Location Certification Body,  
Dinnendahlstr. 9, 44809 Bochum, Tyskland  
Anmält organ nummer: 0158

L<sub>WA</sub> (uppmätt ljudeffektnivå) 93 dB(A)  
epävarmuus (K) = 2,8 dB(A),  
L<sub>WA</sub> (taattu ääniteho) 96 dB(A)

Dessa produkter uppfyller dessutom direktiven 2014/30/EU och 2011/65/EU.

För mer information, var god kontakta BLACK+DECKER på följande adress, eller se handbokens baksida.

Undertecknad är ansvarig för sammanställning av den tekniska filen och gör denna förklaring på BLACK+DECKERs vägnar.

*Patrick Diepenbach*

Patrick Diepenbach  
Pääjohtaja, Benelux  
BLACK+DECKER,  
Egide Walschaertsstraat 14-18  
2800 Mechelen, Belgia  
15.06.2021

### Takuu

BLACK+DECKER takaa, ettei tuotteessa ole materiaali- ja/tai valmistusvikaa silloin, kun se toimitetaan ostajalle. Takuu on lisäys kuluttajan laillisiin oikeuksiin eikä vaikuta niihin. Takuu on voimassa Euroopan unionin jäsenmaissa ja Euroopan vapaakauppa-alueella (EFTA).

Mikäli BLACK+DECKER -tuotteessa ilmenee vika materiaali- ja/ tai valmistusvirheen tai teknisten tietojen epätarkkuuden vuoksi 24 kk:n kuluessa ostopäivästä, BLACK+DECKER takaa vaihtavansa vialliset osat, korjata tuotteet, jotka ovat altistuneet normaaliille kulumiselle, tai vaihtaa tällaiset tuotteet varmistakseen mahdollisimman vähäisen haitan syntyminen asiakkaalle:

- Tuotetta on käytetty kaupallisesti, ammattimaisesti tai vuokraukseen.
- Tuotetta on käytetty tai hoidettu virheellisesti.
- Tuotetta on vahingoitettu vieraalla esineellä tai aineella tai se on ollut onnettomuudessa.
- Jos korjauksia on yritetty joku muu kuin BLACK+DECKERin valtuuttama edustaja tai BLACK+DECKERin henkilökunta.

Edellytyksenä takuun saamiselle on, että ostaja jättää koneen ja ostokuitin jälleenmyyjälle tai valtuutetulle huoltoliikkeelle. Saat valtuutettujen huoltoliikkeiden yhteystiedot ottamalla yhteyden BLACK+DECKER Oy:hyn tässä käyttöoppaassa ilmoitetussa osoitteessa. Valtuutettujen BLACK+DECKER -huoltoliikkeiden yhteystiedot sekä lisätietoja palveluistamme ja takuuehdoista on myös Internetissä osoitteessa: [www.2helpU.com](http://www.2helpU.com).

Voit rekisteröidä uuden BLACK+DECKER -tuotteesi ja tarkastella tietoja uusista tuotteista ja erikoistarjousista verkkosivuiltamme [www.blackanddecker.fi](http://www.blackanddecker.fi). Katso BLACK+DECKER -tavaramerkin ja tuotevalikoimamme lisätiedot osoitteesta [www.blackanddecker.fi](http://www.blackanddecker.fi).

# TRIMMER

## GL250, GL310, GL360

### Ενδεδειγμένη χρήση

Το χορτοκοπτικό GL250, GL310, GL360 της BLACK+DECKER™, είναι σχεδιασμένο για κοπή και φινιρίσμα στις άκρες του γκαζόν και για κοπή χόρτων σε περιορισμένους χώρους. Αυτό το εργαλείο προορίζεται μόνο για ερασιτεχνική χρήση.

### ΟΔΗΓΙΕΣ ΑΣΦΑΛΕΙΑΣ

**▲ ΠΡΟΕΙΔΟΠΟΙΗΣΗ!** Κατά τη χρήση συσκευών που τροφοδοτούνται με ηλεκτρικό ρεύμα, θα πρέπει να λαμβάνονται πάντα οι βασικές προφυλάξεις ασφαλείας, συμπεριλαμβανομένων των παρακάτω, για τον περιορισμό του κινδύνου πυρκαγιάς, ηλεκτροπληξίας, τραυματισμού προσώπων και υλικών ζημιών.

**▲ ΠΡΟΕΙΔΟΠΟΙΗΣΗ!** Κατά τη χρήση του εργαλείου, πρέπει να τηρούνται οι κανόνες ασφαλείας. Για τη δική σας ασφάλεια και των παρευρισκομένων, παρακαλούμε διαβάστε αυτές τις οδηγίες πριν χρησιμοποιήσετε το εργαλείο. Παρακαλούμε φυλάξτε τις οδηγίες σε ασφαλές μέρος για μεταγενέστερη χρήση.

- Διαβάστε προσεκτικά όλο το περιεχόμενο αυτού του εγχειριδίου πριν χρησιμοποιήσετε το εργαλείο σας.
- Η ενδεδειγμένη χρήση περιγράφεται σε αυτό το εγχειρίδιο. Τόσο η χρήση εξαρτημάτων ή προσαρτημάτων όσο και η πραγματοποίηση εργασιών με το εργαλείο που δε συνιστώνται σε αυτό το εγχειρίδιο οδηγούν εγκυμονεί κίνδυνο τραυματισμού.
- Φυλάξτε αυτό το εγχειρίδιο για μελλοντική αναφορά.

### Χρήση του εργαλείου σας

Προσέχετε πάντα όταν χρησιμοποιείτε το εργαλείο.

- Φοράτε πάντα προστατευτικά γυαλιά ασφαλείας.
- Μην αφήνετε ποτέ μικρά παιδιά ή άτομα που δεν γνωρίζουν τις οδηγίες να χρησιμοποιήσουν το εργαλείο.
- Μην αφήνετε παιδιά ή ζώα να πλησιάσουν στο χώρο εργασίας ή να αγγίζουν το εργαλείο ή το καλώδιο τροφοδοσίας.
- Όταν το εργαλείο χρησιμοποιείται κοντά σε παιδιά είναι απαραίτητη η στενή επίτηρηση.
- Αυτό το εργαλείο δεν προορίζεται για χρήση από νεαρά ή αδύναμα άτομα χωρίς επίβλεψη.
- Αυτό το εργαλείο δεν πρέπει να χρησιμοποιείται ως παιχνίδι.
- Χρησιμοποιείτε το εργαλείο μόνο στο φως της ημέρας ή σε καλό τεχνητό φωτισμό.
- Να χρησιμοποιείται μόνο σε χώρους χωρίς υγρασία. Μην αφήνετε να βραχεί το εργαλείο.
- Μην βυθίζετε το εργαλείο μέσα σε νερό.
- Μην ανοίγετε το περιβλήμα του σώματος του εργαλείου. Δεν υπάρχουν εξαρτήματα στο εσωτερικό που να επιδέχονται επισκευή από το χρήστη.
- Μην χρησιμοποιείτε το εργαλείο σε περιβάλλον όπου υπάρχει κίνδυνος έκρηξης, π.χ. παρουσία εύφλεκτων υγρών, αερίων ή σκόνης.
- Για να βγάλετε το φικ από την πρίζα, μην τραβάτε ποτέ το καλώδιο. Έτσι θα αποφύγετε τον κίνδυνο φθοράς του φικ και του καλωδίου.

### Ασφάλεια τρίτων

• Αυτή η συσκευή μπορεί να χρησιμοποιηθεί από παιδιά ηλικίας 8 ετών και άνω καθώς και από άτομα με μειωμένες σωματικές, αισθητηριακές ή διανοητικές ικανότητες ή άτομα χωρίς εμπειρία και γνώσεις. Μόνο εφόσον επιτηρούνται ή τους έχουν δοθεί

οδηγίες σχετικά με την ασφαλή χρήση της συσκευής και έχουν κατανοήσει τους πιθανούς κινδύνους.

- Τα παιδιά δεν πρέπει να παίζουν με τη συσκευή. Ο καθαρισμός και η συντήρηση δεν πρέπει να γίνονται από παιδιά χωρίς επίβλεψη.

### Αναπόφευκτοι κίνδυνοι

Μπορεί να προκληθούν επιπρόσθετοι αναπόφευκτοι κίνδυνοι όταν χρησιμοποιείτε το εργαλείο, οι οποίοι μπορεί να μην συμπεριλαμβάνονται στις προειδοποιήσεις ασφαλείας που εσωκλείονται. Αυτοί οι κίνδυνοι μπορεί να προκληθούν από κακή χρήση, παρατεταμένη χρήση κτλ.

Ακόμα και με την τήρηση των σχετικών κανονισμών ασφαλείας και τη χρήση μέσων προστασίας, ορισμένοι κίνδυνοι δεν είναι δυνατό να εξαλειφθούν. Αυτοί περιλαμβάνουν:

- Τραυματισμούς από το άγγιγμα των περιστρεφόμενων/κινούμενων εξαρτημάτων.
- Τραυματισμούς από αλλαγή οποιωνδήποτε εξαρτημάτων, λεπίδων ή αξεσουάρ.
- Τραυματισμούς από παρατεταμένη χρήση του εργαλείου. Όταν χρησιμοποιείτε οποιοδήποτε εργαλείο για παρατεταμένες χρονικές περιόδους βεβαιωθείτε ότι κάνετε τακτικά διαλείμματα.
- Προβλήματα ακοής.
- Κίνδυνοι στην υγεία που προκαλούνται από την εισπνοή σκόνης όταν χρησιμοποιείτε το εργαλείο (παραδείγμα:- όταν επεξεργάζεστε ξύλο, ειδικά δρυ, οξιά και MDF).

### Μετά τη χρήση

- Όταν δεν χρησιμοποιείται, το εργαλείο πρέπει να φυλάσσεται σε στεγνό, καλά αεριζόμενο χώρο, μακριά από παιδιά.
- Τα παιδιά δεν πρέπει να έχουν πρόσβαση σε αποθηκευμένες συσκευές.
- Όταν το εργαλείο αποθηκεύεται ή μεταφέρεται μέσα σε όχημα πρέπει να τοποθετείται στο χώρο αποσκευών ή να στερεώνεται ώστε να μη μετακινείται σε περίπτωση απότομων μεταβολών της ταχύτητας ή της κατεύθυνσης του οχήματος.

### Έλεγχος και επισκευή

- Πριν από τη χρήση, ελέγξτε το εργαλείο σας για τυχόν χαλασμένα ή ελαττωματικά εξαρτήματα. Ελέγξτε αν υπάρχουν σπασμένα εξαρτήματα και οποιοδήποτε άλλες συνθήκες που θα μπορούσαν να επηρεάσουν τη λειτουργία της.
- Μην χρησιμοποιείτε το εργαλείο, αν κάποιο εξάρτημά του έχει καταστραφεί ή παρουσιάζει ελάττωμα.
- Φροντίστε να γίνει η επισκευή ή η αντικατάσταση των τυχόν ελαττωματικών εξαρτημάτων από εξουσιοδοτημένο κέντρο επισκευών.
- Μην επιχειρήσετε ποτέ να αφαιρέσετε ή να αντικαταστήσετε οποιοδήποτε εξάρτημα, εκτός από αυτά που καθορίζονται σε αυτό το εγχειρίδιο.

### Χρήση καλωδίου προέκτασης

Χρησιμοποιείτε πάντα εγκεκριμένα καλώδια προέκτασης, κατάλληλα για την ισχύ εισόδου αυτής της συσκευής (δείτε **τεχνικά χαρακτηριστικά**). Το καλώδιο προέκτασης πρέπει να είναι κατάλληλο για χρήση σε εξωτερικούς χώρους και να φέρει την αντίστοιχη σήμανση. Μπορείτε να χρησιμοποιήσετε ένα καλώδιο προέκτασης 1,5 mm<sup>2</sup> H05VV-F μήκους έως 30 m, χωρίς απώλειες απόδοσης. Πριν από τη χρήση, ελέγξτε προσεκτικά το

καλώδιο προέκτασης για σημάδια ζημιάς, φθοράς ή παλαιώσης. Αντικαταστήστε το καλώδιο προέκτασης αν παρουσιάσει ζημιά ή ελάττωμα. Όταν χρησιμοποιείτε καρούλι καλώδιου, πάντα να ξετυλίγετε το καλώδιο εντελώς.

## Συμπληρωματικές οδηγίες ασφαλείας για τα χορτοκοπτικά με μακριά λαβή

**▲ ΠΡΟΕΙΔΟΠΟΙΗΣΗ!** Τα εξαρτήματα κοπής συνεχίζουν να περιστρέφονται και μετά την απενεργοποίηση του μοτέρ.

- Εξοικειωθείτε με τα χειριστήρια και τη σωστή χρήση του εργαλείου.
- Πριν από τη χρήση, ελέγξτε προσεκτικά το καλώδιο τροφοδοσίας και το καλώδιο προέκτασης για σημάδια ζημιάς, παλαιώσης ή φθοράς. Εάν κάποιο καλώδιο υποστεί ζημιά κατά τη χρήση, αποσυνδέστε το αμέσως από την πρίζα. ΜΗΝ ΑΓΓΙΣΤΕΤΕ ΤΟ ΚΑΛΩΔΙΟ ΤΡΟΦΟΔΟΣΙΑΣ ΠΡΙΝ ΤΟ ΑΠΟΣΥΝΔΕΣΤΕ ΑΠΟ ΤΗΝ ΠΡΙΖΑ.
- Μην χρησιμοποιείτε το εργαλείο εάν τα καλώδια είναι κατεστραμμένα ή φθαρμένα.
- Φοράτε γερά παπούτσια ή μπότες για να προστατέψετε τα πόδια σας.
- Φοράτε μακρύ παντελόνι για να προστατεύετε τα πόδια σας.
- Πριν χρησιμοποιήσετε το εργαλείο, βεβαιωθείτε ότι στο γκαζόν που θα κόψετε δεν υπάρχουν ξύλα, πέτρες, σύρματα ή άλλα εμπόδια.
- Χρησιμοποιείτε το εργαλείο μόνο σε κατακόρυφη θέση, με τη γραμμή κοπής κοντά στο έδαφος. Ποτέ μην ενεργοποιήσετε το εργαλείο σε οποιαδήποτε άλλη θέση.
- Μετακινήστε αργά κατά τη χρήση του εργαλείου. Έχετε υπόψη σας ότι το φρεσκοκομμένο γρασίδι είναι υγρό και ολισθηρό.
- Μην εργάζεστε σε απότομες κλίσεις. Σε εδάφη με κλίση, να εργάζεστε κατά το πλάτος της κλίσης, όχι προς τα πάνω και κάτω.
- Μην διασχίζετε ποτέ μονοπάτια ή δρόμους με χαλίκι με το εργαλείο σε λειτουργία.
- Μην αγγίζετε ποτέ τη γραμμή κοπής ενώ λειτουργεί το εργαλείο.
- Μην ακουμπήσετε κάτω το εργαλείο προτού η γραμμή κοπής ακινητοποιηθεί εντελώς.
- Χρησιμοποιείτε μόνο τον κατάλληλο τύπο γραμμής κοπής. Μην χρησιμοποιείτε ποτέ μεταλλική γραμμή κοπής ή πετονιά για ψάρεμα.
- Προσέξτε να μην αγγίξετε ποτέ τη λεπίδα κοπής γραμμής.
- Προσέξτε ώστε το καλώδιο ρεύματος να παραμένει μακριά από τη γραμμή κοπής. Γνωρίζετε ανά πάσα στιγμή που βρίσκεται το καλώδιο.
- Κρατάτε πάντοτε τα χέρια και τα πόδια σας μακριά από τη γραμμή κοπής, ειδικά κατά την ενεργοποίηση του μοτέρ.
- Πριν χρησιμοποιήσετε το εργαλείο και μετά από οποιαδήποτε πρόσκρουση, ελέγχετε για σημάδια φθοράς ή ζημιάς και επισκευάστε εάν είναι απαραίτητο.
- Μην χρησιμοποιείτε ποτέ το εργαλείο με ελαττωματικά προστατευτικά ή χωρίς τα προστατευτικά στη θέση τους.
- Προσέξτε να μην τραυματιστείτε από οποιαδήποτε συσκευή έχει τοποθετηθεί για την κοπή της γραμμής νήματος. Μετά το τέντωμα νέας γραμμής κοπής, πάντοτε επαναφέρετε το μηχανήμα στην κανονική του θέση χειρισμού πριν το ενεργοποιήσετε.

- Εξασφαλίστε πάντοτε ότι οι εγκοπές εξαερισμού διατηρούνται καθαρές από υπολείμματα.
- Μην χρησιμοποιήσετε το κοπτικό γκαζόν (κοπτικό άκρων), εάν τα καλώδια είναι κατεστραμμένα ή φθαρμένα.
- Κρατήστε το καλώδιο προέκτασης μακριά από τα εξαρτήματα κοπής.

## Ετικέτες στο εργαλείο

Το εργαλείο φέρει τα παρακάτω προειδοποιητικά σύμβολα μαζί με τον κωδικό ημερομηνίας:



Διαβάστε το εγχειρίδιο οδηγιών πριν από τη λειτουργία.



Φοράτε προστατευτικά γυαλιά όταν χρησιμοποιείτε αυτό το εργαλείο.



Φοράτε ωτασπίδες κατά το χειρισμό του εργαλείου.



Να βγάζετε πάντα το βύσμα από την πρίζα πριν ελέγξετε ένα φθαρμένο καλώδιο. Προσέξτε να μην χρησιμοποιήσετε το χορτοκοπτικό αν το καλώδιο έχει φθαρεί ή καταστραφεί.



Προσέχετε για τυχόν αντικείμενα που εκσφενδονίζονται. Μην αφήνετε να πλησιάσουν άλλα άτομα στην περιοχή κοπής.



Εγγυημένη ηχητική ισχύς κατά την Οδηγία 2000/14/ΕΚ.



Directive 2000/14/EC guaranteed sound power.

## Ασφαλής χρήση ηλεκτρικού ρεύματος



Αυτή η συσκευή φέρει διπλή μόνωση, επομένως δεν απαιτείται σύρμα γείωσης. Ελέγχετε πάντοτε αν η τάση τροφοδοσίας αντιστοιχεί σε αυτήν που αναγράφεται στην πινακίδα τεχνικών χαρακτηριστικών.

- Αν το καλώδιο ρεύματος έχει υποστεί φθορά, η αντικατάστασή του πρέπει να γίνει από τον κατασκευαστή ή από ένα εξουσιοδοτημένο κέντρο της BLACK+DECKER, ώστε να μην αποτελέσει κίνδυνο.
- Η ηλεκτρική ασφάλεια μπορεί να βελτιωθεί ακόμα περισσότερο με τη χρήση μιας Διάταξης Προστασίας Ρεύματος Διαρροής (RCD) 30 mA υψηλής ευαισθησίας.

## Χαρακτηριστικά

Η συσκευή αυτή διαθέτει μερικά ή όλα από τα παρακάτω χαρακτηριστικά:

- 1 Διακόπτης on/off
- 2 Λαβή
- 3 Συγκρατητήρας καλωδίου
- 4 Υποδοχή τροφοδοσίας



- 5 Δεύτερη λαβή
- 6 Προστατευτικό
- 7 Λεπίδα κοπής γραμμής
- 8 Γραμμή κοπής
- 9 Περιβλήμα καρουλιού
- 10 Κεφαλή

## ΣΥΝΑΡΜΟΛΟΓΗΣΗ

**▲ ΠΡΟΕΙΔΟΠΟΙΗΣΗ!** Πριν από τη συναρμολόγηση, βεβαιωθείτε ότι το εργαλείο είναι απενεργοποιημένο και ότι το φως δεν είναι στην πρίζα.

### Τοποθέτηση της δεύτερης λαβής (εικ. [Fig.] B) GL310 & GL360 μόνο

- Περάστε τη δεύτερη λαβή **5** στην κύρια λαβή **2** προς τα πάνω.
- Ασφαλίστε τη δεύτερη λαβή στη θέση της με τις δύο βίδες **19** που παρέχονται.

### Τοποθέτηση του προστατευτικού (εικ. C)

#### Τοποθετήστε το προστατευτικό στο εργαλείο όπως εικονίζεται.

- Πιέστε γερά το προστατευτικό **6** μέχρι να κουμπώσει στη θέση του.
- Ασφαλίστε το προστατευτικό με τη βίδα **11**.

**▲ ΠΡΟΕΙΔΟΠΟΙΗΣΗ!** Ποτέ μην χρησιμοποιείτε το εργαλείο εάν δεν έχει τοποθετηθεί σωστά το προστατευτικό.

### Απελευθέρωση της γραμμής κοπής

Κατά τη μεταφορά, η γραμμή κοπής είναι κολλημένη με ταινία στο περίβλημα του καρουλιού.

- Αφαιρέστε την ταινία που συγκρατεί τη γραμμή κοπής **8** στο περίβλημα του καρουλιού **9**.

### Σύνδεση του εργαλείου στο δίκτυο ηλεκτρικής τροφοδοσίας (εικ. D)

- Συνδέστε το θηλυκό βύσμα ενός κατάλληλου καλωδίου προέκτασης στην υποδοχή εισόδου τροφοδοσίας **4**.
- Περάστε σε θηλιά το καλώδιο από το συγκρατητήρα καλωδίου **3**.
- Συνδέστε το βύσμα ρεύματος στην πρίζα.

Για καλωδιωμένες μονάδες: Βεβαιωθείτε ότι το καλώδιο έχει περαστεί μέσα από το συγκρατητήρα καλωδίου πριν συνδέσετε το φως στην πρίζα του δικτύου ηλεκτρικής τροφοδοσίας.

**▲ ΠΡΟΕΙΔΟΠΟΙΗΣΗ!** Το καλώδιο προέκτασης πρέπει να είναι κατάλληλο για χρήση σε εξωτερικούς χώρους.

## ΧΡΗΣΗ

**▲ ΠΡΟΕΙΔΟΠΟΙΗΣΗ!** Αφήστε το εργαλείο να λειτουργήσει με το δικό του ρυθμό. Μην το υπερφορτώνετε.

### Ενεργοποίηση και απενεργοποίηση του εργαλείου (εικ. A)

- Για να ενεργοποιήσετε το εργαλείο, πιέστε το μοχλό-σκανδάλη **1**.
- Για να απενεργοποιήσετε το εργαλείο, απελευθερώστε το μοχλό-σκανδάλη.

**▲ ΠΡΟΕΙΔΟΠΟΙΗΣΗ!** Μην επιχειρήσετε ποτέ να ασφαλίσετε το μοχλό-σκανδάλη στη θέση ενεργοποίησης (ON).

## ΣΥΜΒΟΥΛΕΣ ΓΙΑ ΑΡΙΣΤΗ ΧΡΗΣΗ

### Γενικά

- Για καλύτερα αποτελέσματα κοπής, κόβετε μόνο στεγνό γρασίδι.

### Κόψιμο (εικ. E)

- Κρατάτε το εργαλείο όπως υποδεικνύεται στην εικ. E.
- Κινήστε το χορτοκοπτικό απαλά, παλινδρομικά από πλευρά σε πλευρά.
- Όταν κόβετε ψηλά χόρτα, εργαστείτε σταδιακά από την κορυφή προς τα κάτω. Πραγματοποιήστε μικρές κοπές.
- Κρατήστε το εργαλείο μακριά από σκληρά αντικείμενα και ευαίσθητα φυτά.
- Η γραμμή κοπής θα φθαρεί ταχύτερα και θα χρειάζεται περισσότερη ανανέωση, εάν η κοπή γίνεται κατά μήκος πεζοδρομίων ή άλλων σκληρών επιφανειών ή εάν κόβονται μεγαλύτερα ζιζάνια.
- Καθώς χρησιμοποιείτε το χορτοκοπτικό, το νήμα θα κονταίνει λόγω φθοράς. Κτυπήστε απαλά τη συσκευή στο έδαφος ενώ λειτουργεί και η γραμμή θα ανανεωθεί.
- Εάν το εργαλείο αρχίσει να λειτουργεί πιο αργά, μειώστε το φορτίο.

### Τοποθέτηση νέου καρουλιού γραμμής κοπής (εικ. A, F, G)

Ανταλλακτικά καρούλια γραμμής κοπής διατίθενται από τα εμπορικά σημεία πώλησης προϊόντων BLACK+DECKER (κατ. αριθ. A6226).

- Κρατήστε τις γλωττίδες **12** πιεσμένες και αφαιρέστε το κάλυμμα του καρουλιού **13** από το περίβλημα **9**.
- Αφαιρέστε το άδαιο καρούλι **14** από το περίβλημα του καρουλιού.
- Αφαιρέστε τυχόν βρωμιές και χόρτα από το κάλυμμα και από το περίβλημα του καρουλιού.
- Πάρτε το καινούριο καρούλι και ξετυλίξτε περίπου 10 cm από τη γραμμή κοπής.
- Περάστε τη γραμμή κοπής μέσα από την οπή **15**.
- Πιέστε το καρούλι επάνω στον άξονα μετάδοσης κίνησης **16** και περιστρέψτε το ελαφρά μέχρι να εδραστεί. Βεβαιωθείτε ότι η γραμμή κοπής δεν είναι μαγκωμένη κάτω από το καρούλι και ότι 10 cm από τη γραμμή κοπής εξέρχουν από το περίβλημα.
- Ευθυγραμμίστε τις γλωττίδες **12** στο κάλυμμα του καρουλιού με τις οπές στο περίβλημα **15**.
- Πιέστε το κάλυμμα μέσα στο περίβλημα μέχρι να κουμπώσει καλά στη θέση του.

**▲ ΠΡΟΕΙΔΟΠΟΙΗΣΗ!** Εάν η γραμμή κοπής προεξέχει πέρα από τη λεπίδα κοπής **7**, κόψτε την έτσι ώστε μόλις να φτάνει στη λεπίδα.

### Τύλιγμα νέας γραμμής κοπής σε άδαιο καρούλι (εικ. H–J)

Μπορείτε να τυλίξετε μια νέα γραμμή κοπής σε ένα άδαιο καρούλι.

Ανταλλακτικές συσκευασίες γραμμής κοπής διατίθενται από τα εμπορικά σημεία πώλησης προϊόντων BLACK+DECKER [κατ. αριθ. A6170 (25 m), A6046 (37,5 m) & A6171 (40 m)].

- Αφαιρέστε το άδαιο καρούλι από το εργαλείο όπως περιγράφεται παραπάνω.
- Αφαιρέστε τυχόν γραμμή κοπής που παραμένει στο καρούλι.
- Περάστε 2 cm γραμμής κοπής σε μια από τις οπές **17** στο καρούλι όπως εικονίζεται.

- Τυλίξτε τη γραμμή κοπής στο καρούλι προς την κατεύθυνση του βέλους **18**. Βεβαιωθείτε ότι τυλίγεται τη γραμμή με τάξη και σε στρώσεις. Μην τη διασταυρώνετε.
- Αφήστε τη γραμμή να προεξέχει περίπου 10 cm από το καρούλι και πιέστε με ένα δάκτυλο τη γραμμή για να παραμείνει στη θέση της.

- Προχωρήστε όπως περιγράφεται παραπάνω για την τοποθέτηση του καρουλιού στο εργαλείο.

**▲ ΠΡΟΕΙΔΟΠΟΙΗΣΗ!** Χρησιμοποιείτε μόνο τον κατάλληλο τύπο γραμμής κοπής της BLACK+DECKER.

### Αντικατάσταση του ρευματολήπτη (H.B. & Ιρλανδία μόνο)

Αν χρειαστεί να εγκαταστήσετε έναν καινούριο ρευματολήπτη (φίς):

- Απορρίψτε με ασφαλή τρόπο το παλιό φίς.
- Συνδέστε τον καφέ αγωγό στον ηλεκτροφόρο ακροδέκτη του νέου ρευματολήπτη.
- Συνδέστε τον μπλε αγωγό στον ουδέτερο ακροδέκτη.

**▲ ΠΡΟΕΙΔΟΠΟΙΗΣΗ!** Δε χρειάζεται καμία σύνδεση στον ακροδέκτη γείωσης. Ακολουθήστε τις οδηγίες τοποθέτησης που παρέχονται με τους καλής ποιότητας ρευματολήπτες (φίς). Προτεινόμενη ασφάλεια τήξης: 5 A.

### ΑΝΤΙΜΕΤΩΠΙΣΗ ΠΡΟΒΛΗΜΑΤΩΝ

Σε περίπτωση που το εργαλείο σας δεν φαίνεται να λειτουργεί σωστά, ακολουθήστε τις παρακάτω οδηγίες. Αν αυτό δεν σας βοηθήσει να επιλύσετε το πρόβλημα, παρακαλείστε να επικοινωνήσετε με το πλησιέστερο κέντρο επισκευών της BLACK+DECKER.

**▲ ΠΡΟΕΙΔΟΠΟΙΗΣΗ!** Πριν προχωρήσετε, αποσυνδέστε το εργαλείο από την πρίζα.

### H συσκευή λειτουργεί αργά

- Ελέγξτε ότι το περίβλημα του καρουλιού μπορεί να περιστρέφεται ελεύθερα. Καθαρίστε το προσεκτικά, εάν χρειάζεται.
- Ελέγξτε ότι η γραμμή κοπής δεν προεξέχει περισσότερο από 11 cm από το περίβλημα του καρουλιού. Εάν προεξέχει, κόψτε την ώστε μόλις να φτάνει στη λεπίδα κοπής.

### Εάν η ανανέωση με το κτύπημα δεν λειτουργεί

- Κρατήστε τις γλωττίδες πιεσμένες και αφαιρέστε το κάλυμμα του καρουλιού από το περίβλημα.
- Τραβήξτε τη γραμμή κοπής μέχρι να προεξέχει 11 cm από το περίβλημα. Εάν έχει μείνει ανεπαρκές μήκος γραμμής κοπής στο καρούλι, τοποθετήστε ένα νέο καρούλι γραμμής κοπής σύμφωνα με τις παραπάνω οδηγίες.
- Ευθυγραμμίστε τις γλωττίδες στο κάλυμμα του καρουλιού με τις εγκοπές στο περίβλημα.
- Πιέστε το κάλυμμα μέσα στο περίβλημα μέχρι να κουμπώσει καλά στη θέση του.
- Εάν η γραμμή κοπής προεξέχει πέρα από τη λεπίδα κοπής, κόψτε την έτσι ώστε μόλις να φτάνει στη λεπίδα.

Εάν η ανανέωση με το κτύπημα εξακολουθεί να μην λειτουργεί ή εάν το καρούλι έχει φρακάρει, δοκιμάστε τις παρακάτω υποδείξεις:

- Καθαρίστε προσεκτικά το κάλυμμα του καρουλιού και το περίβλημα.
- Αφαιρέστε το καρούλι και ελέγξτε ότι το ελατήριο είναι στη θέση του.

- Αφαιρέστε το καρούλι και ξετυλίξτε τη γραμμή κοπής και, στη συνέχεια, τυλίξτε την και πάλι με τάξη όπως περιγράφεται παραπάνω. Αντικαταστήστε το καρούλι σύμφωνα με τις οδηγίες.

### ΣΥΝΤΗΡΗΣΗ

Αυτή η συσκευή/εργαλείο με καλώδιο/χωρίς καλώδιο της BLACK+DECKER έχει σχεδιαστεί έτσι ώστε να λειτουργεί για μεγάλο χρονικό διάστημα με την ελάχιστη δυνατή συντήρηση. Η αδιάλειπτη και ικανοποιητική λειτουργία του εργαλείου/συσκευής εξαρτάται από τη φροντίδα και τον τακτικό καθαρισμό του.

**▲ ΠΡΟΕΙΔΟΠΟΙΗΣΗ!** Πριν πραγματοποιήσετε οποιαδήποτε συντήρηση σε ηλεκτρικά εργαλεία με καλώδιο/χωρίς καλώδιο:

- Απενεργοποιήστε και αποσυνδέστε τη συσκευή/εργαλείο από την πρίζα.
- Η απενεργοποίησή και αφαιρέστε την μπαταρία από τη συσκευή/εργαλείο εάν η συσκευή/εργαλείο διαθέτει ξεχωριστή μπαταρία.
- Η χρησιμοποιήστε την μπαταρία μέχρι να αδειάσει εντελώς και στη συνέχεια απενεργοποιήστε.
- Πριν καθαρίσετε το φορτιστή, αποσυνδέστε τον από την πρίζα. Ο φορτιστής σας δεν απαιτεί άλλη συντήρηση εκτός του τακτικού καθαρισμού.
- Να καθαρίζετε τακτικά τις εγκοπές εξερισμού του εργαλείου/συσκευής και του φορτιστή με μια μαλακή βούρτσα ή ένα στεγνό πανί.
- Να καθαρίζετε τακτικά το περίβλημα του μοτέρ με ένα υγρό πανί. Μην χρησιμοποιείτε λειαντικά υγρά καθαρισμού ή υγρά καθαρισμού που περιέχουν διαλυτικά.

### Προστασία του περιβάλλοντος



Ξεχωριστή περισυλλογή. Αυτό το προϊόν δεν πρέπει να απορριπτείται μαζί με τα κοινά οικιακά απορρίμματα

Εάν κάποια μέρα διαπιστώσετε ότι το προϊόν σας **BLACK+DECKER** χρειάζεται αντικατάσταση ή ότι δεν το χρειάζεστε άλλο, μην το απορρίψετε μαζί με τα κοινά οικιακά απορρίμματα αλλά διαθέστε αυτό το προϊόν για ξεχωριστή περισυλλογή.



Η ξεχωριστή περισυλλογή των μεταχειρισμένων προϊόντων και των υλικών συσκευασίας επιτρέπει την ανακύκλωση και επαναχρησιμοποίηση των υλικών.

Με την επαναχρησιμοποίηση των ανακυκλωμένων υλικών αποτρέπεται η μόλυνση του περιβάλλοντος και μειώνεται η ζήτηση πρώτων υλών.

Οι κανονισμοί που ισχύουν στην περιοχή σας ενδέχεται να προβλέπουν την ξεχωριστή περισυλλογή των ηλεκτρικών συσκευών που προέρχονται από νοικοκυριά σε δημοτικές εγκαταστάσεις ή από τον έμπορο όταν αγοράσετε ένα καινούργιο προϊόν.

Η BLACK+DECKER δίνει τη δυνατότητα ανακύκλωσης των προϊόντων της που έχουν συμπληρώσει τη διάρκεια ζωής τους. Για να χρησιμοποιήσετε αυτήν την υπηρεσία, επιστρέψτε το προϊόν σας σε οποιοδήποτε εξουσιοδοτημένο κέντρο επισκευών, όπου θα το παραλάβουν εκ μέρους μας.

Ενημερωθείτε για το πλησιέστερο εξουσιοδοτημένο κέντρο επισκευών της περιοχής σας, επικοινωνώντας με τα γραφεία της BLACK+DECKER στη διεύθυνση που αναγράφεται στο εγχειρίδιο. Επίσης, μια λίστα με τα εξουσιοδοτημένα κέντρα επισκευών της BLACK+DECKER και πλήρεις λεπτομέρειες για τις υπηρεσίες που παρέχονται μετά την πώληση καθώς και στοιχεία επικοινωνίας υπάρχουν στο Διαδίκτυο, στη διεύθυνση: [www.2helpU.com](http://www.2helpU.com).

## Τεχνικά χαρακτηριστικά

		GL250 Τύπος 1	GL310 Τύπος 1	GL360 Τύπος 1
Τάση εισόδου	V <sub>AC</sub>	230	230	230
Ισχύς εισόδου	W	250	300	350
Ταχύτητα χωρίς φορτίο	min <sup>-1</sup>	11500	11500	11500
Βάρος	kg	1,3	1,6	1,6

Τιμή χειροβραχιονικής δόνησης σύμφωνα με  
το πρότυπο EN 786:  
= 7,2 m/s<sup>2</sup>, αβεβαιότητα (K) = 1,5 m/s<sup>2</sup>.

L<sub>PA</sub> (ηχητική ισχύς) 80 dB(A)  
αβεβαιότητα (K) = 1,1 dB(A)

### Δήλωση συμμόρφωσης ΕΚ ΟΔΗΓΙΑ ΠΕΡΙ ΜΗΧΑΝΗΜΑΤΩΝ ΟΔΗΓΙΑ ΓΙΑ ΘΟΡΥΒΟΥΣ ΣΕ ΕΞΩΤΕΡΙΚΟΥΣ ΧΩΡΟΥΣ



#### GL250, GL310, GL360 - Χορτοκοπτικό

Η BLACK+DECKER δηλώνει ότι τα προϊόντα αυτά που περιγράφονται στα "τεχνικά χαρακτηριστικά" συμμορφώνονται με τα ακόλουθα:

2006/42/EK, EN60335-1:2012 + A11:2014 + A13:2017 + A1:2019  
+ A14:2019 + A2:2019, EN50636-2-91:2014.

2000/14/EK, Χορτοκοπτικό, L < 50cm, Παράρτημα VI,

DEKRA Testing and Certification GmbH,  
Handwerkstraße 15, 70565 Stuttgart

Τοποθεσία κοινοποιημένου φορέα,  
Dinnendahlstr. 9, 44809 Bochum, Germany (Γερμανία)

Αριθμός κοινοποιημένου φορέα: 0158

L<sub>WA</sub> (μετρούμενη ηχητική ισχύς) 93 dB(A)  
αβεβαιότητα (K) = 2,8 dB(A),

L<sub>WA</sub> (εγγυημένη ηχητική ισχύς) 96 dB(A)

Αυτά τα προϊόντα συμμορφώνονται επίσης με την Οδηγία  
2014/30/EE και 2011/65/EE.

Για περισσότερες πληροφορίες, παρακαλείσθε να  
επικοινωνήσετε με την BLACK+DECKER στην παρακάτω  
διεύθυνση ή να ανατρέξετε στο πίσω μέρος του χειριδίου.

Ο κάτωθι υπογεγραμμένος είναι υπεύθυνος για την κατάρτιση  
του τεχνικού φακέλου και δηλώνει τα παρόντα εκ μέρους της  
BLACK+DECKER.

*Patrick Diepenbach*

Patrick Diepenbach  
Γενικός Διευθυντής, Μπενελούξ  
BLACK+DECKER,  
Egide Walschaertsstraat 14-18

2800 Mechelen, Belgium (Βέλγιο)  
15.06.2021

### Εγγύηση

Η BLACK+DECKER είναι σίγουρη για την ποιότητα των προϊόντων της και παρέχει μια εξαιρετική εγγύηση. Η παρούσα γραπτή εγγύηση αποτελεί πρόσθετο δικαίωμά σας και δεν ζημιώνει τα νόμιμα δικαιώματά σας. Η εγγύηση ισχύει εντός της επικράτειας των Κρατών Μελών της Ευρωπαϊκής Ένωσης και της Ευρωπαϊκής Ζώνης Ελευθέρων Συναλλαγών.

Σε περίπτωση που κάποιο προϊόν της BLACK+DECKER παρουσιάσει βλάβη εξαιτίας ελαττωματικών υλικών, ποιότητας εργασίας ή ασυμφωνίας με τις προδιαγραφές εντός 24 μηνών από την ημερομηνία αγοράς, η BLACK+DECKER εγγυάται την αντικατάσταση των ελαττωματικών τμημάτων, την επισκευή προϊόντων που έχουν υποστεί εύλογη φθορά λόγω χρήσης ή την αντικατάσταση των προϊόντων προκειμένου να εξασφαλίσει την ελάχιστη ενόχληση στους πελάτες της, εκτός εάν:

- Το προϊόν έχει χρησιμοποιηθεί σε εργασιακό, επαγγελματικό περιβάλλον ή έχει ενοικιαστεί.
- Έχει γίνει εσφαλμένη χρήση του προϊόντος ή έχει παραμεληθεί.
- Το προϊόν έχει υποστεί βλάβη από άλλα αντικείμενα, από ουσίες ή λόγω ατυχήματος.
- Έχει γίνει προσπάθεια επισκευής από μη εξουσιοδοτημένα κέντρα επισκευών ή από προσωπικό που δεν ανήκει στο προσωπικό της BLACK+DECKER.

Για να ισχύσει η εγγύηση, πρέπει να υποβάλετε απόδειξη αγοράς στον πωλητή ή το εξουσιοδοτημένο κέντρο επισκευών. Ενημερωθείτε για το πλησιέστερο εξουσιοδοτημένο κέντρο επισκευών της περιοχής σας, επικοινωνώντας με τα γραφεία της BLACK+DECKER στη διεύθυνση που αναγράφεται στο χειριδίο. Επίσης, μια λίστα με τα εξουσιοδοτημένα κέντρα επισκευών της BLACK+DECKER και πλήρεις λεπτομέρειες για τις υπηρεσίες που παρέχονται μετά την πώληση καθώς και στοιχεία επικοινωνίας υπάρχουν στο Διαδίκτυο, στη διεύθυνση: [www.2helpU.com](http://www.2helpU.com).

Παρακαλούμε επισκεφθείτε την ιστοσελίδα μας [www.blackanddecker.eu](http://www.blackanddecker.eu) για να καταχωρήσετε το νέο σας προϊόν BLACK+DECKER και για να ενημερώνεστε για τα νέα προϊόντα και τις ειδικές προσφορές. Περισσότερες πληροφορίες σχετικά με τη μάρκα BLACK+DECKER και τη σειρά των προϊόντων μας θα βρείτε στη διεύθυνση: [www.blackanddecker.eu](http://www.blackanddecker.eu).

<b>Australia &amp; New Zealand</b> www.blackanddecker.com.au www.blackanddecker.co.nz	Australia & New Zealand Stanley Black & Decker 810 Whitehorse Road Box Hill VIC 3128, Australia	Tel. 1800 338 002 (Aust) Tel. 0800 339 258 (NZ)
<b>België/Belgique/Luxembourg</b> www.blackanddecker.be enduser.be@sbdinc.com	Stanley Black & Decker Belgium BVBA Egide Walschaertsstraat 16 2800 Mechelen	Tel. NL +32 15 47 37 65 Tel. FR +32 15 47 37 66 Fax +32 15 47 37 99
<b>Danmark</b>	Black & Decker Roskildevej 22 2620 Albertslund	kundeservice.dk@sbdinc.com www.blackanddecker.dk
<b>Deutschland</b> www.blackanddecker.de infobfge@sbdinc.com	Stanley Black & Decker Deutschland GmbH Richard-Klinger-Strasse 11 65510 Idstein, Deutschland	Tel. 06126 21-0 Fax 06126 21-2980
<b>Ελλάδα</b> www.blackanddecker.gr greece.service@sbdinc.com <b>SERVICE:</b>	Stanley Black & Decker (ΕΛΛΑΣ) Ε.Π.Ε ΓΡΑΦΕΙΑΣ Τρόβωνος 7 & Βουλιαγμένης 166 74 Γλυφάδα - Αθήνα Ημερος Τόπος 2 - Χάνι Αδάμ 193 00 Ασπρόπυργος - Αθήνα	Τηλ. 210-8981616 Φαξ 210-8983570  Τηλ. Service 210-8985208 Φαξ 210-5597598
<b>España</b> www.blackanddecker.es respuesta.posventa@sbdinc.com	Stanley Black & Decker Ibérica, S.C.A. Parc de Negocis "Mas Blau" Edificio Muntadas, c/Bergadá, 1, Of. A6 08820 El Prat de Llobregat (Barcelona)	Tel. 934 797 400 Fax 934 797 419
<b>France</b> www.blackanddecker.fr	Black & Decker (France) S.A.S. 5 allée des Hêtres B.P. 30084 69579 Limonest Cédex	Tel. 04 72 20 39 20 Fax 04 72 20 39 00
<b>Helvetia</b> www.blackanddecker.ch service@rofoag.ch	ROFO AG Gewerbezone Seeblick 3213 Kleinbösingen	Tel. 026-6749393 Fax 026-6749394
<b>Italia</b> www.blackanddecker.it service.italia@sbdinc.com	Stanley Black & Decker Italia Via Energypark 6 20871 Vimercate (MB)	Tel. 039-9590200 Fax 039-9590313 Numero verde 800-213935
<b>Nederland</b> www.blackanddecker.nl enduser.nl@sbdinc.com	Stanley Black & Decker Netherlands BV Holtum Noordweg 35, 6121 RE BORN Postbus 83, 6120 AB BORN	Tel. +31 164 283 065 Fax +31 164 283 200
<b>Norge</b>	Black & Decker Postboks 4613, Nydalen 0405 Oslo	kundeservice.no@sbdinc.com www.blackanddecker.no
<b>Österreich</b> www.blackanddecker.at service.austria@sbdinc.com	Stanley Black & Decker Austria GmbH Oberlaaerstraße 248, A-1230 Wien	Tel. 01 66116-0 Fax 01 66116-614
<b>Portugal</b> www.blackanddecker.pt resposta.posventa@sbdinc.com	Black & Decker Limited SARL Quinta da Fonte - Edifício Q55 D. Diniz Rua dos Malhões, 2 e 2A - Piso 2 Esquerdo 2770 - 071 Paço de Arcos	Tel. 214667500 Fax 214667580
<b>Suomi</b>	Black & Decker PL47 00521, Helsinki	asiakaspalvelu.fi@sbdinc.com www.blackanddecker.fi
<b>Sverige</b>	Black & Decker AB Box 94, 431 22 Mölndal	kundeservice.se@sbdinc.com www.blackanddecker.se
<b>Türkiye</b> tr.blackanddecker.global info-tr@sbdinc.com	Stanley Black & Decker Turkey Alet Üretim Tic. Ltd.Şti. İçerenköy Mahallesi Umur Sokak No: 10-12 / 82-83-84 Kat: 19 Ataşehir-İstanbul, Türkiye	Tel. +90 216 665 2900 Faks: +90 216 665 2901
<b>United Kingdom &amp; Republic Of Ireland</b> www.blackanddecker.co.uk emeaservice@sbdinc.com	Black & Decker Meadowfield Avenue, Spennymoor DL16 6YJ, England	Tel. 01753 511234 Fax 01753 512365
<b>Middle East &amp; Africa</b> www.blackanddecker.ae service.meaf@sbdinc.com	Black & Decker P.O. Box - 17164 Jebel Ali Free Zone (South), Dubai, UAE	Tel. +971 4 8863030 Fax +971 4 8863333